

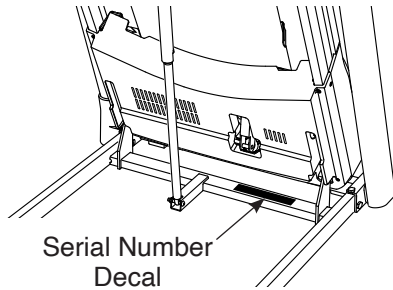
# PRO-FORM<sup>®</sup>

## SPORT 5.5

Model No. PFTL50921-INT.0

Serial No. \_\_\_\_\_

Write the serial number in the space above for reference.



## USER'S MANUAL

### MEMBER CARE

#### UNITED KINGDOM

Call: 0330 123 1045

From Ireland: 053 92 36102

Website: [iconsupport.eu](http://iconsupport.eu)

E-mail: [csuk@iconeurope.com](mailto:csuk@iconeurope.com)

**Write:**

ICON Health & Fitness, Ltd.

Unit 4, Westgate Court

Silkwood Park

OSSETT

WF5 9TT

UNITED KINGDOM

#### AUSTRALIA

Call: 1800 993 770

E-mail: [australiacc@iconfitness.com](mailto:australiacc@iconfitness.com)

**Write:**

ICON Health & Fitness, Inc.

PO Box 635

WINSTON HILLS NSW 2153

AUSTRALIA



### CAUTION

Read all precautions and instructions in this manual before using this equipment. Save this manual for future reference.

# TABLE OF CONTENTS

WARNING DECAL PLACEMENT ..... 2

IMPORTANT PRECAUTIONS ..... 3

BEFORE YOU BEGIN ..... 5

PART IDENTIFICATION CHART ..... 6

ASSEMBLY ..... 7

HOW TO USE THE TREADMILL ..... 17

HOW TO FOLD AND MOVE THE TREADMILL ..... 26

MAINTENANCE AND TROUBLESHOOTING ..... 27

EXERCISE GUIDELINES ..... 30

PART LIST ..... 34

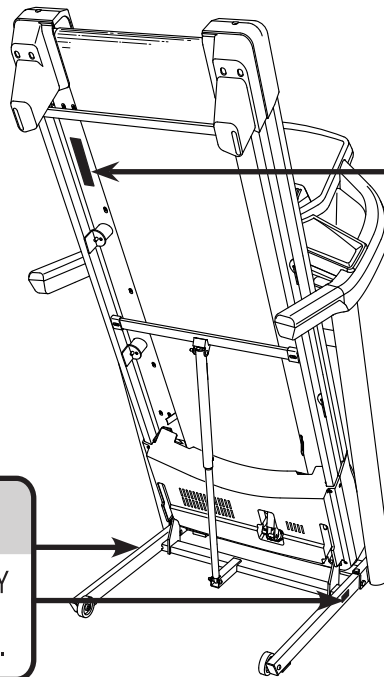
EXPLODED DRAWING ..... 36

ORDERING REPLACEMENT PARTS ..... Back Cover

RECYCLING INFORMATION ..... Back Cover




## WARNING DECAL PLACEMENT

This drawing shows the locations of the warning decals. **If a decal is missing or illegible, call the telephone number on the front cover of this manual and request a free replacement decal. Apply the decal in the location shown.**  
 Note: The decals may not be shown at actual size.



**⚠ WARNING:**

Protect yourself and others from risk of serious injury. Read the user's manual, and:

-  Stand only on the side rails when starting or stopping treadmill.
- Change speed in small increments.
- Hold handrails to prevent falling, and always wear the safety clip while operating the treadmill.
- Stop if you feel faint, dizzy, or short of breath.
- Fully engage the storage latch before the treadmill is moved or stored.
- Incline should be set to zero before folding the treadmill into a storage position.
- Never allow children on or around the treadmill.
-  Remove the safety key when treadmill is not in use.
- Keep clothing, fingers, and hair away from moving parts.
- Never try to adjust or fix the belt while it is moving.
-  Always wear athletic shoes while operating the treadmill.

PROFORM and IFIT are registered trademarks of ICON Health & Fitness, Inc. App Store is a trademark of Apple Inc., registered in the U.S. and other countries. Android and Google Play are trademarks of Google LLC. The Bluetooth word mark and logos are registered trademarks of Bluetooth SIG, Inc. and are used under license. IOS is a trademark or registered trademark of Cisco in the U.S. and other countries and is used under license.

# IMPORTANT PRECAUTIONS

**⚠️ WARNING:** To reduce the risk of burns, fire, electric shock, or injury to persons, read all important precautions and instructions in this manual and all warnings on your treadmill before using your treadmill. ICON assumes no responsibility for personal injury or property damage sustained by or through the use of this product.

1. It is the responsibility of the owner to ensure that all users of the treadmill are adequately informed of all warnings and precautions.
2. Keep children under age 16 and pets away from the treadmill at all times.
3. Consult your health care provider before beginning any exercise program. This is especially important for persons over age 35 or persons with pre-existing health problems.
4. Consult your health care provider before beginning or continuing any exercise program during pregnancy. Use the treadmill only as authorized by your health care provider.
5. The treadmill is not intended for use by persons with reduced physical, sensory, or mental capabilities or lack of experience and knowledge, unless they have been given supervision or instruction concerning use of the treadmill by someone responsible for their safety.
6. Use the treadmill only as described in this manual.
7. The treadmill is intended for home use only. Do not use the treadmill in any commercial, rental, or institutional setting.
8. Keep the treadmill indoors, away from moisture and dust. Do not put the treadmill in a garage or covered patio, or near water.
9. Place the treadmill on a level surface, with at least 8 ft. (2.4 m) of clearance behind it and 2 ft. (0.6 m) on each side. Do not place the treadmill on any surface that blocks air openings. To protect the floor or carpet from damage, place a mat under the treadmill.
10. Do not operate the treadmill where aerosol products are used or where oxygen is being administered.
11. The treadmill should be used only by persons weighing 300 lbs. (136 kg) or less.
12. Never allow more than one person on the treadmill at a time.
13. Wear appropriate exercise clothes while using the treadmill. Do not wear loose clothes that could become caught in the treadmill. Athletic support clothes are recommended for both men and women. *Always wear athletic shoes. Never use the treadmill with bare feet, wearing only stockings, or in sandals.*
14. When connecting the power cord (see page 17), plug the power cord into an earthed circuit. No other appliance should be on the same circuit. When replacing the fuse in the power cord adapter, insert an ASTA-approved BS1362, 13-amp fuse into the fuse carrier.
15. If an extension cord is needed, use only a 3-conductor, 14-gauge (2 mm<sup>2</sup>) cord that is no longer than 5 ft. (1.5 m).
16. Keep the power cord away from heated surfaces.
17. Never move the walking belt while the power is turned off. Do not operate the treadmill if the power cord or plug is damaged, or if the treadmill is not working properly. (See MAINTENANCE AND TROUBLESHOOTING on page 27 if the treadmill is not working properly.)
18. Read, understand, and test the emergency stop procedure before using the treadmill (see HOW TO TURN ON THE POWER on page 19). Always wear the clip while using the treadmill.
19. Be careful when mounting and dismounting the treadmill. Always stand on the foot rails when starting or stopping the walking belt. Always hold the handrails while using the treadmill.

20. When a person is walking on the treadmill, the noise level of the treadmill will increase.
21. Keep fingers, hair, and clothing away from the moving walking belt.
22. The treadmill is capable of high speeds. Adjust the speed in small increments to avoid sudden jumps in speed.
23. Never leave the treadmill unattended while it is running. Always remove the key, press the power switch into the off position (see the drawing on page 5 for the location of the power switch), and unplug the power cord when the treadmill is not in use.
24. Do not attempt to move the treadmill until it is properly assembled. (See ASSEMBLY on page 7 and HOW TO FOLD AND MOVE THE TREADMILL on page 26.) You must be able to safely lift 45 lbs. (20 kg) to move the treadmill.
25. When folding or moving the treadmill, make sure that the storage latch is holding the frame securely in the storage position. Do not operate the treadmill while it is folded.
26. Do not change the incline of the treadmill by placing objects under the treadmill.
27. Never insert any object into any opening on the treadmill.
28. Inspect and properly tighten all parts each time the treadmill is used. Replace any worn parts immediately. Use only manufacturer-supplied parts.
29. **DANGER:** Always unplug the power cord immediately after use, before cleaning the treadmill, and before performing the maintenance and adjustment procedures described in this manual. Never remove the motor hood unless instructed to do so by an authorized service representative. Servicing other than the procedures in this manual should be performed by an authorized service representative only.
30. Over exercising may result in serious injury or death. If you feel faint, if you become short of breath, or if you experience pain while exercising, stop immediately and cool down.

**SAVE THESE INSTRUCTIONS**

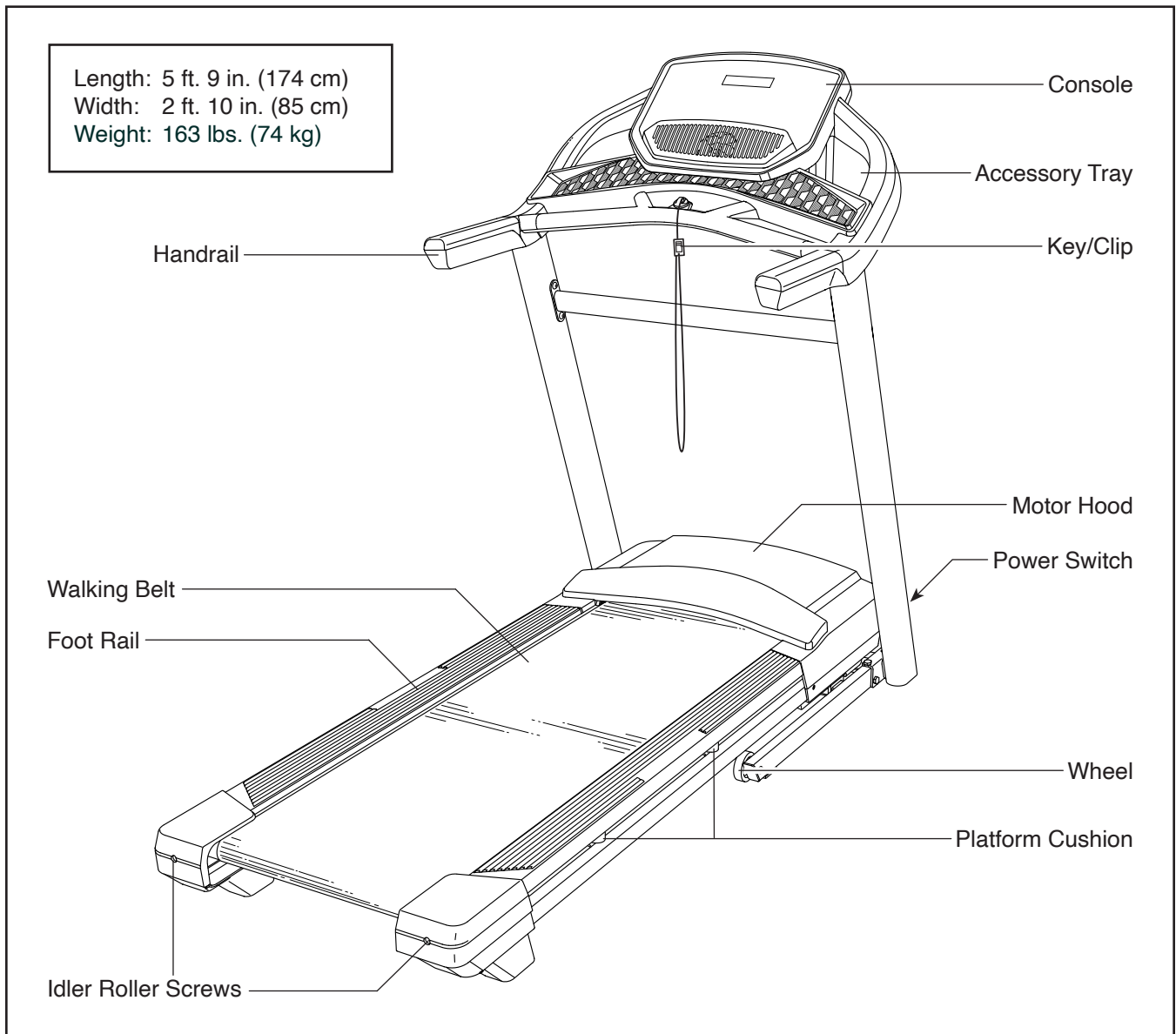
# BEFORE YOU BEGIN

Thank you for selecting the new PROFORM® SPORT 5.5 treadmill. The SPORT 5.5 treadmill provides an impressive selection of features designed to make your workouts at home more effective and enjoyable.

**For your benefit, read this manual carefully before you use the treadmill.** If you have questions after


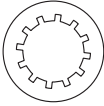
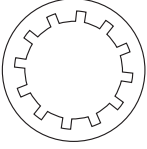
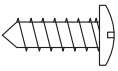
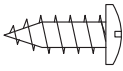
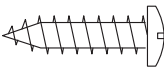
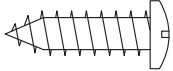
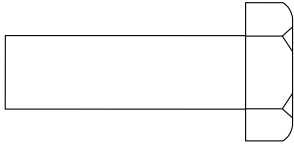
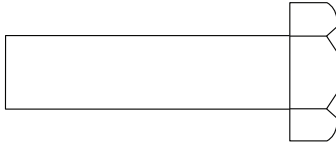
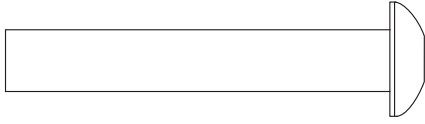
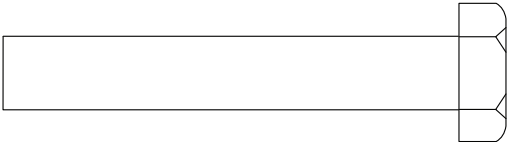
reading this manual, please see the front cover of this manual. To help us assist you, note the product model number and serial number before contacting us. The model number and the location of the serial number decal are shown on the front cover of this manual.

Before reading further, please familiarize yourself with the parts that are labeled in the drawing below.






# PART IDENTIFICATION CHART

Use the drawings below to identify small parts used for assembly. The number in parentheses below each drawing is the key number of the part, from the PART LIST near the end of this manual. The number following the key number is the quantity used for assembly. **Note: If a part is not in the hardware kit, check to see whether it is preattached. Extra parts may be included.**

			
#10 Star Washer (8)-4	5/16" Star Washer (7)-14	3/8" Star Washer (6)-6	
			
#8 x 1/2" Ground Screw (1)-1	#8 x 1/2" Screw (10)-8	#8 x 3/4" Screw (11)-12	#10 x 3/4" Screw (9)-4
			
3/8" x 1 1/4" Screw (3)-2	3/8" x 1 1/2" Screw (4)-2		
			
5/16" x 2" Screw (5)-4	3/8" x 2 3/8" Screw (2)-2		

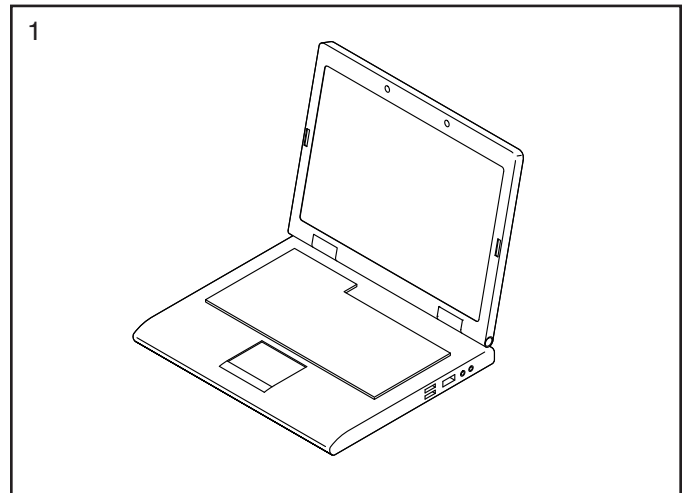
# ASSEMBLY

- Assembly requires two persons.
  - Place all parts in a cleared area and remove the packing materials. Do not dispose of the packing materials until you finish all assembly steps.
  - After shipping, there may be an oily substance on the exterior of the treadmill. This is normal. If there is an oily substance on the treadmill, wipe it off with a soft cloth and a mild, non-abrasive cleaner.
  - To identify small parts, see page 6.
  - Left parts are marked “L” or “Left” and right parts are marked “R” or “Right.”
  - Assembly requires the following tools:
    - the included hex keys 
    - one Phillips screwdriver 
    - one adjustable wrench 
- To avoid damaging parts, do not use power tools.

1. **To register your product and activate your warranty in the UK**, go to [iconsupport.eu](http://iconsupport.eu). If you do not have internet access, call Member Care (see the front cover of this manual).

**To register your product and activate your warranty in Australia**, email or post the following information to the email address or postal address on the front cover of this manual.

- your receipt (make sure to keep a copy)
- your name, address, and telephone number
- the model number, serial number, and name of your product (see the front cover of this manual)

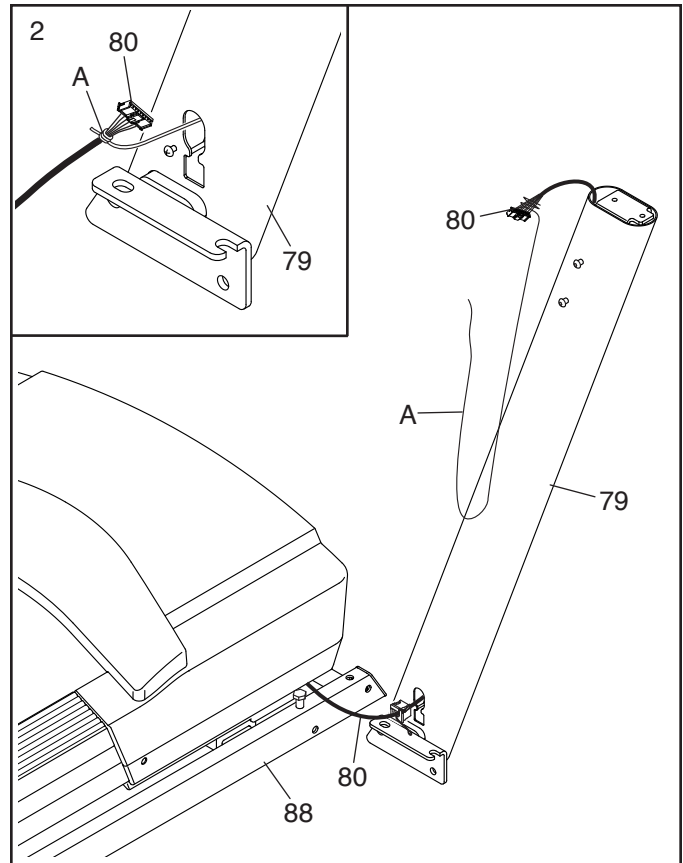


2. **Make sure that the power cord is unplugged.**

Remove the tie securing the Upright Wire (80) to the front of the Base (88).

Next, identify the Right Upright (79). Have a second person hold the Right Upright near the Base (88).

**See the inset drawing.** Tie the wire tie (A) in the Right Upright (79) securely around the end of the Upright Wire (80). Then, insert the Upright Wire into the lower end of the Right Upright, and pull the upper end of the wire tie until the Upright Wire is routed through the Right Upright.

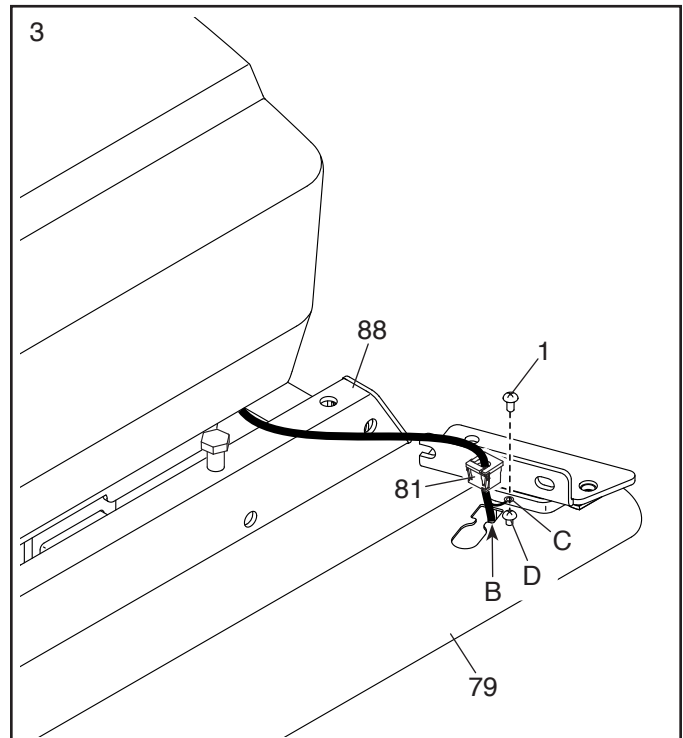


3. Lay the Right Upright (79) near the Base (88).

Press the Grommet (81) into the square hole (B) in the Right Upright (79). **Make sure not to pinch the ground wire (C).**

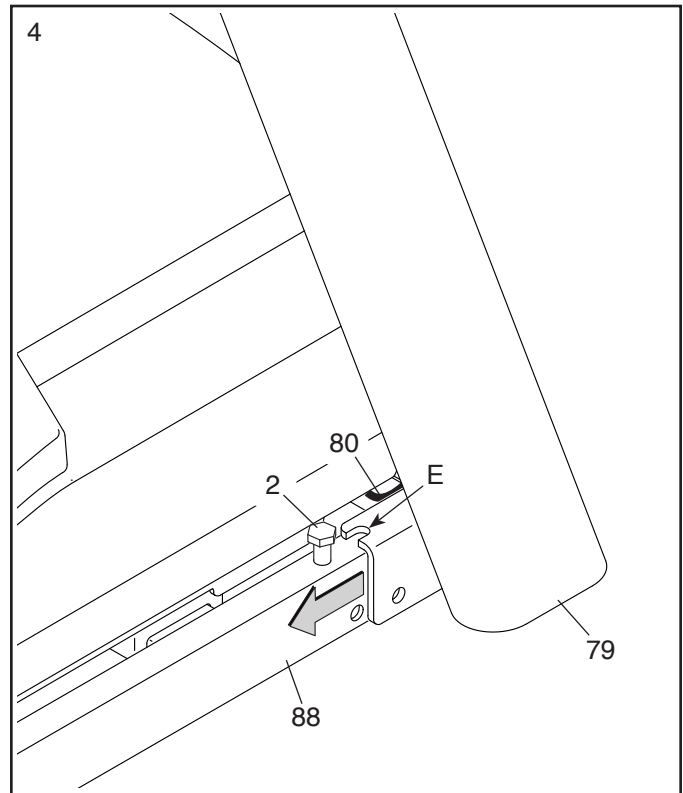
If there is a screw (D) preattached to the Right Upright (79), remove and discard it.

Then, attach the ground wire (C) to the Right Upright (79) with a #8 x 1/2" Ground Screw (1).



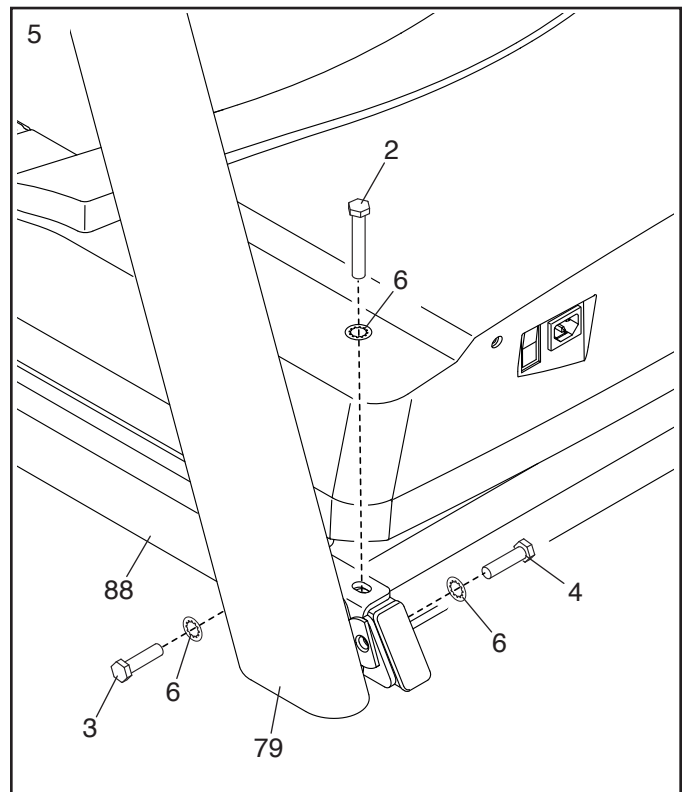


4. Set the Right Upright (79) on the Base (88) as shown. **Make sure not to pinch the Upright Wire (80).** Then, slide the Right Upright so that the 3/8" x 2 3/8" Screw (2) in the Base is inserted into the slot (E) in the Right Upright. **Do not tighten the Screw yet.**

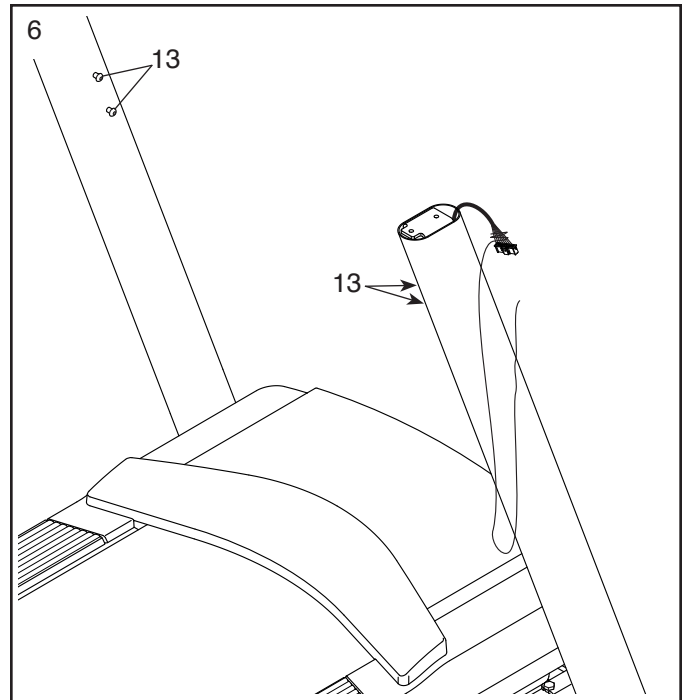


5. Attach the Right Upright (79) to the Base (88) with a 3/8" x 2 3/8" Screw (2), a 3/8" x 1 1/4" Screw (3), a 3/8" x 1 1/2" Screw (4), and three 3/8" Star Washers (6) as shown; **do not fully tighten the Screws yet.**

**Attach the Left Upright (not shown) as instructed in steps 4 and 5.** Note: There are no wires on the left side.

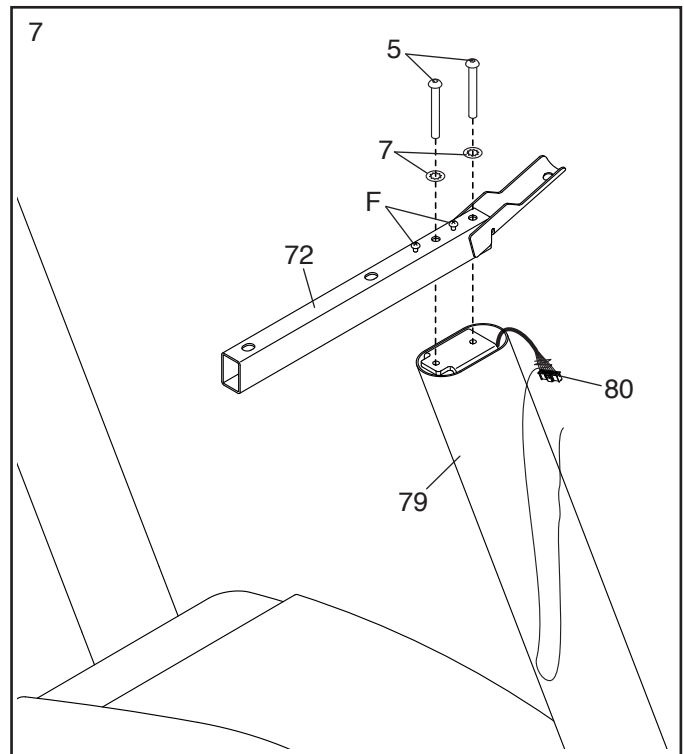


6. Remove and save the four indicated 5/16" x 3/4" Screws (13).



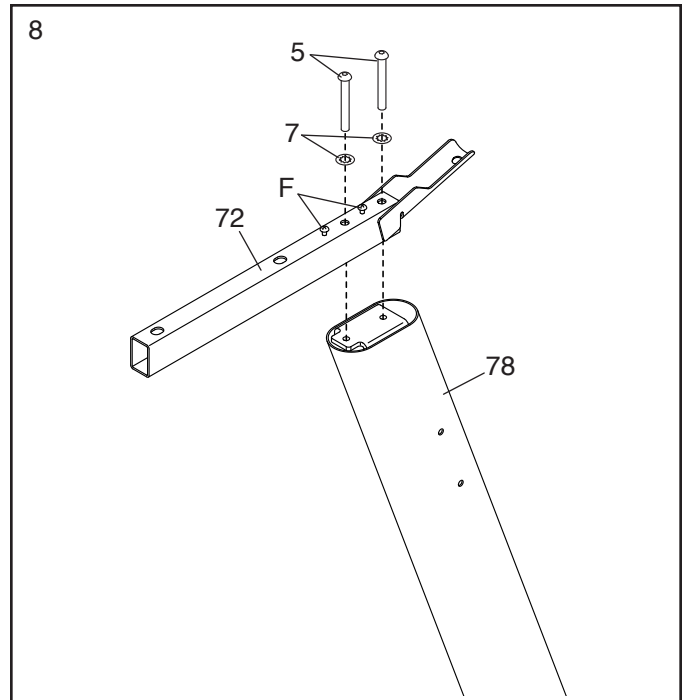
7. Attach a Handrail (72) to the Right Upright (79) with two 5/16" x 2" Screws (5) and two 5/16" Star Washers (7); **start both Screws, and then tighten them. Do not pinch the Upright Wire (80).**

Then, remove and discard the two indicated screws (F).

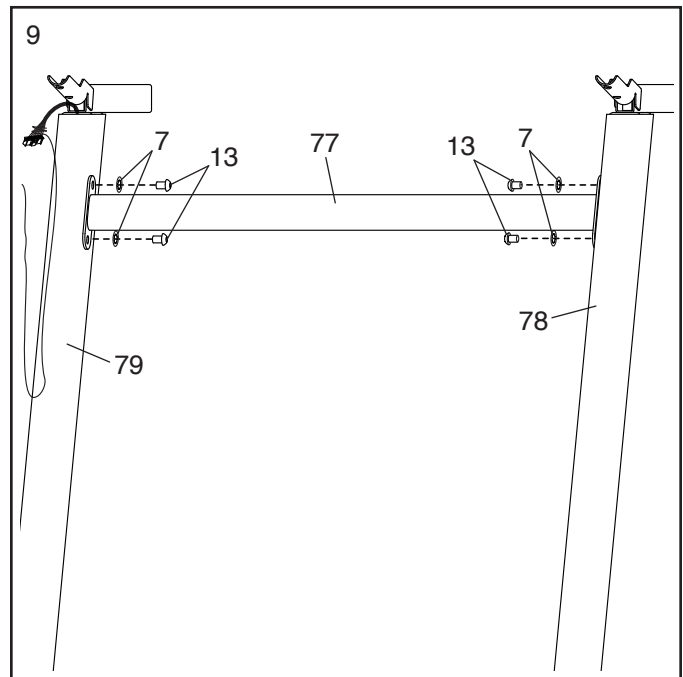


8. Attach the other Handrail (72) to the Left Upright (78) with two 5/16" x 2" Screws (5) and two 5/16" Star Washers (7); **start both Screws, and then tighten them.**

Then, remove and discard the two indicated screws (F).



9. Carefully slide the Upright Crossbar (77) between the Left and Right Uprights (78, 79). Attach the Upright Crossbar with the four 5/16" x 3/4" Screws (13) that you removed in step 6 and four 5/16" Star Washers (7); **start all four Screws, and then tighten them.**

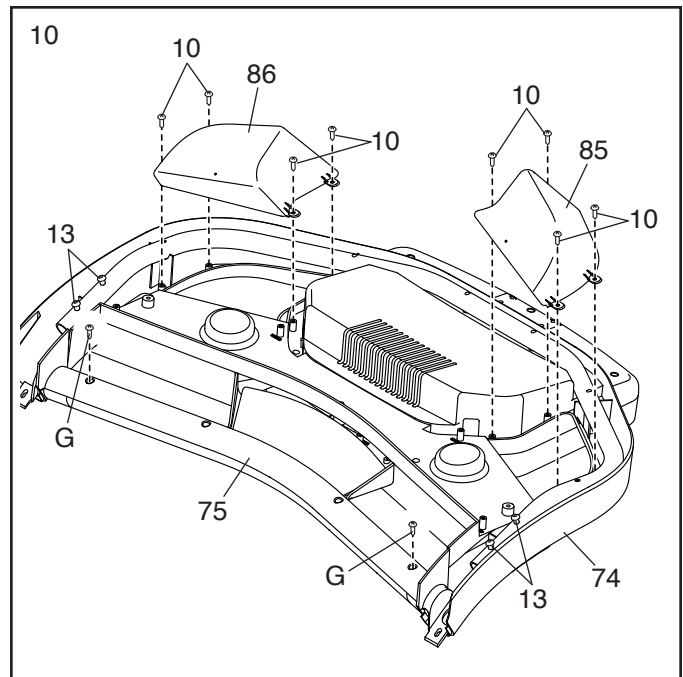


10. Set the Console Base (74) face down on a soft surface to avoid scratching the Console Base.

Remove and discard the two indicated screws (G). Then, remove the Handrail Crossbar (75).

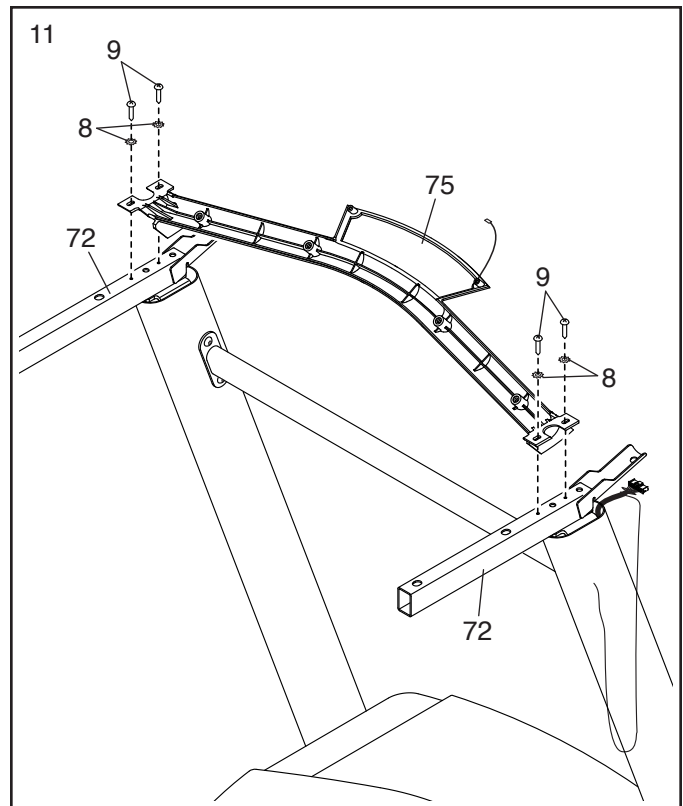
Next, identify the Left and Right Trays (85, 86). Attach the Trays to the Console Base (74) with eight #8 x 1/2" Screws (10); **do not overtighten the Screws.**

**Then, remove and save the four indicated 5/16" x 3/4" Screws (13).**



11. **IMPORTANT: To avoid damaging the Handrail Crossbar (75), do not use power tools and do not overtighten the #10 x 3/4" Screws (9).**

Orient the Handrail Crossbar (75) as shown. Attach the Handrail Crossbar to the Handrails (72) with four #10 x 3/4" Screws (9) and four #10 Star Washers (8); **start all four Screws, and then tighten them.**

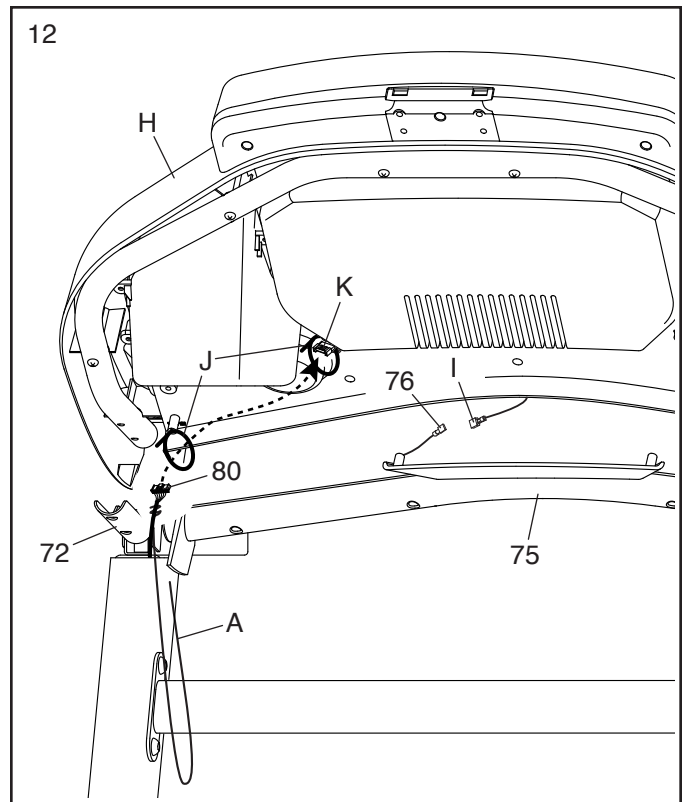


12. With the help of a second person, hold the console assembly (H) near the Handrails (72).

Connect the ground wire (I) from the console assembly (H) to the Console Ground Wire (76) on the Handrail Crossbar (75).

Next, insert the Upright Wire (80) through the two indicated looped ties (J).

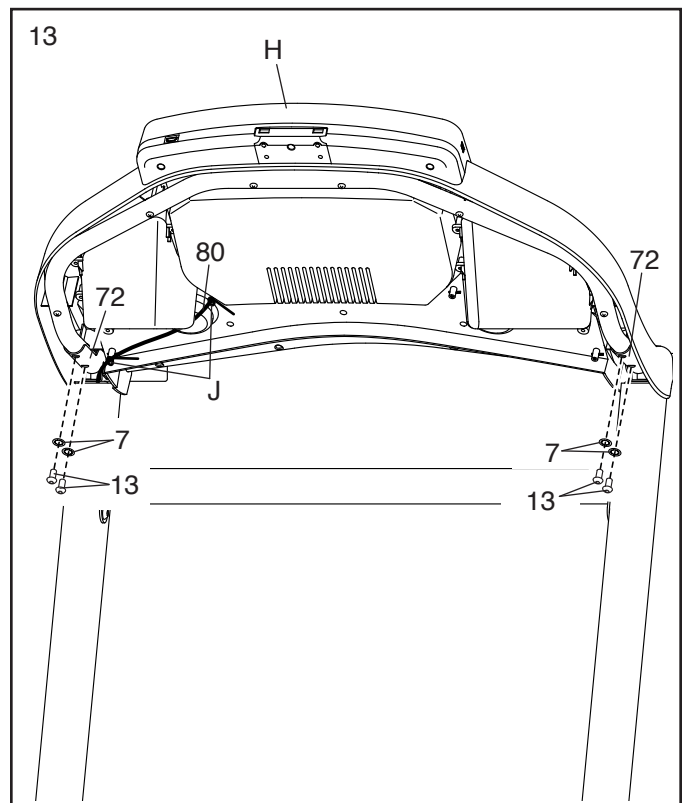
Connect the Upright Wire (80) to the console wire (K). **The connectors should slide together easily and snap into place with an audible click. If they do not, turn one connector and try again.** Then, remove the wire tie (A) from the Upright Wire.



13. Set the console assembly (H) on the Handrails (72). **Do not pinch any wires.**

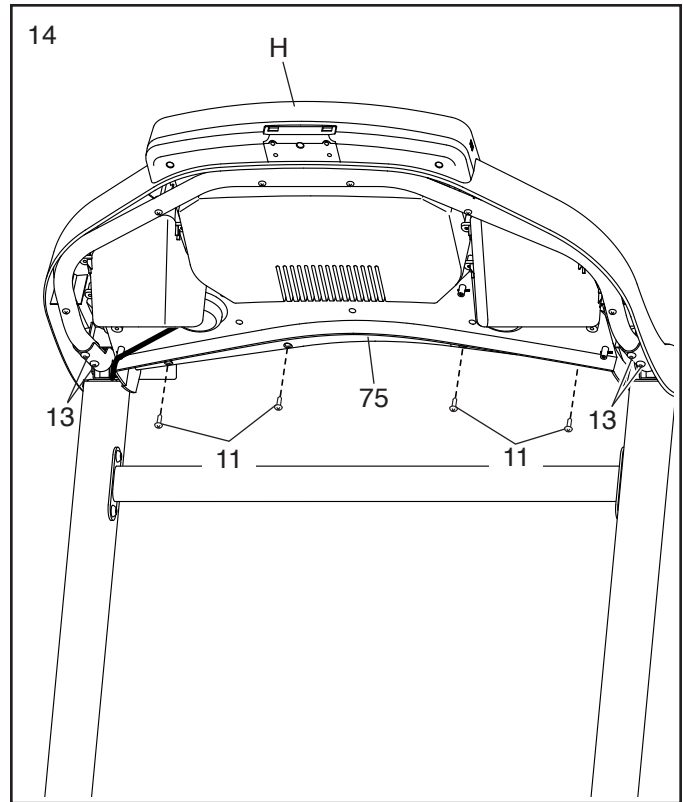
Insert the excess Upright Wire (80) into the console assembly (H). Next, tighten the two ties (J) around the Upright Wire, and cut off the ends of the ties.

Then, attach the console assembly (H) with the four 5/16" x 3/4" Screws (13) that you removed in step 10 and four 5/16" Star Washers (7); **do not tighten the Screws yet.**



14. Attach the Handrail Crossbar (75) to the console assembly (H) with four #8 x 3/4" Screws (11); **start all four Screws, and then tighten them. Do not overtighten the Screws.**

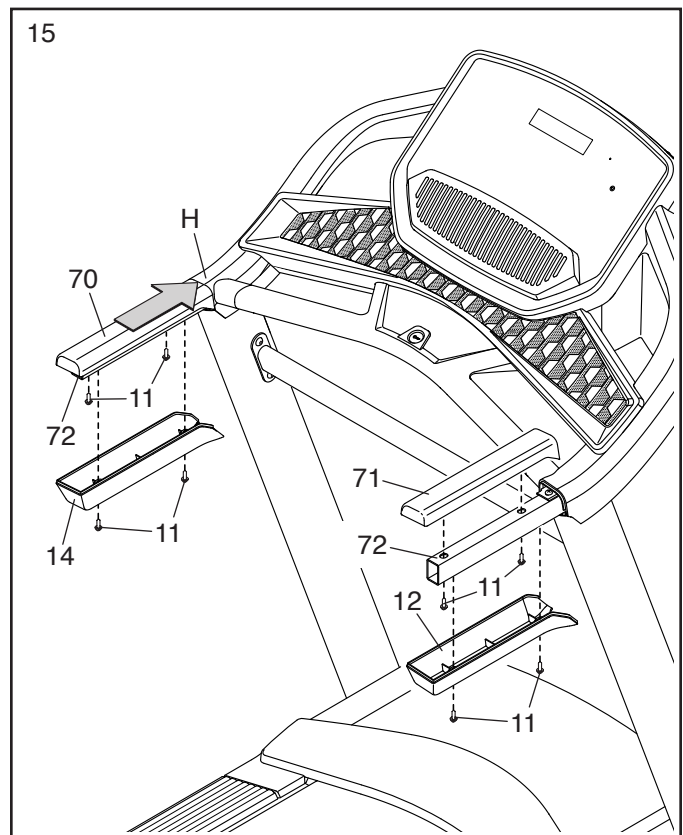
**Firmly tighten the four 5/16" x 3/4" Screws (13).**



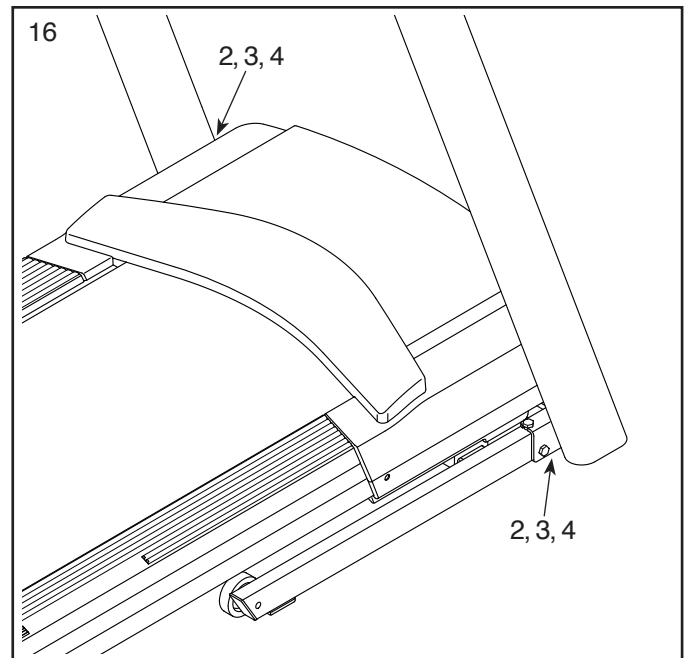
15. Set the Left Handrail Cover (70) on the left Handrail (72). Start two #8 x 3/4" Screws (11) into the left Handrail and the Left Handrail Cover. Next, slide the Left Handrail Cover forward against the console assembly (H) as shown. Then, tighten both Screws.

Then, attach the Left Handrail Bottom (14) to the Handrail (72) with two #8 x 3/4" Screws (11).

**Attach the Right Handrail Cover (71) and the Right Handrail Bottom (12) to the right Handrail (72) as described above.**



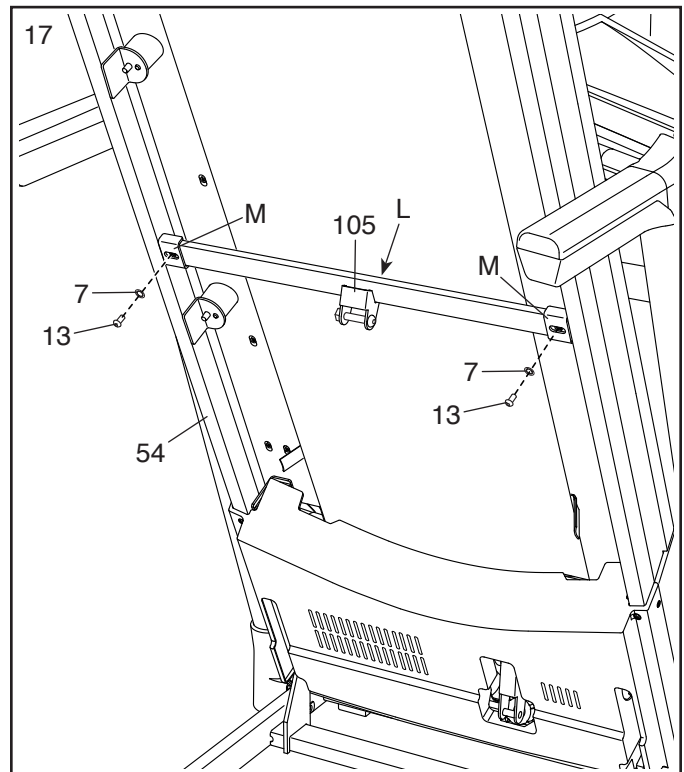
16. Tighten all eight indicated Screws (2, 3, 4) from steps 4 and 5.



17. Raise the Frame (54) to the upright position. **Have a second person hold the Frame until step 19 is completed.**

Remove the two 5/16" x 3/4" Screws (13) from the Latch Crossbar (97).

Next, orient the Latch Crossbar (105) as shown. **Make sure that the "This side toward belt" sticker (L) is facing the treadmill.** Attach the Latch Crossbar to the brackets (M) on the Frame (54) with the two 5/16" x 3/4" Screws (13) that you just removed and two 5/16" Star Washers (7).

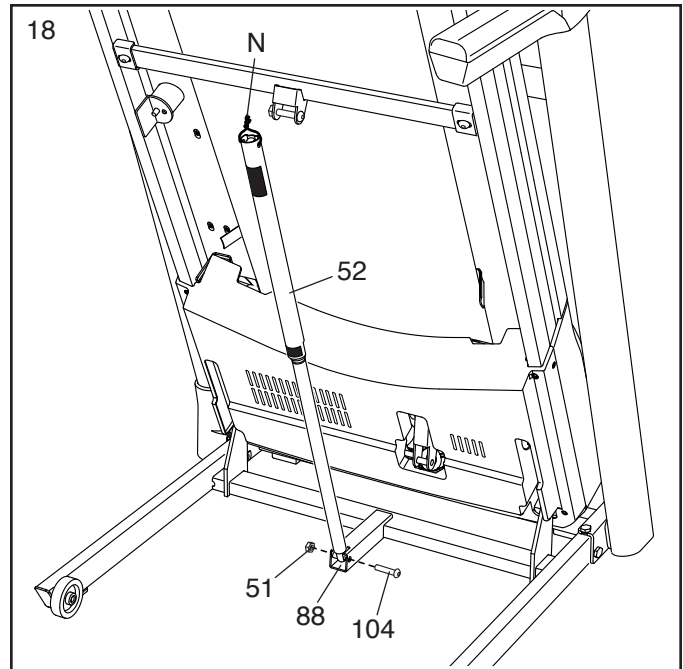


18. Remove the 5/16" Nut (51) and the 5/16" x 1 3/4" Bolt (104) from the bracket on the Base (88).

Next, orient the Storage Latch (52) as shown.

Attach the lower end of the Storage Latch (52) to the bracket on the Base (88) with the 5/16" x 1 3/4" Bolt (104) and the 5/16" Nut (51) as shown.

Then, raise the Storage Latch (52) to a vertical position, and remove the tie (N).

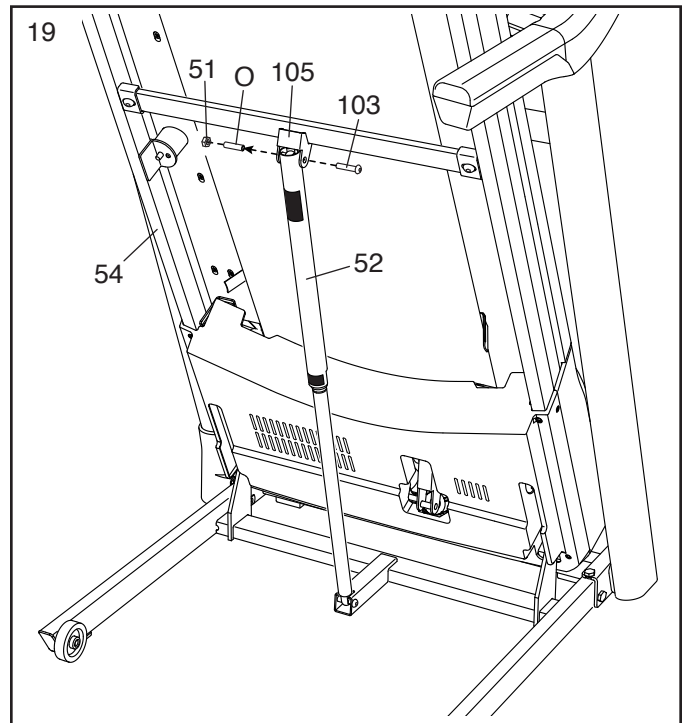


19. Remove the 5/16" Nut (51) and the 5/16" x 2 1/4" Bolt (103) from the bracket on the Latch Crossbar (97).

Align the upper end of the Storage Latch (52) with the bracket on the Latch Crossbar (105), and insert the 5/16" x 2 1/4" Bolt (103) through the bracket and the Storage Latch. **This will push a spacer (O) out of the Storage Latch; discard the spacer.**

Next, tighten the 5/16" Nut (51) onto the 5/16" x 2 1/4" Bolt (103). **Do not overtighten the Nut; the Storage Latch (52) must be able to pivot.**

Then, lower the Frame (54) (see HOW TO LOWER THE TREADMILL FOR USE on page 26).



20. **Make sure that all parts are properly tightened before you use the treadmill.** If there are sheets of plastic on the treadmill decals, remove the plastic. To protect the floor or carpet, place a mat under the treadmill. To avoid damage to the console, keep the treadmill out of direct sunlight. Keep the included hex key in a secure place; the hex key is used to adjust the walking belt (see pages 28 and 29). Note: Extra hardware may be included.



# HOW TO USE THE TREADMILL

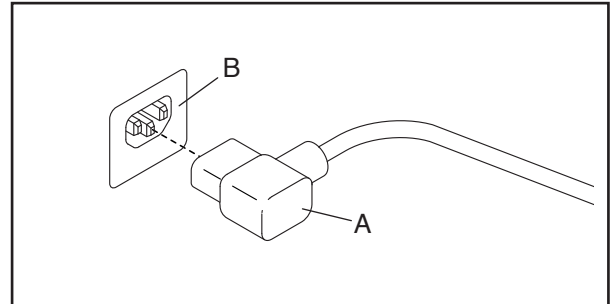
## HOW TO PLUG IN THE POWER CORD

**This product must be earthed.** If it should malfunction or break down, earthing provides a path of least resistance for electric current to reduce the risk of electric shock. This product's power cord has an equipment-earthing conductor and an earthing plug. **IMPORTANT: If the power cord is damaged, it must be replaced with a manufacturer-recommended power cord.**

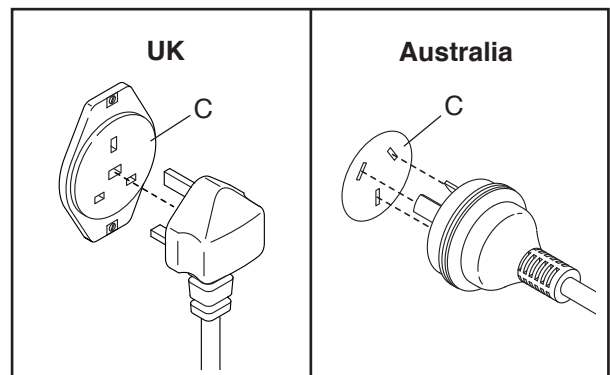
**⚠ DANGER:** Improper connection of the equipment-earthing conductor can result in an increased risk of electric shock. Check with a qualified electrician or serviceman if you are in doubt as to whether the product is properly earthed. Do not modify the plug provided with the product—if it will not fit the outlet, have a proper outlet installed by a qualified electrician.

Follow the steps below to plug in the power cord.

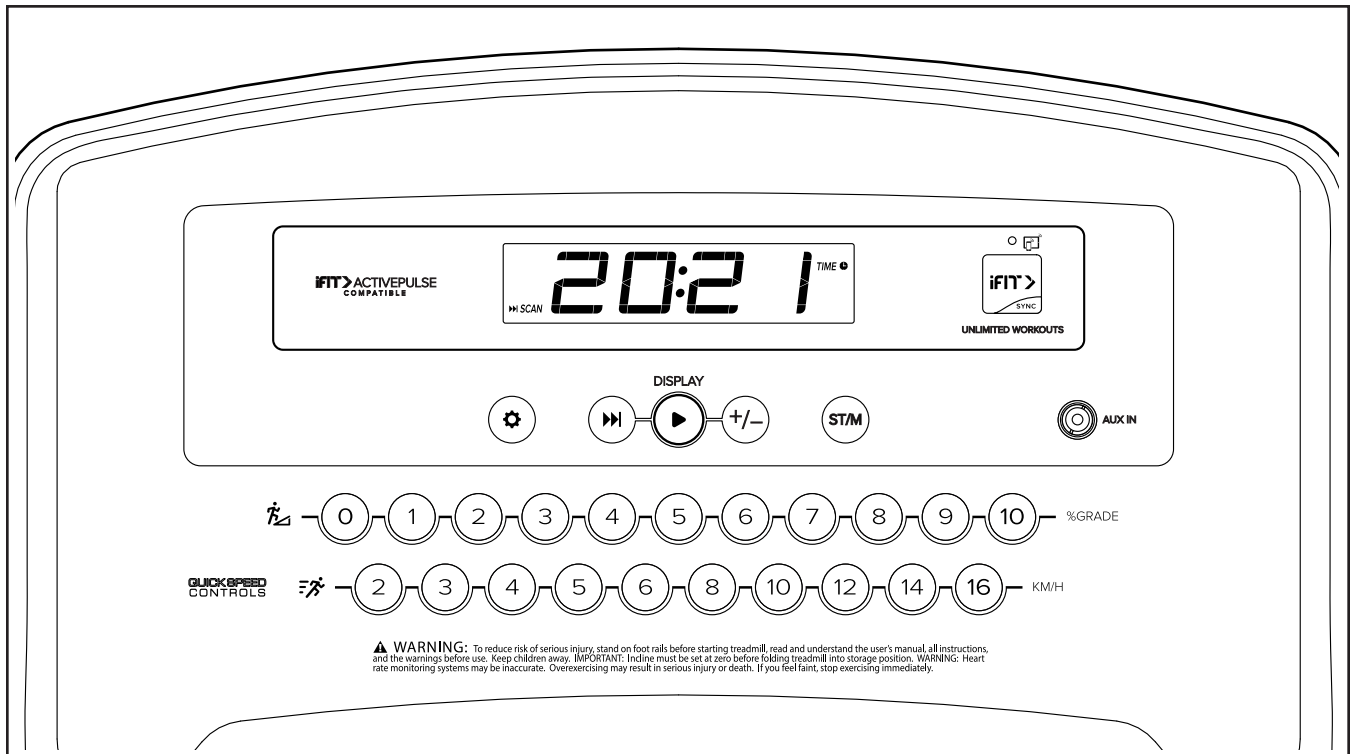
1. Plug the indicated end of the power cord (A) into the socket (B) on the treadmill.



2. Plug the power cord into an appropriate outlet (C) that is properly installed and earthed in accordance with all local codes and ordinances.



## CONSOLE DIAGRAM



### FEATURES OF THE CONSOLE

The treadmill console offers a selection of features designed to make your workouts more effective and enjoyable. When you select the manual mode of the console, you can change the speed and incline of the treadmill with the touch of a button. As you exercise, the console will display continuous exercise feedback. You can also measure your heart rate using a compatible heart rate monitor. **See page 25 for information about purchasing an optional heart rate monitor.**

With an iFIT subscription, you can connect your tablet to the console and use the iFIT app to access iFIT's unrivaled selection of studio and destination workouts. Each workout automatically changes the speed and incline of the treadmill as an iFIT coach guides you through the workout. You can even set fitness goals and record your workouts to track your progress.

You can even listen to your favorite workout music or audio books with the console's sound system while you exercise.

**To turn on the power, see page 19. To use the manual mode, see page 19. To use an iFIT workout, see page 21. To connect a heart rate monitor to the console, see page 23. To use the settings mode, see page 23. To use the sound system, see page 24.**

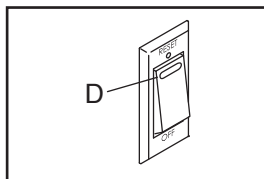
**IMPORTANT: If there is a sheet of plastic on the console, remove the plastic. To prevent damage to the walking platform, wear clean athletic shoes while using the treadmill. The first time the treadmill is used, observe the alignment of the walking belt, and center the walking belt if necessary (see page 29).**

Note: The console can display speed and distance in either miles or kilometers. To find which unit of measurement is selected, see THE SETTINGS MODE on page 23. To change the unit of measurement, press the St/M button.

## HOW TO TURN ON THE POWER

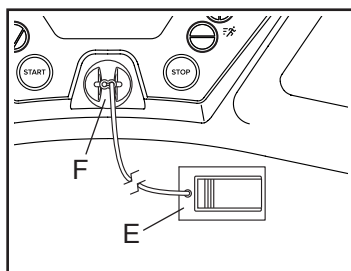
**IMPORTANT:** If the treadmill has been exposed to cold temperatures, allow it to warm to room temperature before you turn on the power. If you do not do this, you may damage the console displays or other electrical components.

Plug in the power cord (see page 17). Next, locate the power switch (D) on the treadmill frame near the power cord. Make sure that the switch is in the reset position.



**IMPORTANT:** The console may feature a demo mode, designed to be used if the treadmill is displayed in a store. If the displays light as soon as you plug in the power cord and press the power switch into the reset position, the demo mode is turned on. To turn off the demo mode, hold down the Stop button for a few seconds. If the displays remain lit, see THE SETTINGS MODE on pages 23 and 24 to turn off the demo mode.

Next, stand on the foot rails of the treadmill. Find the clip (E) attached to the key (F), and slide the clip onto the waistband of your clothes. Then, insert the key into the console. After a moment, the displays will light. **IMPORTANT:** In an emergency, the key can be pulled from the console, causing the walking belt to slow to a stop. Test the clip by carefully taking a few steps backward; if the key is not pulled from the console, adjust the position of the clip.



**IMPORTANT:** Before you use the treadmill, take the following steps to ensure that the console shows the correct incline level of the treadmill. First, press the Incline increase button once. Next, press either the Incline decrease button or the lowest numbered Incline button to set the treadmill to its lowest setting. When the frame stops moving, the treadmill is ready for use.

## HOW TO USE THE MANUAL MODE

### 1. Insert the key into the console.

See HOW TO TURN ON THE POWER at the left.

### 2. Start the walking belt.

To start the walking belt, press the Start button or one of the numbered Speed buttons.

If you press the Start button, the walking belt will begin to move at a low speed. As you exercise, change the speed of the walking belt as desired by pressing the Speed increase and decrease buttons. Each time you press one of the buttons, the speed setting will change in small increments; if you hold down the button, the speed setting will change more quickly.

If you press one of the numbered Speed buttons, the walking belt will gradually change speed until it reaches the selected speed setting.

To stop the walking belt, press the Stop button. The time will begin to flash in the display. To restart the walking belt, press the Start button or one of the numbered Speed buttons.

### 3. Change the incline of the treadmill as desired.

To change the incline of the treadmill, press the Incline increase and decrease buttons or one of the numbered Incline buttons. Each time you press the Incline increase or decrease button, the incline setting will change by 0.5 percent. If you press one of the numbered Incline buttons, the incline will gradually change until it reaches the selected incline setting.

#### 4. Follow your progress with the display.

The display can show the following workout information:

**Calories (CALs)**—The approximate number of calories you have burned.

**Calories per Hour (CALs/HR)**—The approximate number of calories you are burning per hour.

**Distance (MI or KM)**—The distance that you have walked or run in miles or kilometers. To change the unit of measurement, press the St/M button.

**Incline (%Grade)**—The incline level of the treadmill.

**Pace**—Your speed in minutes per mile or minutes per kilometer. To change the unit of measurement, press the St/M button.

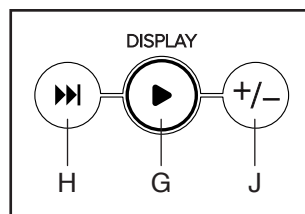
**Pulse (BPM and heart symbol)**—Your heart rate when you use a compatible heart rate monitor. **See page 25 for information about purchasing an optional heart rate monitor.**

**Speed (MPH or KPH)**—Your speed in miles per hour or kilometers per hour. To change the unit of measurement, press the St/M button.

**Time**—The elapsed time.

**Vertical Distance (VRT FT or VRT M)**—The distance you have walked or run in vertical feet or vertical meters.

Press the Display button (G) repeatedly to view the desired workout information in the display.



**Scan mode**—The console also has a scan mode that will display workout information in a repeating cycle. **To turn on the scan mode**, press the Scan button (H); the scan indicator (I) and the word SCAN will turn on in the display.



**To manually advance the scan cycle**, press the Scan button repeatedly.

**To turn off the scan mode**, press the Display button; the scan indicator and the word SCAN will turn off.

You can also customize the scan mode to display only the desired workout information in the repeating cycle.

**To customize the scan mode**, first press the Display button repeatedly until the workout information that you want to add to or remove from the scan cycle appears in the display.

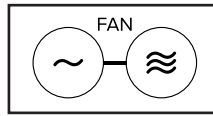
Next, press the +/- button (J) to add or remove that workout information from the scan cycle. **When workout information is added**, its indicator will turn on in the display. **When workout information is removed**, its indicator will turn off.

Then, press the Scan button to turn on the scan mode.

To reset the displays, press the Stop button twice, remove the key, and then reinsert the key.

## 5. Turn on the fan if desired.

The fan features several speed settings. Press the Fan buttons repeatedly to select a fan speed or to turn the fan on or off.



## 6. When you are finished exercising, remove the key from the console.

Step onto the foot rails, press the Stop button, and **adjust the incline of the treadmill to zero. The incline must be at zero when you fold the treadmill to the storage position, or you may damage the treadmill.** Next, remove the key from the console and put it in a secure place.

When you are finished using the treadmill, press the power switch into the off position and unplug the power cord. **IMPORTANT: If you do not do this, the treadmill's electrical components may wear prematurely.**

## HOW TO USE AN IFIT WORKOUT

The console offers access to a large and varied library of iFIT workouts when you download the iFIT app to your smart device and connect it to the console.

Note: The console supports Bluetooth connections to smart devices via the iFIT app and to compatible heart rate monitors. Other Bluetooth connections are not supported.

### 1. Download and install the iFIT app on your smart device.

On your iOS® or Android™ smart device, open the App Store<sup>SM</sup> or the Google Play™ store, search for the free iFIT app, and then install the app on your smart device. **Make sure that the Bluetooth option is enabled on your smart device.**

Then, open the iFIT app and follow the instructions to set up an iFIT account and customize settings.

Take time to explore the iFIT app and learn about its features and settings.

### 2. Connect your heart rate monitor to the console if desired.

If you are connecting both your heart rate monitor and your smart device to the console, **you must connect your heart rate monitor before you connect your smart device.** See HOW TO CONNECT A HEART RATE MONITOR TO THE CONSOLE on page 23.

### 3. Connect your smart device to the console.

Press the iFIT Sync button on the console; the console pairing number will appear in the display. Then, follow the instructions in the iFIT app to connect your smart device to the console.

When a connection is established, the LED on the console will turn solid blue.

#### 4. Select an iFIT workout.

In the iFIT app, touch the buttons at the bottom of the screen to select either the home screen (Home button) or the workout library (Browse button).

To select a workout from the home screen or the workout library, simply touch the desired workout button on the screen. Slide or flick the screen to scroll upward or downward if necessary.

When you select a workout, the screen will show an overview of the workout that includes details such as the duration and distance of the workout and the approximate number of calories you will burn during the workout.

#### 5. Start the workout.

Touch *Start Workout* to start the workout.

During some workouts, an iFIT coach will guide you through a video workout. Touch the screen to select music, trainer voice, and volume options for the workout.

During some workouts, the screen will show a map of the route and a marker indicating your progress. Touch the buttons on the screen to select the desired map options.

If the speed or incline setting for the current segment of the workout is too high or too low, you can manually override the setting by pressing the Speed and Incline buttons on the console.

**IMPORTANT: When the current segment ends, the speed will automatically adjust to the setting programmed for the next segment.**

**Note: The calorie goal shown in the workout description is an estimate of the number of calories that you will burn during the workout. The actual number of calories that you burn will depend on various factors, such as your weight. In addition, if you manually change the speed during the workout, the number of calories that you burn will be affected.**

To pause the workout, simply touch the screen or press the Stop button. To continue the workout, press the play icon on the screen, or press the Start button.

To end the workout, touch the screen to pause the workout, and then follow the prompts on the screen to end the workout and return to the home screen.

When the workout ends, a workout summary will appear on the screen. If desired, you can select options such as adding the workout to your schedule or adding the workout to your favorites list. Then, touch *Finish* to return to the home screen.

#### 6. Disconnect your smart device from the console.

To disconnect your smart device from the console, first select the disconnect option in the iFIT app. Then, press and hold the iFIT Sync button on the console until the LED on the console turns solid green.

Note: All Bluetooth connections between the console and other devices (including any smart devices, heart rate monitors, and so forth) will be disconnected.

#### 7. When you are finished exercising, remove the key from the console.

See step 6 on page 21.

## HOW TO CONNECT A HEART RATE MONITOR TO THE CONSOLE

The console is compatible with all Bluetooth® Smart heart rate monitors. **For information about purchasing an optional heart rate monitor, see page 25.**

To connect your Bluetooth Smart heart rate monitor to the console, press the iFIT Sync button on the console; the console pairing number will appear in the display. When a connection is established, the LED on the console will flash red twice.

Note: If there is more than one compatible heart rate monitor near the console, the console will connect to the heart rate monitor with the strongest signal.

To disconnect your heart rate monitor from the console, press and hold the iFIT Sync button on the console until the LED on the console turns solid green.

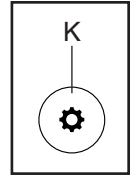
Note: All Bluetooth connections between the console and other devices (including any tablets, heart rate monitors, and so forth) will be disconnected.

## THE SETTINGS MODE

### 1. Select the settings mode.

To select the settings mode, press the gear button (K). The first settings screen will appear in the display.

Note: If you have selected a workout, you may need to press the Stop button repeatedly to return to the home screen before selecting the settings mode.



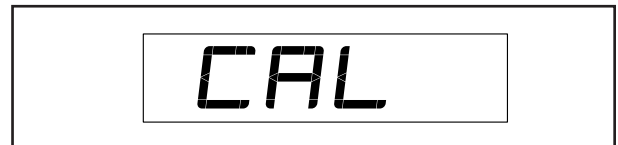
### 2. Navigate the settings mode.

While the settings mode is selected, you can navigate through several settings screens. Press the Stop button repeatedly to select the desired settings screen.

### 3. Change settings as desired.

**Software Version Number**—The software version number will appear in the display.

**Incline System Calibration**—The letters CAL will appear in the display. If the incline system is not functioning properly, it may need to be calibrated. To calibrate the incline system, press the Incline increase or decrease button. The treadmill will automatically rise to the maximum incline level and then return to the minimum level. When the treadmill stops moving, the incline system is calibrated.



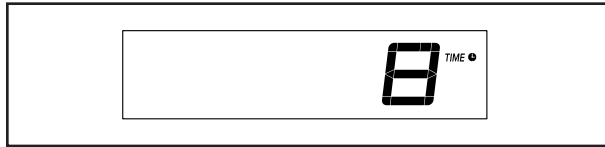
**Unit of Measurement**—The currently selected unit of measurement will appear in the display. The console can show speed and distance in standard or metric units of measurement. To change the unit of measurement, press the Speed increase button repeatedly. To view workout information in standard units, select Std. To view workout information in metric units, select Met.



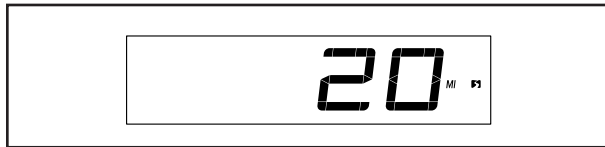
**Display Test**—This screen is intended to be used by service technicians to identify whether the display is working correctly.

**Button Test**—This screen is intended to be used by service technicians to identify whether a certain button is working correctly.

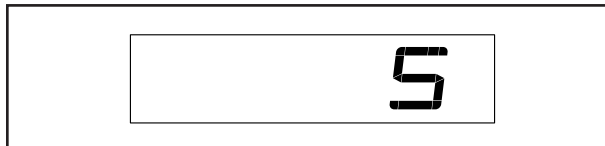
**Total Time**—The word TIME will appear in the display. The display will show the total number of hours that the treadmill has been used.



**Total Distance**—The letters MI or KM will appear in the display. The display will show the total distance (in miles or kilometers) that the walking belt has moved.



**Contrast Level**—The currently selected contrast level will appear in the display. Press the Incline increase and decrease buttons to adjust the contrast level.



**Demo Mode**—The currently selected demo mode option will appear in the display. The console features a demo mode, designed to be used if the treadmill is displayed in a store. If the demo mode is turned on, the console will not turn off and the display will not be reset when you finish exercising. Press the Speed increase button repeatedly to select a demo mode option. To turn on the demo mode, select Don. To turn off the demo mode, select Doff.



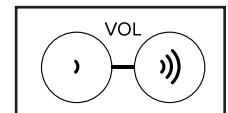
#### 4. Exit the settings mode.

Press the gear button to exit the settings mode (see page 23).

### HOW TO USE THE SOUND SYSTEM

To play music or audio books through the console sound system while you exercise, plug a 3.5 mm male to 3.5 mm male audio cable (not included) into the jack on the console and into a jack on your personal audio player; make sure that the audio cable is fully plugged in. Note: To purchase an audio cable, see your local electronics store.

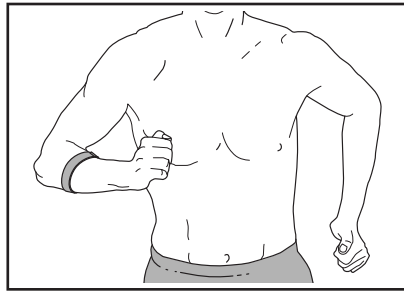
Next, press the play button on your personal audio player. Adjust the volume level using the volume increase and decrease buttons on the console or the volume control on your personal audio player.





## THE OPTIONAL HEART RATE MONITOR

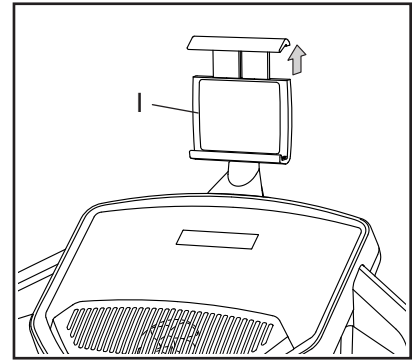
Whether your goal is to burn fat or to strengthen your cardiovascular system, the key to achieving the best results is to maintain the proper heart rate during your workouts. The optional wearable heart rate monitor will enable you to continuously monitor your heart rate while you exercise, helping you to reach your personal fitness goals. **To purchase a heart rate monitor, please see the front cover of this manual.**



Note: The console is compatible with all Bluetooth Smart heart rate monitors.

## THE OPTIONAL TABLET HOLDER

The optional tablet holder (I) will hold your tablet securely in place and enable you to use your tablet while you exercise. The optional tablet holder is designed for use with most full-size tablets. **To purchase a tablet holder, please see the front cover of this manual.**

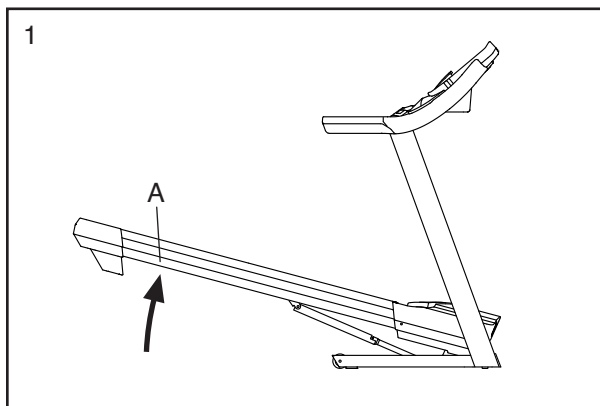


# HOW TO FOLD AND MOVE THE TREADMILL

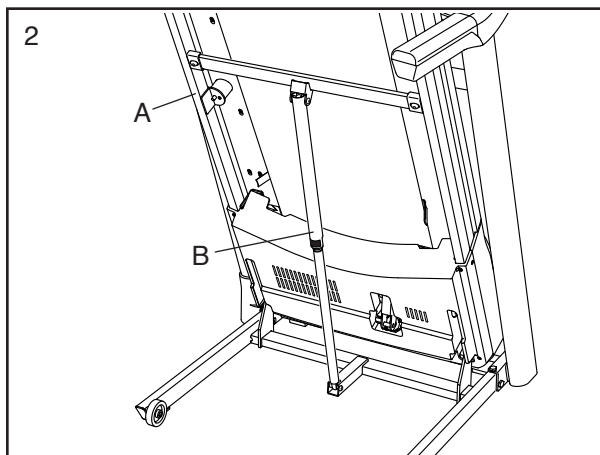
## HOW TO FOLD THE TREADMILL

To avoid damaging the treadmill, adjust the incline to zero before you fold the treadmill. Then, remove the key and unplug the power cord. **CAUTION:** You must be able to safely lift 45 lbs. (20 kg) to raise, lower, or move the treadmill.

1. Hold the metal frame (A) firmly in the location shown by the arrow below. **CAUTION: Do not hold the frame by the plastic foot rails. Bend your legs and keep your back straight.**



2. Raise the frame (A) until the storage latch (B) locks in the storage position. **CAUTION: Make sure that the storage latch locks.**

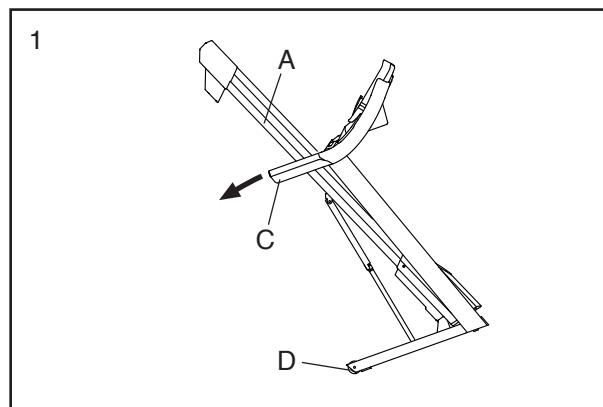


To protect the floor or carpet, place a mat under the treadmill. Keep the treadmill out of direct sunlight. Do not leave the treadmill in the storage position in temperatures above 85°F (30°C).

## HOW TO MOVE THE TREADMILL

Before moving the treadmill, fold it as described at the left. **CAUTION: Make sure that the storage latch is in the locked position. Moving the treadmill may require two people.**

1. Hold the frame (A) and one of the handrails (C), and place one foot against a wheel (D).

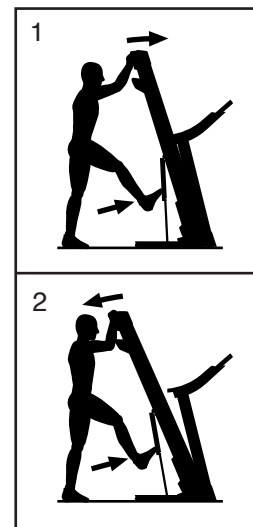


2. Pull back on the handrail (C) until the treadmill will roll on the wheels (D), and carefully move it to the desired location. **CAUTION: Do not move the treadmill without tipping it back, do not pull on the frame, and do not move the treadmill over an uneven surface.**

3. Place one foot against a wheel (D), and carefully lower the treadmill.

## HOW TO LOWER THE TREADMILL FOR USE

1. Push the upper end of the frame forward, and gently press the upper part of the storage latch with your foot at the same time.
2. While pressing the storage latch with your foot, pull the upper end of the frame toward yourself.
3. Step back and let the frame lower to the floor.



# MAINTENANCE AND TROUBLESHOOTING

## MAINTENANCE

Regular maintenance is important for optimal performance and to reduce wear. Inspect and properly tighten all parts each time the treadmill is used. Replace any worn parts immediately. Use only manufacturer-supplied parts.

Regularly clean the treadmill and keep the walking belt clean and dry. First, **press the power switch into the off position and unplug the power cord.** Wipe exterior parts of the treadmill with a damp cloth and a small amount of mild soap. **IMPORTANT: Do not spray liquids directly onto the treadmill. To avoid damage to the console, keep liquids away from the console.** Then, thoroughly dry the treadmill with a soft towel.

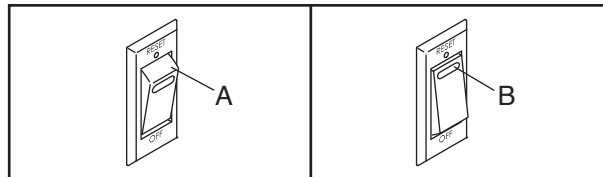
## TROUBLESHOOTING

**Most treadmill problems can be solved by following the simple steps below. Find the symptom that applies, and follow the steps listed. If further assistance is needed, see the front cover of this manual.**

### **SYMPTOM: The power does not turn on**

- If an extension cord is needed, use only a 3-conductor, 14-gauge (2 mm<sup>2</sup>) cord that is no longer than 5 ft. (1.5 m).
- After the power cord has been plugged in, make sure that the key is inserted into the console.

- Check the power switch located on the treadmill frame near the power cord. If the switch protrudes as shown (A), the switch has tripped. To reset the power switch, wait for five minutes and then press the switch back in (B).



### **SYMPTOM: The power turns off during use**

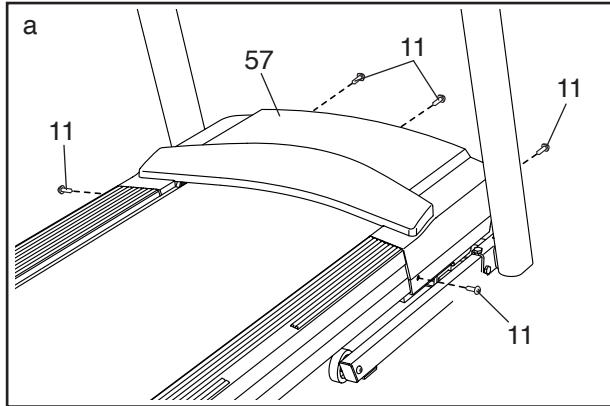
- Check the power switch (see drawing c at the left). If the switch has tripped, wait for five minutes and then press the switch back in.
- Make sure that the power cord is plugged in. If the power cord is plugged in, unplug it, wait for five minutes, and then plug it back in.
- Remove the key from the console, and then reinsert it.
- If the treadmill still will not run, please see the front cover of this manual.

### **SYMPTOM: The incline of the treadmill does not change correctly**

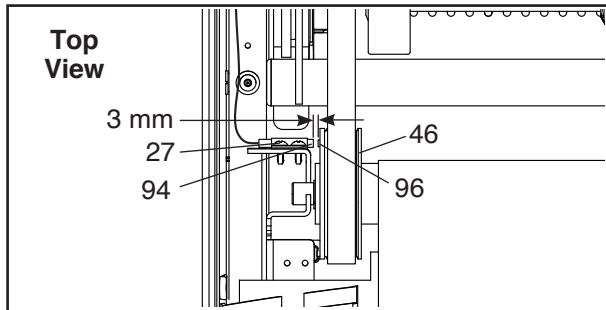
- Calibrate the incline system (see step 3 on page 23).

**SYMPTOM: The displays of the console do not function properly**

- a. Remove the key from the console and **UNPLUG THE POWER CORD**. Next, remove the five #8 x 3/4" Screws (11), and carefully pivot off the Motor Hood (57).

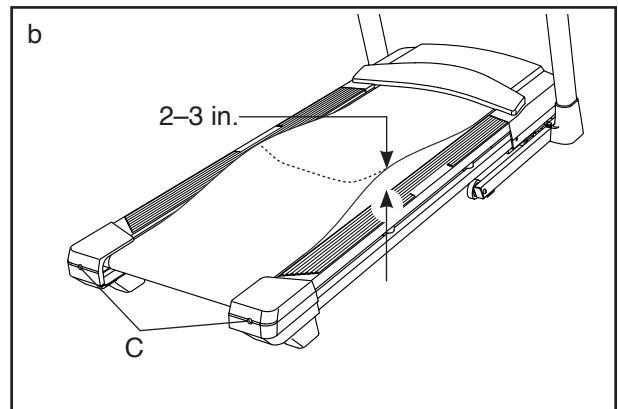


Next, locate the Reed Switch (94) and the Magnet (96) on the left side of the Pulley (46). Turn the Pulley until the Magnet is aligned with the Reed Switch. **Make sure that the gap between the Magnet and the Reed Switch is about 3 mm (1/8 in.)**. If necessary, loosen the #8 x 1/2" Washer Head Screws (27), move the Reed Switch slightly, and then retighten the Screws. Reattach the Motor Hood (57), and walk on the treadmill for a few minutes to check for a correct speed reading.



**SYMPTOM: The walking belt slows when walked on**

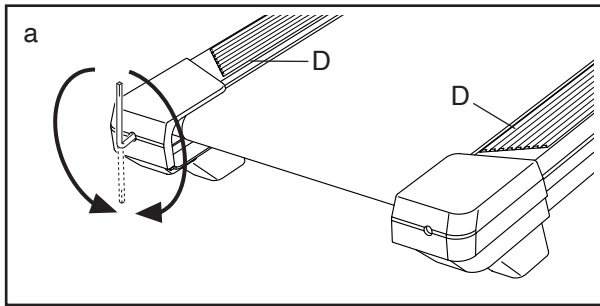
- a. If an extension cord is needed, use only a 3-conductor, 14-gauge (2 mm<sup>2</sup>) cord that is no longer than 5 ft. (1.5 m).
- b. If the walking belt is overtightened, treadmill performance may decrease and the walking belt may become damaged. Remove the key and **UNPLUG THE POWER CORD**. Using the hex key, turn both idler roller screws (C) counterclockwise, 1/4 of a turn. When the walking belt is properly tightened, you should be able to lift each edge of the walking belt 2 to 3 in. (5 to 7 cm) off the walking platform. Be careful to keep the walking belt centered. Then, plug in the power cord, insert the key, and walk on the treadmill for a few minutes. Repeat until the walking belt is properly tightened.



- c. Your treadmill features a walking belt coated with high-performance lubricant. **IMPORTANT: Never apply silicone spray or other substances to the walking belt or the walking platform unless instructed to do so by an authorized service representative. Such substances may deteriorate the walking belt and cause excessive wear.** If you suspect that the walking belt needs more lubricant, see the front cover of this manual.
- d. If the walking belt still slows when walked on, see the front cover of this manual.

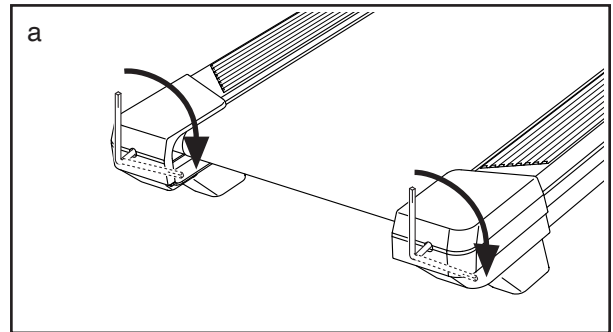
**SYMPTOM: The walking belt is not centered between the foot rails**

- a. **IMPORTANT: If the walking belt rubs against the foot rails (D), the walking belt may become damaged.** First, remove the key and **UNPLUG THE POWER CORD**. If the walking belt has **shifted to the left**, use the hex key to turn the left idler roller screw clockwise 1/2 of a turn; **if the walking belt has shifted to the right**, turn the left idler roller screw counterclockwise 1/2 of a turn. Be careful not to overtighten the walking belt. Then, plug in the power cord, insert the key, and walk on the treadmill for a few minutes. Repeat until the walking belt is centered.



**SYMPTOM: The walking belt slips when walked on**

- a. First, remove the key and **UNPLUG THE POWER CORD**. Using the hex key, turn both idler roller screws clockwise, 1/4 of a turn. When the walking belt is correctly tightened, you should be able to lift each edge of the walking belt 2 to 3 in. (5 to 7 cm) off the walking platform. Be careful to keep the walking belt centered. Then, plug in the power cord, insert the key, and walk on the treadmill for a few minutes. Repeat until the walking belt is properly tightened.



# EXERCISE GUIDELINES

**⚠️ WARNING:** Before beginning this or any exercise program, consult your physician. This is especially important for persons over age 35 or persons with pre-existing health problems.

These guidelines will help you to plan your exercise program. For detailed exercise information, obtain a reputable book or consult your physician. Remember, proper nutrition and adequate rest are essential for successful results.

## EXERCISE INTENSITY

Whether your goal is to burn fat or to strengthen your cardiovascular system, exercising at the proper intensity is the key to achieving results. You can use your heart rate as a guide to find the proper intensity level. The chart below shows recommended heart rates for fat burning and aerobic exercise.

165	155	145	140	130	125	115	♥️
145	138	130	125	118	110	103	♥️
125	120	115	110	105	95	90	♥️
<hr/>							
20	30	40	50	60	70	80	

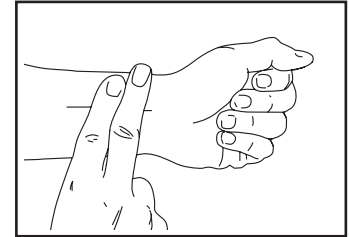
To find the proper intensity level, find your age at the bottom of the chart (ages are rounded off to the nearest ten years). The three numbers listed above your age define your “training zone.” The lowest number is the heart rate for fat burning, the middle number is the heart rate for maximum fat burning, and the highest number is the heart rate for aerobic exercise.

**Burning Fat**—To burn fat effectively, you must exercise at a low intensity level for a sustained period of time. During the first few minutes of exercise, your body uses carbohydrate calories for energy. Only after the first few minutes of exercise does your body begin to use stored fat calories for energy. If your goal is to burn fat, adjust the intensity of your exercise until your heart rate is near the lowest number in your training zone. For maximum fat burning, exercise with your heart rate near the middle number in your training zone.

**Aerobic Exercise**—If your goal is to strengthen your cardiovascular system, you must perform aerobic exercise, which is activity that requires large amounts of oxygen for prolonged periods of time. For aerobic exercise, adjust the intensity of your exercise until your heart rate is near the highest number in your training zone.

## HOW TO MEASURE YOUR HEART RATE

To measure your heart rate, exercise for at least four minutes. Then, stop exercising and place two fingers on your wrist as shown. Take a six-second heartbeat count, and multiply the result by 10 to find your heart rate. For example, if your six-second heartbeat count is 14, your heart rate is 140 beats per minute.



## WORKOUT GUIDELINES

**Warming Up**—Start with 5 to 10 minutes of stretching and light exercise. A warm-up increases your body temperature, heart rate, and circulation in preparation for exercise.

**Training Zone Exercise**—Exercise for 20 to 30 minutes with your heart rate in your training zone. (During the first few weeks of your exercise program, do not keep your heart rate in your training zone for longer than 20 minutes.) Breathe regularly and deeply as you exercise; never hold your breath.

**Cooling Down**—Finish with 5 to 10 minutes of stretching. Stretching increases the flexibility of your muscles and helps to prevent post-exercise problems.

## EXERCISE FREQUENCY

To maintain or improve your condition, complete three workouts each week, with at least one day of rest between workouts. After a few months of regular exercise, you may complete up to five workouts each week, if desired. Remember, the key to success is to make exercise a regular and enjoyable part of your everyday life.

## SUGGESTED STRETCHES

The correct form for several basic stretches is shown at the right. Move slowly as you stretch—never bounce.

### 1. Toe Touch Stretch

Stand with your knees bent slightly and slowly bend forward from your hips. Allow your back and shoulders to relax as you reach down toward your toes as far as possible. Hold for 15 counts, then relax. Repeat 3 times. Stretches: Hamstrings, back of knees and back.

### 2. Hamstring Stretch

Sit with one leg extended. Bring the sole of the opposite foot toward you and rest it against the inner thigh of your extended leg. Reach toward your toes as far as possible. Hold for 15 counts, then relax. Repeat 3 times for each leg. Stretches: Hamstrings, lower back and groin.

### 3. Calf/Achilles Stretch

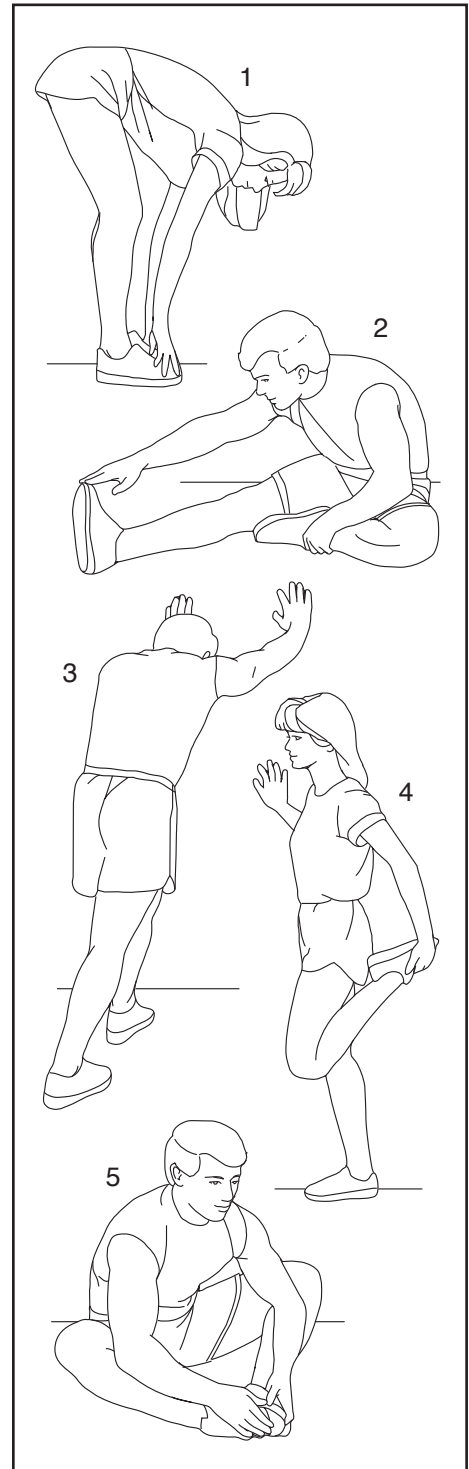
With one leg in front of the other, reach forward and place your hands against a wall. Keep your back leg straight and your back foot flat on the floor. Bend your front leg, lean forward and move your hips toward the wall. Hold for 15 counts, then relax. Repeat 3 times for each leg. To cause further stretching of the achilles tendons, bend your back leg as well. Stretches: Calves, achilles tendons and ankles.

### 4. Quadriceps Stretch

With one hand against a wall for balance, reach back and grasp one foot with your other hand. Bring your heel as close to your buttocks as possible. Hold for 15 counts, then relax. Repeat 3 times for each leg. Stretches: Quadriceps and hip muscles.

### 5. Inner Thigh Stretch

Sit with the soles of your feet together and your knees outward. Pull your feet toward your groin area as far as possible. Hold for 15 counts, then relax. Repeat 3 times. Stretches: Quadriceps and hip muscles.



---

# NOTES



---

# NOTES

# PART LIST

Model No. PFTL50921-INT.0 R0821A

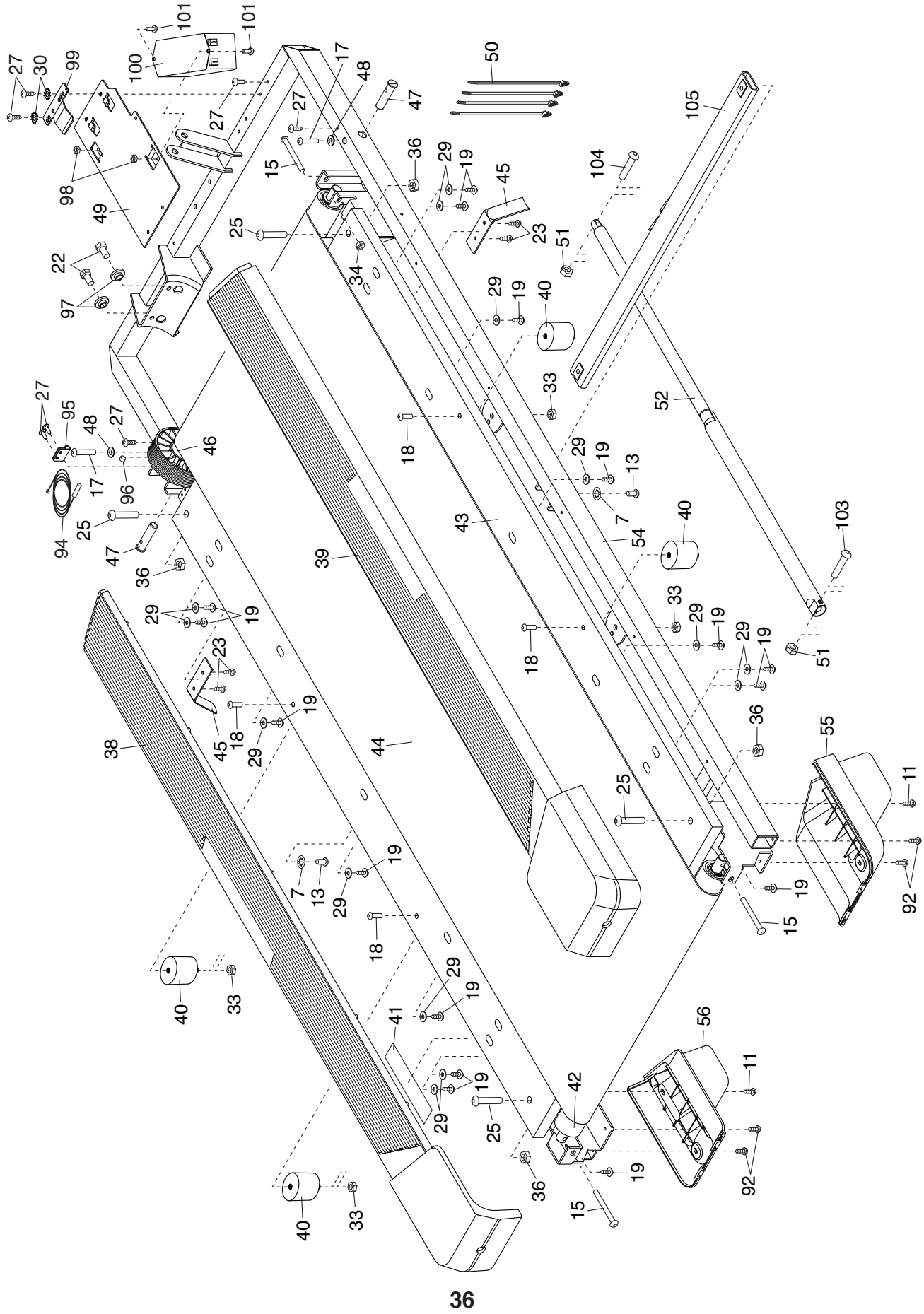
Key No.	Qty.	Description	Key No.	Qty.	Description
1	2	#8 x 1/2" Ground Screw	50	4	Plastic Tie
2	4	3/8" x 2 3/8" Screw	51	2	5/16" Nut
3	2	3/8" x 1 1/4" Screw	52	1	Storage Latch
4	2	3/8" x 1 1/2" Screw	53	1	Motor Belt
5	4	5/16" x 2" Screw	54	1	Frame
6	6	3/8" Star Washer	55	1	Right Rear Foot
7	14	5/16" Star Washer	56	1	Left Rear Foot
8	4	#10 Star Washer	57	1	Motor Hood
9	4	#10 x 3/4" Screw	58	1	Hood Accent
10	8	#8 x 1/2" Screw	59	2	Incline Frame Spacer
11	46	#8 x 3/4" Screw	60	4	3/8" Plastic Bushing
12	1	Right Handrail Bottom	61	1	Incline Motor
13	10	5/16" x 3/4" Screw	62	2	Frame Spacer
14	1	Left Handrail Bottom	63	1	Incline Frame
15	3	M6 x 55mm Screw	64	2	Incline Motor Spacer
16	2	3/8" x 1 1/8" Screw	65	1	Controller
17	2	1/4" x 1 1/4" Screw	66	1	Power Cord
18	4	1/4" x 1" Screw	67	1	Receptacle
19	16	#8 x 5/8" Screw	68	1	Power Switch
20	1	3/8" x 1 3/4" Bolt	69	1	Belly Pan
21	1	3/8" x 1 1/2" Bolt	70	1	Left Handrail Cover
22	2	5/16" Motor Screw	71	1	Right Handrail Cover
23	4	#8 x 7/16" Screw	72	2	Handrail
24	2	Wheel	73	1	Console Frame
25	4	3/8" x 1 1/2" Bolt	74	1	Console Base
26	1	Key/Clip	75	1	Handrail Crossbar
27	7	#8 x 1/2" Washer Head Screw	76	1	Console Ground Wire
28	6	#8 x 1" Screw	77	1	Upright Crossbar
29	14	7/32" Washer	78	1	Left Upright
30	2	#8 Star Washer	79	1	Right Upright
31	1	Console	80	1	Upright Wire
32	2	3/8" Thrust Washer	81	2	Grommet
33	4	1/4" Jam Nut	82	4	Base Cap
34	1	M6 Nut	83	2	Front Base Pad
35	3	#8 Clip	84	2	Base Pad
36	10	3/8" Jam Nut	85	1	Left Tray
37	2	3/8" x 2 1/2 Bolt	86	1	Right Tray
38	1	Left Foot Rail	87	2	Caution Decal
39	1	Right Foot Rail	88	1	Base
40	4	Platform Cushion	89	1	Fan
41	1	Warning Decal	90	2	Wire Tie
42	1	Rear Roller	91	1	Drive Motor
43	1	Walking Platform	92	12	#8 x 3/4" Truss Head Screw
44	1	Walking Belt	93	2	Fan Screw
45	2	Belt Guide	94	1	Reed Switch
46	1	Front Roller/Pulley	95	1	Reed Switch Clamp
47	2	3/8" Pin	96	1	Magnet
48	2	9/32" Plastic Bushing	97	2	Motor Bushing
49	1	Controller Plate	98	2	#8 Nut

Key No.	Qty.	Description	Key No.	Qty.	Description
99	1	Controller Clamp	103	1	5/16" x 2 1/4" Bolt
100	1	Filter	104	1	5/16" x 1 3/4" Bolt
101	2	#8 x 1/2" Machine Screw	105	1	Latch Crossbar
102	1	Motor Isolator	*	–	User's Manual

Note: Specifications are subject to change without notice. For information about ordering replacement parts, see the back cover of this manual. \*These parts are not illustrated.

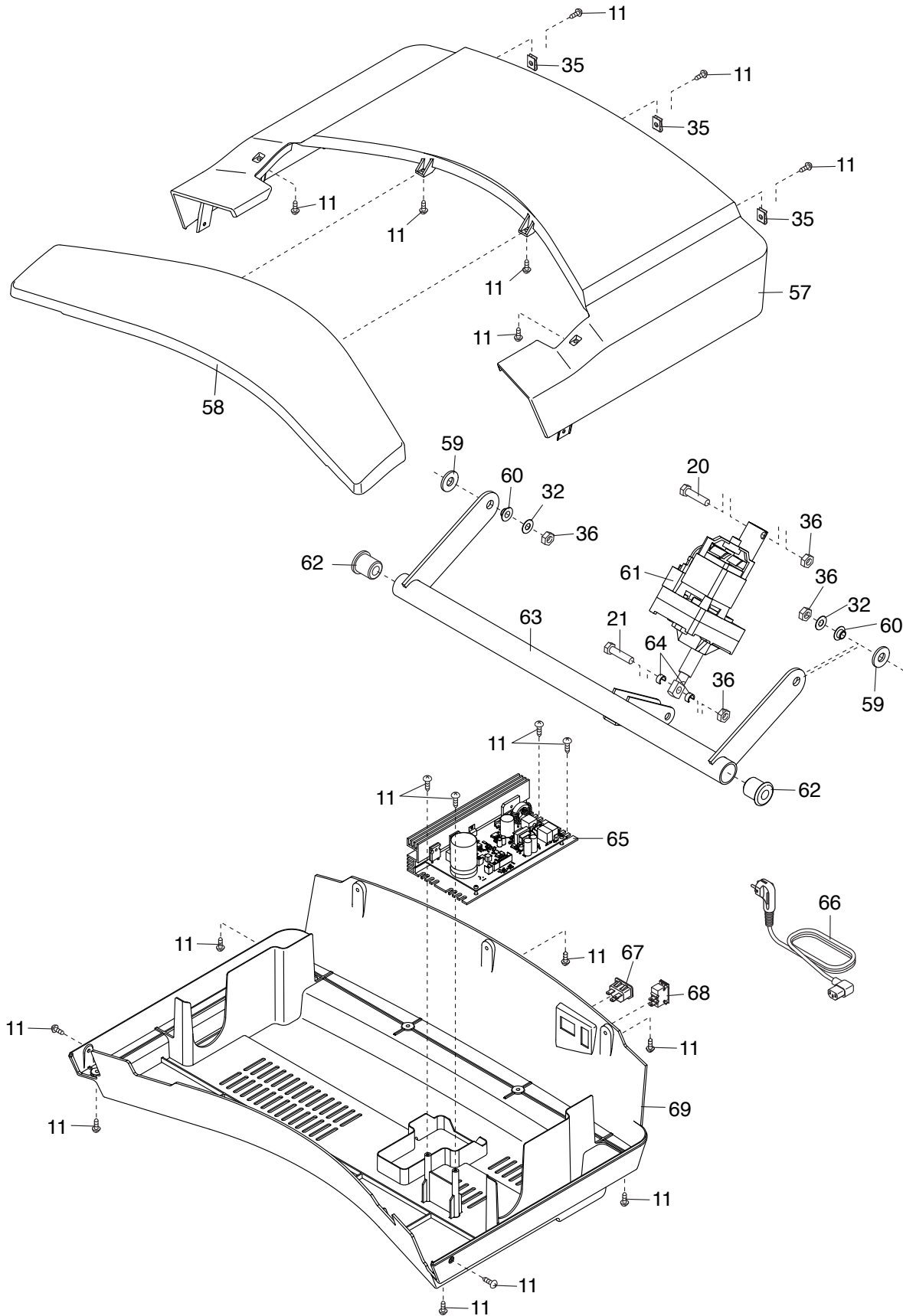
# EXPLODED DRAWING A

Model No. PFTL50921-INT.0 R0821A



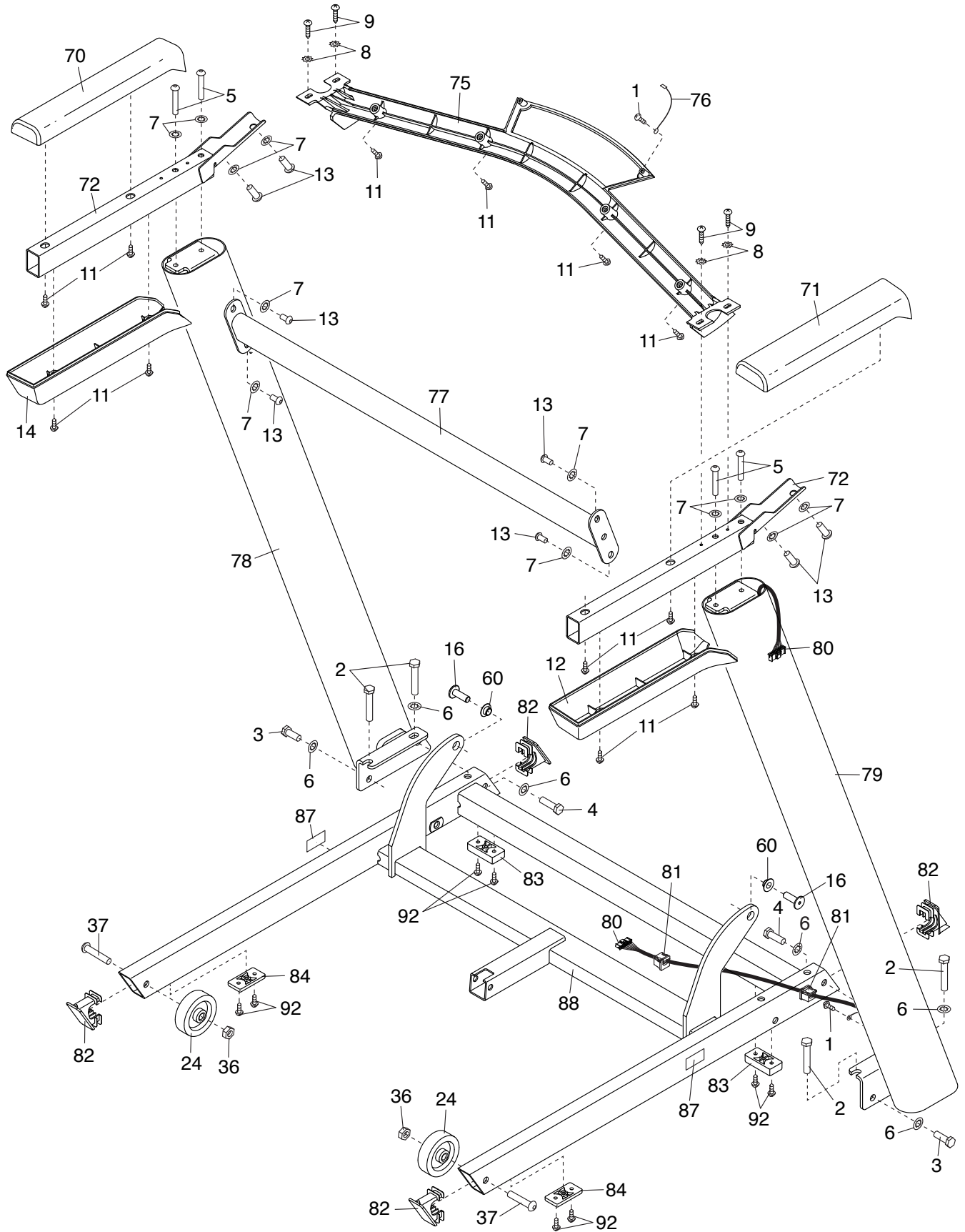
# EXPLODED DRAWING B

Model No. PFTL50921-INT.0 R0821A



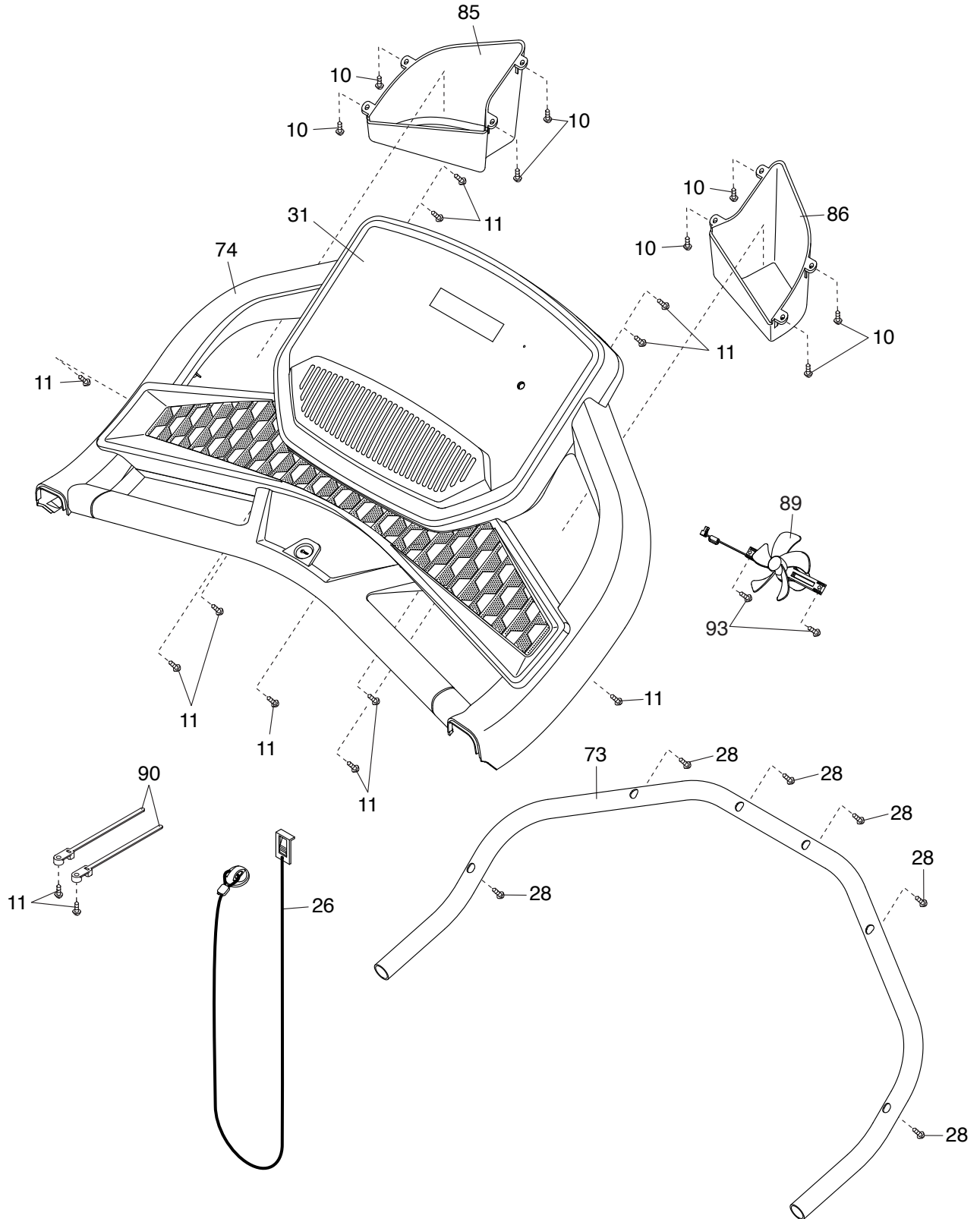
# EXPLODED DRAWING C

Model No. PFTL50921-INT.0 R0821A



# EXPLODED DRAWING D

Model No. PFTL50921-INT.0 R0821A



---

## ORDERING REPLACEMENT PARTS

To order replacement parts, please see the front cover of this manual. To help us assist you, be prepared to provide the following information when contacting us:

- the model number and serial number of the product (see the front cover of this manual)
- the name of the product (see the front cover of this manual)
- the key number and description of the replacement part(s) (see the PART LIST and the EXPLODED DRAWING near the end of this manual)

---

## RECYCLING INFORMATION

**This electronic product must not be disposed of in municipal waste. To preserve the environment, this product must be recycled after its useful life as required by law.**

Please use recycling facilities that are authorized to collect this type of waste in your area. In doing so, you will help to conserve natural resources and improve European standards of environmental protection. If you require more information about safe and correct disposal methods, please contact your local city office or the establishment where you purchased this product.

