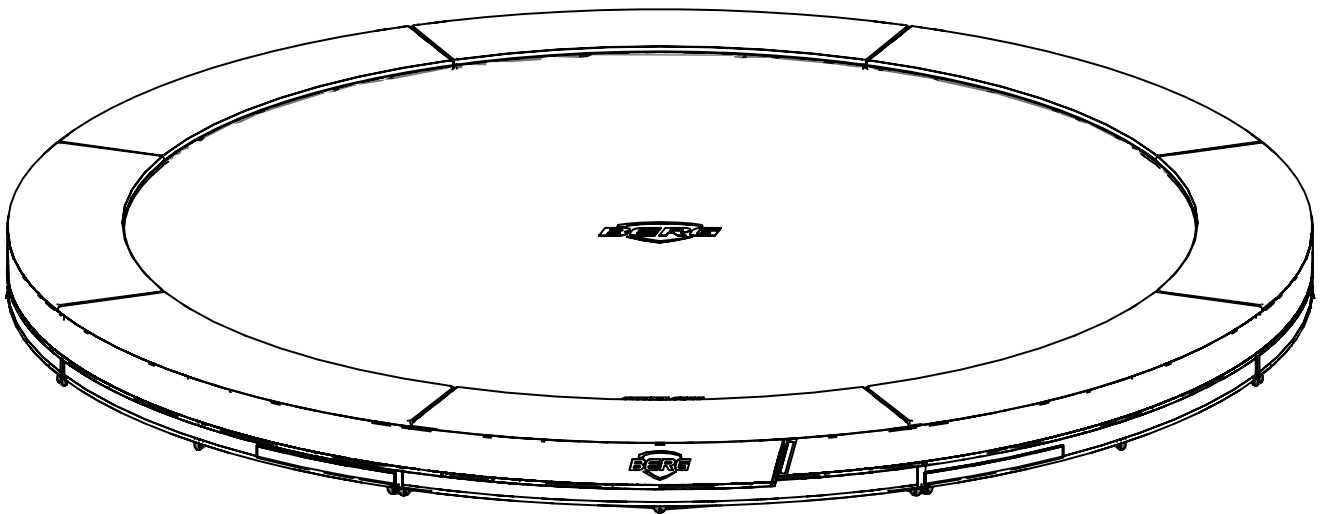
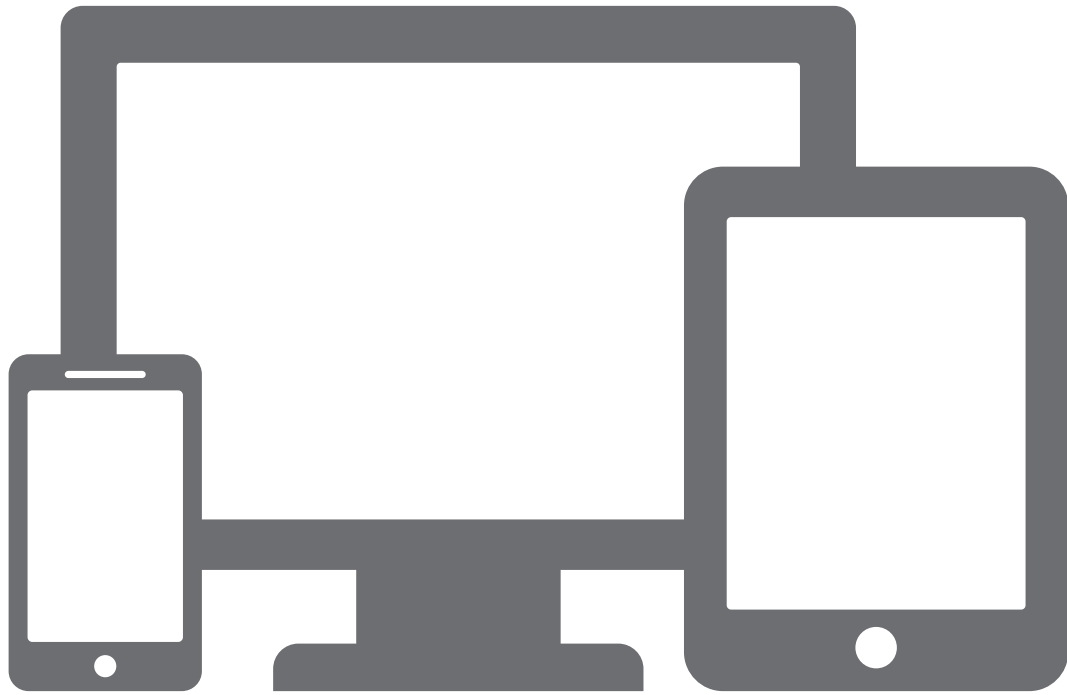




***BERG Champion
/ Elite InGround***

User manual
Gebruikshandleiding
Gebrauchsanweisung
Mode d'emploi
Brugermanual
Instruktionsbok
Bruksanvisningen
Käyttöopas
Manuale di istruzioni
Manual de instrucciones

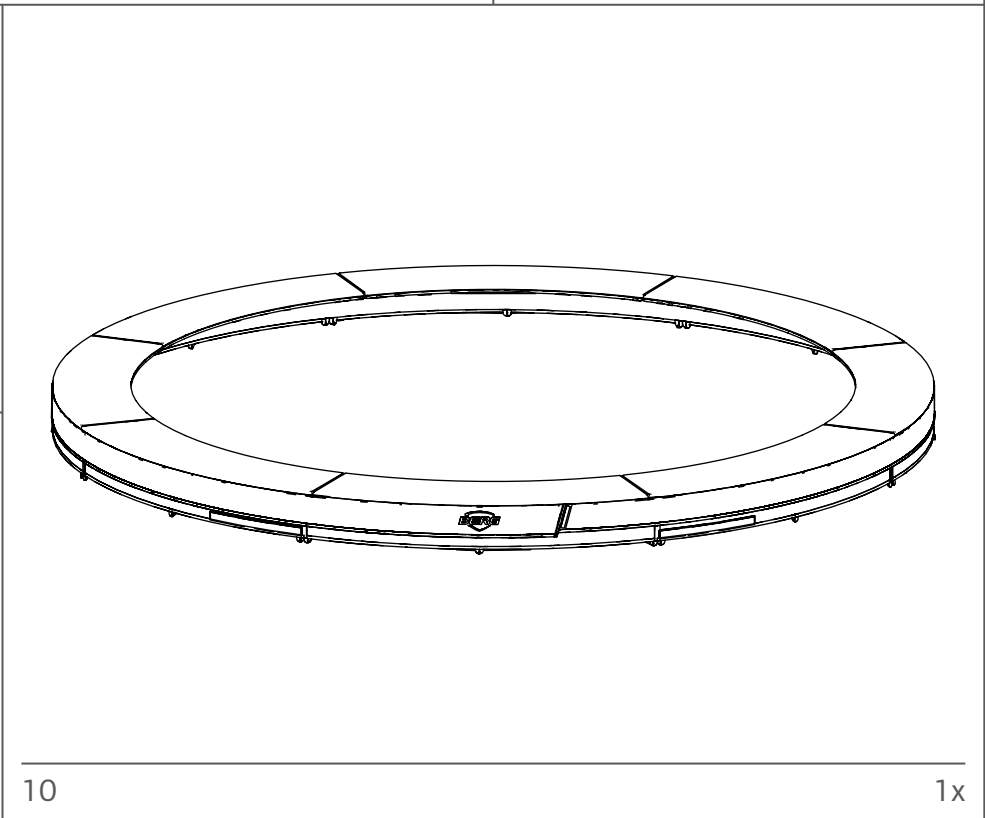
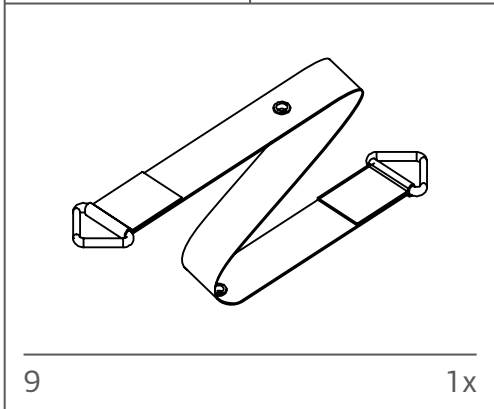
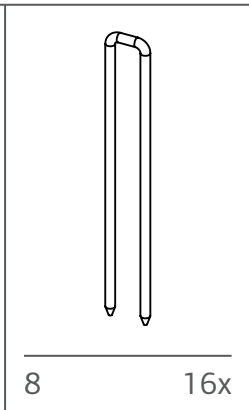
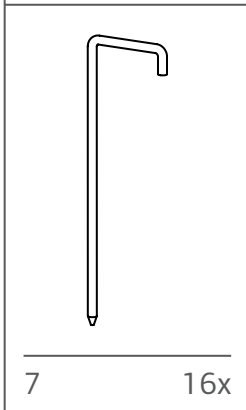
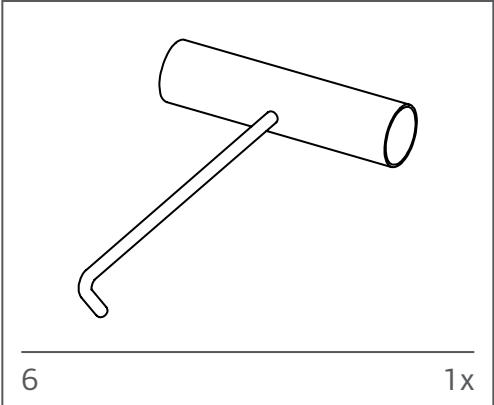
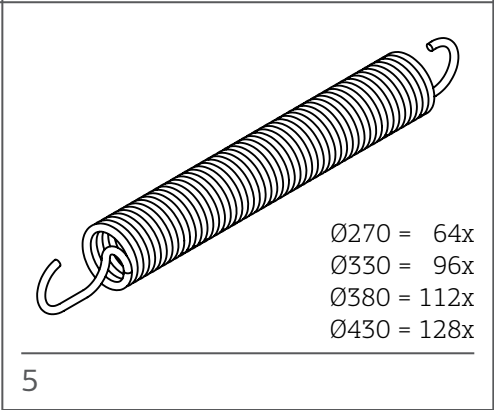
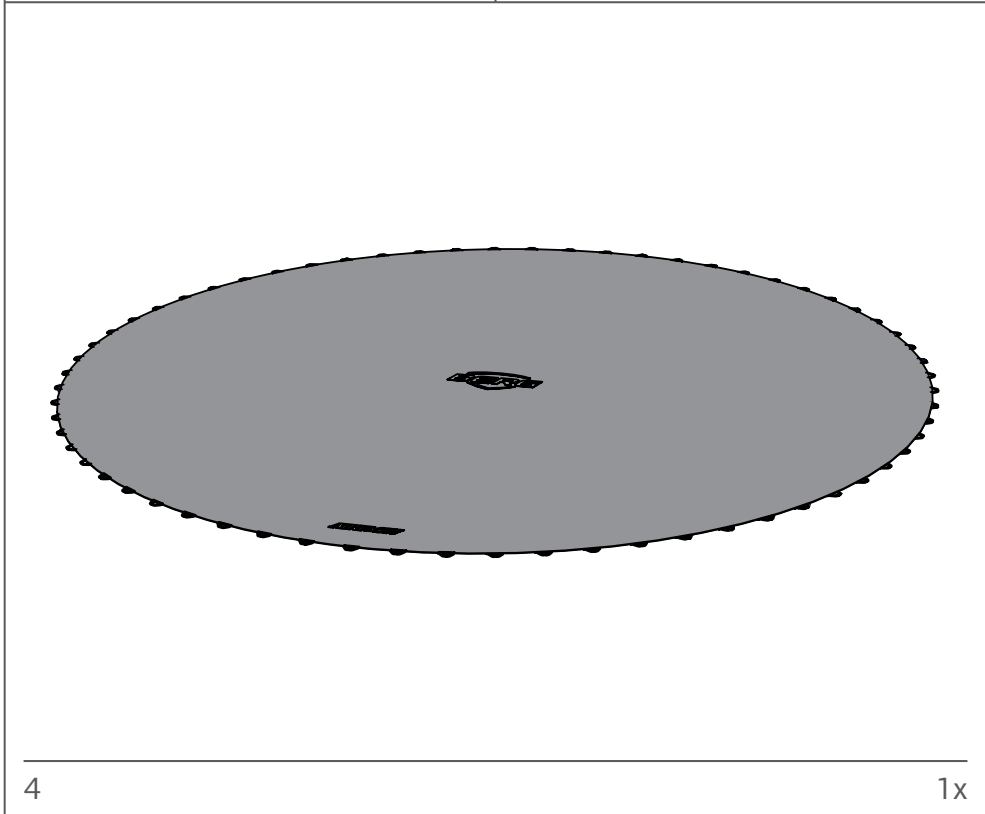
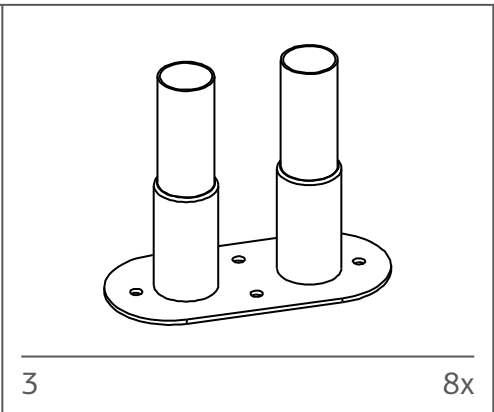
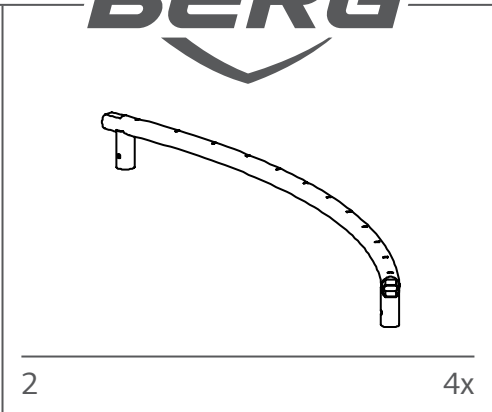
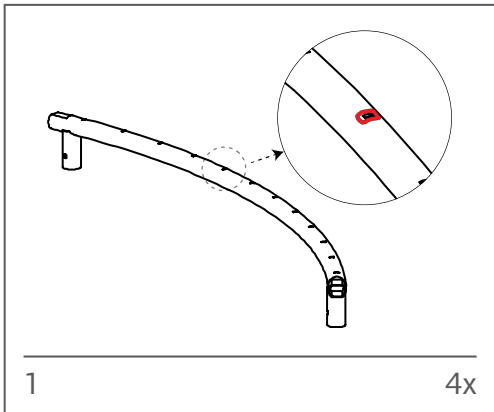




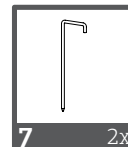
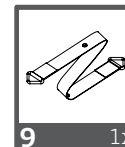
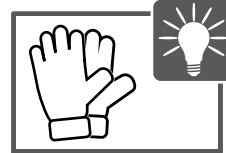
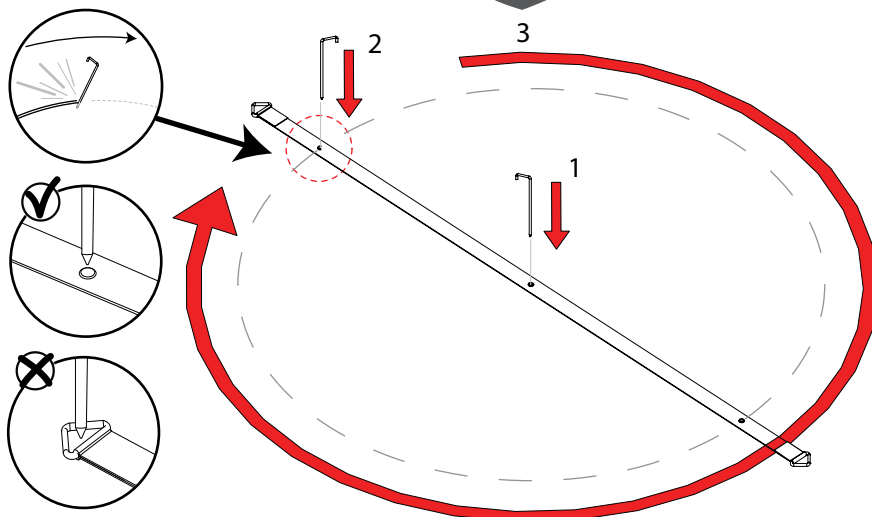
Go to the BERG toys channel on



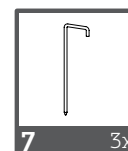
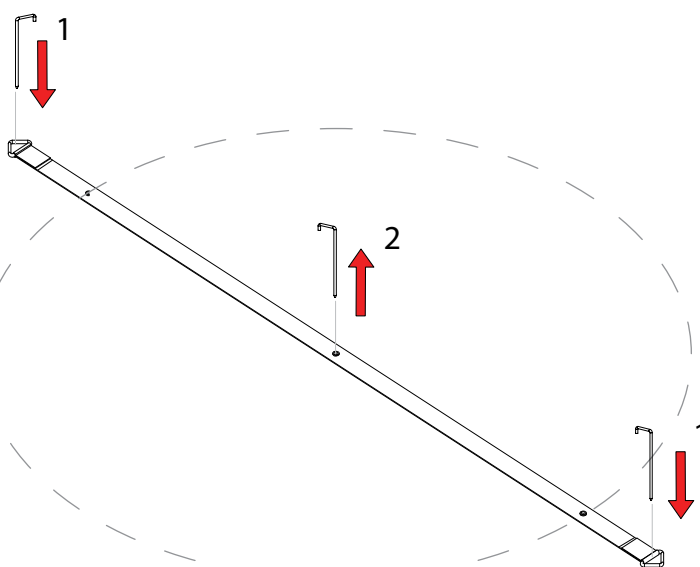
for installation instruction video's
www.youtube.com/bergtoys



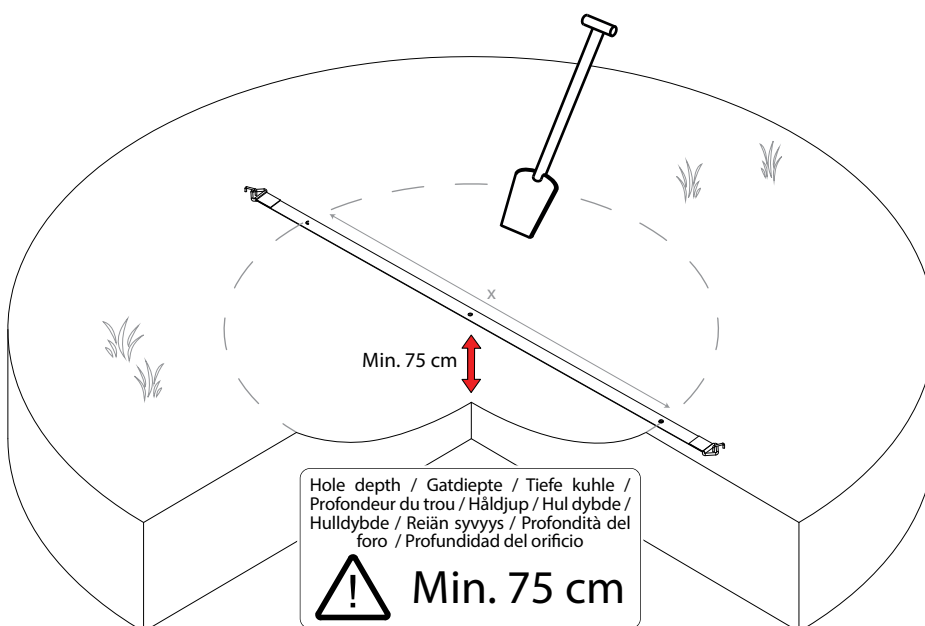
1



2



3

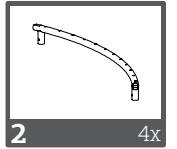
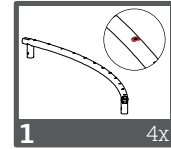
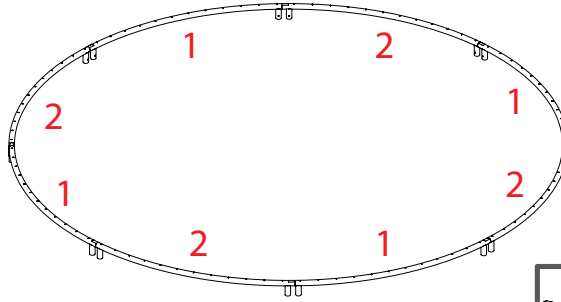
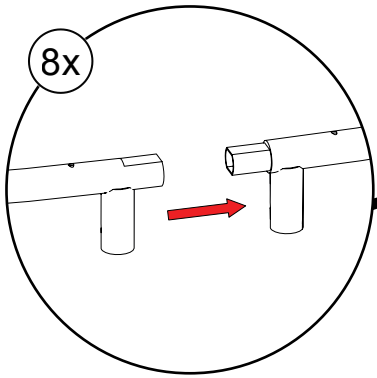


Hole depth / Gatdiepte / Tiefe kuhle /
 Profondeur du trou / Håldjup / Hul dybde /
 Hulldybde / Reian syvvyys / Profondità del
 foro / Profundidad del orificio

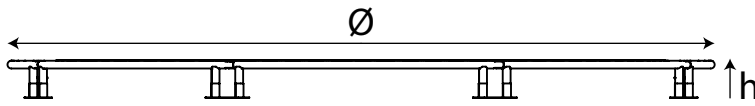
Min. 75 cm

	X
Ø 270	2,3 m
Ø 330	2,9 m
Ø 380	3,4 m
Ø 430	3,9 m

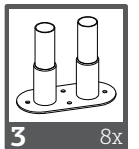
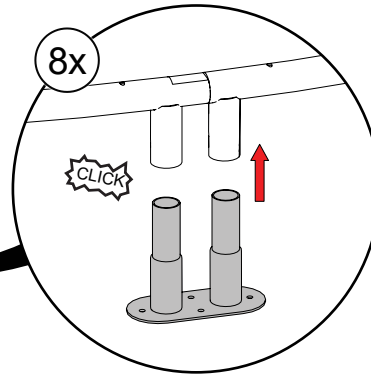
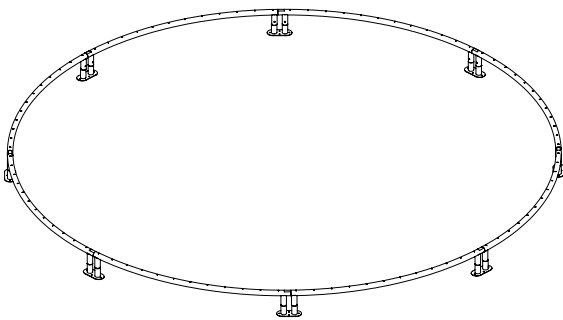
4



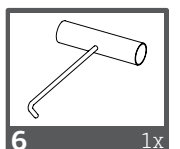
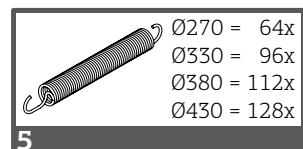
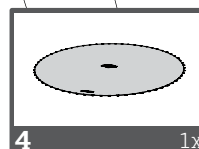
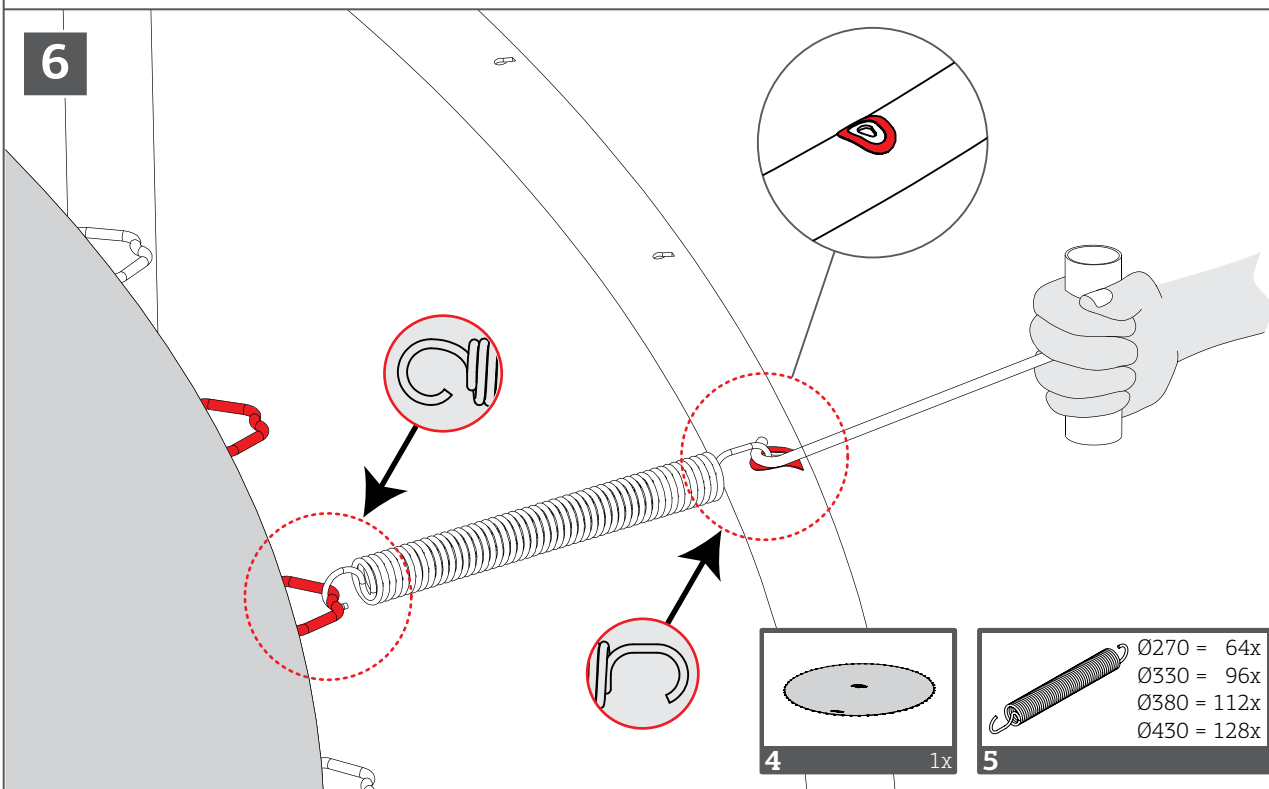
5

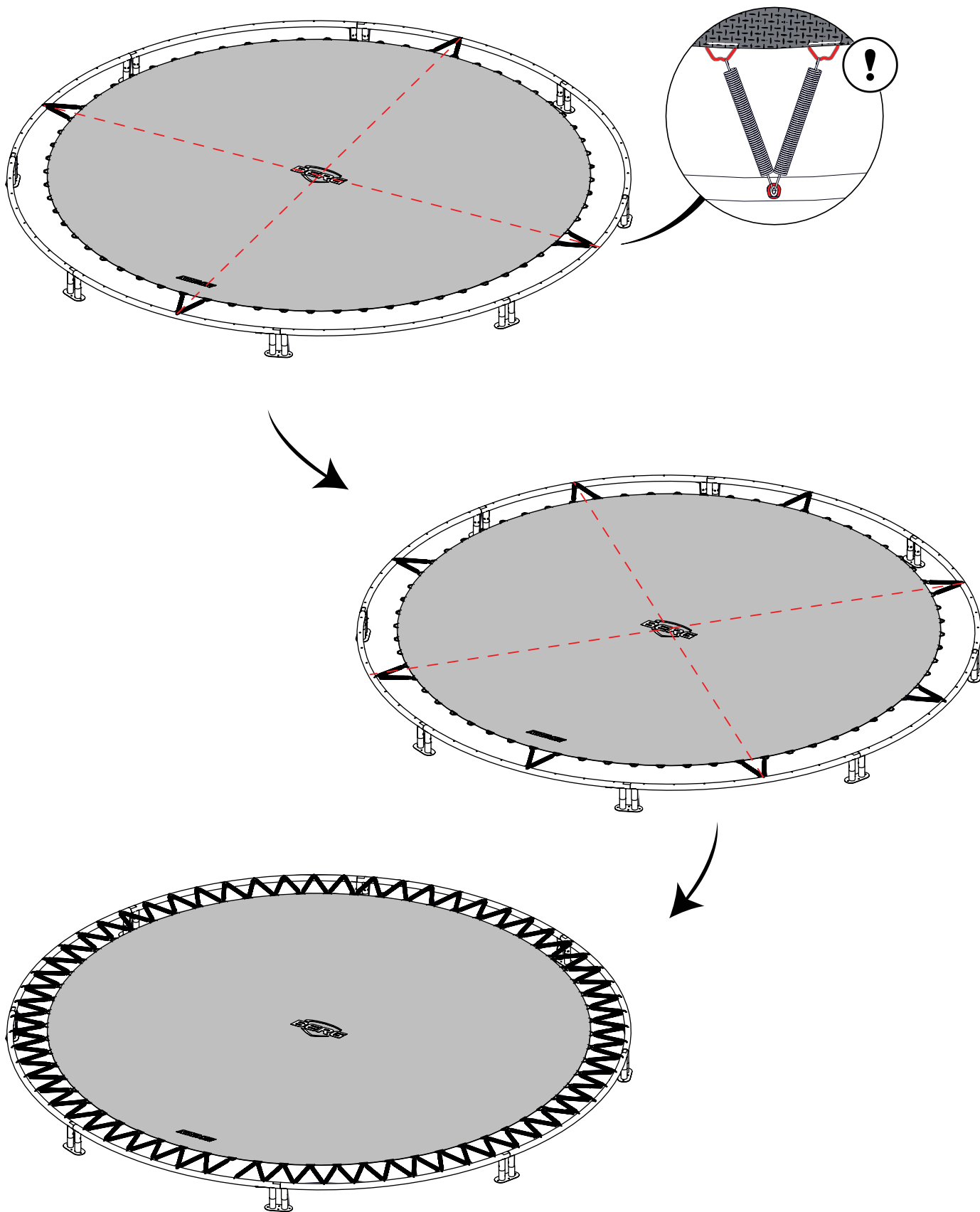


	Ø	h
	Ø 270	2,7 m
	Ø 330	3,3 m
	Ø 380	3,8 m
	Ø 430	4,3 m

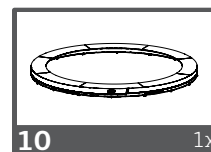
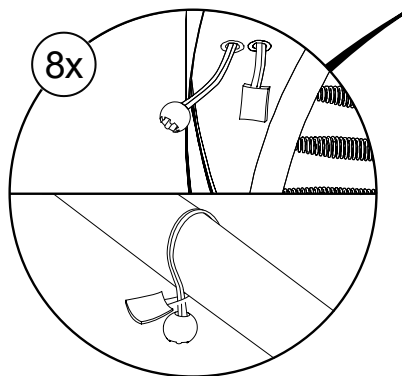
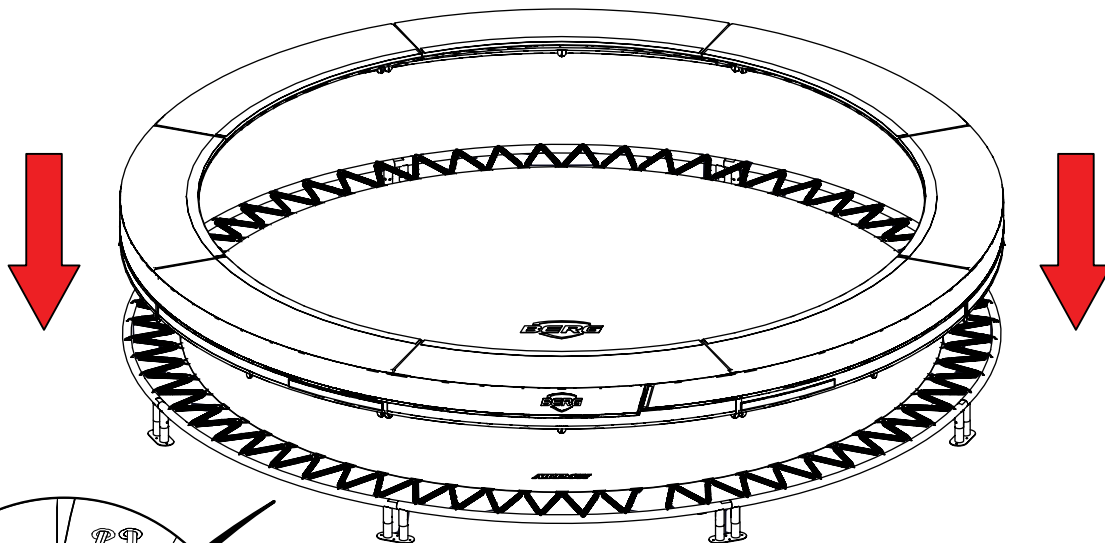


6

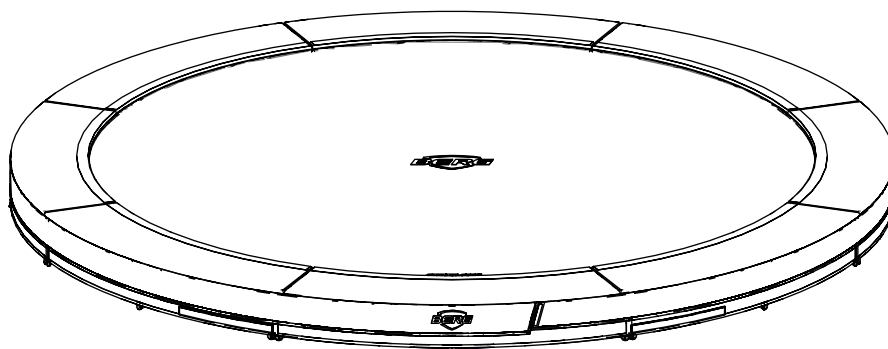




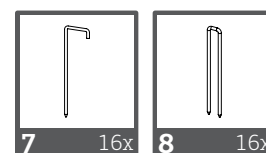
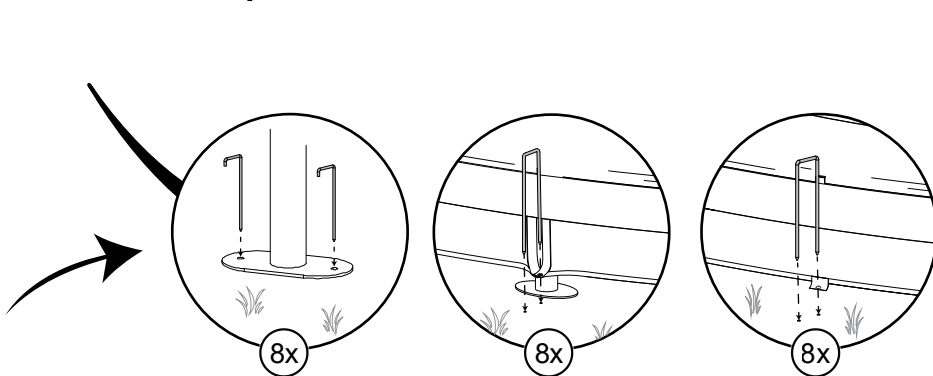
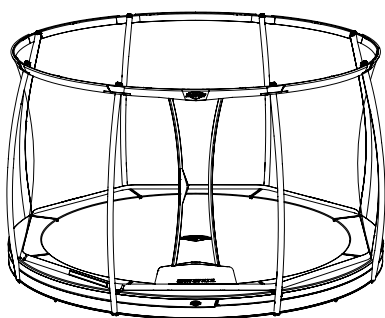
8



9



InGround
+
Safety Net





Index

1. Introduction
2. Warnings
3. Information
4. Jumping instructions
 - 4.1 Jumping Instructions
 - 4.2 Basic jumps
5. Assembly and maintenance instructions
 - 5.1 Installation and dismantling
 - 5.2 Maintenance instructions
6. Warranty
 - 6.1 Warranty period
 - 6.2 Warranty conditions

This trampoline is suitable for domestic use. Information about which trampolines are suitable for public use (such as use on campsites, in holiday parks, at restaurants, etc.) can be found at www.bergtoys.com.

1. Introduction

Thank you for choosing BERG as your trampoline purchase of choice. We are confident you will get many years of beneficial use and jumping pleasure. Trampoline usage encourages active and healthy play. It has a positive impact on stress, physical condition and blood circulation. Trampoline jumping is for the young and young at heart! This manual provides tips about assembly, safe use and jumping instructions for many years of trouble-free use. Jumping on a trampoline is not dangerous as long as you follow the safety instructions. BERG wishes you a fun and active jumping experience!

Attention! This manual is suitable for several types of trampolines. When reading the manual, pay attention to which information applies to your trampoline.

2. Warnings

General warnings:

- The maximum user weight is:

Ø270	Ø330	Ø380	Ø430
70kg	100kg	110kg	120kg

- Not suitable for children under 36 months. Fall hazard.
- Not suitable for children under 36 months. Choking hazard, small parts.
- The trampoline should be assembled in accordance with the assembly instructions. Review the assembled trampoline prior to first use.
- The BERG trampoline is for outdoor use only.
- Read instructions thoroughly and keep for future reference.
- Only one user. Collision hazard. Use by multiple persons can cause serious injury.
- Jump without shoes
- Do not use the jump mat when it is wet.
- Empty pockets and hands before jumping.
- Always jump in the middle of the jump mat.
- Do not eat while jumping.
- Do not exit by a jump.
- Limit the time of continuous usage (make regular stops).
- Do not use in strong wind conditions and secure the trampoline.
- No somersaults. Landing on the head or neck can cause serious injury, even when landing in the middle of the jump mat.
- Adult supervision required.
- Usage of BERG trampoline while under the influence of alcohol or drugs is prohibited.
- The padding can become very hot in direct sunlight, be careful.
- Keep fire and other heat sources away from the trampoline.
- Objects and other obstacles that can interfere with jumping should be prohibited from the jumping area.
- Objects, animals or persons are prohibited underneath the BERG trampoline.
- Always jump in the middle of the mat. Avoid jumping on mat edge and trampoline padding.
- Movements that cause considerable friction (such as a “sliding” action) on the printing on the jumping mat or the padding are not recommended. Heavy friction when sliding over the printing on the jumping mat or the padding could result in the ink rubbing off onto skin or clothing. It may be difficult to remove the ink from clothing. The ink meets the stringent chemical requirements imposed on toy products, therefore contact with the skin or ingestion of this ink has no harmful effects on human health.

Regular warnings:

- The BERG trampoline is not recommended for use by children under 6 years of age.
- This trampoline is not intended to be dug into the ground and used as an in-ground configuration.
- Installing the BERG trampoline on concrete, asphalt or any other hard surface or in proximity of other playground installations (pools, swings, slide sets or any other play structures) is prohibited.
- See Chapter 9 for additional warnings about the safety net.

InGround warnings:

- When used with a safety net the BERG trampolines is not recommended for use by children under 6 years of age.
- When used without a safety net the BERG trampoline is not recommended for use by children under 14 years of age.
- A hole must be dug in the ground to install the trampoline. If you are uncertain about the groundwork, contact a professional.
- Objects, animals and people are not allowed under the BERG Trampoline. If you remove the protective edge, check that nothing is lying underneath the trampoline before reattaching it.
- Installing the BERG trampoline on concrete, asphalt or any other hard surface or in proximity of other playground installations (pools, swings, slide sets or any other play structures) is prohibited.
- If the trampoline is used with a safety net, see Chapter 6 for additional warnings about safety nets.



FlatGround warnings:

- When used with a safety net the BERG trampolines is not recommended for use by children under 6 years of age.
- When used without a safety net the BERG trampoline is not recommended for use by children under 14 years of age.
- A hole must be dug in the ground to install the trampoline. If you are uncertain about the groundwork, contact a professional.
- Objects, animals and people are not allowed under the BERG Trampoline. If you remove the protective edge, check that nothing is lying underneath the trampoline before reattaching it.
- If the trampoline is used with a safety net, see Chapter 9 for additional warnings about safety nets.

Safety Net warnings:

- Ensure entrance of safety net is completely closed prior to BERG trampoline usage.
- Jumping over the safety net is prohibited.
- Crawling between trampoline padding and underside of safety net is prohibited.
- The safety net is intended to make trampolining safer; do not deliberately jump into the safety net or hang onto the net or climb up it.
- Ensure clothing of user does not contain any hooks, loops, drawstrings or other loose parts that could potentially latch on to the safety net.
- Attaching non-BERG compliant accessory or sparepart to the BERG safety net is prohibited.
- Climbing on the poles of the safety net is prohibited.
- Safety net entrance is the only entrance or exit point of the BERG trampoline.
- Keep fire away from the safety net.
- The net should be replaced every 5 year(s) (or earlier when loss of functionality).
- We recommend dismantling the safety net prior to severe windy or gusty weather conditions.

3. Information

- BERG product to be used as defined in manual. Usage that deviates from manual instruction may potentially lead to serious injury or damage of product. Read all instructions prior to trampoline usage. To ensure safe and enjoyable usage of the BERG trampoline, warnings, instructions for care and maintenance are included.
- Ensure a minimum clearance of at least 2 meters from trees, fences and any other surrounding obstacles.
- It is required to have a minimum overhead clearance of 7 meters measured from the ground.
- For safety reasons, unless BERG-approved, modifications or changes to the trampoline are prohibited.

4. Jumping instructions

4.1 Jumping instructions

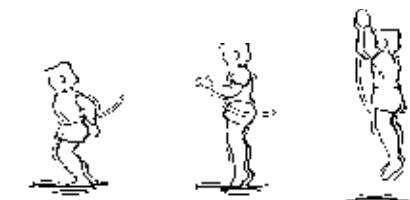
- When using a BERG Trampoline, it is essential that the correct posture is assumed. The correct posture and balance are obtained by tightening the right muscles, making it possible to practise trampolining safely.
- Good posture ensures safe usage of the BERG trampoline. When jumping, the body is exposed to shocks that require correct absorption. By tensing your muscles, you obtain better control over your balance and this results in more the jumping resilience. In contrast, a more relaxed posture leads to loss of energy and jumping resilience. Begin with the basic jumps and jumping positions and only increase complexity when mastered.
- To come to a stop position when jumping, bend and flex knees when your feet touch the mat. Learn this skill before attempting others.
- Learn fundamental bounces and body positions thoroughly before trying more advanced skills. A variety of jumping techniques can be carried out solo or in series and/or combinations between bounces.
- Avoid bouncing too high. First obtain jumping control with proper landing position in middle of mat. From a safety perspective, control is more important than height.
- To ensure and maintain control while jumping, ensure jumping posture is straight, head is in upright position and eyes are focused on the jump mat.
- Check the condition of the springs (broken or excessive stretching) and the attachment of the springs

to the frame and jumping mat. The springs and the suspension system are subject to wear and tear; replace worn parts in time.

4.2 Basic jumps

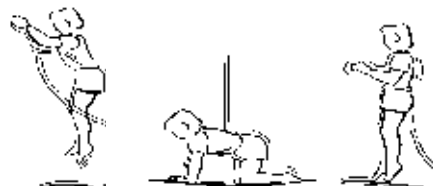
Basic bounce

Upright position, head held in upright position. Eyes focused on the jump mat. While jumping upwards, swing arms forward and in circular motion and point your toes downwards. Keep feet positioned together, toes pointed downwards when returning back to the Jump mat. When landing on the Jump mat, keep your feet approximately 40 cm apart.



Hands and knees bounce

Commence with basic bounce. Keep eyes focused on jump mat. Swing arms forward and in circular motion. Land on hands and knees. Push off with hands and return to upright position.



Seat drop

Commence with basic bounce. Keep eyes focused on jump mat. Land in sitting position. Place hands next to hips on jump mat when in sitting position. Push off with hands and return to upright position.



Stomach jumps

Commence with basic bounce and land on your stomach. Keep head straight. Keep arms extended forward on the jump mat. Push off with hands and return to upright position.



Back drop

Commence with basic bounce and land on your back. Keep chin pressed against your chest during landing. Kick forward and up with legs when returning to a standing position.



5. Assembly and maintenance instructions

5.1 Installation and dismantling

General installation and dismantling:

- Do not install the trampoline during windy weather, but wait until the wind has abated.
- We recommend wearing work gloves when installing the products.
- Ensure that the BERG Trampoline is installed on level ground. Use a spirit level to check this.
- The trampoline may have fixings with self-locking nuts. These self-locking nuts are for single use only and must be replaced when dismantling and reinstalling the trampoline.
- See page 3 and onwards for instructions on how to install the product.
- Install accessories according to the installation manual /guide.
- Should the trampoline require movement to another current location (short distance), disassemble the anchors (if any) first prior to relocation. It is recommended the trampoline be lifted via the top rails by at least 4 adults.
- Should the trampoline be removed and placed in an alternative area not close to original location, disassemble and place in original packaging. Re-assemble in accordance to the assembly and installation instructions.



InGround installation and dismantling:

- Location: Find a suitable place for the installation of the trampoline ensuring there are no surrounding obstacles. Verify soil condition and characteristics of designated location to determine installation suitability.
- While digging the hole, soil should be firm to avoid collapsing due to erosion. If necessary, strengthen the sides of the hole or make them smooth to prevent this.
- If the ground is too hard to dig, it would be better to choose another location, or contact a groundwork professional.
- Verify if a high ground-water level does not contribute to a collection of water in the hole. In addition, verify there is adequate drainage to dispose rain water.
- In addition, verify there is adequate drainage to dispose rain water.

FlatGround installation and dismantling:

- Location: Find a suitable place for the installation of the trampoline ensuring there are no surrounding obstacles. Verify soil condition and characteristics of designated location to determine installation suitability.
- While digging the hole, soil should be firm to avoid collapsing due to erosion. If necessary, strengthen the sides of the hole or make them smooth to prevent this.
- If the ground is too hard to dig, it would be better to choose another location, or contact a groundwork professional.
- Verify if a high ground-water level does not contribute to a collection of water in the hole. In addition, verify there is adequate drainage to dispose rain water.
- In addition, verify there is adequate drainage to dispose rain water.

5.2 Maintenance instructions

General maintenance instructions:

- Inspect the BERG Trampoline before each use according to the installation instructions and replace defective, worn or missing parts. Ignoring these instructions and failing to carry out maintenance could lead to dangerous situations and unnecessary risks for the user. To order original BERG Trampoline parts and accessories, please refer to your dealer or visit www.bergtoys.com.
- Check the condition of the frame parts (broken welds, bent frame or sharp and protruding parts) and replace them if necessary.
- Check the condition of the springs (broken or excessive stretching) and the attachment of the springs to the frame and jumping mat. The springs and the suspension system are subject to wear and tear; replace worn parts in time.
- Check that the bolt connections are tight and retighten them if necessary. Check that the connections (pressure pins) are secure and check that they do not come loose when trampolining.
- Check the condition of the jumping mat (damage, wrong tension, loose stitching or sagging of the mat). The jumping mat will wear out through use and exposure to sunlight (UV radiation). Replace the jumping mat in time when the condition of the mat starts to deteriorate.
- Check the condition of the protective edge and its attachment to the frame. Replace a defective protective edge.
- Fertilisers (liquid fertiliser or fertiliser granules, etc) must not be used within a 2-metre radius of a BERG Trampoline. The use of such products can be harmful to the trampoline materials.
- The jumping mat and protective edge are easily cleaned with a cloth and some cold or lukewarm water. Do not use solvents, detergent, soap powder or hot water under any circumstances.
- Repairs must be carried out by a professional. Please consult your BERG dealer.

Regular maintenance instructions:

- Strong winds and gusts can displace the trampoline. We recommend anchoring the trampoline with stakes or sandbags, or removing the jumping mat prior to windy weather.
- In some countries, the weight of the snow in winter and the very low temperatures can damage the trampoline. BERG recommends storing the jumping mat and the safety net indoors in winter.
- Ensure a secure and safe environment when the trampoline is not in use. Protect it against unauthorized use. When a trampoline ladder is used, remove when left unattended. This to ensure no access for children without supervision.
- If the trampoline is not used for short periods of time and to avoid jump mat debris caused by fallen leaves and twigs, BERG recommends usage of a BERG Weather Cover. When the trampoline is not used for a longer period of time (e.g. during the winter) BERG recommends storing the trampoline, especially the protective padding, in a dry area to support product longevity.

InGround maintenance instructions:

- After a rainy period and prior to usage, inspect the trampoline hole. Ensure there is adequate drainage to dispose of rain water.
- As per the diagram in the installation manual, use the included tape measure (located in the packaging) to measure and determine the correct diameter, depth and shape of the dug hole. Ensure the hole will be dug according to specifications and that the walls are shaped not too steep. Deviation from hole specifications can result in unwanted wall collapse and trampoline instability.
- The legs of the trampoline support the trampoline frame. Ensure the position of the legs are equal in height and rest firmly on the ground. Anchor the legs with the supplied stakes.
- Inspect the hole under the trampoline regularly (at least 1x per year) and take corrective action if necessary. As indicated in the installation instructions, check the hole for the right depth, the right shape, the stability of the frame, and whether the trampoline is still level with the ground. Check the hole for hidden objects and remove them if necessary.
- In some countries, the weight of the snow in winter and the very low temperatures can damage the trampoline. BERG recommends clearing snow from the trampoline on a regular basis.
- When the trampoline is not used over short periods, it can be covered with a BERG Cover, which will keep the trampoline free from leaves and twigs. When the trampoline is not used over longer periods (e.g. during winter),

FlatGround maintenance instructions:

- After a rainy period and prior to usage, inspect the trampoline hole. Ensure there is adequate drainage to dispose of rain water.
- As per the diagram in the installation manual, use the included tape measure (located in the packaging) to measure and determine the correct diameter, depth and shape of the dug hole.
- Inspect the hole under the trampoline regularly (at least 1x per year) and take corrective action if necessary. As indicated in the installation instructions, check the hole for the right depth, the right shape, the stability of the frame, and whether the trampoline is still level with the ground. Check the hole for hidden objects and remove them if necessary.



6. Warranty

6.1 Warranty period

BERG trampolines are of excellent quality. To provide you with years of carefree fun on our trampolines, BERG offers you a functionality warranty. A functionality warranty is a warranty regarding its functional use. Please consult the table below for the term of this warranty (years).

Frame	10
Frame (after product registration)	13 (10+3)
Padding (Elite)	5
Padding (Champion)	2
Jump mat	2
Springs	5
Safety Net	2

With exception to the 1 year warranty of the BERG weather cover basic, the BERG safety nets and accessories are subject to a warranty period of 2 years. Parts that are susceptible to wear and tear (eg. elastics), the influences of weather (eg. rust and discolouration) and the foam on the BERG safety net tubes are excluded from warranty.

6.2 Warranty conditions

The owner of the product can only claim warranty by presenting the original receipt of purchase. The warranty applies only to material and manufacturing defects related to the BERG product and related parts.

The warranty becomes nul and void if:

- The product is used improperly and / or negligently.
- The product is not assembled and maintained in accordance with the instruction manual.
- Technical repairs made to the product are not carried out in a professional manner.
- Replacement parts do not correspond to the technical specifications of the product in question or are installed incorrectly.
- Damage caused by the influences of weather such as rust, UV rays or normal wear and tear.
- Improper burial of the BERG Trampoline.
- The product is used for rental purposes or made available for usage by a 3rd party.
- During the warranty period, all material and construction assessed faults will be repaired or replaced by BERG. Repairs handled at no cost is applicable provided the product is still within its warranty period as stated in article 10.1.
- BERG warranty can only be honored if the original proof of purchase is rendered to the BERG authorized dealer. Should the owner have re-located or the BERG dealer is no longer operational, BERG can recommend an alternative BERG dealership.
- If the warranty claim is not honored, all costs incurred must be paid by the owner.
- This warranty is not transferable to third parties.

BERG



PRODUCT REGISTRATION

Would you like free supplementary guarantee?*

Don't forget to register your product online immediately!
Go to www.bergtoys.com/uk/registration.

This product registration entitles you to 3 years extended warranty on the frame of your go-kart or trampoline. This extended warranty is in addition to the standard warranty on the frame that you receive.

*For the conditions, please visit www.bergtoys.com/uk/registration



www.bergtoys.com/uk/registration



Index

1. Introductie
2. Waarschuwingen
3. Informatie
4. Spring instructies
 - 4.1 Spring instructies
 - 4.2 Basissprongen
5. Montage- en onderhoudsinstructies
 - 5.1 Montage en demontage
 - 5.2 Onderhoudsinstructies
6. Garantie
 - 6.1 Garantie termijn
 - 6.2 Garantie regeling

Deze trampoline is geschikt voor huishoudelijk gebruik. Informatie over welke trampolines geschikt zijn voor publiek gebruik (zoals bijvoorbeeld gebruik op een camping, vakantiepark, bij een restaurant, etc.) kunt u vinden op de website www.bergtoys.com.

1. Introductie

Bedankt voor het kiezen van een BERG trampoline. Wij zijn ervan overtuigd dat u vele jaren nuttig gebruik en springplezier zal hebben. Trampoline springen is leuk en gezond. Het werkt stressverlagend, verbetert de conditie en de bloedsomloop. Trampoline springen is voor jong en oud. Voor jarenlang probleemloos gebruik vindt u in deze handleiding tips voor montage, veiligheid, onderhoud en springinstructies. Trampoline springen is niet gevaarlijk zolang deze tips en instructies worden opgevolgd. BERG wenst u heel veel springplezier!

Let op! Deze handleiding is geschikt voor meerdere soorten trampolines. Let bij het doorlezen van de handleiding goed op welke informatie van toepassing is op uw trampoline.

2. Waarschuwingen

Algemene waarschuwingen:

- Het maximale gebruikersgewicht is:

Ø270	Ø330	Ø380	Ø430
70kg	100kg	110kg	120kg

- Niet geschikt voor kinderen jonger dan 36 maanden. Valgevaar.
- Niet geschikt voor kinderen jonger dan 36 maanden. Verstikkingsgevaar, kleine onderdelen.
- De trampoline moet volgens de montage-instructies in elkaar gezet worden door een volwassene en vóór het eerste gebruik gecontroleerd worden.
- De BERG trampoline is alleen bestemd voor buitengebruik.
- Lees de gebruiksaanwijzing, en bewaar deze voor de toekomst.
- Eén gebruiker tegelijk. Risico op botsen. Gebruik door meerdere personen tegelijkertijd kan ernstig letsel veroorzaken.
- Spring zonder schoenen.
- Niet gebruiken indien de mat nat is.
- Voor het springen handen en zakken leegmaken.
- Spring altijd in het midden van het springdoek.
- Niet eten tijdens het springen.
- Verlaat de trampoline niet met een sprong.
- Niet langdurig gebruiken, beperk de tijd (stop regelmatig).
- Niet gebruiken bij sterke wind en zet de trampoline vast.
- Geen salto's. Een landing op het hoofd of nek, kan zelfs in het midden van het springdoek, leiden tot ernstig letsel.
- Toezicht door volwassene vereist.
- Gebruik de BERG trampoline nooit wanneer u onder invloed van alcohol of drugs bent.
- De beschermrand kan onder invloed van de zon erg warm worden, let hierop.
- Houd vuur en andere hittebronnen uit de buurt van de trampoline.
- Houd voorwerpen en obstakels die in aanraking kunnen komen met de gebruiker uit de buurt van trampoline.
- Objecten, dieren en personen zijn verboden onder de BERG trampoline.
- Spring niet op de rand van het springdoek en niet op de afdekrand van het frame. Spring alleen in het midden van het springdoek.
- Bewegingen met flinke wrijving (zoals bijvoorbeeld het maken van "slidings") over de prints op het springdoek of de beschermrand worden afgeraden. Bij sterke wrijving over de prints op het springdoek of de beschermrand is het mogelijk dat de print-inkt, kleur afgeeft. Het kan lastig zijn de inkt uit kleding te verwijderen. De inkt voldoet aan de strenge chemische eisen die gesteld worden aan speelgoedproducten, waardoor huidcontact of het binnenkrijgen van deze inkt geen schadelijke gevolgen heeft voor de gezondheid.

Regular waarschuwingen:

- De BERG trampoline wordt niet aanbevolen voor gebruik door kinderen jonger dan 6 jaar.
- Deze trampoline is niet bedoeld om te worden ingegraven in de grond.
- Plaats de BERG trampoline niet boven beton, asfalt of een andere harde ondergrond of in de buurt van andere installaties (bijv. kinderbaden, schommels, glijbanen, klimrekken).

InGround waarschuwingen:

- Wanneer de BERG trampoline wordt gebruikt in combinatie met een veiligheidsnet dan wordt het gebruik door kinderen onder de 6 jaar afgeraden.
- Wanneer de BERG trampoline wordt gebruikt zonder veiligheidsnet dan wordt het gebruik door kinderen onder de 14 jaar afgeraden.
- Voor de montage van de trampoline moet een gat gegraven worden. Als u niet zeker bent over het grondwerk, neem contact op met een professional.
- Objecten, dieren en personen zijn verboden onder de BERG trampoline. Mocht u de beschermrand los maken, controleer dan bij het herbevestigen van de beschermrand of er niets onder de trampoline ligt.
- Plaats de BERG trampoline niet boven beton, asfalt of een andere harde ondergrond of in de buurt van andere installaties (bijv. kinderbaden, schommels, glijbanen, klimrekken).

**FlatGround** waarschuwingen:

- Wanneer de BERG trampoline wordt gebruikt in combinatie met een veiligheidsnet dan wordt het gebruik door kinderen onder de 6 jaar afgeraden.
- Wanneer de BERG trampoline wordt gebruikt zonder veiligheidsnet dan wordt het gebruik door kinderen onder de 14 jaar afgeraden.
- Voor de montage van de trampoline moet een gat gegraven worden. Als u niet zeker bent over het grondwerk, neem contact op met een professional.
- Objecten, dieren en personen zijn verboden onder de BERG trampoline. Mocht u de beschermband los maken, controleer dan bij het herbevestigen van de beschermband of er niets onder de trampoline ligt.

Veiligheidsnet waarschuwingen:

- Controleer voor het springen of de ingang volledig gesloten is.
- Spring niet over de bovenste rand van het safety net heen.
- Kruip niet tussen de onderste rand van het safety net en de beschermband door.
- Het safety net is bedoeld om het springen veiliger te maken, spring niet opzettelijk in het net en ga niet in het safety net hangen of erin klimmen.
- Zorg dat de kleding van de gebruiker geen haken, lussen, trekkoorden of iets wat kan blijven haken in het safety net heeft.
- Bevestig niets aan het safety net wat niet een door BERG goedgekeurd accessoire of onderdeel van het safety net is.
- Gebruik de palen van het safety net niet om in te klimmen.
- Gebruik alleen de ingang van het safety net om op de trampoline te komen of er van af te gaan.
- Houdt vuur weg van het safety net.
- Het net moet iedere 5 jaar vervangen worden (of eerder bij verlies van functionaliteit).
- Wij raden u aan om bij sterke wind en windvlagen het safety net voorafgaand aan deze omstandigheden te demonteren.

3. Informatie

- Gebruik het BERG product alleen zoals beschreven in de handleiding. Afwijkend gebruik kan resulteren in ernstige verwondingen bij de gebruiker en beschadigingen aanrichten aan het product. Lees alle instructies voor het gebruik van de trampoline. Om veilig en prettig gebruik te maken van de BERG trampoline zijn waarschuwingen, instructies voor onderhoud en gebruik van de trampoline in deze handleiding beschreven.
- Er moet een vrije ruimte van minimaal 2 meter rondom de trampoline zijn, vrij van bomen, hekwerken en ander obstakels.
- Zorg voor minimaal 7 meter vrije hoogte gemeten vanaf de grond.
- Om veiligheidsredenen zijn wijzigingen of veranderingen aan de trampoline niet toegestaan. Alleen veranderingen die zijn afgestemd met, of overeenkomstig aanwijzingen van, BERG zijn toegestaan.

4. Spring instructies

4.1 Spring instructies

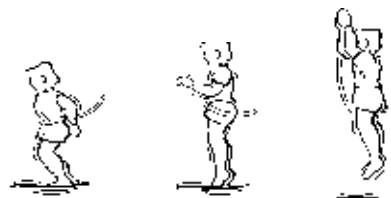
- Bij gebruik van de BERG trampoline is het een vereiste om een juiste houding aan te nemen. De juiste houding en balans worden verkregen door het aanspannen van de juiste spieren en maakt het mogelijk om veilig trampoline te kunnen springen.
- Tijdens het springen wordt het lichaam blootgesteld aan schokken die op een correcte manier moeten worden opgevangen. Wanneer u uw spieren aanspant krijgt u betere controle over uw evenwicht en de spring- en veerkracht van het lichaam neemt toe. Een meer ontspannen houding leidt tot verlies aan energie en de spring- en veerkracht van het lichaam neemt af. Begin met de basis sprongen en probeer geen ingewikkelde sprongen voordat u de basisprongen beheerst. Om te stoppen met springen dient u uw knieën in te trekken wanneer uw voeten met het springdoek in contact komen.
- Stoppen met springen bereikt u door uw knieën te buigen wanneer uw voeten in contact komen met het springdoek van de trampoline. Leer deze vaardigheid voordat u andere vaardigheden gaat oefenen.
- Samengestelde trampoline oefeningen kunnen uitgevoerd worden door het combineren van verschillende, enkelvoudige sprongen of met basisprongen hier tussen.

- Spring niet te hoog. Controle over het springen is belangrijker dan hoog springen. Blijf laag springen tot de sprong onder controle is en er herhaaldelijk in het midden van het springdoek kan worden geland.
- Sta rechtop en houd het hoofd recht. Houd de ogen op het springdoek gericht. Hiermee behoudt u controle over de sprong.

4.2 Enkele basissprongen

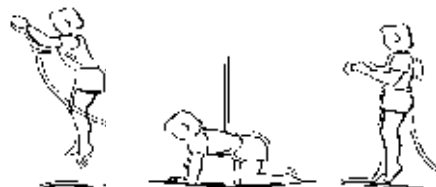
Basissprong

Sta rechtop en houd het hoofd recht. Houd de ogen op het springdoek gericht. Zwaai de armen vooruit en omhoog in een cirkelvormige beweging. Houd de voeten bij elkaar en richt de tenen tijdens het springen naar beneden. Houd de voeten bij het landen ongeveer 40 cm uit elkaar.



Hand en kniesprong

Start met de basissprong. Houd de ogen op het springdoek gericht. Zwaai de armen vooruit en omhoog in een cirkelvormige beweging. Land op handen en knieën. Duw af met de handen en kom in rechte houding overeind.



Zitsprong

Start met de basissprong. Houd de ogen op het springdoek gericht. Land in zithouding. Plaats de handen naast de heupen op het springdoek. Duw af met de handen en kom in rechte houding overeind.



Buiksprong

Start met de basissprong en kom neer op de buik. Houd het hoofd recht. Houd de armen voor het hoofd op het springdoek. Duw af met de armen om recht terug te komen.



Rugsprong

Start met de basissprong en kom neer op de rug. Houd tijdens het neerkomen de kin tegen de borst geklemd. Sla de benen vooruit en omhoog wanneer u recht overeind komt.



5. Montage en onderhoudsinstructies

5.1 Montage & demontage

Algemene montage & demontage:

- Monteer de trampoline niet bij harde wind, wacht tot deze is gaan liggen.
- Bij de montage van de producten raden wij het dragen van werkhandschoenen aan.
- Zorg ervoor dat de BERG trampoline waterpas staat. Gebruik hiervoor een waterpas.
- De trampoline kan bevestigingen met zelfborgende moeren bevatten. Deze zelfborgende moeren zijn uitsluitend voor éénmalig gebruik. Bij demontage en opnieuw monteren, moeten deze zelfborgende moeren worden vervangen.
- Zie pagina 4 en verder voor instructies voor de montage van het product.
- Monteer accessoires volgens de bijgeleverde montage-instructies.
- Als de trampoline verplaatst moet worden, wegens onderhoud van de huidige locatie of om andere redenen, verwijder de ankers (indien aanwezig) en verplaats de trampoline naar de nieuwe locatie. Til de trampoline met minimaal 4 volwassenen aan de bovenste rails van het frame.



- Als de trampoline verplaatst moet worden over een grotere afstand, demonteer de trampoline, leg de delen in de originele verpakking en monteer de trampoline op de nieuwe locatie volgens de assemblage en installatie instructies.

InGround montage & demontage:

- Locatie: Zoek een geschikte plek voor de montage van de trampoline. Controleer de vrije ruimte, de conditie en eigenschappen van de bodem en bepaal zo de locatie.
- De grond moet stevig zijn om te voorkomen dat het te graven gat zal instorten als gevolg van snel eroderen van de bodem. Indien nodig, versterk de zijkanten van het gat of maak ze glad om dit te voorkomen.
- Als grond te hard is om te graven, dan kan er beter een andere locatie gekozen worden, of neem contact op met een professional op het gebied van grondwerk.
- Verifieer of een hoog grondwaterpeil het gat niet vol laat lopen met water.
- Controleer of er voldoende afwatering of drainage is om regenwater af te voeren. In het gegraven gat mag geen water blijven staan.

FlatGround montage & demontage:

- Locatie: Zoek een geschikte plek voor de montage van de trampoline. Controleer de vrije ruimte, de conditie en eigenschappen van de bodem en bepaal zo de locatie.
- De grond moet stevig zijn om te voorkomen dat het te graven gat zal instorten als gevolg van snel eroderen van de bodem. Indien nodig, versterk de zijkanten van het gat of maak ze glad om dit te voorkomen.
- Als grond te hard is om te graven, dan kan er beter een andere locatie gekozen worden, of neem contact op met een professional op het gebied van grondwerk.
- Verifieer of een hoog grondwaterpeil het gat niet vol laat lopen met water.
- Controleer of er voldoende afwatering of drainage is om regenwater af te voeren. In het gegraven gat mag geen water blijven staan.

5.2 Onderhoudsinstructies

Algemene onderhoudsinstructies:

- Inspecteer de BERG trampoline voor elk gebruik aan de hand van de montagehandleiding en vervang defecte, versleten of ontbrekende onderdelen. Het negeren van deze instructies en het nalaten van onderhoud kan leiden tot gevaarlijke situaties en onnodige risico's voor de gebruiker. Voor het bestellen van originele BERG trampoline onderdelen en accessoires verwijzen we u naar uw dealer of kijk op www.bergtoys.com.
- Controleer de conditie van de frame delen (gebroken lassen, gebogen frame of scherpe en uitstekende delen) en vervang deze indien nodig.
- Controleer de conditie van de veren (gebroken of overmatige uitrekking) en de bevestiging van de veren aan het frame en springdoek. De veren en de ophanging van veren zijn onderhevig aan slijtage, vervang tijdig versleten onderdelen.
- Controleer of de boutverbindingen vast zitten en zet deze eventueel opnieuw vast. Controleer de borging van verbindingen (drukpinnen) en controleer of deze niet losraken tijdens het springen.
- Controleer de conditie van het springdoek (beschadigingen, onjuiste spanning, loslatende stiksels of doorzakken van het springdoek). Het springdoek slijt door gebruik en door blootstelling aan zonlicht (UV straling). Vervang het springdoek tijdig wanneer de conditie verslechterd.
- Controleer de conditie van de beschermrand en de bevestiging van de beschermrand op het frame. Vervang een defecte beschermrand.
- Het gebruik van meststoffen (kunstmest, mestkorrels, etc.) is niet toegestaan in een straal van 2 meter rond de BERG trampoline. Het gebruik van dergelijke producten kan schadelijk zijn voor de materialen van de trampoline.
- U kunt het springdoek en de afdekrand van het frame reinigen met een doek en koud of handwarm water. Gebruik in geen geval oplosmiddelen, afwasmiddel, zeepoeder of heet water.
- Reparaties moeten professioneel worden uitgevoerd. Neem hiervoor contact op met uw BERG dealer.

Regular onderhoudsinstructies:

- Sterke wind en windvlagen kunnen de trampoline verplaatsen. Wij raden u aan de trampoline te verankeren met ankers of zandzakken of het springdoek voorafgaand aan deze omstandigheden te demonteren.
- Tijdens de winter kan in sommige landen het gewicht van de sneeuw en de zeer lage temperatuur de trampoline beschadigen. BERG raadt u aan om het springdoek en het safety net in deze periode binnen op te bergen.
- Stel uw trampoline veilig wanneer deze niet in gebruik is. Bescherm de trampoline tegen onbevoegd gebruik. Bij gebruik van een trampoline-ladder, dient deze door de eigenaar verwijderd te worden wanneer de trampoline verlaten wordt. Hiermee voorkomt u toegang van kinderen zonder toezicht.
- Wanneer de trampoline voor korte periodes niet gebruikt wordt kan deze afgedekt worden met een BERG afdekhoes die de trampoline vrij houdt van bijvoorbeeld bladeren en takjes. Wanneer de trampoline voor een langere periode niet gebruikt wordt (bijvoorbeeld tijdens de winter) raden wij aan de trampoline en zeker de beschermrand op een droge plek op te bergen voor een langere levensduur van het product.

InGround onderhoudsinstructies:

- Inspecteer het gat onder de trampoline na een periode van regen. Zorg voor goede drainage voor de afvoer van water.
- Gebruik het meegeleverde meetlint om de afmeting van het te graven gat te bepalen, diameter, diepte en vorm. Raadpleeg hiervoor de gevisualiseerde afbeelding in de montage-instructies. Zorg ervoor dat het gat gegraven wordt volgens de specificaties en dat de wanden niet te steil zijn. Afwijkingen in de vorm van de voorschriften kan leiden tot het ongewild instorten van de wanden en instabiliteit van de trampoline.
- De poten van de trampoline ondersteunen het trampoline frame. Controleer of de poten op gelijke hoogte en stevig op de grond staan. Veranker de poten met de meegeleverde ankers.
- Inspecteer het gat onder de trampoline regelmatig. (minimaal 1x per jaar) en neem corrigerende maatregelen indien nodig. Zoals aangegeven in de montage-instructies, controleer het gat op de juiste diepte, de juiste vorm, de stabiliteit van het frame en of de trampoline nog waterpas staat. Controleer het gat op objecten en verwijder deze indien nodig.
- Tijdens de winter kan in sommige landen het gewicht van de sneeuw en de zeer lage temperatuur de trampoline beschadigen. BERG raadt u aan om uw trampoline regelmatig sneeuwvrij te maken.
- Wanneer de trampoline voor korte periodes niet gebruikt wordt kan deze afgedekt worden met een BERG afdekhoes die de trampoline vrij houdt van bijvoorbeeld bladeren en takjes. Wanneer de trampoline voor een langere periode niet gebruikt wordt (bijvoorbeeld tijdens de winter) raden wij aan de beschermrand op een droge plek op te bergen voor een langere levensduur van het product.

FlatGround onderhoudsinstructies:

- Inspecteer het gat onder de trampoline na een periode van regen. Zorg voor goede drainage voor de afvoer van water.
- Gebruik het meegeleverde meetlint om de afmeting van het te graven gat te bepalen, diameter, diepte en vorm. Raadpleeg hiervoor de gevisualiseerde afbeelding in de montage-instructies.
- Inspecteer het gat onder de trampoline regelmatig. (minimaal 1x per jaar) en neem corrigerende maatregelen indien nodig. Zoals aangegeven in de montage-instructies, controleer het gat op de juiste diepte, de juiste vorm, de stabiliteit van het frame en of de trampoline nog waterpas staat. Controleer het gat op objecten en verwijder deze indien nodig.



6. Garantie

6.1 Garantie termijn

BERG Trampolines zijn van uitstekende kwaliteit. Om u jarenlang onbezorgd speelplezier te bieden op onze trampolines biedt BERG functie garantie. Functie garantie is de garantie op het functionele gebruik van de trampoline. Voor de duur van deze garantie zie onderstaande tabel (jaren).

Frame	10
Frame (na product registratie)	13 (10+3)
Beschermrand (Elite)	5
Beschermrand (Champion)	2
Springdoek	2
Veren	5
Safety Net	2

Op de safety netten en accessoires geldt een garantietermijn van 2 jaar met uitzondering van de afdekhoes basic, daar geldt een garantie termijn van 1 jaar. Slijtagegevoelige onderdelen (bijv. elastieken), weersinvloeden als roest en verkleuring en het schuim op de palen van de safety netten zijn uitgesloten van garantie.

6.2 Garantie regeling

De eigenaar van het product kan slechts aanspraak maken op de garantie door de originele aankoopnota aan te bieden. De garantie geldt alleen voor materiaal- en constructiefouten met betrekking tot dit product en diens onderdelen.

De garantie vervalt wanneer:

Dit product onjuist en/of onzorgvuldig gebruikt is.

- Dit product niet conform de handleiding gemonteerd en onderhouden is.
- Technische reparaties aan dit product niet op vakkundige wijze verricht zijn.
- Naderhand gemonteerde onderdelen gebruikt zijn die niet overeen komen met de technische specificaties van het betreffende product, of onjuist gemonteerd zijn.
- Gebreken ontstaan als gevolg van klimatologische invloeden, zoals roest of normale verwerking door o.a. UV-straling.
- Incorrect ingraven van de BERG Trampoline
- Het product wordt gebruikt voor verhuur of op andere wijze aan meerdere ongespecificeerde personen ter beschikking staat.
- Gedurende de garantieperiode zullen alle door BERG vastgestelde materiaal- of constructiefouten ter keuze van BERG worden gerepareerd, dan wel worden vervangen. Reparatie, op kosten van BERG, is alleen mogelijk wanneer de garantieperiode vermeld in 10.1 nog van toepassing is.
- De eigenaar van dit product kan slechts aanspraak maken op de garantie door het overleggen van de originele aankoopbon. Indien de eigenaar is verhuisd of de dealer niet meer beschikbaar is, zal BERG desgevraagd opgaaf doen van de dichtstbijzijnde BERG dealer.
- Indien de garantieaanvraag afgewezen wordt, zijn alle gemaakte kosten voor rekening van de eigenaar.
- Deze garantie is niet overdraagbaar aan derden.

BERG



PRODUCT REGISTRATION

Wil je extra gratis garantie?*

Vergeet je product dan niet na aankoop direct online te registreren via www.bergtoys.com/nl/registration.

Met deze productregistratie ontvang je 3 jaar extra garantie op het frame van je skelter of trampoline. Deze extra garantie komt bovenop de standaard garantie op het frame die je krijgt.

*Bekijk de voorwaarden op www.bergtoys.com/nl/registration



www.bergtoys.com/nl/registration



Index

1. Einleitung
2. Achtung
3. Informationen
4. Sprung-Anweisungen
 - 4.1 Sprung-Anweisungen
 - 4.2 Basis Sprünge
5. Montage und Wartung
 - 5.1 Montage und Demontage
 - 5.2 Wartungsanleitungen
6. Garantie
 - 6.1 Garantiezeit
 - 6.2 Garantiebestimmungen

Dieses Trampolin ist für den Hausgebrauch geeignet. Informationen über Trampoline für die Nutzung in öffentlichen Bereichen (wie etwa Campingplatz, Ferienpark, Restaurant usw.) finden Sie auf der Website www.bergtoys.com.

1. Einleitung

Wir hoffen, dass auch Sie viel Spaß mit Ihrem Trampolin haben und bedanken uns für den Kauf des BERG Trampolins. Trampolinspringen macht Spaß und ist gesund. Es ist nicht nur eine angenehme Beschäftigung sondern verringert auch Stress, verbessert die Kondition und die Blutzirkulation. Trampolinspringen ist geeignet für Jung und Alt. Um Ihr Trampolin jahrelang problemlos benutzen zu können, finden Sie in dieser Gebrauchsanleitung Tipps zur Montage, Sicherheit, Wartung und Sprunginstruktionen. Trampolinspringen ist nicht gefährlich, solange diese Tipps und Anweisungen befolgt werden. BERG wünscht Ihnen viel Spaß beim Springen!

Achtung! Dieses Handbuch beschreibt verschiedene Trampolintypen. Achten Sie beim Lesen darauf, welche Informationen sich auf Ihr Trampolin beziehen.

2. Achtung

Allgemeine Warnhinweise; Achtung:

- Das maximale Benutzergewicht beträgt:

Ø270	Ø330	Ø380	Ø430
70kg	100kg	110kg	120kg

- Nicht für Kinder unter 36 Monaten geeignet. Absturzgefahr.
- Nicht für Kinder unter 36 Monaten geeignet. Erstickungsgefahr. Kleine Teile.
- Das Trampolin muss durch eine erwachsene Person entsprechend den Aufbauanleitungen zusammengebaut und anschließend vor der ersten Nutzung überprüft werden.
- Das BERG Trampolin ist nur für den Gebrauch im Freien bestimmt.
- Gebrauchsanleitung lesen und für eventuelles Nachschlagen aufbewahren.
- Nur ein Benutzer. Kollisionsgefahr. Verwendung durch mehrere Personen kann schwere Verletzungen verursachen.
- Ohne Schuhe springen.
- Nicht benutzen, wenn die Sprungmatte nass ist.
- Vor dem Springen Taschen und Hände leeren.
- Immer in die Mitte der Sprungmatte springen
- Während des Springens nicht essen.
- Das Trampolin nicht mit einem Sprung verlassen.
- Die Dauer der ununterbrochenen Benutzung begrenzen (regelmäßige Pausen einlegen).
- Bei Starkwindbedingungen das Trampolin sichern und nicht benutzen.
- Keine Saltos schlagen. Bei einer Landung auf dem Kopf oder Genick können, auch wenn die Landung in der Mitte der Sprungmatte erfolgt, Lähmungen oder schwere Verletzungen auftreten.
- Beaufsichtigung durch einen Erwachsenen erforderlich.
- Benutzen Sie das BERG-Trampolin nicht, wenn Sie unter dem Einfluss von Alkohol, Drogen oder Medikamenten stehen.
- Vorsicht, der Schutzrand kann bei Sonneneinstrahlung sehr heiß werden!
- Halten Sie Feuer und andere Hitzequellen vom Trampolin fern.
- Halten Sie Gegenstände und Hindernisse fern, die den Benutzer behindern könnten. Sorgen Sie rund um das Trampolin für einen freien Bereich.
- Es dürfen keine Personen oder Objekte unter dem BERG Trampolin sein.
- Springen Sie immer in der Mitte der Matte. Springen Sie nicht auf den Rand der Matte oder auf den Schutzrand.
- Von Bewegungen mit starker Reibung (beispielsweise „Slidings“) über die Druckmotive auf dem Sprungtuch oder dem Schutzrand wird abgeraten. Bei starker Reibung über die Druckmotive auf dem Sprungtuch oder dem Schutzrand kann die Druckfarbe abfärben. Es kann schwierig sein, die Druckfarbe aus der Kleidung zu entfernen. Die Druckfarbe erfüllt die strengen chemischen Anforderungen, die an Spielgeräte gestellt werden, wodurch sichergestellt ist, dass der Kontakt mit der Haut oder das Verschlucken der Tinte keine gesundheitlichen Schäden hervorrufen.

Warnhinweise zu **Regular**-Trampolinen; Achtung:

- Das BERG-Trampolin wird nicht für Kinder unter 6 Jahren empfohlen.
- Dieses Trampolin ist nicht dazu bestimmt, in den Boden eingegraben zu werden.
- Stellen Sie das BERG Trampolin nicht auf Beton, Asphalt, anderen harten Oberflächen oder in der Nähe von anderen Installationen (z.B. Planschbecken, Schaukeln, Rutschen, Klettergerüste usw.) auf.

Warnhinweise zu **InGround**-Trampolinen; Achtung:

- Ein BERG-Trampolin, das mit einem Sicherheitsnetz ausgestattet ist, sollte nicht von Kindern unter 6 Jahren benutzt werden.
- Ein BERG-Trampolin, das nicht mit einem Sicherheitsnetz ausgestattet ist, sollte nicht von Kindern unter 14 Jahren benutzt werden.
- Für die Montage des Trampolins muss ein Loch gegraben werden. Wenn Sie sich hinsichtlich der Erdarbeiten nicht sicher sind, wenden Sie sich bitte an einen Fachmann.
- Unter dem BERG-Trampolin dürfen sich keine Objekte, Tiere oder Personen befinden. Wenn Sie den Schutzrand abgenommen haben, sollten Sie bei seiner Wiederbefestigung darauf achten, dass sich nichts unter dem Trampolin befindet.



- Stellen Sie das BERG Trampolin nicht auf Beton, Asphalt, anderen harten Oberflächen oder in der Nähe von anderen Installationen (z.B. Planschbecken, Schaukeln, Rutschen, Klettergerüste usw.) auf.

*Warnhinweise zu **FlatGround**-Trampolinen; Achtung:*

- Ein BERG-Trampolin, das mit einem Sicherheitsnetz ausgestattet ist, sollte nicht von Kindern unter 6 Jahren benutzt werden.
- Ein BERG-Trampolin, das nicht mit einem Sicherheitsnetz ausgestattet ist, sollte nicht von Kindern unter 14 Jahren benutzt werden.
- Für die Montage des Trampolins muss ein Loch gegraben werden. Wenn Sie sich hinsichtlich der Erdarbeiten nicht sicher sind, wenden Sie sich bitte an einen Fachmann.
- Unter dem BERG-Trampolin dürfen sich keine Objekte, Tiere oder Personen befinden. Wenn Sie den Schutzrand abgenommen haben, sollten Sie bei seiner Wiederbefestigung darauf achten, dass sich nichts unter dem Trampolin befindet.

*Warnhinweise zum **Sicherheitsnetz**; Achtung:*

- Vor dem Springen immer die Netzöffnung schließen.
- Nicht über den oberen Rand des Sicherheitsnetzes springen.
- Nicht unter dem unteren Rand des Sicherheitsnetzes hindurchkriechen.
- Das Sicherheitsnetz soll das Springen sicherer machen. Nicht absichtlich in das Netz springen und sich weder in das Sicherheitsnetz hängen noch darin klettern.
- Stellen Sie sicher, dass sich an der Kleidung des Benutzers keine Haken, Schleifen, Kordeln oder andere Gegenstände befinden, die am Sicherheitsnetz hängenbleiben können.
- Befestigen Sie keine anderen Gegenstände am Sicherheitsnetz als die von BERG hierfür vorgesehenen Zubehörteile oder Komponenten.
- Klettern Sie nicht an den Rohren des Sicherheitsnetzes hoch.
- Betreten und verlassen Sie das Trampolin ausschließlich durch die Zugangsöffnung des Sicherheitsnetzes.
- Sicherheitsnetzes von Feuer fernhalten.
- Das Netz sollte alle 5 Jahre ersetzt werden. (oder früher, wenn es nicht mehr funktioniert).
- Wir empfehlen Ihnen, das Sicherheitsnetz bei vorausgesagtem starkem Wind und Windböen vorher zu demontieren.

3. Informationen

- Verwenden Sie Ihr Produkt von BERG ausschließlich gemäß den nachfolgenden Anweisungen. Eine unbefugte Nutzung könnte schwere Verletzungen für den Verwender und/oder Schäden am Produkt hervorrufen. Bitte lesen Sie vor der Nutzung des Trampolins sämtliche Anweisungen. Enthalten sind Warnhinweise, Anweisungen für die Pflege, die Wartung und die Nutzung dieses Trampolins, damit Sie es sicher und mit viel Spielfreude verwenden können.
- Ein Freiraum von mindestens 2 Metern um das Trampolin ist obligatorisch.
- Über dem Trampolin muss ein Freiraum von 7 Metern vorhanden sein; gemessen ab dem Boden, auf dem das Trampolin steht.
- Die Durchführung von Änderungen am Trampolin ist nicht gestattet, da sich daraus ein Sicherheitsrisiko ergeben kann. Es dürfen nur Änderungen vorgenommen werden, die mit BERG abgestimmt oder von BERG empfohlen wurden.

4. Sprung-Anweisungen

4.1 Sprung-Anweisungen

- Bei Benutzung des BERG-Trampolins ist es unbedingt erforderlich, die richtige Haltung einzunehmen. Die richtige Haltung und das Gleichgewicht werden durch Anspannen der richtigen Muskeln erreicht. Dadurch ist sicheres Trampolinspringen möglich.
- Eine gute Körperhaltung ermöglicht eine sichere Nutzung des Trampolins. Beim Springen wird der Körper Stößen ausgesetzt, die richtig abgefedert werden müssen. Durch eine Anspannung Ihrer Muskeln erhalten Sie eine bessere Kontrolle über Ihr Gleichgewicht und die Sprung- und Rückfederstärke des Körpers erhöht sich. Eine entspanntere Körperhaltung führt zu einem Verlust von Energie und die Sprung- und Rückfederstärke verringert sich. Beginnen Sie mit den elementaren Sprüngen und Sprungpositionen

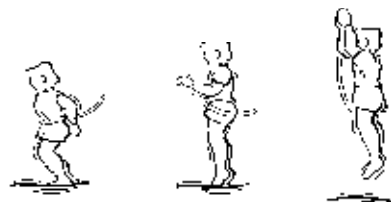
und probieren Sie weiter gehende Techniken nicht aus, bevor Sie diese beherrschen. Das Springen beenden Sie, indem Sie die Knie beugen, sobald Ihre Füße die Matte berühren.

- Beenden Sie Sprünge, indem Sie die Knie beugen, wenn die Füße mit der Trampolinmatte in Berührung kommen. Lernen Sie diese Technik, bevor Sie andere ausprobieren.
- Erlernen Sie die grundlegenden Sprünge und Körperpositionen sorgfältig, bevor Sie fortgeschrittenere Techniken ausprobieren. Kreieren Sie eigene Übungsreihen, indem Sie verschiedene einfache Sprünge, mit oder ohne dem einfachen Basissprung dazwischen, kombinieren.
- Springen Sie nicht zu hoch. Bleiben Sie in niedriger Höhe, bis Sie die Sprünge kontrollieren und wiederholtes Landen in der Mitte des Trampolins schaffen. Kontrolle ist wichtiger als Höhe.
- Halten Sie den Kopf aufrecht und die Augen auf die Sprungmatte gerichtet. Das hilft bei der Kontrolle der Sprünge.
- Überprüfen Sie den Zustand der Federn (Bruch oder übermäßige Dehnung) und die Befestigung der Federn am Rahmen und Sprungtuch. Federn und Federaufhängung sind verschleißanfällig. Verschlissene Teile sollten rechtzeitig ersetzt werden.

4.2 Basis Sprünge

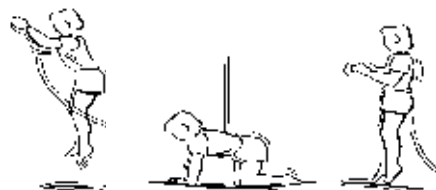
Basissprung

Stehen Sie aufrecht und halten Sie den Kopf gerade. Halten Sie die Augen auf das Springtuch gerichtet. Schwingen Sie die Arme in einer Kreisbewegung nach vorne und oben. Halten Sie die Füße beieinander und richten Sie die Zehenspitzen während des Springens nach unten. Halten Sie die Füße bei der Landung ungefähr 40 Zentimeter weit auseinander.



Hand- und Kniesprung

Beginnen Sie mit dem Basissprung. Richten Sie Ihren Blick auf das Sprungtuch. Schwingen Sie die Arme in einer Kreisbewegung nach vorne und oben. Landen Sie auf Händen und Knien. Stoß Sie sich mit den Händen ab und richten Sie sich in aufrechter Haltung wieder auf.



Sitzsprung

Beginnen Sie mit dem Basissprung. Richten Sie Ihren Blick auf das Sprungtuch. Landen Sie sitzend. Setzen Sie die Hände neben Ihre Hüften auf das Sprungtuch. Stoßen Sie sich mit den Händen ab und richten Sie sich in aufrechter Haltung wieder auf.



Bauchsprung

Beginnen Sie mit dem Basissprung und landen Sie auf dem Bauch. Halten Sie den Kopf gerade. Halten Sie die Arme vor den Kopf auf dem Sprungtuch. Stoßen Sie sich mit dem Händen ab, um sich in aufrechter Haltung wieder aufzurichten.



Rückensprung

Beginnen Sie mit dem Basissprung und landen Sie auf dem Rücken. Drücken Sie während der Landung das Kinn gegen die Brust. Schwingen Sie die Beine vorwärts und hoch, wenn Sie sich in aufrechter Haltung wieder aufrichten.





5. Montage und Wartung

5.1 Montage und Demontage

Allgemeiner Montage und Demontage:

- Das Trampolin sollte nicht bei starkem Wind aufgebaut werden. Warten Sie bitte, bis sich der Wind gelegt hat.
- Bei der Montage der Produkte ist das Tragen von Arbeitshandschuhen empfehlenswert.
- Sorgen Sie dafür, dass das BERG-Trampolin waagrecht steht. Benutzen Sie dabei eine Wasserwaage.
- Das Trampolin kann Befestigungen mit selbstsichernden Muttern enthalten. Diese Muttern sind ausschließlich für die einmalige Verwendung gedacht. Bei der Demontage und erneuten Montage müssen die selbstsichernden Muttern ersetzt werden.
- Ab Seite 3 sind Anweisungen für die Montage des Produkts zu finden.
- Installieren Sie Zubehör gemäß den mitgelieferten Montageanweisungen.
- Wenn das Trampolin wegen Wartungsbedarf des aktuellen Standorts oder aus anderen Gründen bewegt werden muss, entfernen Sie die Anker (falls vorhanden) und bewegen Sie das Trampolin. Heben Sie das Trampolin mit mindestens 4 Erwachsenen am oberen Rahmen an und gehen Sie zur neuen Position.
- Wird das Trampolin über einen größeren Abstand umgesetzt, demontieren Sie es und legen Sie die Teile in die Original-Verpackung. Montieren Sie das Trampolin am neuen Standort laut den Anweisungen in der Gebrauchsanleitung.

*Montage und Demontage eines **Inground**-Trampolins:*

- Standort: Finden Sie einen geeigneten Standort für das Trampolin. Kontrollieren Sie, ob der Bereich um das Trampolin frei von störenden Gegenständen ist und prüfen Sie die Bodenbeschaffenheit. Bestimmen Sie nach diesen Vorgaben den Standort.
- Der Boden muss fest sein, um zu verhindern, dass die ausgehobene Kuhle durch schnelles Erodieren des Bodens an den Seiten einsinkt. Wenn nötig, verstärken Sie die Seiten der Kuhle, um das Einsinken zu verhindern.
- Wenn der Boden zum Graben zu hart ist, kann besser ein anderer Standort gewählt werden, oder Sie wenden sich an einen Fachmann für Erdarbeiten.
- Überprüfen Sie, ob sich durch einen hohen Grundwasserspiegel die Grube mit Wasser füllen könnte.
- Kontrollieren Sie auch, ob es genügend Abfluss- oder Drainagemöglichkeiten gibt, um Regenwasser abzuleiten. In der ausgehobenen Grube darf kein Wasser stehen bleiben.

*Montage und Demontage eines **Flatground**-Trampolins:*

- Standort: Finden Sie einen geeigneten Standort für das Trampolin. Kontrollieren Sie, ob der Bereich um das Trampolin frei von störenden Gegenständen ist und prüfen Sie die Bodenbeschaffenheit. Bestimmen Sie nach diesen Vorgaben den Standort.
- Der Boden muss fest sein, um zu verhindern, dass die ausgehobene Kuhle durch schnelles Erodieren des Bodens an den Seiten einsinkt. Wenn nötig, verstärken Sie die Seiten der Kuhle, um das Einsinken zu verhindern.
- Wenn der Boden zum Graben zu hart ist, kann besser ein anderer Standort gewählt werden, oder Sie wenden sich an einen Fachmann für Erdarbeiten.
- Überprüfen Sie, ob sich durch einen hohen Grundwasserspiegel die Grube mit Wasser füllen könnte.
- Kontrollieren Sie auch, ob es genügend Abfluss- oder Drainagemöglichkeiten gibt, um Regenwasser abzuleiten. In der ausgehobenen Grube darf kein Wasser stehen bleiben.

5.2 Wartungsanleitungen

Allgemeine Wartungsanleitungen:

- Das BERG-Trampolin sollte vor jeder Benutzung anhand der Montageanleitung überprüft werden; dabei sind defekte, verschlissene oder fehlende Teile zu ersetzen. Wenn diese Anweisungen nicht befolgt werden und die Wartung vernachlässigt wird, kann dies zu gefährlichen Situationen und unnötigen Risiken für den Benutzer führen. Für die Bestellung von Originalersatzteilen und -zubehör für Trampoline von BERG verweisen wir Sie an Ihren Händler oder auf die Website www.bergtoys.com.
- Überprüfen Sie den Zustand der Rahmenteile (gebrochene Schweißnähte, gebogener Rahmen oder scharfe und hervorstehende Teile) und ersetzen Sie sie, wenn nötig.
- Überprüfen Sie den Zustand der Federn (Bruch oder übermäßige Dehnung) und die Befestigung der Federn am Rahmen und Sprungtuch. Federn und Federaufhängung sind verschleißanfällig. Verschlossene Teile sollten rechtzeitig ersetzt werden.
- Prüfen Sie, ob die Bolzenverbindungen fest sitzen; eventuell müssen sie erneut angezogen werden. Überprüfen Sie die Sicherung von Verbindungen (Druckzapfen) und achten Sie darauf, dass sie sich beim Springen nicht lösen können.
- Überprüfen Sie den Zustand des Sprungtuchs (Beschädigungen, falsche Spannung, sich auflösende

Nähte oder Durchhängen). Das Sprungtuch ist durch intensive Nutzung und direktes Sonnenlicht (UV-Strahlung) anfällig für Verschleiß. Ersetzen Sie das Sprungtuch rechtzeitig, wenn sich der Zustand verschlechtert.

- Überprüfen Sie den Zustand des Schutzrands und die Befestigung des Schutzrands am Rahmen. Ein defekter Schutzrand ist zu ersetzen.
- In einem Umkreis von zwei Metern um das BERG-Trampolin ist die Verwendung von Düngemitteln (Kunstdünger, Düngepellets usw.) nicht erlaubt. Die Verwendung derartiger Produkte kann schädlich für die Trampolinmaterialien sein.
- Das Sprungtuch und der Schutzrand des Rahmens können einfach mit einem in kaltes oder lauwarmes Wasser getauchten Tuch abgewischt werden. Lösungsmittel, Spülmittel, Seifenpulver oder heißes Wasser dürfen auf keinen Fall verwendet werden!
- Reparaturen dürfen nur von Fachleuten ausgeführt werden. Wenden Sie sich hierzu bitte an Ihren BERG Händler.

Wartungsanleitungen für **Regular**-Trampoline:

- Starker Wind und Windböen können das Trampolin verschieben. Wir empfehlen Ihnen eine Verankerung des Trampolins mit Ankern oder Sandsäcken oder die Demontage des Sprungtuchs vor diesen Wetterbedingungen.
- Im Winter kann in einigen Ländern das Trampolin durch das Gewicht von Schnee und sehr niedrige Temperaturen beschädigt werden. BERG rät Ihnen, in diesem Zeitraum Sprungtuch und Sicherheitsnetz im Innenbereich aufzubewahren.
- Sichern Sie das Trampolin ordnungsgemäß, wenn es nicht in Gebrauch ist. Schützen Sie das Trampolin vor einer unbefugten Nutzung. Wenn eine Trampolinleiter verwendet wird, hat die Aufsichtsperson die Leiter beim Verlassen des Bereichs zu entfernen, um einen unbeaufsichtigten Zugang von Kindern unter 6 Jahren zu verhindern.
- Wenn das Trampolin kurzzeitig nicht benutzt wird, kann es mit einer BERG-Abdeckhülle vor Blättern, Zweigen u. dgl. geschützt werden. Wird das Trampolin für längere Zeit nicht benutzt (z. B. im Winter), empfehlen wir zur Verlängerung der Lebensdauer des Produkts, das Trampolin und insbesondere den Schutzrand an einem trockenen Ort zu lagern.

Wartungsanleitungen für **InGround**-Trampoline:

- Nach einer längeren Regenperiode sollte die Grube ebenfalls kontrolliert werden. Stellen Sie eine gute Drainage für den Regenwasserabfluss sicher.
- Verwenden Sie das (im Paket) mitgelieferte Maßband, um die Größe der auszuhebenden Grube, also Durchmesser, Tiefe und Form, zu bestimmen. Ziehen Sie hierzu auch die Abbildung in der Aufbauanleitung zu Rate. Machen Sie die Grube nicht zu tief, den Durchmesser zu groß oder die Seitenwände zu steil. Dies kann zum Einstürzen der Grube führen oder die Stabilität des Trampolins beeinflussen.
- Die Fuß-Sockel des Trampolins unterstützen den Trampolin-Rahmen. Sorgen Sie dafür, dass alle Trampolin-Füße auf gleicher Höhe platziert werden und fest auf dem Boden stehen. Verankern Sie die Trampolin-Füße mit den mitgelieferten Metall-Heringen.
- Überprüfen Sie regelmäßig (mindestens einmal jährlich) das Loch unter dem Trampolin und ergreifen Sie gegebenenfalls korrigierende Maßnahmen. Wie in den Montageanweisungen beschrieben, sollte geprüft werden, ob das Loch die richtige Tiefe und Form hat, ob die Rahmenstabilität in Ordnung ist und ob das Trampolin noch waagrecht steht. Überprüfen Sie das Loch auf Objekte und entfernen Sie sie gegebenenfalls.
- Im Winter kann in einigen Ländern das Trampolin durch das Gewicht von Schnee und sehr niedrige Temperaturen beschädigt werden. BERG rät Ihnen, das Trampolin regelmäßig schneefrei zu machen.
- Wenn das Trampolin eine kurze Zeit nicht benutzt wird, kann es mit einem BERG-Schutzbezug abgedeckt werden, der das Trampolin beispielsweise von Blättern und Zweigen frei hält. Wenn das Trampolin eine längere Zeit nicht benutzt wird (beispielsweise im Winter), sollte der Schutzrand an einem trockenen Ort aufbewahrt werden, damit die Lebensdauer des Produkts verlängert wird.

Wartungsanleitungen für **FlatGround**-Trampoline:

- Nach einer längeren Regenperiode sollte die Grube ebenfalls kontrolliert werden. Stellen Sie eine gute Drainage für den Regenwasserabfluss sicher.
- Verwenden Sie das (im Paket) mitgelieferte Maßband, um die Größe der auszuhebenden Grube, also Durchmesser, Tiefe und Form, zu bestimmen. Ziehen Sie hierzu auch die Abbildung in der Aufbauanleitung zu Rate.
- Überprüfen Sie regelmäßig (mindestens einmal jährlich) das Loch unter dem Trampolin und ergreifen Sie gegebenenfalls korrigierende Maßnahmen. Wie in den Montageanweisungen beschrieben, sollte geprüft werden, ob das Loch die richtige Tiefe und Form hat, ob die Rahmenstabilität in Ordnung ist und ob das Trampolin noch waagrecht steht. Überprüfen Sie das Loch auf Objekte und entfernen Sie sie gegebenenfalls.



6. Garantie

6.1 Garantiezeit

BERG Trampoline sind hochwertige Geräte. BERG bietet Ihnen eine Funktionsgarantie für jahrelangen, sorglosen Spielspaß. Eine Funktionsgarantie ist eine Garantie auf die Funktionale Nutzung des Trampolins. Bitte entnehmen Sie der nachfolgenden Tabelle die Laufzeit dieser Garantie (Jahren).

Rahmen	10
Rahmen (nach Produktregistrierung)	13 (10+3)
Schutzrand (Elite)	5
Schutzrand (Champion)	2
Sprungtuch	2
Federn	5
Safety Net	2

Auf Sicherheitsnetze und Zubehör wird eine Garantie von 2 Jahren gewährt, mit Ausnahme der Abdeckhülle Basic, für die eine Garantie von 1 Jahr gilt. Verschleißteile (z.B. Gummizüge), die Folgen von Witterungseinflüssen (z.B. Rost und Verfärbung) und der Schaumstoff um die Rohre der Sicherheitsnetze sind von der Garantie ausgeschlossen.

6.2 Garantiebestimmungen

Der Eigentümer des Produkts kann eine Garantie nur durch Vorlage der Originalrechnung über den Kauf bei BERG oder dem Händler, bei dem das Produkt gekauft wurde, geltend machen. Die Garantie gilt ausschließlich für Material- und Konstruktionsfehler bei diesem Produkt oder Teilen hiervon.

Die Garantie erlischt, wenn:

- das Produkt falsch, nachlässig oder unsachgemäß verwendet wurde.
- das Produkt nicht in Übereinstimmung mit der Anleitung montiert und gewartet wird.
- technische Reparaturen an dem Produkt nicht fachgerecht ausgeführt werden.
- nachträglich montierte Teile nicht den technischen Spezifikationen des betreffenden Produkts entsprechen oder deren Montage nicht ordnungsgemäß erfolgte.
- wenn Schäden durch Witterungseinflüsse wie Rost, UV-Strahlen oder normaler Verschleiß auftreten.
- Trampoline von BERG unsachgemäß abgesenkt werden.
- das Produkt zu Vermietungszwecken verwendet oder auf irgendeine andere Weise mehreren nicht näher bezeichneten Personen zur Verfügung gestellt wird.
- Während der Garantiezeit werden sämtliche von BERG anerkannten Material- und Konstruktionsfehler nach dem Ermessen von BERG im Anschluss an eine Prüfung der Sachverhalte durch BERG repariert oder ersetzt. Eine kostenfreie Reparatur erfolgt unter der Voraussetzung, dass die in Ziffer 10.1 genannte Garantiezeit noch läuft.
- Der Eigentümer dieses Produkts kann Ansprüche im Rahmen dieser Garantie nur dann geltend machen, wenn er das Produkt einem BERG-Händler zur Prüfung zur Verfügung stellt. Gleichzeitig muss dem Händler die Originalkaufrechnung ausgehändigt werden. Wenn der Eigentümer umgezogen oder der Händler nicht mehr verfügbar ist, teilt BERG dem Eigentümer auf Anfrage den nächst gelegenen BERG-Händler mit.
- Wenn ein Garantieanspruch abgelehnt wird, müssen alle angefallenen Kosten vom Eigentümer bezahlt werden.
- Diese Garantie ist nicht übertragbar an Dritte.

BERG



PRODUCT REGISTRATION

Möchtest du eine kostenlose Zusatzgarantie?*

Vergiss dann nicht, dein Produkt gleich nach dem Kauf unter **www.bergtoys.com/de/registration** online zu registrieren!

Mit dieser Produktregistrierung erhältst du 3 zusätzliche Jahre Garantie auf den Rahmen deines Pedal-Gokarts oder Trampolins. Diese Garantie wird zusätzlich zu der Standardgarantie auf den Rahmen gewährt, die du erhältst.

*Die Bedingungen findest du auf www.bergtoys.com/de/registration



www.bergtoys.com/de/registration



Index

1. Introduction
2. Attention
3. Information
4. Instructions de saut
 - 4.1 Instructions de saut
 - 4.2 Sauts de base
5. Instructions de montage et d'entretien
 - 5.1 Montage et démontage
 - 5.2 Instructions d'entretien
6. Garantie
 - 6.1 Période de garantie
 - 6.2 Conditions de garantie

Ce trampoline convient pour un usage familial. Vous pouvez trouver les informations décrivant les trampolines appropriés à un usage public (comme par exemple un camping, un parc de vacances, un restaurant, etc) sur le site Web www.bergtoys.com.

1. Introduction

Nous espérons que vous tirerez beaucoup de plaisir de votre trampoline et vous remercions chaleureusement pour l'achat de trampoline BERG. La pratique du trampoline est une source de plaisir et une activité saine. En plus d'être une occupation agréable, le trampoline contribue également à réduire le stress, à améliorer la condition physique et la circulation sanguine. Le trampoline est pour tous les âges. Ce manuel vous donne des indications sur l'assemblage, des instructions sur la sécurité et le saut afin de vous garantir une sécurité totale. Sauter sur un trampoline est non dangereux si vous suivez scrupuleusement nos instructions. BERG vous souhaite beaucoup de plaisir lorsque vous sautez!

Attention ! Ce manuel est adapté à plusieurs types de trampolines. En lisant le manuel, veuillez à identifier les informations qui s'appliquent spécifiquement à votre trampoline.

2. Attention

Avertissements généraux :

- Le poids maximal de l'utilisateur est de :

Ø270	Ø330	Ø380	Ø430
70kg	100kg	110kg	120kg

- Ne convient pas aux enfants de moins de 36 mois. Risque de chute.
- Ne convient pas aux enfants de moins de 36 mois. Danger d'étouffement, petits éléments.
- Le trampoline doit être monté par un adulte conformément à la notice de montage, et vérifié avant la première utilisation.
- Le Trampoline BERG est destiné à une utilisation extérieure.
- Lire les instructions. Gardez-les pour référence ultérieure.
- Un seul utilisateur à la fois. Risque de collision. Utilisation par plusieurs personnes peut causer des blessures graves.
- Sauter sans chaussures.
- Ne pas utiliser le tapis lorsqu'il est mouillé.
- Vider les poches et les mains avant de sauter.
- Toujours sauter au milieu du tapis.
- Ne pas manger en sautant.
- Ne pas sortir en sautant
- Limiter la durée d'utilisation continue (faire des pauses régulières).
- Ne pas utiliser en condition de vent fort et arrimer le trampoline.
- Pas de sauts périlleux. Si vous retombez sur la tête ou la nuque, il y a risque de graves blessures, même si vous atterrissez au centre de la toile.
- La surveillance d'un adulte est nécessaire.
- N'utilisez pas le trampoline BERG si vous avez consommé de l'alcool ou des drogues.
- Le coussin peut devenir très chaud quand il est exposé au soleil, faites-y attention.
- N'exposez pas le trampoline au feu ou à toutes autres sources de chaleur.
- Maintenez éloignés les objets et obstacles qui pourraient gêner l'utilisateur. Faites en sorte que l'espace situé autour du trampoline soit vide.
- Aucune personne ou aucun objet ne doit être présent sous le trampoline quand quelqu'un l'utilise.
- Sautez toujours au centre de la toile de saut. Évitez de sauter sur le bord de la toile et la bordure de protection.
- Les mouvements de glissades brusques (comme des « slidings ») frottant sur les impressions du tapis de saut ou du capitonnage sont déconseillés. Il est possible que l'encre déteigne en cas de frottement appuyé sur les impressions du tapis de saut ou du capitonnage. Il peut s'avérer difficile de nettoyer l'encre des vêtements, L'encre répond aux exigences chimiques strictes imposées aux jouets, donc le contact avec la peau ou l'ingestion de cette encre n'ont aucun effet nocif sur la santé.

Avertissements **Regular** :

- Le trampoline BERG ne devrait pas être utilisé par les enfants âgés de moins de 6 ans.
- Ce trampoline n'est pas destinée à être enfouie/enterré dans le sol.
- Les BERG trampoline ne doivent pas être installés sur du béton, ni de l'asphalte ou toute autre surface dure. Ni à proximité d'autres installations conflictuelles (par exemple, piscine, balançoires, toboggans, murs d'escalade...).

Avertissements **InGround** :

- Utilisé avec un filet de protection, le trampoline BERG n'est pas recommandé aux enfants de moins de 6 ans.
- Utilisé sans filet de protection, le trampoline BERG n'est pas recommandé aux enfants de moins de 14 ans.
- Un trou doit être creusé avant le montage du trampoline. Si vous n'êtes pas sûr de pouvoir effectuer le terrassement, veuillez contacter un professionnel.
- Aucun objet, animal ou personne ne doit se trouver sous le trampoline BERG. Si vous détachez le coussin de protection, assurez-vous avant de le remettre en place qu'il n'y a rien sous le trampoline.



- Les BERG trampoline ne doivent pas être installés sur du béton, ni de l'asphalte ou toute autre surface dure. Ni à proximité d'autres installations conflictuelles (par exemple, piscine, balançoires, toboggans, murs d'escalade...).

*Avertissements **FlatGround** :*

- Utilisé avec un filet de protection, le trampoline BERG n'est pas recommandé aux enfants de moins de 6 ans.
- Utilisé sans filet de protection, le trampoline BERG n'est pas recommandé aux enfants de moins de 14 ans.
- Un trou doit être creusé avant le montage du trampoline. Si vous n'êtes pas sûr de pouvoir effectuer le terrassement, veuillez contacter un professionnel.
- Aucun objet, animal ou personne ne doit se trouver sous le trampoline BERG. Si vous détachez le coussin de protection, assurez-vous avant de le remettre en place qu'il n'y a rien sous le trampoline.

*Avertissements concernant le **filet de sécurité** :*

- Toujours fermer l'ouverture du filet avant de sauter.
- Ne pas sauter au-dessus du bord supérieur du filet de sécurité.
- Ne passe pas sous la partie inférieure du filet de sécurité.
- Le filet de protection sert à augmenter la sécurité pendant les sauts, évitez de sauter intentionnellement dans le filet, de vous suspendre au filet de protection ou de grimper à l'intérieur.
- Assurez-vous que les vêtements de l'utilisateur n'aient aucuns crochets, boucles, cordons ou qu'ils ne puissent pas s'accrocher au filet de sécurité.
- N'attachez au filet de sécurité que les accessoires qui sont approuvés par BERG ou qui font partie du filet de sécurité.
- N'utilisez pas les poteaux du filet pour faire de l'escalade.
- Utilisez seulement l'ouverture d'entrée du filet de sécurité pour monter sur ou pour descendre du trampoline.
- Tenir le filet de sécurité loin du feu.
- Il est recommandé de remplacer le filet tous les 5 ans. (ou plus tôt si perte de fonctionnalités).
- Nous vous conseillons en cas de vent fort et de rafales de vent de démonter le filet de protection avant de telles conditions météorologiques.

3. Information

- Utilisez uniquement votre produit BERG comme indiqué ci-dessous. Les utilisations non autorisées peuvent provoquer de graves blessures de l'utilisateur et/ou endommager le produit. Lisez toutes les instructions avant d'utiliser le trampoline. Les mises en garde et les instructions relatives à l'entretien, à la maintenance et à l'utilisation du trampoline visent une utilisation en toute sécurité et agréable de cet équipement.
- Tout autour du trampoline, prévoyez un espace libre de 2 mètres minimum, sans arbres, clôtures ni autres obstacles.
- Au-dessus du trampoline, l'espace libre doit être de 7 mètres minimum, comptés à partir du sol.
- Il n'est pas autorisé d'apporter des modifications ou des changements au trampoline. Cela peut vous mettre en danger. Seules les modifications qui sont approuvées par, ou conformes aux indications de BERG, sont autorisées.

4. Instructions de saut

4.1 Instructions de saut

- Lors de l'utilisation du trampoline BERG, il est impératif d'adopter une posture adéquate. La posture correcte et l'équilibre sont obtenus en contractant les muscles appropriés, ce qui permet de sauter en toute sécurité sur le trampoline.
- Une bonne position permet une utilisation sûre du trampoline. Pendant les sauts, le corps est exposé à des chocs qui doivent être amortis correctement. En tendant vos muscles, vous parvenez à un meilleur équilibre et vous augmentez la force de saut et de rebond de votre corps. Si la position est plus relâchée, il y aura une perte d'énergie et la force de saut et de rebond diminuera. Commencez par des sauts et des positions de base et ne faites pas de mouvements plus difficiles avant de bien maîtriser les fondements.

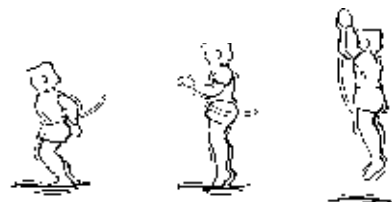
Interrompez le saut en pliant les genoux dès que vos pieds touchent la toile de saut.

- Interrompez le saut en pliant les genoux dès que vos pieds touchent la toile de saut. Apprenez cette technique de base avant de vous perfectionner.
- Apprenez bien les sauts et positions de base avant d'essayer des mouvements plus difficiles. Pour s'exercer, il est possible de réaliser différentes séries et combinaisons de mouvements de base, avec ou sans sauts.
- Évitez de sauter trop haut. Faites de petits sauts jusqu'à ce que vous ayez une bonne maîtrise et que vous atterrissez au centre du trampoline. La maîtrise est plus importante que la hauteur.
- Tenez la tête bien droite et dirigez les yeux vers le périmètre du trampoline. Vous apprendrez ainsi à maîtriser les sauts.
- Vérifiez l'état des ressorts (ressorts cassés ou excessivement détendus) ainsi que leur fixation au cadre et au tapis de saut. Les ressorts et leur suspension sont sujets à l'usure, remplacez les pièces usées en temps voulu.

4.2 Sauts de base

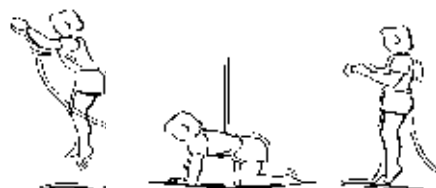
Saut de base

Tenez-vous debout et gardez la tête droite. Gardez les yeux orientés sur le tapis de saut. Balancez les bras en avant et en haut dans un mouvement circulaire. Gardez les pieds côte à côte et orientez les orteils vers le bas au cours du saut. Gardez les pieds lors de l'atterrissage à environ 40 centimètres l'un de l'autre.



Saut sur mains et genoux

Démarrez par le saut de base. Gardez les yeux orientés sur le tapis de saut. Balancez les bras en avant et en haut dans un mouvement circulaire. Retombez sur les mains et les genoux. Repoussez avec les mains et retombez debout en posture droite.



Saut sur siège

Démarrez par le saut de base. Gardez les yeux orientés sur le tapis de saut. Retombez en position assise. Placez les mains à côté des hanches sur le tapis de saut. Repoussez avec les mains et retombez debout en posture droite.



Saut ventral

Démarrez par le saut de base et retombez sur le ventre. Gardez la tête droite. Gardez les bras devant la tête sur le tapis de saut. Repoussez avec les bras pour revenir droit.



Saut dorsal

Démarrez par le saut de base et retombez sur le dos. Gardez le menton serré contre la poitrine lors de votre descente. Lancez les jambes en avant et en haut lorsque vous revenez debout.





5. Instructions de montage et d'entretien

5.1 Montage et démontage

Montage et démontage général :

- Ne montez pas le trampoline par vent fort, attendez que le vent soit retombé.
- Nous conseillons de porter des gants de travail lors du montage des produits.
- Veillez à ce que le trampoline BERG soit de niveau. Utilisez pour ce faire un niveau à bulle.
- Le trampoline peut comporter des fixations avec écrous autobloquants. Ces écrous autobloquants sont exclusivement à usage unique. En cas de démontage et de remontage, ils doivent être remplacés.
- Voir les pages 3 et suivantes pour les instructions de montage du produit.
- Installez les accessoires selon les instructions d'installation ci-jointes.
- Si le trampoline doit être déplacé, en raison de l'entretien de l'emplacement actuel ou d'autres raisons, démonter les ancrs (le cas échéant) et déplacer le trampoline. Soulevez le trampoline avec d'au moins 4 adultes, en soulevant le trampoline dans les rails haut et déplacer vers le nouvel emplacement.
- Le trampoline doit être enlevé et placé dans un endroit alternatif, pas à proximité de l'emplacement. Il doit être démonté et placé dans l'emballage d'origine. Ré-assembler conformément aux instructions d'assemblage et d'installation.

Montage et démontage InGround :

- Zone géographique : Trouver un endroit approprié pour l'installation du trampoline en s'assurant qu'il n'y a pas d'obstacles environnants. Vérifier l'état du sol et les caractéristiques du lieu désigné pour déterminer la pertinence de l'installation.
- Le sol doit être ferme pour que le trou ne s'effondre pas à cause de l'érosion rapide du sol. Renforcez si nécessaire les parois du trou ou lissez-les pour éviter son effondrement.
- Si le sol est trop dur pour creuser, il peut être préférable de choisir un autre emplacement ou de contacter un professionnel du terrassement.
- Le trou creusé ne doit pas contenir l'eau. Vérifier si un niveau de nappe haute ne contribue pas à une collection d'eau dans le trou.
- Vérifiez en outre, il y a un drainage adéquat pour éliminer l'eau de pluie.

Montage et démontage FlatGround :

- Zone géographique : Trouver un endroit approprié pour l'installation du trampoline en s'assurant qu'il n'y a pas d'obstacles environnants. Vérifier l'état du sol et les caractéristiques du lieu désigné pour déterminer la pertinence de l'installation.
- Le sol doit être ferme pour que le trou ne s'effondre pas à cause de l'érosion rapide du sol. Renforcez si nécessaire les parois du trou ou lissez-les pour éviter son effondrement.
- Si le sol est trop dur pour creuser, il peut être préférable de choisir un autre emplacement ou de contacter un professionnel du terrassement.
- Le trou creusé ne doit pas contenir l'eau. Vérifier si un niveau de nappe haute ne contribue pas à une collection d'eau dans le trou.
- Vérifiez en outre, il y a un drainage adéquat pour éliminer l'eau de pluie.

5.2 Instructions d'entretien

Instructions d'entretien générales :

- Avant chaque utilisation, inspectez le trampoline BERG en vous référant à la notice de montage et remplacez les pièces défectueuses, usées ou manquantes. Le non-respect de ces instructions et l'absence de maintenance peuvent entraîner des situations dangereuses et des risques inutiles pour l'utilisateur. Pour commander des pièces et des accessoires d'origine pour le trampoline BERG, consultez votre revendeur ou rendez-vous sur www.bergtoys.com.
- Vérifiez l'état des pièces du cadre (soudures cassées, cadre plié ou pièces tranchantes et en saillie) et remplacez-les au besoin.
- Vérifiez l'état des ressorts (ressorts cassés ou excessivement détendus) ainsi que leur fixation au cadre et au tapis de saut. Les ressorts et leur suspension sont sujets à l'usure, remplacez les pièces usées en temps voulu.
- Vérifiez que les assemblages boulonnés sont serrés et resserrez-les éventuellement. Vérifiez le serrage des assemblages (poussoirs à ressort) et assurez-vous qu'ils ne se détachent pas pendant les sauts.

- Vérifiez l'état du tapis de saut (détérioration, tension inappropriée, coutures décousues ou affaissement du tapis de saut). Le tapis de saut s'use du fait de son utilisation et de l'exposition aux rayons du soleil (rayonnement UV). Remplacez le tapis de saut à temps, lorsque son état se détériore.
- Contrôlez l'état du coussin de protection et la fixation du coussin au cadre. Remplacez un coussin de protection défectueux.
- L'utilisation d'engrais (engrais artificiel, engrais en granulés, etc.) n'est pas autorisée dans un rayon de 2 mètres autour du trampoline BERG. L'utilisation de produits de ce genre peut nuire aux matériaux du trampoline.
- Pour nettoyer le tapis de saut et le coussin de protection du cadre, utilisez un chiffon et de l'eau froide ou tiède. N'utilisez en aucun cas des solvants, des détergents, de la poudre de savon ou de l'eau très chaude.
- Toutes les réparations doivent être effectuées professionnellement. Adressez-vous à votre revendeur BERG.

*Instructions d'entretien **Regular** :*

- Un vent fort et des rafales de vent peuvent déplacer le trampoline. Nous vous conseillons de fixer le trampoline au moyen d'un kit d'ancrage au sol ou de le lester avec des sacs de sable ou encore de démonter le tapis de saut avant de telles conditions météorologiques.
- Dans certains pays, le poids de la neige et les très basses températures en hiver peuvent endommager le trampoline. BERG vous conseille de ranger le tapis de saut et le filet de protection à l'intérieur pendant la saison hivernale.
- Rangez bien le trampoline quand vous ne l'utilisez pas. Protégez-le contre toute utilisation non autorisée. Si présente, enlevez l'échelle quand le trampoline n'est pas utilisé afin d'éviter que des enfants ne montent dessus.
- Quand le trampoline n'est pas utilisé pendant une courte période, on peut le recouvrir si nécessaire avec une housse de protection BERG, le protégeant par exemple des feuilles et des brindilles. Quand le trampoline n'est pas utilisé pendant une longue période (par exemple pendant l'hiver), nous vous recommandons de ranger le trampoline et en tout cas la bordure de protection dans un endroit sec pour prolonger la durée de vie du produit.

*Instructions d'entretien **InGround** :*

- Inspecter le trou sous le trampoline après une période de pluie. Prendre soin de bon drainage évacuer l'eau.
- Selon le schéma de la notice d'installation, utilisez le ruban à mesurer inclus (situé dans l'emballage) pour mesurer et déterminer le correcte diamètre, la profondeur et la forme du trou creusé. Assurez-vous que le trou sera creusé selon les spécifications et que les murs sont en forme et pas trop raide. Déviation des particularités de l'orifice peut entraîner l'instabilité effondrement et de trampoline non désirés.
- Les pieds du trampoline supportent l'armature du trampoline. Assurez-vous que les pieds sont au même niveau, et fermement sur le sol. Ancrer les pieds avec les ancrés inclus.
- Inspectez régulièrement le trou sous le trampoline (au moins 1 x par an) et prenez des mesures correctrices si nécessaire. Comme indiqué dans les instructions de montage, vérifiez la profondeur et la forme appropriées du trou, la stabilité du cadre et assurez-vous que le trampoline est encore de niveau. Vérifiez qu'il n'y a pas d'objets dans le trou, ôtez-les au besoin.
- Dans certains pays, le poids de la neige et les très basses températures en hiver peuvent endommager le trampoline. BERG vous conseille d'enlever régulièrement la neige de votre trampoline.
- Lorsque le trampoline n'est pas utilisé sur de courtes périodes, il peut être recouvert d'une housse de protection BERG qui le protégera, par exemple, des feuilles et des branches. Lorsque le trampoline n'est pas utilisé sur une période prolongée (par exemple en hiver), nous conseillons de ranger le coussin de protection dans un endroit sec, afin de prolonger la durée de vie du produit.

*Instructions d'entretien **FlatGround** :*

- Inspecter le trou sous le trampoline après une période de pluie. Prendre soin de bon drainage évacuer l'eau.
- Selon le schéma de la notice d'installation, utilisez le ruban à mesurer inclus (situé dans l'emballage) pour mesurer et déterminer le correcte diamètre, la profondeur et la forme du trou creusé.
- Inspectez régulièrement le trou sous le trampoline (au moins 1 x par an) et prenez des mesures correctrices si nécessaire. Comme indiqué dans les instructions de montage, vérifiez la profondeur et la forme appropriées du trou, la stabilité du cadre et assurez-vous que le trampoline est encore de niveau. Vérifiez qu'il n'y a pas d'objets dans le trou, ôtez-les au besoin.



6. Garantie

6.1 Période de garantie

Les trampolines BERG sont de équipements de qualité supérieure. BERG vous offre Garantie fonctionnelle pour vous assurer une utilisation agréable et sans problèmes pendant de longues années. Une garantie fonctionnelle est une garantie portant sur l'utilisation fonctionnelle du trampoline. Veuillez consulter le tableau ci-dessous pour prendre connaissances des conditions (ans).

Cadre	10
Cadre (après enregistrement du produit)	13 (10+3)
Coussin de protection (Elite)	5
Coussin de protection (Champion)	2
Toile de saut	2
Ressorts	5
Filet de protection	2

La filet de sécurité et les accessoires présentent une garantie de 2 ans sauf la housse de protection Basic qui a une période de garantie de 1 an. Les pièces d'usure et les composants pouvant se déchirer (tels que le élastiques) ainsi que les effets climatologiques (rouille et décoloration par exemple) et la mousse sur le poteaux des filets de sécurité sont exclus de la garantie.

6.2 Conditions de garantie

Le propriétaire du produit ne peut faire valoir son droit à la garantie que sur présentation du ticket de caisse original de BERG ou du revendeur chez lequel il a acheté le produit. La garantie s'applique exclusivement aux défauts de matériel et de construction, pour le produit ou ses composants.

La garantie ne marche pas dans les cas suivants:

- le produit est utilisé de manière erronée, négligente ou inappropriée.
- Le produit n'a pas été assemblé et n'est pas entretenu conformément aux instructions.
- Les réparations techniques n'ont pas été réalisées de manière professionnelle.
- Les composants mis en place ne correspondent pas aux spécifications techniques du produit ou l'installation n'a pas été réalisée correctement.
- Les endommagements provoqués par les effets climatologiques (rouille, rayons ultraviolets) ou une usure ou détérioration normale.
- Abaissement incorrect des trampolines BERG.
- Le produit est loué ou mis à disposition, d'une autre manière, de personnes non spécifiées.
- Pendant la période de garantie, tous les défauts de matériaux et de construction établis par BERG seront réparés ou remplacés, au choix de BERG. Les réparations seront effectuées gratuitement si la période de garantie mentionnée au point 10.1 est encore valable.
- Le propriétaire du produit ne peut faire de revendications liées à la garantie que s'il fournit le produit au revendeur BERG pour inspection. La facture d'achat originale doit également être remise au revendeur. Si le propriétaire a déménagé ou que le revendeur a cessé ses activités, BERG communiquera au propriétaire, à sa demande, l'emplacement du revendeur BERG le plus proche.
- Si la revendication liée à la garantie est refusée, tous les frais engagés seront à la charge du propriétaire.
- La présente garantie ne peut pas être transférée à des tiers.

BERG



PRODUCT REGISTRATION

Veux-tu une garantie supplémentaire gratuite?*

N'oublie pas d'enregistrer ton produit en ligne directement après l'achat via **www.bergtoys.com/fr/registration**.

L'enregistrement de ce produit te permet de recevoir 3 années supplémentaires de garantie sur le cadre de ton kart à pédales ou de ton trampoline. Cette garantie supplémentaire s'ajoute à la garantie standard sur le cadre.

*Consulte les conditions sur www.bergtoys.com/fr/registration



www.bergtoys.com/fr/registration



Index

1. Introduktion
2. Varningar
3. Information
4. Instruktioner för hoppning
 - 4.1 Instruktioner för hoppning
 - 4.2 Grundläggande hopp
5. Montering och underhållsinstruktioner
 - 5.1 Montering & nedmontering
 - 5.2 Underhållsinstruktioner
6. Garanti
 - 6.1 Garantiperiod
 - 6.2 Garantins villkor

Den här studsattan är lämplig för privat bruk. Information om vilka studsattor som är lämpliga för användning i offentliga miljöer (som campingplatser, semesteranläggningar, restauranger med mera) finns på www.bergtoys.com.

1. Introduktion

Tack för att du väljer en studsatta från BERG. Vi är säkra på att du kommer att få många års nytta och nöje av att hoppa. Att använda studsatta uppmuntrar till aktiv och hälsosam lek. Det har en positiv inverkan på stress, fysiskt välbefinnande och blodcirkulation. Att hoppa studsatta är till för dem som är unga och dem som känner sig unga! Denna manual ger dig tips om montering och säker användning, samt hoppinstruktioner för många års problemfri användning. Att hoppa på en studsatta är inte farligt så länge som man följer säkerhetsinstruktionerna. BERG önskar dig en rolig och aktiv hoppupplevelse!

Observera! Denna handbok är lämplig för flera typer av studsattor. När du läser handboken, ska du vara uppmärksam på vilken information som gäller för din studsatta.

2. Varningar

Allmänna varningar:

- Användarens vikt ska inte överstiga:

Ø270	Ø330	Ø380	Ø430
70kg	100kg	110kg	120kg

- Inte lämplig för barn under 36 månader. Fallrisk.
- Inte lämplig för barn under 36 månader. Kvävningrisk. Små delar.
- Studsmattan ska monteras av en vuxen enligt monteringsanvisningarna och ska sedan kontrolleras före första användning.
- BERG-trampolinen får endast användas utomhus.
- Läs instruktionerna noggrant och spara dem för framtida bruk.
- Endast en användare i taget. Risk för kollision. Om trampolinen används av flera personer kan detta leda till allvarliga skador.
- Hoppa utan skor.
- Använd inte mattan när den är blöt.
- Ha inget i händerna och töm fickorna innan du hoppar.
- Hoppa alltid i mitten av mattan.
- Ät inte när du hoppar.
- Hoppa inte av mattan
- Begränsa den tid som du hoppar (ta regelbundna pauser).
- Använd inte mattan vid starka vindar och förankra studsmattan.
- Inga kullerbyttor eller volter. Att landa på huvud eller nacke kan orsaka allvarliga skador också om du landar i mitten av mattan.
- Tillsyn av vuxen krävs.
- Det är förbjudet att använda BERGs studsmattor under påverkan av alkohol eller droger.
- Var försiktig eftersom kantskyddet kan bli väldigt varmt i direkt solljus.
- Håll eld och andra värmekällor borta från studsmattan.
- Föremål och andra hinder som kan störa hoppningen bör inte få finnas i hoppområdet.
- Föremål, djur eller människor under BERG-studsmattan är förbjudet.
- Hoppa alltid i mitten av mattan. Undvik att hoppa på dukens kant och studsmattans kantskydd.
- Rörelser som orsakar friktion (som en glidande rörelse) på studsmattans eller stoppningens tryck rekommenderas inte. Kraftig friktion vid en glidande rörelse över studsmattans eller stoppningens tryck kan leda till att tryckfärgen överförs på hud eller kläder. Det kan vara svårt att få bort tryckfärgen från kläder. Tryckfärgen uppfyller de stränga kemiska krav som uppställts för leksaksprodukter, därför har tryckfärgen vid kontakt med huden eller vid förtäring inga skadliga effekter på människors hälsa.

Regular-varningar:

- BERG-studsmattan rekommenderas inte för användning av barn under 6 års ålder.
- Denna studsmatta är inte avsedd att begravas i marken.
- Att installera BERG-studsmattan på betong, asfalt eller några andra hårda ytor eller i närheten av andra lekinstallationer (pooler, gungor, rutschkanor eller några andra lekkonstruktioner) är förbjudet.

InGround-varningar:

- Vid användning med ett skyddsnät rekommenderas att BERG studsmatta inte används av barn under 6 år.
- Vid användning utan ett skyddsnät rekommenderas att BERG studsmatta inte används av barn under 14 år.
- Gräv en grop innan studsmattan monteras. Om du är osäker på hur grävarbetet ska utföras, så ta kontakt med en specialist.
- Föremål, djur eller människor får inte befinna sig under BERG-studsmattan. Om du tar bort kantskyddet, så kontrollera innan du sätter tillbaka det att det inte ligger något under studsmattan.
- Att installera BERG-studsmattan på betong, asfalt eller några andra hårda ytor eller i närheten av andra lekinstallationer (pooler, gungor, rutschkanor eller några andra lekkonstruktioner) är förbjudet.

FlatGround-varningar:

- Vid användning med ett skyddsnät rekommenderas att BERG studsmatta inte används av barn under 6 år.
- Vid användning utan ett skyddsnät rekommenderas att BERG studsmatta inte används av barn under 14 år.
- Gräv en grop innan studsmattan monteras. Om du är osäker på hur grävarbetet ska utföras, så ta



kontakt med en specialist.

- Föremål, djur eller människor får inte befinna sig under BERG-studsmattan. Om du tar bort kantskyddet, så kontrollera innan du sätter tillbaka det att det inte ligger något under studsmattan.

Safety Net-varningar:

- Säkerställ att ingången i säkerhetsnätet är helt stängd innan BERG-trampolinen används.
- Det är inte tillåtet att hoppa över säkerhetsnätet.
- Det är inte tillåtet att krypa mellan trampolinstoppningen och undersidan av säkerhetsnätet.
- Skyddsnätet är avsett att göra det säkrare att hoppa, hoppa inte medvetet in i skyddsnätet och häng eller klättra inte i nätet.
- Se till så att användarens kläder inte innehåller några krok, öglor, snören eller andra lösa delar som kan fastna i säkerhetsnätet.
- Det är inte tillåtet att fästa tillbehör eller reservdelar som inte är kompatibla med BERG i BERGs säkerhetsnät.
- Det är inte tillåtet att klättra på säkerhetsnätets stolpar.
- Ingången i säkerhetsnätet är BERG-trampolins enda ingång och utgång.
- Håll eld borta från säkerhetsnätet.
- Nätet ska bytas ut efter 5 år. (Eller tidigare om det slutar fungera).
- Vi rekommenderar dig att nedmontera skyddsnätet om kraftig vind och vindstötter väntas.

3. Information

- Denna BERG-produkt ska användas så som beskrivs i manualen. Användande som avviker från instruktionerna i manualen kan potentiellt leda till allvarliga skador på person eller produkt. Läs alla instruktioner innan studsmattan används. För att det ska vara säkert och behagligt att använda BERG-studsmattan medföljer varningar och instruktioner för skötsel och underhåll.
- Försäkra dig om ett område på minst 2 meter som är fritt från träd, staket och alla andra hinder i omgivningen.
- Det krävs att man har en fri höjd på minst 7 meter mätt från den yta som studsmattan står på.
- Av säkerhetsskäl är modifikationer eller ändringar av studsmattan, om de inte är godkända av BERG, förbjudna.

4. Instruktioner för hoppning

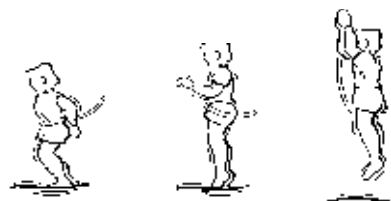
4.1 Instruktioner för hoppning

- Vid användning av en BERG-studsmatta är det nödvändigt att hålla kroppen i rätt position. Rätt kroppsposition och hållning uppnås genom att man spänner rätt muskler, vilket gör det säkert att hoppa studsmatta.
- God hållning gör det säkert att använda BERG-studsmattan. När man hoppar utsätts kroppen för stötar som kräver korrekt absorbering. Genom att spänna dina muskler får du bättre kontroll över din balans, och det leder till mer fjädring i hoppen. En mer avslappnad hållning, däremot, leder till mindre energi och mindre fjädring i hoppen. Börja med de grundläggande hoppen och positionerna och öka bara svårighetsgraden när du har bemästrat dem. För att få till ett stopp när du hoppar, böj på knäna när fötterna rör mattan.
- För att få till ett stopp när du hoppar, böj på knäna när fötterna rör mattan. Lär dig denna färdighet innan du försöker med något annat.
- Lär dig grundläggande hopp och kroppspositioner noggrant innan du försöker mer avancerade tekniker. En mängd hopp tekniker kan utföras för sig själva eller i serier eller kombinationer mellan hopp.
- Undvik att hoppa för högt. Lär dig först att kontrollera hoppen med en korrekt landning i mitten av mattan. Utifrån säkerheten är kontroll viktigare än höjd.
- För att behålla kontrollen medan du hoppar, se till att din hållning är rak, att huvudet hålls upprätt och att ögonen är riktade på studsmattan.
- Kontrollera fjädrarnas tillstånd (avbrutna eller överdrivet sträckta) och deras fäste i ramen och hoppduken. Fjädrarna och fjäderupphängningen är utsatta för slitage. Ersätt utslitna delar när det behövs.

4.2 Grundläggande hopp

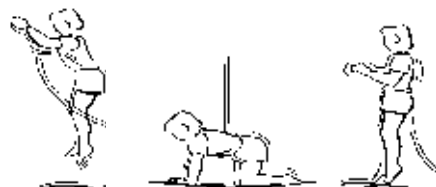
Grundhopp

Stå rakt, med huvudet i en rak position. Håll ögonen fokuserade på mattan. Medan du hoppar uppåt, svinga armarna framåt och i en cirkelrörelse och peka nedåt med tårna. Håll ihop fötterna, med tårna pekande nedåt, när du kommer tillbaka mot studs mattan. När du landar på mattan, håll dina fötter isär med ungefär 40 cm.



Hand- och knähopp

Börja med ett grundhopp. Håll ögonen fokuserade på mattan. Svinga armarna framåt och i en cirkelrörelse. Landa på händerna och knäna. Stöt ifrån med händerna och återgå till en stående position.



Sittstuds

Börja med ett grundhopp. Håll ögonen fokuserade på mattan. Landa i en sittande position. Placera händerna bredvid höfterna på mattan medan du sitter. Stöt ifrån med händerna och återgå till en stående position.



Maghopp

Gör ett grundhopp och landa på mage. Håll huvudet rakt. Håll armarna utsträckta framåt på mattan. Stöt ifrån med händerna och återgå till en stående position.



Rygghopp

Gör ett grundhopp och landa på rygg. Håll hakan tryckt mot ditt bröst medan du landar. Sparka framåt och uppåt med benen när du återgår till en stående position.



5. Montering och underhållsinstruktioner

5.1 Montering & nedmontering

Allmän montering och nedmontering:

- Montera inte studs mattan vid hård vind, utan vänta tills vinden lagt sig.
- Det rekommenderas att man bär handskar vid monteringen av produkten.
- Se till att BERG-studs mattan står plant. Använd ett vattenpass.
- Studsmattan kan ha fästansordningar och beslag med självlåsand muttrar. Dessa självlåsand muttrar är endast till för användning en gång. Vid nedmontering och ommontering måste de självlåsand muttrarna ersättas.
- För ytterligare instruktioner för montering av produkten, se sidan 3 och framåt.
- Installera tillbehör enligt installationsmanualen/vägledningen.
- Om studsmattan skulle behöva flyttas till en annan plats (kort avstånd), ta först isär ankarfästena (om sådana finnes) innan flytt. Det rekommenderas att studsmattan lyfts i den övre ramen av minst 4 vuxna.
- Om studsmattan ska flyttas längre bort ska den tas isär. Lägg delarna i originalförpackningen och montera studsmattan igen på den nya platsen enligt monterings- och installationsanvisningarna.



*Montering och nedmontering av **InGround**:*

- Plats: Hitta en lämplig plats för installation av studs mattan. Säkerställa att det inte finns några hinder runt omkring. Kontrollera markens förhållanden och egenskaper för att bestämma placeringen.
- När du gräver gropen bör jorden vara fast för att undvika att den faller samman på grund av erosion. Om det är nödvändigt, förstärk gropens sidor eller jämna ut dem för att förebygga detta.
- Om marken är för hård att gräva i är det bättre att välja en annan plats, eller att ta kontakt med en specialist på grävningsarbete.
- Den grävda gropen bör inte innehålla vatten. Kontrollera att en hög grundvattennivå inte bidrar till en ansamling av vatten i gropen.
- Kontrollera också att det finns tillräcklig avrinning av regnvatten.

*Montering och nedmontering av **FlatGround**:*

- Plats: Hitta en lämplig plats för installation av studs mattan. Säkerställa att det inte finns några hinder runt omkring. Kontrollera markens förhållanden och egenskaper för att bestämma placeringen.
- När du gräver gropen bör jorden vara fast för att undvika att den faller samman på grund av erosion. Om det är nödvändigt, förstärk gropens sidor eller jämna ut dem för att förebygga detta.
- Om marken är för hård att gräva i är det bättre att välja en annan plats, eller att ta kontakt med en specialist på grävningsarbete.
- Den grävda gropen bör inte innehålla vatten. Kontrollera att en hög grundvattennivå inte bidrar till en ansamling av vatten i gropen.
- Kontrollera också att det finns tillräcklig avrinning av regnvatten.

5.2 Underhållsinstruktioner

Instruktioner för allmänt underhåll:

- Inspektera BERG-studs mattan före varje användning enligt monteringsinstruktionerna och ersätt trasiga, slitna eller försvunna delar. Att inte följa dessa instruktioner och att försumma underhåll kan leda till farliga situationer och onödiga risker för användaren. För beställning av originaldelar eller tillbehör till BERG-studs mattan, kontakta våra BERG-auktoriserade återförsäljare eller gå till www.bergtoys.com.
- Kontrollera ramdelarnas tillstånd (trasiga svetsfogar, böjd ram eller skarpa eller utstickande delar) och ersätt dessa vid behov.
- Kontrollera fjädrarnas tillstånd (avbrutna eller överdrivet sträckta) och deras fäste i ramen och hoppduken. Fjädrarna och fjäderupphängningen är utsatta för slitage. Ersätt utslitna delar när det behövs.
- Kontrollera att bultarna sitter åt, och skruva åt dem där det behövs. Kontrollera tryckstiftens anslutningar för att se till de inte kommer att lossna när man hoppar.
- Kontrollera hoppdukens tillstånd (skador, inkorrekt spänning, sömmar som gått upp eller en släppt hängande hoppduk). Hoppduken slits av användning och av att bli utsatt för solljus (UV-strålning). Byt ut hoppduken i god tid när dess tillstånd försämras.
- Kontrollera kantskyddets tillstånd och dess fäste i ramen. Byt ut kantskyddet om det är trasigt.
- Det är förbjudet att använda gödselprodukter (konstgödsel, gödselkorn etc.) inom ett område på två meter runt BERG-studs mattan. Den sortens produkter kan vara skadliga för de material som studs mattan är gjord av.
- Hoppduken och kantskyddet kan rengöras med en trasa och kallt eller ljummet vatten. Använd ALDRIG lösningsmedel, diskmedel, tvättmedel eller hett vatten.
- Reparationer måste utföras av yrkesmän. Rådfråga din BERG-återförsäljare.

*Underhållsinstruktioner **Regular**:*

- Vid kraftig vind och vindstötter kan studs mattan förflytta sig. Vi rekommenderar dig att förankra studs mattan med krampor eller sandsäckar, eller att demontera produkten när sådana vindförhållanden väntas.
- I vissa länder kan snö och mycket låga temperaturer skada studs mattan på vintern. BERG rekommenderar att man förvarar hoppduken och skyddsnetet inomhus under dessa klimatförhållanden.
- Försäkra dig om en trygg och säker miljö när studs mattan inte används. Skydda den mot obehörig användning. Om en stege används till studs mattan, ta undan den när studs mattan är obebod. Detta för att se till att barn inte använder studs mattan utan tillsyn.
- Om studs mattan inte används under korta perioder, för att skydda mot väder och skräp som löv och nedfallna kvistar, rekommenderar vi att du använder ett skyddshölje från BERG. När studs mattan inte används under längre perioder (till exempel på vintern) rekommenderar BERG att du förvarar studs mattan, och framför allt den skyddande vadden, på en torr plats för att den ska hålla längre.

Underhållsinstruktioner InGround:

- Efter en regnig period och innan användning, inspektera studs mattans grop. Kontrollera att det finns tillräcklig avrinning för att forsla bort regnvatten.
- Som det visas i installationsmanualen, använd det bifogade måttbandet (finns i förpackningen) för att mäta upp korrekt diameter, djup och form på gropen som ska grävas. Försäkra dig om att gropen grävs enligt specifikationerna och att väggarna inte görs för branta. Att avvika från specifikationerna kan leda till oönskad väggkollaps och ostadighet i studs mattan.
- Studs mattans ben stöder studs mattans ram. Försäkra dig om att benen är positionerade jämnt i höjd och att de vilar stabilt på marken. Gör fast benen med de medföljande pålarna.
- Inspektera gropen under studs mattan regelbundet, (minst en gång per år) och vidta korrigeringsåtgärder vid behov. Kontrollera, enligt monteringsinstruktionerna, att gropen har rätt djup och rätt form, om ramen är stabil och om studs mattan fortfarande står helt plant. Kontrollera om det ligger föremål i gropen och avlägsna dem i sådana fall.
- I vissa länder kan snö och mycket låga temperaturer skada studs mattan på vintern. BERG rekommenderar dig att regelbundet ta bort snön från studs mattan.
- Om studs mattan inte används under korta perioder, kan den täckas över med ett skyddshölje från BERG, som håller den fri från till exempel blad och kvistar. När studs mattan inte används under längre perioder (till exempel på vintern) rekommenderar BERG att kantskyddet förvaras på en torr plats för att det ska hålla längre.

Underhållsinstruktioner FlatGround:

- Efter en regnig period och innan användning, inspektera studs mattans grop. Kontrollera att det finns tillräcklig avrinning för att forsla bort regnvatten.
- Som det visas i installationsmanualen, använd det bifogade måttbandet (finns i förpackningen) för att mäta upp korrekt diameter, djup och form på gropen som ska grävas.
- Inspektera gropen under studs mattan regelbundet, (minst en gång per år) och vidta korrigeringsåtgärder vid behov. Kontrollera, enligt monteringsinstruktionerna, att gropen har rätt djup och rätt form, om ramen är stabil och om studs mattan fortfarande står helt plant. Kontrollera om det ligger föremål i gropen och avlägsna dem i sådana fall.



6. Garanti

6.1 Garantiperiod

Studsmattor från BERG är av mycket hög kvalitet. För att ge dig år med bekymmersfritt nöje på våra studsmattor erbjuder BERG en funktionsgaranti. Det är en utfästelse om studsmattans funktionalitet. Var god se tabellen nedan för denna garantis villkor (år).

Ram	10
Ram (efter produktregistrering)	13 (10+3)
Kantskydd (Elite)	5
Kantskydd (Champion)	2
Hoppduken	2
Fjädrarnas	5
Skyddsnät	2

Med undantag av 1-årsgarantin på BERGs skyddshölje basic, har BERGs skyddsnät och tillbehör en garantiperiod på 2 år. Delar som är mottagliga för slitage (till exempel resårband), väder (till exempel rost och missfärgning) och skummet i rören för BERGs skyddsnät utesluts från garantin.

6.2 Garantins villkor

Produktens ägare kan endast göra anspråk på garantin genom att visa originalkvittot från köpet. Garantin gäller endast för material- och fabrikationsfel relaterade till BERG-produkten och relaterade delar.

Garantin blir ogiltig om:

- Produkten används oriktigt och/eller försumligt.
- Produkten inte monteras och underhålls i enlighet med instruktionsmanualen.
- Tekniska reparationer av produkten inte görs på ett professionellt vis.
- Reservdelar inte motsvarar de tekniska specifikationerna av produkten ifråga eller är inkorrekt installerade.
- Skada är orsakad av påverkan från väder, så som rost, UV-strålning eller vanligt väderslitage.
- Om BERG-studsmattan är inkorrekt nedgrävd.
- Produkten hyrs ut eller görs tillgänglig för användning av tredje part.
- Under garantiperioden kommer alla fastställda fel på material eller konstruktion att repareras eller ersättas av BERG. Reparationer utan kostnad är tillgängliga under förutsättning att produkten fortfarande befinner sig i sin garantiperiod enligt artikel 10.1.
- BERG-garantin kan endast gälla om det ursprungliga kvittot på köpet visas för den BERG-auktoriserade återförsäljaren. Om ägaren har flyttat eller BERG-återförsäljaren inte längre är verksam kan BERG rekommenderade en alternativ BERG-återförsäljare.
- Om garantibegäran inte godkänns måste alla kostnader som uppstått betalas av ägaren.
- Denna garanti kan inte föras över till tredje part.

BERG



PRODUCT REGISTRATION

Vill du ha extra gratis garanti?*

Glöm då inte att direkt efter köpet registrera din produkt online via **www.bergtoys.com/se/registration**.

Denna produktregistrering berättigar dig till 3 års förlängd garanti på ramen till din gokart eller studsatta. Den utökade garantin är ett tillägg till den vanliga garantin på ramen som du får.

*Se alla villkor på www.bergtoys.com/se/registration



www.bergtoys.com/se/registration



Indholdsfortegnelse

1. Introduktion
2. Advarsler
3. Oplysninger
4. Hoppeinstruktioner
 - 4.1 Hoppeinstruktioner
 - 4.2 Grundlæggende hop
5. Montering og vedligeholdelsesinstruktioner
 - 5.1 Montering og demontering
 - 5.2 Vedligeholdelsesinstruktioner
6. Garanti
 - 6.1 Garantiperiode
 - 6.2 Garantibetingelser

Denne trampolin er velegnet til privat brug. Find oplysninger om, hvilke trampoliner der er egnede til allemandsbrug (fx til brug på campingpladser, ferieresorter, restauranter osv.), på www.bergtoys.com.

1. Introduktion

Tak fordi du valgte at købe en trampolin fra BERG. Vi er sikre på du vil få mange års gavnlig brug og glæde ved at hoppe. Brug af trampolinen fremmer aktiv og sund leg. Det har en positiv effekt på stress, fysisk tilstand og blodomløb. Hop på trampolin er både for unge og barnlige sjæle! Denne vejledning giver tips om montering, sikker brug og hoppeinstruktioner til mange års problemfri brug. Det er ikke farligt at hoppe på en trampolin, så længe man følger sikkerhedsinstruktionerne. BERG ønsker dig en sjov og aktiv hoppeoplevelse!

Advarsel! Denne vejledning er velegnet til flere typer af trampoliner. Når du læser vejledningen, skal du være opmærksom på, hvilke oplysninger der gælder for din trampolin.

2. Advarsler

Generelle advarsler:

- Den maksimale brugervægt er:

Ø270	Ø330	Ø380	Ø430
70kg	100kg	110kg	120kg

- Ikke egnet til børn under 36 måneder. Fare for at falde.
- Ikke egnet til børn under 36 måneder. Kvælningsfare. Små dele.
- Trampolinen skal samles af en voksen i overensstemmelse med samlevejledningen og derefter kontrolleres før første brug.
- BERG-trampolinen er kun til udendørs brug.
- Læs instruktionerne omhyggeligt og opbevar dem til fremtidig reference.
- Kun én bruger. Fare for sammenstød. Brug af flere personer kan medføre alvorlig skade.
- Hop uden sko.
- Anvend ikke dugen, når den er våd.
- Tøm lommerne, før der hoppes, og undgå at have noget i hænderne.
- Hop altid midt på dugen.
- Spis og hop ikke samtidig.
- Forlad ikke trampolinen med et hop.
- Begræns tiden for brug (hold regelmæssige pauser).
- Fastgør trampolinen, og anvend den ikke i stærk vind.
- Ingen saltomortaler. Landing på hoved eller hals kan forårsage alvorlig skade, selv når du lander midt på trampolindugen.
- Voksens opsyn påkrævet.
- Det er forbudt at bruge BERG-trampoliner under påvirkning af alkohol eller andre rusmidler.
- Polstringen kan blive meget varm i direkte sollys, så vær forsigtig.
- Hold ild og andre varmekilder væk fra trampolinen.
- Ting og andre forhindringer, der kan forstyrre hopperiet bør forbydes i hoppeområdet.
- Der må ikke befinde sig nogen genstande, dyr eller personer under BERG-trampolinen.
- Hop altid midt på dugen. Undgå at hoppe i kanten af dugen og på trampolinen polstring.
- Det frarådes at lave bevægelser, som kan forårsage betydelig friktion, f.eks. "glidning" hen over påtrykket på springmatten eller polstringen. Kraftig friktion ved glidning hen over påtrykket på springmatten eller polstringen kan resultere i at blæk afgives til huden eller tøjet. Det kan være vanskeligt at fjerne blækket fra tøj. Blækket opfylder strenge krav, der stilles til brug af kemikalier på legetøj; derfor er der ingen skadelige effekter på menneskers sundhed ved hudkontakt med eller indtagelse af blækket.

Advarsler for **Regular**:

- Trampolinen fra BERG anbefales ikke til brug af børn under 6 år.
- Denne trampolin er ikke beregnet til at blive begravet i jorden.
- Det er forbudt at placere BERG-trampolinen på beton, asfalt eller en anden hård overflade eller i nærheden af andre legeredskaber (bassiner, gynger, rutchebaner eller nogen andre legeredskaber).

Advarsler for **InGround**:

- BERG trampolinen anbefales ikke til børn under 6 år, hvis trampolinen bruges med sikkerhedsnet.
- BERG trampolinen anbefales ikke til børn under 14 år, hvis trampolinen bruges uden sikkerhedsnet.
- Inden trampolinen kan samles, skal der graves hul i jorden. Hvis du er usikker om udførelsen af jordarbejde, anbefales det at kontakte en fagkyndig.
- Genstande, dyr og personer er forbudt under BERG trampolinen. Hvis du løsner beskyttelseskanten, skal du kontrollere, at der ikke ligger noget under trampolinen, når beskyttelseskanten fastgøres igen.
- Det er forbudt at placere BERG-trampolinen på beton, asfalt eller en anden hård overflade eller i nærheden af andre legeredskaber (bassiner, gynger, rutchebaner eller nogen andre legeredskaber).



Advarsler for **FlatGround**:

- BERG trampolinen anbefales ikke til børn under 6 år, hvis trampolinen bruges med sikkerhedsnet.
- BERG trampolinen anbefales ikke til børn under 14 år, hvis trampolinen bruges uden sikkerhedsnet.
- Inden trampolinen kan samles, skal der graves hul i jorden. Hvis du er usikker om udførelsen af jordarbejde, anbefales det at kontakte en fagkyndig.
- Genstande, dyr og personer er forbudt under BERG trampolinen. Hvis du løsner beskyttelseskanterne, skal du kontrollere, at der ikke ligger noget under trampolinen, når beskyttelseskanterne fastgøres igen.

Advarsler for **sikkerhedsnet**:

- Sørg for, at adgangen til sikkerhedsnettet er helt lukket, før du bruger BERG-trampolin.
- Det er forbudt at hoppe over sikkerhedsnettet.
- Det er forbudt at kravle mellem trampolins polstring og undersiden af sikkerhedsnettet.
- Sikkerhedsnettet er beregnet til at gøre trampolinspring sikrere; lad være med at springe i sikkerhedsnettet med vilje, og undlad at hænge eller klatre i sikkerhedsnettet.
- Sørg for, at brugerens beklædning ikke indeholder kroge, sløjfer, snører eller andre løse dele, som eventuelt kan sidde fast i sikkerhedsnettet.
- Det er forbudt at sætte tilbehør eller reservedele på BERG-sikkerhedsnettet, der ikke er BERG-kompatible eller er originale BERG-reservedele.
- Det er forbudt at klatre i sikkerhedsnettets stolper.
- Sikkerhedsnettets indgang er det eneste indgangs- eller udgangspunkt til BERG-trampolinen.
- Hold ild væk fra sikkerhedsnettet.
- Nettet bør udskiftes hvert 5 år (eller før ved tab af funktionalitet).
- Vi anbefaler at demontere sikkerhedsnettet ved hård vind og vindstød forud for disse vejrforhold.

3. Oplysninger

- BERG-produktet skal bruges, som beskrevet i vejledningen. Brug, der afviger fra vejledningen, kan potentielt føre til alvorlige personskader eller beskadigelse af produktet. Læs hele vejledningen før brug af trampolinen. For at sikre sikker og komfortabel brug af BERG-trampolinen, er der inkluderet advarsler og anvisninger mht. pleje og vedligeholdelse.
- Sørg for en minimums-afstand på mindst 2 meter til træer, hegn og andre omkringliggende forhindringer.
- Det er påkrævet at have en minimums-frihøjde opadtil på 7 meter, målt fra underlaget som trampolinen står på.
- Af sikkerhedsmæssige årsager, medmindre BERG har godkendt dette, er det forbudt at ændre eller modificere trampolinen.

4. Hoppeinstruktioner

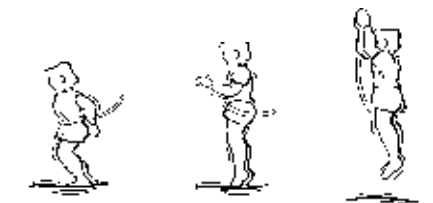
4.1 Hoppeinstruktioner

- Når du bruger BERG-trampolinen er det et krav, at du har den rigtige kropsholdning. Den rigtige kropsholdning og ligevægten opnås ved at spænde de rigtige muskler, og dette gør det muligt at springe sikkert i trampolin.
- God kropsholdning sikrer sikker brug af BERG-trampolinen. Når man hopper, udsættes kroppen for stød, der kræver korrekt stødabsorption. Ved at spænde musklerne, opnår du bedre kontrol over balancen hvilket giver bedre udholdenhed mens du hopper. Omvendt fører en mere afslappet kropsholdning til tab af energi og udholdenhed mens du hopper. Begynd med de grundlæggende hop og hoppepositioner og øg først sværhedsgraden, når du har styr på disse. For at stoppe, mens du hopper, skal du bøje knæene når dine fødder rører dugen.
- For at stoppe, mens du hopper, skal du bøje knæene når dine fødder rører dugen. Lær at gøre dette, før du prøver flere og andre teknikker.
- Lær de grundlæggende hop og kropsholdninger grundigt, før du prøver mere avancerede teknikker. Nogle hoppeteknikker kan udføres hver for sig eller i serier og/eller kombination med flere hop.
- Undgå hoppe for højt. Opnå først kontrol over dine hop med en korrekt landingsposition midt på dugen. Ud fra et sikkerhedsmæssigt perspektiv er kontrol vigtigere end højde.
- For at sikre og fastholde kontrollen mens du hopper, skal din kropsholdning være lige, hovedet skal være i oprejst position og øjnene være fokuseret på springdugen.
- Kontrollér fjedrenes stand (knækket eller overdreven strækning) og fjedrenes fastgørelse til rammen og springmåttens. Fjedrene og deres ophæng er udsatte for slitage; derfor skal slidte dele udskiftes i god tid.

4.2 Grundlæggende hop

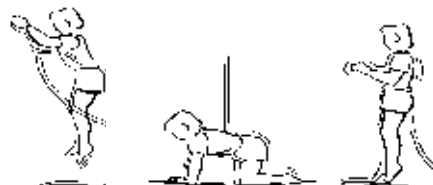
Grundlæggende hop

Indtag opretstående stilling med hovedet i oprejt position. Fokuser blikket på springdugen. Når du hopper opad, svinger du armene fremad i en cirkulær bevægelse og peger tæerne nedad. Hold fødderne tæt sammen med tæerne pegene nedad, når du vender tilbage til springdugen. Når du lander på springdugen, skal du holde dine fødder ca. 40 cm fra hinanden.



Hop på hænder og knæ

Begynd med grundlæggende hop. Fokuser blikket på springdugen. Sving armene fremad i en cirkulær bevægelse. Land på hænder og knæ. Skub fra med hænderne og vend tilbage til opretstående stilling.



Hop på bagdelen

Begynd med grundlæggende hop. Fokuser blikket på springdugen. Land i siddende stilling. Placer hænderne ved siden af hoften på springdugen, når du er i siddende stilling. Skub fra med hænderne og vend tilbage til opretstående stilling.



Mavehop

Begynd med grundlæggende hop og land på maven. Hold hovedet lige. Hold armene strakte og pegende fremad på springdugen. Skub fra med hænderne og vend tilbage til opretstående stilling.



Hop på ryggen

Begynd med grundlæggende hop og land på ryggen. Hold hagen presset ned mod brystet under landingen. Spark fremad og opad med benene, når du vender tilbage til stående stilling.



5. Montering og vedligeholdelsesinstruktioner

5.1 Montering og demontering

Generelt for montering og demontering

- Montér ikke trampolinen i hård vind; vent til vinden er aftaget.
- Vi anbefaler at bruge arbejdshandsker ved montering af produkterne.
- Sørg for, at BERG trampolinen er opstillet i vater. Brug et vaterpas til dette formål.
- Trampolinen kan have fastgørelsesmateriale med selvåsende møtrikker. Selvåsende møtrikker er kun beregnet til engangsbrug. Ved demontering og genmontering skal de selvåsende møtrikker udskiftes.
- Se side 3 for monteringsinstruktionerne for produktet.
- Installer tilbehør iht. installationsvejledningen/guiden.
- Hvis trampolinen skal flyttes til en anden placering (kort afstand), skal ankrene fjernes (hvis disse er monteret) før trampolinen flyttes. Det anbefales, at trampolinen løftes i de øverste rør af mindst 4 voksne.
- Trampolinen bør skilles ad, inden den flyttes over længere afstande. Læg delene i den originale emballage og saml trampolinen på den nye placering i overensstemmelse med montagevejledning.



Montering og demontering for **InGround**:

- Beliggenhed: Find den optimale placering til trampolinen: Placer trampolinen tilstrækkelig langt fra forhindringer og kontroller jordbundsforholdene.
- Når hullet graves, bør jorden være fast at undgå den falder sammen på grund af erosion. Forstærk om nødvendigt hullets sider, eller glat dem for at forhindre dette.
- Hvis jorden er for hård til at grave hul, er det bedre at vælge et andet sted, eller kontakt en fagkyndig inden for udførelse af jordarbejde.
- De udgravede hul må ikke indeholde vand. Tjek området, så du kan undgå at et højt grundvandsniveau fylder hullet med vand.
- Tjek også, om der er passende afløb til bortskaffelse af regnvand.

Montering og demontering for **FlatGround**:

- Beliggenhed: Find den optimale placering til trampolinen: Placer trampolinen tilstrækkelig langt fra forhindringer og kontroller jordbundsforholdene.
- Når hullet graves, bør jorden være fast at undgå den falder sammen på grund af erosion. Forstærk om nødvendigt hullets sider, eller glat dem for at forhindre dette.
- Hvis jorden er for hård til at grave hul, er det bedre at vælge et andet sted, eller kontakt en fagkyndig inden for udførelse af jordarbejde.
- De udgravede hul må ikke indeholde vand. Tjek området, så du kan undgå at et højt grundvandsniveau fylder hullet med vand.
- Tjek også, om der er passende afløb til bortskaffelse af regnvand.

5.2 Vedligeholdelsesinstruktioner

Generelle anvisninger for vedligeholdelse:

- Inspicér altid BERG trampolinen før hver brug ved hjælp af montagevejledningen, og udskift defekte, slidte eller manglende dele. Tilsidesættelse af disse instruktioner og manglende vedligeholdelse kan medføre farlige situationer og unødige risici for brugeren. For bestilling af originaldele og tilbehør til BERG trampolinen, henvises der til din forhandler eller www.bergtoys.com.
- Kontrollér rammedelenes stand (knækkede svejsninger, bøjet ramme eller skarpe dele eller dele, der stikker frem), og udskift disse, hvis det er nødvendigt.
- Kontrollér fjedrenes stand (knækket eller overdreven strækning) og fjedrenes fastgørelse til rammen og springmåtten. Fjedrene og deres ophæng er udsatte for slitage; derfor skal slidte dele udskiftes i god tid.
- Kontrollér, om boltsamlingerne er forsvarligt fastspændte, og efterspænd dem om nødvendigt. Kontrollér, om samlingerne (trykstifter) er sikrede, og kontrollér, at disse ikke kan løsne sig, når man springer på trampolinen.
- Kontrollér springmåttenes stand (beskadigelser, forkert spænding, syninger der har løsnet sig eller om springmåtten har sænket sig). Springmåtten er udsat for slitage på grund af brug og udsættelse for sollys (uv-stråling). Udskift springmåtten i god tid, hvis dens stand forværres.
- Kontrollér beskyttelseskantens stand og fastgørelsen af beskyttelseskanten til rammen. Udskift beskyttelseskanten, hvis den er defekt.
- Brug af gødningsstoffer (kunstgødning, gødningskorn osv.) er ikke tilladt i en radius af 2 meter rundt om BERG trampolinen. Brug af sådanne produkter kan være skadelig for trampolinenes materialer.
- Springmåtten og kantpuden på rammen kan rengøres med en klud og koldt eller lunkent vand. Brug aldrig opløsningsmidler, opvaskemiddel, sæbepulver eller varmt vand.
- Reparationer skal udføres af en fagmand. Kontakt din BERG-forhandler.

Anvisninger for vedligeholdelse for **Regular**:

- Trampolinen kan blive flyttet af hård vind og vindstød. Vi anbefaler at forankre trampolinen ved hjælp af ankre eller sandsække eller at demontere springmåtten forud for disse vejrforhold.
- I nogle lande kan sneens vægt og lave temperaturer beskadige trampolinen om vinteren. BERG anbefaler at opbevare springmåtten og sikkerhedsnettet indendørs om vinteren.
- Sørg for at området er sikkert og beskyttet, når trampolinen ikke er i brug. Beskyt det mod uautoriseret brug. Hvis der benyttes en trampolinstige, skal denne fjernes når trampolinen efterlades uden opsyn. Dette for at sikre, at børn ikke bruger trampolinen uden opsyn.
- Hvis trampolinen ikke anvendes i kortere perioder og for at undgå at den beskadiges af eller fyldes med nedfaldne blade og kviste, anbefaler BERG brugen af et BERG Weather Cover (vejr-dække). Hvis trampolinen ikke bruges i en længere periode (f.eks. i løbet af vinteren) anbefaler BERG, at opbevare trampolinen, især den beskyttende polstring, på et tørt sted, for at forlænge produktets levetid.

Anvisninger for vedligeholdelse for *InGround*:

- Tjek trampolinens hul efter en regnfuld periode og før brug. Sørg for, at der er passende afløb til bortskafning af regnvand.
- Som vist på diagrammet i installationsvejledningen, skal du bruge det medfølgende målebånd (findes i emballagen) til at måle og bestemme den korrekte diameter, dybde og form på det udgravede hul. Sørg for hullet graves ud iht. specifikationerne og at væggene ikke gøres alt for stejle. Hvis hul-specifikationerne ikke følges, kan dette resultere i at væggene styrter sammen og at trampolinens bliver ustabil.
- Benene på trampolinens bærer trampolinens ramme. Sørg for at benenes position er ens i højden og står godt fast på jorden. Foranker benene med de medfølgende jordspyd.
- Inspicér hullet under trampolinens med jævne mellemrum (mindst én gang om året), og træf om nødvendigt forholdsregler for at afhjælpe eventuelle fejl/mangler. Som nævnt i monteringsinstruktionerne skal hullet kontrolleres for korrekt dybde, den rigtige form; desuden skal rammen kontrolleres for stabilitet og om trampolinens stadig er opstillet i vater. Kontrollér hullet for eventuel tilstedeværelse af genstande, og fjern disse, hvis det er nødvendigt.
- I nogle lande kan sneens vægt og lave temperaturer beskadige trampolinens om vinteren. BERG anbefaler regelmæssig at fjerne sne, der ligger på trampolinens.
- Når trampolinens ikke skal bruges i korte perioder, kan den tildækkes med en BERG presenning, som holder trampolinens fri for f.eks. blade og grene. Når trampolinens ikke skal bruges i en længere periode (f.eks. om vinteren), anbefaler vi at opbevare beskyttelseskanten på et tørt sted. Dette øger produktets holdbarhed.

Anvisninger for vedligeholdelse for *FlatGround*:

- Tjek trampolinens hul efter en regnfuld periode og før brug. Sørg for, at der er passende afløb til bortskafning af regnvand.
- Som vist på diagrammet i installationsvejledningen, skal du bruge det medfølgende målebånd (findes i emballagen) til at måle og bestemme den korrekte diameter, dybde og form på det udgravede hul.
- Inspicér hullet under trampolinens med jævne mellemrum (mindst én gang om året), og træf om nødvendigt forholdsregler for at afhjælpe eventuelle fejl/mangler. Som nævnt i monteringsinstruktionerne skal hullet kontrolleres for korrekt dybde, den rigtige form; desuden skal rammen kontrolleres for stabilitet og om trampolinens stadig er opstillet i vater. Kontrollér hullet for eventuel tilstedeværelse af genstande, og fjern disse, hvis det er nødvendigt.



6. Garanti

6.1 Garantiperiode

BERGs trampoliner er udført i en fremragende kvalitet. For at sikre dig mange års sjov og glæde på vores trampoliner, giver BERG dig en funktionalitetsgaranti. En funktionalitetsgaranti er en garanti, der dækker dens funktionelle brug. Se nedenstående tabel over garantiens varighed (år).

Ramme	10
Ramme (efter registrering produkt)	13 (10+3)
Polstring (Elite)	5
Polstring (Champion)	2
Springdugen	2
Fjedrenes	5
Sikkerhedsnet	2

Med undtagelse af den 1-års garanti for BERGs Weather Cover (Vejrdække), er BERGs sikkerhedsnet og tilbehør omfattet af en garantiperiode på 2 år. Dele, der er modtagelige for slitage (f.eks. elastikker), vejrets påvirkning (f.eks. rust og misfarvning) og skummet på rørene i BERGs sikkerhedsnet, er ikke omfattet af garantien.

6.2 Garantibetingelser

Ejeren af produktet kan kun kræve garantidækning ved at fremvise den originale kvittering for købet. Garantien dækker kun materiale- og fabrikationsfejl relateret til BERG-produktet og dets relaterede dele.

Garantien annulleres og bliver ugyldig, hvis:

- Produktet bruges forkert og/eller uagtsomt.
- Produktet ikke er samlet og vedligeholdt i overensstemmelse med brugsanvisningen.
- Tekniske reparationer på produktet ikke er udført på en professionel måde.
- Reservedele er installeret forkert eller ikke svarer til de tekniske specifikationer for det pågældende produkt.
- Skader forårsaget af påvirkninger fra vejret som rust, UV-stråler eller normal slitage.
- Forkert nedgravning af BERG-trampolinen.
- Produktet anvendes til udlejning eller stilles til rådighed for brug af en tredjepart.
- Under garantiperioden vil alle materialer og konstruktionsrelaterede fejl blive repareret eller erstattet af BERG. Reparationer udføres og håndteres uden omkostninger, såfremt produktet stadig er inden for garantiperioden, som anført i artikel 10.1.
- BERGs garanti kan kun indfries, hvis det originale købsbevis vises til en autoriseret BERG-forhandler. Hvis ejeren er flyttet eller BERG-forhandleren er lukket, kan BERG anbefale en alternativ BERG-forhandler.
- Hvis garantikravet ikke er opfyldt, skal alle udgifter betales af ejeren.
- Denne garanti kan ikke overdrages til tredjemand.

BERG



PRODUCT REGISTRATION

Er du interesseret i en gratis supplerende garanti?*

Glem ikke at registrere dit produkt online med det samme!
Gå til www.bergtoys.com/dk/registration.

Denne produktregistrering giver dig ret til tre års udvidet garanti på rammen på din go-kart eller trampolin. Denne udvidede garanti er et supplement til standardgarantien på den ramme, du modtager.

*For at se betingelserne, så besøg www.bergtoys.com/dk/registration



www.bergtoys.com/dk/registration



Indeks

1. Introduksjon
2. Advarsler
3. Informasjon
4. Hoppe-instruksjoner
 - 4.1 Hoppe-instruksjoner
 - 4.2 Grunnleggende hopp
5. Montering og vedlikeholdsinstruksjoner
 - 5.1 Montering og demontering
 - 5.2 Vedlikeholdsinstruksjoner
6. Garanti
 - 6.1 Garantiperiode
 - 6.2 Garantivilkår

Denne trampolinen passer til husholdningsbruk. Informasjon om hvilken trampoline som passer til offentlig bruk (som på campingplasser, i ferieparker, restauranter, osv) finnes på www.bergtoys.com.

1. Introduksjon

Takk for at du valgte BERG som ditt trampolinevalg. Vi er sikre på at du får mange år med gunstig bruk og hoppeglede. Trampolinebruk oppmuntrer til aktiv og sunn lek. Det har en positiv innvirkning på stress, fysisk tilstand og blodsirkulasjon. Trampolinehopping er for de unge og de som føler seg unge! Denne håndboken har tips om montering, sikker bruk og hoppeinstruksjoner for mange års problemfritt bruk. Det er ikke farlig å hoppe på en trampoline så lenge du følger sikkerhetsinstruksjonene. BERG ønsker deg en artig og aktiv hoppeopplevelse!

Bemerk! Denne håndboken passer til mange trampolinetyper. Når du leser håndboken, vær oppmerksom på hvilken informasjon som gjelder din trampoline.

2. Advarsler

Generelle advarsler:

- Den maksimale brukervekten er:

Ø270	Ø330	Ø380	Ø430
70kg	100kg	110kg	120kg

- Passer ikke for barn under 36 måneder. Fallfare.
- Passer ikke for barn under 36 måneder. Kvelningsfare, små deler.
- Trampolinen må monteres i henhold til monteringsinstruksjonene. Gjennomgå den monterte trampolinen før første gangs bruk.
- BERG Trampoline er kun til utendørs bruk.
- Les instruksjonene nøye og sørg for at du tar vare på brukerveiledningen.
- Bare en av gangen. Kollisjonsfare. Bruk av flere personer kan forårsake seriøse skader.
- Hopp uten sko
- Ikke bruk hoppematten når den er våt.
- Tøm lommene og sørg for at du ikke har noe i hendene før du hopper.
- Hopp alltid i midten av hoppematten.
- Ikke spis mens du hopper.
- Ikke gå med et hopp.
- Begrens tiden du kontinuerlig bruker den (stopp jevnlig opp).
- Ikke bruk under sterke vindforhold og fest trampolinen.
- Ikke ta salto. Landing på hode eller nakke kan forårsake alvorlig skade, selv når du lander midt på hoppematten.
- Oppsyn av voksen kreves.
- Bruk av BERG-trampoline etter at man har drukket eller brukt narkotika er forbudt.
- Polstringen kan bli veldig varm i direkte sollys - vær forsiktig.
- Hold flammer og andre varmekilder borte fra trampolinen.
- Gjenstander og andre hindringer som kan forstyrre hoppingen skal være forbudt fra hoppeområdet.
- Gjenstander, dyr eller personer er forbudt under BERG-trampolinen.
- Hopp alltid i midten av matten. Unngå å hoppe på mattekanten og trampolinepolstringen.
- Bevegelser som forårsaker betydelig friksjon (for eksempel "glidende" bevegelser) på skriften på hoppematten eller polstringen anbefales ikke. Kraftig friksjon når du glir over skriften på hoppematten eller polstringen, kan føre til at blekket gnis av på hud eller klær. Det kan være vanskelig å fjerne blekket fra klær. Blekket oppfyller de strenge kjemiske kravene for lekeprodukter, og kontakt med huden eller inntak av dette blekket har derfor ingen skadelige effekter på menneskers helse.

Regular advarsler:

- BERG-trampoline anbefales ikke for bruk av barn under 6 år.
- Denne trampolinen er ikke ment å bli gravd i bakken og brukt som en konfigurasjon i bakken.
- Det er forbudt å installere BERG-trampolinen på betong, asfalt eller annen hard overflate eller i nærheten av andre lekeplassinstallasjoner (bassenger, husker, sklier eller andre lekestrukturer).

InGround advarsler:

- Når det brukes sammen med et sikkerhetsnett, anbefales ikke BERG-trampoliner for barn under 6 år.
- Når det brukes uten et sikkerhetsnett, anbefales ikke BERG-trampoliner for barn under 14 år.
- Det må graves et hull i bakken for å installere trampolinen. Hvis du ikke er sikker på grunnarbeide, kontakt profesjonelle.
- Gjenstander, dyr og mennesker er ikke tillatt under BERG Trampoline. Hvis du fjerner beskyttelseskanten, må du kontrollere at ingenting ligger under trampolinen før du setter den på igjen.
- Det er forbudt å installere BERG-trampolinen på betong, asfalt eller annen hard overflate eller i nærheten av andre lekeplassinstallasjoner (bassenger, husker, sklier eller andre lekestrukturer).



FlatGround advarsler:

- Når det brukes sammen med et sikkerhetsnett, anbefales ikke BERG-trampoliner for barn under 6 år.
- Når det brukes uten et sikkerhetsnett, anbefales ikke BERG-trampoliner for barn under 14 år.
- Det må graves et hull i bakken for å installere trampolinen. Hvis du ikke er sikker på grunnarbeide, kontakt profesjonelle.
- Gjenstander, dyr og mennesker er ikke tillatt under BERG Trampoline. Hvis du fjerner beskyttelseskannten, må du kontrollere at ingenting ligger under trampolinen før du setter den på igjen.

Sikkerhetsnetts advarsler:

- Påse at inngangen til sikkerhetsnettet er helt lukket før du bruker BERG-trampolinen.
- Det er forbudt å hoppe over sikkerhetsnettet.
- Det er forbudt å kripe mellom trampolinpolstringen og undersiden av sikkerhetsnettet.
- Sikkerhetsnettet er for å gjøre trampolinen tryggere; ikke hopp bevisst i sikkerhetsnettet, heng deg på nettet eller klatre oppover nettet.
- Påse at brukerens klær ikke inneholder kroker, løkker, løpesnorer eller andre løse deler som potensielt kan feste seg på sikkerhetsnettet.
- Det er forbudt å feste tilbehør eller reservedeler som ikke er BERG-kompatible til BERG-sikkerhetsnettet.
- Klatring på sikkerhetsnettets stolper er forbudt.
- Sikkerhetsnettet er BERG-trampolinens eneste inngangs- eller utgangspunkt.
- Hold ild borte fra sikkerhetsnettet.
- Nettet skal byttes ut hvert 5. år (eller tidligere, ved funksjonstap).
- Vi anbefaler at du demonterer sikkerhetsnettet før kraftige vindforhold eller vindkast.

3. Informasjon

- BERG-produkt må brukes som definert i håndboken. Bruk som avviker fra håndboken kan potensielt lede til alvorlig personskade eller skade på produktet. Les alle instruksjonene før trampolinen tas i bruk. For å sikre sikker og hyggelig bruk av BERG-trampolinen er advarsler og vedlikeholdsinstruksjoner inkludert.
- Sikre at det minst er 2 meter fra trær, gjerder og andre hindringer.
- Det er påkrevet at man minst har 7 meters klaring fra bakken.
- Av sikkerhetsmessige grunner, med mindre BERG-godkjent, er modifikasjoner eller endringer av trampolinen forbudt.

4. Hoppe-instruksjoner

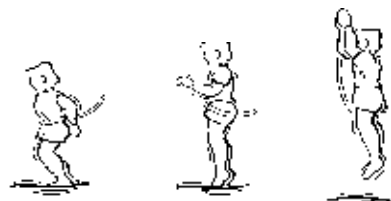
4.1 Hoppe-instruksjoner

- Når du bruker en BERG-trampoline, er det viktig at du antar riktig holdning. Riktig holdning og balanse oppnås ved å stramme de riktige musklene, slik at det er mulig å trene trygt på trampoline.
- God holdning sikrer trygg bruk av BERG-trampolinen. Når du hopper, utsettes kroppen for støt som krever den riktige absorpsjonen. Ved å spenne musklene får du bedre kontroll over balansen, og dette resulterer i mer hoppresistens. En mer avslappet holdning, i motsetning, fører til tap av energi og hoppresiliens. Begynn med grunnleggende hopp og hoppstillinger og bare øk vanskelighetsgrad ved mestring. For å stoppe når du hopper, bøy knærne når føttene berører matten.
- For å stoppe når du hopper, bøy knærne når føttene berører matten. Lær denne ferdigheten før du prøver de andre.
- Lær grunnleggende sprett og kroppsposisjoner grundig før du prøver mer avanserte ferdigheter. En rekke hoppeteknikker kan utføres alene eller i serie og/eller kombinasjoner mellom sprett.
- Unngå å sprette for høyt. Få først hoppkontroll med riktig landingsposisjon midt på matten. Fra et sikkerhetsperspektiv er kontroll viktigere enn høyde.
- For å sikre og opprettholde kontroll mens du hopper, sørg for at hoppestillingen er rett, hodet er i oppreist stilling og øynene er fokusert på hoppmatten.
- Kontroller fjærenes tilstand (ødelagte eller ekstremt strekk) og fjærfestet til ramme og hoppmatte. Fjærene og opphengssystemet utsettes for slitasje; bytt ut slitte deler i tide.

4.2 Grunnleggende hopp

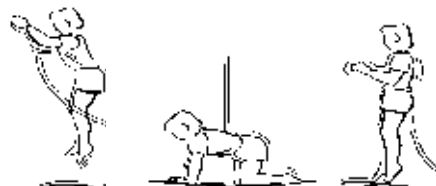
Grunnleggende sprett

Stående posisjon, hodet holdt i oppreist stilling. Øynene fokusert på hoppematten. Mens du hopper oppover, sving 3 armene fremover og i sirkulære bevegelser og strekk tærne nedover. Hold føttene sammen, strekk tærne nedover når du kommer tilbake til hoppematten. Hold føttene ca. 40 cm fra hverandre når du lander på hoppematten.



Hånd- og knesprett

Start med en grunnleggende sprett. Hold øynene fokusert på hoppematten. Sving armene fremover og i sirkelbevegelse. Lande på hendene og knærne. Skyv fra med hendene og gå tilbake til oppreist stilling.



Setefall

Start med en grunnleggende sprett. Hold øynene fokusert på hoppematten. Lande i sittende stilling. Legg hendene på hoftene på hoppematten når du sitter. Skyv fra med hendene og gå tilbake til oppreist stilling.



Magehopp

Begynn med grunnleggende sprett og land på magen. Hold hodet rett. Hold armene utstrakt fremover på hoppematten. Skyv fra med hendene og gå tilbake til oppreist stilling.



Ryggfall

Begynn med grunnleggende sprett og land på ryggen. Hold haken presset mot brystet under landing. Spark fremover og opp med bena når du går tilbake til stående stilling.



5. Montering og vedlikeholdsinstruksjoner

5.1 Montering og demontering

Generell montering og demontering:

- Ikke installer trampolinen mens det blåser, vent til vinden har avtatt.
- Vi anbefaler bruk av arbeidshansker når du installerer produktene.
- Påse at BERG-trampolinen installeres på flat bakke. Bruk et vater for å sjekke dette.
- Trampolinen kan ha fester med selvlåsende muttere. Disse selvlåsende mutterne er kun til engangsbruk og må byttes ut når du demonterer og installerer trampolinen på nytt.
- Se side 4 og utover for instruksjoner om hvordan produktet skal installeres.
- Installer tilbehøret i henhold til håndboken/guiden.
- Krever trampolinen flytting til et annet sted (kort avstand), demonterer du ankerne (hvis noen) først før de flyttes. Det anbefales at trampolinen løftes via de øverste skinnene av minst 4 voksne.
- Hvis trampolinen fjernes og plasseres i et alternativt område ikke i nærheten av den opprinnelige plasseringen, må du demontere den og plassere den i originalemballasjen. Monter igjen i samsvar med monterings- og installasjonsinstruksjonene.



InGround-montering og -demontering:

- Plassering: Finn et passende sted for montering av trampolinen, og pass på at det ikke finnes noen hindringer rundt. Sjekk jordtilstanden og -egenskapene til det angitte stedet for å fastslå hvor egnet det er til montering.
- Mens du graver hullet, bør jorden være fast for å unngå kollaps på grunn av erosjon. Hvis det er nødvendig kan du styrke sidene på hullet eller gjøre dem glatte for å forhindre dette.
- Hvis bakken er for hard til å grave i, er det bedre å velge et annet sted, eller kontakte en fagarbeider.
- Kontroller om et høyt grunnvannsnivå ikke bidrar til å samle vann i hullet. Du må i tillegg kontrollere at det er tilstrekkelig drenering for å avhende regnvann.
- Du må i tillegg kontrollere at det er tilstrekkelig drenering for å avhende regnvann.

FlatGround-montering og -demontering:

- Plassering: Finn et passende sted for montering av trampolinen, og pass på at det ikke finnes noen hindringer rundt. Sjekk jordtilstanden og -egenskapene til det angitte stedet for å fastslå hvor egnet det er til montering.
- Mens du graver hullet, bør jorden være fast for å unngå kollaps på grunn av erosjon. Hvis det er nødvendig kan du styrke sidene på hullet eller gjøre dem glatte for å forhindre dette.
- Hvis bakken er for hard til å grave i, er det bedre å velge et annet sted, eller kontakte en fagarbeider.
- Kontroller om et høyt grunnvannsnivå ikke bidrar til å samle vann i hullet. Du må i tillegg kontrollere at det er tilstrekkelig drenering for å avhende regnvann.
- Du må i tillegg kontrollere at det er tilstrekkelig drenering for å avhende regnvann.

5.2 Vedlikeholdsinstruksjoner

Generelle vedlikeholdsinstruksjoner:

- Inspiser BERG-trampolinen før hvert bruk i henhold til installasjonsinstruksjonene, og bytt ut defekte, slitte eller manglende deler. Å ignorere disse instruksjonene og unnlate å utføre vedlikehold kan føre til farlige situasjoner og unødvendig risiko for brukeren. For å bestille originale BERG-trampolinedeler og tilbehør, vennligst kontakt forhandleren eller besøk www.bergtoys.com.
- Kontroller rammedelenes tilstand (ødelagte sveiser, bøyd ramme eller skarpe og utstikkende deler) og bytt dem ut om nødvendig.
- Kontroller fjærenes tilstand (ødelagte eller ekstremt strekk) og fjærfestet til ramme og hoppmatte. Fjærene og opphengssystemet utsettes for slitasje; bytt ut slitte deler i tide.
- Kontroller at bolttilkoblingene er tette og stram dem om nødvendig. Kontroller at tilkoblingene (trykkpinnene) sitter godt, og sjekk at de ikke løsner når du hopper på trampolinen.
- Kontroller tilstanden til hoppematten (skade, feilspenning, løse sømmer eller hengende matte). Hoppematten vil slites ut ved bruk og eksponering for sollys (UV-stråling). Bytt ut hoppematten i tide når mattens tilstand begynner å forverres.
- Kontroller tilstanden til beskyttelseskanten og dets rammefeste. Bytt ut en defekt beskyttelseskant.
- Gjødning (flytende gjødning eller gjødninggranulat osv.) Må ikke brukes i en radius på 2 meter fra en BERG-trampoline. Bruk av slike produkter kan være skadelig for trampolinematerialene.
- Rengjør hoppematten og beskyttelseskanten enkelt med en klut og litt kaldt eller lunkent vann. Ikke, under noen omstendigheter, bruk løsemidler, vaskemiddel, såpepulver eller varmt vann.
- Reparasjoner må utføres av profesjonelle. Vennligst kontakt din BERG-leverandør.

Regular-vedlikeholdsinstruksjoner:

- Sterk vind og vindkast kan forskyve trampolinen. Vi anbefaler å forankre trampolinen med staker eller sandsekker, eller å fjerne hoppematten før det begynner å blåse.
- I noen land kan vekten av snøen om vinteren og de svært lave temperaturene skade trampolinen. BERG anbefaler å oppbevare hoppematten og sikkerhetsnettet innendørs om vinteren.
- Sørg for et trygt og sikkert miljø når trampolinen ikke er i bruk. Beskytt den mot uautorisert bruk. Ved bruk av en trampolinestige må denne fjernes når den er uten tilsyn. Dette for å sikre at barn ikke får tilgang uten tilsyn.
- Hvis trampolinen ikke brukes i korte perioder, og for å unngå rusk på hoppematten forårsaket av falne blader og kvister, anbefaler BERG bruk av et BERG-værdekke. Når trampolinen ikke brukes over lengre tid (f.eks. om vinteren), anbefaler BERG å oppbevare trampolinen, spesielt den beskyttende polstringen, på et tørt område for å støtte produktets levetid.

InGround-vedlikeholdsinstruksjoner:

- Etter en regnværperiode og før bruk, inspiser trampolinehullet. Påse at det er tilstrekkelig drenering for å avhende regnvann.
- I henhold til diagrammet i installasjonshåndboken, bruk det medfølgende målebåndet (plassert i emballasjen) for å måle og bestemme riktig diameter, dybde og form på hullet. Påse at hullet graves i henhold til spesifikasjonene og at veggene ikke er for bratte. Avvik fra hullspesifikasjonene kan føre til uønsket veggkollaps og ustabil trampoline.
- Trampolinens ben støtter trampolinerammen. Påse at bena er like høye og står godt på bakken. Forankre bena med de medfølgende stakene.
- Undersøk hullet under trampolinen regelmessig (minst 1x per år) og ta korrigerende tiltak om nødvendig. Som angitt i installasjonsinstruksjonene, sjekk hullet for riktig dybde, riktig form, rammens stabilitet og om trampolinen fremdeles står jevnt på bakken. Sjekk hullet for skjulte gjenstander og fjern dem om nødvendig.
- I noen land kan vekten av snøen om vinteren og de svært lave temperaturene skade trampolinen. BERG anbefaler å fjerne snø fra trampolinen med jevne mellomrom.
- Når trampolinen ikke brukes i korte perioder, kan den dekket med et BERG-dekke, som holder trampolinen fri for blader og kvister. Når trampolinen ikke brukes over lengre perioder (f.eks. om vinteren), anbefaler vi at du oppbevarer beskyttelseskanten på et tørt sted for lengre levetid.

FlatGround-vedlikeholdsinstruksjoner:

- Etter en regnværperiode og før bruk, inspiser trampolinehullet. Påse at det er tilstrekkelig drenering for å avhende regnvann.
- I henhold til diagrammet i installasjonshåndboken, bruk det medfølgende målebåndet (plassert i emballasjen) for å måle og bestemme riktig diameter, dybde og form på hullet.
- Undersøk hullet under trampolinen regelmessig (minst 1x per år) og ta korrigerende tiltak om nødvendig. Som angitt i installasjonsinstruksjonene, sjekk hullet for riktig dybde, riktig form, rammens stabilitet og om trampolinen fremdeles står jevnt på bakken. Sjekk hullet for skjulte gjenstander og fjern dem om nødvendig.



6. Garanti

6.1 Garantiperiode

BERG trampoliner er av utmerket kvalitet. For å gi deg flere års bekymringsløs moro på trampolinene våre, tilbyr BERG deg en funksjonalitetsgaranti. En funksjonalitetsgaranti er en garanti for funksjonell bruk. Se tabellen nedenfor for garantiperioden (år).

Ramme	10
Ramme (etter produktregistrering)	13 (10+3)
Polstring (Elite)	5
Polstring (Champion)	2
Hoppematte	2
Springfjærer	5
Sikkerhetsnett	2

Med unntak av 1-års garanti på BERG-værdekket, er BERG-sikkerhetsnett og tilbehør underlagt en 2-års garantiperiode. Deler som er utsatt for slitasje (f.eks. elastikken), værpåvirkning (f.eks. rust og misfarging) og skummet på BERG-sikkerhetsnettrørene er unntatt garantien.

6.2 Garantivilkår

Produktets eier kan kun kreve garanti ved å presentere den originale kjøpskvitteringen. Garantien gjelder kun material- og produksjonsfeil relatert til BERG-produktet og relaterte deler.

Garantien blir ugyldig hvis:

- Produktet brukes feil og/eller uaktsomt.
- Produktet er ikke montert og vedlikeholdt i henhold til bruksanvisningen.
- Tekniske reparasjoner utført på produktet er ikke utført på en profesjonell måte.
- Reservedelene samsvarer ikke med de tekniske spesifikasjonene for det aktuelle produktet eller er feilinstallerte.
- Skader forårsaket av værpåvirkning, som rust, UV-stråler eller normal slitasje.
- Upassende begravelse av BERG-trampolinen.
- Produktet brukes til utleieformål eller gjøres tilgjengelig for bruk av en tredjepart.
- I løpet av garantiperioden vil alle material- og konstruksjonsvurderte feil repareres eller erstattes av BERG. Reparasjoner som utføres kostnadsfritt forutsetter at produktet fortsatt er innenfor garantiperioden som angitt i artikkel 6.1.
- BERG-garantien oppfylles kun hvis det originale kjøpsbeviset blir gitt til den autoriserte BERG-forhandleren. Hvis eieren har flyttet eller BERG-forhandleren ikke lenger er i drift, kan BERG anbefale en alternativ BERG-forhandler.
- Hvis garantikravet ikke blir oppfylt, må alle påløpte kostnader betales av eieren.
- Garantien kan ikke overføres til tredjeparter.

BERG



PRODUCT REGISTRATION

Vil du ha gratis tilleggsgaranti?*

Ikke glem å registrere produktet ditt på nettet øyeblikkelig! Gå til **www.bergtoys.com/no/registration**.

Denne produktregistreringen gir deg 3-års utvidet garanti på rammen til din gokart eller trampoline. Denne utvidede garantien er i tillegg til standardgarantien som du får på rammen.

*For å se vilkårene, gå til www.bergtoys.com/no/registration



www.bergtoys.com/no/registration



Hakemisto

1. Johdanto
2. Varoitus
3. Tietoa
4. Hyppyohjeet
 - 4.1 Hyppyohjeet
 - 4.2 Perushyppy
5. Kokoamis- ja huolto-ohjeet
 - 5.1 Asennus ja purkaminen
 - 5.2 Huolto-ohjeet
6. Takuu
 - 6.1 Takuukausi
 - 6.2 Takuuehdot

Tämä trampoliini soveltuu kotikäyttöön. Tietoa siitä, mitkä trampoliinit sopivat julkiseen käyttöön (kuten leirintäalueille, puistoihin, ravintoloihin jne.) löytyy sivustolta www.bergtoys.com.

1. Johdanto

Kiitos, kun valitsit BERG-trampoliinin. Olemme varmoja, että voit nauttia hyödyllisestä käytöstä ja mukavasta hyppelystä monien vuosien ajan. Trampoliinin käyttö edistää aktiivista ja tervettä leikkiä. Sillä on myönteinen vaikutus stressiin, fyysiseen kuntoon ja verenkiertoon. Trampoliinihyppely sopii nuorille ja nuoremmille! Tässä käsikirjassa on ohjeita kokoamiseen ja turvalliseen käyttöön sekä hyppyohjeita monien vuosien vaivattomaan käyttöön. Trampoliinihyppely ei ole vaarallista, jos noudatat turvaohjeita. BERG toivottaa sinulle hauskaa ja aktiivista hyppelykokemusta!

Huomio! Tämä ohjekirja sopii usean tyyppisille trampoliineille. Lukiessasi ohjekirjaa kiinnitä huomiota siihen, mikä tieto koskee omaa trampoliiniasi.

2. Varoitus

Yleiset Varoitukset:

- Käyttäjän suurin sallittu paino on:

Ø270	Ø330	Ø380	Ø430
70kg	100kg	110kg	120kg

- Ei sovi alle 3-vuotiaille lapsille. Putoamisvaara
- Ei sovi alle 3-vuotiaille lapsille. Tukehtumisvaara, pieniä osia.
- Trampoliini on koottava kokoamisohjeiden mukaisesti. Tarkista koottu trampoliini ennen ensimmäistä käyttökertaa.
- BERG-trampoliini on tarkoitettu vain ulkokäyttöön.
- Lue ohjeet huolellisesti ja säilytä ne myöhempää tarvetta varten.
- Vain yksi käyttäjä. Törmäysvaara. Useiden henkilöiden yhtäaikainen käyttö voi aiheuttaa vakavia vammoja.
- Hyppi ilman kenkiä.
- Älä käytä hyppymattoa, jos se on märkä.
- Tyhjennä taskut ja kädet ennen hyppimistä.
- Hypi aina hyppymaton keskellä.
- Älä syö hyppäämisen aikana.
- Älä poistu trampoliinilta hyppäämällä.
- Rajoita keskeytyksetöntä käyttöä (pidä taukoja säännöllisesti).
- Älä käytä kovassa tuulessa. Kiinnitä trampoliini paikalleen.
- Älä tee voltthyppejä. Laskeutuminen päälle tai niskalle voi aiheuttaa vakavia loukkaantumisia, myös hyppymaton keskiosaan laskeuduttaessa.
- Edellyttää aikuisen valvontaa.
- BERG-trampoliinin käyttö alkoholin tai huumeiden vaikutuksen alaisena on kielletty.
- Pehmusteet voivat kuumeta suorassa auringonvalossa. Ole varovainen.
- Pidä trampoliini poissa tulen ja muiden kuumuudenlähteiden läheisyydestä.
- Esineet ja muut esteet, jotka voivat häiritä hyppäämistä, on kielletty hyppyalueella.
- BERG-trampoliinin alla ei saa olla esineitä, eläimiä tai ihmisiä.
- Hypi aina maton keskellä. Vältä hyppimistä maton reunoilla ja trampoliinin pehmusteilla.
- Huomattavaa hankausta aiheuttavia liikkeitä (kuten liukumista) hyppymaton painatuksen tai pehmusteiden päällä ei suositella. Voimakas hankaus hyppymaton painatuksen tai pehmusteiden päällä liu'uttaessa voi aiheuttaa musteen siirtymisen iholle tai vaatteisiin. Musteen poistaminen vaatteista voi olla hankalaa. Muste täyttää leikkikalutuotteille asetetut tiukat kemialliset vaatimukset, joten ihokosketuksella tai musteen nielemisellä ei ole haitallisia vaikutuksia terveydelle.

Regular-Varoitukset:

- BERG-trampoliinia ei suositella alle 6-vuotiaiden lasten käyttöön.
- Tätä trampoliinia ei ole tarkoitettu kaivettavaksi maahan ja käytettäväksi maan sisällä olevana rakenteena.
- BERG-trampoliinin asentaminen betonille, asfaltille tai muulle kovalle alustalle tai muiden leikkivälineiden (uima-altaiden, keinujen, liukumäkien tai kiipeilytelien) läheisyyteen on kielletty.

InGround-Varoitukset:

- Turvaverkon kanssa käytettynä BERG-trampoliinia ei suositella alle 6-vuotiaiden lasten käyttöön.
- Ilman turvaverkkoa käytettynä BERG-trampoliinia ei suositella alle 14-vuotiaiden lasten käyttöön.
- Maahan on kaivettava kuoppa trampoliinin asentamista varten. Jos et ole varma pohjustuksista, ota yhteyttä ammattilaiseen.
- BERG-trampoliinin alla ei saa olla esineitä, eläimiä tai ihmisiä. Jos irrotat suoja-ruunuksen, varmista, että trampoliinin alla ei ole mitään, ennen kuin kiinnität sen takaisin paikalleen.
- BERG-trampoliinin asentaminen betonille, asfaltille tai muulle kovalle alustalle tai muiden leikkivälineiden (uima-altaiden, keinujen, liukumäkien tai kiipeilytelien) läheisyyteen on kielletty.

FlatGround-Varoitukset:

- Turvaverkon kanssa käytettynä BERG-trampoliinia ei suositella alle 6-vuotiaiden lasten käyttöön.
- Ilman turvaverkkoa käytettynä BERG-trampoliinia ei suositella alle 14-vuotiaiden lasten käyttöön.



- Maahan on kaivettava kuoppa trampoliinin asentamista varten. Jos et ole varma pohjustustöistä, ota yhteyttä ammattilaiseen.
- BERG-trampoliinin alla ei saa olla esineitä, eläimiä tai ihmisiä. Jos irrotat suojareunuksen, varmista, että trampoliinin alla ei ole mitään, ennen kuin kiinnität sen takaisin paikalleen.

Turvaverkon Varoitus:

- Varmista, että turvaverkon sisäänkäynti on täysin suljettu, ennen BERG-trampoliinin käyttöä.
- Hyppiminen turvaverkon yli on kielletty.
- Ryömiminen trampoliinin pehmusteiden ja turvaverkon alaosan välissä on kielletty.
- Turvaverkon tarkoitus on tehdä trampoliinista turvallisempi. Älä hypi turvaverkon päälle tarkoituksella äläkä roiku verkossa tai kiipeä sen päälle.
- Varmista, että käyttäjän vaatteissa ei ole koukkuja, silmukoita, naruja tai muita irrallisia osia, jotka voivat tarttua turvaverkkoon.
- Muiden kuin BERGin kanssa yhteensopivien lisäosien tai varaosien kiinnittäminen BERG-trampoliiniin on kielletty.
- Turvaverkon tankojen päälle kiipeäminen on kielletty.
- Käytä vain turvaverkon aukkoa BERG-trampoliinin sisään- ja uloskäyntinä.
- Suojaa turvaverkko tulelta.
- Verkko tulee vaihtaa 5 vuoden välein (tai aikaisemmin, jos sen toimintakyky heikkenee).
- Suosittelemme turvaverkon irrottamista erittäin tuulisella ja puuskittaisella säällä.

3. Tietoa

- BERG-tuotteita on käytettävä käyttöohjeiden mukaisesti. Käyttöohjeista poikkeava käyttö voi johtaa vakaviin loukkaantumisiin tai vahingoittaa tuotetta. Lue kaikki ohjeet ennen trampoliinin käyttöä. BERG-trampoliinin turvallisen ja miellyttävän käytön varmistamiseksi sen mukana toimitetaan Varoitus, hoito- ja huolto-ohjeet.
- Varmista vähintään 2 metrin etäisyys puista, aidoista ja muista ympäröivistä esteistä.
- Yläpuolella on oltava vähintään 7 metriä vapaata tilaa maanpinnasta mitattuna.
- Muut kuin BERGin hyväksymät trampoliiniin tehtävät muutokset ovat kiellettyjä turvallisuussyistä.

4. Hyppyohjeet

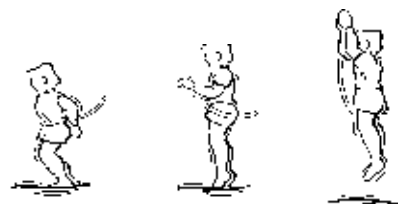
4.1 Hyppyohjeet

- Berg-trampoliinia käytettäessä oikeanlainen asento on keskeisen tärkeää. Oikea asento ja tasapaino saavutetaan jännittämällä oikeat lihakset, mikä mahdollistaa turvallisen harjoittelun trampoliinilla.
- Hyvä asento takaa BERG-trampoliinin turvallisen käytön. Hyppimisen aikana keho altistuu iskuille, jotka vaativat oikealaisen vaimennuksen. Jännittämällä lihaksia hallitset paremmin tasapainoasi, mikä puolestaan saa aikaan kestävämmän hyppelytavan. Toisaalta rennompia asentoja haastaa energiaa ja heikentää hyppijän ponnekkautta. Aloita perushypyillä ja -hyppyasentoilla ja kokeile monimutkaisempia hyppyjä opittuasi alkeet. Jos haluat pysähtyä, koukista polvia hyppelyn aikana, kun jalat koskettavat mattoa.
- Jos haluat pysähtyä, kumarru ja koukista polvia hyppelyn aikana, kun jalat koskettavat mattoa. Opettele tämä taito ennen kuin kokeilet muita hyppyjä.
- Opettele perustason hypyt ja asennot kunnolla ennen kuin kokeilet edistyneempiä taitoja. Erilaisia hyppytekniikoita voidaan suorittaa yksittäin tai sarjana ja/tai yhdistelminä hyppijän välillä.
- Vältä hyppimistä liian korkealle. Opettele ensin hyppijän hallinta ja oikea laskeutumisasento maton keskikohdalla. Hallinta on turvallisuuden kannalta tärkeämpää kuin korkeus.
- Varmistaaksesi hallinnan ja ylläpitääksesi sitä hyppäämisen aikana, varmista, että hyppyasento on suora, pää pystyasennossa ja katse kohdistettuna hyppymattoon.
- Tarkista jousien kunto (ovatko ne rikkoutuneet tai liian venyneet) ja kiinnitys kehikkoon ja hyppymattoon. Jouset ja jousitusjärjestelmä altistuvat kulumiselle. Vaihda kuluneet osat hyvissä ajoin.

4.2 Perushyppy

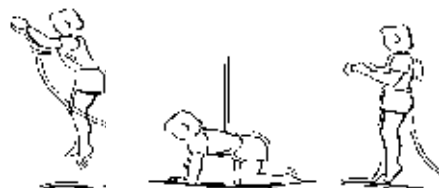
Perushyppely

Pystyasento, pää pystyssä. Katse kohdistettuna hyppymattoon. Kun hyppäät ylöspäin, heilauta käsivarret eteenpäin pyörivällä liikkeellä ja kohdista varpaat alaspäin. Pidä jalat yhdessä ja varpaat alaspäin suunnattuna, kun laskeudut takaisin hyppyalustalle. Kun laskeudut hyppymatolle, pidä jalat noin 40 cm etäisyydellä toisistaan.



Ponnahdus konttausasennossa

Aloita perusponnahduksella. Pidä katse kohdistettuna hyppymattoon. Heilauta käsivarret eteenpäin pyörivällä liikkeellä. Laskeudu konttausasentoon. Työnnä käsillä ja nouse takaisin pystyasentoon.



Istumaan hyppy

Aloita perusponnahduksella. Pidä katse kohdistettuna hyppymattoon. Laskeudu istuma-asentoon. Laita kädet lanteiden viereen hyppymatolle istuma-asennossa. Työnnä käsillä ja nouse takaisin pystyasentoon.



Vatsalleen hyppy

Aloita perushyppelyllä ja laskeudu vatsallesi. Pidä kädet suorina. Pidä käsivarret eteenpäin ojennettuina hyppymatolla. Työnnä käsillä ja nouse takaisin pystyasentoon.



Selälleen hyppy

Aloita perushyppelyllä ja laskeudu selällesi. Pidä leuka alaspäin painettuna laskeutumisen aikana. Potkaise jaloilla eteenpäin palatessasi seisoma-asentoon.



5. Kokoamis- ja huolto-ohjeet

5.1 Asennus ja purkaminen

Yleinen asennus ja purkaminen:

- Älä asenna trampoliinia tuulisella säällä, vaan odota että tuuli tyyntyy.
- Suosittelemme työkäsineiden käyttöä asennuksen aikana.
- Varmista, että BERG-trampoliini asennetaan tasaiselle maalle. Tarkista asia vesivaa'alla.
- Trampoliinissa voi olla kiinnikkeitä, joissa on itselukkiutuvia muttereita. Itselukkiutuvat mutterit ovat kertakäyttöisiä, ja ne on vaihdettava, jos trampoliini puretaan osiin ja asennetaan uudelleen.
- Lue tuotteen asennusohjeet alkaen sivulta 4.
- Asenna lisäosat asennusoppaan ohjeiden mukaisesti.
- Jos trampoliini siirretään uuteen paikkaan (lyhyt matka), pura ankkurit (jos niitä on) ennen laitteen siirtämistä. Suosittelemme, että vähintään 4 aikuista nostaa trampoliinia yläkaiteista kiinni pitäen.
- Jos trampoliini siirretään ja sijoitetaan uudelle alueelle, joka ei ole alkuperäisen sijoituspaikan lähellä, pura trampoliini ja laita se alkuperäiseen pakkaukseen. Kokoa uudelleen kokoamis ja asennusohjeiden mukaisesti.



InGround-asennus ja purkaminen:

- Sijainti: Etsi sopiva paikka trampoliiniin asentamiseen ja varmista, ettei lähistöllä ole esteitä. Tarkista maaperän laatu ja valitsemasi sijoituspaikan ominaisuudet määrittääksesi, että ne sopivat laitteen asennukseen.
- Kun kaivat kuoppaa, maaperän pitäisi olla kiinteää eikä helposti murenevaa. Vahvista kuopan reunat tai silota ne murenemisen estämiseksi tarvittaessa.
- Jos maaperä on liian kovaa kaivettavaksi, sinun kannattaa valita toinen sijoituspaikka tai ottaa yhteyttä rakennusalan ammattilaiseen.
- Varmista, ettei korkea pohjaveden pinta aiheuta saa aikaan veden kerääntymistä kuoppaan. Varmista myös, että sadeveden poistoon on riittävä ojitus.
- Varmista myös, että sadeveden poistoon on riittävä ojitus.

FlatGround-asennus ja purkaminen:

- Sijainti: Etsi sopiva paikka trampoliiniin asentamiseen ja varmista, ettei lähistöllä ole esteitä. Tarkista maaperän laatu ja valitsemasi sijoituspaikan ominaisuudet määrittääksesi, että ne sopivat laitteen asennukseen.
- Kun kaivat kuoppaa, maaperän pitäisi olla kiinteää eikä helposti murenevaa. Vahvista kuopan reunat tai silota ne murenemisen estämiseksi tarvittaessa.
- Jos maaperä on liian kovaa kaivettavaksi, sinun kannattaa valita toinen sijoituspaikka tai ottaa yhteyttä rakennusalan ammattilaiseen.
- Varmista, ettei korkea pohjaveden pinta aiheuta saa aikaan veden kerääntymistä kuoppaan. Varmista myös, että sadeveden poistoon on riittävä ojitus.
- Varmista myös, että sadeveden poistoon on riittävä ojitus.

5.2 Huolto-ohjeet

Yleiset huolto-ohjeet:

- Tarkista BERG-trampoliini ennen jokaista käyttökertaa asennusohjeiden mukaisesti ja vaihda vialliset, kuluneet tai puuttuvat osat. Näiden ohjeiden laiminlyönti ja kunnossapidon laiminlyönti voi aiheuttaa vaarallisia tilanteita ja tarpeettomia vaaratilanteita käyttäjälle. Jos haluat tilata alkuperäisiä BERG-trampoliiniin varaosia ja tarvikkeita, ota yhteyttä jälleenmyyjään tai käy sivustolla www.bergtoys.com.
- Tarkista kehikon osien kunto (rikkoutuneet hitsaukset, taipunut kehikko tai terävät ja ulkonevat osat) ja vaihda tarvittaessa.
- Tarkista jousien kunto (ovatko ne rikkoutuneet tai liian venyneet) ja kiinnitys kehikkoon ja hyppymattoon. Jouset ja jousitusjärjestelmä altistuvat kulumiselle. Vaihda kuluneet osat hyvissä ajoin.
- Tarkista, että pultit ovat tiukalla ja kiristä ne tarvittaessa. Tarkista, että liitännät (painetapit) ovat kunnossa ja tarkista, etteivät ne löysty, kun trampoliinia käytetään.
- Tarkista hyppymaton kunto (vauriot, vääränlainen jännite, purkautuneet ompeleet tai maton löystyminen). Hyppymatto kuuluu käytön ja auringonvalolle (UV-säteilylle) altistumisen vaikutuksesta. Vaihda hyppymatto ajoissa, kun sen kunto alkaa huonontua.
- Tarkista suojaruunuksen ja sen runkoon kiinnityksen kunto. Vaihda vioittunut suojaruunu.
- Lannoitteita (nestemäiset lannoitteet tai rakeet jne.) saa käyttää vain vähintään 2 metrin etäisyydellä BERG-trampoliinista. Lannoitteiden käytöllä voi olla haitallinen vaikutus trampoliinin materiaaleille.
- Voit puhdistaa hyppymaton ja suojaruunuksen helposti pyyhkeellä ja kylmällä tai kädenlämpöisellä vedellä. Älä käytä koskaan liuottimia, pesuaineita, saippuajauhetta tai kuumaa vettä.
- Vain ammattilaiset saavat tehdä korjaustöitä. Ota yhteyttä BERG-jälleenmyyjään.

Regular-huolto-ohjeet:

- Kova tuuli ja tuulenpuuskat voivat siirtää trampoliiniin paikaltaan. Suosittelemme ankkuroimaan trampoliiniin kiiloilla tai hiekkasäkeillä, tai poistamaan hyppymaton ennen tuulista säätä.
- Joissakin maissa lumen paino ja erittäin alhaiset lämpötilat voivat vahingoittaa trampoliinia talvisin. BERG suosittelee, että hyppymattoa ja turvaverkkoa säilytetään sisätiloissa talven ajan.
- Varmista, että trampoliini on suojatussa ja turvallisessa paikassa, kun se ei ole käytössä. Suojaa se luvattomalta käytöltä. Jos käytät trampoliinitikkaita, poista ne, kun laite jätetään vartioimatta. Näin lapset eivät pääse käyttämään trampoliinia valvomatta.
- Jos trampoliinia ei käytetä lyhyitä aikoja ja jotta hyppymatolle ei kertyisi pudonneita lehtiä ja oksia, BERG suosittelee BERG-sääsuojuksen käyttöä. Kun trampoliini on käyttämättömänä pidempään (esim. talven aikana), BERG suosittelee trampoliinin ja erityisesti suojapehmusteen säilyttämistä kuivassa paikassa, jotta voit nauttia pitkistä käyttöistä.

InGround-huolto-ohjeet:

- Tarkista sateisen kauden jälkeen ja ennen käyttöä trampoliinin kuoppa. Varmista, että sadeveden poistoon on riittävä ojitus.
- Mittaa ja määritä kaivetun kuopan oikea halkaisija, syvyys ja muoto oheisella mittanauhalla (pakkauksessa) asennusohjeiden kaavion mukaisesti. Varmista, että kuoppa kaivetaan määritysten mukaisesti ja että sen reunat eivät ole liian jyrkkiä. Jos kuoppa poikkeaa määrityksistä, se voi romahtaa ja trampoliini voi olla epävaka.
- Trampoliinin jalat tukevat trampoliinin kehikkoa. Varmista, että kaikki jalat sijaitsevat samalla korkeudella ja ovat tukevasti maan pinnalla. Kiinnitä jalat mukana olevilla kiiloilla.
- Tarkista trampoliinin alla oleva kuoppa säännöllisesti (vähintään kerran vuodessa) ja korjaa sitä tarvittaessa. Tarkista asennusohjeiden mukaan kuopan oikea syvyys, oikea muoto, kehikon vakaus ja se, että trampoliini on edelleen vaakasuorassa maanpinnan kanssa. Tarkista, onko kuopassa piilossa olevia esineitä ja poista ne tarvittaessa.
- Joissakin maissa lumen paino ja erittäin alhaiset lämpötilat voivat vahingoittaa trampoliinia talvisin. BERG suosittelee, että poistat lumen trampoliinin päältä säännöllisesti.
- Jos trampoliini on käyttämättömänä lyhyitä aikoja, se voidaan peittää BERG-suojapeitteellä, joka pitää trampoliinin puhtaana lehdistä ja oksista. Jos trampoliini on käyttämättömänä pidemmän ajan (esim. talvella), suosittelemme, että pidät suojareunuksen kuivassa paikassa voidaksesi nauttia tuotteen pidemmästä käyttöistä.

FlatGround-huolto-ohjeet:

- Tarkista sateisen kauden jälkeen ja ennen käyttöä trampoliinin kuoppa. Varmista, että sadeveden poistoon on riittävä ojitus.
- Mittaa ja määritä kaivetun kuopan oikea halkaisija, syvyys ja muoto oheisella mittanauhalla (pakkauksessa) asennusohjeiden kaavion mukaisesti.
- Tarkista trampoliinin alla oleva kuoppa säännöllisesti (vähintään kerran vuodessa) ja korjaa sitä tarvittaessa. Tarkista asennusohjeiden mukaan kuopan oikea syvyys, oikea muoto, kehikon vakaus ja se, että trampoliini on edelleen vaakasuorassa maanpinnan kanssa. Tarkista, onko kuopassa piilossa olevia esineitä ja poista ne tarvittaessa.



6. Takuu

6.1 Takuukausi

BERG-trampoliinit ovat erinomaisen laadukkaita. BERG tarjoaa toiminnallisuustakuun, jotta voit nauttia huolettomasta hauskanpidosta trampoliiniemme kanssa vuosien ajan. Toiminnallisuustakuu koskee laitteen toiminnallista käyttöä. Alla olevassa taulukossa esitetään tämän takuun kesto (vuosina).

Kehikko	10
Kehikko (tuotteen rekisteröinnin jälkeen)	13 (10+3)
Pehmuste (Elite)	5
Pehmuste (Champion)	2
Hyppymatto	2
Jouset	5
Turvaverkko	2

BERGin sääsuojaus yhden vuoden takuuta lukuun ottamatta BERG-turvaverkoilla ja -lisälaitteilla on kahden vuoden takuu. Takuu ei koske osia, jotka altistuvat kulumiselle (esim. kuminauhat) ja säälle (esim. ruoste ja värivirheet), eikä BERG-turvaverkon putkien vaahtomuovia.

6.2 Takuuehdot

Tuotteen omistaja voi vaatia takuuta vain esittämällä alkuperäisen ostokuitin. Takuu koskee vain BERG-tuotteeseen ja sen osiin liittyviä materiaali- ja valmistusvirheitä.

Takuu mitätöityy, jos:

- Tuotetta käytetään asiattomasti ja / tai huolimattomasti.
- Tuotetta ei koota ja huolleta ohjeiden mukaisesti.
- Tuotteen teknisiä korjauksia ei toteuteta ammattimaisesti.
- Varaosat eivät vastaa kyseisen tuotteen teknisiä tietoja tai ne on asennettu virheellisesti.
- Sään aiheuttamat vaikutukset, kuten ruoste, UV-säteet tai tavallinen kuluminen.
- BERG-trampoliinin virheellinen upottaminen maahan.
- Tuotetta on käytetty vuokratarkoituksiin tai se on annettu kolmannen osapuolen käyttöön.
- Takuuaikana BERG korjaa tai vaihtaa kaikki arvioidut materiaali ja rakenneviat. Maksuttomia korjauksia voidaan tehdä, jos tuotteen takuu on edelleen voimassa kohdassa 6.1 mainitun mukaisesti.
- BERG-takuu toteutetaan vain, jos alkuperäinen ostotodistus esitetään valtuutetulle BERG-jälleenmyyjälle. Jos omistaja on muuttanut tai BERG-jälleenmyyjä ei ole enää toiminnassa, BERG voi suositella käyttäjälle toista BERG-jälleenmyyjää.
- Jos takuuvaatimusta ei hyväksytä, omistajan on maksettava kaikki koituneet kustannukset.
- Takuuta ei voida siirtää kolmansille osapuolille.

BERG



PRODUCT REGISTRATION

Haluaisitko ilmaisen lisätakuun?*

Muista rekisteröidä tuotteesi verkossa heti! Mene osoitteeseen www.bergtoys.com/registration.

Tuotteen rekisteröinti oikeuttaa sinut 3 vuoden jatkettuun takuuseen mikroautosi tai trampoliinisi kehikolle. Jatkettu takuu annetaan saamallesi kehikolle tavallisen takuun lisäksi.

*Ehdot löytyvät osoitteesta www.bergtoys.com/registration



www.bergtoys.com/registration



Indice

1. Introduzione
2. Avvertenza
3. Informazioni
4. Istruzioni per saltare
 - 4.1 Istruzioni per saltare
 - 4.2 Salti semplici
5. Istruzioni per il montaggio e la manutenzione
 - 5.1 Montaggio e disassemblaggio
 - 5.2 Istruzioni per la manutenzione
6. Garanzia
 - 6.1 Periodo di garanzia
 - 6.2 Condizioni della garanzia

Questo tappeto elastico è indicato per un uso domestico. Le informazioni su quali tappeti elastici siano più indicati a un utilizzo pubblico (come nei campeggi, nei villaggi turistici, nei ristoranti, ecc.) sono disponibili sul sito web www.bergtoys.com.

1. Introduzione

Grazie di aver scelto BERG per l'acquisto del tuo tappeto elastico. Confidiamo nel fatto che lo userai per tanti anni e ti divertirai, salto dopo salto. Il tappeto elastico incoraggia il gioco attivo e sano. Ha un impatto positivo su stress, salute fisica e circolazione sanguigna. Il salto sul tappeto elastico è indicato per i giovani e per chi è giovane dentro! Il manuale fornisce le istruzioni sull'assemblaggio, sull'uso in sicurezza e sui consigli per saltare per molti anni e senza problemi. Saltare su un tappeto elastico non è pericoloso se segui le istruzioni di sicurezza. BERG ti augura tanto divertimento e moto e...buoni salti!

Attenzione! Questo manuale è adatto a diversi tipi di tappeti elastici. Durante la lettura del manuale, ti invitiamo a prestare attenzione alle informazioni che si applicano al tuo tappeto elastico.

2. Avvertenza

Avvertenza generali:

- Il peso massimo dell'utilizzatore è:

Ø270	Ø330	Ø380	Ø430
70kg	100kg	110kg	120kg

- Non indicato per i bambini di età inferiore ai 36 mesi. Rischio di caduta.
- Non indicato per i bambini di età inferiore ai 36 mesi. Rischio di soffocamento, piccole parti.
- Il tappeto elastico deve essere assemblato nel rispetto delle istruzioni di montaggio. Ispezionare il tappeto assemblato prima del primo utilizzo.
- Il tappeto elastico BERG è solo per un utilizzo da esterno.
- Leggere attentamente le istruzioni e conservarle per riferimento futuro.
- Solo un utilizzatore per volta. Rischio di collisione. Un utilizzo da parte di più persone può causare infortuni gravi.
- Saltare senza scarpe
- Non utilizzare il materassino da salto quando è bagnato.
- Prima di saltare, assicurarsi di svuotare le tasche e di avere le mani libere.
- Saltare sempre al centro del materassino.
- Non mangiare mentre si salta.
- Non uscire dall'area del tappeto o materassino con un salto.
- Limitare il tempo di utilizzo continuato (fare pause frequenti).
- Non utilizzare in condizioni di vento forte e fissare il tappeto elastico.
- Non fare capriole. Atterrare sulla testa o sul collo può causare gravi lesioni, anche quando si atterra al centro del materassino.
- Si richiede la supervisione di un adulto.
- È vietato utilizzare il tappeto elastico BERG sotto l'effetto di alcol o droghe.
- L'imbottitura può scaldarsi molto alla luce solare diretta, fare attenzione.
- Tenere il fuoco e altre fonti di calore lontano dal tappeto elastico.
- Oggetti e altri ostacoli che possono interferire con il salto dovrebbero essere proibiti sopra e vicino all'area di salto.
- Oggetti, animali o persone non devono essere posizionati né posizionarsi sotto il tappeto elastico BERG.
- Saltare sempre al centro del materassino. Evitare di saltare sul bordo del materassino e sull'imbottitura del tappeto elastico.
- Sono sconsigliati i movimenti che provocano un attrito considerevole (come i movimenti del tipo "scivolo") sulla stampa del materassino da salto o dell'imbottitura. Un forte attrito nello scivolamento sulla stampa del materassino o dell'imbottitura potrebbe provocare lo sfregamento dell'inchiostro sulla pelle o sugli indumenti. Potrebbe essere difficile rimuovere l'inchiostro dai vestiti. L'inchiostro soddisfa i requisiti chimici stringenti imposti ai giocattoli, quindi il contatto con la pelle o l'ingestione di questo inchiostro non hanno effetti nocivi sulla salute umana.

Avvertenza **Regular**:

- Il tappeto elastico BERG non è consigliato ai bambini sotto i 6 anni di età.
- Questo tappeto elastico non è progettato per essere ancorato al terreno e utilizzato in configurazione interrata.
- È vietato installare il tappeto elastico BERG su cemento, asfalto o qualsiasi altra superficie dura o in prossimità di altre installazioni nei parchi giochi (piscine, altalene, scivoli o altre infrastrutture per il gioco).

Avvertenza **InGround**:

- Se utilizzati con una rete di sicurezza, i tappeti elastici BERG non sono consigliati ai bambini sotto i 6 anni di età.
- Se utilizzati senza rete di sicurezza, i tappeti elastici BERG non sono consigliati ai bambini sotto i 14 anni di età.
- Scavare una fossa nel terreno per installare il tappeto elastico. Se non si è sicuri di saper eseguire i lavori di scavo, contattare un professionista.



- Oggetti, animali o persone non devono essere posizionati né posizionarsi sotto il tappeto elastico BERG. Se si rimuove il bordo protettivo, controllare che non ci sia nulla sotto il tappeto elastico prima di riattaccarlo.
- È vietato installare il tappeto elastico BERG su cemento, asfalto o qualsiasi altra superficie dura o in prossimità di altre installazioni nei parchi giochi (piscine, altalene, scivoli o altre infrastrutture per il gioco).

Avvertenza *FlatGround*:

- Se utilizzati con una rete di sicurezza, i tappeti elastici BERG non sono consigliati ai bambini sotto i 6 anni di età.
- Se utilizzati senza rete di sicurezza, i tappeti elastici BERG non sono consigliati ai bambini sotto i 14 anni di età.
- Scavare una fossa nel terreno per installare il tappeto elastico. Se non si è sicuri di saper eseguire i lavori di scavo, contattare un professionista.
- Oggetti, animali o persone non devono essere posizionati né posizionarsi sotto il tappeto elastico BERG. Se si rimuove il bordo protettivo, controllare che non ci sia nulla sotto il tappeto elastico prima di riattaccarlo.

Avvertenza *sulla rete di sicurezza*:

- Assicurarsi che l'accesso alla rete di sicurezza sia completamente chiuso prima di usare il tappeto elastico BERG.
- È vietato saltare oltre la rete di sicurezza.
- È vietato posizionarsi tra l'imbottitura del tappeto elastico e la parte inferiore della rete di sicurezza.
- La rete di sicurezza ha lo scopo di rendere più sicuro il tappeto elastico; non saltare deliberatamente sulla rete di sicurezza, non aggrapparsi né arrampicarsi su di essa.
- Assicurarsi che gli indumenti dell'utilizzatore non presentino ganci, anelli, cordoncini o altre parti libere che potrebbero potenzialmente agganciarsi alla rete di sicurezza.
- È vietato agganciare accessori o pezzi di ricambio non conformi o non a marchio BERG alla rete di sicurezza BERG.
- È vietato arrampicarsi sui pali della rete di sicurezza.
- L'apertura nella rete di sicurezza è l'unico punto di accesso o di uscita dal tappeto elastico BERG.
- Tenere la rete di sicurezza lontana dal fuoco.
- La rete deve essere sostituita ogni 5 anni (o prima in caso di evidente usura e compromissione della funzionalità).
- Si consiglia di smontare la rete di protezione in caso di condizioni meteorologiche con vento forte o raffiche.

3. Informazioni

- I prodotti BERG devono essere utilizzati come da manuale. Un utilizzo diverso dalle istruzioni presenti del manuale può potenzialmente provocare lesioni gravi o danni al prodotto. Consultare tutte le istruzioni prima di utilizzare il tappeto elastico. Per garantire un utilizzo sicuro e piacevole del tappeto elastico BERG, sono incluse le Avvertenze e le istruzioni per la cura e la manutenzione.
- Assicurarsi che ci sia una distanza di almeno 2 metri da alberi, recinzioni e da qualsiasi altro ostacolo circostante.
- È necessaria un'altezza minima di 7 metri da terra.
- Per motivi di sicurezza, a meno che non siano stati approvati da BERG, sono vietati modifiche o cambiamenti al tappeto elastico.

4. Istruzioni per saltare

4.1 Istruzioni per saltare

- Quando si utilizza un tappeto elastico BERG, è essenziale assumere la postura corretta. La corretta postura e l'equilibrio si ottengono contraendo i muscoli giusti, così da usare il tappeto elastico in tutta sicurezza.
- Una buona postura garantisce un utilizzo sicuro del tappeto elastico BERG. Durante il salto, il corpo è esposto a urti che richiedono un corretto assorbimento. Tendendo i muscoli, si ottiene un miglior

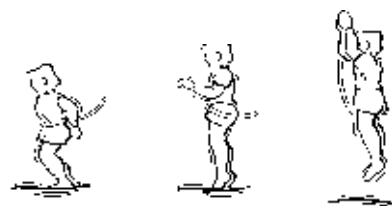
controllo dell'equilibrio, che si traduce in una maggiore resistenza al salto. Al contrario, una postura più rilassata porta alla dispersione dell'energia e a una minore resistenza al salto. Inizia con salti e posizioni semplici e aumenta la difficoltà solo quando hai acquisito sicurezza e capacità. Per fermarti nell'atterraggio, piega le ginocchia quando i piedi sfiorano il tappeto.

- Per fermarti nell'atterraggio, piega e fletti le ginocchia quando i piedi sfiorano il tappeto. Impratichisciti prima di aumentare il livello di difficoltà.
- Impara bene i salti di base e le posizioni del corpo più semplici prima di cimentarti in livelli di difficoltà superiori. Una varietà di tecniche di salto possono essere eseguite da sole o in serie e/o in combinazioni di più salti.
- Evitare di saltare troppo in alto. Per prima cosa ottenere il controllo del salto con la corretta posizione di atterraggio al centro del tappeto. Dal punto di vista della sicurezza, il controllo è più importante dell'altezza.
- Per mantenere il controllo durante il salto, assicurarsi di saltare in posizione eretta, che la testa sia dritta e gli occhi puntino al materassino.
- Verificare le condizioni delle molle (rotte o eccessivamente estese) e gli agganci delle stesse al telaio e al materassino da salto. Le molle e le sospensioni sono soggette a usura; sostituire adeguatamente le parti usurate.

4.2 Salti semplici

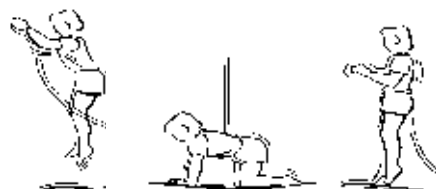
Rimbalzo semplice

Posizione eretta, con la testa dritta. Occhi concentrati sul materassino da salto. Mentre salti in alto, fai oscillare le braccia in avanti e disegna dei piccoli cerchietti e punta le dita dei piedi verso il basso. Tieni i piedi uniti, le dita dei piedi rivolte verso il basso quando atterri sul materassino Jump. Quando atterri sul materassino Jump, tenere i piedi distanziati di circa 40 cm.



Atterraggio sulle mani e sulle ginocchia

Inizia con un salto semplice. Tieni gli occhi fissi sul materassino da salto. Fai oscillare le braccia in avanti e disegnando dei piccoli cerchietti. Atterra su mani e ginocchia. Fatti forza con le mani per tornare in posizione eretta.



Atterraggio da seduti

Inizia con un salto semplice. Tieni gli occhi fissi sul materassino da salto. Atterra in posizione seduta. Tieni le mani vicino ai fianchi sul materassino in posizione seduta. Fatti forza con le mani per tornare in posizione eretta.



Salti sulla pancia

Inizia con un rimbalzo semplice e atterra sulla pancia. Tieni la testa dritta. Tieni le braccia distese in avanti sul materassino. Fatti forza con le mani per tornare in posizione eretta.



Atterraggio di schiena

Inizia con un rimbalzo semplice e atterra sulla schiena. Tieni il mento premuto contro il petto durante l'atterraggio. Calcia le gambe in avanti e verso l'alto quando ritorni in posizione eretta.





5. Istruzioni per il montaggio e la manutenzione

5.1 Montaggio e disassemblaggio

Istruzioni generali per il montaggio e il disassemblaggio:

- Non installare il tappeto elastico in caso di vento, ma attendere che il vento si sia placato.
- Si consiglia di indossare guanti da lavoro durante il montaggio.
- Assicurarsi che il tappeto elastico BERG sia montato a livello del pavimento o del terreno. Utilizzare una livella a bolla per l'operazione.
- Il tappeto elastico può essere fissato con dei dadi autobloccanti. I dadi autobloccanti sono esclusivamente monouso e devono essere sostituiti durante lo smontaggio e la reinstallazione del tappeto.
- Consultare la pagina 4 e seguenti per le istruzioni sul montaggio del prodotto.
- Installare gli accessori secondo il manuale/le istruzioni di montaggio.
- Se il tappeto richiede lo spostamento in un altro luogo (a breve distanza), smontare gli ancoraggi (se presenti) prima del trasferimento. Si consiglia di sollevare il tappeto elastico dalle guide superiori coinvolgendo almeno 4 adulti.
- Se il tappeto è spostato in un'area diversa e lontana dalla posizione originale, smontarlo e riporlo nella confezione originale. Rimontare secondo le istruzioni di montaggio e installazione.

Montaggio e disassemblaggio InGround:

- Ubicazione: trovare un luogo adatto per l'installazione del tappeto elastico assicurandosi che non ci siano ostacoli nei paraggi. Verificare le condizioni del suolo e le caratteristiche del luogo designato per stabilire l'idoneità dell'installazione.
- Durante lo scavo della buca, il terreno dovrebbe essere stabile per evitare il collasso dovuto all'erosione. Se necessario, rinforzare i bordi della buca o renderli lisci per evitare frane.
- Se il terreno è troppo difficile da scavare, è consigliabile cambiare luogo o contattare un professionista per i lavori di scavatura.
- Verificare se un livello troppo alto della falda acquifera non contribuisca alla raccolta di acqua nella buca. Inoltre, verificare la presenza di un adeguato sistema di scolo o canalizzazione per drenare l'acqua piovana.
- Inoltre, verificare la presenza di un adeguato sistema di scolo o canalizzazione per drenare l'acqua piovana.

Montaggio e disassemblaggio FlatGround:

- Ubicazione: trovare un luogo adatto per l'installazione del tappeto elastico assicurandosi che non ci siano ostacoli nei paraggi. Verificare le condizioni del suolo e le caratteristiche del luogo designato per stabilire l'idoneità dell'installazione.
- Durante lo scavo della buca, il terreno dovrebbe essere stabile per evitare il collasso dovuto all'erosione. Se necessario, rinforzare i bordi della buca o renderli lisci per evitare frane.
- Se il terreno è troppo difficile da scavare, è consigliabile cambiare luogo o contattare un professionista per i lavori di scavatura.
- Verificare se un livello troppo alto della falda acquifera non contribuisca alla raccolta di acqua nella buca. Inoltre, verificare la presenza di un adeguato sistema di scolo o canalizzazione per drenare l'acqua piovana.
- Inoltre, verificare la presenza di un adeguato sistema di scolo o canalizzazione per drenare l'acqua piovana.

5.2 Istruzioni per la manutenzione

Istruzioni generali per la manutenzione:

- Ispezionare il tappeto elastico BERG prima di ogni utilizzo secondo le istruzioni di installazione e sostituire le parti difettose, usurate o mancanti. Ignorare le istruzioni e non eseguire la manutenzione potrebbero comportare situazioni pericolose e rischi inutili per l'utilizzatore. Per ordinare parti e accessori originali del tappeto elastico BERG, contattare il proprio rivenditore o visitare il sito www.bergtoys.com.
- Verificare le condizioni delle componenti del telaio (saldature rotte, telaio piegato o pezzi taglienti e sporgenti) e sostituirle se necessario.
- Verificare le condizioni delle molle (rotte o eccessivamente estese) e gli agganci delle stesse al telaio e al materassino da salto. Le molle e le sospensioni sono soggette a usura; sostituire adeguatamente le parti usurate.
- Verificare che i raccordi dei bulloni siano ben saldi e, se necessario, serrarli nuovamente. Verificare che i

raccordi (viti a pressione) siano ben saldi e che non si allentino durante il salto.

- Controllare le condizioni del materassino da salto (danni, tensione errata, cuciture allentate o cedimenti). Il materassino da salto si consuma con l'uso e con l'esposizione alla luce solare (raggi UV). Sostituire in tempo il materassino quando inizia a deteriorarsi.
- Verificare le condizioni del bordo protettivo e il suo fissaggio al telaio. Sostituire un bordo protettivo difettoso.
- I fertilizzanti (liquidi o in granuli, tra gli altri) non devono essere utilizzati entro un raggio di 2 metri da un tappeto elastico BERG. L'uso di questi prodotti può danneggiare i materiali del tappeto elastico.
- Il materassino da salto e il bordo protettivo si puliscono facilmente con un panno imbevuto di acqua fredda o tiepida. Non utilizzare per nessun motivo solventi, detersivi, saponi in polvere o acqua calda.
- Le riparazioni devono essere affidate a un professionista. Ti invitiamo a contattare il tuo rivenditore BERG.

*Istruzioni per la manutenzione **Regular:***

- Forti venti e raffiche possono spostare il tappeto elastico. Si consiglia di ancorare il tappeto elastico con picchetti o sacchi di sabbia o di rimuovere il materassino da salto prima che salga il vento.
- In alcuni paesi, il peso della neve in inverno e le temperature molto rigide possono danneggiare il tappeto elastico. BERG consiglia di riporre il materassino da salto e la rete di sicurezza al chiuso in inverno.
- Custodire in un luogo sicuro e protetto quando il tappeto elastico non è in uso. Proteggerlo da usi impropri o non autorizzati. Quando si utilizza una scala per salire al tappeto, rimuoverla se lasciata incustodita. In questo modo si impedisce l'accesso ai bambini quando non sono sotto la supervisione di un adulto.
- Se il tappeto elastico non è utilizzato per brevi periodi e per evitare che i detriti causati da foglie e ramoscelli caduti si accumulino sul materassino, BERG consiglia di utilizzare una custodia contro le intemperie BERG. Se il tappeto elastico non viene utilizzato per un lungo periodo (ad esempio durante l'inverno) BERG consiglia di riporlo, in particolare l'imbottitura protettiva, in un luogo asciutto, a garanzia della longevità del prodotto.

*Istruzioni per la manutenzione **InGround:***

- Dopo un periodo di pioggia e prima dell'uso, ispezionare la buca del tappeto elastico. Verificare la presenza di un adeguato sistema di scolo o canalizzazione per drenare l'acqua piovana.
- Come da schema nel manuale di installazione, utilizzare il metro da sarto incluso (nella confezione) per misurare e determinare il diametro, la profondità e la forma corrette della buca scavata. Assicurarsi che la buca sia scavata secondo le specifiche e che le pareti siano non troppo scoscese. Il mancato rispetto delle specifiche per la buca può provocare un collasso indesiderato delle pareti di terra e l'instabilità del trampolino.
- Le gambe del tappeto elastico ne sorreggono il telaio. Assicurarsi che l'altezza delle gambe sia pareggiata e che poggino saldamente a terra. Ancorare le gambe con i picchetti in dotazione.
- Ispezionare regolarmente la buca sotto il tappeto elastico (almeno 1 volta all'anno) e, se necessario, intraprendere azioni correttive. Come indicato nelle istruzioni di montaggio, controllare che la buca abbia la giusta profondità e la giusta forma, nonché ispezionare la stabilità del telaio e se il tappeto elastico è ancora a livello del suolo. Ispezionare che non ci siano oggetti caduti o nascosti nella buca ed eventualmente rimuoverli.
- In alcuni paesi, il peso della neve in inverno e le temperature molto rigide possono danneggiare il tappeto elastico. BERG consiglia di rimuovere regolarmente la neve dal tappeto elastico.
- Quando il tappeto non è utilizzato per brevi periodi, è possibile coprirlo con una copertura BERG, che lo mantiene libero da foglie e ramoscelli. Quando il tappeto non è utilizzato per lunghi periodi (ad esempio durante l'inverno), si consiglia di conservare il bordo protettivo in un luogo asciutto per una maggiore durata del prodotto.

*Istruzioni per la manutenzione **FlatGround:***

- Dopo un periodo di pioggia e prima dell'uso, ispezionare la buca del tappeto elastico. Verificare la presenza di un adeguato sistema di scolo o canalizzazione per drenare l'acqua piovana.
- Come da schema nel manuale di installazione, utilizzare il metro da sarto incluso (nella confezione) per misurare e determinare il diametro, la profondità e la forma corrette della buca scavata.
- Ispezionare regolarmente la buca sotto il tappeto elastico (almeno 1 volta all'anno) e, se necessario, intraprendere azioni correttive. Come indicato nelle istruzioni di montaggio, controllare che la buca abbia la giusta profondità e la giusta forma, nonché ispezionare la stabilità del telaio e se il tappeto elastico è ancora a livello del suolo. Ispezionare che non ci siano oggetti caduti o nascosti nella buca ed eventualmente rimuoverli.



6. Garanzia

6.1 Periodo di garanzia

I tappeti elastici BERG sono di una qualità eccellente. Per offrirti tanti anni di spensieratezza e divertimento sui nostri tappeti elastici, BERG ti offre una garanzia di funzionalità. Una garanzia di funzionalità è una garanzia relativa all'utilizzo funzionale. Consultare la tabella sottostante per la durata di questa garanzia (espressa in anni).

Telaio	10
Telaio (previa registrazione del prodotto)	13 (10+3)
Imbottitura (Elite)	5
Imbottitura (Champion)	2
Materassino da salto	2
Molle	5
Rete di sicurezza	2

Ad eccezione della garanzia di 1 anno della custodia basic contro le intemperie BERG, le reti di protezione e gli accessori BERG sono coperti da una garanzia di 2 anni. Le parti suscettibili a usura (ad es. le componenti elastiche), le intemperie (che determinano ad esempio ruggine e scolorimento) e la schiuma sui tubi della rete di sicurezza BERG sono esclusi dalla garanzia.

6.2 Condizioni della garanzia

Il proprietario può far valere la garanzia solo presentando la prova di acquisto originale. La garanzia si applica solo ai difetti di materiale e di fabbricazione relativi al prodotto BERG e ai suoi componenti.

La garanzia risulta invalidata e inapplicabile se:

- Il prodotto è utilizzato in modo improprio e/o negligente.
- Il prodotto non è assemblato né mantenuto in conformità con il manuale delle istruzioni.
- Le riparazioni tecniche effettuate sul prodotto non vengono eseguite in modo professionale.
- I ricambi non corrispondono alle specifiche tecniche del prodotto o sono installati in modo errato.
- I danni sono causati dagli agenti atmosferici come ruggine, raggi UV o dalla normale usura.
- Il tappeto elastico BERG è stato infossato in modo improprio.
- Il prodotto è utilizzato per scopi di noleggio o è reso disponibile all'uso da parte di terzi.
- Durante il periodo di garanzia, tutti i difetti di materiale e di fabbrica accertati saranno oggetto di riparazione o sostituzione a spese di BERG. Le riparazioni gratuite sono eseguite a condizione che il prodotto rientri ancora nel periodo di garanzia come indicato nell'articolo 6.1.
- La garanzia BERG è onorata solo previa presentazione della prova di acquisto originale al rivenditore autorizzato BERG. Se il proprietario si è trasferito o il rivenditore BERG non è più operativo, BERG può consigliare un altro nominativo di rivenditore BERG.
- Se la garanzia non è rispettata, tutti i costi sostenuti restano a carico del proprietario.
- La garanzia non è trasferibile a terzi.

BERG



PRODUCT REGISTRATION

Desideri una garanzia supplementare gratuita?*

Non dimenticare di registrare subito il tuo prodotto online! Vai su **www.bergtoys.com/registration**.

La registrazione del prodotto ti dà diritto a 3 anni di estensione della garanzia sul telaio del tuo go-kart o trampolino. Questa estensione di garanzia si aggiunge alla garanzia standard sul telaio che riceverai.

*Per le condizioni, visita www.bergtoys.com/registration



www.bergtoys.com/registration



Índice

1. Introducción
2. Advertencia
3. Información
4. Instrucciones de uso
 - 4.1 Instrucciones de uso
 - 4.2 Saltos básicos
5. Instrucciones de montaje y mantenimiento
 - 5.1 Instalación y desmontaje
 - 5.2 Instrucciones de mantenimiento
6. Garantía
 - 6.1 Periodo de garantía
 - 6.2 Condiciones de la garantía

Esta cama elástica es apta para uso doméstico. Para saber qué modelos pueden utilizarse en espacios públicos (campamentos, parques de atracciones, restaurantes, etc.), visite www.bergtoys.com.

1. Introducción

Gracias por confiar en BERG para comprar una cama elástica. Sabemos que podrá aprovecharla y divertirse durante muchos años. Además de incentivarle a tener una vida activa, nuestras camas elásticas ayudan a reducir el estrés y mejoran la circulación de la sangre y el estado físico. ¡Es ideal para jóvenes de todas las edades! En este manual explicamos cómo montarla y usarla de forma segura durante muchos años. Saltar en la cama elástica no conlleva ningún riesgo siempre y cuando se respeten las instrucciones de seguridad. ¡Deseamos que tenga una experiencia activa y llena de diversión!

¡Atención! Este manual es adecuado para varios tipos de camas elásticas. Cuando leas el manual, presta atención a la información que se aplica a tu cama elástica.

2. Advertencia

Advertencia generales:

- Peso máximo del usuario:

Ø270	Ø330	Ø380	Ø430
70kg	100kg	110kg	120kg

- No apta para niños menores de 3 años. Peligro de caída.
- No apta para niños menores de 3 años. Peligro de asfixia; piezas pequeñas.
- Siga las instrucciones de montaje para instalar la cama elástica. Antes de usarla por primera vez, revísela bien.
- La cama elástica de BERG está pensada solo para exteriores.
- Lea las instrucciones detenidamente y guárdelas para futuras consultas.
- Solo un usuario. Peligro de colisión. Si la usan varias personas, podrían lesionarse gravemente.
- Quítese los zapatos
- No utilice la cama elástica si la zona de salto está mojada.
- Vacíese los bolsillos y deje lo que tenga en las manos antes de saltar.
- Salte siempre en el centro de la superficie.
- No coma mientras salta.
- No salga de la cama elástica de un salto.
- Haga paradas cada cierto tiempo.
- Asegúrese de que la cama elástica esté bien anclada y no la use si hay vientos fuertes.
- No haga volteretas. Si termina el salto de cabeza, puede lesionarse gravemente, incluso aunque esté en el centro de la superficie de salto.
- Es obligatorio contar con la supervisión de un adulto.
- Se prohíbe el uso de la cama elástica de BERG bajo los efectos del alcohol o las drogas.
- La espuma de protección se puede calentar si queda expuesta a la luz del sol; tenga cuidado.
- Mantenga la cama elástica alejada del fuego u otras fuentes de calor.
- Se prohíbe el uso de objetos obstaculizantes encima de la cama elástica.
- Debajo de la cama elástica no puede haber objetos, animales ni personas.
- Salte siempre en el centro de la superficie. Evite los bordes y la espuma de protección.
- Desaconsejamos los movimientos de fricción (p. ej.: deslizamientos) en la zona de salto y la espuma de protección, ya que la tinta del estampado podría manchar la piel o la ropa y es difícil de quitar. No obstante, la tinta cumple con los estrictos requisitos sobre el uso de productos químicos en juguetes, por lo que su ingestión o contacto con la piel no es perjudicial para la salud.

Advertencia sobre **Regular**:

- No es recomendable que niños menores de 6 años utilicen la cama elástica de BERG.
- Este modelo no está pensado para anclarse al suelo.
- Está prohibido instalar la cama elástica en superficies de cemento, asfalto o cualquier otro material duro o cerca de otras instalaciones de juego (como piscinas, columpios, toboganes, etc.).

Advertencia sobre **InGround**:

- En el caso de tener red de seguridad, es recomendable que la cama elástica la utilicen niños de más de 6 años.
- En el caso de no tener red de seguridad, es recomendable que la cama elástica la utilicen niños de más de 14 años.
- Para instalar la cama elástica hay que perforar el terreno. Si no sabe cómo hacerlo, pida ayuda a un profesional.
- Debajo de la cama elástica no puede haber objetos, animales ni personas. Si retira el borde protector, revise que no haya nada debajo antes de volver a colocarlo.
- Está prohibido instalar la cama elástica en superficies de cemento, asfalto o cualquier otro material duro o cerca de otras instalaciones de juego (como piscinas, columpios, toboganes, etc.).



Advertencia sobre FlatGround:

- En el caso de tener red de seguridad, es recomendable que la cama elástica la utilicen niños de más de 6 años.
- En el caso de no tener red de seguridad, es recomendable que la cama elástica la utilicen niños de más de 14 años.
- Para instalar la cama elástica hay que perforar el terreno. Si no sabe cómo hacerlo, pida ayuda a un profesional.
- Debajo de la cama elástica no puede haber objetos, animales ni personas. Si retira el borde protector, revise que no haya nada debajo antes de volver a colocarlo.

Advertencia sobre la red de seguridad:

- Antes de usar la cama elástica, asegúrese de que la entrada de la red esté totalmente cerrada.
- Está prohibido saltar por encima de la red.
- Está prohibido pasar por el espacio que hay entre la espuma de protección y la parte inferior de la red.
- La finalidad de la red es que pueda saltar con seguridad, así que no salte sobre ella, no se cuelgue de la red y no la trepe.
- Es importante que el usuario no lleve ropa que tenga ganchos, anillas, cordones o cualquier tipo de pieza suelta que pueda engancharse en la red.
- Está prohibido utilizar accesorios o piezas que no pertenecen a BERG en la red de seguridad.
- Está prohibido trepar por las barras de la red.
- La entrada de la red de seguridad es la única vía de entrada y salida de la cama elástica.
- Mantenga la red alejada del fuego.
- Cambie la red cada 5 años (o antes en caso de que pierda funcionalidad).
- Le recomendamos guardar la red si hay mucho viento.

3. Información

- Los productos BERG deben utilizarse como se indica en el manual. En caso de no respetar las instrucciones, el usuario podría sufrir lesiones graves y el producto podría dañarse. Lea todo el manual antes de usar la cama elástica. Allí encontrará Advertencia e instrucciones de uso y mantenimiento para que pueda disfrutar del producto de forma segura.
- Coloque el producto, como mínimo, a dos metros de distancia de árboles, vallas y cualquier otro elemento obstaculizante.
- Asegúrese de que haya siete metros de altura libre.
- Por motivos de seguridad y a menos que BERG lo apruebe, está prohibido hacer cualquier tipo de modificación en la cama elástica.

4. Instrucciones de uso

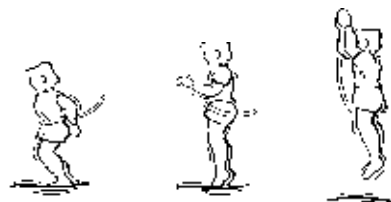
4.1 Instrucciones de uso

- Es fundamental tener la postura y el equilibrio correctos encima de la cama elástica. Para ello, tiene que activar los músculos correctos.
- Solo así podrá usar la cama elástica de BERG de forma segura. Saltar genera una serie de impactos en el cuerpo que tienen que absorberse bien. Al tensar los músculos podrá dominar mucho mejor el equilibrio y adaptarse a cada salto. Si, por el contrario, los relaja, perderá energía y no podrá saltar bien. Empiece con los saltos y las posiciones básicos y vaya añadiendo complejidad según vaya ganando experiencia. Para dejar de saltar, doble las rodillas cuando toque la zona de salto con los pies.
- Para dejar de saltar, flexione las rodillas cuando toque la zona de salto con los pies. Tiene que saber cómo parar antes de aprender otras técnicas de salto.
- Antes de probar movimientos más avanzados, le aconsejamos perfeccionar todas las posturas y saltos. Entre salto y salto puede poner en práctica distintas técnicas (solas o en combinación con otras).
- No salte demasiado alto. Primero tiene que controlar bien el aterrizaje en el centro de la zona de salto. Desde el punto de vista de la seguridad, el control es más importante que la altura.
- Tiene que saltar en una posición recta con la cabeza alineada con la espalda y la mirada en la zona de salto.
- Revise el estado de los muelles (para ver si están rotos o estirados) y las piezas que los unen a la estructura y la zona de salto. Tanto los muelles como el sistema de suspensión se desgastan con el tiempo, así que recuerde cambiarlos cuando sea necesario.

4.2 Saltos básicos

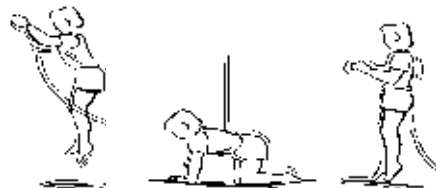
Salto básico

Adopte una postura erguida y mantenga cabeza en línea con la espalda. Dirija la mirada hacia la zona de salto. Al elevarse, mueva los brazos hacia delante haciendo un círculo y apunte los dedos de los pies hacia la esterilla. Al bajar, mantenga los pies juntos y mire hacia abajo. Cuando aterrice tiene que haber una distancia de 40 cm entre los pies.



Salto con manos y rodillas

Haga el salto básico. Dirija la mirada hacia la zona de salto. Mueva los brazos hacia delante haciendo un círculo. Aterrice apoyando las manos y las rodillas. Coja impulso con las manos y vuelva a la posición erguida.



Aterrizaje sentado

Haga el salto básico. Dirija la mirada hacia la zona de salto. Aterrice sentado. Cuando esté en esa posición, mantenga las manos junto a las caderas, apoyadas en la superficie. Coja impulso con las manos y vuelva a la posición erguida.



Aterrizaje sobre el abdomen

Haga el salto básico y aterrice sobre el abdomen. Mantenga la cabeza alineada con la espalda y los brazos extendidos hacia delante y sobre la superficie. Coja impulso con las manos y vuelva a la posición erguida.



Aterrizaje sobre la espalda

Haga el salto básico y aterrice sobre la espalda. Mantenga la barbilla pegada al pecho durante el aterrizaje. Coja impulso con las piernas y vuelva a la posición erguida.



5. Instrucciones de montaje y mantenimiento

5.1 Instalación y desmontaje

Montaje y desmontaje general:

- No instale la cama elástica si hay mucho viento; espere a que amaine.
- Recomendamos usar guantes durante el montaje.
- Instale la cama elástica sobre una superficie uniforme con la ayuda de un nivel.
- Puede que algunas de las piezas del producto vengan con tuercas autoblocantes, que son de un solo uso y deben cambiarse cada vez que monte y desmonte la cama elástica.
- A partir de la página 4 encontrará instrucciones sobre cómo instalar el producto.
- Para colocar los accesorios, siga las instrucciones del manual.
- En caso de querer trasladar la cama elástica a otro sitio (que esté cerca), primero tendrá que retirar las piezas de anclaje (si las hay). Para moverla se necesitan, idealmente, cuatro adultos, que tendrán que coger la cama por las guías superiores.
- Si quiere trasladarla a un lugar más alejado, tendrá que desmontarla por completo y guardarla en el embalaje original. Luego vuelva a montarla según las instrucciones de instalación.



*Montaje y desmontaje **InGround**:*

- Instale la cama elástica en un lugar donde no haya elementos obstaculizantes. Antes de proceder, revise el estado del terreno y el espacio elegido para asegurarse de que sean adecuados.
- Cuando cave el hoyo, fíjese si el suelo es firme. Si no lo es, la cama elástica podría derrumbarse debido a la erosión. Si es necesario, refuerce los laterales del hoyo o alíselos para evitar el derrumbe.
- Si el terreno es muy duro, le recomendamos elegir otro sitio o comunicarse con un profesional.
- Asegúrese de que el hoyo no se llene de agua subterránea y de que tenga un drenaje para el agua de lluvia.
- Asegúrese de que tenga un drenaje para el agua de lluvia.

*Montaje y desmontaje **FlatGround**:*

- Instale la cama elástica en un lugar donde no haya elementos obstaculizantes. Antes de proceder, revise el estado del terreno y el espacio elegido para asegurarse de que sean adecuados.
- Cuando cave el hoyo, fíjese si el suelo es firme. Si no lo es, la cama elástica podría derrumbarse debido a la erosión. Si es necesario, refuerce los laterales del hoyo o alíselos para evitar el derrumbe.
- Si el terreno es muy duro, le recomendamos elegir otro sitio o comunicarse con un profesional.
- Asegúrese de que el hoyo no se llene de agua subterránea y de que tenga un drenaje para el agua de lluvia.
- Asegúrese de que tenga un drenaje para el agua de lluvia.

5.2 Instrucciones de mantenimiento

Instrucciones generales de mantenimiento:

- Revise la cama elástica de BERG antes de cada uso como se indica en las instrucciones y cambie las piezas defectuosas, desgastadas o faltantes. Si no sigue las instrucciones y no realiza las tareas de mantenimiento necesarias, podría poner en riesgo al usuario. Comuníquese con su distribuidor o visite www.bergtoys.com para comprar piezas y accesorios originales.
- Asegúrese de que no haya juntas rotas, deformaciones ni partes que sobresalgan hacia fuera en la estructura de la cama elástica. Si así fuera, cámbielas antes de usar el producto.
- Revise el estado de los muelles (para ver si están rotos o estirados) y las piezas que los unen a la estructura y la zona de salto. Tanto los muelles como el sistema de suspensión se desgastan con el tiempo, así que recuerde cambiarlos cuando sea necesario.
- Revise los tornillos y ajústelos si están flojos. Asegúrese de que las conexiones (pasadores de presión) estén fijos y no se muevan al saltar sobre la cama elástica.
- Revise la superficie de salto para ver si está bien tensada o si tiene alguna rotura o costura floja. Tenga en cuenta que se irá desgastando con el uso y la exposición a la luz del sol. Cámbiela en cuanto vea que se empieza a deteriorar.
- Revise el estado de la espuma de protección y las piezas que la conectan a la estructura. Cámbiela si no está en buenas condiciones.
- Evite el uso de fertilizantes (líquidos, en gránulos, etc.) en un radio de dos metros alrededor de la cama elástica de BERG, ya que pueden dañar los materiales.
- Limpie la superficie de salto y la espuma de protección con un paño y agua fría o templada. Nunca utilice disolventes, líquido lavavajillas, detergente en polvo ni agua caliente.
- Deje las reparaciones en manos de profesionales. Comuníquese con uno de los distribuidores de BERG.

*Instrucciones de mantenimiento **Regular**:*

- Las ráfagas de viento intensas pueden hacer que la cama elástica se mueva de su sitio. Por ello, si hay previsión de vientos fuertes, le aconsejamos colocar elementos de peso (como postes o bolsas de arena) para anclarla al suelo.
- Asimismo, el peso de la nieve y las temperaturas gélidas pueden dañar la cama elástica. Si en su país se dan dichas condiciones, le aconsejamos guardar la superficie de salto y la red de seguridad en un lugar cerrado.
- Cuando el producto no esté en uso, asegúrese de que quede en un espacio seguro. Tome las medidas necesarias para evitar el uso no autorizado. Si tiene una escalera para subir a la cama elástica, guárdela cuando no esté en uso. Así evitará que los niños suban a la zona de salto sin supervisión.
- Si la cama elástica no va a usarse durante un periodo de tiempo corto, le recomendamos protegerla con una de nuestras fundas para evitar la acumulación de hojas y ramas. Si no la va a usar durante mucho tiempo (p. ej., en invierno), lo mejor es que guarde el producto en un lugar seco, sobre todo la espuma de protección.

Instrucciones de mantenimiento InGround:

- Si llueve, revise el hoyo antes de usar la cama elástica. Asegúrese de que tenga un drenaje para el agua de lluvia.
- Tal como se indica en el manual, utilice la cinta métrica (incluida) para determinar el diámetro, la profundidad y la forma que tiene que tener el hoyo. Cávelo como se indica en las instrucciones e intente que las paredes queden suavizadas. Si no sigue el manual, el terreno podría desplazarse y hacer que el producto no sea estable.
- Las patas de la cama elástica sostienen la estructura principal. Asegúrese de que todas estén a la misma altura y queden bien apoyadas en el suelo. Fíjelas con las estacas que vienen con el producto.
- Revise el hoyo al menos una vez al año y arréglole si es necesario. Tal como se indica en las instrucciones de montaje, tiene que ver si la cama elástica está nivelada y revisar la profundidad y la forma del hoyo, así como la estabilidad de la estructura. Asegúrese de que no haya objetos dentro del hoyo.
- Asimismo, el peso de la nieve y las temperaturas gélidas pueden dañar la cama elástica. BERG recomienda quitar la nieve en caso de que se acumule.
- Si la cama elástica no va a usarse durante un periodo de tiempo corto, le aconsejamos protegerla con una de nuestras fundas para evitar la acumulación de hojas y ramas. Si no la va a usar durante mucho tiempo (p. ej., en invierno), lo mejor es que guarde la espuma de protección en un lugar seco para extender su vida útil.

Instrucciones de mantenimiento FlatGround:

- Si llueve, revise el hoyo antes de usar la cama elástica. Asegúrese de que tenga un drenaje para el agua de lluvia.
- Tal como se indica en el manual, utilice la cinta métrica (incluida) para determinar el diámetro, la profundidad y la forma que tiene que tener el hoyo.
- Revise el hoyo al menos una vez al año y arréglole si es necesario. Tal como se indica en las instrucciones de montaje, tiene que ver si la cama elástica está nivelada y revisar la profundidad y la forma del hoyo, así como la estabilidad de la estructura. Asegúrese de que no haya objetos dentro del hoyo.



6. Garantía

6.1 Periodo de garantía

Nuestras camas elásticas son de excelente calidad. Para darle años de diversión y que no tenga que preocuparse de nada, BERG ofrece una garantía de funcionamiento, que no es más que una garantía que cubre la correcta usabilidad del producto. En esta tabla puede ver la duración de la garantía (expresada en años).

Estructura	10
Estructura (tras de registrar el producto)	13 (10+3)
Espuma de protección (Elite)	5
Espuma de protección (Champion)	2
Zona de salto	2
Muelles	5
Red de seguridad	2

A diferencia de la funda básica de BERG, que tiene un año de garantía, las redes de seguridad y los accesorios tienen una garantía de dos años. La garantía no cubre las piezas que se desgastan (p. ej., los elásticos), las consecuencias de la exposición a las condiciones climáticas (p. ej., óxido y decoloración) ni la espuma de los tubos de la red de seguridad.

6.2 Condiciones de la garantía

El dueño del producto solamente podrá acceder a la garantía presentando el comprobante original de compra. La garantía cubre defectos materiales y de fabricación de los productos y las piezas de BERG.

La garantía perderá su validez si:

- El producto se usa de forma indebida o negligente.
- El producto no se monta o no se le da mantenimiento como se especifica en el manual.
- Las reparaciones no las lleva a cabo un profesional.
- Las piezas de recambio no cumplen con las especificaciones técnicas o se instalan incorrectamente.
- El daño se debe a las inclemencias del tiempo (óxido, rayos UV) o al desgaste normal.
- El producto se fija en el suelo de forma incorrecta.
- Se alquila el producto o se permite que terceros lo utilicen.
- Durante el período de garantía, BERG reparará todos los defectos materiales y de construcción o entregará las piezas de recambio que correspondan. Tal como lo dispone el artículo 6.1, las reparaciones sin coste solo se realizarán mientras siga vigente el período de garantía.
- Solo se podrá exigir la garantía presentando el comprobante original de compra al distribuidor oficial de BERG. Si el dueño del producto se ha mudado o si el distribuidor ya no está operativo, BERG podrá recomendar una sucursal alternativa.
- El dueño del producto deberá pagar todos los gastos si incumple las condiciones de exigibilidad de la garantía.
- La garantía no es transferible a terceros.

BERG



PRODUCT REGISTRATION

¿Quieres una garantía suplementaria gratuita?*

¡No olvides registrar tu producto en línea de inmediato! Ve a
www.bergtoys.com/es/registration

El registro del producto te da derecho a 3 años de garantía extendida en el marco de los coches de pedales o camas elásticas. La garantía extendida se suma a la garantía estándar en el marco que recibas.

*Para las condiciones, visita www.bergtoys.com/es/registration



www.bergtoys.com/es/registration



BERGTOYS.COM

B/N sticker