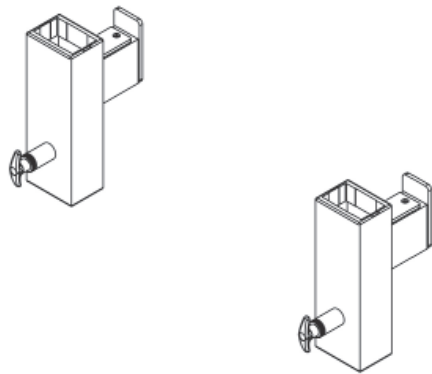


BODYCRAFT

Operating Instructions



Art. No. BC-F432

FSBCF433.01.01

1 GENERAL SAFETY INSTRUCTIONS

1.1 Personal Safety

⚠ DANGER

- + Before you start using the equipment, you should consult your physician that this type of exercise is suitable for you from a health perspective. Particularly affected are persons who: have a hereditary disposition to high blood pressure or heart disease, are over the age of 45, smoke, have high cholesterol values, are overweight and/or have not exercised regularly in the past year. If you are under medical treatment that affects your heart rate, medical advice is absolutely essential.
- + Note that excessive training can seriously endanger your health. Please also note that heart rate monitoring systems can be inaccurate. If you notice any signs of weakness, nausea, dizziness, pain, shortness of breath, or other abnormal symptoms, stop exercising immediately and seek advice from your doctor if necessary.

⚠ WARNING

- + This equipment may not be used by children under the age of 14.
- + Children should not be allowed unsupervised access to the equipment.
- + People with disabilities must have a medical license and must be under strict observation when using the equipment.
- + The equipment is strictly for use by one person at a time
- + Keep your hands, feet and other body parts, hair, clothing, jewellery and other objects well clear of moving parts.

⚠ CAUTION

- + Make sure that nobody is within the range of motion of the equipment during training so as not to endanger you or other persons.

▶ ATTENTION

- + Do not insert any objects of any kind into the openings of the device.

1.2 Set-Up Place

⚠ WARNING

- + Do not place the equipment in main corridors or escape routes.
- + To prevent fire, do not place the device near or in areas with high heat (e.g. near a heater).

⚠ CAUTION

- + Choose the set-up place so that there is sufficient space around the product. Please note that the product requires sufficient space to the rear when in the reclined position.

▶ ATTENTION

- + The device may only be used in one building, in sufficiently tempered and dry rooms (ambient temperatures between 10°C and 35°C). The equipment should not be used outdoors or in rooms with high humidity (over 70%) like swimming pools

2 TECHNICAL DATA

Product weight (incl. packaging):	2.8 kg
Packaging dimensions (LxWxH) approx.:	45 cm x 24 cm x 12 cm

Bodycraft Barbell Rack

5 OPERATION

① NOTICE

The barbell rack is compatible with the Bodycraft Power Rack F430.

Can be individually positioned on the Power Rack

Delivery: 1 pair

Can point inwards or outwards

Use the Bodycraft barbell rack for F430 as additional protection and holder for barbell training. The holders can be mounted on the inside or outside of the cage. Increase the flexibility and avoid time consuming replacing of the protections.



6 CARE, MAINTENANCE AND STORAGE

⚠ WARNING

The storage location should be chosen so that improper use by third parties or children can be prevented.

1. Clean the device with a dry soft cloth.
2. Store the device in the supplied carton in a dry environment.

7 WARRANTY INFORMATION

Training equipment from Bodycraft® is subject to strict quality control. However, if a fitness equipment purchased from us does not work perfectly, we take it very seriously and ask you to contact our customer service as indicated. We are happy to help you by phone via our service hotline.

Warranty period

The warranty periods, shown on our web shop, begin on delivery of the fitness equipment. The respective warranty periods for your equipment can be found on its product website.

Please refer to the website of your Bodycraft® device for the exact warranty conditions.

8 DISPOSAL

At the end of its operational life, this equipment cannot be disposed of in normal household waste. Instead, it must be disposed of via a recycling centre. Further information can be obtained from your local authority's recycling service.

Contact

DE TECHNIK

☎ +49 4621 4210-900

✉ technik@fitshop.de

SERVICE

☎ 0800 20 20277 (kostenlos)

✉ info@fitshop.de

UK CUSTOMER SUPPORT

☎ 00800 2020 2772

+49 4621 4210 944

✉ info@fitshop.co.uk

FR TECHNIQUE & SERVICE

☎ +33 (0) 189 530984

+49 4621 42 10 933

✉ info@fitshop.fr

DK TEKNIK OG SERVICE

☎ 80 90 16 50

+49 4621 4210-945

✉ info@fitshop.dk

ES TECNOLOGÍA Y SERVICIOS

☎ 911 238 029

✉ info@fitshop.es

BE TECHNIQUE & SERVICE

☎ 02 732 46 77

+49 4621 4210 933

✉ info@fitshop.be

NL TECHNISCHE DIENST & SERVICE

☎ +31 172 619961

✉ service@fitshop.nl

AT TECHNIK & SERVICE

☎ 0800 20 20277 (kostenlos)

+49 4621 42 10-0

✉ info@fitshop.at

CH TECHNIK & SERVICE

☎ 0800 202 027

+49 4621 42 10-0

✉ info@fitshop.ch

PL DZIAŁ TECHNICZNY I SERWIS

☎ 22 307 43 21

+49 4621 42 10-948

✉ info@fitshop.pl

INT TECHNICAL SUPPORT & SERVICE

☎ +49 4621 4210-944

✉ service-int@fitshop.de