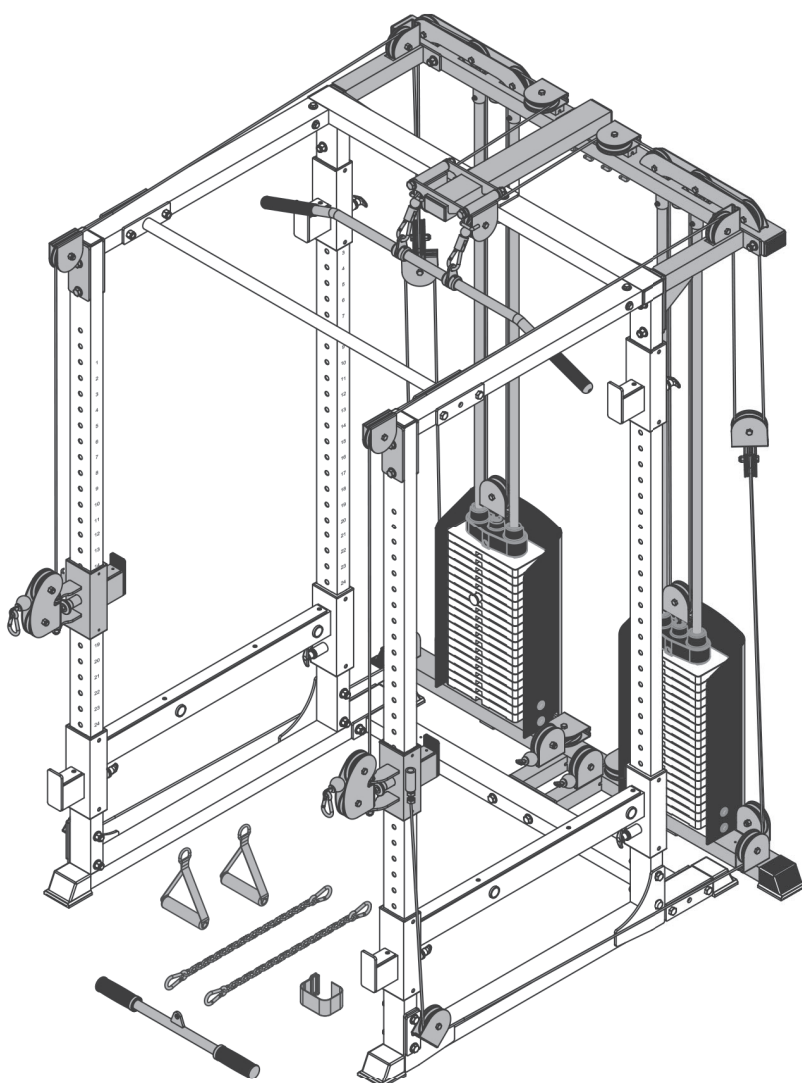


# BODYCRAFT

## Assembly Instructions



~ 210 Min.



214 / 259 kg

L 164 | W 151 | H 212

FSBCF438.01.01

Art. No. BC-F438

**BodyCraft** F438 RFT



# Content

<b>1</b>	<b>GENERAL INFORMATION</b>	<b>8</b>
1.1	Technical Data	8
1.2	Personal Safety	9
1.3	Set-Up Place	10
<b>2</b>	<b>ASSEMBLY</b>	<b>11</b>
2.1	General Instructions	11
2.2	Scope of Delivery	12
2.3	Assembly	14
2.4	Cable Adjustment	25
<b>3</b>	<b>STORAGE AND TRANSPORT</b>	<b>25</b>
3.1	General Instructions	25
<b>4</b>	<b>TROUBLESHOOTING, CARE AND MAINTENANCE</b>	<b>26</b>
4.1	General Instructions	26
4.2	Faults and Fault Diagnosis	26
4.3	Maintenance and Inspection Calendar	27
<b>5</b>	<b>DISPOSAL</b>	<b>27</b>
<b>6</b>	<b>RECOMMENDED ACCESSORIES</b>	<b>28</b>
<b>7</b>	<b>ORDERING SPARE PARTS</b>	<b>29</b>
7.1	Serial Number and Model Name	29
7.2	Parts List	30
7.3	Exploded Drawing	32
<b>8</b>	<b>WARRANTY</b>	<b>33</b>
<b>9</b>	<b>CONTACT</b>	<b>35</b>



**Dear customer,**

Thank you for choosing BodyCraft® training equipment. BodyCraft® inspires with its multifunctionality and excellent workmanship and is one of the highest quality fitness equipment for home use in terms of innovation and technology. BodyCraft® weight stations, for example, offer a very wide range of exercise possibilities. This ranges from traditional strength training such as bench presses to rehabilitation exercises and workouts for complex sports such as golf, tennis or badminton.

**Intended Use**

The equipment may only be used for its intended purpose.

The equipment is only suitable for home use. The equipment is not suitable for semi-professional (e.g. hospitals, associations, hotels, schools, etc.) and commercial or professional use (e.g. fitness studios).

**ⓘ NOTICE**

Please note that this particular equipment is a supplementary and optional accessory for the BodyCraft F430 power cage. The power cage is not included in the scope of delivery and must be purchased separately. This cable pull attachment is not compatible with any other machines.

**Disclaimer**

***BODYCRAFT***

BodyCraft® is a registered brand of the company Fitness Authority Industrial Co., LTD. All rights reserved. Any use of this trademark without the explicit written permission of Fitness Authority Industrial Co., LTD is prohibited.

Product and manual are subject to change. Technical data can be changed without advance notice.

## ABOUT THIS MANUAL

Please carefully read the entire manual before installation and first use. The manual will help you to quickly set up the system and explains how to safely use it. Make sure that all persons exercising with the equipment (especially children and persons with physical, sensory, mental or motor disabilities) are informed about this manual and its contents in advance. In case of doubt, responsible persons must supervise the use of the equipment.

Due to ongoing changes and software optimisations, the manual may have to be updated. If you notice any discrepancies during assembly or use, please refer to the manual uploaded to the webshop. The latest manual is always available there.



This equipment has been manufactured according to the latest safety knowledge. As far as possible, potential safety hazards which could cause injury have been eliminated. Make sure to carefully follow the instructions and that all parts are securely in place. If required, read through the instructions again to correct any mistakes.

Training devices must be classified according to accuracy and use. Accuracy classes are only applicable to devices that display training data.

### Accuracy classes

Class A: high accuracy.

Class B: medium accuracy.

Class C: low accuracy.

The use classes explain the intended use of the training device.

### Use classes

**Class S** (studio): professional and/or commercial use.

These training devices are intended for the use in training rooms of facilities such as sports clubs, school facilities, hotels, clubs and studios whose access and supervision is specifically regulated by the owner (person with legal responsibility).

**Class H** (home use): use at home.

These stationary training devices are intended for the use in private homes where access to the training device is regulated by the owner (person with legal responsibility).

Please pay close attention to the safety and maintenance instructions given here. The contract partner cannot be held liable for damage to health, accidents or damage to the equipment when it is not used in accordance with these instructions.

The following safety instructions may appear in this manual:

► **ATTENTION**

This notice indicates potentially hazardous situations which, if not avoided, may result in property damage.

⚠ **CAUTION**

This notice indicates potentially hazardous situations which, if not avoided, may result in slight or minor injuries!

⚠ **WARNING**

This notice indicates potentially hazardous situations which, if not avoided, may result in death or serious injuries!

⚠ **DANGER**

This notice indicates potentially hazardous situations which, if not avoided, will result in death or serious injuries!

ⓘ **NOTICE**

This notice indicates further useful information.

Retain these instructions in a safe place for future reference, maintenance or when ordering replacement parts.

## 1.1 Technical Data

### **NOTICE**

The following technical data are only valid for the cable pull attachment F438. If the data for the F430 is needed, please refer to the manual of the F430 where the respective data is included.

### Weight and Dimensions

Package dimensions (L x W x H) and weight (gross, incl. packaging) approx.:

Box 1:	148 cm x 40 cm x 19 cm	45 kg
Box 2:	90 cm x 40 cm x 19 cm	41 kg
Box 3:	200 cm x 7 cm x 7 cm	9 kg

Weight plates (2 x 67.5 kg weight stack)

Box (4x)	28 cm x 19 cm x 15 cm	33 kg
----------	-----------------------	-------

Weight plates (2 x 90 kg weight stack)

Box (4x)	28 cm x 19 cm x 15 cm	33 kg
Box (2x)	27 cm x 14 cm x 13 cm	23 kg

Set-up dimensions (L x W x H) approx.:

165 cm 151 cm x 212 cm

Article weight (gross, incl. packaging) approx.:

227 kg / 273 kg

Article weight (net, excl. packaging) approx.:

213.5 kg / 258.5 kg

### Weight Stack

Quantity:	2
Weight per weight stack:	67.5 kg / 90 kg
Quantity of weight plates:	14+1 / 19+1
Weight of one weight plate:	4.5 kg
Cable material:	Steel
Cover material:	Plastic
Cable length:	720 cm ; 598 cm
Pulley diameter:	90 mm
Transmission ratio:	2:1

Use class: H



## 1.2 Personal Safety

### **DANGER**

- + Before you start using the equipment, you should consult your physician that this type of exercise is suitable for you from a health perspective. Particularly affected are persons who: have a hereditary disposition to high blood pressure or heart disease, are over the age of 45, smoke, have high cholesterol values, are overweight and/or have not exercised regularly in the past year. If you are under medical treatment that affects your heart rate, medical advice is absolutely essential.
- + Note that excessive training can seriously endanger your health. Please also note that heart rate monitoring systems can be inaccurate. If you notice any signs of weakness, nausea, dizziness, pain, shortness of breath, or other abnormal symptoms, stop exercising immediately and seek advice from your doctor if necessary.
- + The owner must communicate all warnings and instructions to the user.

### **WARNING**

- + This equipment may not be used by children under the age of 14.
- + Children should not be allowed unsupervised access to the equipment.
- + Persons with disabilities must have a medical license and must be under strict observation when using the equipment.
- + The equipment is strictly for use by one person at a time.
- + Keep your hands, feet and other body parts, hair, clothing, jewellery and other objects well clear of moving parts.
- + During use, wear suitable sports clothing rather than loose or baggy clothing. When wearing sports shoes, make sure they have suitable soles, preferably made of rubber or other non-slip materials. Shoes with heels, leather soles, studs or spikes are unsuitable. Never exercise barefoot.
- + Always start each workout with a light warm-up and end with a cool-down phase.
- + Using the machine as a support during stretching exercises or attaching resistance bands, ropes or other accessories to it, may cause injuries.

### **CAUTION**

- + If your equipment needs to be connected to the power supply with a mains cable, make sure that the cable is not a potential tripping hazard.
- + Make sure that nobody is within the range of motion of the equipment during training so as not to endanger you or other persons.
- + Be aware that if adjustment devices are left protruding, they may impede the user's movement.
- + The weights should remain in the user's field of vision during the entire exercise to prevent danger to third parties.

### **ATTENTION**

- + Do not insert any objects of any kind into the openings of the device.

## 1.3 Set-Up Place

### **WARNING**

- + Do not place the equipment in main corridors or escape routes.

### **CAUTION**

- + Choose a location in which to place the equipment such that there is enough free space/clearance to the front, the rear and to the sides of the equipment.
- + The training room should be well ventilated during training and not be exposed to any draughts.
- + Choose the place in which to set up the equipment such that there is enough free space/clearance to the front, the rear and to the sides of the equipment.
- + The free area in the direction from which the exercise equipment is accessed must be at least 0.6 m larger than the exercise area.
- + The set-up and mounting surface of the equipment should be flat, loadable and solid.
- + If your device is to be mounted on the wall/ceiling, make sure that you use the appropriate assembly material to avoid possible damages or personal injuries. The contractual partner accepts no liability for this.

### **ATTENTION**

- + The device may only be used in one building, in sufficiently tempered and dry rooms (ambient temperatures between 10°C and 35°C). The equipment should not be used outdoors or in rooms with high humidity (over 70%) like swimming pools.
- + A floor protective mat/equipment underlay can help to protect high-quality floor coverings (parquet, laminate, cork, carpets) from dents and sweat and can help to level out slight unevenness.
- + For Class S equipment, the exercise equipment may only be used in areas where access, supervision and control are specifically regulated by the owner.

### 2.1 General Instructions



#### **DANGER**

- + Do not leave any tools, packaging materials such as foils or small parts lying around, as otherwise there is a danger of suffocation for children. Keep children away from the equipment during assembly.



#### **WARNING**

- + Pay attention to the instructions attached to the equipment in order to reduce the risk of injuries.



#### **CAUTION**

- + Ensure to have sufficient room for movement in each direction during assembly.
- + The assembly of the equipment must be carried out by at least two adults. If in doubt, seek the help of a third technically skilled person.



#### **ATTENTION**

- + To prevent damage to the equipment and the floor, assemble the equipment on a mat or packaging board.



#### **NOTICE**

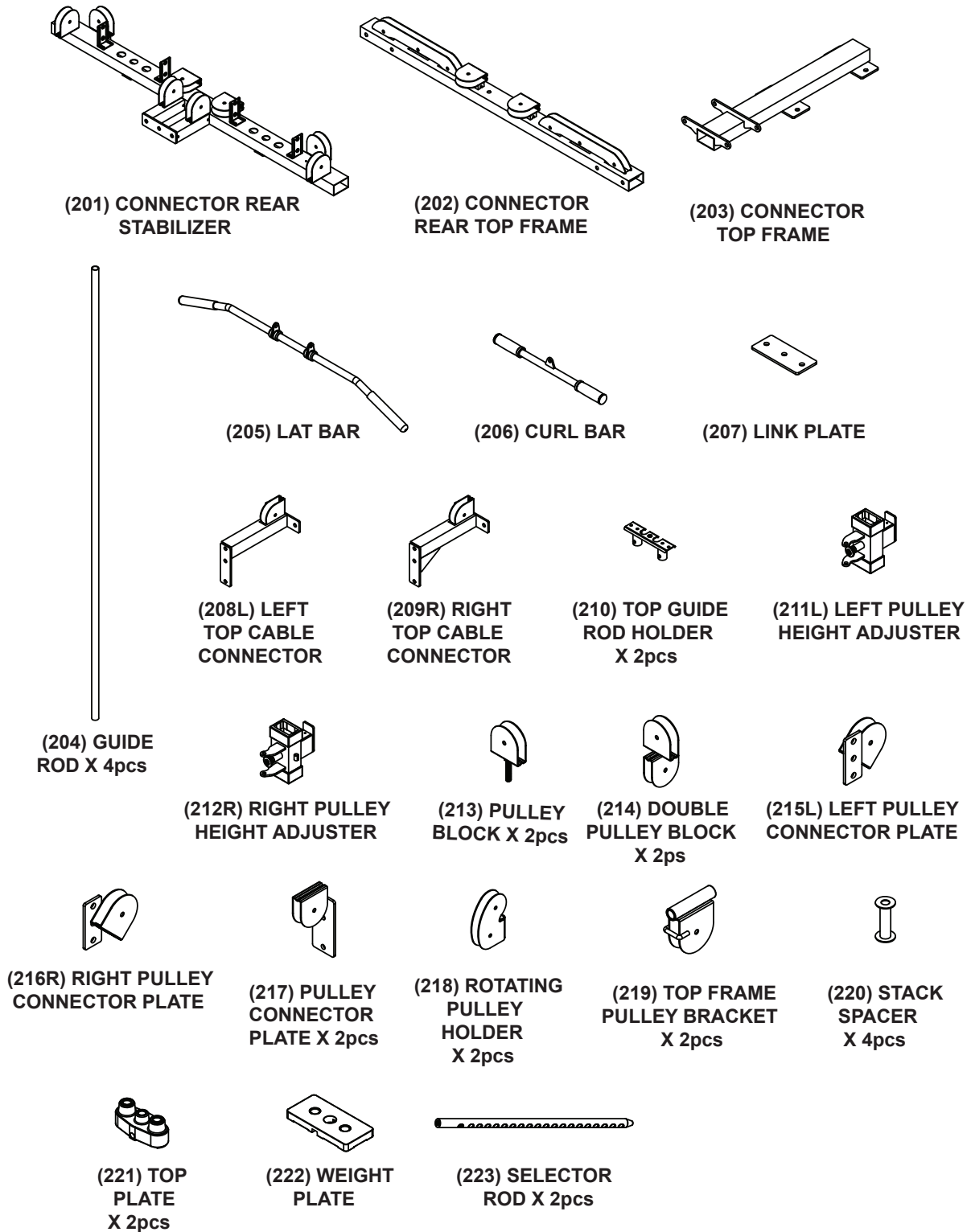
- + In order to make the assembly as simple as possible, some screws and nuts to be used can already be pre-assembled.
- + Ideally, assemble the equipment at its later set-up place.

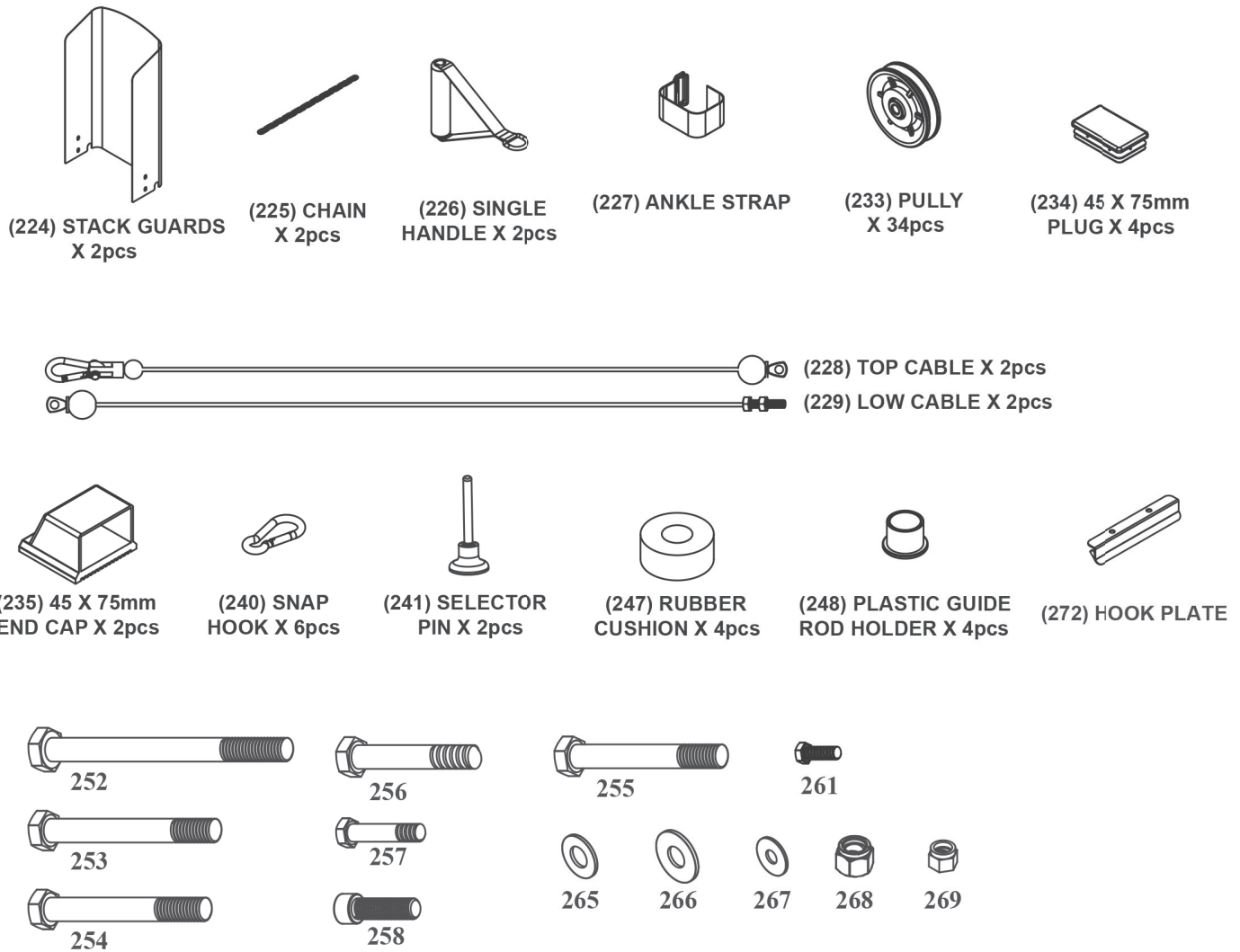
## 2.2 Scope of Delivery

The scope of delivery consist of the following parts. At the beginning, check whether all parts and tools belonging to the device are included in the scope of delivery and whether damage has occurred. In the event of complaints, the contractual partner must be contacted directly.

### CAUTION

If parts of the scope of delivery are missing or damaged, the assembly must not be carried out.





NO.	DESCRIPTION	QTY.
252	1/2" X 6" HEX BOLT (PRE-MOUNTED)	2
253	1/2" X 4-1/2" HEX BOLT	2
254	1/2" X 4-1/4" HEX BOLT	8
255	1/2" X 3-3/4" HEX BOLT	2
256	1/2" X 3" HEX BOLT	12
257	3/8" X 1-3/4" HEX BOLT	34
258	TOP PLATE BOLT	2
261	5/16" X 1/2" HEX THREADED BOLT	8
265	1/2" SMALLER WASHER	8
266	1/2" LARGER WASHER	42
267	5/16" WASHER	8
268	1/2" NYLON NUT	24
269	3/8" NYLON NUT	32

## 2.3 Assembly

Before assembly, take a close look at the individual assembly steps shown and carry out the assembly in the order given.

### **① NOTICE**

- + First loosely screw all parts together and check that they fit properly. Tighten the screws using the tool only when you are instructed to do so.
- + If you have difficulty recognising the graphics, we recommend that you open and/or download the PDF instructions stored in the webshop on your end device (e.g. smartphone, tablet or PC). There you have the option of zooming in closer. Please note that the Adobe Acrobat Reader programme must be installed on your end device in order to open the file.

### **① NOTICE**

To enable the assembly of the F438 cable pull attachment, a few parts of the already mounted power cage must be removed and remounted. Some of the parts referred to are from the power cage itself.

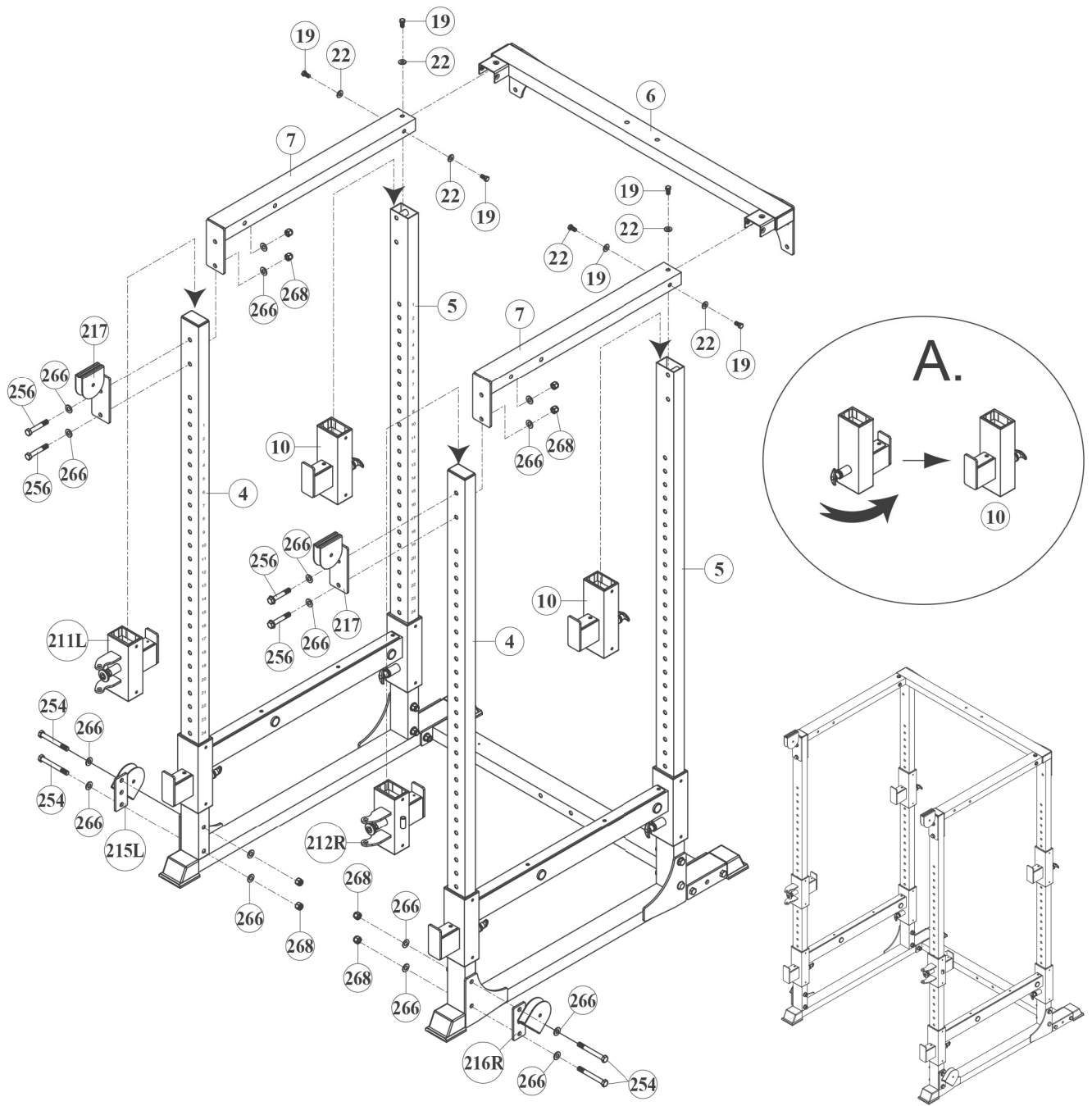
### **Step 1: Assembly of the Pulley Height Adjusters**

1. Remove the bolts, washers and nuts from the previously mounted top frames (6 & 7) on the power cage and remove the top frames (6 & 7).

#### **▶ ATTENTION**

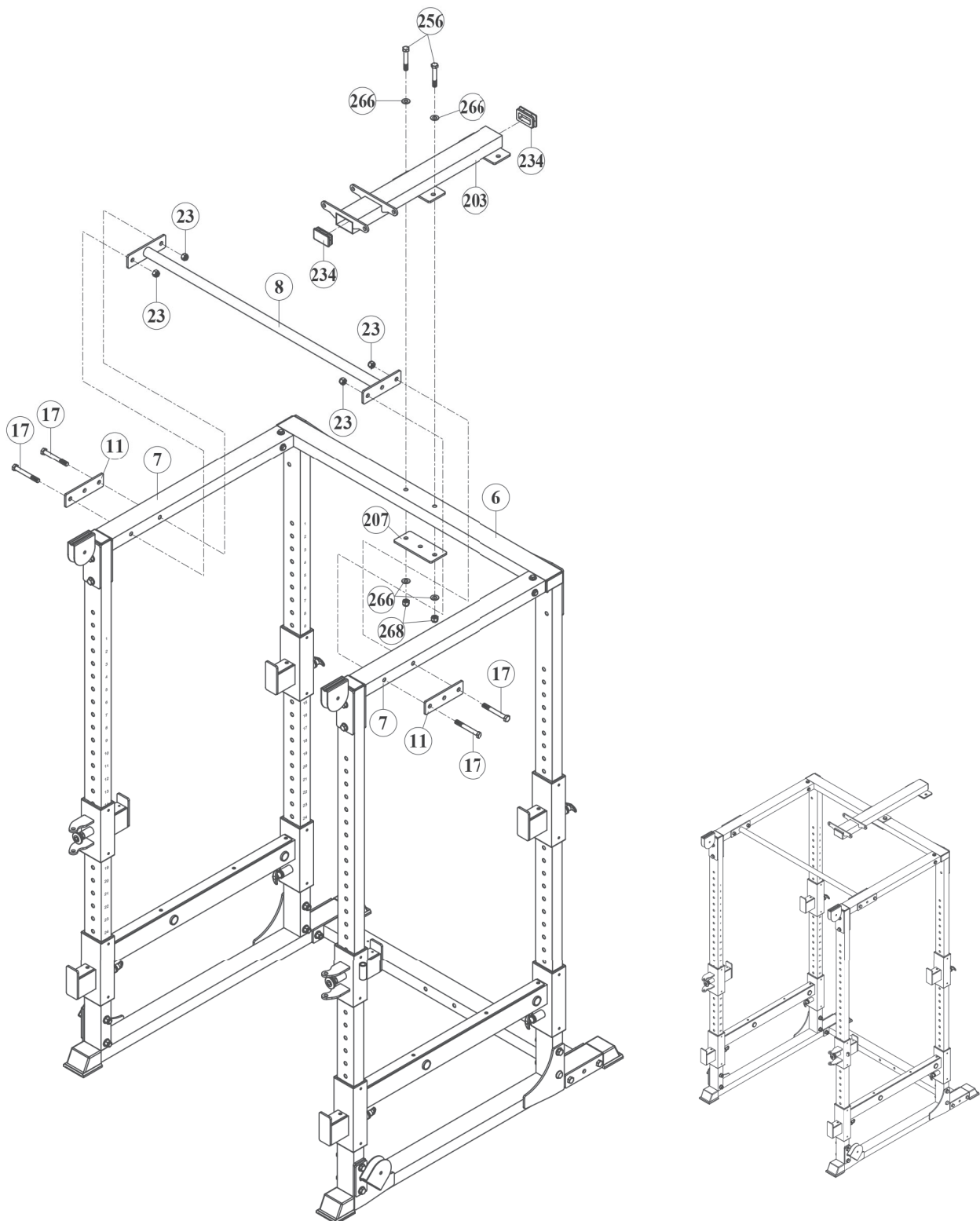
Keep the bolts, washers and nuts that were attached to the rear uprights (5). They will be needed again.

2. Remove the two bar catches (10) from the front uprights (4). Rotate the bar catches (10) like shown in figure A and then slide them over the rear uprights (5).
3. Slide the left and right pulley height adjuster (211L & 212R) onto the respective front upright (4).
4. Remount the top frames (6 & 7) to the rear uprights (5) with the previously removed bolts, washers and nuts.
5. Mount the top frames (7) to the front uprights (4) along with the pulley connector plates (217) using a total of four hex bolts (256), eight larger washers (266) and four nylon nuts (268).
6. Mount the left and right pulley connector plates (215L & 216R) to the outside of the front uprights (4) using a total of four hex bolts (254), eight larger washers (266) and four nylon nuts (268).
7. Tighten all bolts and nuts.



## Step 2: Assembly of the Connector Top Frame

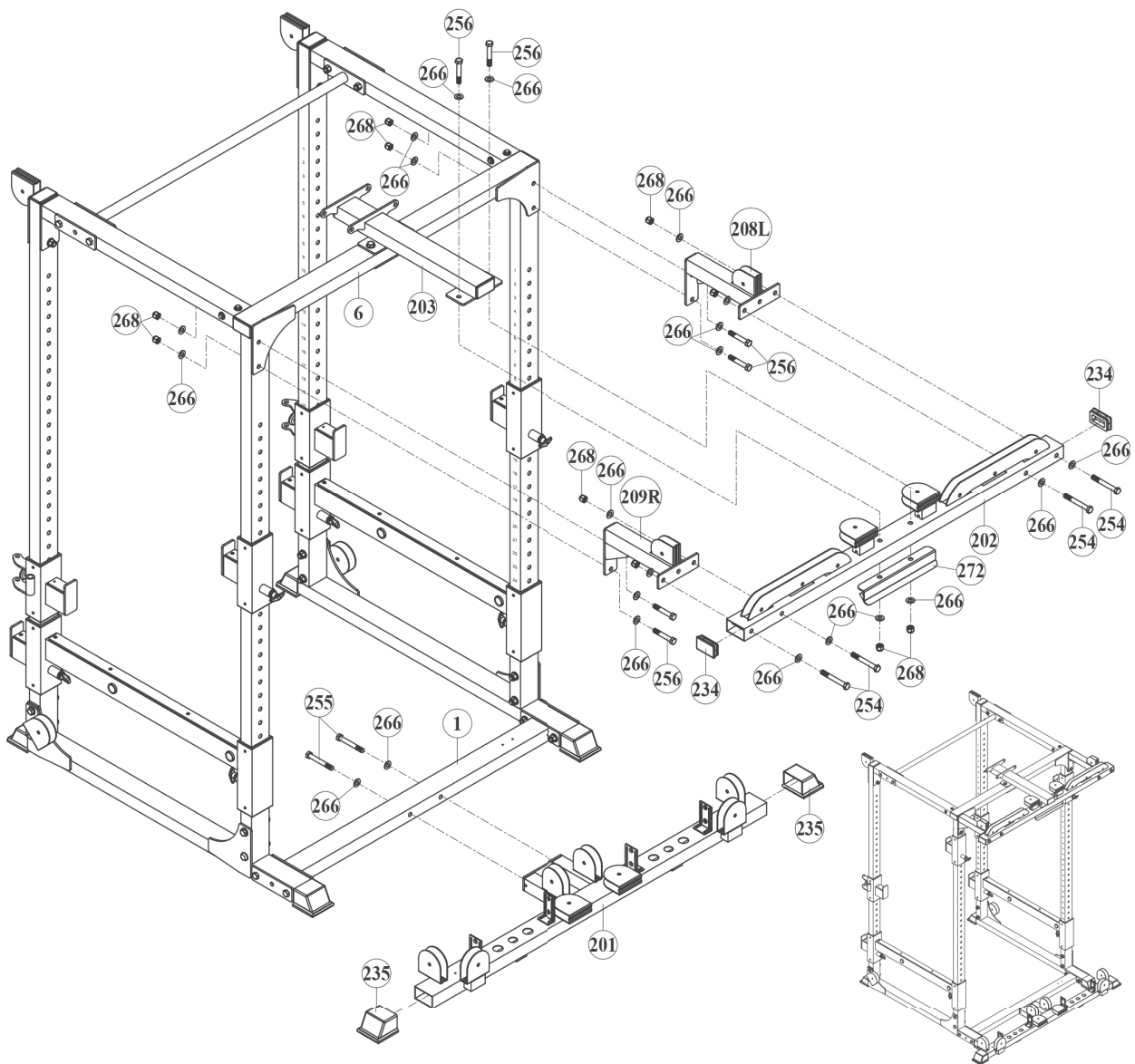
1. Insert two plugs (234) into the ends of the connector top frame (203).
2. Mount the connector top frame (203) to the rear top frame (6) along with the link plate (207) using a total of two hex bolts (256), four larger washers (266) and two nylon nuts (268).
3. Tighten all bolts and nuts.





### Step 3: Assembly of the Connector Rear Top Frame

1. Attach two end caps (235) to the connector rear stabilizer (201) and mount the connector rear stabilizer (201) to the rear stabilizer (1) using two hex bolts (255) and two larger washers (266).
2. Mount the left and right top cable connector (208L & 209R) to the connector rear top frame (202) using a total of four hex bolts (254), eight larger washers (266) and four nylon nuts (268).
3. Mount the connector rear top frame (202) to the rear uprights (5) using a total of four hex bolts (256), eight larger washers (266) and four nylon nuts (268).
4. Mount the connector rear top frame (202) along with the hook plate (272) to the connector top frame (203) using two hex bolts (256), four larger washers (266) and two nylon nuts (268).
5. Tighten all bolts and nuts.



## Step 4: Assembly of the Weight Stacks

### ► ATTENTION

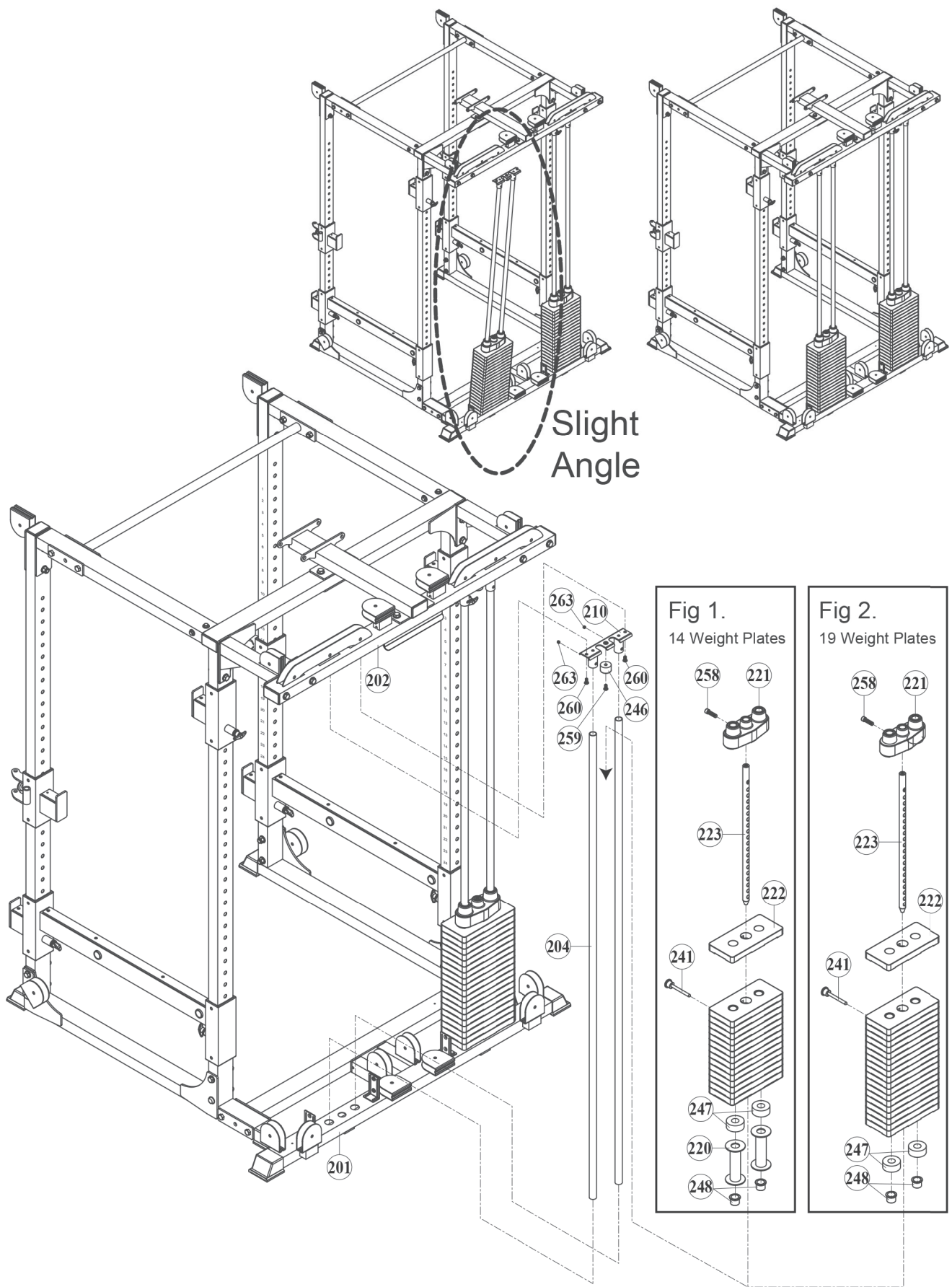
- + It is recommended to mount one weight stack at a time.
- + If you have 19 weight plates per weight stack, do not install the stack spacers (220) (fig. 1&2).

1. Insert two plastic guide rod holders (248) into the respective slots of the connector rear stabilizer (201).
2. Only for 14 weight plates: Slide the stack spacers (220) over each guide rod (204) (fig. 1). Do not install the stack spacers (220) if you have 19 weight plates (fig. 2).
3. Slide one rubber cushion (247) on top over each guide rod (204), then insert the guide rods (204) into the plastic guide rod holders (248).

### ⚠ CAUTION

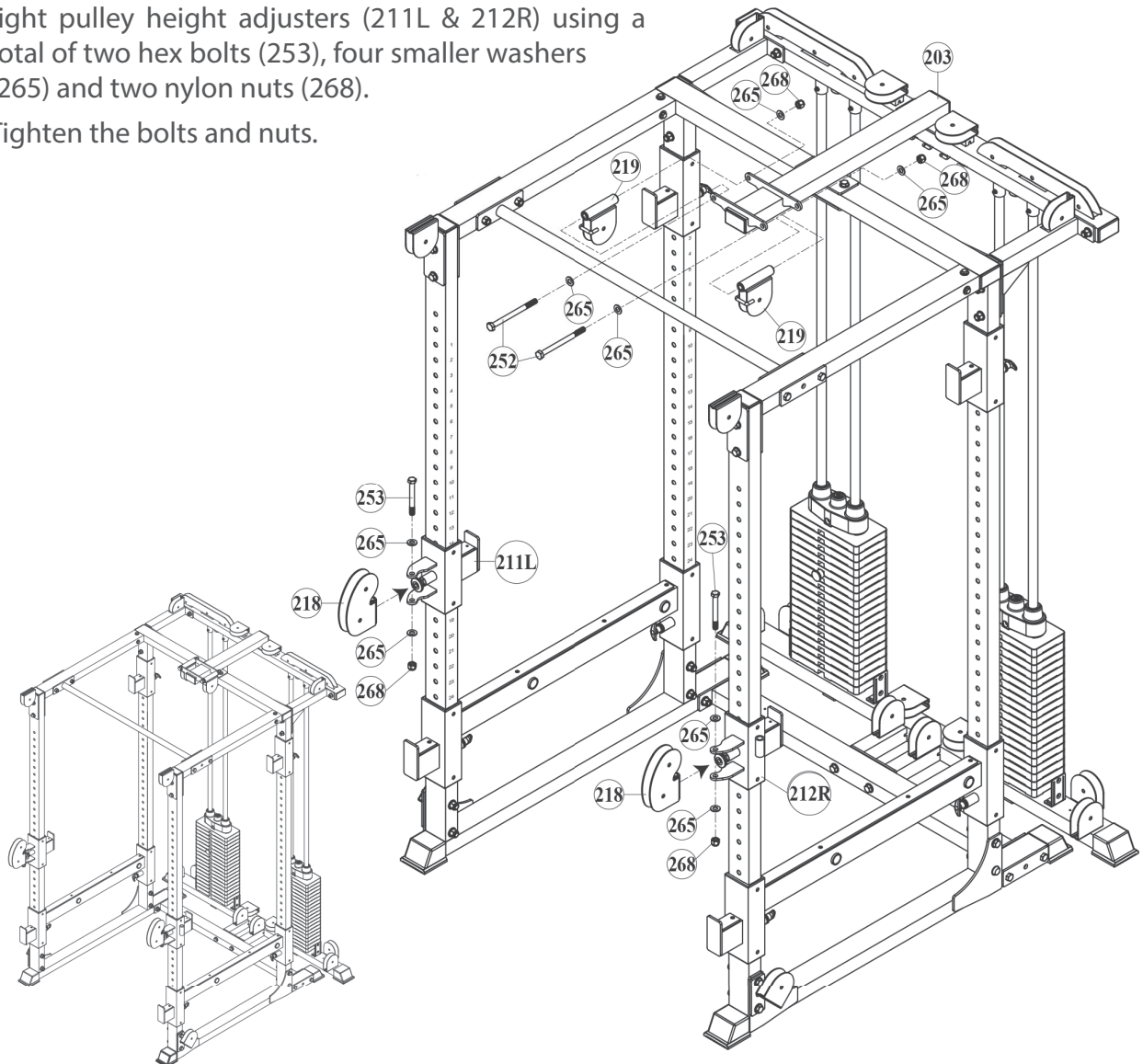
Do not perform the following steps alone.

4. Slightly tilt the guide rods (204) and carefully slide each of the weight plates (222) over the guide rods (204) one by one. Make sure the selector holes are facing down and towards the front.
5. Mount the top plate (221) to the selector rod (223) using the top plate bolt (258) and tighten the bolt.
6. Insert the selector rod (223) through the center hole of the weight stack.
7. Mount the top plate guide rod holder (210) to the guide rods (204) using two inner hex screws (263).
8. Mount the top plate guide rod holder (210) along with the guide rods (204) to the connector rear top frame (202) with two hex socket dome bolts (260). Tighten the stopper (246) with one hex socket dome bolt (259).
9. Insert the selector pin (241) in one of the selector holes of the weight stack.
10. Repeat the steps 1 to 9 with the second weight stack.
11. Tighten all bolts and screws.



## Step 5: Assembly of the Rotating Pulley Holders

1. Mount the top frame pulley brackets (219) to the connector top frame (203) using a total of two hex bolts (252), four smaller washers (265) and two nylon nuts (268).
2. Mount the rotating pulley holders (218) to the left and right pulley height adjusters (211L & 212R) using a total of two hex bolts (253), four smaller washers (265) and two nylon nuts (268).
3. Tighten the bolts and nuts.



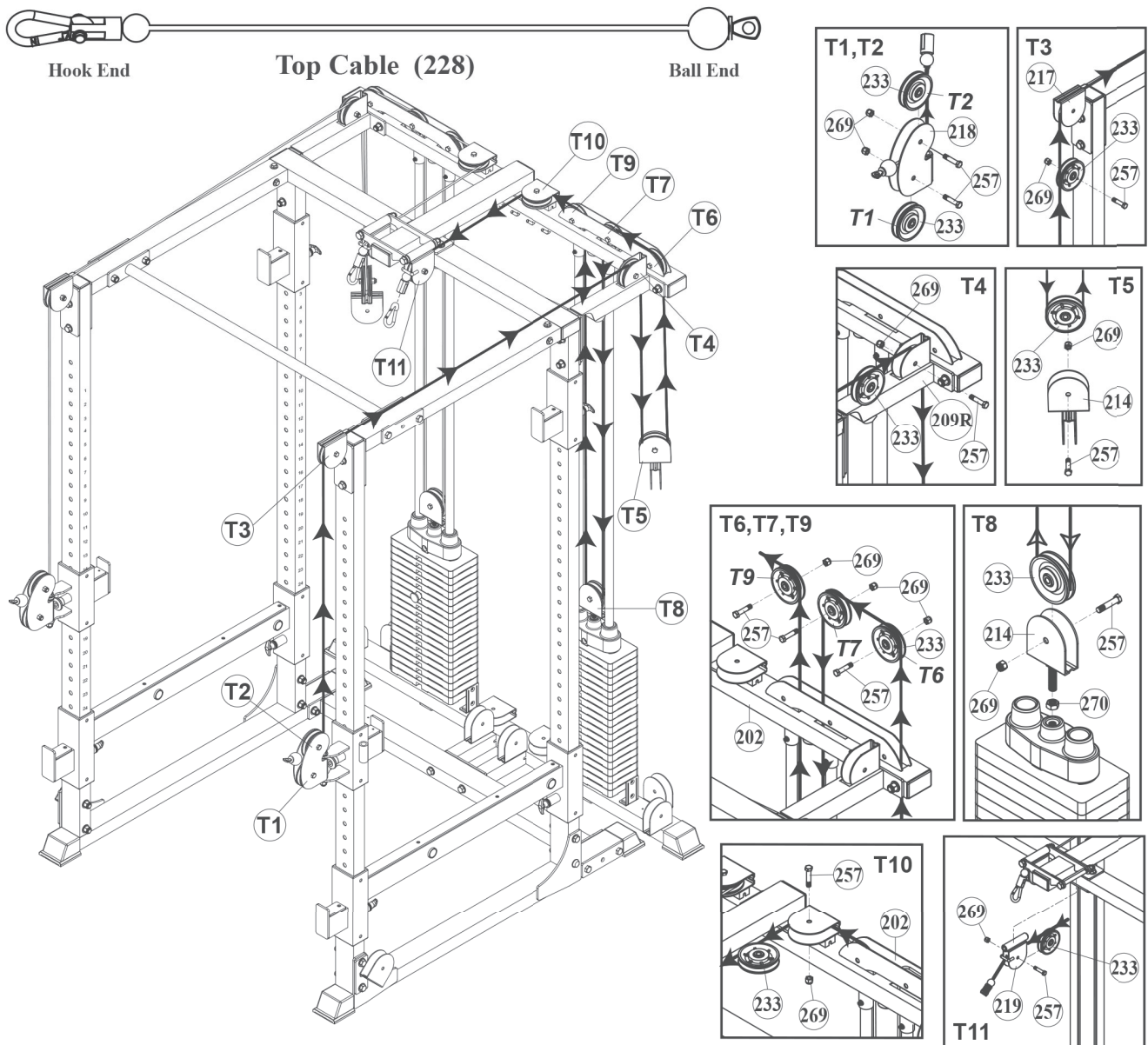
## Step 6: Assembly of the Top Cables

### **NOTICE**

The cables and pulleys must be mounted simultaneously.

1. Fix the ball end of the top cable (228) to the rotating pulley holder (218), over T1 and under T2. Mount the pulleys (233) with one hex bolt (257) and one nylon nut (269) each.
2. Guide the cable upwards and over T3 (217) and T4 (209R). Mount the pulleys (233) with one hex bolt (257) and one nylon nut (269) each.
3. Guide the cable downwards and under T5 (214). Mount one pulley (233) with one hex bolt (257) and one nylon nut (269).

4. Guide the cable up and over T6 and T7 (202). Mount the pulleys (233) with one hex bolt (257) and one nylon nut (269) each.
5. Guide the cable down and under T8 (214) and screw the pulley block (214) at least 1/3 into the slot on the weight stack and tighten the nut (270). Mount the pulley (233) with one hex bolt (257) and one nylon nut (269).
6. Guide the cable up and over T9 and around T10 (202). Mount the pulleys (233) with one hex bolt (257) and one nylon nut (269) each
7. Guide the cable over T11 (219). Mount the pulley (233) with one hex bolt (257) and one nylon nut (269).
8. Repeat the steps 1 to 7 on the left side.
9. Tighten all bolts and nuts.





## Step 7: Assembly of the Lower Cables

### **ⓘ NOTICE**

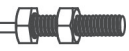
The cables and pulleys must be mounted simultaneously.

1. Insert the ball end of the low cable (229) through the pulley holder on the connector rear stabilizer (201) and under L1. Mount one pulley (233) with one hex bolt (257) and one nylon nut (268).
2. Guide the cable around L2 (201). Mount one pulley (233) with one hex bolt (257).
3. Guide the cable under L3 (201). Mount one pulley (233) with one hex bolt (257) and one nylon nut (268).
4. Guide the cable up and over L4 (214). Mount one pulley (233) with one hex bolt (257) and one nylon nut (268).
5. Guide the cable down and under L5 (201). Mount one pulley (233) with one hex bolt (257) and one nylon nut (268).
6. Guide the cable under L6 (216R). Mount one pulley (233) with one hex bolt (257) and one nylon nut (268).
7. Guide the cable up to L7 and screw the bolt end of the cable into the slot of the right pulley height adjuster (212R).
8. Repeat the steps 1 to 7 on the left side.
9. Tighten all bolts and nuts.

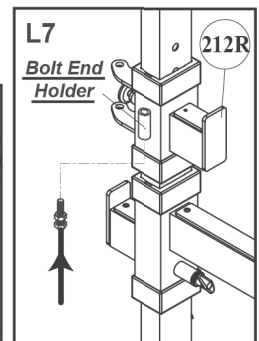
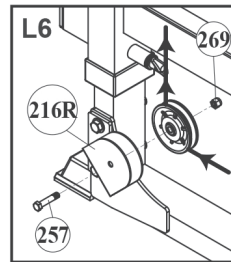
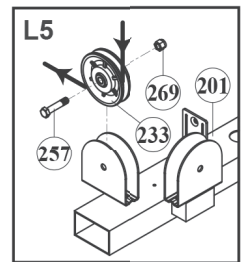
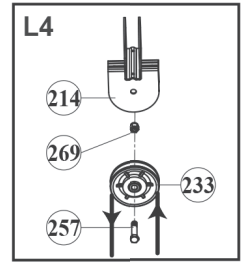
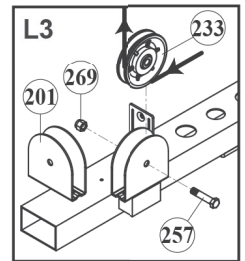
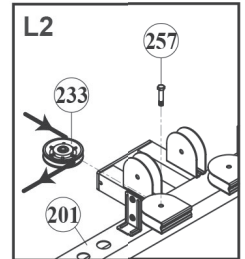
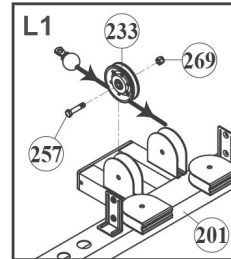
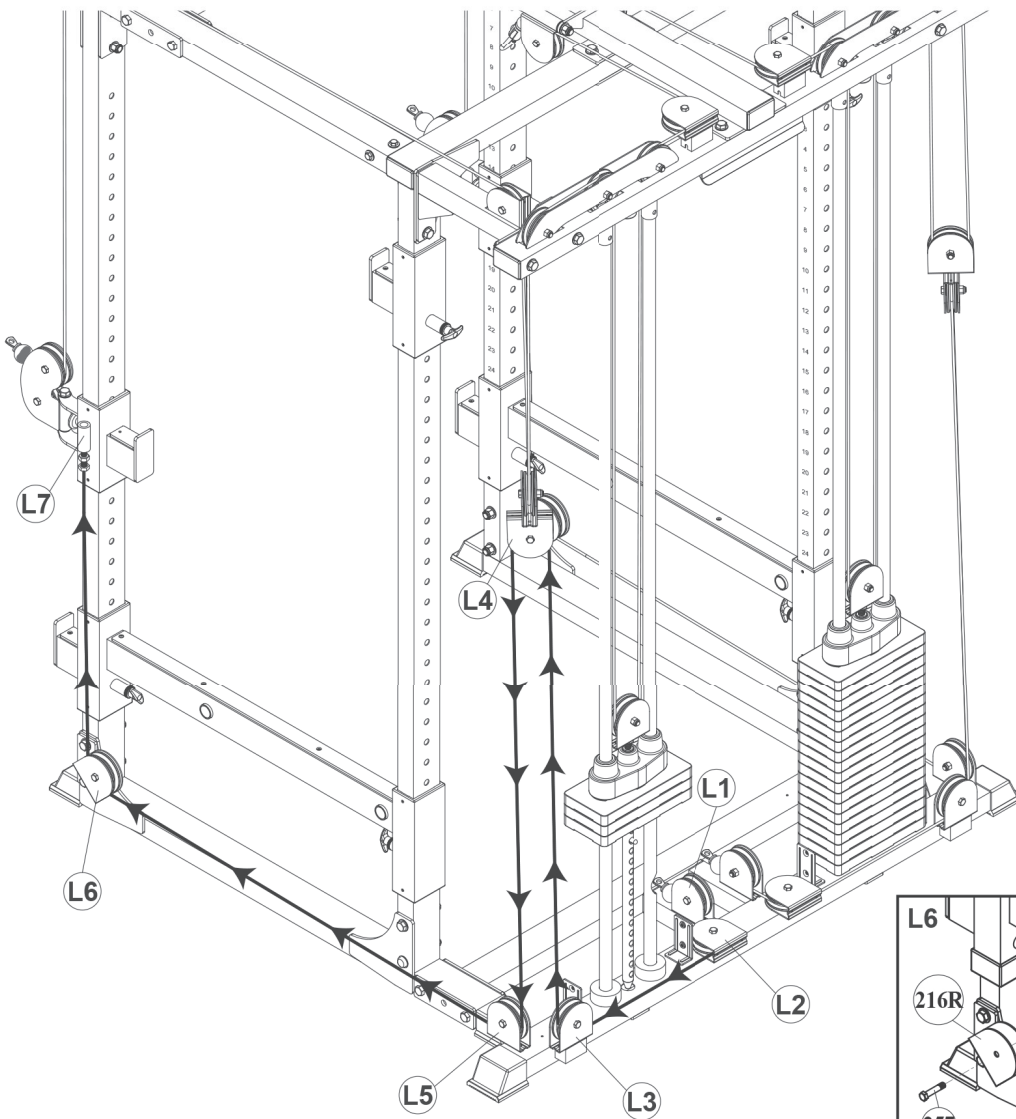


Ball End

# Low Cable (229)



Bolt End



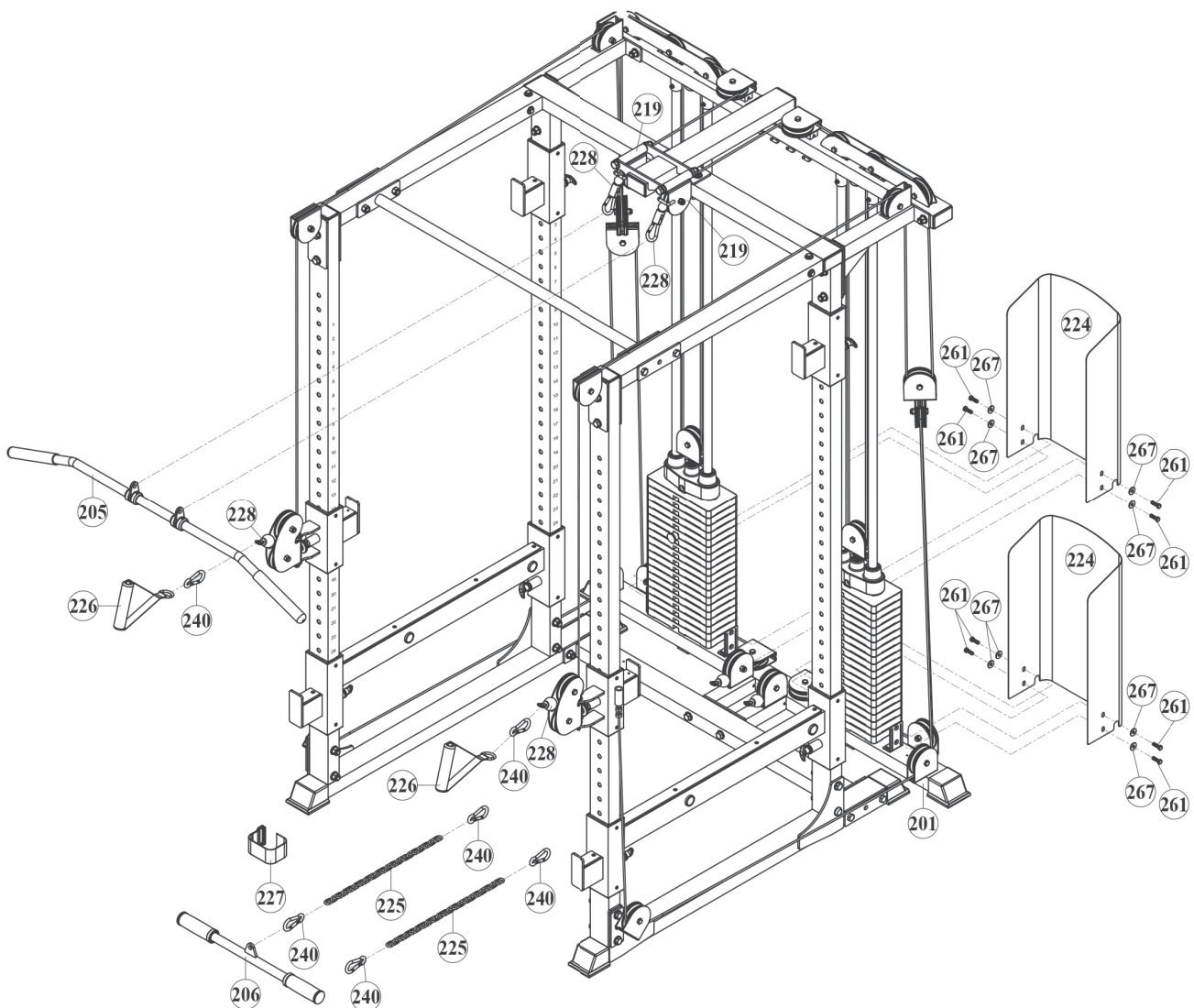
## Step 8: Assembly of the Weight Panels and Accessories

1. Mount two weight panels (224) to the connector rear stabilizer (201) using a total of eight hex socket dome bolts (261) and eight washers (267).
2. Attach the lat bar (205) to the snap hook of the top cable (228).
3. Attach two handles (226) to the top cables (228) at the height adjusters (211L & 212R) using one snap hook (240) each.
4. Attach the ankle strap (227) and the curl bar (206) to the low cable (229) using one snap hook (240) each.

**NOTICE**

Alternatively, a chain (225) can be attached between two snap hooks (240) for extension.

5. Tighten all bolts and nuts.





## 2.4 Cable Adjustment

The cables should be tensioned so that the top weight plate is just resting on the other weight plates. As soon as the top weight plate does not rest on the other weight plates, the cable should be extended. As soon as the cable slackens, the cable must be shortened.

1. To tension or loosen the cable, first remove the pulley from the pulley block on the weight stack.
2. Now turn the pulley block further out to loosen the cable or further in to tension the cable.
3. Remount the pulley with the cable in the pulley block and tighten the bolts and nuts.

## 3 STORAGE AND TRANSPORT

---

### 3.1 General Instructions

#### **WARNING**

- + The storage location should be chosen so that improper use by third parties or children can be prevented.
- + If your equipment does not have transportation wheels, the equipment must be disassembled before transportation.

#### **ATTENTION**

- + Make sure that the equipment is protected from moisture, dust and dirt in the selected storage location. The storage location should be dry and well ventilated and have a constant ambient temperature between 10°C and 35°C.

## 4.1 General Instructions



### WARNING

- + Do not make any improper changes to the equipment.



### CAUTION

- + Damaged or worn components may affect your safety and the life of the equipment. Therefore, immediately replace damaged or worn components. In such a case, contact the contract partner. The equipment must not be used until it has been repaired. If necessary, use only original spare parts.

### ATTENTION

- + In addition to the instructions and recommendations for maintenance and care given here, additional service and/or repair work may be necessary; this must only be carried out by authorised service technicians.

## 4.2 Faults and Fault Diagnosis

The equipment undergoes regular quality controls during production. Nevertheless, faults or malfunctions may occur. Frequently, individual parts are responsible for these disturbances, an exchange is usually sufficient. Please refer to the following overview for the most common errors and how to correct them. If the equipment still does not function properly, contact your contract partner.

Fault	Cause	Solution
Grinding noises	Cables or pulleys do not run smoothly or are damaged	+ Visual inspection of the cable routing or the pulley guide + If damaged, replace the defective part
Weight hanging in the air	Cable tensioned too tight	Readjust cable tension
Cable without tension	Cable too loose	+ Check cable routing + Readjust cable tension
Squeaking & cracking noises	Screw connections loosened or too tight	+ Check or lubricate screw connections* + Check cable routing
Unit wobbles	+ Uneven ground + Loose screw connections	+ Align unit + Tighten screw connections
Heavy draught	+ Weight holders/guide rods too dry + Faulty cable routing	+ Lubricate guide rods* + Check cable routing

\* With a grease-free silicone oil or silicone spray.

### 4.3 Maintenance and Inspection Calendar

To avoid damage from body sweat, the equipment must be cleaned with a damp towel (no solvents!) after each training session.

The following routine tasks must be performed at the specified intervals:

Part	Weekly	Monthly	Quarterly
Cables	C	I	
Screw connections		I	
Pulleys and cable routing		I	
Slide rails/Guide rods		I	
Weights			I
Legend: C = clean; I = inspect			

## 5 DISPOSAL

At the end of its operational life, this equipment cannot be disposed of in normal household waste. Instead, it must be disposed of via an recycling centre. Further information can be obtained from your local authority's recycling service.



The materials can be recycled as per their symbols. Through the reuse, recycling of materials or other forms of recovery of old equipment, you make an important contribution to the protection of the environment.

## 6 RECOMMENDED ACCESSORIES

To make your training experience even more efficient and pleasant, we recommend that you add suiting accessories to your fitness equipment. For training equipment like smith machines, weight benches or racks this could for example be a **floor mat**, which makes your fitness equipment stand more securely and also protects the floor from sweat but it could be also **additional weights, handles, foot straps** for leg exercises or **triceps ropes**. For some smith machines, there are also optional add-ons such as **leg presses** that make your workout even more intense and comprehensive.

Our range of accessories offers the highest quality and makes training even better. If you would like to find out more about compatible accessories, please go to the detail page of the product in our webshop (the easiest way is to enter the article number in the search field above) and go to the recommended accessories on this page. Alternatively, you can use the QR-code provided. Of course, you can also contact our customer service: by telephone, e-mail, in one of our branches or via our social media channels. We will be happy to advise you!



floor mat



chest strap



weight block extension



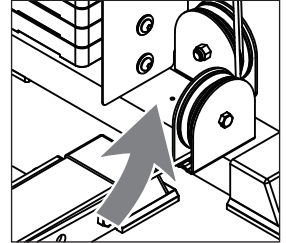
triceps rope

## 7.1 Serial Number and Model Name

In order to provide you with the best possible service, please have the model name, article number, serial number, exploded drawing and parts list ready. The corresponding contact options can be found in chapter 9 of this operating manual.

**NOTICE**

The serial number of your equipment is unique. It's located on a white sticker. The exact position of this sticker is shown in the following illustration.



Enter the serial number in the appropriate field.

**Serial number:**

**Brand / Category:**

**Model Name:**

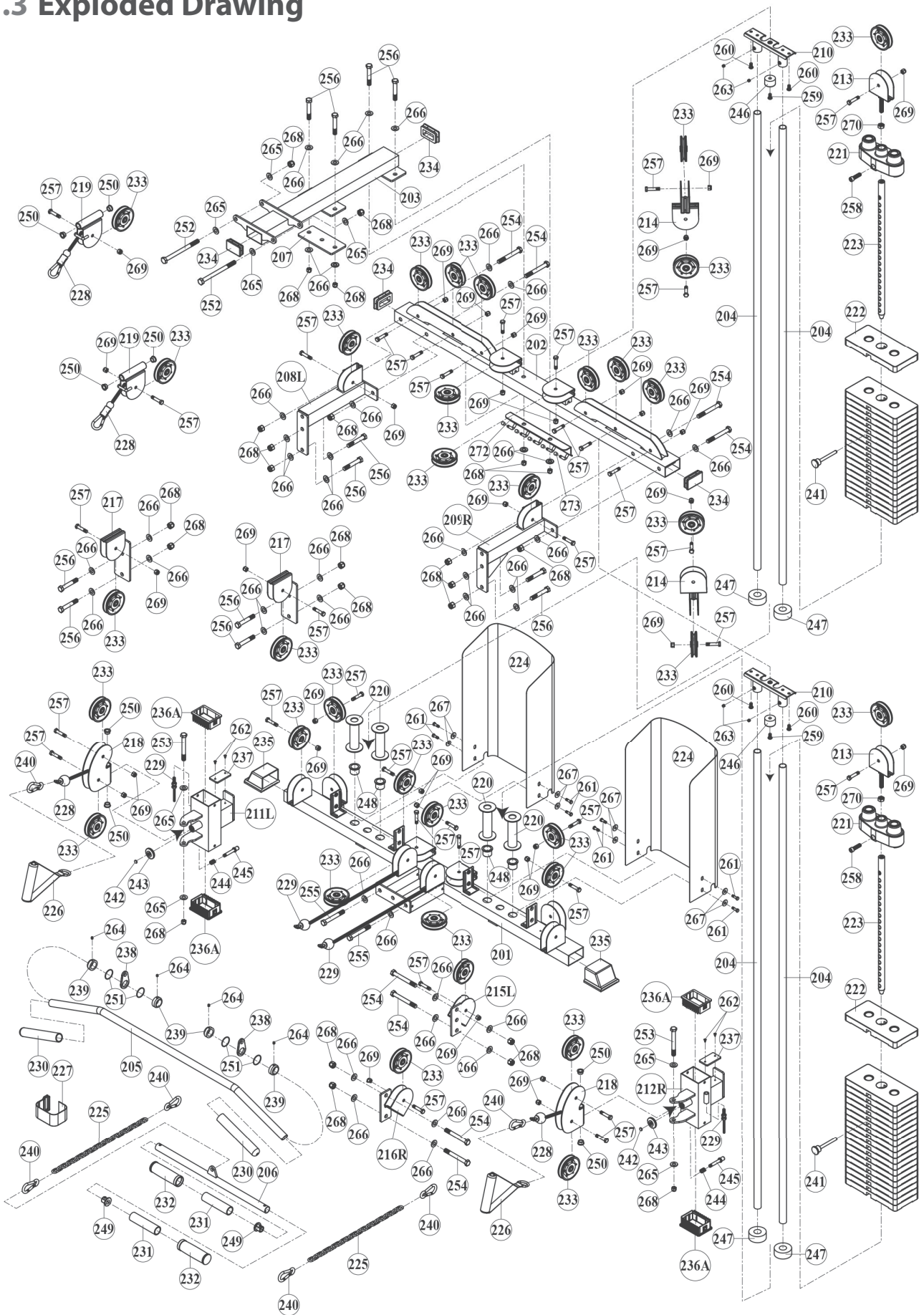
**Article Number:**

## 7.2 Parts List

No.	Name	Qty.	No.	Name	Qty.
201	CONNECTOR REAR STABILIZER	1	233	PULLEY 90mm	34
202	CONNECTOR REAR TOP FRAME	1	234	45 X 75mm PLUG	4
203	CONNECTOR TOP FRAME	1	235	45 X 75mm END CAP	2
204	GUIDE ROD	4	236	45 X 75mm HOLLOW BUSHING	4
205	LAT BAR	1	237	CONNECTOR PLATE	2
206	CURL BAR	1	238	HOOK PLATE	4
207	LINK PLATE	1	239	COLLAR	6
208L	LEFT TOP CABLE CONNECTOR	1	240	SNAP HOOK	2
209R	RIGHT TOP CABLE CONNECTOR	1	241	SELECTOR PIN	2
210	TOP GUIDE ROD HOLDER	2	242	RUBBER COLLAR	2
211L	LEFT PULLEY HEIGHT ADJUSTER	1	243	PLASTIC WASHER	2
212R	RIGHT PULLEY HEIGHT ADJUSTER	1	244	SPRING	2
213	PULLEY BLOCK	2	245	PIN BOLT	2
214	DOUBLE PULLEY BLOCK	2	246	STOPPER	2
215L	LEFT PULLEY CONNECTOR PLATE	1	247	RUBBER CUSHION	4
216R	RIGHT PULLEY CONNETCOR PLATE	1	248	PLASTIC GUIDE ROD HOLDER	4
217	PULLEY CONNECTOR PLATE	2	249	1" T SHAPE END PLUG	2
218	ROTATING PULLEY HOLDER	2	250	BUSHING	8
219	TOP FRAME PULLEY BRACKET	2	251	SEALING RING	4
220	STACK SPACER	4	252	1/2" X 6" HEX BOLT	2
221	TOP PLATE	2	253	1/2" X 4-1/2" HEX BOLT	2
222	WEIGHT PLATE	38	254	1/2" X 4-1/4" HEX BOLT	8
223	SELECTOR ROD	2	255	1/2" X 3-3/4" HEX BOLT	2
224	STACK GUARDS	2	256	1/2" X 3" HEX BOLT	12
225	CHAIN	2	257	3/8" X 1-3/4" HEX BOLT	34
226	SINGLE HANDLE	2	258	TOP PLATE BOLT	2
227	ANKLE STRAP	1	259	3/8" X 5/8" HEX SOCKEN DOME BOLT	2
228	TOP CABLE (7200mm)	2	260	5/16" X 5/8" HEX SOCKEN DOME BOLT	4
229	LOW CABLE (5980mm)	2	261	5/16" X 1/4" HEX SOCKEN DOME BOLT	8
230	1" X 200mm L HAND GRIP	2	262	M5 X 15mm TAPPING SCREW	4
231	SLEEVE	2	263	5/16" X 1/4" INNER HEX SCREW	4
232	1-1/4 X 130" HAND GRIP	2	264	M6 X 6mm L INNER HEX SCREW	4

265	1/2" SMALLER WASHER	8
266	1/2" LARGER WASHER	42
267	5/16" WASHER	8
268	1/2" NYLON NUT	24
269	3/8" NYLON NUT	32
270	1/2" NUT	2
271	HEX WRENCH	1
272	HOOK PLATE	1

# 7.3 Exploded Drawing





Products from TAURUS® are subject to strict quality control. However, if a fitness equipment purchased from us does not work perfectly, we take it very seriously and ask you to contact our customer service as indicated. We are happy to help you by phone via our service hotline.

### **Error Descriptions**

Your fitness equipment is developed for long-term, high-quality training. However, should a problem arise, please first read the operating instructions. For further assistance, please contact your contract partner or call our service hotline. To ensure your problem is solved as quickly as possible, please describe the defect as exactly as possible.

In addition to the statutory warranty, we provide a warranty for every fitness equipment purchased from us according to the following provisions.

**Your statutory rights are not affected.**

### **Warrantee**

The warrantee is the first/original buyer and/or any person who received a newly purchased product as a gift from the original buyer.

### **Warranty period**

The warranty periods, shown on our web shop, begin on delivery of the fitness equipment. The respective warranty periods for your equipment can be found on its product website.

### **Repair Costs**

According to our choice, there will either be a repair, a replacement of individual damaged parts or a complete replacement. Spare parts, that have to be mounted while assembling the equipment, have to be replaced by the warrantee personally and are not a part of repair. After the expiration of the warranty period, the responsibility for parts costs, repair costs, installation costs and delivery costs lies with the warranty holder.

### **The terms of use are defined as follows:**

- + Home use: solely for private use in private households up to 3 hours per day
- + Semi-professional use: up to 6 hours per day (e. g. rehabilitation centres, hotels, clubs, company gyms)
- + Professional use: more than 6 hours per day (e. g. commercial gyms)

### **Warranty Service**

Within the warranty period, equipment which develops faults as a result of material or manufacturing defects, will be repaired or replaced at our discretion. Ownership of equipment or parts of equipment which have been replaced is transferred to us. The warranty period is not extended nor does a new warranty period begin following repair or replacement under the warranty.

## **Warranty Conditions**

For the warranty to be valid, the following steps must be taken:

Please contact our customer service by email or phone. If the product under warranty has to be sent in for repair, the seller bears costs. After expiry of the warranty, the buyer bears the costs of transport and insurance. If the fault is covered by our warranty, you will receive a new or repaired equipment in return.

### **Warranty claims are invalid in case of damage resulting from:**

- + misuse or improper handling
- + environmental influences (moisture, heat, electrical surge, dust, etc.)
- + failure to follow the current safety measures for the equipment
- + failure to follow the operating instructions
- + use of force (e. g. hitting, kicking, falling)
- + interventions which were not carried out by one of our authorized service centres
- + unauthorised repair attempts

### **Proof of Purchase and Serial Number**

Please make sure that you are able to provide the appropriate receipt when claiming on your warranty. So that we can clearly identify the model of your equipment, and for the purposes of our quality control, you will need to give the serial number of your equipment, when contacting the service team. Where possible please have your serial number and your customer number ready when you call our service hotline. It will help us to deal with your request swiftly.







































If you cannot find the serial number on your fitness equipment, our service team is at your disposal to offer further information.

### **Service outside of the Warranty Period**

We are also happy to issue an individual cost estimate if there is a problem with your fitness equipment after the warranty has expired, or in cases which do not fall under the terms of the warranty, e. g. normal wear and tear. Please contact our customer service team to find a quick and cost-effective solution to your problem. In such a case you will be responsible for the delivery costs.

### **Communication**

Many problems can be solved just by speaking to us as your specialist supplier. We know how important it is to you as a user of the fitness equipment to have problems solved quickly and simply, so you can enjoy working out with minimal interruption. For that reason, we also want to resolve your queries quickly and in a straightforward manner. Thus, please always keep your customer number and the serial number of the faulty equipment handy.

DE	DK	UK
<p><b>TECHNIK</b></p> <p> +49 4621 4210-900</p> <p> +49 4621 4210-698</p> <p> <a href="mailto:technik@fitshop.de">technik@fitshop.de</a></p> <p> Öffnungszeiten entnehmen Sie unserer Homepage.</p> <p><b>SERVICE</b></p> <p> 0800 20 20277 (kostenlos)</p> <p> 04621 4210 - 0</p> <p> <a href="mailto:info@fitshop.de">info@fitshop.de</a></p> <p> Öffnungszeiten entnehmen Sie unserer Homepage: <a href="https://stg.fit/statita">https://stg.fit/statita</a></p>	<p><b>TEKNIK OG SERVICE</b></p> <p> 80 90 16 50</p> <p>+49 4621 4210-945</p> <p> <a href="mailto:info@fitshop.dk">info@fitshop.dk</a></p> <p> Åbningstider kan findes på hjemmesiden: <a href="https://stg.fit/statit7">https://stg.fit/statit7</a></p> <p><b>FR</b></p> <p><b>TECHNIQUE &amp; SERVICE</b></p> <p> +33 (0) 189 530984</p> <p>+49 4621 42 10 933</p> <p> <a href="mailto:info@fitshop.fr">info@fitshop.fr</a></p> <p> Vous trouverez les heures d'ouverture sur notre site Internet: <a href="https://stg.fit/statit4">https://stg.fit/statit4</a></p>	<p><b>CUSTOMER SUPPORT</b></p> <p> 00800 2020 2772</p> <p>+494621 4210 944</p> <p> <a href="mailto:info@fitshop.co.uk">info@fitshop.co.uk</a></p> <p> You can find the opening hours on our homepage: <a href="https://stg.fit/statitic">https://stg.fit/statitic</a></p> <p><b>BE</b></p> <p><b>TECHNIQUE &amp; SERVICE</b></p> <p> 02 732 46 77</p> <p>+49 4621 4210 933</p> <p> <a href="mailto:info@fitshop.be">info@fitshop.be</a></p> <p> Vous trouverez les heures d'ouverture sur notre site Internet: <a href="https://stg.fit/statit8">https://stg.fit/statit8</a></p>
ES	NL	INT
<p><b>TECNOLOGÍA Y SERVICIOS</b></p> <p> 911 238 029</p> <p> <a href="mailto:info@fitshop.es">info@fitshop.es</a></p> <p> Consulta nuestro horario de apertura en la página web: <a href="https://stg.fit/statit5">https://stg.fit/statit5</a></p>	<p><b>TECHNISCHE DIENST &amp; SERVICE</b></p> <p> +31 172 619961</p> <p> <a href="mailto:service@fitshop.nl">service@fitshop.nl</a></p> <p> De openingstijden vindt u op onze homepage: <a href="https://stg.fit/statit3">https://stg.fit/statit3</a></p>	<p><b>TECHNICAL SUPPORT &amp; SERVICE</b></p> <p> +49 4621 4210-944</p> <p> <a href="mailto:service-int@fitshop.de">service-int@fitshop.de</a></p> <p> You can find the opening hours on our homepage: <a href="https://stg.fit/statita">https://stg.fit/statita</a></p>
PL	AT	CH
<p><b>DZIAŁ TECHNICZNY I SERWIS</b></p> <p> 22 307 43 21</p> <p>+49 4621 42 10-948</p> <p> <a href="mailto:info@fitshop.pl">info@fitshop.pl</a></p> <p> Godziny otwarcia można znaleźć na stronie głównej: <a href="https://stg.fit/statit6">https://stg.fit/statit6</a></p>	<p><b>TECHNIK &amp; SERVICE</b></p> <p> 0800 20 20277 (Freecall)</p> <p>+49 4621 42 10-0</p> <p> <a href="mailto:info@fitshop.at">info@fitshop.at</a></p> <p> Öffnungszeiten entnehmen Sie unserer Homepage: <a href="https://stg.fit/statitb">https://stg.fit/statitb</a></p>	<p><b>TECHNIK &amp; SERVICE</b></p> <p> 0800 202 027</p> <p>+49 4621 42 10-0</p> <p> <a href="mailto:info@fitshop.ch">info@fitshop.ch</a></p> <p> Öffnungszeiten entnehmen Sie unserer Homepage: <a href="https://stg.fit/statit9">https://stg.fit/statit9</a></p>

Please find a detailed overview including address and opening hours for all stores of the Fitshop Group in Germany and abroad on the following website:

[www.fitshop.com/en/stores](http://www.fitshop.com/en/stores)

# WE LIVE FITNESS

## WEBSHOP AND SOCIAL MEDIA


Fitshop is Europe's largest specialist store for home fitness equipment with currently over 70 stores and one of the world's most renowned online mail order companies for fitness equipment. Private customers order via the 25 web shops in the respective national language or have their desired equipment assembled on site. In addition, the company supplies fitness studios, hotels, sports clubs, companies and physio practices with professional equipment for endurance and strength training.

Fitshop offers a wide range of fitness equipment from renowned manufacturers, high-quality in-house developments and comprehensive services, such as a build-up service and sports scientific advice before and after the purchase. The company employs numerous sports scientists, fitness trainers and competitive athletes.

Visit us also on our social media platforms or our blog!

	<a href="http://www.fitshop.co.uk">www.fitshop.co.uk</a> <a href="http://www.fitshop.de/blog">www.fitshop.de/blog</a>
---	--

	<a href="http://www.facebook.com/fitshop.co.uk">www.facebook.com/fitshop.co.uk</a>
---	--

	<a href="http://www.instagram.com/fitshop_uk">www.instagram.com/fitshop_uk</a>
--	--

	<a href="http://www.youtube.com/@fitshop_uk">www.youtube.com/@fitshop_uk</a>
---	--

**TAURUS**

 cardiostrong

*BODYCRAFT*

 cardiojump

 **DUKEFITNESS**

**DARWIN**

Notes

Notes



# *BODYCRAFT*