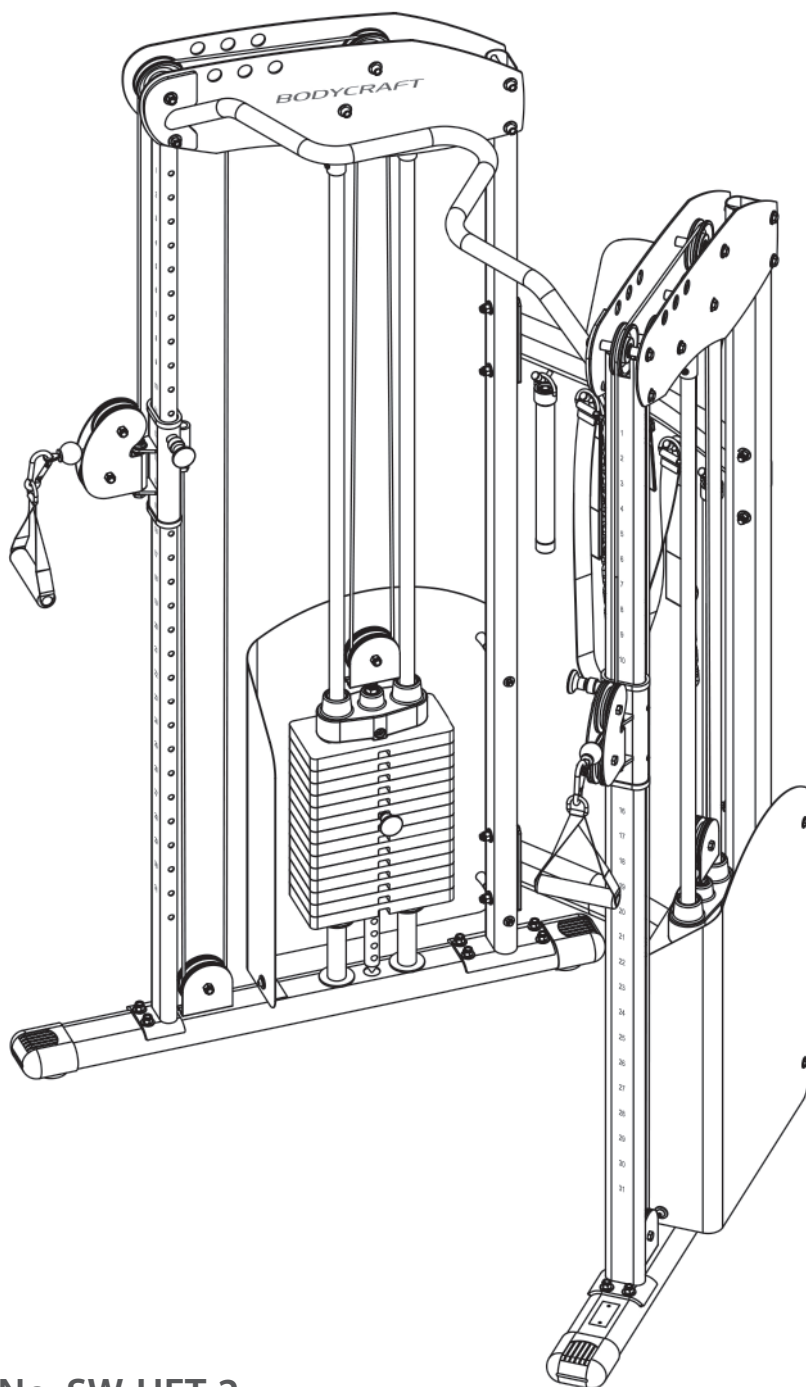


# BODYCRAFT

## Assembly Instructions



~ 240 Min.



273 kg

L 102 | W 142 | H 208

SWHFT.02.04

Art. No. SW-HFT-2

**BodyCraft Cable Pull Module HFT**



# Content

<b>1</b>	<b>GENERAL INFORMATION</b>	<b>7</b>
1.1	Technical Data	7
1.2	Personal Safety	8
1.3	Set-Up Place	9
<b>2</b>	<b>ASSEMBLY</b>	<b>10</b>
2.1	General Instructions	10
2.2	Scope of Delivery	11
2.3	Assembly	13
<b>3</b>	<b>STORAGE AND TRANSPORT</b>	<b>24</b>
3.1	General Instructions	24
<b>4</b>	<b>TROUBLESHOOTING, CARE AND MAINTENANCE</b>	<b>25</b>
4.1	General Instructions	25
4.2	Faults and Fault Diagnosis	25
4.3	Maintenance and Inspection Calendar	26
<b>5</b>	<b>DISPOSAL</b>	<b>26</b>
<b>6</b>	<b>RECOMMENDED ACCESSORIES</b>	<b>27</b>
<b>7</b>	<b>ORDERING SPARE PARTS</b>	<b>28</b>
7.1	Serial Number and Model Name	28
7.2	Parts List	29
7.3	Exploded Drawing	31
<b>8</b>	<b>WARRANTY</b>	<b>32</b>
<b>9</b>	<b>CONTACT</b>	<b>34</b>

**Dear customer,**

thank you for choosing training equipment of the brand Bodycraft. Bodycraft equipment inspires with its multifunctionality and excellent quality. In terms of innovation and technology, it is one of the highest quality fitness equipment for home use. Bodycraft multi gyms, for example, offer a very wide range of exercise possibilities. This ranges from traditional strength training such as bench presses and rehabilitation exercises to workout for complex sports like golf, tennis or badminton.

**Intended Use**

The equipment may only be used for its intended purpose.

The equipment is only suitable for home use. The equipment is not suitable for semi-professional (e.g. hospitals, associations, hotels, schools, etc.) and commercial or professional use (e.g. fitness studios).

**Disclaimer**

***BODYCRAFT***

BodyCraft® is a registered brand of the company Fitness Authority Industrial Co., LTD. All rights reserved. Any use of this trademark without the explicit written permission of Fitness Authority Industrial Co., LTD is prohibited.

Product and manual are subject to change. Technical data can be changed without advance notice.

## ABOUT THIS MANUAL

Please carefully read the entire manual before installation and first use. The manual will help you to quickly set up the system and explains how to safely use it. Make sure that all persons exercising with the equipment (especially children and persons with physical, sensory, mental or motor disabilities) are informed about this manual and its contents in advance. In case of doubt, responsible persons must supervise the use of the equipment.



Due to ongoing changes and software optimisations, the manual may have to be updated. If you notice any discrepancies during assembly or use, please refer to the manual uploaded to the webshop. The latest manual is always available there.

This equipment has been manufactured according to the latest safety knowledge. As far as possible, potential safety hazards which could cause injury have been eliminated. Make sure to carefully follow the instructions and that all parts are securely in place. If required, read through the instructions again to correct any mistakes.

Training devices must be classified according to accuracy and use. Accuracy classes are only applicable to devices that display training data.

### Accuracy classes

Class A: high accuracy.

Class B: medium accuracy.

Class C: low accuracy.

The use classes explain the intended use of the training device.

### Use classes

**Class S** (studio): professional and/or commercial use.

These training devices are intended for the use in training rooms of facilities such as sports clubs, school facilities, hotels, clubs and studios whose access and supervision is specifically regulated by the owner (person with legal responsibility).

**Class H** (home use): use at home.

These stationary training devices are intended for the use in private homes where access to the training device is regulated by the owner (person with legal responsibility).

Please pay close attention to the safety and maintenance instructions given here. The contract partner cannot be held liable for damage to health, accidents or damage to the equipment when it is not used in accordance with these instructions.

The following safety instructions may appear in this manual:

► **ATTENTION**

This notice indicates potentially hazardous situations which, if not avoided, may result in property damage.

⚠ **CAUTION**

This notice indicates potentially hazardous situations which, if not avoided, may result in slight or minor injuries!

⚠ **WARNING**

This notice indicates potentially hazardous situations which, if not avoided, may result in death or serious injuries!

⚠ **DANGER**

This notice indicates potentially hazardous situations which, if not avoided, will result in death or serious injuries!

ⓘ **NOTICE**

This notice indicates further useful information.

Retain these instructions in a safe place for future reference, maintenance or when ordering replacement parts.

## 1.1 Technical Data

### Weight and Dimensions

Packaging dimensions (L x W x H) and article weight (gross, incl. packaging) approx.:

Box 1:	205 cm x 38 cm x 16 cm	47.8 kg / 105.4 lbs
Box 2:	124 cm x 60 cm x 21 cm	65 kg / 143.3 lbs
Box 3 (2x):	27 cm x 14 cm x 13 cm	22.42 kg / 49.42 lbs
Box 4 (4x):	28 cm x 19 cm x 15 cm	31.27 kg / 68.94 lbs

Set-up dimensions (L x W x H) approx.:

102 cm x 142 cm x 208 cm

Article weight (net, excl. packaging) approx.:

272.2 kg / 600 lbs

Maximum user weight (chin-up):

150 kg / 330 lbs

### Weight Stack

Quantity:	2
Weight plates:	19 + 1 per weight stack
Weight of one weight plate:	4.5 kg / 9.9 lbs
Cable length:	722 cm
Cable material:	Steel
Cover material:	Plastic
Pulley diameter:	90 mm
Transmission ratio:	2:1
Class:	S

## 1.2 Personal Safety

### **DANGER**

- + Before you start using the equipment, you should consult your physician that this type of exercise is suitable for you from a health perspective. Particularly affected are persons who: have a hereditary disposition to high blood pressure or heart disease, are over the age of 45, smoke, have high cholesterol values, are overweight and/or have not exercised regularly in the past year. If you are under medical treatment that affects your heart rate, medical advice is absolutely essential.
- + Note that excessive training can seriously endanger your health. Please also note that heart rate monitoring systems can be inaccurate. If you notice any signs of weakness, nausea, dizziness, pain, shortness of breath, or other abnormal symptoms, stop exercising immediately and seek advice from your doctor if necessary.
- + The owner must communicate all warnings and instructions to the user.

### **WARNING**

- + This equipment may not be used by children under the age of 14.
- + Children should not be allowed unsupervised access to the equipment.
- + Persons with disabilities must have a medical license and must be under strict observation when using the equipment.
- + The equipment is strictly for use by one person at a time.
- + Keep your hands, feet and other body parts, hair, clothing, jewellery and other objects well clear of moving parts.
- + During use, wear suitable sports clothing rather than loose or baggy clothing. When wearing sports shoes, make sure they have suitable soles, preferably made of rubber or other non-slip materials. Shoes with heels, leather soles, studs or spikes are unsuitable. Never exercise barefoot.
- + Always start each workout with a light warm-up and end with a cool-down phase.
- + Using the machine as a support during stretching exercises or attaching resistance bands, ropes or other accessories to it, may cause injuries.

### **CAUTION**

- + If your equipment needs to be connected to the power supply with a mains cable, make sure that the cable is not a potential tripping hazard.
- + Make sure that nobody is within the range of motion of the equipment during training so as not to endanger you or other persons.
- + Be aware that if adjustment devices are left protruding, they may impede the user's movement.

### **ATTENTION**

- + Do not insert any objects of any kind into the openings of the device.



## 1.3 Set-Up Place

### ⚠ WARNING

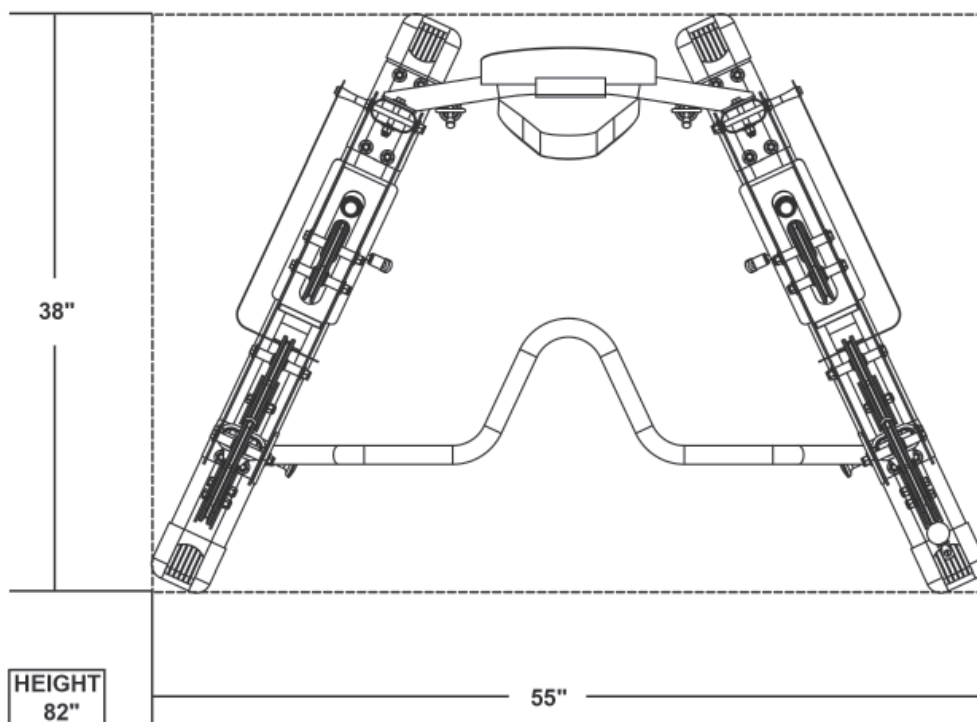
- + Do not place the equipment in main corridors or escape routes.

### ⚠ CAUTION

- + Choose a location in which to place the equipment such that there is enough free space/clearance to the front, the rear and to the sides of the equipment.
- + The training room should be well ventilated during training and not be exposed to any draughts.
- + Choose the place in which to set up the equipment such that there is enough free space/clearance to the front, the rear and to the sides of the equipment.
- + The free area in the direction from which the exercise equipment is accessed must be at least 0.6 m larger than the exercise area.
- + The set-up and mounting surface of the equipment should be flat, loadable and solid.
- + If your device is to be mounted on the wall/ceiling, make sure that you use the appropriate assembly material to avoid possible damages or personal injuries. The contractual partner accepts no liability for this.

### ▶ ATTENTION

- + The device may only be used in one building, in sufficiently tempered and dry rooms (ambient temperatures between 10°C and 35°C). The equipment should not be used outdoors or in rooms with high humidity (over 70%) like swimming pools.
- + A floor protective mat/equipment underlay can help to protect high-quality floor coverings (parquet, laminate, cork, carpets) from dents and sweat and can help to level out slight unevenness.
- + For Class S equipment, the exercise equipment may only be used in areas where access, supervision and control are specifically regulated by the owner.



### 2.1 General Instructions



#### **DANGER**

- + Do not leave any tools, packaging materials such as foils or small parts lying around, as otherwise there is a danger of suffocation for children. Keep children away from the equipment during assembly.



#### **WARNING**

- + Pay attention to the instructions attached to the equipment in order to reduce the risk of injuries.



#### **CAUTION**

- + Ensure to have sufficient room for movement in each direction during assembly.
- + The assembly of the equipment must be carried out by at least two adults. If in doubt, seek the help of a third technically skilled person.



#### **ATTENTION**

- + To prevent damage to the equipment and the floor, assemble the equipment on a mat or packaging board.



#### **NOTICE**

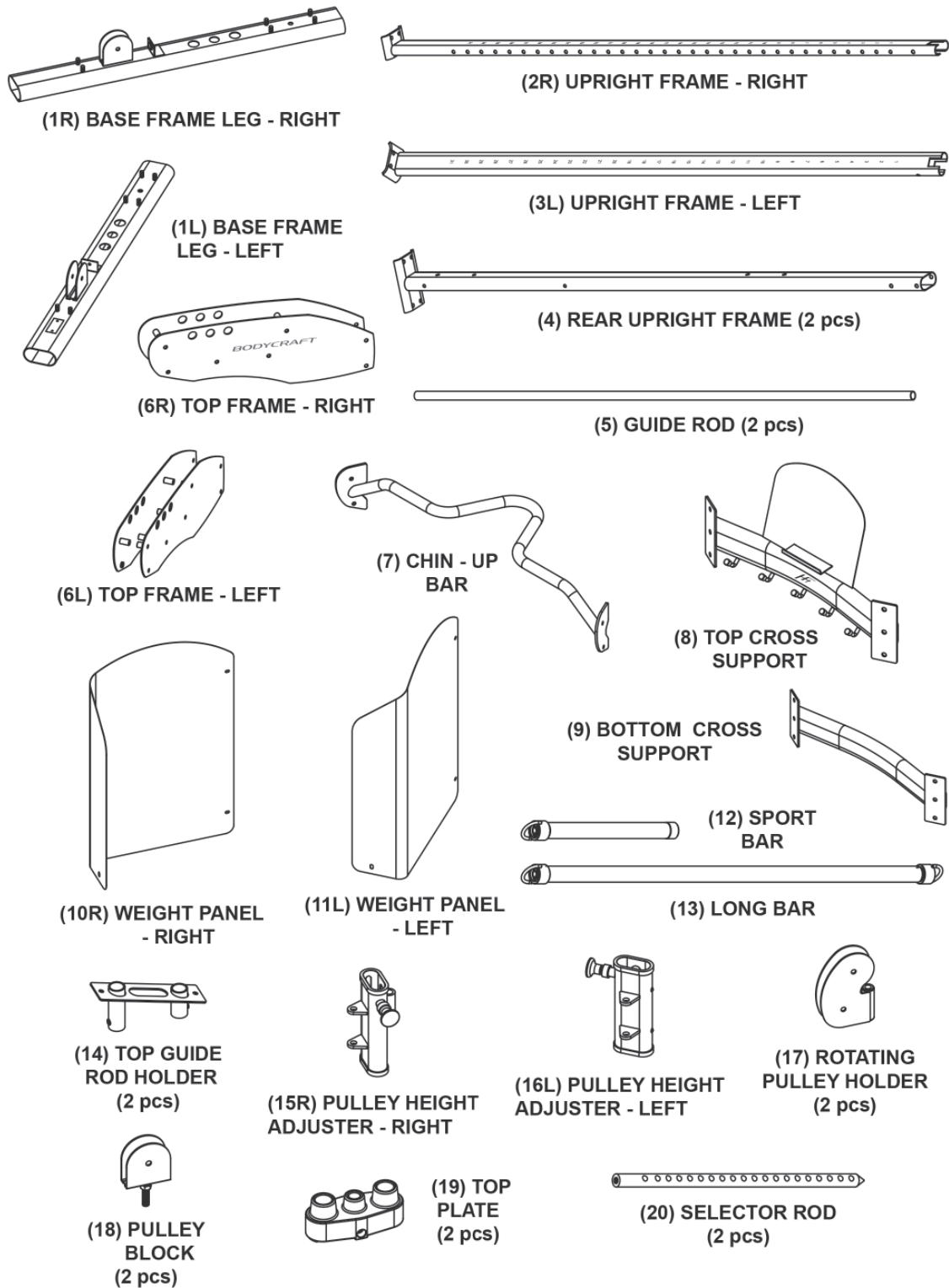
- + In order to make the assembly as simple as possible, some screws and nuts to be used can already be pre-assembled.
- + Ideally, assemble the equipment at its later set-up place.

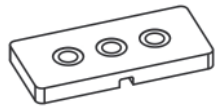
## 2.2 Scope of Delivery

The scope of delivery consist of the following parts. At the beginning, check whether all parts and tools belonging to the device are included in the scope of delivery and whether damage has occurred. In the event of complaints, the contractual partner must be contacted directly.

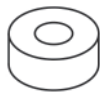
### CAUTION

If parts of the scope of delivery are missing or damaged, the assembly must not be carried out.





(21) 10 LB. WEIGHT PLATE (28 pcs)



(22) RUBBER DONUT (4pcs)



(23) STACK SPACER (4pcs)



(24) PLASTIC GUIDE ROD HOLDER (4pcs)



(29) ANKLE STRAP



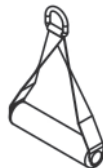
(27) CABLE (2 pcs)



(30) CHIN ASSIST STRAP



(31) TRICEP ROPE



(32) SINGLE HANDLE (2pcs)



(33) CHAIN (2pcs)



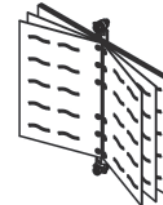
(34) SNAP HOOK (4pcs)



(36) PULLEY (16pcs)



(38) END CAP (4pcs)



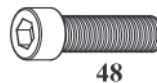
(28) EXERCISE BOOK

**NO. DESCRIPTION QTY.**

48	TOP PLATE BOLT	2
49	1/2" X 4-1/4" HEX BOLT	2
50	3/8" X 4-1/4" HEX BOLT	4
51	3/8" X 4" BLACK HEX BOLT	10
52	3/8" X 2-1/2" HEX BOLT	8
53	3/8" X 1-3/4" HEX BOLT	8
54	1/4" X 6" HEX BOLT	4
61	1/2" WASHER	4
62	3/8" CHROMED WASHER	16
63	3/8" BLACK WASHER	28
66	1/4" WASHER	8
67	1/2" NYLON NUT	2
68	3/8" CHROMED NYLON NUT	8
69	3/8" BLACK NYLON NUT	22
70	1/4" NYLON NUT	4



(43) PLASTIC STUDS (8pcs)



48



61



49



62



50



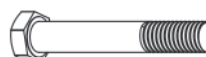
63



51



66



52



53



67



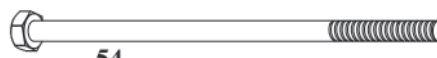
68



69



70



54

## 2.3 Assembly

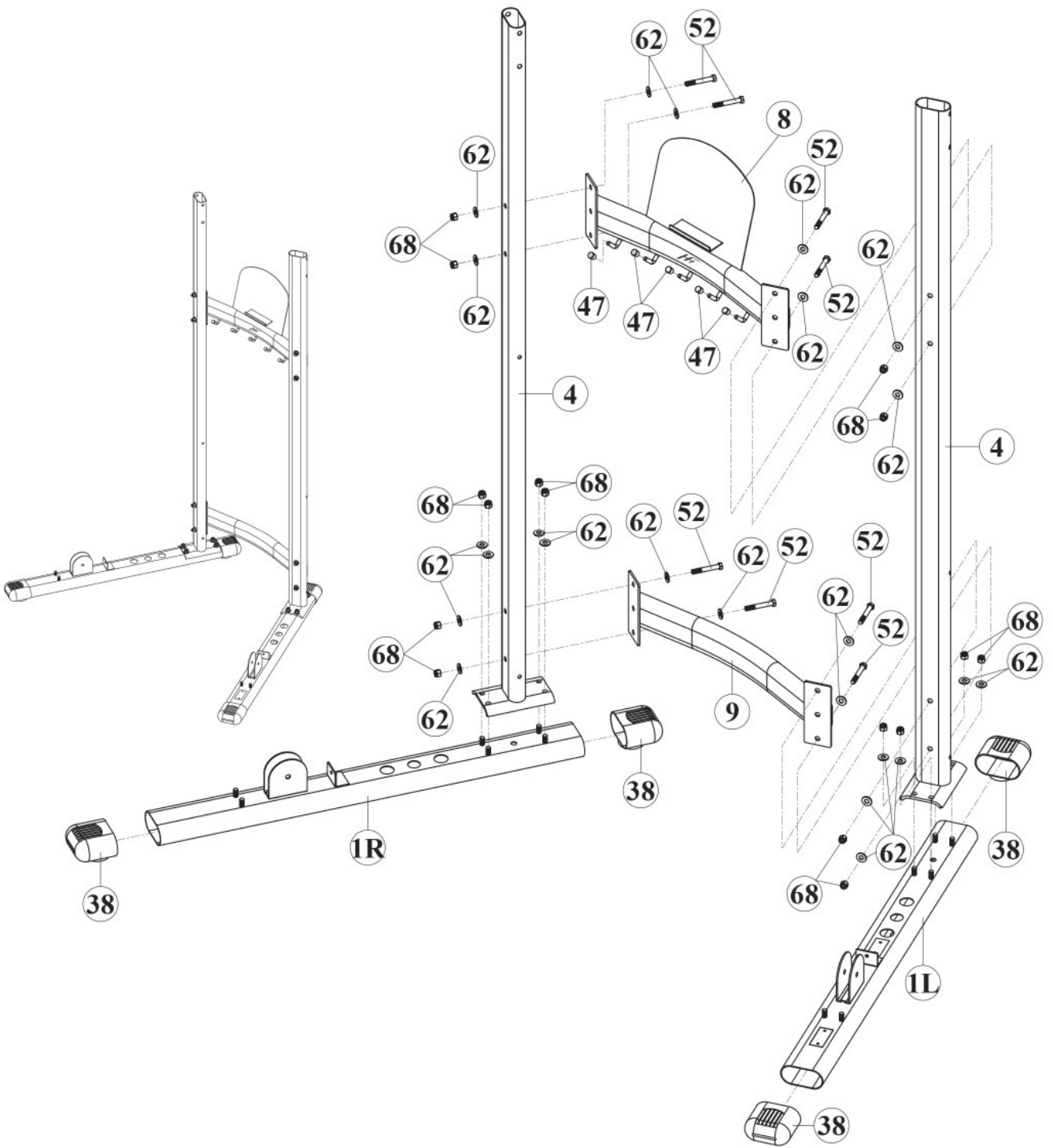
Before assembly, take a close look at the individual assembly steps shown and carry out the assembly in the order given.

### **① NOTICE**

- + First loosely screw all parts together and check that they fit properly. Tighten the screws using the tool only when you are instructed to do so.
- + If you have difficulty recognising the graphics, we recommend that you open and/or download the PDF instructions stored in the webshop on your end device (e.g. smartphone, tablet or PC). There you have the option of zooming in closer. Please note that the Adobe Acrobat Reader programme must be installed on your end device in order to open the file.

### **Step 1: Assembly of the Base Frame Legs and Rear Upright Frames**

1. Carefully attach two end caps (38) to each of the base frame legs (1R & 1L).
2. Attach the rear upright frames (4) to the right & left base frame legs (1R & 1L) with the eight pre-installed washers (62) and nylon nuts (68).
3. Attach the top cross support (8) to the rear upright frames (4) with four hex bolts (52), eight washers (62) and four nylon nuts (68).
4. Attach the bottom cross support (9) to the rear upright frames (4) with four hex bolts (52), eight washers (62) and four nylon nuts (68).



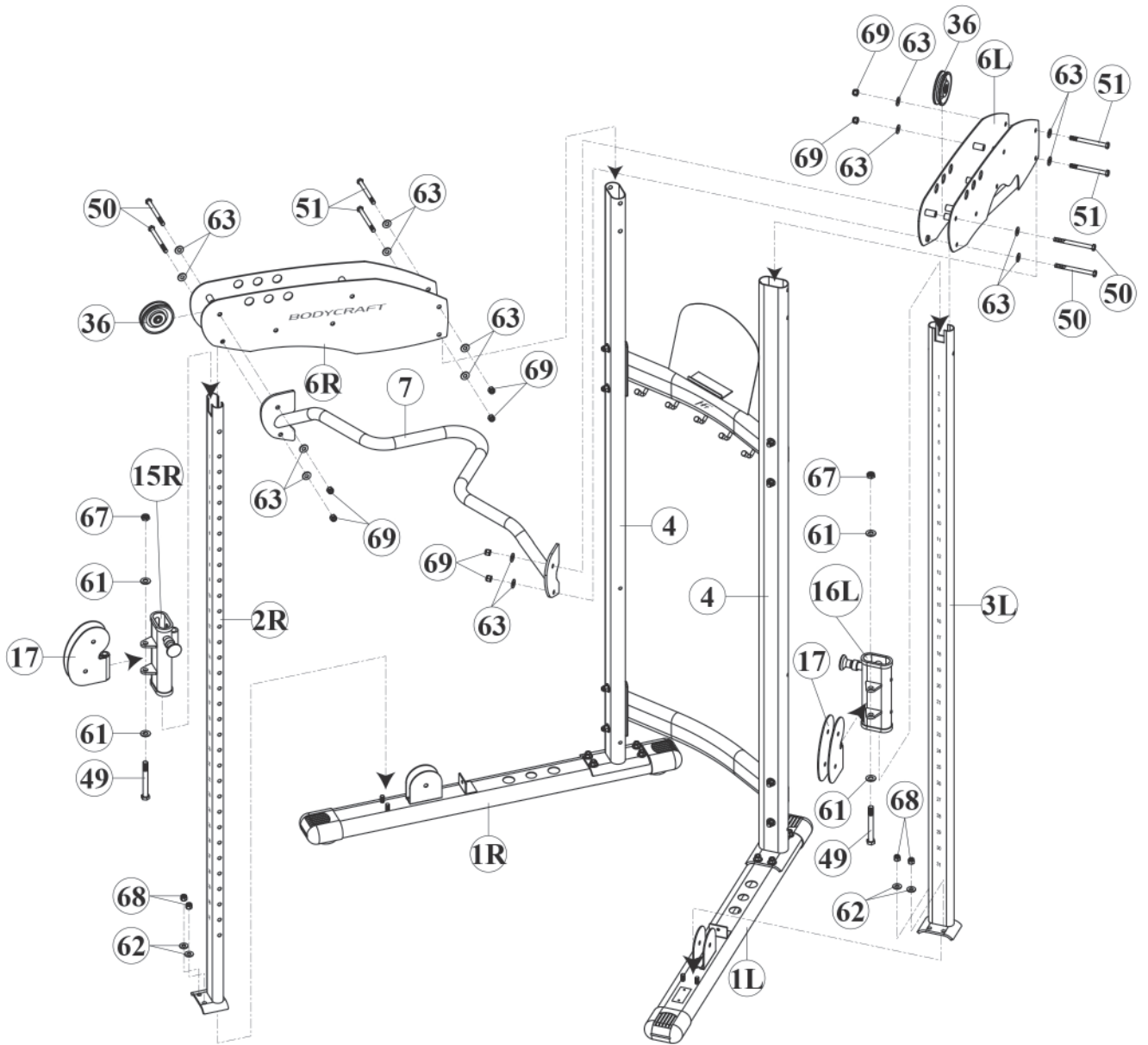
## Step 2: Assembly of the Upright Frames and the Top Frames

1. Slide the pulley height adjusters (15R & 16L) onto the upright frames (2R & 3L).
2. Attach the upright frames (2R & 3L) to the base frame legs (1R & 1L) with the four pre-installed washers (62) and nylon nuts (68).

► **ATTENTION**

Make sure to thread the hex bolts (49) from the bottom into the height adjusters (15R & 16L) in the following step.

3. Attach two rotating pulley holders (17) to the right & left pulley height adjusters (15R & 16L) with two hex bolts (49), four washers (61) and two nylon nuts (67).
4. Attach the top frames (6R & 6L) to the rear upright frames (4) with four hex bolts (51), eight washers (63) and four nylon nuts (69).
5. Attach the top frames (6R & 6L) to the upright frames (2R & 3L) along with the chin bar (7) and two pulleys (36) with four hex bolts (50), eight washers (63) and four nylon nuts (69).
6. Tighten all bolts starting from the bottom.





### Step 3: Assembly of the Guide Rods

1. Insert two plastic guide rod holders (24) into the outer holes of each of the base frame legs (1L & 2R).
2. Insert two guide rods (5) into the plastic guide rod holders (24).

► **ATTENTION**

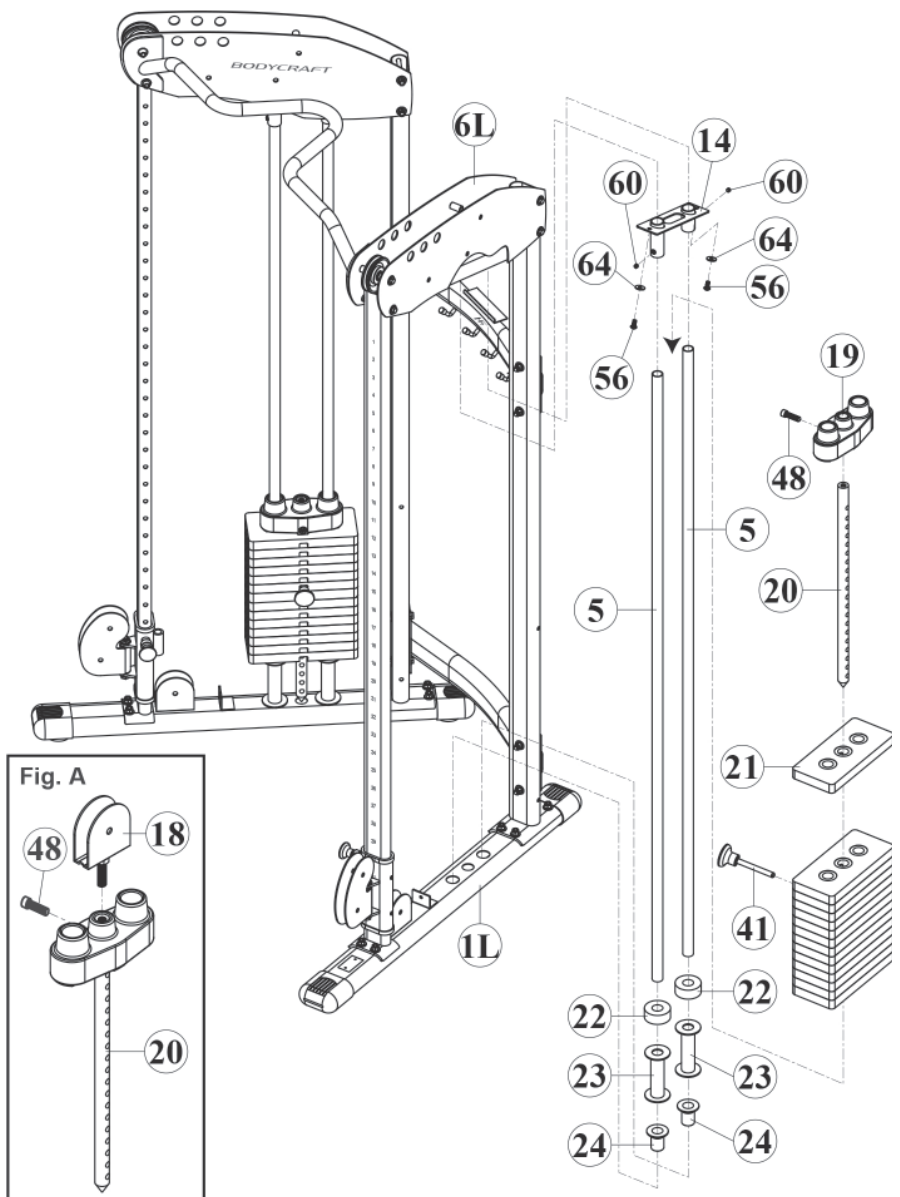
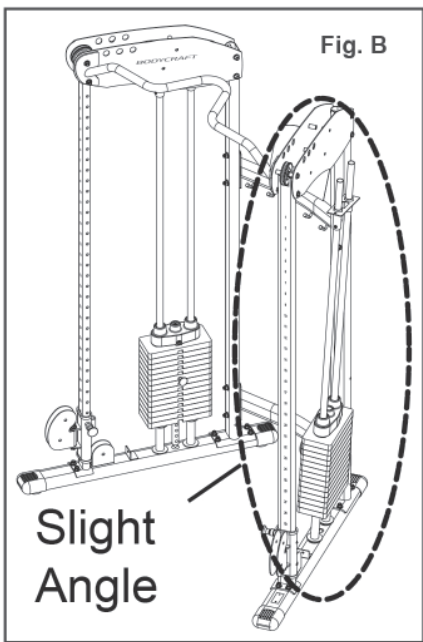
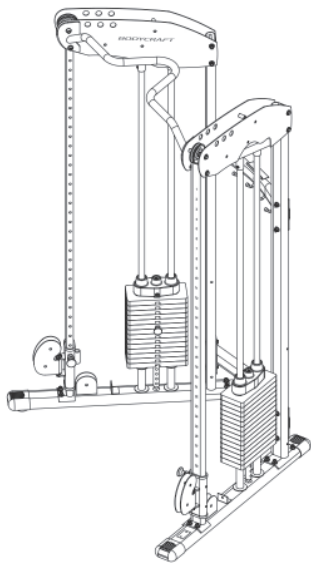
The stack spacers (23) must only be installed if you have 28 weight plates/14 per side. If you have 38 weight plates/19 per side, do not install the stack spacers (23) in the following step.

3. Slide two stack spacers (23) and two rubber donuts (22) over the guide rods (5).
4. Attach the selector rod (20) to the top plate (19) with the top plate bolt (48), tighten.
5. Thread the pulley block (18) into the selector rod (20) minimum 1/3 of the way (Fig. A).

ⓘ **NOTICE**

Make sure to orient the selector holes of the weight plates toward the inside bottom.

6. With the guide rods slightly angled (Fig. B), carefully slide each of the weight plates (21) over the guide rods (5) one by one.
7. Slide the top plate (19) over the guide rods (5), running the selector rod (20) down through the center holes of the weight plates (21). Insert the selector pin (41) into one of the selector holes.
8. Place the top guide rod holders (14) onto the guide rods (5) and secure to the top of the left top frame (6L) with the two pre-installed bolts (56) and two washers (64).
9. Tighten the two pre-installed set screws (60) and bolts (56).
10. Repeat the steps 1 to 9 on the other side.



## Step 4: Assembly of the Cables and Pulleys

### **NOTICE**

- + The following steps show the assembly on the right side of the equipment. The steps must be repeated for the left side as well.
- + The cables and pulleys must be installed simultaneously.

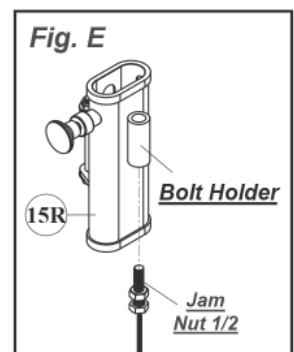
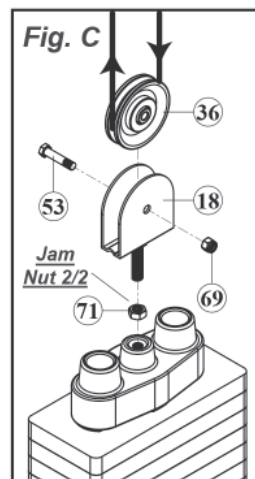
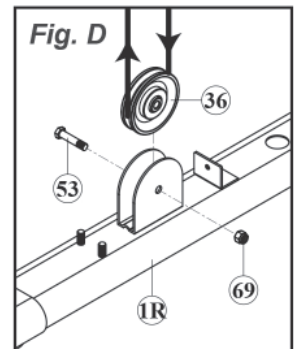
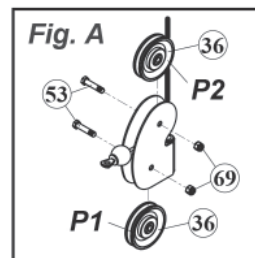
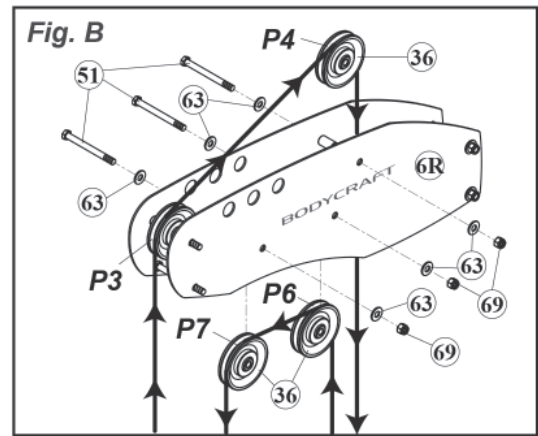
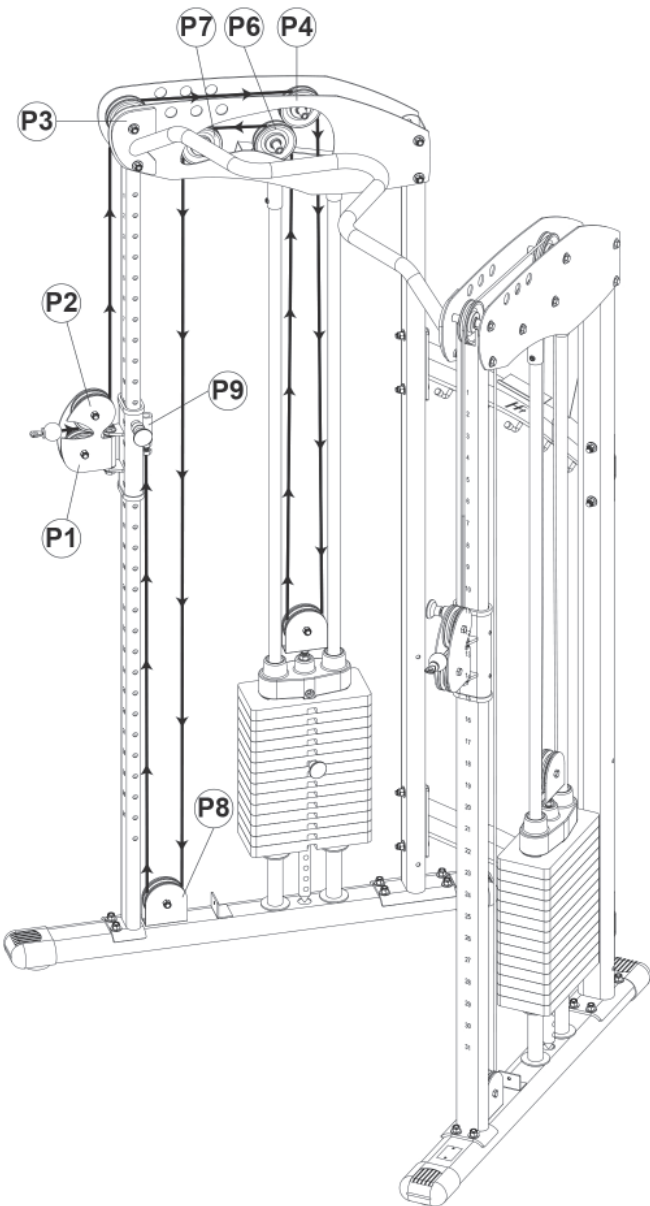
1. Fasten the ball end of the cable (27) to the pulley holder (17) with two Pulleys P1 and P2 (36) with a total of two hex bolts (53) and two nylon nuts (69) [Fig A].
2. Route the cable (27) over the two pulleys P3 and P4 and mount pulley P4 to the right top frame (6R) with one hex bolt (51), two washers (63) and one nylon nut (69) [Fig B].
3. Route the cable (27) down through the pulley block (18) and around pulley P5. Mount the pulley P5 to the pulley block (18) with one hex bolt (53) and one nylon nut (69) [Fig C].
4. Route the cable (27) up over the pulleys P6 and P7 (36) through the right top frame (6R). Mount the pulleys P6 and P7 to the right top frame (6R) with a total of two hex bolts (51), four washers (63) and two nylon nuts (69) [Fig B].
5. Route the cable (27) down through the pulley holder on the base frame leg and around pulley P8 (36). Mount the pulley to the pulley holder using one hex bolt (53) and one nylon nut (69) [Fig. D].
6. Route the cable (27) up and screw the bolt end of the cable (27) at least 1/3 into the bolt holder that is welded onto the right pulley height adjuster (15R) [Fig. E].
7. Repeat the steps for the left side.

### **NOTICE**

If necessary, the cables can be tightened or loosened by adjusting the screw connections on the height adjusters (15R & 16L) [Fig. E] or on the pulley blocks (18) [Fig. C].

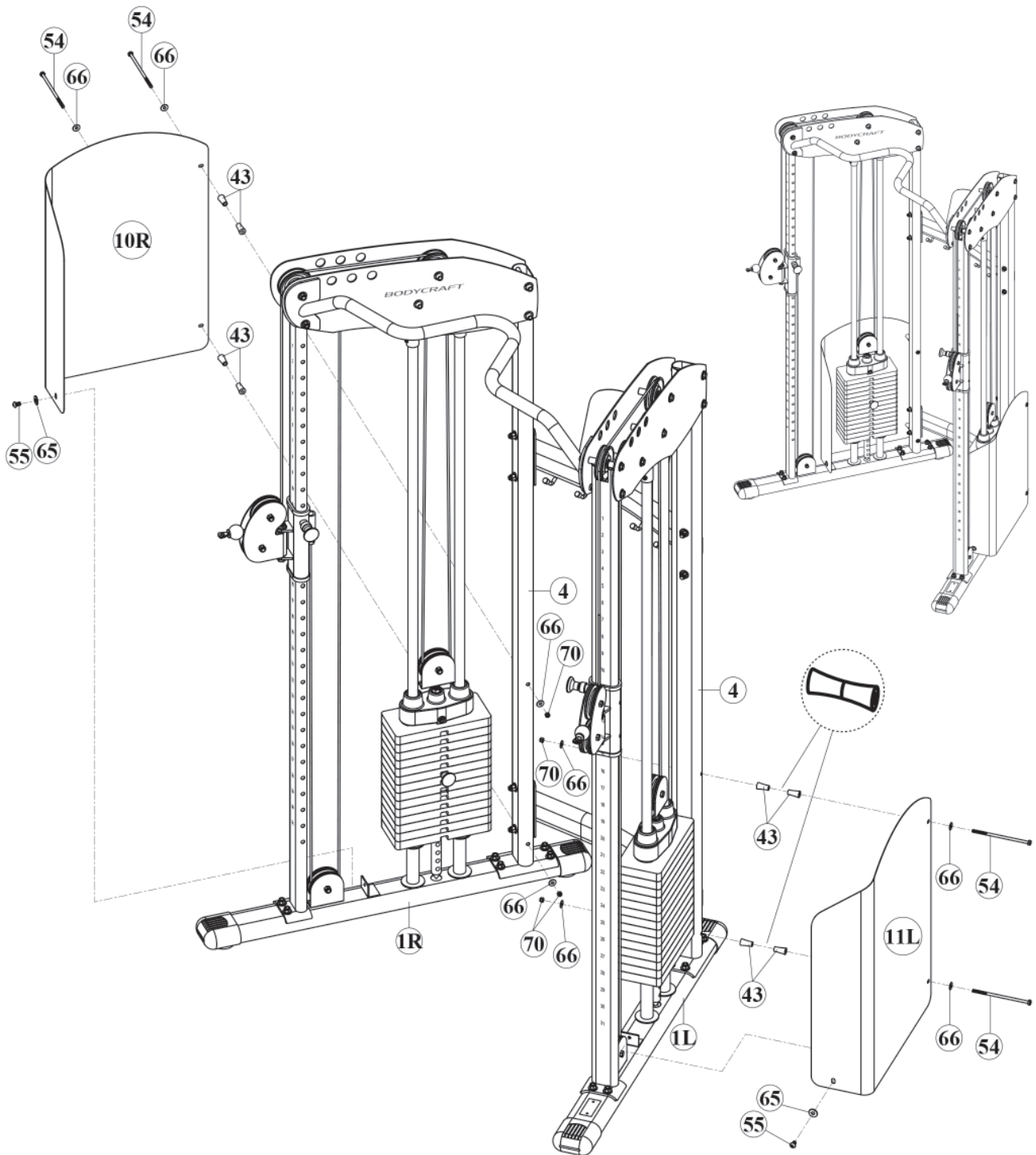
8. Tighten all jam nuts firmly [Fig. C & E].

Ball End **Cable (27)** Bolt End



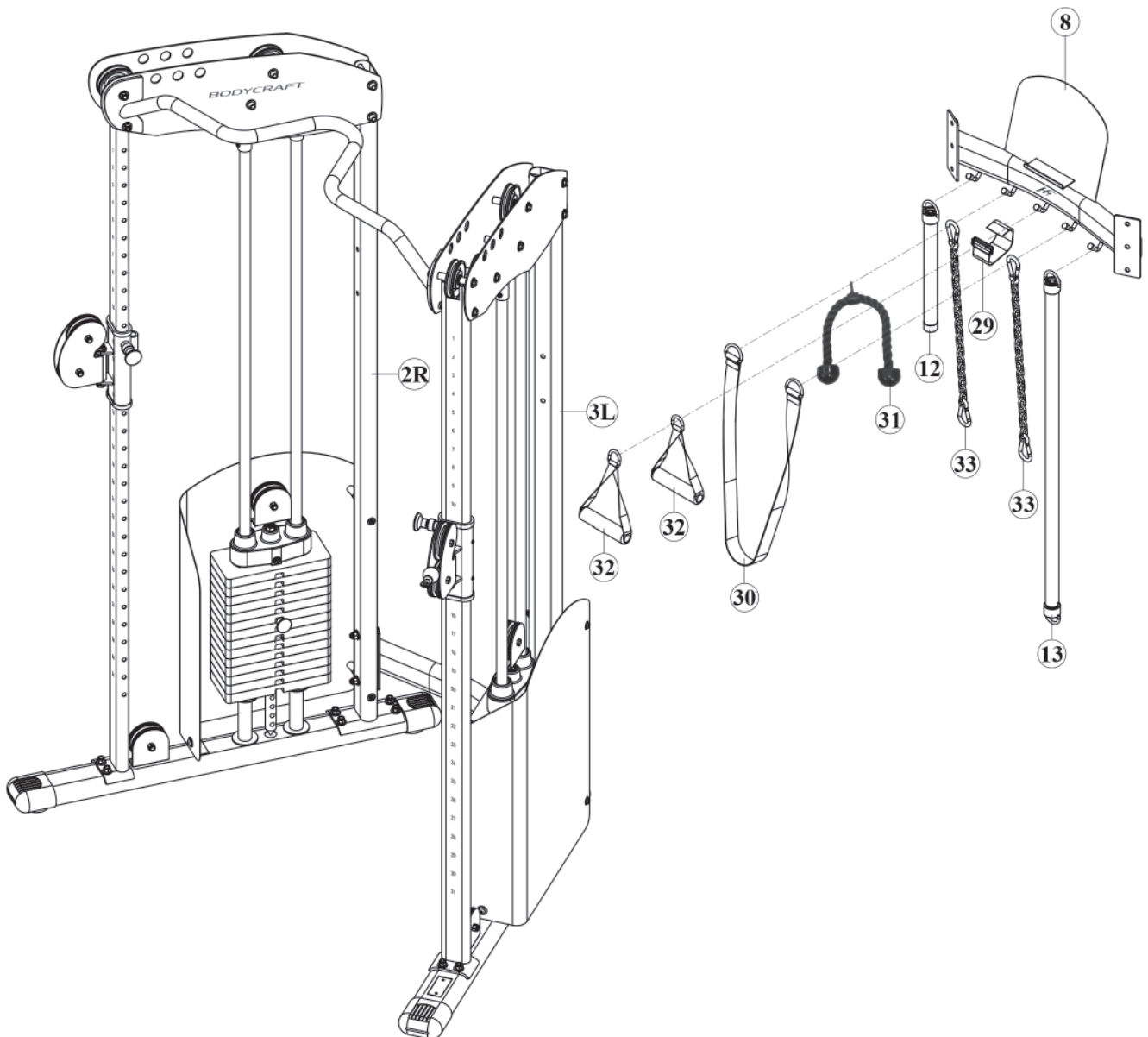
### Step 5: Assembly of the Weight Panels

1. Loosely attach the weight panels (10R & 11L) to the rear upright frames (4) with eight plastic studs (43), four bolts (54), eight washers (66) and four nylon nuts (70).
2. Loosely attach the weight panels (10R & 11L) to the base frame legs (1R & 1L) with the two pre-installed bolts (55) and two washers (65).
3. Tighten the weight panel bolts (54 & 55).



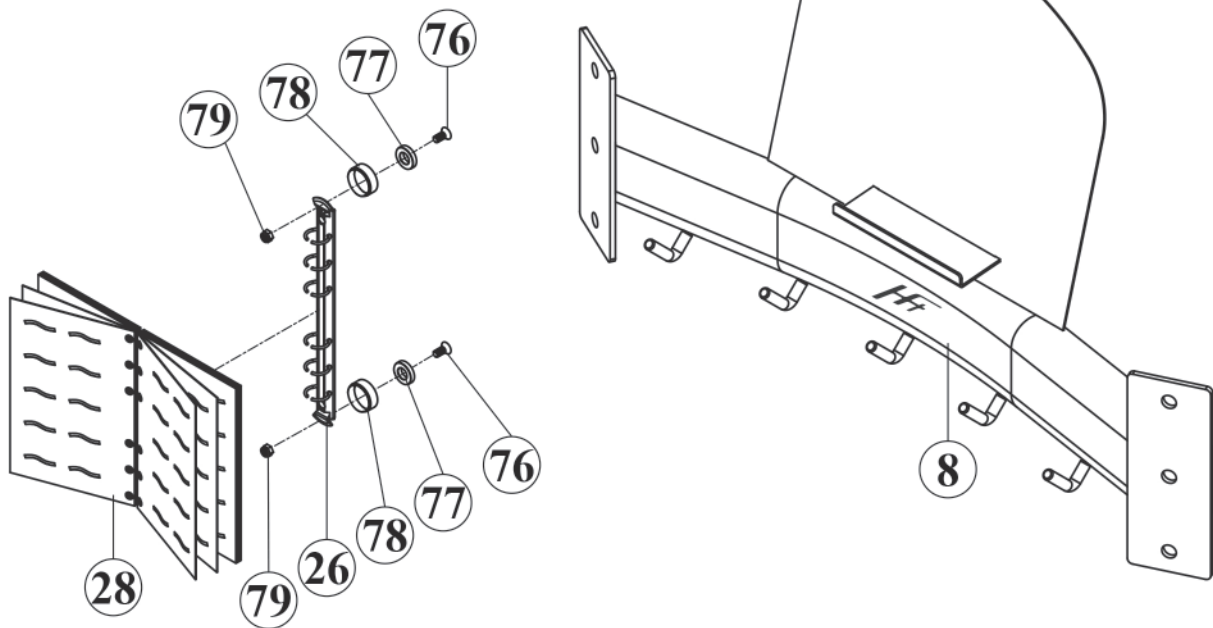
## Step 6: Accessories Placement

Store the single handles (32), chin assist strap (30), triceps rope (31), sport bar (12), chains (33), ankle strap (29) and the long bar (13) by hooking them onto the top cross support (8).



### Step 7: Assembly of the Exercise Book Magnet Set

1. Assemble the exercise book (28) to the exercise book holder (26) with two magnets (77), two plastic covers (78), two screws (76) and two nuts (79).
2. Attach the exercise book holder (26) with the exercise book (28) to the top cross support (8).



### 3.1 General Instructions



#### **WARNING**

- + The storage location should be chosen so that improper use by third parties or children can be prevented.
- + If your equipment does not have transportation wheels, the equipment must be disassembled before transportation.



#### **ATTENTION**

- + Make sure that the equipment is protected from moisture, dust and dirt in the selected storage location. The storage location should be dry and well ventilated and have a constant ambient temperature between 10°C and 35°C.



## 4.1 General Instructions



### WARNING

- + Do not make any improper changes to the equipment.



### CAUTION

- + Damaged or worn components may affect your safety and the life of the equipment. Therefore, immediately replace damaged or worn components. In such a case, contact the contract partner. The equipment must not be used until it has been repaired. If necessary, use only original spare parts.

### ATTENTION

- + In addition to the instructions and recommendations for maintenance and care given here, additional service and/or repair work may be necessary; this must only be carried out by authorised service technicians.

## 4.2 Faults and Fault Diagnosis

The equipment undergoes regular quality controls during production. Nevertheless, faults or malfunctions may occur. Frequently, individual parts are responsible for these disturbances, an exchange is usually sufficient. Please refer to the following overview for the most common errors and how to correct them. If the equipment still does not function properly, contact your contract partner.

Fault	Cause	Solution
Grinding noises	Cables or pulleys do not run smoothly or are damaged	+ Visual inspection of the cable routing or the pulley guide + If damaged, replace the defective part
Weight hanging in the air	Cable tensioned too tight	Readjust cable tension
Cable without tension	Cable too loose	+ Check cable routing + Readjust cable tension
Squeaking & cracking noises	Screw connections loosened or too tight	+ Check or lubricate screw connections* + Check cable routing
Unit wobbles	+ Uneven ground + Loose screw connections	+ Align unit + Tighten screw connections
Heavy draught	+ Weight holders/guide rods too dry + Faulty cable routing	+ Lubricate guide rods* + Check cable routing

\* With a grease-free silicone oil or silicone spray.

### 4.3 Maintenance and Inspection Calendar

To avoid damage from body sweat, the equipment must be cleaned with a damp towel (no solvents!) after each training session.

The following routine tasks must be performed at the specified intervals:

Part	Weekly	Monthly	Quarterly
Cables	C	I	
Screw connections		I	
Pulleys and cable routing		I	
Slide rails/Guide rods		I	
Weights			I
Legend: C = clean; I = inspect			

## 5 DISPOSAL

At the end of its operational life, this equipment cannot be disposed of in normal household waste. Instead, it must be disposed of via an recycling centre. Further information can be obtained from your local authority's recycling service.



The materials can be recycled as per their symbols. Through the reuse, recycling of materials or other forms of recovery of old equipment, you make an important contribution to the protection of the environment.

## 6 RECOMMENDED ACCESSORIES

To make your training experience even more efficient and pleasant, we recommend that you add suiting accessories to your fitness equipment. For training equipment like smith machines, weight benches or racks this could for example be a **floor mat**, which makes your fitness equipment stand more securely and also protects the floor from sweat but it could be also **additional weights**, **handles**, **foot straps** for leg exercises or **triceps ropes**. For some smith machines, there are also optional add-ons such as **leg presses** that make your workout even more intense and comprehensive.

Our range of accessories offers the highest quality and makes training even better. If you would like to find out more about compatible accessories, please go to the detail page of the product in our webshop (the easiest way is to enter the article number in the search field above) and go to the recommended accessories on this page. Alternatively, you can use the QR code provided. Of course, you can also contact our customer service: by telephone, e-mail, in one of our branches or via our social media channels. We will be happy to advise you!



floor mat



chest strap



triceps rope



weight block extension

## 7.1 Serial Number and Model Name

In order to provide you with the best possible service, please have the model name, article number, serial number, exploded drawing and parts list ready. The corresponding contact options can be found in chapter 9 of this operating manual.

**NOTICE**

The serial number of your equipment is unique. It's located on a white sticker. The exact position of this sticker is shown in the following illustration.



Enter the serial number in the appropriate field.

**Serial number:**

**Brand / Category:**

**Model Name:**

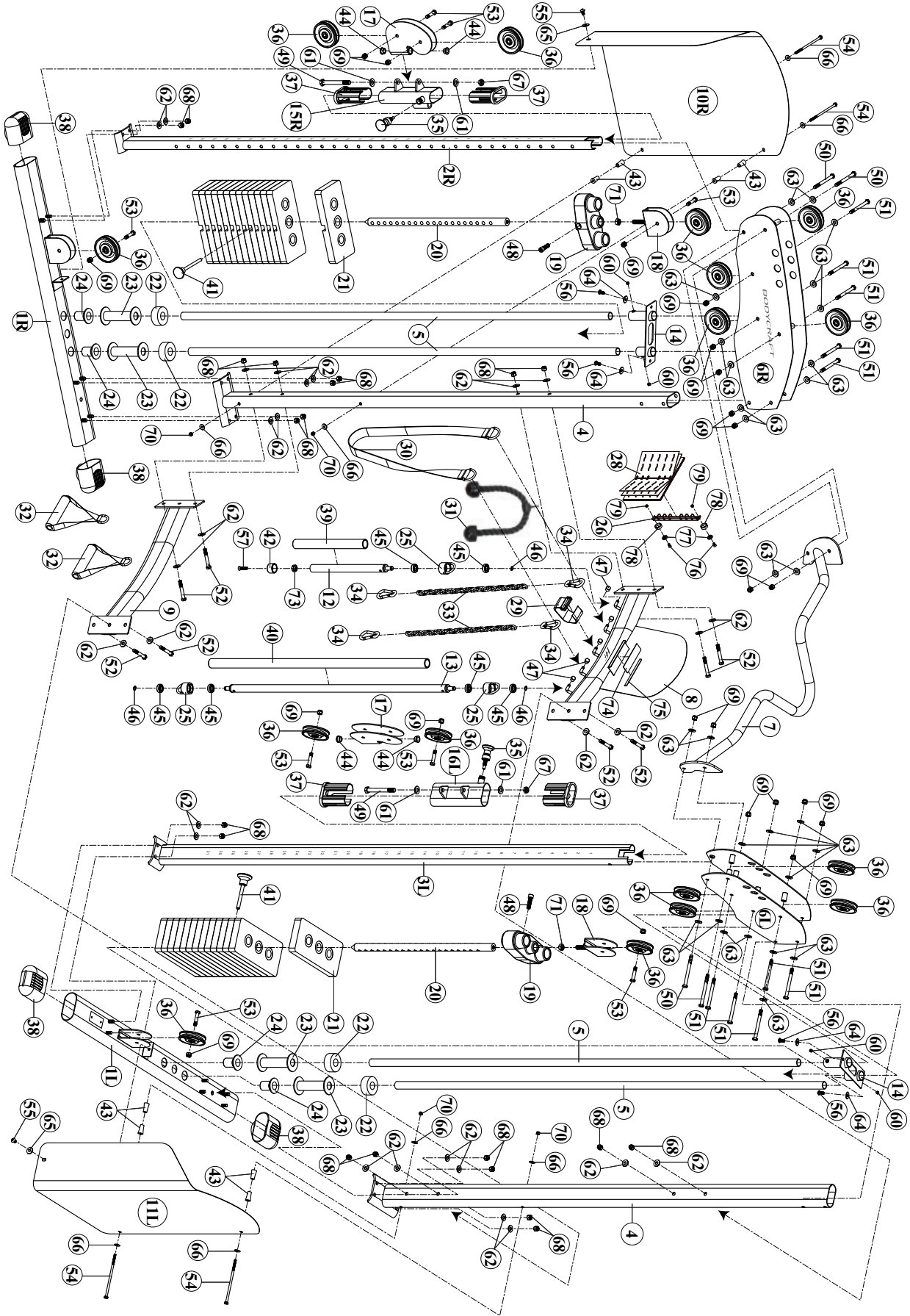
**Article Number:**

## 7.2 Parts List

No.	Name	Qty.	No.	Name	Qty.
1R	BASE FRAME LEG - RIGHT	1	31	TRICEP ROPE	1
1L	BASE FRAME LEG - LEFT	1	32	SINGLE HANDLE	2
2R	UPRIGHT FRAME - RIGHT	1	33	CHAIN	2
3L	UPRIGHT FRAME - LEFT	1	34	SNAP HOOK	4
4	REAR UPRIGHT FRAME	2	35	POP - PIN	2
5	GUIDE ROD	4	36	PULLEY	16
6R	TOP FRAME - RIGHT	1	37	PLASTIC BUSHING	4
6L	TOP FRAME - LEFT	1	38	END CAP	4
7	CHIN - UP BAR	1	39	1" X 295L FOAM GRIP	1
8	TOP CROSS SUPPORT	1	40	1" X 900L FOAM GRIP	1
9	BOTTOM CROSS SUPPORT	1	41	SELECTOR PIN	2
10R	WEIGHT PANEL - RIGHT	1	42	SPACER	1
11L	WEIGHT PANEL - LEFT	1	43	PLASTIC STUDS	8
12	SPORT BAR	1	44	1/2" BUSHING	4
13	LONG BAR	1	45	BEARING	6
14	TOP GUIDE ROD HOLDER	2	46	C - RING	3
15R	PULLEY HEIGHT ADJUSTER – RIGHT	1	47	RUBBER COVER	5
16L	PULLEY HEIGHT ADJUSTER – LEFT	1	48	TOP PLATE BOLT	2
17	ROTATING PULLEY HOLDER	2	49	1/2" X 4-1/4" HEX BOLT	2
18	PULLEY BLOCK	2	50	3/8" X 4-1/4" HEX BOLT	4
19	TOP PLATE	2	51	3/8" X 4" BLACK HEX BOLT	10
20	SELECTOR ROD	2	52	3/8" X 2-1/2" HEX BOLT	8
21	10 LB. WEIGHT PLATE	28	53	3/8" X 1-3/4" HEX BOLT	8
22	RUBBER DONUT	4	54	1/4" X 6" HEX BOLT	4
23	STACK SPACER	4	55	5/16" X 1/2" BOTTOM HEAD BOLT	2
24	PLASTIC GUIDE ROD HOLDER	4	56	5/16" X 5/8" BOTTOM HEAD BOLT	4
25	SPORT BAR COLLAR	3	57	5/16" X 1-1/4" SUNKEN HEAD BOLT	1
26	EXERCISE BOOK HOLDER	1	58	M4 X 40L SUNKEN HEAD SCREW	1
27	CABLE	2	59	M4 X 10L SUNKEN HEAD SCREW	1
28	EXERCISE BOOK	1	60	5/16" X 1/4" SET SCREW	4
29	ANKLE STRAP	1	61	1/2" WASHER	4
30	CHIN ASSIST STRAP	1	62	3/8" CHROMED WASHER	28

63	3/8" BLACK WASHER	28
64	5/16" CHROMED WASHER	4
65	5/16" BLACK WASHER	2
66	1/4" WASHER	8
67	1/2" NYLON NUT	2
68	3/8" CHROMED NYLON NUT	20
69	3/8" BLACK NYLON NUT	22
70	1/4" NYLON NUT	4
71	1/2" NUT	2
72	M4 NYLON NUT	2
73	1" NUT	1
74	RECTANGLE EVA FOAM	1
75	SLIM EVA FOAM	1
76	M5 X 10mm SCREW	2
77	MAGNET	2
78	PLASTIC COVER	2
79	M5 NYLON NUT	2

# 7.3 Exploded Drawing



Products from Taurus® are subject to strict quality control. However, if a fitness equipment purchased from us does not work perfectly, we take it very seriously and ask you to contact our customer service as indicated. We are happy to help you by phone via our service hotline.

### **Error Descriptions**

Your fitness equipment is developed for long-term, high-quality training. However, should a problem arise, please first read the operating instructions. For further assistance, please contact your contract partner or call our service hotline. To ensure your problem is solved as quickly as possible, please describe the defect as exactly as possible.

In addition to the statutory warranty, we provide a warranty for every fitness equipment purchased from us according to the following provisions.

**Your statutory rights are not affected.**

### **Warrantee**

The warrantee is the first/original buyer and/or any person who received a newly purchased product as a gift from the original buyer.

### **Warranty period**

The warranty periods, shown on our web shop, begin on delivery of the fitness equipment. The respective warranty periods for your equipment can be found on its product website.

### **Repair Costs**

According to our choice, there will either be a repair, a replacement of individual damaged parts or a complete replacement. Spare parts, that have to be mounted while assembling the equipment, have to be replaced by the warrantee personally and are not a part of repair. After the expiration of the warranty period, the responsibility for parts costs, repair costs, installation costs and delivery costs lies with the warranty holder.

### **The terms of use are defined as follows:**

- + Home use: solely for private use in private households up to 3 hours per day
- + Semi-professional use: up to 6 hours per day (e. g. rehabilitation centres, hotels, clubs, company gyms)
- + Professional use: more than 6 hours per day (e. g. commercial gyms)

### **Warranty Service**

Within the warranty period, equipment which develops faults as a result of material or manufacturing defects, will be repaired or replaced at our discretion. Ownership of equipment or parts of equipment which have been replaced is transferred to us. The warranty period is not extended nor does a new warranty period begin following repair or replacement under the warranty.



## **Warranty Conditions**

For the warranty to be valid, the following steps must be taken:

Please contact our customer service by email or phone. If the product under warranty has to be sent in for repair, the seller bears costs. After expiry of the warranty, the buyer bears the costs of transport and insurance. If the fault is covered by our warranty, you will receive a new or repaired equipment in return.

### **Warranty claims are invalid in case of damage resulting from:**

- + misuse or improper handling
- + environmental influences (moisture, heat, electrical surge, dust, etc.)
- + failure to follow the current safety measures for the equipment
- + failure to follow the operating instructions
- + use of force (e. g. hitting, kicking, falling)
- + interventions which were not carried out by one of our authorized service centres
- + unauthorised repair attempts

### **Proof of Purchase and Serial Number**

Please make sure that you are able to provide the appropriate receipt when claiming on your warranty. So that we can clearly identify the model of your equipment, and for the purposes of our quality control, you will need to give the serial number of your equipment, when contacting the service team. Where possible please have your serial number and your customer number ready when you call our service hotline. It will help us to deal with your request swiftly.







































If you cannot find the serial number on your fitness equipment, our service team is at your disposal to offer further information.

### **Service outside of the Warranty Period**

We are also happy to issue an individual cost estimate if there is a problem with your fitness equipment after the warranty has expired, or in cases which do not fall under the terms of the warranty, e. g. normal wear and tear. Please contact our customer service team to find a quick and cost-effective solution to your problem. In such a case you will be responsible for the delivery costs.

### **Communication**

Many problems can be solved just by speaking to us as your specialist supplier. We know how important it is to you as a user of the fitness equipment to have problems solved quickly and simply, so you can enjoy working out with minimal interruption. For that reason, we also want to resolve your queries quickly and in a straightforward manner. Thus, please always keep your customer number and the serial number of the faulty equipment handy.

DE	DK	UK
<p><b>TECHNIK</b></p> <p> +49 4621 4210-900</p> <p> +49 4621 4210-698</p> <p> technik@fitshop.de</p> <p> Öffnungszeiten entnehmen Sie unserer Homepage.</p> <p><b>SERVICE</b></p> <p> 0800 20 20277 (kostenlos)</p> <p> 04621 4210 - 0</p> <p> info@fitshop.de</p> <p> Öffnungszeiten entnehmen Sie unserer Homepage: <a href="https://stg.fit/statita">https://stg.fit/statita</a></p>	<p><b>TEKNIK OG SERVICE</b></p> <p> 80 90 16 50</p> <p>+49 4621 4210-945</p> <p> info@fitshop.dk</p> <p> Åbningstider kan findes på hjemmesiden: <a href="https://stg.fit/statit7">https://stg.fit/statit7</a></p> <p><b>FR</b></p> <p><b>TECHNIQUE &amp; SERVICE</b></p> <p> +33 (0) 189 530984</p> <p>+49 4621 42 10 933</p> <p> info@fitshop.fr</p> <p> Vous trouverez les heures d'ouverture sur notre site Internet: <a href="https://stg.fit/statit4">https://stg.fit/statit4</a></p>	<p><b>CUSTOMER SUPPORT</b></p> <p> 00800 2020 2772</p> <p>+494621 4210 944</p> <p> info@fitshop.co.uk</p> <p> You can find the opening hours on our homepage: <a href="https://stg.fit/statitc">https://stg.fit/statitc</a></p> <p><b>BE</b></p> <p><b>TECHNIQUE &amp; SERVICE</b></p> <p> 02 732 46 77</p> <p>+49 4621 4210 933</p> <p> info@fitshop.be</p> <p> Vous trouverez les heures d'ouverture sur notre site Internet: <a href="https://stg.fit/statit8">https://stg.fit/statit8</a></p>
ES	NL	INT
<p><b>TECNOLOGÍA Y SERVICIOS</b></p> <p> 911 238 029</p> <p> info@fitshop.es</p> <p> Consulta nuestro horario de apertura en la página web: <a href="https://stg.fit/statit5">https://stg.fit/statit5</a></p>	<p><b>TECHNISCHE DIENST &amp; SERVICE</b></p> <p> +31 172 619961</p> <p> service@fitshop.nl</p> <p> De openingstijden vindt u op onze homepage: <a href="https://stg.fit/statit3">https://stg.fit/statit3</a></p>	<p><b>TECHNICAL SUPPORT &amp; SERVICE</b></p> <p> +49 4621 4210-944</p> <p> service-int@fitshop.de</p> <p> You can find the opening hours on our homepage: <a href="https://stg.fit/statita">https://stg.fit/statita</a></p>
PL	AT	CH
<p><b>DZIAŁ TECHNICZNY I SERWIS</b></p> <p> 22 307 43 21</p> <p>+49 4621 42 10-948</p> <p> info@fitshop.pl</p> <p> Godziny otwarcia można znaleźć na stronie głównej: <a href="https://stg.fit/statit6">https://stg.fit/statit6</a></p>	<p><b>TECHNIK &amp; SERVICE</b></p> <p> 0800 20 20277 (Freecall)</p> <p>+49 4621 42 10-0</p> <p> info@fitshop.at</p> <p> Öffnungszeiten entnehmen Sie unserer Homepage: <a href="https://stg.fit/statitb">https://stg.fit/statitb</a></p>	<p><b>TECHNIK &amp; SERVICE</b></p> <p> 0800 202 027</p> <p>+49 4621 42 10-0</p> <p> info@fitshop.ch</p> <p> Öffnungszeiten entnehmen Sie unserer Homepage: <a href="https://stg.fit/statit9">https://stg.fit/statit9</a></p>

Please find a detailed overview including address and opening hours for all stores of the Fitshop Group in Germany and abroad on the following website:

[www.fitshop.com/en/stores](http://www.fitshop.com/en/stores)

# WE LIVE FITNESS

## WEBSHOP AND SOCIAL MEDIA


Fitshop is Europe's largest specialist store for home fitness equipment with currently over 70 stores and one of the world's most renowned online mail order companies for fitness equipment. Private customers order via the 25 web shops in the respective national language or have their desired equipment assembled on site. In addition, the company supplies fitness studios, hotels, sports clubs, companies and physio practices with professional equipment for endurance and strength training.

Fitshop offers a wide range of fitness equipment from renowned manufacturers, high-quality in-house developments and comprehensive services, such as a build-up service and sports scientific advice before and after the purchase. The company employs numerous sports scientists, fitness trainers and competitive athletes.

Visit us also on our social media platforms or our blog!

	<a href="http://www.fitshop.co.uk">www.fitshop.co.uk</a> <a href="http://www.fitshop.de/blog">www.fitshop.de/blog</a>
---	--

	<a href="http://www.facebook.com/fitshop.co.uk">www.facebook.com/fitshop.co.uk</a>
---	--

	<a href="http://www.instagram.com/fitshop_uk">www.instagram.com/fitshop_uk</a>
--	--

	<a href="http://www.youtube.com/@fitshop_uk">www.youtube.com/@fitshop_uk</a>
---	--

**TAURUS**

 cardiostrong

*BODYCRAFT*

 cardiojump

 **DUKEFITNESS**

**DARWIN**

Notes



# *BODYCRAFT*