

DUKEFITNESS

ASSEMBLY AND OPERATING INSTRUCTIONS



max. 120 kg



~ 30 Min. 



 30 kg

L 117 | W 61 | H 123

FSDUSC40.01.01

Art. No. DU-SC40

INDOOR CYCLE **SC40** 



Content

1	GENERAL INFORMATION	8
1.1	Technical Data	8
1.2	Personal Safety	9
1.3	Electrical Safety	10
1.4	Set-Up Place	11
2	ASSEMBLY	12
2.1	General Instructions	12
2.2	Scope of Delivery	13
2.3	Assembly	14
2.4	Adjustments	19
2.4.1	Adjusting the pedal belt	19
2.4.2	Adjust the resistance	19
2.4.3	Emergency brake function	19
2.4.4	Saddle adjustment	20
2.4.5	Adjusting the handlebars	20
3	OPERATING INSTRUCTIONS	21
3.1	Console Display	21
3.2	Button Functions	21
3.3	Battery Compartment	22
4	STORAGE AND TRANSPORT	23
4.1	General Instructions	23
4.2	Transportation Wheels	23
5	TROUBLESHOOTING, CARE AND MAINTENANCE	24
5.1	General Instructions	24
5.2	Faults and Fault Diagnosis	24
5.3	Maintenance and Inspection Calendar	25
6	DISPOSAL	25
7	RECOMMENDED ACCESSORIES	26

8	ORDERING SPARE PARTS	27
8.1	Serial Number and Model Name	27
8.2	Parts List	28
8.3	Exploded Drawing	30
9	WARRANTY	31
10	CONTACT	33



Dear customer,

Thank you for choosing a Duke Fitness® brand fitness equipment. Duke Fitness offers you fitness equipment that makes it easy to start exercising regularly, stay fit and lose weight. We want to help you to achieve your fitness goals quickly and sustainably and hope that your new fitness equipment will help you to do so. Do not hesitate to contact us if you have any further questions about your training or fitness equipment, or if you would like to add more equipment to your existing fitness equipment. We wish you much of success!

Further information can be found at www.fitshop.com.

Intended Use

The equipment may only be used for its intended purpose.

The equipment is only suitable for home use. The equipment is not suitable for semi-professional (e.g. hospitals, associations, hotels, schools, etc.) and commercial or professional use (e.g. fitness studios).

Legal Notice

Fitshop GmbH
Europe's No. 1 for home fitness

International Headquarters
Flensburger Straße 55
24837 Schleswig
Germany

Management:
Christian Grau
Sebastian Campmann
Dr. Bernhard Schenkel
No. HRB 1000 SL
Local Court Flensburg
European VAT Number: DE813211547

Disclaimer

© Darwin Fitness is a registered brand of the company Fitshop GmbH. All rights reserved. Any use of this trademark without the explicit written permission of Fitshop is prohibited.

Product and manual are subject to change. Technical data can be changed without advance notice.

FITSHOP

Europe's No.1 for Home Fitness

ABOUT THIS MANUAL

Please carefully read the entire manual before installation and first use. The manual will help you to quickly set up the system and explains how to safely use it. Make sure that all persons exercising with the equipment (especially children and persons with physical, sensory, mental or motor disabilities) are informed about this manual and its contents in advance. In case of doubt, responsible persons must supervise the use of the equipment.



Due to ongoing changes and software optimisations, the manual may have to be updated. If you notice any discrepancies during assembly or use, please refer to the manual uploaded to the webshop. The latest manual is always available there.

This equipment has been manufactured according to the latest safety knowledge. As far as possible, potential safety hazards which could cause injury have been eliminated. Make sure to carefully follow the instructions and that all parts are securely in place. If required, read through the instructions again to correct any mistakes.

Training devices must be classified according to accuracy and use. Accuracy classes are only applicable to devices that display training data.

Accuracy classes

Class A: high accuracy.

Class B: medium accuracy.

Class C: low accuracy.

The use classes explain the intended use of the training device.

Use classes

Class S (studio): professional and/or commercial use.

These training devices are intended for the use in training rooms of facilities such as sports clubs, school facilities, hotels, clubs and studios whose access and supervision is specifically regulated by the owner (person with legal responsibility).

Class H (home use): use at home.

These stationary training devices are intended for the use in private homes where access to the training device is regulated by the owner (person with legal responsibility).

Please pay close attention to the safety and maintenance instructions given here. The contract partner cannot be held liable for damage to health, accidents or damage to the equipment when it is not used in accordance with these instructions.

The following safety instructions may appear in this manual:

► **ATTENTION**

This notice indicates potentially hazardous situations which, if not avoided, may result in property damage.

⚠ **CAUTION**

This notice indicates potentially hazardous situations which, if not avoided, may result in slight or minor injuries!

⚠ **WARNING**

This notice indicates potentially hazardous situations which, if not avoided, may result in death or serious injuries!

⚠ **DANGER**

This notice indicates potentially hazardous situations which, if not avoided, will result in death or serious injuries!

ⓘ **NOTICE**

This notice indicates further useful information.

Retain these instructions in a safe place for future reference, maintenance or when ordering replacement parts.

1.1 Technical Data

LED - Display of

- + Time in min
- + Distance in m
- + Calories in kcal
- + Pulse

Brake system: Magnet manual brake system

Weight and dimensions

Article weight (gross, including packaging):	35.5 kg
Article weight (net, without packaging):	30 kg
Packaging dimensions (L x W x H):	approx. 108 cm x 26 cm x 85 cm
Set-up dimensions (L x W x H):	approx. 117 cm x 61 cm x 123 cm

Maximum user weight: 120 kg

Use class: H

1.2 Personal Safety

DANGER

- + Before you start using the equipment, you should consult your physician that this type of exercise is suitable for you from a health perspective. Particularly affected are persons who: have a hereditary disposition to high blood pressure or heart disease, are over the age of 45, smoke, have high cholesterol values, are overweight and/or have not exercised regularly in the past year. If you are under medical treatment that affects your heart rate, medical advice is absolutely essential.
- + Note that excessive training can seriously endanger your health. Please also note that heart rate monitoring systems can be inaccurate. If you notice any signs of weakness, nausea, dizziness, pain, shortness of breath, or other abnormal symptoms, stop exercising immediately and seek advice from your doctor if necessary.
- + The owner must communicate all warnings and instructions to the user.

WARNING

- + This equipment may not be used by children under the age of 14.
- + Children should not be allowed unsupervised access to the equipment.
- + Persons with disabilities must have a medical license and must be under strict observation when using the equipment.
- + Remember that your device does not have a freewheel function. Therefore moving parts cannot be stopped immediately.
- + Note that the individual physical power required to perform an exercise may differ from the displayed mechanical power.
- + When ascending and descending, make sure that one of the treads is in the lowest position.
- + The equipment is strictly for use by one person at a time.
- + Keep your hands, feet and other body parts, hair, clothing, jewellery and other objects well clear of moving parts.
- + During use, wear suitable sports clothing rather than loose or baggy clothing. When wearing sports shoes, make sure they have suitable soles, preferably made of rubber or other non-slip materials. Shoes with heels, leather soles, studs or spikes are unsuitable. Never exercise barefoot.

CAUTION

- + If your equipment needs to be connected to the power supply with a mains cable, make sure that the cable is not a potential tripping hazard.
- + Make sure that nobody is within the range of motion of the equipment during training so as not to endanger you or other persons.
- + Do not insert any objects of any kind into the openings of the device.
- + Be aware that if adjustment devices are left protruding, they may impede the user's movement.

1.3 Electrical Safety

DANGER

- + In order to reduce the risk of an electric shock, always unplug the equipment from the mains socket immediately after your workout, before assembly or dismantling, and before maintenance or cleaning. Do not pull on the cable.

WARNING

- + Do not leave the equipment unattended while the mains cable is plugged into the mains socket. During your absence, the mains cable must be removed from the mains socket to prevent improper use by third parties or children.
- + If the mains cable or plug is damaged or defective, contact your contract partner. Until repair, the equipment must not be used.

ATTENTION

- + The equipment requires a mains connection of 220-230 V with 50 Hz mains voltage.
- + The equipment may only be connected directly to an earthed socket using the supplied mains cable. Extension cables must conform to VDE guidelines. Always completely unwind the mains cable.
- + The socket must be protected by a fuse with a minimum fuse rating of "16 A, slow blow".
- + Do not make any changes to the mains cable or the mains plug.
- + Keep the mains cable away from water, heat, oil and sharp edges. Do not route the mains cable underneath the equipment or under a carpet or rug, and do not place any objects on top of it.
- + If your purchased item is equipped with a TFT console, software updates must be carried out regularly. Follow the instructions on the console to perform the update(s).
- + The software systems on gym equipment with TFT consoles are set up only for the pre-installed apps. Do not install any additional apps.

NOTICE

- + The pre-installed apps on TFT consoles are produced and provided by external manufacturers. Fitshop does not take any responsibility for the availability, functionality or contents of these apps.

1.4 Set-Up Place

WARNING

- + Do not place the equipment in main corridors or escape routes.

CAUTION

- + Choose a location in which to place the equipment such that there is enough free space/clearance to the front, the rear and to the sides of the equipment.
- + The training room should be well ventilated during training and not be exposed to any draughts.
- + Choose the place in which to set up the equipment such that there is enough free space/clearance to the front, the rear and to the sides of the equipment.
- + The free area in the direction from which the exercise equipment is accessed must be at least 0.6 m larger than the exercise area.
- + The set-up and mounting surface of the equipment should be flat, loadable and solid.

ATTENTION

- + The device may only be used in one building, in sufficiently tempered and dry rooms (ambient temperatures between 10°C and 35°C). The equipment should not be used outdoors or in rooms with high humidity (over 70%) like swimming pools.
- + A floor protective mat/equipment underlay can help to protect high-quality floor coverings (parquet, laminate, cork, carpets) from dents and sweat and can help to level out slight unevenness.
- + For Class S equipment, the exercise equipment may only be used in areas where access, supervision and control are specifically regulated by the owner.

2.1 General Instructions



DANGER

- + Do not leave any tools, packaging materials such as foils or small parts lying around, as otherwise there is a danger of suffocation for children. Keep children away from the equipment during assembly.



WARNING

- + Pay attention to the instructions attached to the equipment in order to reduce the risk of injuries.



CAUTION

- + Do not open the packaging when it is lying on its side.
- + Ensure to have sufficient room for movement in each direction during assembly.
- + The assembly of the equipment must be carried out by at least two adults. If in doubt, seek the help of a third technically skilled person.



ATTENTION

- + To prevent damage to the equipment and the floor, assemble the equipment on a mat or packaging board.



NOTICE

- + In order to make the assembly as simple as possible, some screws and nuts to be used can already be pre-assembled.
- + Ideally, assemble the equipment at its later set-up place.

2.2 Scope of Delivery

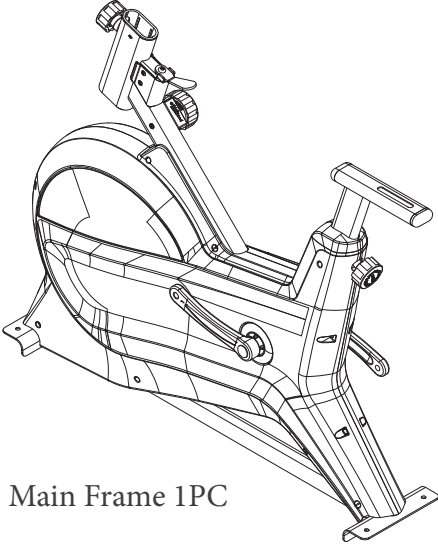
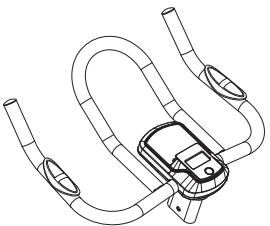
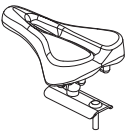
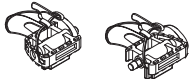
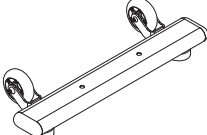
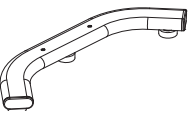

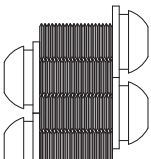
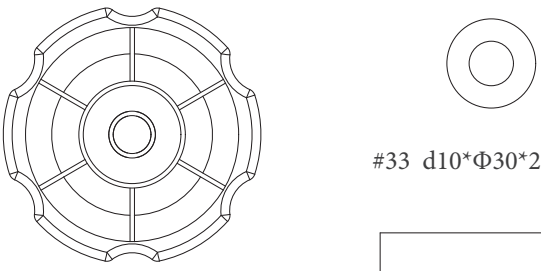
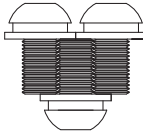
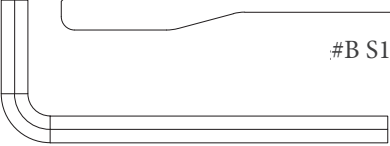
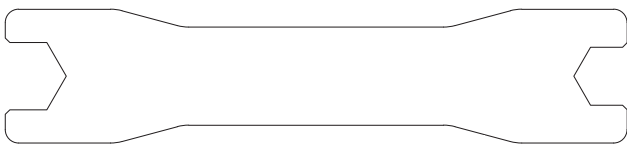
The scope of delivery consist of the following parts. At the beginning, check whether all parts and tools belonging to the device are included in the scope of delivery and whether damage has occurred. In the event of complaints, the contractual partner must be contacted directly.

⚠ CAUTION

If parts of the scope of delivery are missing or damaged, the assembly must not be carried out.

📘 NOTICE

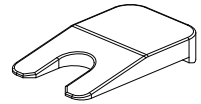
Batteries are not included in the scope of delivery. The following batteries are required: 2x AA

 <p>Main Frame 1PC</p>	 <p>Handlebar 1PC</p>	 <p>Seat 1PC</p>	 <p>Pedals 2PCS</p>
	 <p>Front Stabilizer 1PC</p>	 <p>Rear Stabilizer 1PC</p>	 <p>Hardware List 1PC</p>
 <p>#9 M8*20*S6 4PCS #10 d8 4PCS #11 d8*Φ16*1.5 4PCS</p>	 <p>#34 M10*Φ58*32 1PC</p> <p>#33 d10*Φ30*2.5 1PC</p>		
 <p>#10 d8 3PCS #11 d8*Φ16*1.5 3PCS #76 M8*16*S6 3PCS</p>	 <p>#A S6 1PC</p>	 <p>#B S13*15 1PC</p>	

2.3 Assembly

▶ ATTENTION

Please remove the brake stop from the brake handle before you start assembling the indoor cycle.



Before assembly, take a close look at the individual assembly steps shown and carry out the assembly in the order given.

ⓘ NOTICE

First loosely screw all parts together and check that they fit properly. Tighten the screws using the tool only when you are instructed to do so.

Step 1: Assembly of the rear and front stabilizer and the pedals

1. Attach the front and rear stabilizer (1 & 12) to the main frame (81) with four screws (9), four spring washers (10), and four washers (11) and tighten with the allen wrench (A).

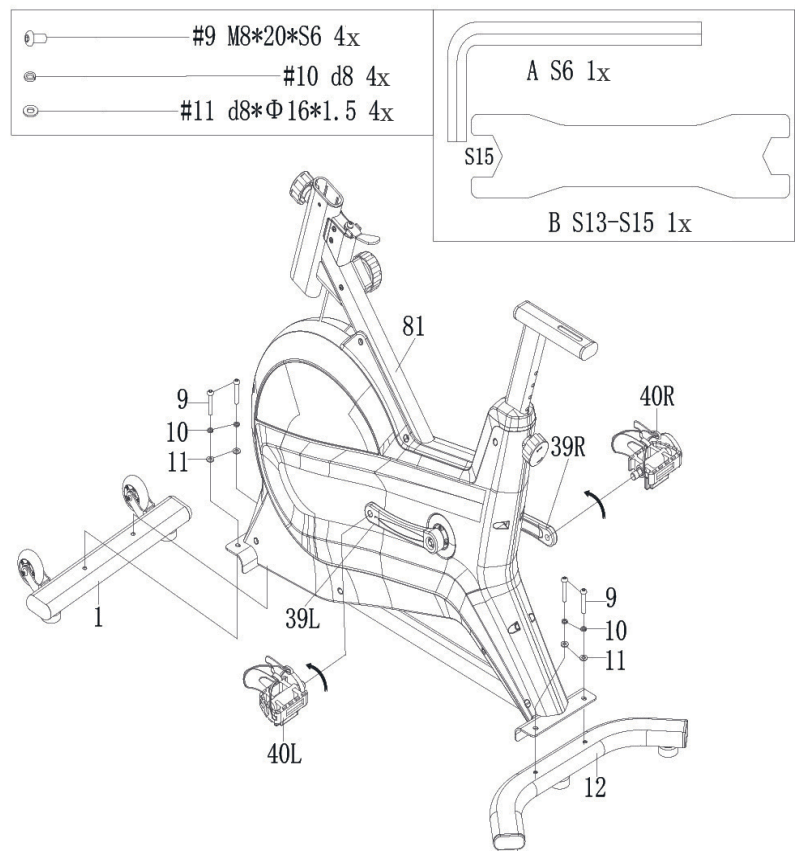
ⓘ NOTICE

The pedals (27L/R) are marked with "L" and "R" for left and right. Be sure to attach the correct pedal to the appropriate crank.

2. Attach the left pedal (40L) to the left crank (39L) by turning the left pedal (40L) counterclockwise by hand until it is firmly seated, then use the spanner (B) to tighten it.
3. Attach the right pedal (40R) to the right crank (39R) by turning the right pedal (40R) clockwise by hand until it is firmly seated, and then use the spanner (B) to tighten it.

⚠ CAUTION

Make sure to screw in the pedals completely.



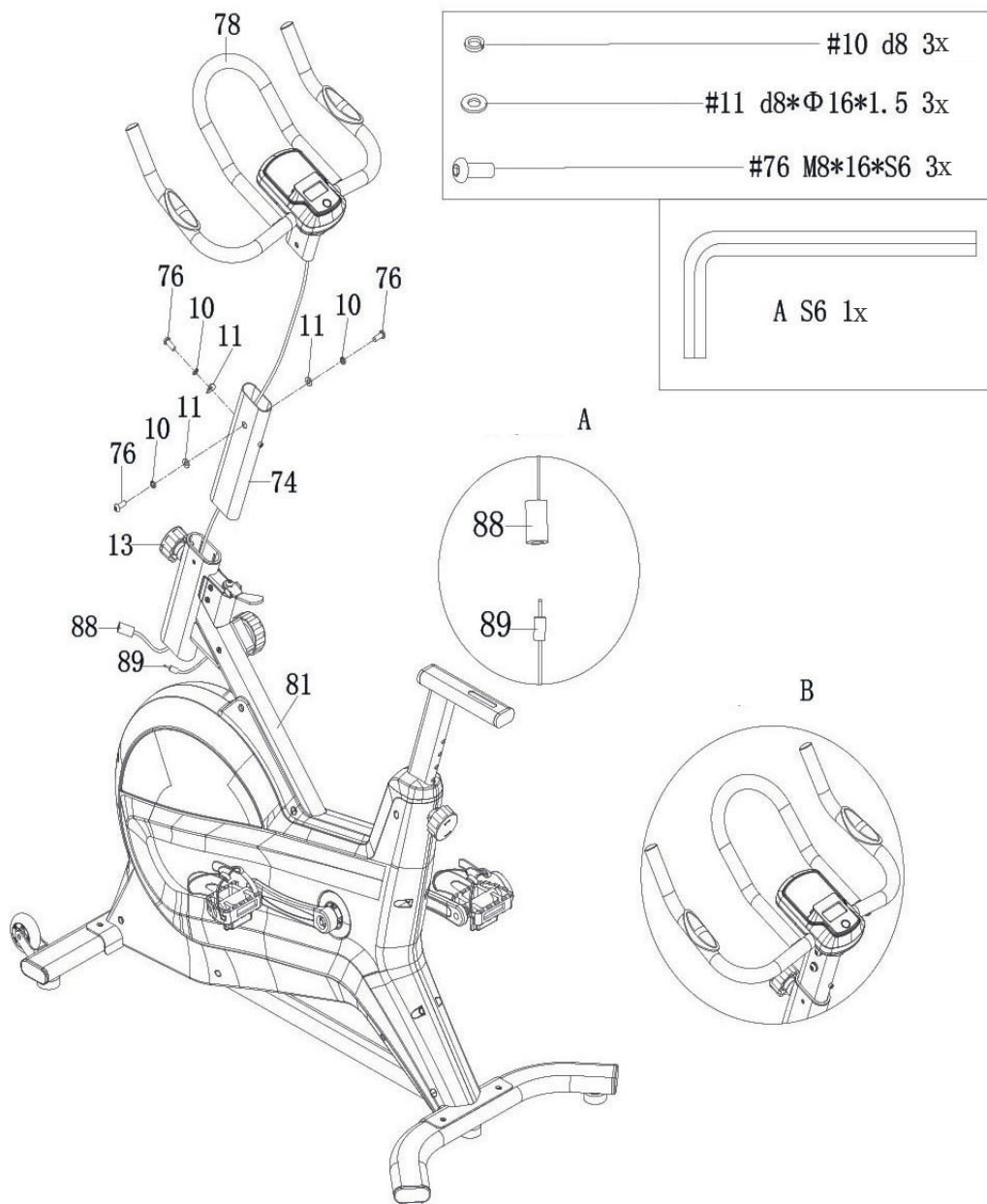
Step 2: Assembly of the handlebar post

1. Pass the cable (88) through the handlebar post (74) and the main frame (81).

► ATTENTION

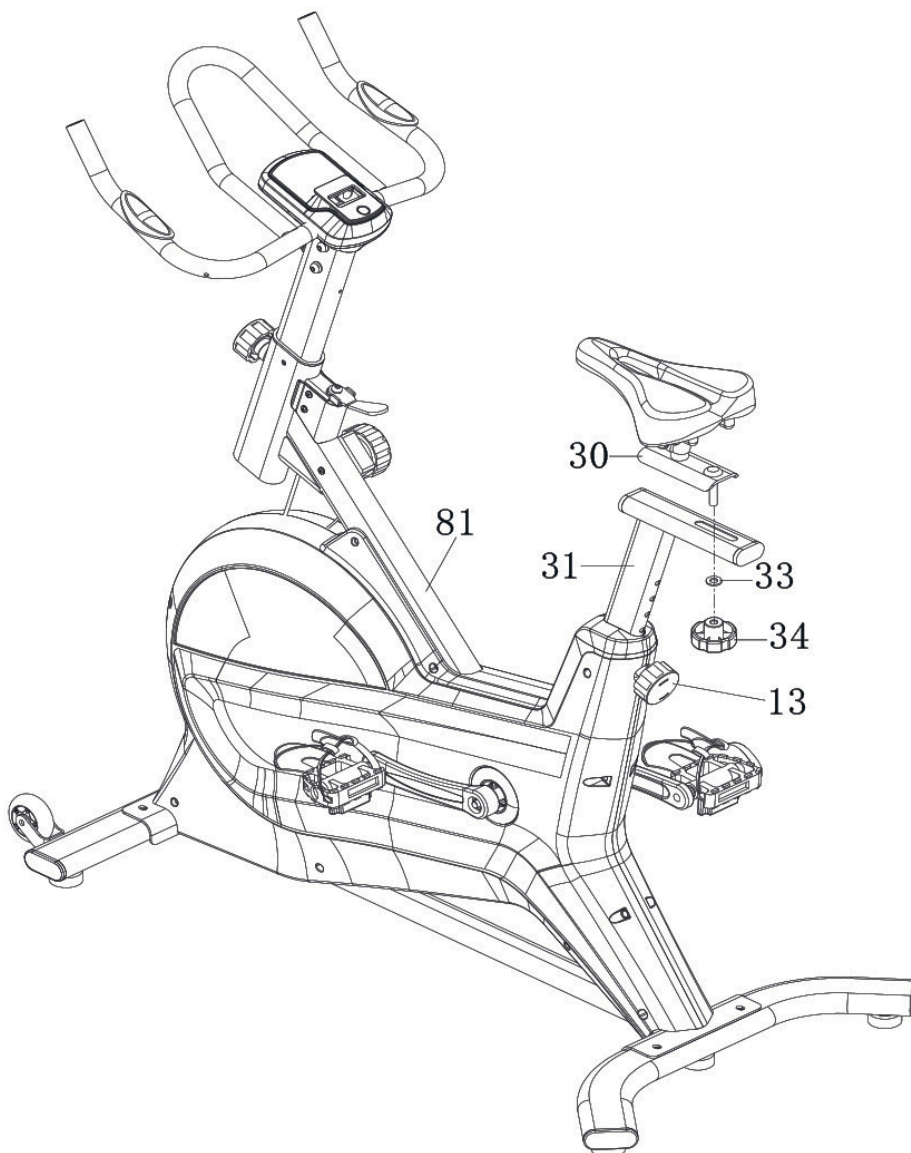
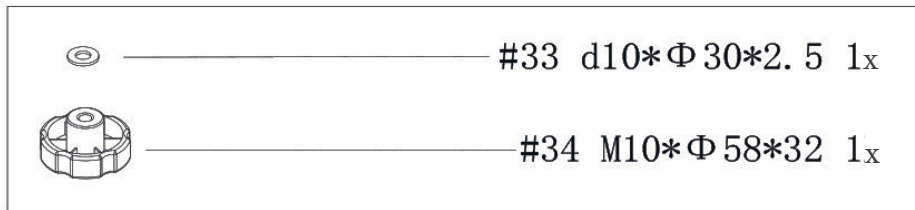
Make sure not to pinch the cable during the next steps.

2. Attach the handlebar (78) to the handlebar post (74) using three screws (76), three spring washers (10) and three washers (11) and tighten with the allen wrench (A) (Fig. B).
3. Loosen the knob (13) and pull it out.
4. Slide the handlebar post (74) into the main frame (81) and position it at the desired height.
5. Fasten the handlebar post (74) with the previously released knob (13) by tightening it again.
6. Connect the trunk line (88) to the sensor wire (89) (Fig. A).



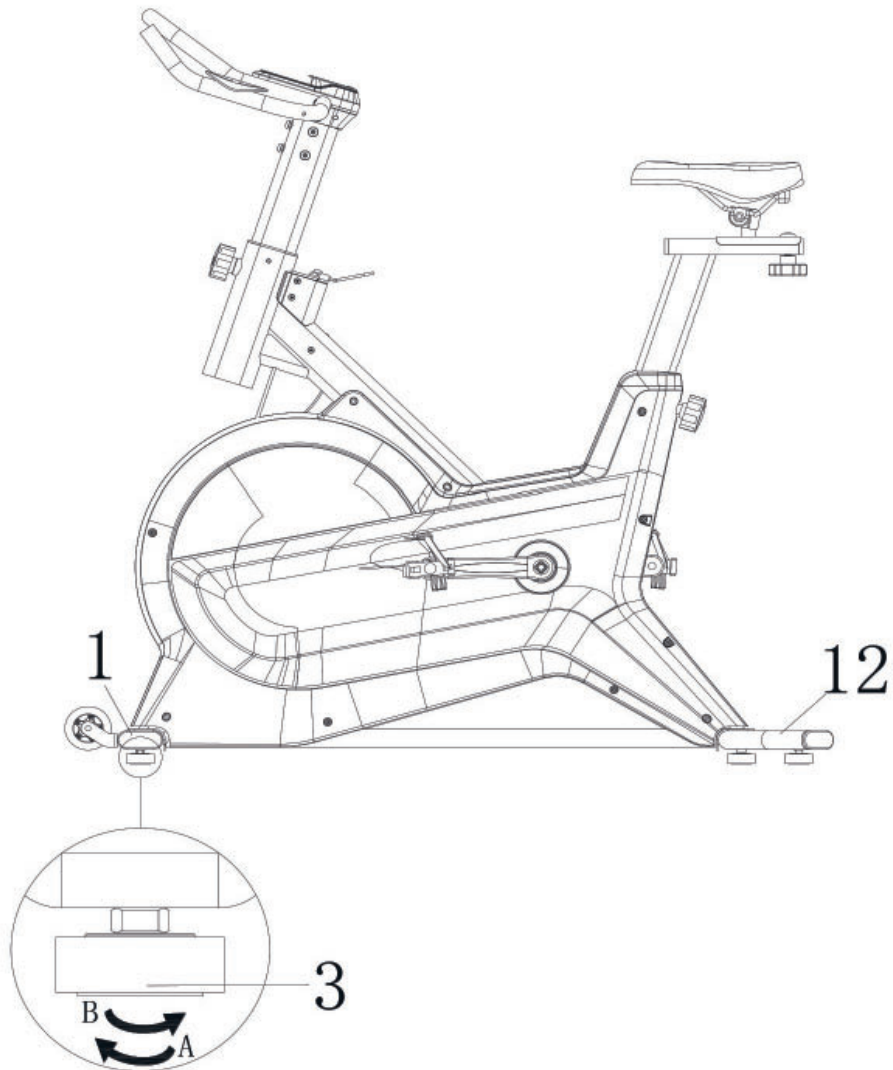
Step 3: Assembly of the seat

1. Attach the seat slider (30) to the seat post (31) using a washer (33) and the knob (34).
2. Now tighten all screw connections tightly



Step 4: Alignment of the feet

1. If the floor is uneven, you can stabilise the unit by turning the foot pads (3) under the stabilisers (1 & 12).
2. Lift the unit to the desired side and turn the foot pad under the stand.
3. Turn the foot pad clockwise to remove it and lift the unit.
4. Turn the foot pad counterclockwise to lower the unit.

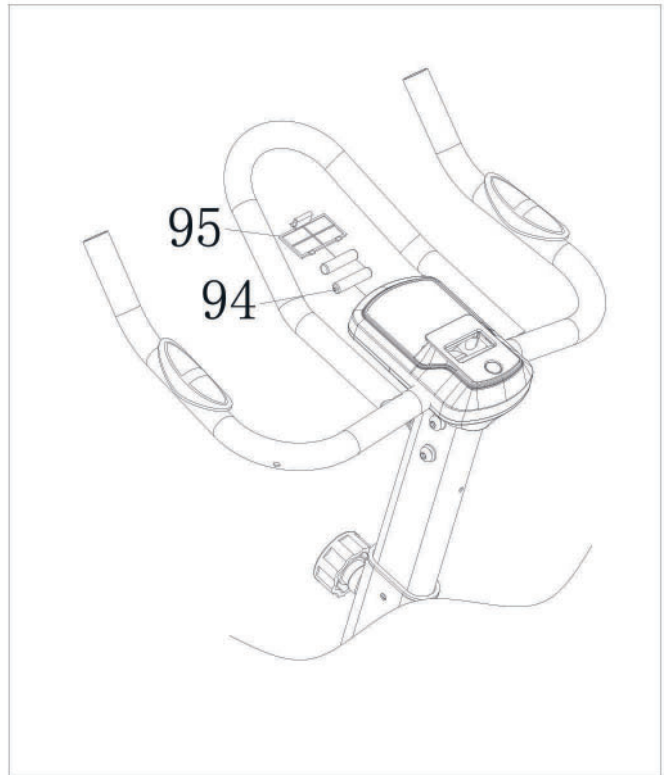


Step 4: Insertment of the batteries

ⓘ NOTICE

Pay attention to the correct polarity (+ and -) in the following step.

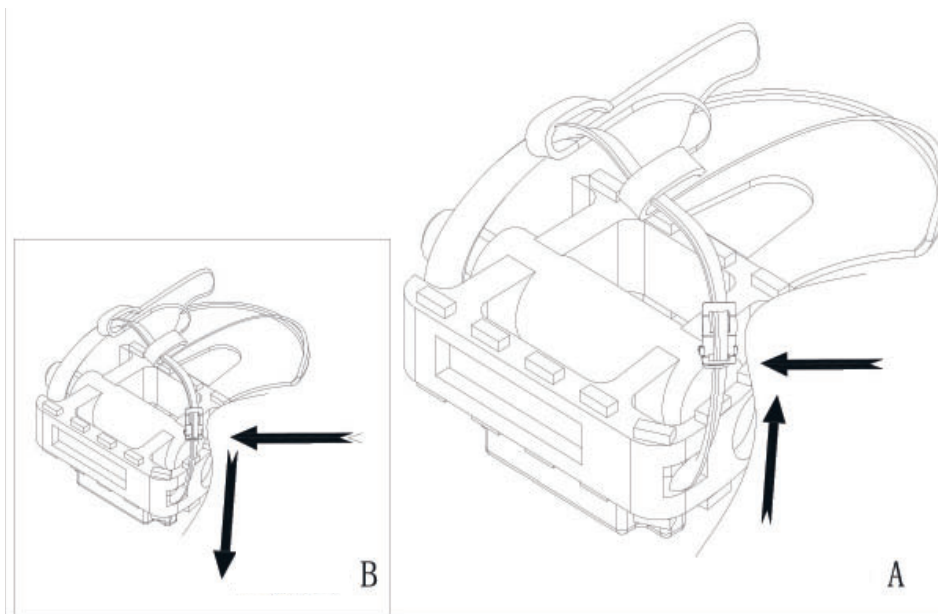
1. Remove the battery cover (95) from the console and insert the supplied batteries (94).
2. Close the battery compartment again.



2.4 Adjustments

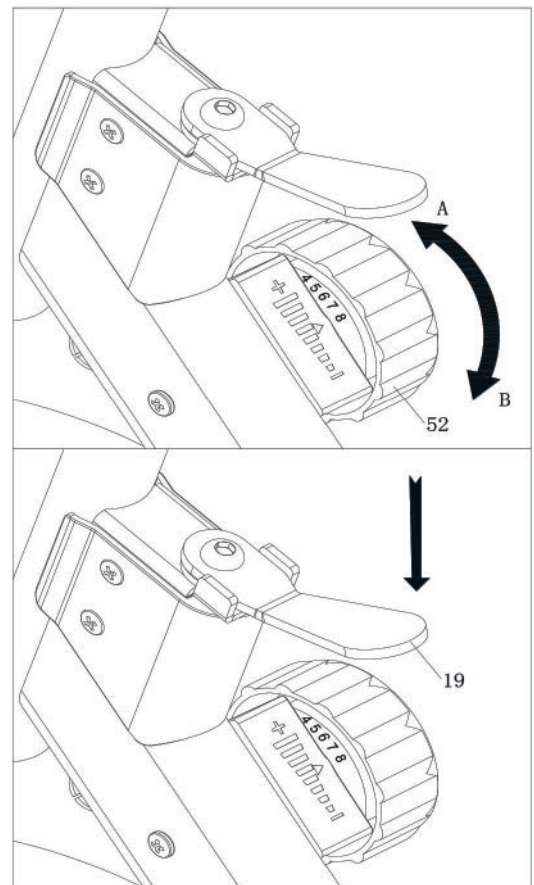
2.4.1 Adjusting the pedal belt

- + If the pedal strap is too tight, push the buckle and pull the strap upwards to loosen it. (Fig. A).
- + If the pedal strap is too loose, push the buckle and pull the strap down to pull it tighter (Fig. B).



2.4.2 Adjust the resistance

- + To increase the resistance, turn the knob (52) ("+") clockwise (A).
- + To decrease the resistance, turn the knob (52) ("-") counterclockwise (B).



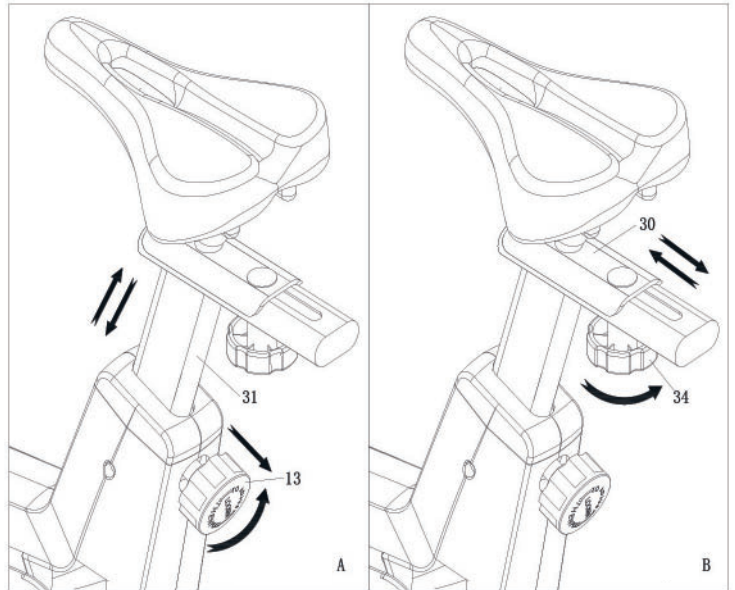
2.4.3 Emergency brake function

- + The brake handle (19) is an emergency brake. Use this safety function in any situation where you need to get off the bike or stop the indoor cycle flywheel. During exercise, press the brake lever firmly (19) to stop the Indoor Cycle immediately.

2.4.4 Saddle adjustment

The seat of this indoor cycle is adjustable horizontally and vertically.

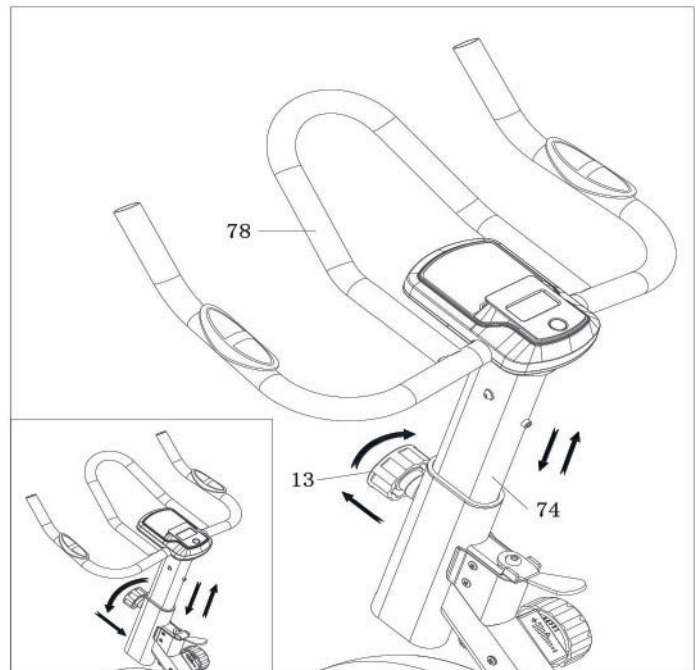
- + To adjust the saddle vertically, release and pull out the knob (13) on the seat frame (31) and lift or lower the saddle to the desired height. After adjustment, reinsert the knob (13) and tighten it again (Fig. A).
- + To adjust the saddle horizontally, turn the knob (34) on the seat slider (30) out and then slide the seat slider (30) into the desired position. After positioning, tighten the knob (34) again (Fig. B).



2.4.5 Adjusting the handlebars

The height of the handlebar of the indoor cycle is adjustable

- + To adjust the height of the handlebar (78), loosen and pull out the knob (13) on the handlebar post (74) and then push the handlebar post (74) up or down to the desired height. After adjustment, tighten the knob (13) again.

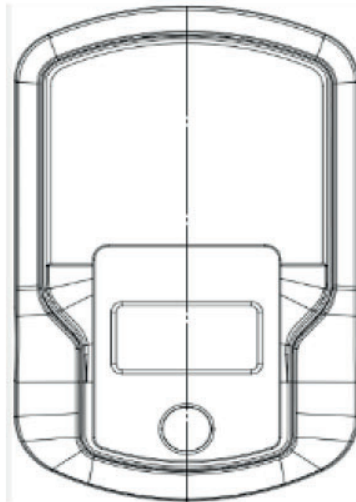


3 OPERATING INSTRUCTIONS

① NOTICE

Familiarise yourself with all the functions and setting options of the device before starting training. Have the proper use of this product explained to you by a specialist.

3.1 Console Display



TIME	+ Display of the training time + Display range 0:00 – 99:59
SPEED	+ Display of the current speed + Display range 0.0 – 240 km/h
DISTANCE	+ Display of the covered distance + Display range 0 – 999.9 km
CALORIES	+ Display of calories + Display range 0 – 999.9 kcal
PULSE	+ Display of total beats + Display range 0 – 240 beats/min
SCAN	+ Automatically changing display of individual parameters (TIME - SPEED - DISTANCE - CALORIES - PULSE)
BATTERY	+ Batteries must be replaced when necessary. Use two AAA batteries.

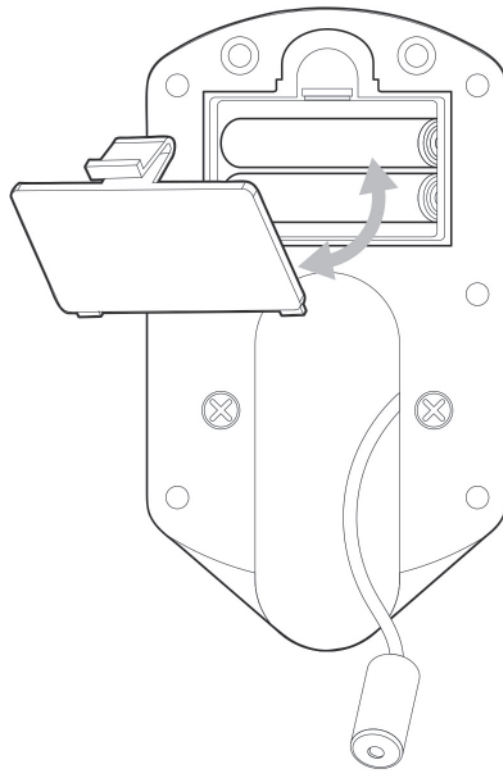
3.2 Button Functions

MODE	Use this button to switch between the display of the different parameters manually.
-------------	---

3.3 Battery Compartment

The console is powered by two AAA 1.5V batteries. In case the console is not working properly, the batteries might be running low. Follow the instructions to exchange the batteries.

1. Open the battery compartment cover and remove the batteries.
2. Insert two new AAA 1.5V batteries and close the cover again.



4.1 General Instructions

▶ ATTENTION

- + Make sure that the equipment is protected from moisture, dust and dirt in the selected storage location. The storage location should be dry and well ventilated and have a constant ambient temperature between 5°C and 45°C.

⚠ WARNING

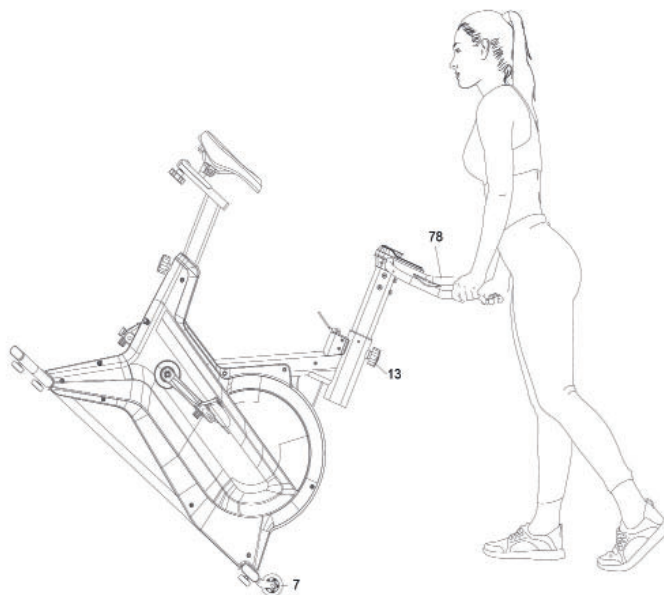
- + The storage location should be chosen so that improper use by third parties or children can be prevented.
- + If your equipment does not have transportation wheels, the equipment must be disassembled before transportation.

4.2 Transportation Wheels

▶ ATTENTION

If you want to transport your equipment over particularly sensitive and soft floor coverings, such as parquet, planks or laminate, lay out the transport route with cardboard or similar to avoid possible floor damage.

1. Stand in front of the equipment and lift it until the weight is transferred to the transportation wheels. After that, you easily can move the equipment to a new position. For long transport distances the equipment should be disassembled and safely packed.
2. Select the new location by following the instructions in the section 1.4 of this manual.



5.1 General Instructions



WARNING

- + Do not make any improper changes to the equipment.



CAUTION

- + Damaged or worn components may affect your safety and the life of the equipment. Therefore, immediately replace damaged or worn components. In such a case, contact the contract partner. The equipment must not be used until it has been repaired. If necessary, use only original spare parts.

ATTENTION

- + In addition to the instructions and recommendations for maintenance and care given here, additional service and/or repair work may be necessary; this must only be carried out by authorised service technicians.

5.2 Faults and Fault Diagnosis

The equipment undergoes regular quality controls during production. Nevertheless, faults or malfunctions may occur. Frequently, individual parts are responsible for these disturbances, an exchange is usually sufficient. Please refer to the following overview for the most common errors and how to correct them. If the equipment still does not function properly, contact your contract partner.

Squeaking or cracking noise	Loose or too tight screw connections	Check screw connections or lubricate
Cracking in the pedals	Loose pedals	Tighten pedals
Machine is wobbling	Machine is not levelled	Align feet
Handlebar/saddle is wobbling	Loose screws	Tighten screws
Display does not work	battery empty or loose cable connection	Replace batteries or check cable connections / power supply unit
No pulse display	<ul style="list-style-type: none"> + Sources of interference in the room + Unsuitable chest strap + Position of the chest strap incorrect + Batteries empty 	<ul style="list-style-type: none"> + Remove sources of interference (e. g. mobile phone, speakers, WLAN, mover- and cleaning robot, etc.) + Use suitable chest strap (see recommended accessories) + Reposition chest strap and/or moisten electrodes + Change batteries

5.3 Maintenance and Inspection Calendar

To avoid damage from body sweat, the equipment must be cleaned with a damp towel (no solvents!) after each training session.

The following routine tasks must be performed at the specified intervals:

Part	Weekly	Monthly
Display console	C	I
Plastic covers	C	I
Screws and cable connections		I
Check pedals for tightness		I
Legend: C = clean; I = inspect		

6 DISPOSAL

At the end of its operational life, this equipment cannot be disposed of in normal household waste. Instead, it must be disposed of via an electricals recycling centre. Further information can be obtained from your local authority's recycling service.



The materials can be recycled as per their symbols. Through the reuse, recycling of materials or other forms of recovery of old equipment, you make an important contribution to the protection of the environment.

To make your training experience even more efficient and pleasant, we recommend that you add suiting accessories to your fitness equipment. This could be a floor mat, for example, which makes your fitness equipment stand more securely and also protects the floor from falling sweat, but it could also be additional handrails on some treadmills or silicone spray to keep moving parts in good shape.

If you have purchased a fitness machine with pulse training and want to train your heart rate, we strongly recommend that you use a compatible chest strap, as this ensures optimum transmission of the heart rate. You may want to buy additional grips or weights for multi gyms.

Our range of accessories offers the highest quality and makes training even better. If you would like to find out more about compatible accessories, please go to the detail page of the product in our webshop (the easiest way is to enter the article number in the search field above) and go to the recommended accessories on this page. Of course, you can also contact our customer service: by telephone, e-mail, in one of our branches or via our social media channels. We will be happy to advise you!



floor mat



chest strap



chest strap contact gel



towels



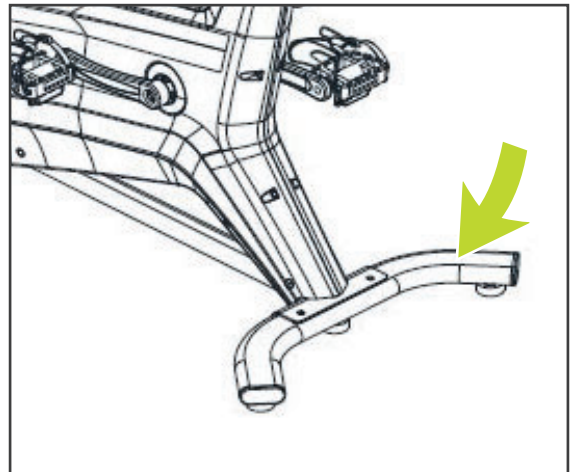
silicone spray

8.1 Serial Number and Model Name

In order to provide you with the best possible service, please have the model name, article number, serial number, exploded drawing and parts list ready. The corresponding contact options can be found in chapter 10 of this operating manual.

NOTICE

The serial number of your equipment is unique. It's located on a white sticker. The exact position of this sticker is shown in the following illustration.



Enter the serial number in the appropriate field.

Serial number:

Brand / Category:

Model Name:

Article Number:

8.2 Parts List

No.	Name	Qty.	No.	Name	Qty.
1	Front stabilizer	1	31	Seat post	1
2	Hexagon nut M8*H5.5*S14	5	32	End cap PT50*25*16	2
3	Foot pad $\Phi 52*43*M8$	5	33	Washer d10* $\Phi 30*2.5$	1
4	End cap PT70*30*20	4	34	Knob M10* $\Phi 58*32$	1
5	Screw M6*12*S5	2	35	Cover 99.3*83.5*24.7	1
6	Bearing 608ZZ	4	36	Bushing PT70*30*PT60*20*L145*10	1
7	Transport wheel $\Phi 71*\Phi 19*24$	2	37	Crank plug $\Phi 25*7$	2
8	Screw $\Phi 7.8*30*M6*15*S5$	2	38	Hexagon nut M10*1.25*H7.5*S14	2
9	Screw M8*20*S6	4	39L/R	Crank	2
10	Spring washer d8	7	40L/R	Pedal	2
11	Washer d8* $\Phi 16*1.5$	7	41	Screw ST4.2*16* $\Phi 8$	6
12	Rear stabilizer	1	42	Screw ST4.2*19* $\Phi 8$	10
13	Knob M16*1.5* $\Phi 27$	2	43L/R	Belt Cover	2
14	Bushing PT80*40*PT70*30*L130	1	44	C Clip d17	1
15	Brake block 68*75*39.2	1	45	Bearing 6203-2RS	2
16	Screw M5*7* $\Phi 10$	6	46	Bushing $\Phi 22*\Phi 17.1*5.5$	1
17	Brake cable $\Phi 1.5*305*42$	1	47	Magnet $\Phi 15*7$	1
18	Bolt M6*10*H26*S5	1	48	Belt Wheel $\Phi 220*20*\Phi 17.1*4-\Phi 6*\Phi 60-6PJ$	1
19	Brake handle	1	49	Middle Axle $\Phi 17*172*4-\Phi 6.1*\Phi 60$	1
20	Washer $\Phi 8.5*\Phi 23.5*3$	1	50	Bolt M6*16*S10	6
21	Spring $\Phi 1.2*\Phi 11*21*N7$	1	51	Belt	1
22	Cable base t3*25*23	1	52	Tension knob	1
23	Nylon nut M6*H6*S10	8	53	Spring washer d6	2
24	Hexagon bolt M6*10*S10	1	54	Washer d6* $\phi 12*1.2$	2
25	Washer d6* $\Phi 16*1.5$	1	55	RING-SHIELD d12	2
26	Bearing 6001-2RS	4	56	Magnet 40*25*10	7
27	idle pulley $\Phi 39*\Phi 34*24$	1	57	Magnet Holder 45.5*130*10.5	2
28	Wave washer d12* $\Phi 15.5*0.3$	1	58	Magnetic plate	1
29	Seat	1	59	Magnetic plate shaft $\phi 12*53.5*47.4*M6$	1
30	Seat slider	1	60	Screw ST3*10* $\Phi 5.6$	9

61	Spring $\Phi 1.5 \times \Phi 15 \times 54 \times N9$	2	81	Main frame	1
62	Brake pad 60*27*5	1	82	Washer d5* $\Phi 13 \times 1$	1
63	Brake Pad Holder	1	83	Screw M5*16* $\Phi 8$	1
64	Screw M6*16*S5	2	84	Pulse Sensor	2
65	Brake connected plate	1	85	Screw ST4.0*19* $\Phi 7$	2
66	Hexagon nut M12*1*H11*S18	2	86	Plug $\Phi 12 \times 11 \times \Phi 3$	2
67	Hexagon nut M10*1.0	1	87	Meter	1
68	Bolt M6*50* $\Phi 12 \times 4$	1	88	Trunk Line	1
69	Idler connecting rod	1	89	Sensor Wire	1
70	Hexagon nut M12*1*H7*S19	1	90	PU Washer	1
71	Cover	2	91	Tension knob bracket	1
72	Flywheel	1	92	Wave washer d17* $\Phi 22 \times 0.3$	1
73	Flywheel axle	1	93	Washer d5* $\phi 10 \times 1.0$	4
74	Handlebar post	1	94	Battery	2
75	Screw M5*8* $\Phi 10$	1	95	Battery cover	1
76	Screw M8*16*S6	3	A	Allen wrench S6	1
77	Nut M12*1*H5*S17	3	B	Spanner S13-S15	1
78	Handlebar	1			

8.3 Exploded Drawing



Products from Duke Fitness® are subject to strict quality control. However, if a fitness equipment purchased from us does not work perfectly, we take it very seriously and ask you to contact our customer service as indicated. We are happy to help you by phone via our service hotline.

Error Descriptions

Your fitness equipment is developed for long-term, high-quality training. However, should a problem arise, please first read the operating instructions. For further assistance, please contact your contract partner or call our service hotline. To ensure your problem is solved as quickly as possible, please describe the defect as exactly as possible.

In addition to the statutory warranty, we provide a warranty for every fitness equipment purchased from us according to the following provisions.

Your statutory rights are not affected.

Warrantee

The warrantee is the first/original buyer and/or any person who received a newly purchased product as a gift from the original buyer.

Warranty period

The warranty periods, shown on our web shop, begin on delivery of the fitness equipment. The respective warranty periods for your equipment can be found on its product website.

Repair Costs

According to our choice, there will either be a repair, a replacement of individual damaged parts or a complete replacement. Spare parts, that have to be mounted while assembling the equipment, have to be replaced by the warrantee personally and are not a part of repair. After the expiration of the warranty period, the responsibility for parts costs, repair costs, installation costs and delivery costs lies with the warranty holder.

The terms of use are defined as follows:

- + Home use: solely for private use in private households up to 3 hours per day
- + Semi-professional use: up to 6 hours per day (e. g. rehabilitation centres, hotels, clubs, company gyms)
- + Professional use: more than 6 hours per day (e. g. commercial gyms)

Warranty Service

Within the warranty period, equipment which develops faults as a result of material or manufacturing defects, will be repaired or replaced at our discretion. Ownership of equipment or parts of equipment which have been replaced is transferred to us. The warranty period is not extended nor does a new warranty period begin following repair or replacement under the warranty.

Warranty Conditions

For the warranty to be valid, the following steps must be taken:

Please contact our customer service by email or phone. If the product under warranty has to be sent in for repair, the seller bears costs. After expiry of the warranty, the buyer bears the costs of transport and insurance. If the fault is covered by our warranty, you will receive a new or repaired equipment in return.

Warranty claims are invalid in case of damage resulting from:

- + misuse or improper handling
- + environmental influences (moisture, heat, electrical surge, dust, etc.)
- + failure to follow the current safety measures for the equipment
- + failure to follow the operating instructions
- + use of force (e. g. hitting, kicking, falling)
- + interventions which were not carried out by one of our authorized service centres
- + unauthorised repair attempts

Proof of Purchase and Serial Number

Please make sure that you are able to provide the appropriate receipt when claiming on your warranty. So that we can clearly identify the model of your equipment, and for the purposes of our quality control, you will need to give the serial number of your equipment, when contacting the service team. Where possible please have your serial number and your customer number ready when you call our service hotline. It will help us to deal with your request swiftly.

If you cannot find the serial number on your fitness equipment, our service team is at your disposal to offer further information.

Service outside of the Warranty Period

We are also happy to issue an individual cost estimate if there is a problem with your fitness equipment after the warranty has expired, or in cases which do not fall under the terms of the warranty, e. g. normal wear and tear. Please contact our customer service team to find a quick and cost-effective solution to your problem. In such a case you will be responsible for the delivery costs.

Communication

Many problems can be solved just by speaking to us as your specialist supplier. We know how important it is to you as a user of the fitness equipment to have problems solved quickly and simply, so you can enjoy working out with minimal interruption. For that reason, we also want to resolve your queries quickly and in a straightforward manner. Thus, please always keep your customer number and the serial number of the faulty equipment handy.

DE	DK	UK
<p>TECHNIK</p> <p> +49 4621 4210-900 +49 4621 4210-698 technik@fitshop.de Öffnungszeiten entnehmen Sie unserer Homepage.</p> <p>SERVICE</p> <p> 0800 20 20277 (kostenlos) 04621 4210 - 0 info@fitshop.de Öffnungszeiten entnehmen Sie unserer Homepage: https://stg.fit/statita</p>	<p>TEKNIK OG SERVICE</p> <p> 80 90 16 50 +49 4621 4210-945 info@fitshop.dk Åbningstider kan findes på hjemmesiden: https://stg.fit/statit7</p>	<p>CUSTOMER SUPPORT</p> <p> 00800 2020 2772 +494621 4210 944 info@fitshop.co.uk You can find the opening hours on our homepage: https://stg.fit/statitc</p>
	FR	BE
	<p>TECHNIQUE & SERVICE</p> <p> +33 (0) 189 530984 +49 4621 42 10 933 info@fitshop.fr Vous trouverez les heures d'ouverture sur notre site Internet: https://stg.fit/statit4</p>	<p>TECHNIQUE & SERVICE</p> <p> 02 732 46 77 +49 4621 4210 933 info@fitshop.be Vous trouverez les heures d'ouverture sur notre site Internet: https://stg.fit/statit8</p>
ES	NL	INT
<p>TECNOLOGÍA Y SERVICIOS</p> <p> 911 238 029 info@fitshop.es Consulta nuestro horario de apertura en la página web: https://stg.fit/statit5</p>	<p>TECHNISCHE DIENST & SERVICE</p> <p> +31 172 619961 service@fitshop.nl De openingstijden vindt u op onze homepage: https://stg.fit/statit3</p>	<p>TECHNICAL SUPPORT & SERVICE</p> <p> +49 4621 4210-944 service-int@fitshop.de You can find the opening hours on our homepage: https://stg.fit/statita</p>
PL	AT	CH
<p>DZIAŁ TECHNICZNY I SERWIS</p> <p> 22 307 43 21 +49 4621 42 10-948 info@fitshop.pl Godziny otwarcia można znaleźć na stronie głównej: https://stg.fit/statit6</p>	<p>TECHNIK & SERVICE</p> <p> 0800 20 20277 (Freecall) +49 4621 42 10-0 info@fitshop.at Öffnungszeiten entnehmen Sie unserer Homepage: https://stg.fit/statitb</p>	<p>TECHNIK & SERVICE</p> <p> 0800 202 027 +49 4621 42 10-0 info@fitshop.ch Öffnungszeiten entnehmen Sie unserer Homepage: https://stg.fit/statit9</p>

Please find a detailed overview including address and opening hours for all stores of the Fitshop Group in Germany and abroad on the following website:

www.fitshop.com/en/stores

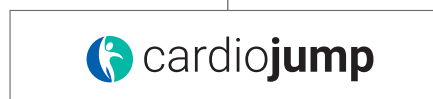
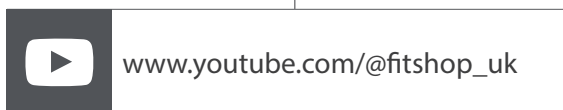
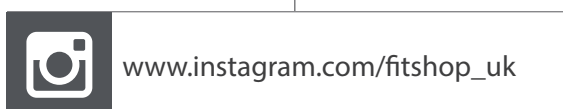
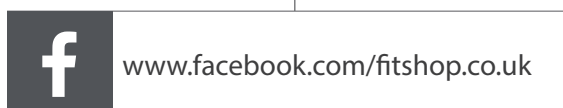
WE LIVE FITNESS

WEBSHOP AND SOCIAL MEDIA

Fitshop is Europe's largest specialist store for home fitness equipment with currently over 70 stores and one of the world's most renowned online mail order companies for fitness equipment. Private customers order via the 25 web shops in the respective national language or have their desired equipment assembled on site. In addition, the company supplies fitness studios, hotels, sports clubs, companies and physio practices with professional equipment for endurance and strength training.

Fitshop offers a wide range of fitness equipment from renowned manufacturers, high-quality in-house developments and comprehensive services, such as a build-up service and sports scientific advice before and after the purchase. The company employs numerous sports scientists, fitness trainers and competitive athletes.

Visit us also on our social media platforms or our blog!



 **DUKEFITNESS**

INDOOR CYCLE **SC40**