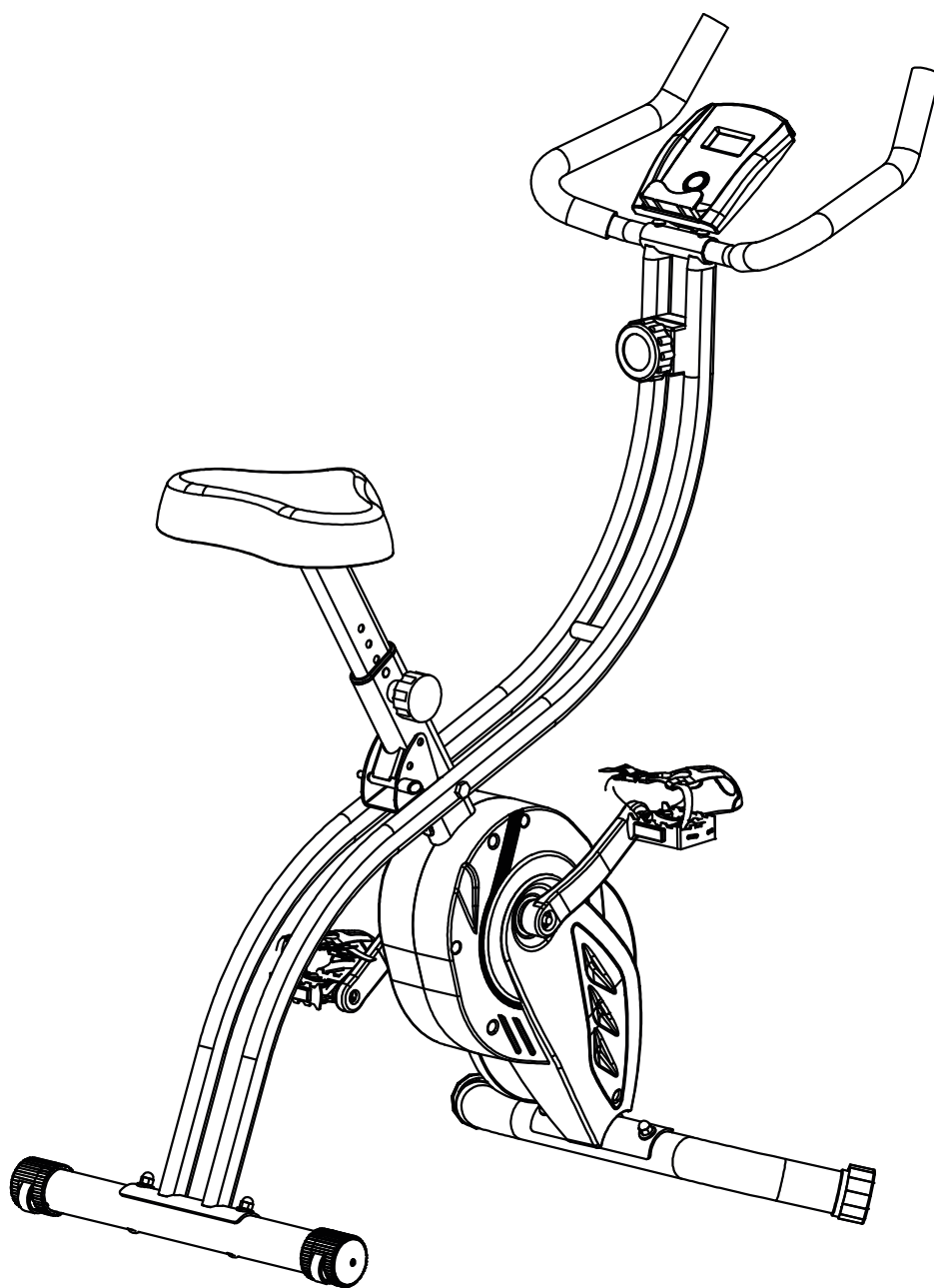


# DUKEFITNESS

## ASSEMBLY AND OPERATING INSTRUCTIONS




max. 120 kg



~ 30 Min. 



 23 kg

L 166 | W 67 | H 133

DUXB40.01.05

Art. No. DU-XB40

HOMETRAINER **XB40**



# Content

<b>1</b>	<b>GENERAL INFORMATION</b>	<b>7</b>
1.1	Technical Data	7
1.2	Personal Safety	8
1.3	Set-Up Place	9
<b>2</b>	<b>ASSEMBLY</b>	<b>10</b>
2.1	General Instructions	10
2.2	Scope of Delivery	11
2.3	Assembly	12
2.4	Adjustments	15
2.4.1	Adjusting the Seat Height	15
2.4.2	Adjusting the Resistance	15
<b>3</b>	<b>OPERATING INSTRUCTIONS</b>	<b>16</b>
3.1	Console Display	16
3.2	Button Function	16
3.3	Battery Compartment	16
<b>4</b>	<b>STORAGE AND TRANSPORT</b>	<b>17</b>
4.1	General Instructions	17
4.2	Transportation Wheels	17
4.3	Folding Mechanism	18
4.3.1	Folding Up the Exercise Bike	18
4.3.2	Unfolding the Exercise Bike	18
<b>5</b>	<b>TROUBLESHOOTING, CARE AND MAINTENANCE</b>	<b>19</b>
5.1	General Instructions	19
5.2	Faults and Fault Diagnosis	19
5.3	Maintenance and Inspection Calendar	20
<b>6</b>	<b>DISPOSAL</b>	<b>20</b>
<b>7</b>	<b>RECOMMENDED ACCESSORIES</b>	<b>21</b>

<b>8</b>	<b>ORDERING SPARE PARTS</b>	<b>22</b>
8.1	Serial Number and Model Name	22
8.2	Parts List	23
8.3	Exploded Drawing	24
<b>9</b>	<b>WARRANTY</b>	<b>26</b>
<b>10</b>	<b>CONTACT</b>	<b>28</b>

## Dear customer,

Thank you for choosing a Duke Fitness brand fitness equipment. Duke Fitness offers you fitness equipment that makes it easy to start exercising regularly, stay fit and lose weight. We want to help you to achieve your fitness goals quickly and sustainably and hope that your new fitness equipment will help you to do so. Do not hesitate to contact us if you have any further questions about your training or fitness equipment, or if you would like to add more equipment to your existing fitness equipment. We wish you much of success!

Your Fitness Team from Sport-Tiedje and Duke Fitness

Further information can be found at [www.sport-tiedje.com](http://www.sport-tiedje.com)

### Intended Use

The equipment may only be used for its intended purpose.

The equipment is only suitable for home use. The equipment is not suitable for semi-professional (e.g. hospitals, associations, hotels, schools, etc.) and commercial or professional use (e.g. fitness studios).

## Legal Notice

Sport-Tiedje GmbH  
Europe's No. 1 for home fitness

International Headquarters  
Flensburger Straße 55  
24837 Schleswig  
Germany

Management:  
Christian Grau  
Sebastian Campmann  
Dr. Bernhard Schenkel  
No. HRB 1000 SL  
Local Court Flensburg  
European VAT Number: DE813211547

## Disclaimer



©2019 Duke® is a registered brand of the company SportTiedje GmbH. All rights reserved. Any use of this trademark without the explicit written permission of Sport-Tiedje is prohibited.

Product and manual are subject to change. Technical data can be changed without advance notice.

## ABOUT THIS MANUAL

Please carefully read the entire manual before installation and first use. The manual will help you to quickly set up the system and explains how to safely use it. Make sure that all persons exercising with the equipment (especially children and persons with physical, sensory, mental or motor disabilities) are informed about this manual and its contents in advance. In case of doubt, responsible persons must supervise the use of the equipment.



Due to ongoing changes and software optimisations, the manual may have to be updated. If you notice any discrepancies during assembly or use, please refer to the manual uploaded to the webshop. The latest manual is always available there.

This equipment has been manufactured according to the latest safety knowledge. As far as possible, potential safety hazards which could cause injury have been eliminated. Make sure to carefully follow the instructions and that all parts are securely in place. If required, read through the instructions again to correct any mistakes.

Please pay close attention to the safety and maintenance instructions given here. The contract partner cannot be held liable for damage to health, accidents or damage to the equipment when it is not used in accordance with these instructions.

The following safety instructions may appear in this manual:

► **ATTENTION**

This notice indicates potentially hazardous situations which, if not avoided, may result in property damage.

⚠ **CAUTION**

This notice indicates potentially hazardous situations which, if not avoided, may result in slight or minor injuries!

⚠ **WARNING**

This notice indicates potentially hazardous situations which, if not avoided, may result in death or serious injuries!

⚠ **DANGER**

This notice indicates potentially hazardous situations which, if not avoided, will result in death or serious injuries!

ⓘ **NOTICE**

This notice indicates further useful information.

Retain these instructions in a safe place for future reference, maintenance or when ordering replacement parts.

## 1.1 Technical Data

### Display of:

- + Training time
- + Speed
- + Distance
- + Calories

Brake system: manual magnetic brake  
Resistance levels: 8

### Dimensions and Weight

Package dimensions (L x W x H) approx.: 132 cm x 53 cm x 23 cm  
Set-up dimensions (L x W x H) approx.: 165.7 cm x 67.1 cm x 133.3 cm  
Folding dimensions (L x W x H) approx.: 161.3 cm x 67.1 cm x 154.1 cm  
Article weight (gross, incl. packaging) approx.: 26.3 kg  
Article weight (net, excl. packaging) approx.: 22.5 kg

Maximum user weight: 120 kg

## 1.2 Personal Safety

### **DANGER**

- + Before you start using the equipment, you should consult your physician that this type of exercise is suitable for you from a health perspective. Particularly affected are persons who: have a hereditary disposition to high blood pressure or heart disease, are over the age of 45, smoke, have high cholesterol values, are overweight and/or have not exercised regularly in the past year. If you are under medical treatment that affects your heart rate, medical advice is absolutely essential.
- + Note that excessive training can seriously endanger your health. Please also note that heart rate monitoring systems can be inaccurate. If you notice any signs of weakness, nausea, dizziness, pain, shortness of breath, or other abnormal symptoms, stop exercising immediately and seek advice from your doctor if necessary.

### **WARNING**

- + This equipment may not be used by children under the age of 14.
- + Children should not be allowed unsupervised access to the equipment.
- + Persons with disabilities must have a medical license and must be under strict observation when using the equipment.
- + The equipment is strictly for use by one person at a time.
- + If your equipment provides a safety key, the clip of the safety key must be attached to your clothing before starting your training. In the event of a fall, the EMERGENCY STOP of the equipment can be initiated.
- + Keep your hands, feet and other body parts, hair, clothing, jewellery and other objects well clear of moving parts.
- + During use, wear suitable sports clothing rather than loose or baggy clothing. When wearing sports shoes, make sure they have suitable soles, preferably made of rubber or other non-slip materials. Shoes with heels, leather soles, studs or spikes are unsuitable. Never exercise barefoot.

### **CAUTION**

- + If your equipment needs to be connected to the power supply with a mains cable, make sure that the cable is not a potential tripping hazard.
- + Make sure that nobody is within the range of motion of the equipment during training so as not to endanger you or other persons.

### **ATTENTION**

- + Do not insert any objects of any kind into the openings of the device.



## 1.3 Set-Up Place

### **WARNING**

- + Do not place the equipment in main corridors or escape routes.

### **CAUTION**

- + Choose a location in which to place the equipment such that there is enough free space/clearance to the front, the rear and to the sides of the equipment.
- + The training room should be well ventilated during training and not be exposed to any draughts.
- + Choose the place in which to set up the equipment such that there is enough free space/clearance to the front, the rear and to the sides of the equipment.
- + The set-up and mounting surface of the equipment should be flat, loadable and solid.

### **ATTENTION**

- + The device may only be used in one building, in sufficiently tempered and dry rooms (ambient temperatures between 10°C and 35°C). The equipment should not be used outdoors or in rooms with high humidity (over 70%) like swimming pools.
- + A floor protective mat/equipment underlay can help to protect high-quality floor coverings (parquet, laminate, cork, carpets) from dents and sweat and can help to level out slight unevenness.

## 2.1 General Instructions



### DANGER

- + Do not leave any tools, packaging materials such as foils or small parts lying around, as otherwise there is a danger of suffocation for children. Keep children away from the equipment during assembly.



### WARNING

- + Pay attention to the instructions attached to the equipment in order to reduce the risk of injuries.



### CAUTION

- + Ensure to have sufficient room for movement in each direction during assembly.
- + The assembly of the equipment must be carried out by at least two adults. If in doubt, seek the help of a third technically skilled person.



### ATTENTION

- + To prevent damage to the equipment and the floor, assemble the equipment on a mat or packaging board.



### NOTICE

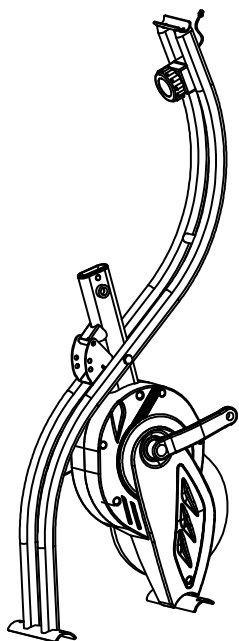
- + In order to make the assembly as simple as possible, some screws and nuts to be used can already be pre-assembled.
- + Ideally, assemble the equipment at its later set-up place.

## 2.2 Scope of Delivery

The scope of delivery consist of the following parts. At the beginning, check whether all parts and tools belonging to the device are included in the scope of delivery and whether damage has occurred. In the event of complaints, the contractual partner must be contacted directly.

### CAUTION

If parts of the scope of delivery are missing or damaged, the assembly must not be carried out.



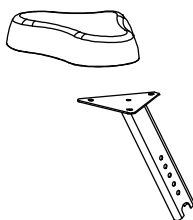
Main Frame and Rear Frame (1 & 2)



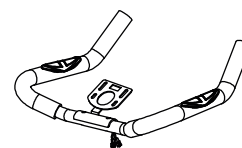
Computer (23)



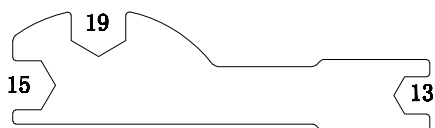
Pedals (10L & 10R)



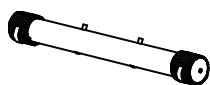
Seat Post and Seat (3 & 19)



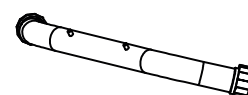
Handlebar (4)



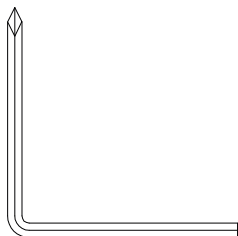
13–19 mm Wrench  
x2



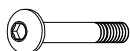
Rear Stabilizer (6)



Front Stabilizer (5)



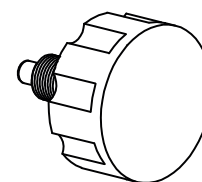
5 mm Inbusschlüssel  
mit Phillips-Schraubendreher



Bolt (22)  
x2  
(preassembled)



Curve Washer (7)  
x2  
(preassembled)



Adjustment Knob (11)

## 2.3 Assembly

Before assembly, take a close look at the individual assembly steps shown and carry out the assembly in the order given.

### ① NOTICE

First loosely screw all parts together and check that they fit properly. Tighten the screws using the tool only when you are instructed to do so.

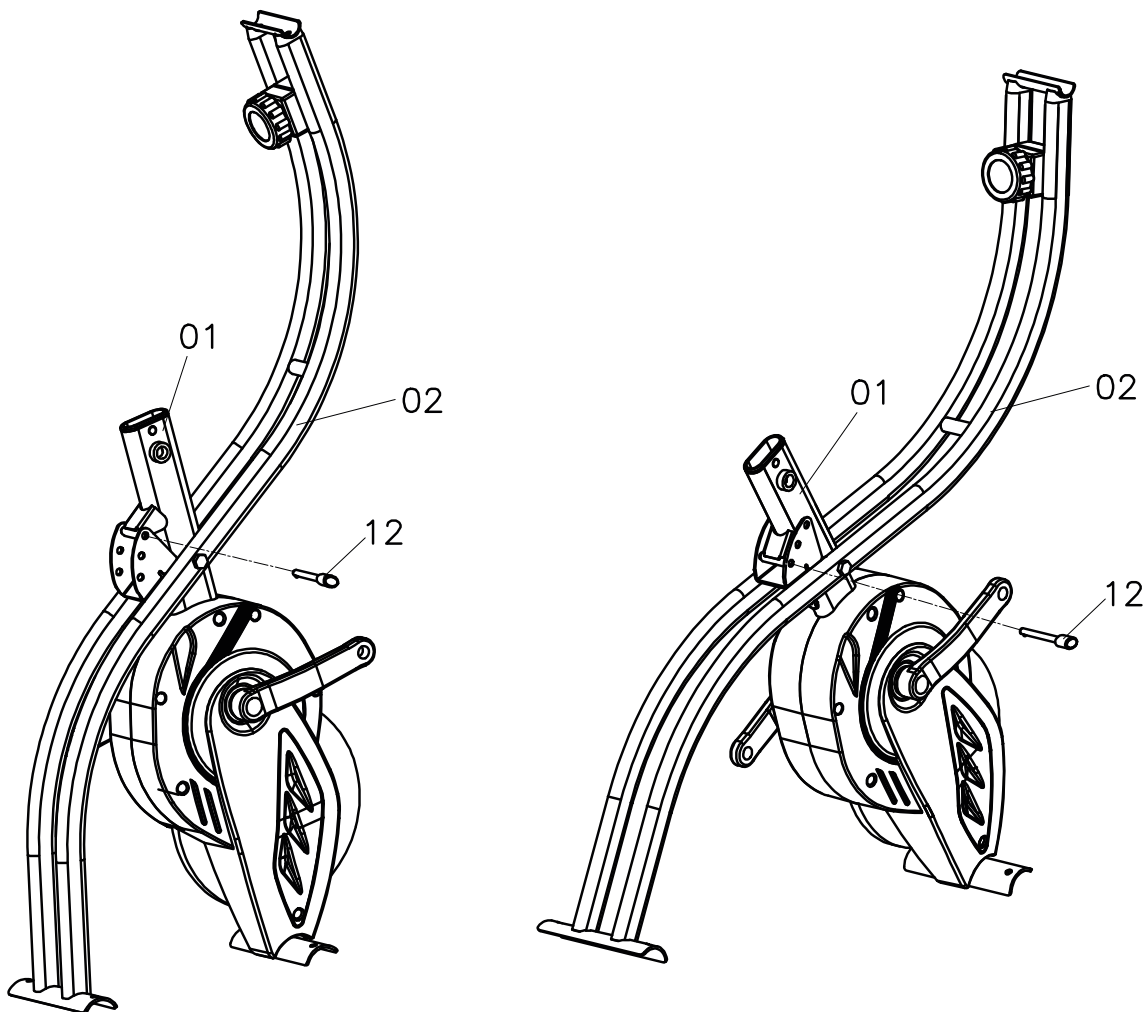
### Step 1: Unfold

1. Remove the lock pin (12) from the rear frame (2).
2. Place the unit by pulling the rear (2) and main (1) frames apart.
3. Adjust the upper pin holes on both frame parts so that they are in line. Snap the frame parts together by sliding the lock pin (12) through both holes.

### ① NOTICE

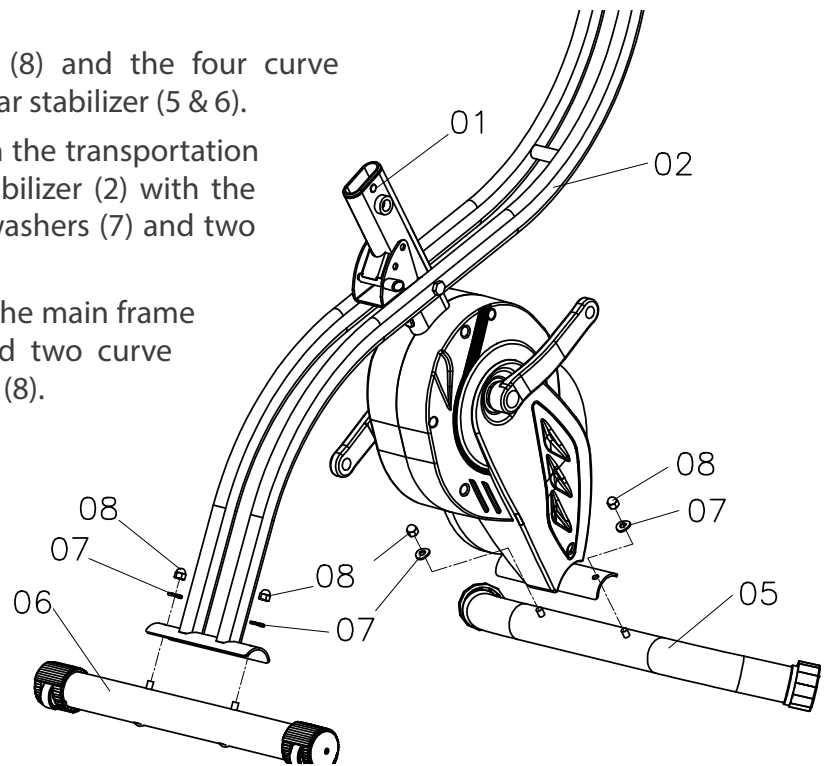
There are two angle settings on the main frame for training:

- + Middle Position: Compact training position more likely to an upright bike
- + Lower Position: Relaxed training position



## Step 2: Mounting the front and rear stabilizer

1. Remove the four domed nuts (8) and the four curve washers (7) from the front and rear stabilizer (5 & 6).
2. Mount the rear stabilizer (6) with the transportation wheels outwards to the rear stabilizer (2) with the previously removed two curve washers (7) and two domed nuts (8).
3. Mount the front stabilizer (5) to the main frame (1) with the previously removed two curve washers (7) and two domed nuts (8).
4. Tighten the nuts with the tool.



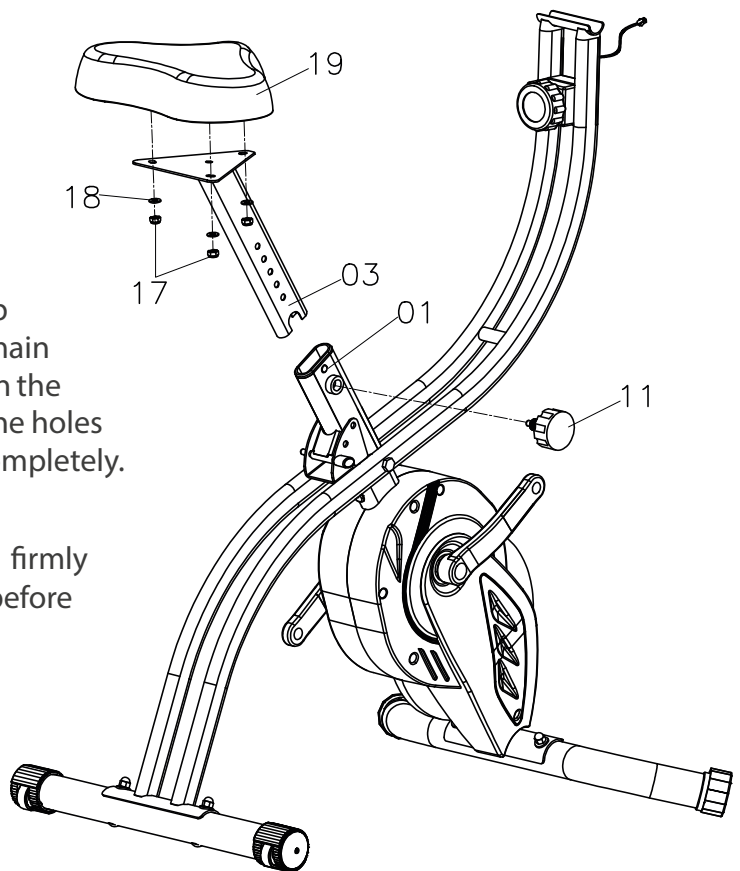
## Step 3: Mounting the seat

1. Remove the three nylon nuts (17) and the three flat washers (18) from the seat (19).
2. Mount the seat (19) to the seat post (3) with the previously removed three flat washers (18) and three nylon nuts (17). Tighten the nuts with the tool.
3. Shove the seat post (3) into the main frame (1) and turn the adjustment knob (11) into the hole on the side of the main frame (1). Make sure that the safety pin on the adjustment knob (11) can reach one of the holes on the seat post (3) before tightening completely.



### CAUTION

Make sure that the seat post (3) is firmly secured by the adjustment knob (11) before using the device.

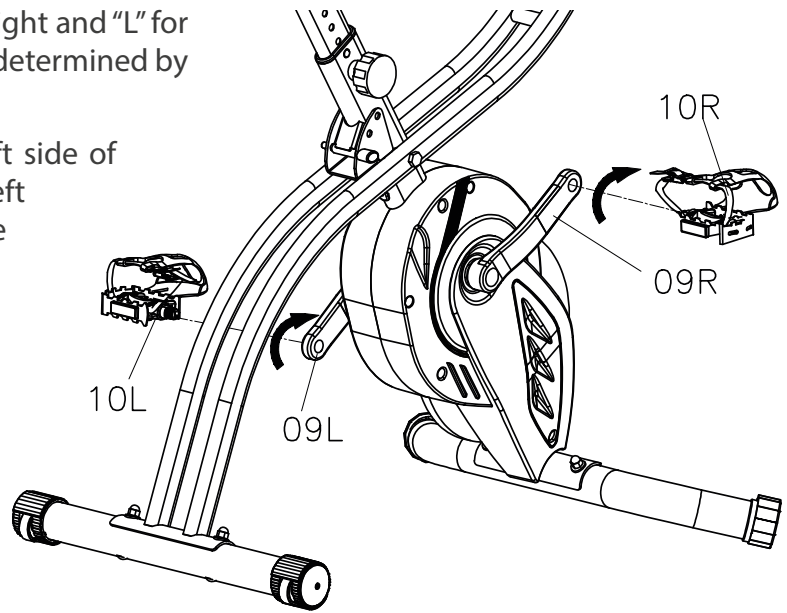


## Step 4: Mounting the pedals

### NOTICE

The pedals are marked with "R" for right and "L" for left. The sides of the equipment are determined by the seat direction.

1. Left pedal: Stand in front of the left side of the equipment and screw the left pedal (10L) counterclockwise to the left crank (9L).
2. Right pedal: Stand in front of the right side of the equipment and screw the right pedal (10R) clockwise to the right crank (9R).
3. Once the threads are fully connected, tighten the pedals with the tool.

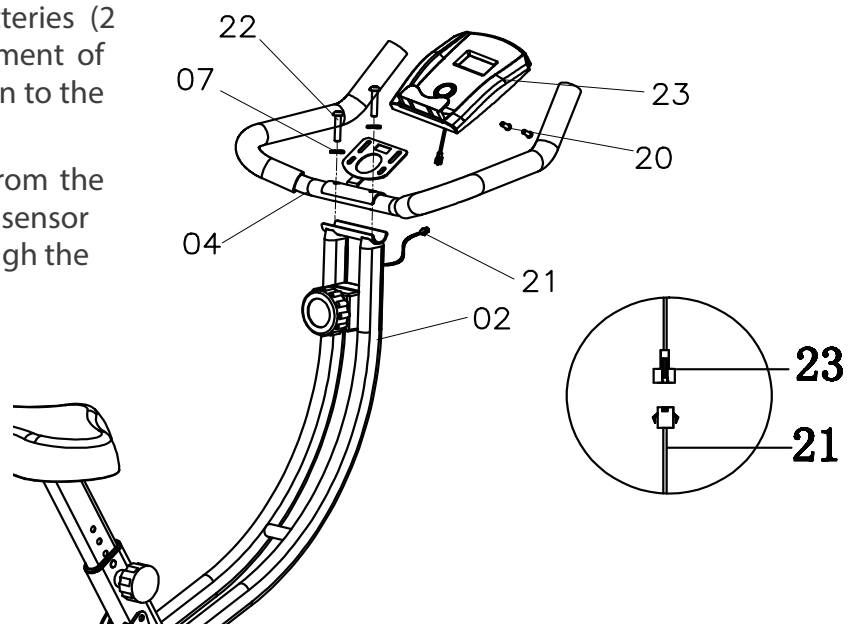


### CAUTION

Only use the equipment when the pedals are firmly tightened.

## Step 5: Mounting the handlebar and the computer

1. Remove the two curved washers (7) and two bolts (22) from the handlebar (4).
2. Mount the handlebar (4) to the rear frame (2) with two curve washer (7) and two bolts (22).
3. Insert the provided 1.5 V batteries (2 pcs.) into the battery compartment of the computer (23). Pay attention to the correct polarity.
4. Remove the two screws (20) from the computer (23) and insert the sensor wire of the computer (23) through the opening on the support.
5. Connect the sensor wires and mount the computer (23) to the support with the previously removed two screws (20).
6. Tighten all screws.



## 2.4 Adjustments

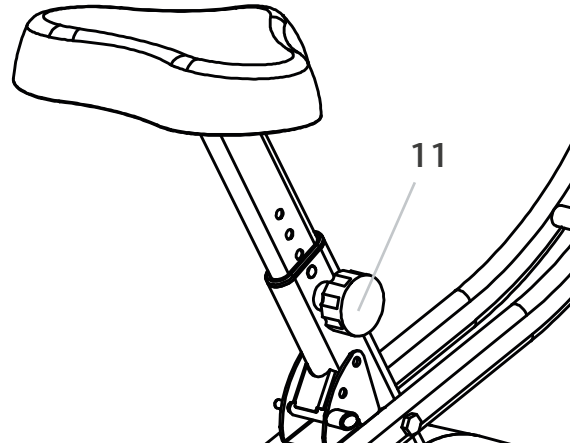
### 2.4.1 Adjusting the Seat Height

1. Turn the adjustment knob (11) counter-clockwise and pull it out slightly until the seat post (3) can be moved up and down.
2. Slide the seat post (3) into a suitable position.
3. To refasten the seat post (3) in the selected position, turn the adjustment knob (11) clockwise.



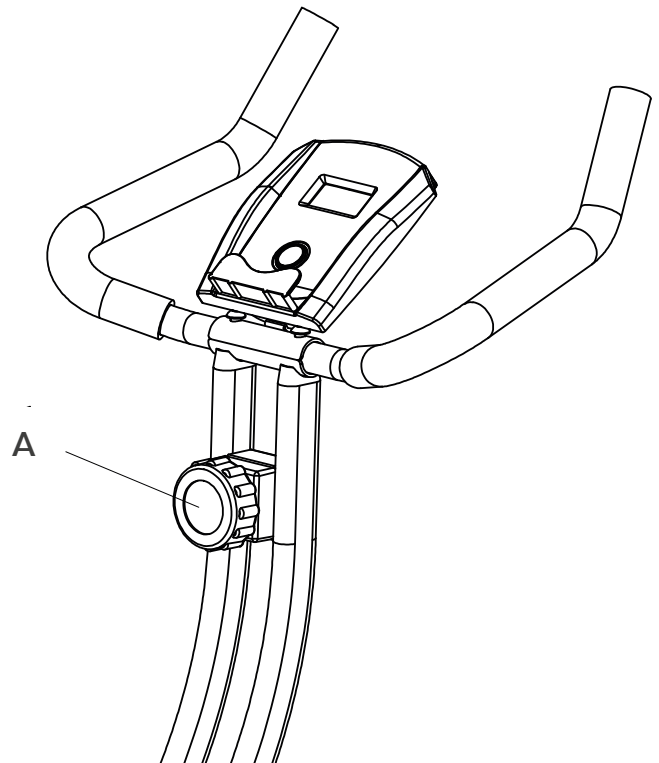
#### **CAUTION**

Make sure that the seat post (3) is firmly secured by the adjustment knob (11) before using the device.



### 2.4.2 Adjusting the Resistance

1. To increase the resistance, turn the knob (A) clockwise
2. To reduce the resistance, turn the knob (A) counterclockwise.



## 3 OPERATING INSTRUCTIONS

### ① NOTICE

Familiarise yourself with all the functions and setting options of the device before starting training. Have the proper use of this product explained to you by a specialist.

### 3.1 Console Display

Display	Description
TIME	+ Display of the current training time + Display of the total training time
SPEED	+ Display of the current speed
DIST	+ Display of the current distance
ODO	+ Display of the total distance
CALORIE	+ Display of burned calories

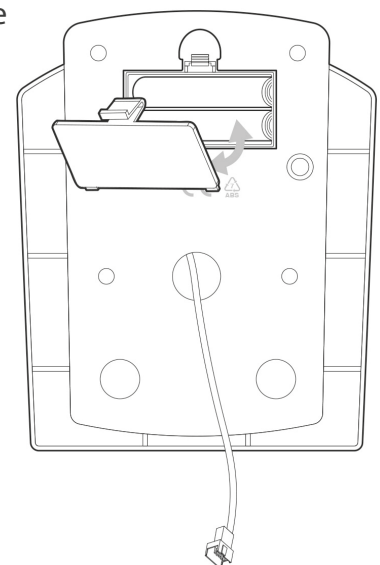
### 3.2 Button Function

Button	Description
MODE	Press to switch between the displayed values

### 3.3 Battery Compartment

The console is powered by two AAA 1.5V batteries. In case the console is not working properly, the batteries might be running low. Follow the instructions to exchange the batteries.

1. Open the battery compartment cover and remove the batteries.
2. Insert two new AAA 1.5V batteries and close the cover again.





## 4.1 General Instructions

### ⚠ WARNING

- + The storage location should be chosen so that improper use by third parties or children can be prevented.
- + If your equipment does not have transportation wheels, the equipment must be disassembled before transportation.

### ▶ ATTENTION

- + Make sure that the equipment is protected from moisture, dust and dirt in the selected storage location. The storage location should be dry and well ventilated and have a constant ambient temperature between 10°C and 35°C.

### ⓘ NOTICE

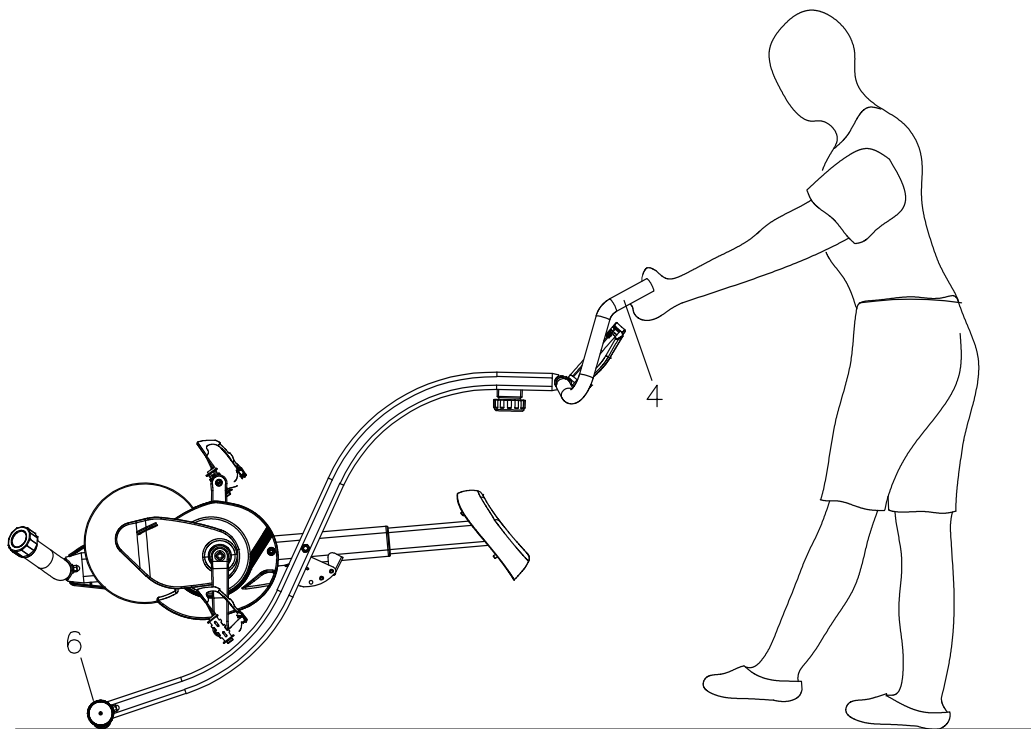
- + The upper angle adjustment on the main frame is recommended for the storage.

## 4.2 Transportation Wheels

### ▶ ATTENTION

If you want to transport your equipment over particularly sensitive and soft floor coverings, such as parquet, planks or laminate, lay out the transport route with cardboard or similar to avoid possible floor damage.

1. Stand behind the equipment and lift it until the weight is transferred to the transportation wheels. After that, you easily can move the equipment to a new position. For long transport distances the equipment should be disassembled and safely packed.
2. Select the new location by following the instructions in the section 1.3 of this manual.



## 4.3 Folding Mechanism

### NOTICE

- + The equipment is foldable and thus saves space when it is stored. It also makes it easier to transport.
- + The upper angle adjustment (position 1) on the main frame is recommended for the storage.

### ATTENTION

Before folding and unfolding, remove all objects that could be spilled or thrown over or which might prevent the unit from folding and unfolding.

### 4.3.1 Folding Up the Exercise Bike

#### WARNING

Try not to operate the equipment when it is folded up.

#### CAUTION

Do not lean on the equipment when it is folded and do not place anything on top of it that may make the equipment unstable or fall down.

1. Remove the lock pin (12).
2. Fold the main and rear frame (1&2) together until the upper adjustment holes are aligned.
3. Insert the lock pin (12) into the highest adjustment hole to lock the two frames (1&2).

### 4.3.2 Unfolding the Exercise Bike

1. Remove the lock pin (12).
2. Fold the main and rear frame (1&2) apart.
3. Insert the lock pin (12) into the lowest adjustment hole to lock the two frames (1&2).

### NOTICE

There are two angle settings on the main frame for training:

- + Middle Position: Compact training position more likely to an upright bike
- + Lower Position: Relaxed training position

## 5.1 General Instructions



### WARNING

- + Do not make any improper changes to the equipment.



### CAUTION

- + Damaged or worn components may affect your safety and the life of the equipment. Therefore, immediately replace damaged or worn components. In such a case, contact the contract partner. The equipment must not be used until it has been repaired. If necessary, use only original spare parts.



### ATTENTION

- + In addition to the instructions and recommendations for maintenance and care given here, additional service and/or repair work may be necessary; this must only be carried out by authorised service technicians.

## 5.2 Faults and Fault Diagnosis

The equipment undergoes regular quality controls during production. Nevertheless, faults or malfunctions may occur. Frequently, individual parts are responsible for these disturbances, an exchange is usually sufficient. Please refer to the following overview for the most common errors and how to correct them. If the equipment still does not function properly, contact your contract partner.

Fault	Cause	Solution
Cracking in the pedal area	Pedals loose	Tighten the pedals
Equipment wobbles	Equipment is not level	Align the feet
Handlebar/saddle wobbles	Loose screws	Tighten screws firmly
Display is blank/is not working	Batteries empty or loose cable connection	Replace batteries or check cable connections

## 5.3 Maintenance and Inspection Calendar

To avoid damage from body sweat, the equipment must be cleaned with a damp towel (no solvents!) after each training session.

The following routine tasks must be performed at the specified intervals:

Part	Weekly	Monthly
Display console	C	I
Plastic covers	C	I
Screws and cable connections		I
Check pedals for tightness		I
Legend: C = clean; I = inspect		

## 6 DISPOSAL

At the end of its operational life, this equipment cannot be disposed of in normal household waste. Instead, it must be disposed of via an electricals recycling centre. Further information can be obtained from your local authority's recycling service.



The materials can be recycled as per their symbols. Through the reuse, recycling of materials or other forms of recovery of old equipment, you make an important contribution to the protection of the environment.

To make your training experience even more efficient and pleasant, we recommend that you add suiting accessories to your fitness equipment. This could be a floor mat, for example, which makes your fitness equipment stand more securely and also protects the floor from falling sweat, but it could also be additional handrails on some treadmills or silicone spray to keep moving parts in good shape.

If you have purchased a fitness machine with pulse training and want to train your heart rate, we strongly recommend that you use a compatible chest strap, as this ensures optimum transmission of the heart rate. You may want to buy additional grips or weights for multi gyms.

Our range of accessories offers the highest quality and makes training even better. If you would like to find out more about compatible accessories, please go to the detail page of the product in our webshop (the easiest way is to enter the article number in the search field above) and go to the recommended accessories on this page. You can also use the QR-code provided. Of course, you can also contact our customer service: by telephone, e-mail, in one of our branches or via our social media channels. We will be happy to advise you!



floor mat



chest strap



chest strap contact gel



towels



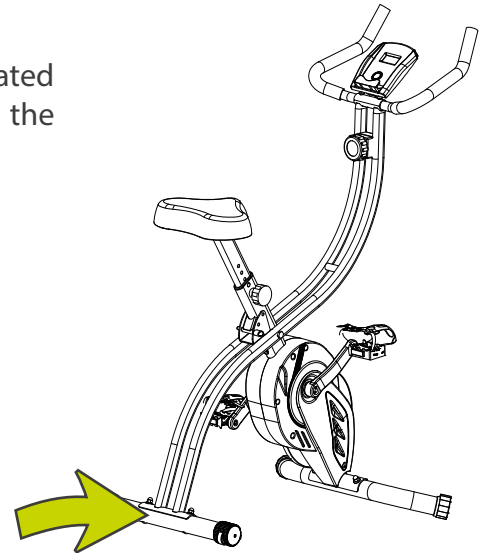
silicone spray

## 8.1 Serial Number and Model Name

In order to provide you with the best possible service, please have the model name, article number, serial number, exploded drawing and parts list ready. The corresponding contact options can be found in chapter 10 of this operating manual.

**NOTICE**

The serial number of your equipment is unique. It's located on a sticker. The exact position of this sticker is shown in the following illustration.



Enter the serial number in the appropriate field.

**Serial number:**

**Brand / Category:**

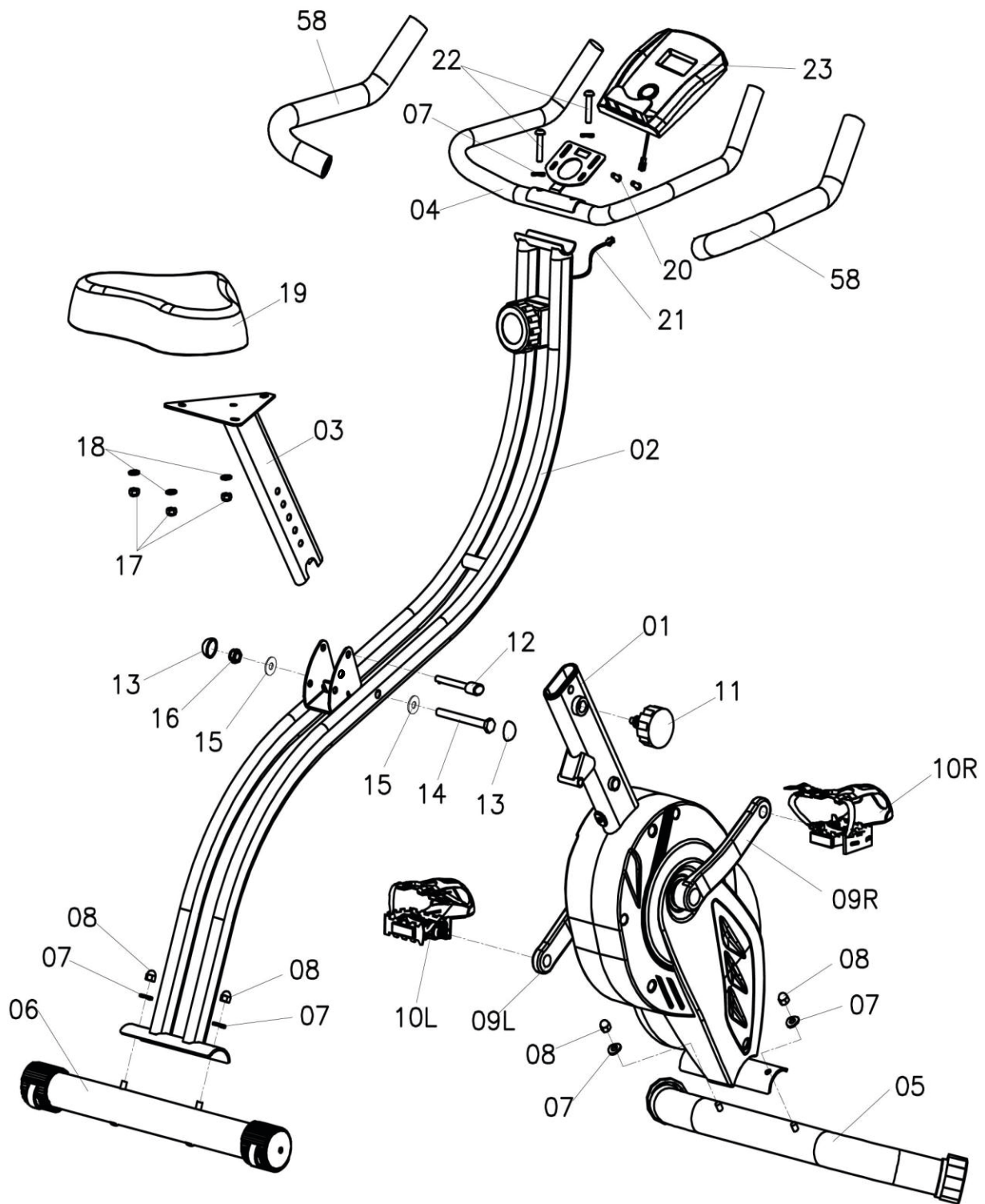
**Model Name:**

**Article Number:**

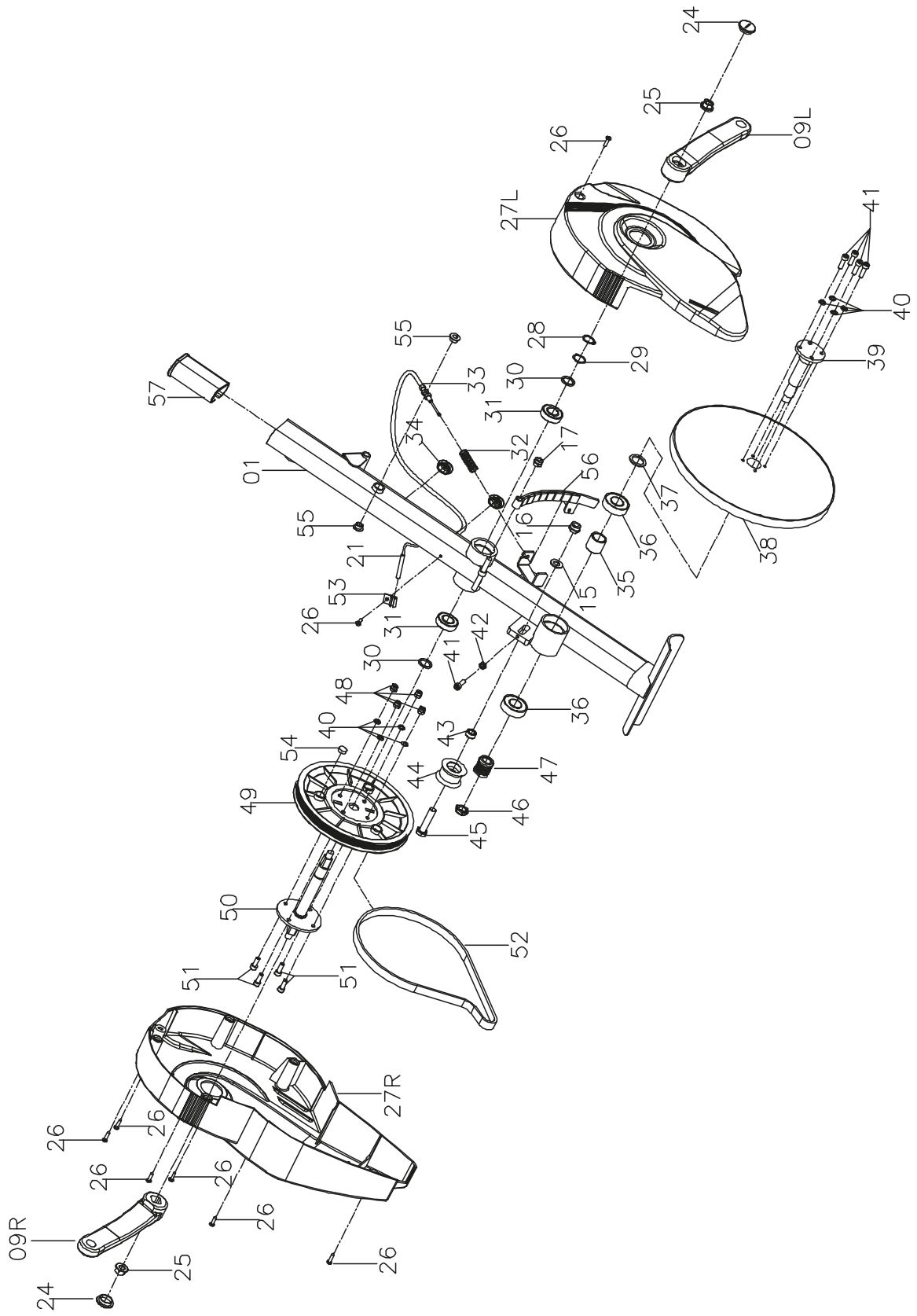
## 8.2 Parts List

No.	Name	Qty.	No.	Name	Qty.
1	Main Frame	1	30	Plastic washer (φ17)	2
2	Rear Frame	1	31	Bearing	2
3	Seat Post	1	32	Spring	1
4	Handlebar	1	33	Tension cable	1
5	Front stabilizer	1	34	Wire plug	5
6	Rear stabilizer	1	35	Bushing	1
7	Curve washer (φ8)	6	36	Bearing	2
8	Domed nut (M8)	4	37	Flat washer (φ20.2)	1
9	Crank (L&R)	1set	38	Fly wheel	1
10	Pedal (L&R)	1set	39	Fly wheel axle	1
11	Adjustment knob	1	40	Spring washer (D6)	8
12	Lock pin	1	41	Bolt (M6*20)	5
13	Nut cover	2	42	Nut (M6)	1
14	Bolt (M10*105)	1	43	Bushing	1
15	Flat washer (φ10)	3	44	Plastic wheel	1
16	Nylon nut (M10)	2	45	Bolt (M10*45)	1
17	Nylon nut (M8)	4	46	Nylon nut	1
18	Flat washer (φ8)	3	47	Little belt wheel	1
19	Seat	1	48	Nylon nut (M6)	4
20	Screw (M5*10)	1	49	Belt wheel	1
21	Sensor wire	1	50	Belt wheel axle	1
22	Bolt	2	51	Bolt (M6*15)	4
23	Computer	1	52	Belt	1
24	Crank cover	2	53	Sensor holder	1
25	Nut (M10)	2	54	Magnet	1
26	Screw (ST4.2*20)	8	55	Bushing	2
27	Chain cover (L&R)	1set	56	Magnetic Brake	1
28	C type washer	1	57	Seat bushing	1
29	Wave washer (φ22)	1	58	Handrail Foam Grip	2

## 8.3 Exploded Drawing







Training equipment from Taurus® is subject to strict quality control. However, if a fitness equipment purchased from us does not work perfectly, we take it very seriously and ask you to contact our customer service as indicated. We are happy to help you by phone via our service hotline.

### **Error Descriptions**

Your fitness equipment is developed for long-term, high-quality training. However, should a problem arise, please first read the operating instructions. For further assistance, please contact your contract partner or call our service hotline. To ensure your problem is solved as quickly as possible, please describe the defect as exactly as possible.

In addition to the statutory warranty, we provide a warranty for every fitness equipment purchased from us according to the following provisions.

### **Your statutory rights are not affected.**

### **Warranty**

The warranty is the first/original buyer and/or any person who received a newly purchased product as a gift from the original buyer.

#### **Warranty period**

The warranty periods, shown on our web shop, begin on delivery of the fitness equipment. The respective warranty periods for your equipment can be found on its product website.

### **Repair Costs**

According to our choice, there will either be a repair, a replacement of individual damaged parts or a complete replacement. Spare parts, that have to be mounted while assembling the equipment, have to be replaced by the warranty personally and are not a part of repair. After the expiration of the warranty period for repair costs, a pure parts warranty applies, which does not include the repair, installation and delivery costs.

### **The terms of use are defined as follows:**

- + Home use: solely for private use in private households up to 3 hours per day
- + Semi-professional use: up to 6 hours per day (e. g. rehabilitation centres, hotels, clubs, company gyms)
- + Professional use: more than 6 hours per day (e. g. commercial gyms)

### **Warranty Service**

Within the warranty period, equipment which develops faults as a result of material or manufacturing defects, will be repaired or replaced at our discretion. Ownership of equipment or parts of equipment which have been replaced is transferred to us. The warranty period is not extended nor does a new warranty period begin following repair or replacement under the warranty.

## **Warranty Conditions**

For the warranty to be valid, the following steps must be taken:

Please contact our customer service by email or phone. If the product under warranty has to be sent in for repair, the seller bears costs. After expiry of the warranty, the buyer bears the costs of transport and insurance. If the fault is covered by our warranty, you will receive a new or repaired equipment in return.

### **Warranty claims are invalid in case of damage resulting from:**

- + misuse or improper handling
- + environmental influences (moisture, heat, electrical surge, dust, etc.)
- + failure to follow the current safety measures for the equipment
- + failure to follow the operating instructions
- + use of force (e. g. hitting, kicking, falling)
- + interventions which were not carried out by one of our authorized service centres
- + unauthorised repair attempts

### **Proof of Purchase and Serial Number**

Please make sure that you are able to provide the appropriate receipt when claiming on your warranty. So that we can clearly identify the model of your equipment, and for the purposes of our quality control, you will need to give the serial number of your equipment, when contacting the service team. Where possible please have your serial number and your customer number ready when you call our service hotline. It will help us to deal with your request swiftly.

If you cannot find the serial number on your fitness equipment, our service team is at your disposal to offer further information.

### **Service outside of the Warranty Period**

We are also happy to issue an individual cost estimate if there is a problem with your fitness equipment after the warranty has expired, or in cases which do not fall under the terms of the warranty, e. g. normal wear and tear. Please contact our customer service team to find a quick and cost-effective solution to your problem. In such a case you will be responsible for the delivery costs.

### **Communication**

Many problems can be solved just by speaking to us as your specialist supplier. We know how important it is to you as a user of the fitness equipment to have problems solved quickly and simply, so you can enjoy working out with minimal interruption. For that reason, we also want to resolve your queries quickly and in a straightforward manner. Thus, please always keep your customer number and the serial number of the faulty equipment handy.

DE	DK	FR
<p><b>TECHNICAL SUPPORT</b></p> <p>☎ +49 4621 4210-900                      📠 +49 4621 4210-698                      ✉ technik@sport-tiedje.de</p> <p>🕒 Mo - Fr 08:00 - 18:00                      Sa 09:00 - 18:00</p> <p><b>SERVICE</b></p> <p>☎ 0800 20 20277                      (Freecall)</p> <p>✉ info@sport-tiedje.de</p> <p>🕒 Mo - Fr 08:00 - 21:00                      Sa 09:00 - 21:00                      So 10:00 - 18:00</p>	<p><b>TECHNICAL SUPPORT &amp; SERVICE</b></p> <p>☎ 80 90 16 50                      +49 4621 4210-945                      ✉ info@fitshop.dk</p> <p>🕒 Mo - Fr 08:00 - 18:00                      Sa 09:00 - 18:00</p>	<p><b>TECHNICAL SUPPORT &amp; SERVICE</b></p> <p>☎ +33 (0) 172 770033                      +49 4621 4210-933                      ✉ service-france@fitshop.fr</p> <p>🕒 Mo - Fr 08:00 - 18:00                      Sa 09:00 - 18:00</p>
	PL	BE
	<p><b>TECHNICAL SUPPORT &amp; SERVICE</b></p> <p>☎ 22 307 43 21                      +49 4621 42 10-948                      ✉ info@fitshop.pl</p> <p>🕒 Mo - Fr 08:00 - 18:00                      Sa 09:00 - 18:00</p>	<p><b>TECHNICAL SUPPORT &amp; SERVICE</b></p> <p>☎ 02 732 46 77                      +49 4621 42 10-932                      ✉ info@fitshop.be</p> <p>🕒 Mo - Fr 08:00 - 18:00                      Sa 09:00 - 18:00</p>

UK	NL	INT
<p><b>TECHNICAL SUPPORT</b></p> <p>☎ +44 141 876 3986                      ✉ support@powerhousefitness.co.uk</p> <p><b>SERVICE</b></p> <p>☎ +44 141 876 3972                      🕒 Mo - Fr 9am - 5pm</p>	<p><b>TECHNICAL SUPPORT &amp; SERVICE</b></p> <p>☎ +31 172 619961                      ✉ info@fitshop.nl</p> <p>🕒 Ma - Do 09:00 - 17:00                      Vr 09:00 - 21:00                      Za 10:00 - 17:00</p>	<p><b>TECHNICAL SUPPORT &amp; SERVICE</b></p> <p>☎ +49 4621 4210-944                      ✉ service-int@sport-tiedje.de</p> <p>🕒 Mo - Fr 8am - 6pm                      Sat 9am - 6pm</p>
	AT	CH
	<p><b>TECHNICAL SUPPORT &amp; SERVICE</b></p> <p>☎ 0800 20 20277                      (Freecall)                      +49 4621 42 10-0                      ✉ info@sport-tiedje.at</p> <p>🕒 Mo - Fr 08:00 - 18:00                      Sa 09:00 - 18:00</p>	<p><b>TECHNICAL SUPPORT &amp; SERVICE</b></p> <p>☎ 0800 202 027                      +49 4621 42 10-0                      ✉ info@sport-tiedje.ch</p> <p>🕒 Mo - Fr 08:00 - 18:00                      Sa 09:00 - 18:00</p>

Please find a detailed overview including address and opening hours for all stores of the Sport-Tiedje Group in Germany and abroad on the following website:

[www.sport-tiedje.com/en/stores](http://www.sport-tiedje.com/en/stores)

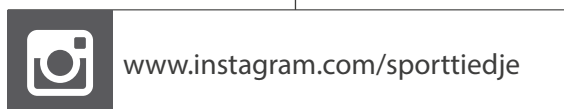
# WE LIVE FITNESS

## WEBSHOP AND SOCIAL MEDIA

Sport-Tiedje is Europe's largest specialist store for home fitness equipment with currently over 70 stores and one of the world's most renowned online mail order companies for fitness equipment. Private customers order via the 25 web shops in the respective national language or have their desired equipment assembled on site. In addition, the company supplies fitness studios, hotels, sports clubs, companies and physio practices with professional equipment for endurance and strength training.

Sport-Tiedje offers a wide range of fitness equipment from renowned manufacturers, high-quality in-house developments and comprehensive services, such as a build-up service and sports scientific advice before and after the purchase. The company employs numerous sports scientists, fitness trainers and competitive athletes.

Visit us also on our social media platforms or our blog!



**TAURUS**

 cardiostrong 

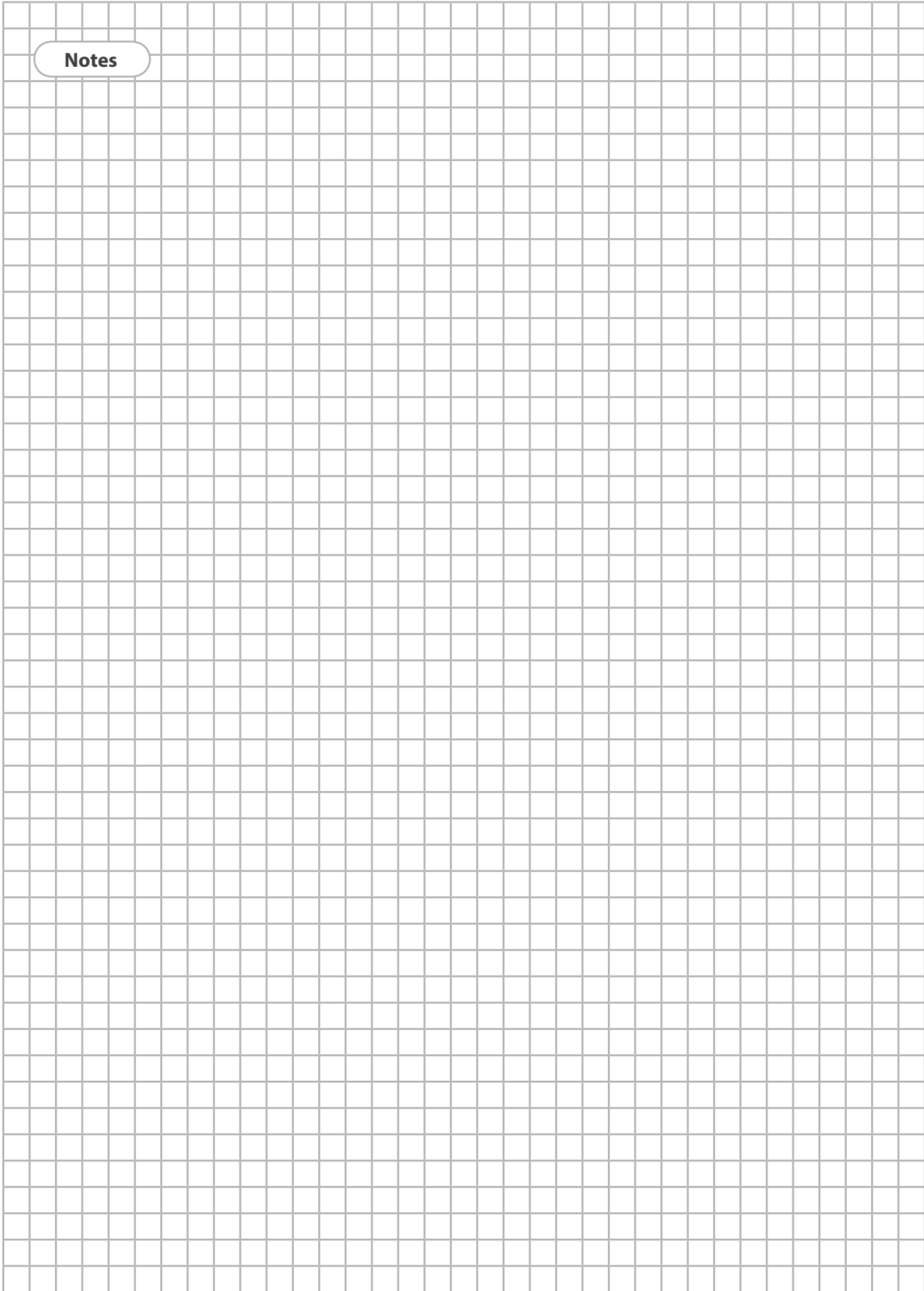
*BODYCRAFT*

 cardiojump

 **DUKEFITNESS**

**DARWIN**

Notes





 **DUKEFITNESS**

**HOMETRAINER** XB40