

eechelon[®]
STRIDE-6s



WELCOME

I am Lou Lentine, Founder of Echelon, and I would like to welcome you to the Echelon community. You've made a great decision for yourself and your family. The Echelon Experience is an innovative combination of fitness products integrated with our state-of-the-art Echelon Fit® app. This brand-new, fitness lifestyle connects your family, friends, the Echelon community, and Echelon instructors together to help you with your fitness goals. With thousands of live and on-demand classes, no matter your schedule or experience, there is always a new and exciting class for you to join.

We embrace your decision to join our Echelon family in the pursuit of living a healthier lifestyle. We are committed to continue engineering cutting edge, world-class fitness products to improve quality of life through workout experiences that make an active lifestyle more accessible and sustainable.

Thank you again for choosing Echelon and I look forward to seeing you in the next live class!

Best personal regards,



Lou Lentine
Founder of Echelon Fitness
Multimedia, LLC



TABLE OF CONTENTS

»	SAFETY INFORMATION	05
»	GROUNDING INSTRUCTIONS	07
»	TREADMILL SPECIFICATIONS	08
»	ASSEMBLY	09
»	PRODUCT USE	12
»	CARE & MAINTENANCE	16
»	TROUBLESHOOTING & ERROR CODES	17
»	NOTES	20



FEDERAL COMMUNICATION COMMISSION (FCC) STATEMENT

15.21

You are cautioned that changes or modifications not expressly approved by the party responsible for compliance could void the user's authority to operate the equipment.

15.105(B)

This equipment has been tested and found to comply with the limits for a Class B digital device, pursuant to part 15 of the FCC rules. These limits are designed to provide reasonable protection against harmful interference in a residential installation. This equipment generates, uses and can radiate radio frequency energy and, if not installed and used in accordance with the instructions, may cause harmful interference to radio communications. However, there is no guarantee that interference will not occur in a particular installation.

If this equipment does cause harmful interference to radio or television reception, which can be determined by turning the equipment off and on, the user is encouraged to try to correct the interference by one or more of the following measures:

- Reorient or relocate the receiving antenna.
- Increase the separation between the equipment and receiver.
- Connect the equipment into an outlet on a circuit different from that to which the receiver is connected.

Consult the dealer or an experienced radio/TV technician for help.

FCC RF RADIATION EXPOSURE STATEMENT:

1. This Transmitter must not be co-located or operating in conjunction with any other antenna or transmitter.
2. This equipment complies with RF radiation exposure limits set forth for an uncontrolled environment. This equipment should be installed and operated with a minimum distance of 20 cm between the radiator and your body.

THIS DEVICE COMPLIES WITH PART 15 OF THE FCC RULES.

OPERATION IS SUBJECT TO THE FOLLOWING TWO CONDITIONS:

1. This device may not cause harmful interference and
2. This device must accept any interference received, including interference that may cause undesired operation.

INNOVATION, SCIENCE AND ECONOMIC DEVELOPMENT CANADA (ISED) INNOVATION, SCIENCE ET DÉVELOPPEMENT ÉCONOMIQUE CANADA (ISED)

THIS CLASS B DIGITAL APPARATUS COMPLIES WITH CANADIAN ICES-003.

CET APPAREIL NUMÉRIQUE DE CLASSE B EST CONFORME À LA NORME NMB-003.

CANADIAN NOTICE

This device complies with ISED license-exempt RSS standard(s). Operation is subject to the following two conditions:

1. This device may not cause interference, and
2. This device must accept any interference, including interference that may cause undesired operation of the device.

AVIS CANADIEN

Le présent appareil est conforme aux CNR d'ISED applicables aux appareils radio exempts de licence. L'exploitation est autorisée aux deux conditions suivantes :

1. L'appareil ne doit pas produire de brouillage, et
2. L'utilisateur de l'appareil doit accepter tout brouillage radioélectrique subi, même si le brouillage est susceptible d'en compromettre le fonctionnement.

CAUTION: EXPOSURE TO RADIO FREQUENCY RADIATION

1. To comply with the Canadian RF exposure compliance requirements, this device and its antenna must not be co-located or operating in conjunction with any other antenna or transmitter.
2. To comply with RSS 102 RF exposure compliance requirements, a separation distance of at least 20 cm must be maintained between the antenna of this device and all persons.

ATTENTION: EXPOSITION AU RAYONNEMENT RADIOFRÉQUENCE

1. Pour se conformer aux exigences de conformité RF canadienne l'exposition, cet appareil et son antenne ne doivent pas être co-localisés ou fonctionnant en conjonction avec une autre antenne ou transmetteur.
2. Pour se conformer aux exigences de conformité CNR 102 RF exposition, une distance de séparation d'au moins 20 cm doit être maintenue entre l'antenne de cet appareil et toutes les personnes.

WARNING LABELS



WARNING | AVERTISSEMENT | ADVERTENCIA

KEEP CHILDREN AWAY FROM MACHINE

Risk of serious injury or death may occur if caution is not used.

Read and follow all warnings and instructions. For consumer equipment, ensure that proper instructions are obtained prior to use.

CAUTION:

Risk of personal injury. Keep children under the age of 13 away from machine.

To reduce the risk of injury from moving parts, unplug before servicing.

To reduce the risk of electric shock, unplug before cleaning or servicing.

TENIR LES ENFANTS À L'ÉCART DE LA MACHINE.

Risque de blessures ou de mort si la précaution n'est pas utilisée.

Avant l'utilisation, lire tous les avertissements et directives et, dans le cas d'équipement de conditionnement physique en établissement, obtenir toutes les directives appropriées.

ATTENTION :

Risque de blessure. Tenez les enfants de moins de 13 ans à distance de la machine.

Pour limiter le risque de blessure liée aux pièces en mouvement, Débranchez avant de réaliser l'entretien.

Pour limiter le risque de choc électrique, Débranchez avant de nettoyer ou de réaliser l'entretien.

MANTENGA A LOS NIÑOS ALEJADOS DE LA MAQUINA.

Riesgo de lesiones graves o la muerte si no se tiene cuidado.

Lea y siga todas las advertencias e instrucciones y, en el caso de equipo institucional, obtenga las instrucciones adecuadas antes de su uso.

PRECAUCIÓN:

Riesgo de lesiones personales. Mantenga a los niños menores de 13 años lejos de la máquina.

Para reducir el riesgo de lesiones por piezas móviles, Desenchufe antes de reparar.

Para reducir el riesgo de descarga eléctrica, Desenchufe antes de limpiar o reparar.

IMPORTANT SAFETY INSTRUCTIONS

Care should be taken in mounting or dismounting the treadmill. Before mounting or dismounting, bring the machine to a complete stop.

The manufacturer recommends placing the Echelon® Stride-6s treadmill in a space where you have the following minimum clearance dimensions for safe mounting and dismounting of the treadmill:

- The minimum clearance area behind the treadmill is 2.0 m (78.7 in) × the treadmill width. This area must be free of any and all obstructions.
- The minimum clearance area on each side of the treadmill is: 500 mm (19.7 in).

While cleaning your Echelon® Stride-6s treadmill, please use a soft rag with mild detergent or water to wipe down the machine. Do not use corrosive chemical liquids which may damage the cover.

When using an electrical appliance, basic precautions should always be followed, including the following:

Read all instructions before using the Echelon® Stride-6s treadmill.

FOR HOUSEHOLD USE ONLY.

SAVE THESE INSTRUCTIONS.

DANGER – TO REDUCE THE RISK OF ELECTRIC SHOCK:

Always unplug this appliance from the electrical outlet immediately after using and before cleaning.

BEFORE starting any fitness or strength program, consult with your physician or health official. This will ensure that you engage in the proper strength or fitness program for your age and physical condition.

Before using the Echelon® Stride-6s treadmill, answer these questions:

- Have you been sick recently?
- Have you had prolonged dizziness recently?
- Have you been out of breath for no reason recently?
- Have you had chest pain recently?
- Do you currently have any injuries preventing you from exercise?
- Are you pregnant?
- Do you have any conditions or reasons you should NOT exercise?
- Are you over 35 years old and physically inactive?
- Have you been told by a doctor that you should NOT exercise?

If you answer “yes” to any of the above questions, you should seek further advice from your doctor prior to using the Echelon® Stride-6s treadmill.

Read the user manual fully and follow all instructions. This ensures your safety.

- NEVER exceed the weight limit for this treadmill. The weight limit for this treadmill is 330 lbs / 150 kg. Do not use the Echelon® Stride-6s if your body weight is in excess of 330 lbs / 150 kg.
- ALWAYS use the Echelon® Stride-6s on solid, level ground and in a well-lit and ventilated area. Do not place the treadmill on thick carpet as it may interfere with ventilation.

WARNING – TO REDUCE THE RISK OF BURNS, FIRE, ELECTRIC SHOCK, OR INJURY TO PERSONS:

1. An appliance should never be left unattended when plugged in. Unplug from outlet when not in use, and before putting on or taking off parts.
2. Do not operate under blanket or pillow. Excessive heating can occur and cause fire, electric shock, or injury to persons.
3. This appliance is not intended for use by persons with reduced physical, sensory or mental capabilities, or lack of experience and knowledge, unless they have been given supervision or instruction concerning use of the appliance by a person responsible for their safety. **Keep children under the age of 13 away from this machine.**
4. Use this appliance only for its intended use as described in this manual. Do not use attachments not recommended by the manufacturer.
5. Connect this appliance to a properly grounded outlet only. See Grounding Instructions for important information on page 7.
6. Never operate this appliance if it has a damaged cord or plug, if it is not working properly, if it has been dropped or damaged, or dropped into water. Return the appliance to a service center for examination and repair.
7. Do not carry this appliance by supply cord or use cord as a handle.
8. Keep the cord away from heated surfaces.
9. Never operate the appliance with the air openings blocked. Keep the air openings free of lint, hair, and the like.
10. Never drop or insert any object into any opening.
11. Do not use outdoors.
12. Do not operate where aerosol (spray) products are being used or where oxygen is being administered.
13. To disconnect, turn all controls to the off position, then remove plug from outlet.

- ALWAYS check the treadmill for wear or loose components before use.
- NEVER use the treadmill if it is not properly / completely assembled or is damaged in any way.
- NEVER allow children or pets to play on or around the treadmill during operation. This helps protect them from injury from moving parts.
- ALWAYS set the treadmill up properly for your specific body type.
- NEVER use the Echelon® Stride-6s when sick or fatigued.
- ALWAYS warm up / stretch before starting exercise.
- ALWAYS ensure that you have a water bottle filled with at least 12 oz. of water and a towel close by to absorb sweat from your body and the handrails.
- NEVER start the treadmill while you are standing on the running belt. After turning the power on and adjusting the speed control, there may be a pause before the running belt begins to move. Always stand on the side rails of the frame until the belt begins to move.
- ALWAYS hold the handrails when initially walking or running on the treadmill until you are familiar with the use of the treadmill.
- NEVER stand or climb on the handrails.
- ALWAYS wear proper attire and footwear that fully covers your feet. Do not wear loose or dangling clothing while using the treadmill. Long hair should be tied back or tucked away. Ensure that shoelaces are tucked into your shoes.
- ALWAYS keep hands away from moving parts and ensure that hands are safely placed on handlebars during use.
- NEVER pickup this treadmill when the deck is NOT folded up.



GROUNDING INSTRUCTIONS

This product must be grounded. If it should malfunction or break down, grounding provides a path of least resistance for electric current to reduce the risk of electric shock. This product is equipped with a cord having an equipment-grounding conductor and a grounding plug. The plug must be plugged into an appropriate outlet that is properly installed and grounded in accordance with all local codes and ordinances.

Two common types of outlets presently in homes are: GFCI (Ground Fault Circuit Interrupter) and AFCI (Arc Fault Circuit Interrupter). Should hazardous wiring occur, either outlets are programmed to trip. Due to this, treadmills and other equipment have poor interactions with the GFCI or AFCI outlets.

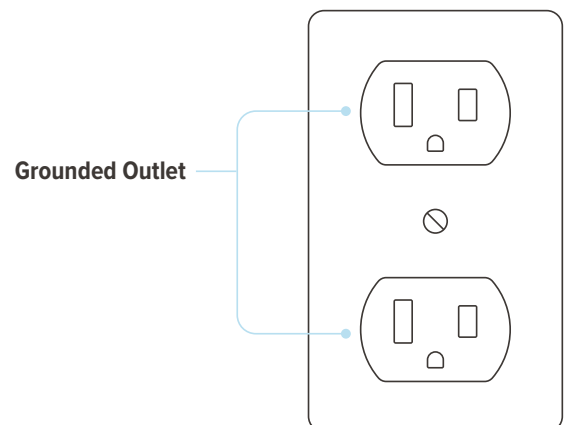
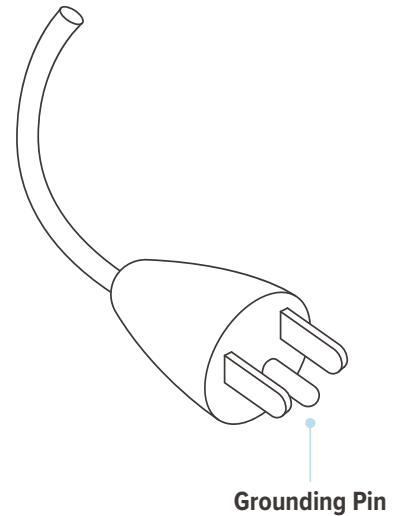
Ofentimes, GFCI outlets are installed in either bathrooms or kitchens. These can be identified with either a red or white reset switch that is located on the front of the outlet. Should an excessive amount of power go through the group port, the GFCI outlet will flip their breaker. Due to treadmills and other equipment using the ground prong to help disperse static electricity, it is not ideal to use a GFCI outlet to power your machine. It is recommended that equipment be plugged into a different type of outlet that will prevent the machine from continually shutting down. Please note that GFCI outlets can be connected to other outlets (even if they're not that specific type of outlet) and it is recommended moving the equipment to a space that is not electrically tied together. Do not plug your equipment into surge protectors or other types of units, it is recommended that the equipment is plugged into a dedicated circuit.

Electrical arcs are detected by AFCI outlets and are designed to disrupt and cancel the flow of electricity. Due to this, treadmills and other equipment would likely have issues of shutting down if plugged into AFCI outlets. Newer building codes now require AFCI outlets, however, if you're having persistent issues, here are some recommended solutions: consult an electrician or switch to a different type of outlet.

DANGER:

Improper connection of the equipment-grounding conductor can result in a risk of electric shock. Check with a qualified electrician or serviceman if you are in doubt as to whether the product is properly grounded. Do not modify the plug provided with the product.

If it will not fit the outlet, have a proper outlet installed by a qualified electrician. This product is for use on a nominal 120-V circuit and has a grounding plug that looks like the plug illustrated in sketch A. Make sure that the product is connected to an outlet having the same configuration as the plug. No adapter should be used with this product



TREADMILL SPECIFICATIONS

TECHNICAL INFORMATION:

Max. User Weight: 330 lbs
 Assembly Dimension: 5.4' x 2.7' x 4.75'
 Running Area: 20" x 60"
 Speed: 0.5-12.4 mph // Incline: 0-12%





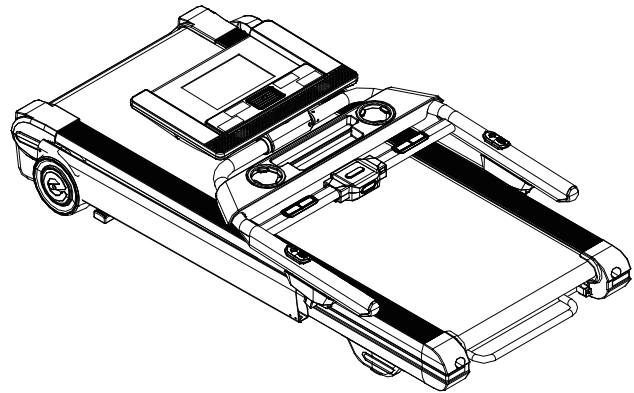
TREADMILL ASSEMBLY

STEP 1

Assembly should take place on a soft surface, such as a carpet or rug, or with the cardboard box opened to protect the floor.

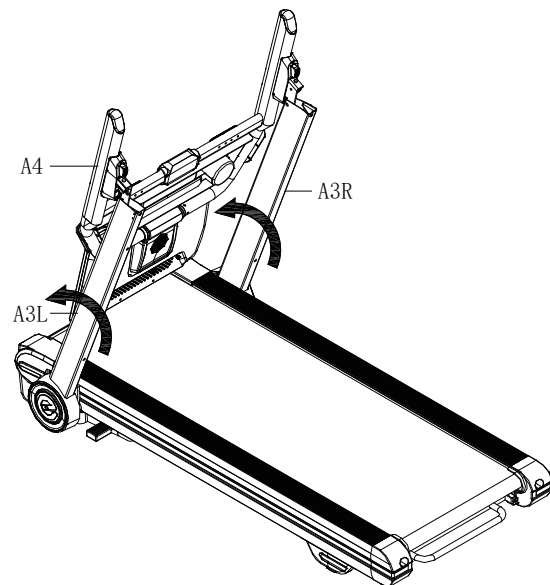
Remove equipment and screen from box.
Place it flat on the floor.

Note: Do not roll the treadmill out of the box with the plastic wrap around the transport wheels, doing so could cause the plastic to bunch up in the wheels and make it hard to move.



STEP 2

Lift up the handlebar and push the #A3L/A3R Left/Right upright forward until you hear a “click” sound indicating it is locked into position.

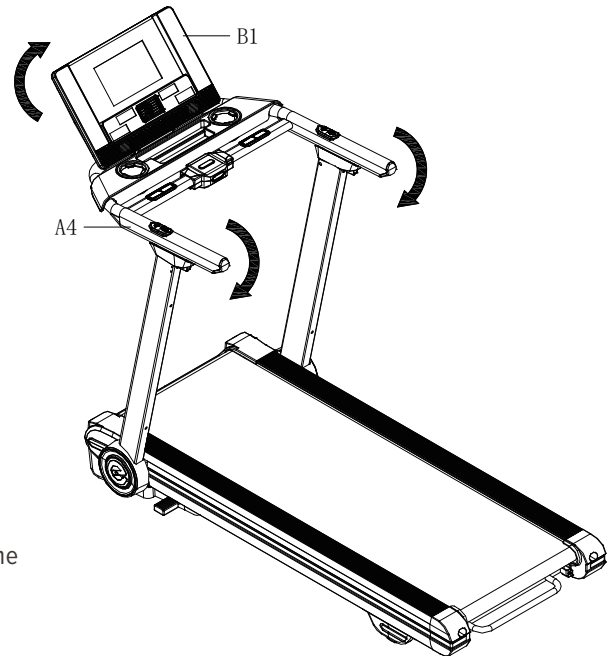


STEP 3

Lift #A4 and push it downward until there is an audible “click” sound indicating the handlebar is locked into position.

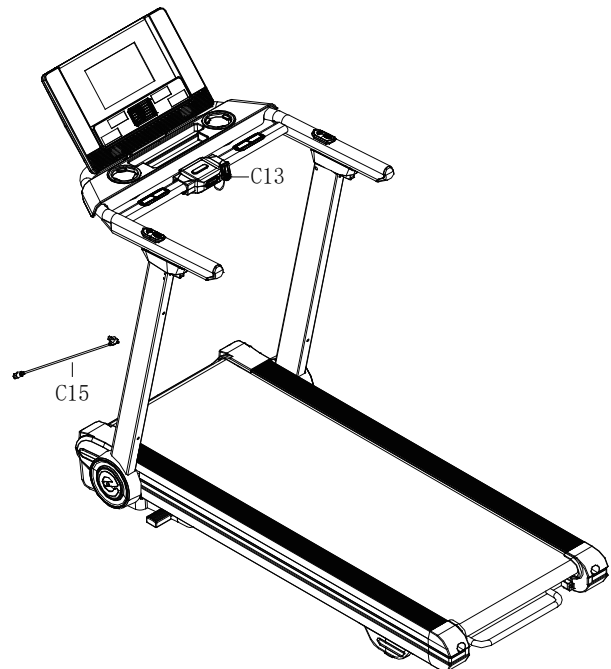
Rotate the #B1 console and angle forward based on preference for use.

Note: The console is adjusted with a self locking system, (with the treadmill off) use both hands on each side of the console when adjusting and firmly push forwards or pull backwards to adjust.



STEP 4

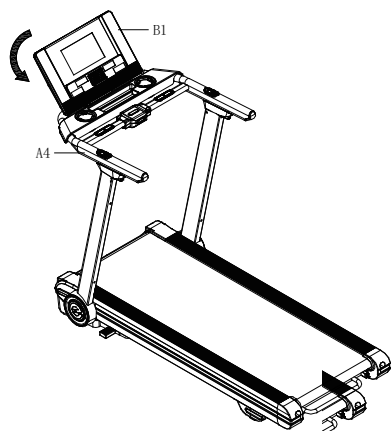
Plug into the #C15 Power Cord and #C13 Safety Key to start the exercise.



FOLDING INSTRUCTIONS

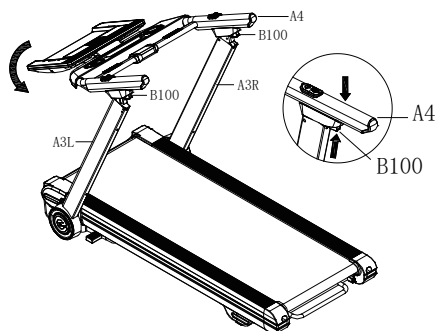
STEP 1

Rotate the #B1 console backwards so that it is horizontal with the #A4 handlebars.



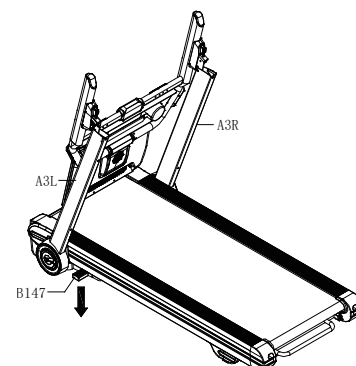
STEP 2

Press the button under #A4 on the handlebar to lift up and push back until an audible “click” indicates that it is locked into place horizontally with the uprights.



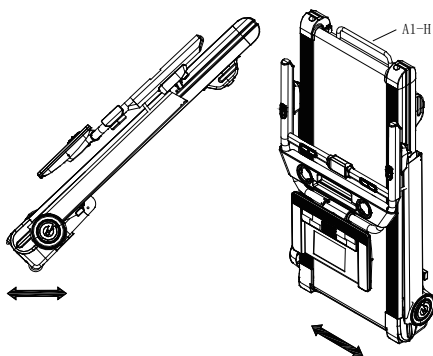
STEP 3

Step down on the #B147 rectangular shaped lever to begin the auto folding process. Once complete, the uprights and console will lay flat with the running deck.



STEP 4

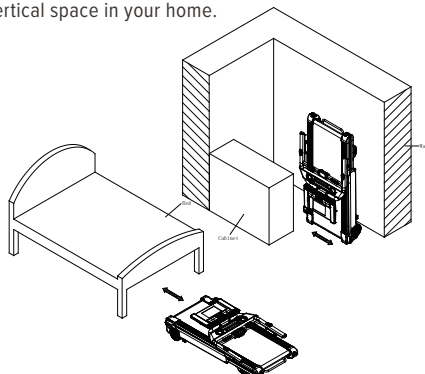
For transport, lift up on the treadmill from the backside to ensure heaviest end is closest to the ground.



STEP 5

Recommended Storage: Place treadmill at standing position against a wall for storage, or place it under the bed to save space.

The height of the treadmill is 10.25 in (26 cm) when laying horizontally. If the space is less than 10.25 in (26 cm) High under your bed, try utilizing the vertical space in your home.



WHEN STORING THE TREADMILL IN AN UPRIGHT POSITION, PLEASE INSTALL SAFETY STRAPS TO THE WALL TO SECURE AND PREVENT TREADMILL FROM TIPPING OVER.

Use the provided anchors and screws to install the safety straps. For concrete walls, drill two 0.315 in (8 mm) pilot holes with 1.6 in (40 mm) depth, 32 in (81 cm) apart, and 47.2 in (120 cm) above floor.

NOTE: For wood walls, locate two wall studs 32 in (81 cm) apart and drill appropriate pilot holes. Drive screws into pilot holes without anchors.

PRODUCT USE



Membership
Activation
Required
to Unlock
the Echelon
Stride-6s
Treadmill
Experience

Activate Echelon Premier Membership to connect to classes.

You should have received an activation email after purchasing this product.

- a. Follow the link from the activation email.
- b. Choose "**Sign Up Now**" and follow the prompts to complete your membership enrollment.

Connecting to the Echelon Fit® App

1. Ensure your treadmill and screen are powered on.

- a. The power cord should be plugged into the wall and into the base of the treadmill.
- b. Flip the power switch next to the treadmill plug. Power switch will glow red when in ON position.
- c. The screen will take a few minutes to fully power on and be ready for sign-in.

2. Echelon Fit® App.

- a. Use the email and password used to create your membership account.
- b. Select user (there may only be one option).

3. Select a class.

- a. We recommend a "Welcome Run", but any class will work.
- b. Press play.

EXERCISE DATA RANGE

Display Range:

Speed

0.5 mph – 12.4 mph

Distance

0 mile – 99.9 miles (0 kilometer – 99.9 kilometer)

Time

0:00 – 99:59

Incline

Level 0 – Level 12

Calories

0 Kcal – 9999 Kcal

PULSE & DISTANCE:

The accumulated distance during the workout will show when no heart rate is detected. Once heart rate signal is detected, display switches between “Distance” and “Pulse” every 5 seconds.

TIME & CALORIES:

Display switches between “Time” and “Calories” every 5 seconds. Time will show the duration of the exercise. Calories will show calories burned during the exercise.

INCLINE:

Incline unit = 0 – 12 levels. Displays current incline level of the exercise.

SPEED:

Displays current running speed of the exercise.

CONTROL BUTTON DEFINITION**START/STOP:**

When treadmill is not activated (at stop or pause status), press “START/STOP” button to begin the exercise after a 3 second countdown. When treadmill is activated, press the “START/STOP” button 1 time to temporarily stop the exercise (Pause Status). Speed goes to zero and incline stops at current incline level. When it’s in “Pause Status”, press “START/STOP” button to end the exercise.

QUICK SPEED:

Quick speed has 10 buttons: 3 mph, 4 mph, 5 mph, 6 mph, 7 mph, 8 mph, 9 mph, 10mph, 11 mph, and 12 mph.

QUICK INCLINE:

Quick incline has 10 buttons: level 1, level 2, level 3, level 4, level 5, level 6, level 7, level 8, level 9, and level 10.

LEFT HANDLEBAR:

To alternate between incline and volume functions, press the button in front of the wheel.

1. Incline Adjustment (Wheel Light is Blue)
 - a. Rotate wheel forward to increase incline.
 - b. Rotate wheel back to decrease incline.
2. Volume Adjustment (Wheel Light is Green)
 - a. Rotate wheel forward to increase volume.
 - b. Rotate wheel back to decrease volume.

RIGHT HANDLEBAR:

To alternate between 0.1 and 1.0 speed adjustment, press the button in front of the wheel.

1. 0.1 Speed Adjustment (Wheel Light is Blue)
 - a. Rotate wheel forward to increase speed by 0.1.
 - b. Rotate wheel back to decrease speed by 0.1.
2. 1.0 Speed Adjustment (Wheel Light is Green)
 - a. Rotate wheel forward to increase speed by 1.
 - b. Rotate wheel back to decrease speed by 1.

FAN:

Press “ON” button to turn on the fan function. Press “OFF” button to turn off the fan function.

PRODUCT FEATURES

When power is on, display lights up for 2 seconds on all windows and enters standby mode. Speed window displays current firmware version for 2 seconds before entering standby mode.

To start “Manual Mode”, insert safety key firmly into correct position and press “START/STOP” button. Console begins countdown for 3 seconds and belt starts to run at lowest speed of 0.5 mph (0.8 km/h). To adjust “Speed” or “Incline”, press “Wheel Quick button for Speed”, “Wheel Quick Button Incline”, “Quick Speed”, and “Quick Incline” for appropriate settings. To end the exercise, press “Stop” or fully remove safety key.

PULSE:

To detect a pulse, please wear an exercise heart rate monitor. Pulse window displays the spotted pulse value.

IMPORTANT: The detected pulse value is not for medical purpose.

SLEEP MODE:

Console goes into “Sleep Mode” when there’s no function for 10 minutes. Pressing any button awakens the console to begin the exercise. During Sleep Mode, touch screen will continue to light up.

SAFETY KEY:

All data clears after removing the safety key and all windows display “---”. All functions can only be operated when safety key is firmly inserted into correct position. Make sure to clip the safety key lanyard to the firmest part of your clothing for your own safety when using the treadmill.

USB POWER CHARGER:

On the console housing, there’s one USB charger with 5V and 2A output. This is USB-A. Plug in the power cable and connect with your smartphone for power charging.

BLUETOOTH AUDIO CONNECT:

Connect a bluetooth audio device to the treadmill to amplify your music or audio.

BELT ADJUSTMENT

1. Swerving Right

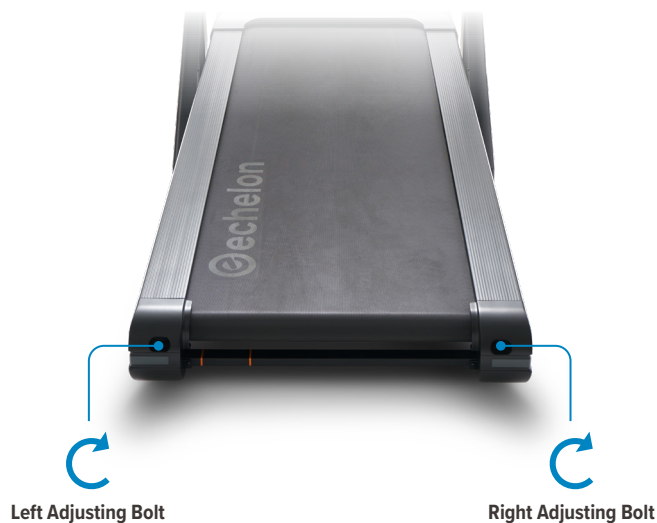
- Remove the safety key and turn the power OFF.
- Turn the right adjusting bolt 1/4 clockwise. Re-insert the safety key and turn the power ON.
- Run the treadmill (3–4 mph/6–8 kph) and observe.
- Repeat above steps **a–c** until belt is centered.

2. Swerving Left

- Remove the safety key and turn the power OFF.
- Turn the left adjusting bolt 1/4 clockwise. Re-insert the safety key and turn the power ON.
- Run the treadmill (3–4 mph/6–8 kph) and observe.
- Repeat above steps **a–c** until belt is centered.

3. Tightening Belt

- Remove the safety key and turn the power OFF.
- Turn the left/right adjusting bolts 1/4 turn clockwise. Re-insert the safety key and turn the power ON.
- Run the treadmill (3–4 mph/6–8 kph) and stand on the belt to confirm the tightness.
- Repeat above steps **a–c** until the belt is moderately tight.



BELT LUBRICATION

The Echelon Stride-6s requires lubrication as a part of routine maintenance according to the recommended schedule below.

Light Usage	Medium Usage	Heavy Usage
Once Every 60 Days	Once Every 45 Days	Once Every 30 Days

- Keeping the deck lubricated at the recommended intervals above ensures the longest life possible for your treadmill.
- Failure to lubricate the deck at regular intervals may void the warranty.
- It is recommended every other month to reach between the belt and deck to verify there is lubrication present every other month.

- Power off the treadmill and unplug the power cord.
- Using Allen Wrench (B), loosen rear adjusting bolts with 5–10 counter-clockwise turns.
- Lift the running belt and apply silicone oil in a zigzag pattern across the entire running deck surface. Use 1/2 bottle of silicone oil. DO NOT apply the silicone oil on top of the running belt.
- Lay the running belt flat and tighten the rear adjusting bolts clockwise the same number of times loosened from step 2.
- After the lubricant is applied, plug in the power cord, insert the safety key, and turn power the treadmill on.



CARE & MAINTENANCE

Daily

1. Power off the treadmill and clean any high-use areas, like the handlebars and console, with a non-acidic cleaner (NO ammonia, chlorine, or alcohol) on a soft cloth. Do not spray cleaning solution directly on the treadmill as that could ruin any electrical components.
2. Inspect the power cord for damage. If damaged, replace immediately by contacting Customer Service.
Note: When the treadmill is not in use, unplug and store the power cord in a secure, dry area and away from children.
3. The safety key and power cord should be removed after each use so the treadmill is not accidentally powered on when not in use.
4. Inspect for any noises that could indicate potential issues. If a troubling noise is indicated please contact Customer Service.

Weekly

1. Clean the running belt, console, uprights, and motor cover with non-acidic cleaners and a soft cloth. Cleaners should be applied to the cloth and never sprayed onto the equipment directly.
2. Inspect all the assembled and pre-assembled hardware and tighten or re-secure as-needed. This includes but is not limited to the following:
 - a. Handlebars & Uprights
 - b. Tablet
 - c. Running Belt
3. Dust and vacuum the treadmill and the surrounding area. To clean underneath the treadmill, turn off the power, fold, and roll the treadmill to an alternate location. Return the treadmill to its original location after cleaning.
4. Ensure your app and equipment firmware are up-to-date with the latest versions.
5. Check the belt for any looseness, this will cause the treadmill to receive improper info when calculating metrics if it is not properly tightened. When tightening make sure to adjust both sides of the rear roller evenly with the provided Allen Wrench, turning clockwise to tighten there should only be a 2 - 3 inch gap when lifting the belt. Do not tighten the belt rollers in excess of 10 full rotations, doing so could damage components of the treadmill. If you feel as if you have done this make sure to start working backwards to correct any overtightening. If these steps do not correct the issue, please resort to the belt lubrication instructions, or call our customer service if you require further assistance.

Weekly | 2-a



Monthly

1. Check the alignment on the treadmill running belt by ensuring it is centered and glides smoothly over the running deck. Utilize the instructions located in your user manual for “re-centering” the belt to troubleshoot and fix. Refer to page 15 for belt adjustment instructions.
2. Start the treadmill at a low speed and test for any slippage of the belt to ensure the motor is applying the proper torque.
3. If you hear any rubbing noises, find the treadmill belt off-center beyond the provided instructions, or encounter damage to the running deck, please stop treadmill usage and contact Customer Service for assistance.

Echelon Fitness Customer Service:

☎ (833) 937-2453 USA

+49 40 52592884 UK

✉ cs@echelonfit.com

ERROR CODES AND TROUBLE SHOOTING

ERROR CODE	PROBLEMS	SOLUTIONS
E00	No signal detection of safety key from lower control board	<ol style="list-style-type: none"> 1. Check the safety key wire is connected well onto the lower control board. 2. Replace a new safety key wire.
E01	Connection fails between “PCB” and “Lower Control Board”	<ol style="list-style-type: none"> 1. Check every wire is connected well between PCB and lower control board. 2. Check if any of the wires are damaged. 3. Check if PCB or lower control board is in good condition. If any chip is damaged, change PCB or lower control board.
E02	Over-loading Protection	<ol style="list-style-type: none"> 1. Check if power outlet has low voltage supply. If so, change a power outlet. 2. Check if lower control board has bad smell. If so, change a lower control board. 3. Check if wires connected to motor are well connected.
E03	No signal from speed sensor	<ol style="list-style-type: none"> 1. Check if wire of speed sensor is well connected. 2. Check if wire or speed sensor is damaged. If so, replace wire and speed sensor.
E04	Incline motor damage	Perform incline calibration <ol style="list-style-type: none"> 1. Remove Safety Key. 2. Press and hold “Start/Stop” buttons for over 3 seconds. 3. After the incline calibration is completed, test the treadmill again by powering on and press “Start” button.
E05	Over-current Protection	<ol style="list-style-type: none"> 1. Check if any part on motor is stuck. U-plug power cable and adjust motor. Plug back in the power cable and re-start to run the treadmill. 2. Check if motor has burned smell. If so, change a motor. 3. Check if lower control board has burned smell. If so, change a lower control board. 4. Check if power outlet has low voltage supply. If so, change a power outlet.
E06	Self-checking error on controller	<ol style="list-style-type: none"> 1. Check if wires of motor are well connected and in good condition. 2. Check if IGBT on lower control board has burned smell. If so, change a lower control board. 3. Check if PCB is in good condition.
E07	Parameter lost	Replace a lower control board.
E08	EEPROM damage (on lower control board)	Replace a lower control board.
E09	Voltage issue or IPM over-heated	Replace a lower control board.
EEP	EEPROM damage (on upper control board)	Replace a button platform set (upper control board is assembled together with button platform).
NO CODE SHOWN	Motor damage or motor circuit damage	<ol style="list-style-type: none"> 1. Check if wires connected to motor are well connected. 2. Check if fuse on lower control board is damaged. If so, change a new lower control board. 3. Check if IGBT on lower control board is working by using the multi-meter. If so, change a lower control board.

eechelon™

Who's working out today?



Christopher



Dick



Jenn



Shelly



Karen



Sign Out

00



0:00

Questions or Concerns

Our members are our priority! If you require assistance or have concerns, please contact our customer service team.

☎ (833) 937-2453 USA
+49 40 52592884 UK

✉ cs@echelonfit.com

Submit a Request:



Warranty Information

Your Echelon Stride-6s treadmill comes with a 1-year parts and labor warranty. Should the need arise, all you need is a proof of purchase and our customer service team will be happy to assist. Additional 1- or 2-year extended warranties are available through customer service.



MODEL: ECH-STRIDE-6s

ECHELON FITNESS MULTIMEDIA, LLC
605 CHESTNUT STREET, SUITE 700
CHATTANOOGA, TN 37450

EHELONFIT.COM



READ INSTRUCTIONS
BEFORE OPERATING

MADE IN
CHINA

PATENT
PENDING

REV: 12082024

MODEL: ECH-STRIDE-6s

ECHELON FITNESS MULTIMEDIA, LLC.
27 OLD GLOUCESTER STREET
LONDON, UNITED KINGDOM, WC1N 3AX

EHELONFIT.UK

eechelon[®]
STRIDE-6s



BIENVENUE

Je suis Lou Lentine, fondateur d'Echelon, et je vous souhaite la bienvenue dans la communauté Echelon. Vous avez pris une grande décision pour vous et votre famille. L'expérience Echelon est une combinaison innovante de produits de remise en forme intégrée à notre application haute technologie Echelon Fit®. Ce tout nouveau mode de vie de remise en forme relie votre famille, vos amis, la communauté Echelon et les instructeurs Echelon pour vous aider à atteindre vos objectifs de remise en forme. Avec des milliers de cours en direct et à la demande, quel que soit votre emploi du temps ou votre expérience, il y a toujours un nouveau cours passionnant auquel vous pouvez vous inscrire.

Nous sommes heureux que vous ayez décidé de rejoindre la famille Echelon pour mener une vie plus saine. Nous engageons à continuer à concevoir des produits de remise en forme de pointe et de classe mondiale pour améliorer la qualité de vie grâce à des expériences d'entraînement qui rendent un mode de vie actif plus accessible et plus durable.

Merci encore d'avoir choisi Echelon et je suis impatient de vous voir dans le prochain cours en direct!

Bien cordialement,



Lou Lentine
Fondateur d'Echelon Fitness
Multimedia, LLC



SOMMAIRE

»		CONSIGNES DE SÉCURITÉ	28
»		INSTRUCTIONS DE MISE À LA TERRE	31
»		CARACTÉRISTIQUES TECHNIQUES DU TAPIS ROULANT	32
»		ASSEMBLAGE	33
»		UTILISATION DU PRODUIT	36
»		ENTRETIEN	40
»		DÉPANNAGE ET CODES D'ERREUR	41
»		NOTES	44



DÉCLARATION DE LA COMMISSION FÉDÉRALE DES COMMUNICATIONS (FCC)

15.21

Vous êtes averti que tout changement ou modification non expressément approuvé par la partie responsable de la conformité pourrait annuler le droit de l'utilisateur à utiliser l'appareil.

15.105(B)

Cet appareil a été testé et jugé conforme aux limites applicables aux appareils numériques de classe B, conformément à la partie 15 des règles de la FCC. Ces limites sont conçues pour fournir une protection raisonnable contre les interférences nuisibles dans une installation résidentielle. Cet appareil génère, utilise et peut émettre de l'énergie de radiofréquence et, s'il n'est pas installé et utilisé conformément aux instructions, il peut causer des interférences nuisibles aux communications radio. Cependant, il n'y a aucune garantie que des interférences ne se produiront pas dans une installation particulière.

Si cet appareil cause des interférences nuisibles à la réception radio ou télévision, ce qui peut être vérifié en allumant et en éteignant l'appareil, l'utilisateur est encouragé à essayer de corriger l'interférence par une ou plusieurs des mesures suivantes :

- Réorientez ou déplacez l'antenne de réception.
- Augmentez la distance de séparation entre l'appareil et le récepteur.
- Branchez l'appareil sur une prise de courant d'un circuit différent de celui auquel le récepteur est connecté.

Contactez le concessionnaire ou un technicien radio/TV expérimenté pour obtenir de l'aide.

DÉCLARATION DE LA FCC SUR L'EXPOSITION AUX RADIATIONS RF :

1. Cet émetteur ne doit pas être installé au même endroit ou fonctionner en conjonction avec une autre antenne ou un autre émetteur.
2. Cet équipement est conforme aux limites d'exposition aux radiations RF établies pour un environnement non contrôlé. Cet équipement doit être installé et utilisé avec une distance minimale de 20 cm entre le radiateur et votre corps.

CET APPAREIL EST CONFORME À LA PARTIE 15 DES RÈGLES DE LA FCC. SON FONCTIONNEMENT EST SOUMIS AUX DEUX CONDITIONS SUIVANTES :

1. Cet appareil ne doit pas produire de brouillage nocif ; et
2. L'utilisateur de l'appareil doit accepter tout brouillage radioélectrique subi, même si le brouillage est susceptible d'en compromettre le fonctionnement.

INNOVATION, SCIENCE AND ECONOMIC DEVELOPMENT CANADA (ISED) INNOVATION, SCIENCE ET DÉVELOPPEMENT ÉCONOMIQUE CANADA (ISED)

CET APPAREIL NUMÉRIQUE DE CLASSE B EST CONFORME À LA NORME CANADIENNE ICES-003.

CET APPAREIL NUMÉRIQUE DE CLASSE B EST CONFORME À LA NORME NMB-003.

AVIS CANADIEN

Le présent appareil est conforme aux CNR d'ISED applicables aux appareils radio exempts de licence. Son fonctionnement est soumis aux deux conditions suivantes :

1. Cet appareil ne doit pas produire de brouillage, et
2. Cet appareil doit accepter tout brouillage radioélectrique subi, même si le brouillage est susceptible d'en compromettre le fonctionnement.

AVIS CANADIEN

Le présent appareil est conforme aux CNR d'ISED applicables aux appareils radio exempts de licence. L'exploitation est autorisée aux deux conditions suivantes :

1. L'appareil ne doit pas produire de brouillage, et
2. L'utilisateur de l'appareil doit accepter tout brouillage radioélectrique subi, même si le brouillage est susceptible d'en compromettre le fonctionnement.

ATTENTION : EXPOSITION AU RAYONNEMENT DE RADIOFRÉQUENCES

1. Pour se conformer aux exigences de conformité RF canadienne l'exposition, cet appareil et son antenne ne doivent pas être co-localisés ou fonctionnant en conjonction avec une autre antenne ou transmetteur.
2. Pour se conformer aux exigences de conformité CNR 102 RF exposition, une distance de séparation d'au moins 20 cm doit être maintenue entre l'antenne de cet appareil et toutes les personnes.

ATTENTION: EXPOSITION AU RAYONNEMENT RADIOFRÉQUENCE

1. Pour se conformer aux exigences de conformité RF canadienne l'exposition, cet appareil et son antenne ne doivent pas être co-localisés ou fonctionnant en conjonction avec une autre antenne ou transmetteur.
2. Pour se conformer aux exigences de conformité CNR 102 RF exposition, une distance de séparation d'au moins 20 cm doit être maintenue entre l'antenne de cet appareil et toutes les personnes.

ÉTIQUETTES D'AVERTISSEMENT



▲ WARNING AVERTISSEMENT ADVERTENCIA		
<p>KEEP CHILDREN AWAY FROM MACHINE</p> <p>Risk of serious injury or death may occur if caution is not used.</p> <p>Read and follow all warnings and instructions. For consumer equipment, ensure that proper instructions are obtained prior to use.</p> <p>CAUTION:</p> <p>Risk of personal injury. Keep children under the age of 13 away from machine.</p> <p>To reduce the risk of injury from moving parts, unplug before servicing.</p> <p>To reduce the risk of electric shock, unplug before cleaning or servicing.</p>	<p>TENIR LES ENFANTS À L'ÉCART DE LA MACHINE.</p> <p>Risque de blessures ou de mort si la précaution n'est pas utilisée.</p> <p>Avant l'utilisation, lire tous les avertissements et directives et, dans le cas d'équipement de conditionnement physique en établissement, obtenir toutes les directives appropriées.</p> <p>ATTENTION :</p> <p>Risque de blessure. Tenez les enfants de moins de 13 ans à distance de la machine.</p> <p>Pour limiter le risque de blessure liée aux pièces en mouvement, Débranchez avant de réaliser l'entretien.</p> <p>Pour limiter le risque de choc électrique, Débranchez avant de nettoyer ou de réaliser l'entretien.</p>	<p>MANTENGA A LOS NIÑOS ALEJADOS DE LA MAQUINA.</p> <p>Riesgo de lesiones graves o la muerte si no se tiene cuidado.</p> <p>Lea y siga todas las advertencias e instrucciones y, en el caso de equipo institucional, obtenga las instrucciones adecuadas antes de su uso.</p> <p>PRECAUCIÓN:</p> <p>Riesgo de lesiones personales. Mantenga a los niños menores de 13 años lejos de la máquina.</p> <p>Para reducir el riesgo de lesiones por piezas móviles. Desenchufa antes de reparar.</p> <p>Para reducir el riesgo de descarga eléctrica, Desenchufe antes de limpiar o reparar.</p>

CONSIGNES DE SÉCURITÉ IMPORTANTES

Faites attention au moment de monter sur le tapis roulant ou d'en descendre. Arrêtez complètement la machine avant de monter ou de descendre.

Le fabricant recommande de placer le tapis de course Echelon® Stride 6s dans un endroit permettant de disposer d'un espace suffisant pour monter et démonter le tapis en toute sécurité :

- L'espace derrière le tapis de course doit être d'au moins 78,7 po (2 mètres). L'espace doit être parfaitement dégagé.
- L'espace derrière le tapis roulant doit être d'au moins : 19,7 po (500 mm).

Pour nettoyer votre tapis roulant Echelon® Stride 6s, utilisez un chiffon doux avec un détergent doux ou de l'eau. N'utilisez pas de liquides chimiques corrosifs qui pourraient endommager le revêtement.

Lors de l'utilisation d'un appareil électrique, il est indispensable d'appliquer les précautions de base, notamment :

Veillez lire toutes les instructions avant d'utiliser l'Echelon® Stride 6s.

POUR USAGE DOMESTIQUE UNIQUEMENT.

CONSERVEZ CETTE NOTICE.

DANGER - POUR RÉDUIRE LE RISQUE D'ÉLECTROCUTION :

Débranchez toujours cet appareil immédiatement après l'avoir utilisé et avant de le nettoyer.

AVANT de commencer un programme de remise en forme ou de musculation, consultez votre médecin ou un responsable de santé. Cela vous permettra de vous engager dans un programme de force ou de remise en forme adapté à votre âge et à votre condition physique.

Avant d'utiliser le tapis Echelon® Stride 6s, veuillez répondre aux questions suivantes :

- Avez-vous été malade récemment?
- Avez-vous eu des étourdissements prolongés récemment?
- Avez-vous été essoufflé sans raison récemment?
- Avez-vous eu des douleurs thoraciques récemment?
- Avez-vous actuellement des blessures qui vous empêchent de faire de l'exercice?
- Êtes-vous enceinte?
- Avez-vous des raisons ou un état physique qui vous empêchent de faire de l'exercice?
- Avez-vous plus de 35 ans et êtes-vous physiquement inactif?
- Un médecin vous a-t-il dit que vous NE devriez PAS faire de l'exercice?

Si vous répondez « oui » à l'une des questions ci-dessus, vous devez demander d'autres conseils à votre médecin avant d'utiliser le tapis Echelon® Stride 6s.

Lisez attentivement le manuel d'utilisation et suivez toutes les instructions. Cela garantira votre sécurité.

- NE dépassez JAMAIS la limite de poids pour ce tapis roulant. La limite de poids pour ce tapis de course est de 330 livres (150 kg). N'utilisez pas le tapis Echelon® Stride 6s vous pesez plus de 330 livres/150 kg.
- Utilisez TOUJOURS le tapis roulant Echelon® Stride 6s sur un sol ferme et régulier et dans un endroit parfaitement éclairé et aéré. Ne placez pas le tapis roulant sur un tapis épais car cela peut gêner la ventilation.
- Vérifiez TOUJOURS si des pièces du tapis de course présentent des signes d'usure ou sont desserrées avant utilisation.
- N'utilisez JAMAIS le tapis roulant s'il n'est pas correctement/complètement assemblé ou s'il est endommagé.

AVERTISSEMENT – POUR RÉDUIRE LE RISQUE DE BRÛLURES, D'INCENDIE, D'ÉLECTROCUTION OU DE BLESSURES :

1. Un appareil électrique ne doit jamais être laissé sans surveillance lorsqu'il est branché. Débranchez-le lorsqu'il n'est pas utilisé et avant de mettre ou de retirer des pièces.
2. Évitez de faire fonctionner l'appareil sous une couverture ou un oreiller. Une surchauffe peut se produire et provoquer un incendie ou un choc électrique ou entraîner des blessures.
3. Cet appareil n'est pas destiné à être utilisé par des personnes dont les capacités physiques, sensorielles ou mentales sont réduites ou qui manquent d'expérience et de connaissances, sauf si elles ont été supervisées ou ont reçu des instructions concernant l'utilisation de l'appareil par une personne responsable de leur sécurité. **Empêchez l'accès à l'appareil aux enfants de moins de 13 ans.**
4. N'utilisez cet appareil que pour l'usage pour lequel il a été conçu et qui est décrit dans ce manuel. N'utilisez pas d'accessoires non recommandés par le fabricant.
5. Ne branchez cet appareil qu'à une prise de courant correctement reliée à la terre. Consultez les instructions de mise à la terre sur la page 6 pour obtenir des informations importantes.
6. N'utilisez jamais cet appareil si son câble ou sa fiche est endommagé, s'il ne fonctionne pas correctement, s'il est tombé ou endommagé, ou s'il est tombé dans l'eau. Renvoyez l'appareil à un centre de services à la clientèle pour contrôle et réparation.
7. Ne portez pas cet appareil par son câble d'alimentation ou n'utilisez pas le câble comme poignée.
8. Tenez le câble d'alimentation à l'écart de toute surface chauffante.
9. Ne mettez pas l'appareil en marche si les orifices prévus pour l'arrivée d'air sont obstrués. Veillez à ce que les ouvertures d'aération ne soient pas obstruées par des peluches, des cheveux, etc.
10. Ne jetez ni n'introduisez jamais des objets dans les orifices.
11. N'utilisez pas l'appareil à l'extérieur.
12. N'utilisez pas l'appareil dans des endroits où des produits en aérosol (vaporisateurs) sont utilisés ou dans lesquels de l'oxygène est utilisé.
13. Pour le débrancher, mettez toutes les commandes en position d'arrêt, puis retirez la fiche de la prise.

- NE laissez JAMAIS des enfants ou des animaux domestiques jouer sur le tapis ou autour lorsqu'il est utilisé, pour éviter qu'ils ne soient blessés par des pièces en mouvement.
- Réglez TOUJOURS le tapis à votre morphologie.
- N'utilisez JAMAIS le tapis roulant Echelon® Stride 6s lorsque vous êtes malade ou fatigué.
- Veillez TOUJOURS à vous échauffer avant de commencer l'exercice.
- Vérifiez TOUJOURS que vous avez une bouteille d'eau d'une contenance de 12 oz. et une serviette à portée de main pour nettoyer la sueur libérée par votre corps et les barres d'appui.
- NE démarrez JAMAIS le tapis roulant lorsque vous trouvez sur la bande de roulement. Après avoir mis le courant et ajusté le bouton de réglage de vitesse, la bande de roulement peut parfois attendre un certain délai avant de commencer à bouger. Tenez-vous toujours aux barres de maintien placées de chaque côté du châssis jusqu'à ce que la bande commence à bouger.
- Tenez TOUJOURS les barres de maintien lorsque vous marchez ou courez sur le tapis roulant jusqu'à ce que vous soyez familiarisé avec l'utilisation du tapis de course.
- Évitez IMPÉRATIVEMENT de vous appuyer ou de grimper sur les barres d'appui.
- Portez TOUJOURS des vêtements et des chaussures appropriés qui couvrent complètement vos pieds. Évitez de porter des vêtements amples ou qui pendent lorsque vous utilisez le tapis de course. Si vous avez des cheveux longs, ils doivent être attachés. Veillez à ce que les lacets soient bien rentrés dans vos chaussures.
- Tenez TOUJOURS vos mains à distance des parties en mouvement et assurez-vous que vos mains sont placées sur les guidons prévus à cet effet pendant l'utilisation.
- NE saisissez JAMAIS le tapis roulant lorsque la planche de course n'est PAS pliée.
- Ne vous suspendez JAMAIS à la barre d'appui afin de ne pas endommager la machine et vous blesser lorsque vous l'utilisez.



INSTRUCTIONS DE MISE À LA TERRE

Cet appareil doit être relié à la terre. En cas de panne ou de dysfonctionnement, la mise à la terre permet une moindre résistance pour le courant électrique afin de limiter le risque d'électrocution. Cet appareil est livré avec un câble muni d'un conducteur de mise à la terre et d'une fiche de mise à la terre. La fiche doit être branchée sur une prise de courant appropriée qui est installée et reliée à la terre conformément à toutes les normes locales.

Les logements sont généralement équipés de deux types de prises de courant : Avec disjoncteur de fuite de terre ou détecteur d'arc électrique. En cas de danger lié au câblage, les prises sont programmées pour se déclencher. C'est la raison pour laquelle les tapis roulants et les autres appareils ont des interactions limitées avec les prises avec disjoncteur de fuite de terre ou avec disjoncteur anti-arcs.

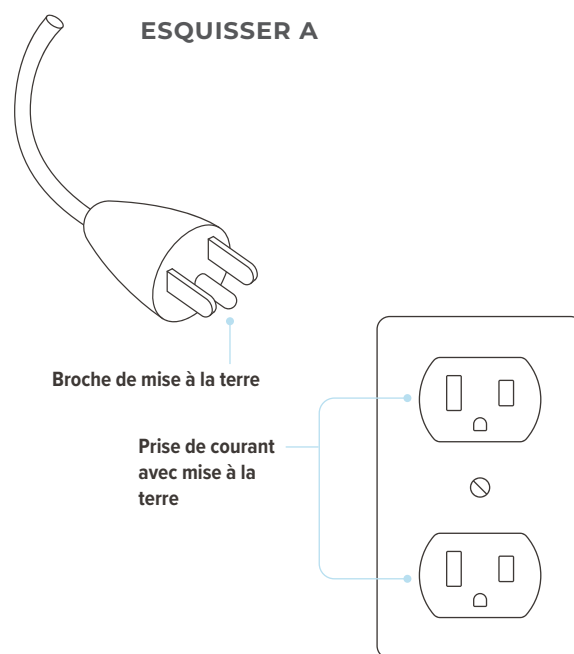
Les prises avec disjoncteur de fuite de terre sont souvent installées dans les salles de bain ou les cuisines. Elles sont reconnaissables à la présence d'un interrupteur de réenclenchement rouge ou blanc qui est situé sur l'avant de la prise. La prise avec disjoncteur de fuite de terre déclenchera le disjoncteur lorsqu'une quantité d'électricité excessive traverse le port de groupe. Il n'est pas spécialement conseillé d'utiliser une prise avec disjoncteur de fuite de terre pour alimenter la machine, sachant que les tapis roulants et les autres appareils utilisent la broche de mise à la terre. Il est recommandé de brancher l'appareil dans un autre type de prise qui empêchera la machine de s'arrêter en permanence. Remarque importante : Les prises avec disjoncteur de fuite de terre peuvent être raccordées à d'autres prises (même si elles n'appartiennent pas à ce type particulier). Il est également recommandé de placer l'appareil dans un endroit qui n'est relié électriquement. Évitez de brancher votre appareil sur des dispositifs de protection contre les surintensités ou d'autres types d'appareils. Il est recommandé de raccorder l'appareil à un circuit dédié.

Les arcs électriques sont détectés par les prises dotées d'un disjoncteur anti-arcs et visent à perturber et à annuler le flux de courant électrique. C'est pourquoi les tapis roulants et les autres appareils pourraient s'arrêter s'ils sont branchés sur des prises de ce type. Les normes de construction récentes imposent toutefois d'utiliser des prises avec disjoncteur anti-arcs en cas de problèmes récurrents. Voici quelques-unes des solutions recommandées : Faire appel à un électricien ou changer le type de prise.

DANGER:

Une connexion incorrecte du conducteur de mise à la terre de l'équipement peut entraîner un risque de décharge électrique. Vérifiez auprès d'un électricien ou d'un technicien qualifié si vous avez des doutes quant à la mise à la terre correcte du produit. Ne modifiez pas la fiche fournie avec le produit. Si elle ne s'adapte pas à la prise, faites installer une prise appropriée par un électricien qualifié.

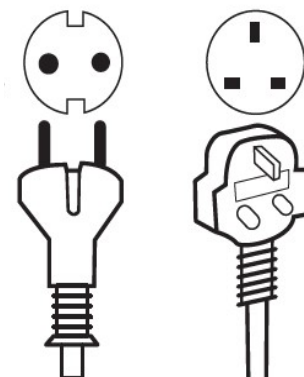
Pour une utilisation aux États-Unis, les produits sont conçus pour fonctionner sur un circuit nominal de 120 V et disposent d'une prise de terre qui ressemble à la prise illustrée dans le schéma A. Pour une utilisation dans l'UE et au Royaume-Uni, les produits sont conçus pour fonctionner sur un circuit nominal de 220 V et disposent d'une prise de terre qui ressemble à la prise illustrée dans le schéma B. Assurez-vous que le produit est connecté à une prise ayant la même configuration que la prise. Aucun adaptateur ne doit être utilisé avec ce produit.



ESQUISSE B

**Tension standard
EURO/UK**
220 - 240 VAC

**Fréquence standard
EURO/UK**
50 HZ



CARACTÉRISTIQUES TECHNIQUES DU TAPIS ROULANT

INFORMATIONS TECHNIQUES:

Poids max. utilisateur : 330 lbs
 Dimension du tapis assemblé : 5,4 x 2,7 x 4,75 pouces
 Surface de course : 20" x 60"
 Vitesse : 0,5-12,4 mi/h // Inclinaison : 0-12 %





ASSEMBLAGE DU TAPIS ROULANT

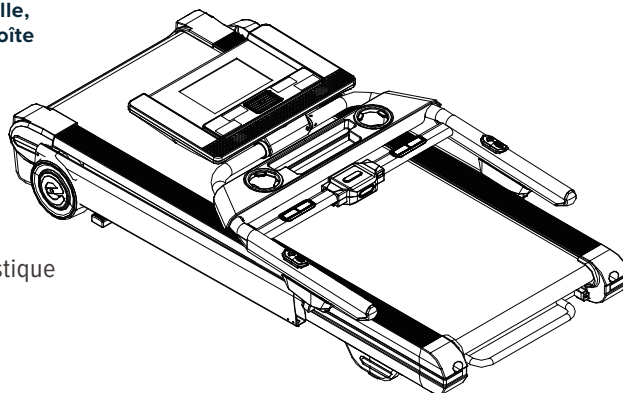
ÉTAPE

1

L'assemblage doit avoir lieu sur une surface molle, telle qu'une moquette ou un tapis, ou avec la boîte en carton ouverte pour protéger le sol.

Retirez l'appareil et l'écran du carton. Posez-le à plat sur le sol.

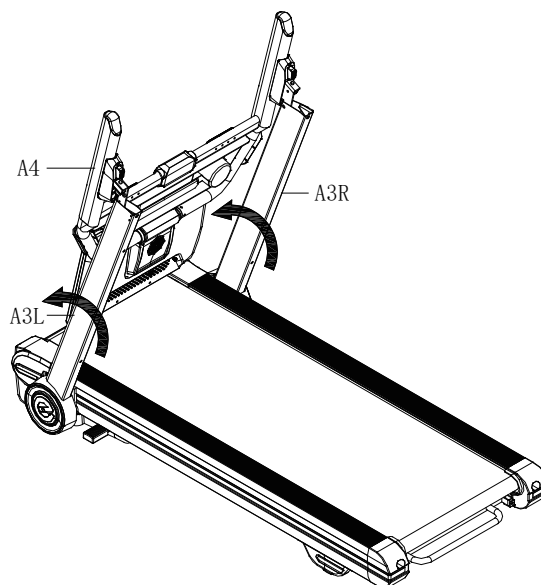
Remarque : Veillez à enlever le plastique autour des roues de transport avant de sortir le tapis du carton d'emballage. Le plastique pourrait se coincer dans les roues et sera difficile à enlever.



ÉTAPE

2

Soulevez la barre d'appui et poussez le montant gauche/droit A3L/A3R vers l'avant jusqu'à ce que vous entendiez un déclic indiquant qu'il est verrouillé.

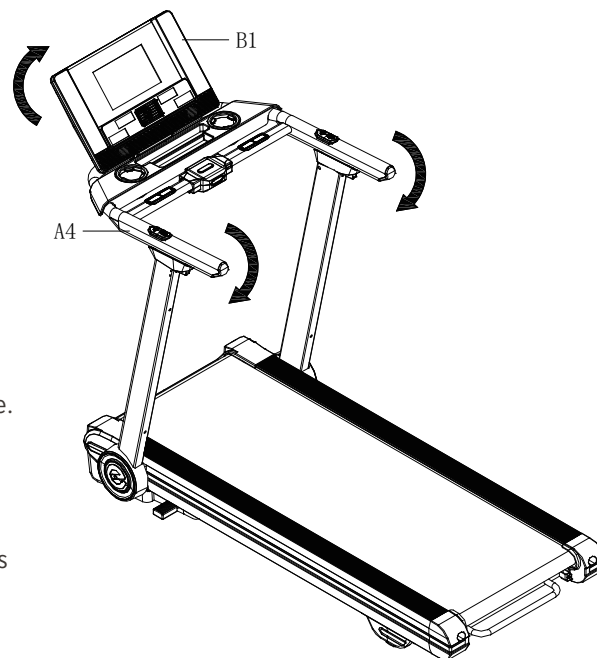


ÉTAPE 3

Relevez A4 et poussez-le vers le bas jusqu'à ce que vous entendiez un déclic indiquant que la barre d'appui est verrouillée.

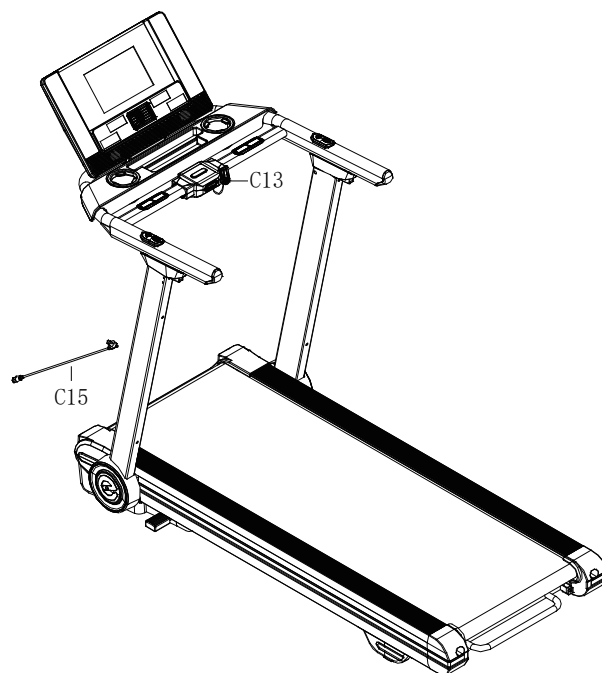
Pivotez la console B1 et réglez l'inclinaison vers l'avant en fonction de l'utilisation prévue.

Remarque : La console est réglée au moyen d'un système de verrouillage automatique (avec le tapis roulant éteint). Placez vos mains de chaque côté de la console pour régler et poussez vers l'avant ou tirez vers l'arrière pour la régler.



ÉTAPE 4

Raccordez au cordon d'alimentation C15 et la clé de sécurité C13 pour démarrer la séance d'entraînement.

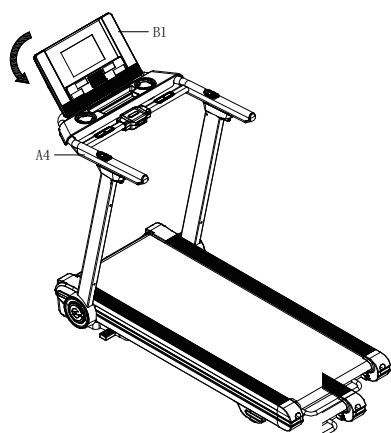


CONSIGNES POUR PLIER

ÉTAPE 1

1

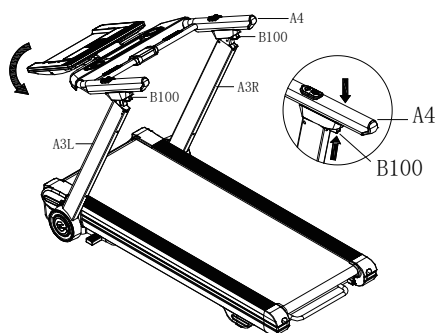
Pivotez la console B1 vers l'arrière de sorte qu'elle soit parallèle aux barres d'appui A4.



ÉTAPE 2

2

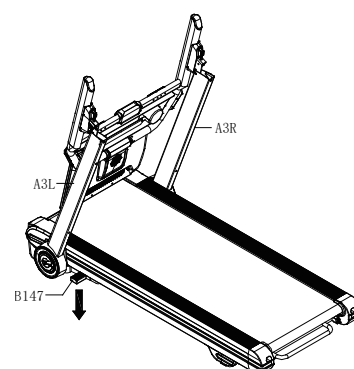
Appuyez sur le bouton situé sous A4 sur la barre d'appui pour relever et reculer jusqu'à ce que vous entendiez un dé clic indiquant que la barre est bloquée et alignée avec les montants.



ÉTAPE 3

3

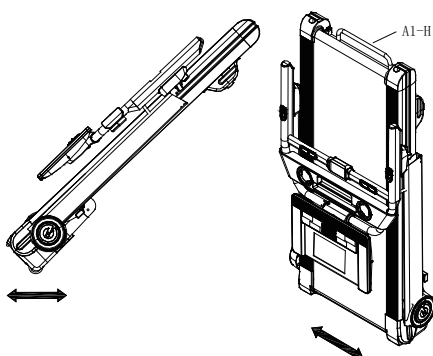
Appuyez sur le levier en forme de rectangle B147 pour lancer la procédure de pliage automatique. Une fois terminé, les montants et la console viendront se poser sur la planche de course.



ÉTAPE 4

4

Pour le transport, relevez sur le tapis roulant à partir de l'arrière de sorte que le côté le plus lourd soit au plus près du sol.

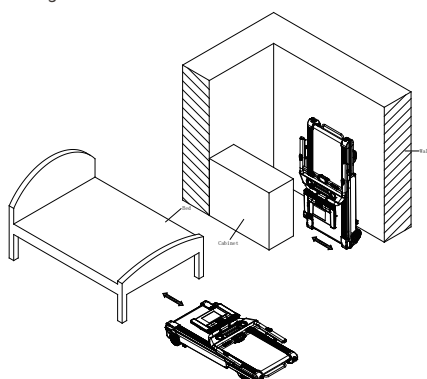


ÉTAPE 5

5

Rangement recommandé : Placez le tapis de course à la verticale contre un mur pour le ranger ou placez-le sous un lit afin de gagner l'espace.

La hauteur du tapis roulant placé à l'horizontale est de 26 cm (10,25 po). Si vous avez moins de 10,25 po (26 cm) sous votre lit, utilisez l'espace vertical dans votre logement.



LORSQUE VOUS RANGEZ LE TAPIS DE COURSE À LA VERTICALE, VEUILLEZ INSTALLER LES SANGLES DE SÉCURITÉ SUR LE MUR POUR FIXER LE TAPIS ET ÉVITER QU'IL NE BASCULE.

Utilisez les fixations et les vis fournies pour installer les sangles de sécurité. Pour les murs en béton, percez deux trous pilotes de 0,315 po (8 mm) avec une profondeur de 1,6 po (40 mm), à une distance de 32 po (81 cm) et 47,2 po (120 cm) au-dessus du sol.

REMARQUE : Pour les murs en bois, placez deux chevilles murales à une distance de 32 po (81 cm) et percez deux trous pilotes. Vissez les vis dans les trous sans les fixations.

UTILISATION DU PRODUIT



Activation de l'abonnement requise pour débloquer le tapis de course Echelon Stride-6s

Activez l'abonnement Echelon Premier pour vous connecter aux cours.

Vous avez normalement reçu un courriel d'activation après l'achat de ce produit.

- a. Cliquez sur le lien dans le courriel.
- b. Sélectionnez « **S'abonner maintenant** » et suivez les instructions pour terminer la procédure d'activation de votre abonnement.

Connexion à l'application Echelon Fit®

1. Assurez-vous que votre tapis de course et votre écran sont sous tension.

- a. Le cordon d'alimentation doit être branché sur le mur et sur la base du tapis de course.
- b. Basculez l'interrupteur d'alimentation à côté de la prise du tapis de course. L'interrupteur d'alimentation s'allume en rouge lorsqu'il est en position ON.
- c. L'écran prendra quelques minutes pour s'allumer complètement et être prêt pour la connexion.

2. Application Echelon Fit®.

- a. Utilisez le courriel et le mot de passe utilisés pour créer votre compte de membre.
- b. Sélectionnez l'utilisateur (il peut n'y avoir qu'une seule option).

3. Select a class.

- a. Nous recommandons un tour de bienvenue, mais n'importe quelle classe fonctionnera.
- b. Appuyez sur Play (Lecture).

PLAGE DE DONNÉES D'EXERCICE

Plage d'affichage :

Vitesse

0.5 mph – 12.4 mi/h

Distance

0 - 99 miles (0 - 99 kilomètres)

Temps

0:00 – 99:59

Inclinaison

Niveaux 0–12

Calories

0 Kcal – 9999 Kcal

POULS ET DISTANCE :

La distance cumulée pendant la séance d'entraînement s'affiche lorsqu'aucune fréquence cardiaque n'est détectée. Une fois que le signal de la fréquence cardiaque est détecté, l'écran alterne toutes les 5 secondes entre la « Distance » et le « Pouls ».

TEMPS ET CALORIES :

L'écran alterne entre « vitesse » et « calories » toutes les 5 secondes. Le temps correspond à la durée de la séance d'exercice. Les calories affichées correspondent aux calories brûlées pendant la séance d'exercice.

INCLINAISON :

Unité d'inclinaison = 0-12 niveaux. Indique le niveau d'inclinaison du tapis pendant la séance.

VITESSE :

Indique la vitesse de course actuelle de l'exercice.

EXPLICATIONS DES BOUTONS DE RÉGLAGE

DÉMARRER/ARRÊT :

Lorsque le tapis roulant n'est pas activé (arrêté ou mis en pause), appuyez sur le bouton "START/STOP" pour commencer à courir après un compte-à-rebours de 3 secondes. Lorsque le tapis est activé, appuyez une fois sur le bouton "START/STOP" pour arrêter l'exercice temporairement (Pause). La vitesse est remise à zéro et l'inclinaison s'arrête au niveau actuel. Lorsque le tapis est en « mode Pause », appuyez sur le bouton « Pause/ STOP » pour terminer l'exercice.

QUICK SPEED :

Le mode Quick Speed possède 10 boutons : 3 mi/h, 4 mi/h, 5 mi/h, 6 mi/h, 7 mi/h, 8 mi/h, 9 mi/h, 10 mi/h, 11 mi/h et 12 mi/h.

QUICK INCLINE :

Le mode Quick Incline possède 10 boutons : niveau 1, niveau 2, niveau 3, niveau 4, niveau 5, niveau 6, niveau 7, niveau 8, niveau 9 et niveau 10.

BARRE D'APPUI GAUCHE :

Pour alterner entre les fonctions inclinaison et volume, appuyez sur le bouton situé devant la molette.

1. Réglage de l'inclinaison (la diode du bouton est bleue)
 - a. Faites tourner la roue vers l'avant pour augmenter l'inclinaison.
 - b. Faites tourner la roue vers l'arrière pour réduire l'inclinaison.
2. Réglage du volume (la diode du bouton est verte)
 - a. Faites tourner la roue vers l'avant pour augmenter le volume.
 - b. Faites tourner la roue vers l'arrière pour baisser le volume.

BARRE D'APPUI DROITE :

Pour alterner entre le réglage de la vitesse 0,1 et 1,0, appuyez sur le bouton situé devant la molette.

1. Réglage de l'inclinaison de 0,1 (la diode du bouton est bleue)
 - a. Tournez la molette vers l'avant pour augmenter la vitesse de 0,1.
 - b. Tournez la molette vers l'arrière pour baisser la vitesse de 0,1.
2. Réglage de l'inclinaison de 1,0 (la diode du bouton est verte)
 - a. Tournez la molette vers l'avant pour augmenter la vitesse de 1.
 - b. Tournez la molette vers l'arrière pour baisser la vitesse de 1.

VENTILATEUR :

Appuyez sur le bouton "ON" pour mettre en route le ventilateur. Appuyez sur le bouton "OFF" pour éteindre le ventilateur.

CARACTÉRISTIQUES ET FONCTIONS DU PRODUIT

Lorsque le tapis est sous tension, l'écran s'allume pendant 2 secondes sur toutes les fenêtres et passe en mode veille. Le cadran de la vitesse affiche la version du micrologiciel pendant 2 secondes avant d'activer le mode veille.

Pour activer le Mode manuel, insérez la clé de sécurité dans la bonne position, puis appuyez sur le bouton "START/STOP". La console lance le compte-à-rebours de 3 secondes et la bande commence à se mettre en mouvement à la vitesse la plus faible, 0,5 mi/h (0,8 km/h). Pour régler la vitesse ou l'inclinaison, appuyez sur le bouton Quick Wheel pour la vitesse, "Wheel Quick Button Incline", "Quick Speed" et "Quick Incline". Pour terminer la session, appuyez sur « Stop » ou retirez complètement la clé de sécurité.

POULS :

Pour détecter le pouls, veuillez vous munir d'un capteur de fréquence cardiaque. Le cadran du pouls affiche la valeur de la fréquence cardiaque. IMPORTANT : La valeur du pouls détectée n'est en aucun cas destinée à être à des fins médicales.

MODE VEILLE :

La console se met en veille lorsqu'aucune fonction n'est utilisée pendant plus de 10 minutes. Appuyez sur n'importe quel bouton pour allumer la console et commencer l'exercice. L'écran tactile restera allumé lorsque le tapis est en veille.

CLÉ DE SÉCURITÉ :

Toutes les données s'effacent une fois la clé de sécurité retirée et tous les cadrans affichent "---". Toutes les fonctions ne sont disponibles que si la clé de sécurité est correctement insérée. Veuillez à attacher la lanière de la clé de sécurité à la partie la plus ferme de vos vêtements lorsque vous utilisez le tapis roulant.

CHARGEUR USB :

La console est dotée d'un chargeur USB de 5 V et d'une puissance de 2 A. Le port est du type USB-A. Branchez le câble d'alimentation et reliez-le à votre téléphone pour le recharger.

CONNEXION AUDIO BLUETOOTH :

Connectez un appareil audio Bluetooth au tapis roulant pour amplifier votre musique ou votre audio.

RÉGLAGE DE LA BANDE DE ROULEMENT

1. Dérapage droit

- Retirez la clé de sécurité et débranchez l'alimentation.
- Tournez le boulon de réglage droit d'un quart de tour dans le sens des aiguilles. Réinsérez la clé de sécurité et branchez l'alimentation.
- Mettez le tapis roulant en route (3-4 mi/h/6-8 km/h) et observez.
- Répétez les étapes a à c ci-dessus jusqu'à ce que la bande de roulement soit centrée.

2. Dérapage gauche

- Retirez la clé de sécurité et débranchez l'alimentation.
- Tournez le boulon de réglage gauche d'un quart de tour dans le sens des aiguilles. Réinsérez la clé de sécurité et branchez l'alimentation.
- Mettez le tapis roulant en route (3-4 mi/h/6-8 km/h) et observez.
- Répétez les étapes a à c ci-dessus jusqu'à ce que la bande de roulement soit centrée.

3. Serrer la bande de roulement

- Retirez la clé de sécurité et débranchez l'alimentation.
- Tournez les boulons de réglage gauche et droit d'un quart de tour dans le sens des aiguilles. Réinsérez la clé de sécurité et branchez l'alimentation.
- Mettez le tapis roulant (3-4 mi/h/6-8 km/h) et montez sur la planche de course pour vérifier sa tension.
- Répétez les étapes a à c ci-dessus jusqu'à ce que la bande de roulement soit moyennement tendue.



LUBRIFICATION DE LA BANDE DE ROULEMENT

Le tapis Echelon Stride-6s doit être graissé dans le cadre de la maintenance régulière selon le calendrier recommandé ci-dessous.

Utilisation occasionnelle	Utilisation moyenne	Utilisation régulière
Tous les 60 jours	Tous les 45 jours	Tous les 30 jours

- Il est recommandé de lubrifier la planche de course en respectant les intervalles recommandés pour optimiser la durée de vie de votre tapis de course.
- La garantie pourrait être annulée si la planche n'est pas régulièrement lubrifiée.
- Il est recommandé d'inspecter l'espace entre la bande de roulement et la planche tous les 2 mois afin de vérifier que de la graisse est bien présente.

- Éteignez le tapis de course et débranchez le cordon d'alimentation.
- Desserrez les boulons de réglage arrière avec une clé Allen (B) en tournant 5 à 10 fois dans le sens inverse des aiguilles.
- Soulevez la bande de roulement et appliquez de l'huile silicone en zigzag sur toute la surface de la planche de course. Utilisez un demi-flacon d'huile silicone. N'appliquez PAS l'huile silicone sur le dessus de la bande.
- Posez la bande de roulement bien à plat et serrez les boulons de réglage arrière dans le sens des aiguilles en tournant le même nombre de fois qu'à l'étape 2.
- Une fois le lubrifiant appliqué, branchez le cordon d'alimentation, insérez la clé de sécurité et allumez le tapis de course.



ENTRETIEN

Tous les jours

1. Éteignez le tapis de course et nettoyez les parties les plus utilisées, comme les barres de maintien et la console avec un nettoyant non-acide (sans ammonium, ni chlore ou alcool) et un chiffon doux. Ne pulvérisez pas directement la solution de nettoyage sur le tapis roulant afin de ne pas endommager les composants électriques.
2. Vérifiez l'état du câble d'alimentation. Veuillez le remplacer immédiatement s'il est endommagé en contactant le service clientèle.
Remarque : Lorsque le tapis n'est pas utilisé, débranchez et rangez le câble d'alimentation électrique dans un endroit sûr et sec, hors de portée des enfants.
3. La clé de sécurité doit être retirée après chaque utilisation afin que le tapis de course ne soit pas mis en route accidentellement lorsqu'il n'est pas utilisé.
4. Soyez attentif à tout bruit pouvant indiquer un problème potentiel. En cas de bruit anormal, veuillez communiquer avec le service à la clientèle.

Chaque semaine

1. Nettoyez la bande de roulement, la console, les montants et le cache de protection du moteur avec des nettoyants non corrosifs et un chiffon doux. Les nettoyants doivent être appliqués sur le tissu et ne doivent jamais être pulvérisés directement sur l'appareil.
2. Inspectez tous les éléments assemblés et préassemblés et serrez-les ou remettez-les en place au besoin. Cela comprend sans toutefois s'y limiter :
 - c. Barres d'appui et montants
 - d. Console
 - e. Bande de roulement
6. Aspirez le tapis roulant et la zone située autour. Pour nettoyer le dessous du tapis, débranchez-le de la prise de courant et déplacez-le dans un autre endroit. Remettez le tapis de course à sa place après l'avoir nettoyé.
7. Vérifiez que votre application et le micrologiciel de l'appareil sont à jour.
8. Vérifiez la tension de la bande, car le tapis de course pourrait recevoir des données erronées pour le calcul des mesures si la bande n'est pas correctement tendue. Au moment de régler la tension, veuillez à ajuster les deux côtés du rouleau arrière de la même manière avec la clé Allen fournie, en tournant dans le sens des aiguilles pour tendre la bande de roulement. Vérifiez que l'espace ne dépasse pas 2 à 3 pouces au moment de soulever la bande. Évitez de serrer les rouleaux de la bande en tournant 10 fois au maximum afin de ne pas endommager les composants du tapis. Si vous pensez être allé trop loin, tournez dans le sens inverse afin de corriger une éventuelle surtension. Le problème n'est toujours pas résolu, veuillez vous référer aux instructions pour la lubrification de la bande ou appeler notre service à la clientèle si vous avez besoin d'aide.



Chaque mois

1. C1. Vérifiez l'alignement de la bande de roulement du tapis en vous assurant qu'elle est centrée et qu'elle glisse correctement sur la planche de course. Suivez les instructions figurant dans le manuel de l'utilisateur pour recentrer la bande afin de résoudre le problème. Reportez-vous à la page 39 pour les instructions concernant le réglage de la bande.
2. Démarrez le tapis roulant à une vitesse faible et effectuez un essai afin de vérifier que la bande ne glisse pas de sorte que le moteur applique le couple approprié.
3. Veuillez arrêter d'utiliser le tapis roulant et communiquez avec le service à la clientèle pour obtenir de l'aide si vous constatez des frottements, si la bande du tapis n'est pas centrée ou si la planche de course est endommagée.

Service clientèle d'Echelon Fitness :

(833) 937-2453 USA

+49 40 52592884 UK

✉ cs@echelonfit.com

CODES D'ERREUR ET DÉPANNAGE

CODE D'ERREUR	PROBLÈMES	SOLUTIONS
E00	Aucun signal de la clé de sécurité de la carte de contrôle inférieure n'est détecté	<ol style="list-style-type: none"> Vérifiez si le câble de la clé de sécurité est relié à la carte de contrôle inférieure. Remplacez-le un câble neuf.
E01	Échec de la connexion entre le « circuit imprimé » et la « carte de contrôle inférieure »	<ol style="list-style-type: none"> Vérifiez que tous les fils sont bien branchés entre le circuit imprimé et la carte de contrôle. Vérifiez si des fils sont abîmés. Vérifiez si le circuit imprimé ou la carte de contrôle inférieure est en bon état. Si une puce est endommagée, remplacez le circuit imprimé ou la carte de contrôle inférieure.
E02	Protection contre les surcharges	<ol style="list-style-type: none"> Vérifiez si la prise de courant possède une tension faible. Le cas échéant, changez de prise. Vérifiez si la carte de contrôle inférieure dégage une mauvaise odeur. Si c'est le cas, changez-la. Vérifiez si les fils reliés au moteur sont bien branchés.
E03	Le capteur de vitesse n'émet aucun signal	<ol style="list-style-type: none"> Vérifiez si le fil du capteur de vitesse est bien branché. Vérifiez si le fil du capteur de vitesse est endommagé. Si c'est le cas, remplacez le fil et le capteur de vitesse.
E04	Dommage sur le moteur d'inclinaison	<p>Réaliser le calibrage de l'inclinaison</p> <ol style="list-style-type: none"> Retirez la clé de sécurité. Appuyez sur les boutons « Start » et « Stop » pendant plus de 3 secondes. Une fois l'inclinaison calibrée, testez de nouveau le tapis de course en l'allumant puis en appuyant sur le bouton « Start ».
E05	Protection contre les surcharges	<ol style="list-style-type: none"> Vérifiez si des pièces du moteur sont bloquées. Débranchez le câble d'alimentation et réglez le moteur. Rebranchez le câble d'alimentation et redémarrez pour mettre le tapis en route. Vérifiez si le moteur dégage une odeur de brûlé. Si c'est le cas, changez le moteur. Vérifiez si la carte de contrôle inférieure dégage une odeur de brûlé. Si c'est le cas, changez-la. Vérifiez si la prise de courant possède une tension faible. Le cas échéant, changez de prise.
E06	Auto-vérification de l'erreur sur le contrôleur	<ol style="list-style-type: none"> Vérifiez si les fils du moteur sont correctement branchés et en bon état. Vérifiez si le transistor bipolaire à grille isolée sur la carte de contrôle inférieure dégage une odeur de brûlé. Si c'est le cas, changez-la. Vérifiez si le circuit imprimé est en bon état.
E07	Paramètre perdu	Remplacez la carte de contrôle inférieure.
E08	Mémoire EEPROM endommagée (sur la carte de contrôle inférieure)	Remplacer la carte de contrôle inférieure.
E09	Tension erronée ou surchauffe du module d'alimentation intelligent	Remplacer la carte de contrôle inférieure.
EEP	Mémoire EEPROM endommagée (sur la carte de contrôle supérieure)	Remplacez le tableau de bord (la carte de contrôle supérieure est assemblée avec le tableau de bord).
NO CODE SHOWN	Moteur endommagé ou circuit de moteur endommagé	<ol style="list-style-type: none"> Vérifiez si les fils reliés au moteur sont bien branchés. Vérifiez si le fusible de la carte de contrôle inférieure est endommagé. Si c'est le cas, remplacez-la par une carte neuve. Vérifiez si le transistor bipolaire à grille isolée sur la carte de contrôle inférieure fonctionne en utilisant le multimètre. Si c'est le cas, changez-la.

eechelon™

Who's working out today?



Christopher



Dick



Jenn



Shelly



Karen



Sign Out

00



0:00

Questions ou doutes

Nos membres sont notre priorité! Si vous avez des questions ou des doutes, veuillez contacter notre service clientèle.

☎ (833) 937-2453 USA
+49 40 52592884 UK

✉ cs@echelonfit.com

Envoyer une demande :



Informations de garantie

Votre tapis roulant Echelon Stride 6s est livré avec une garantie d'un (1) an sur les pièces et la main-d'œuvre. En cas de besoin, il vous suffit de présenter la preuve d'achat et notre équipe du service à la clientèle se fera un plaisir de vous aider.

Des garanties prolongées supplémentaires de 1 ou 2 ans sont disponibles auprès du service à la clientèle.



23

A series of horizontal lines spanning most of the page width, intended for handwritten notes.



MODELE: ECH-STRIDE-6s

ECHELON FITNESS MULTIMEDIA, LLC
605 CHESTNUT STREET, SUITE 700
CHATTANOOGA, TN 37450

EHELONFIT.COM

MODELE: ECH-STRIDE-6s

ECHELON FITNESS MULTIMEDIA, LLC.
27 OLD GLOUCESTER STREET
LONDON, UNITED KINGDOM, WC1N 3AX

EHELONFIT.UK



VEUILLEZ LIRE LE MODE D'EMPLOI
AVANT D'UTILISER L'APPAREIL

FABRIQUÉ
EN CHINE

BREVET EN
INSTANCE

REV: 12082024

eechelon[®]
STRIDE-6s



BIENVENIDA

¡Soy Lou Lentine, fundador de Echelon, y me gustaría darle la bienvenida a la comunidad de Echelon. Ha tomado una gran decisión para usted y su familia. La Experiencia Echelon es una innovadora combinación de productos de acondicionamiento físico integrados con nuestra aplicación Echelon Fit® de última generación. Este nuevo estilo de vida fitness conecta a su familia, amigos, la comunidad de Echelon y los instructores de Echelon para ayudarlo con sus objetivos de fitness. Gracias a miles de clases en vivo y a pedido, sin importar sus horarios o experiencia, siempre hay una clase nueva y estimulante a la que puede unirse.

Celebramos la decisión de unirse a nuestra familia Echelon en la búsqueda de un estilo de vida más saludable. Estamos comprometidos a continuar diseñando productos de fitness innovadores y de clase mundial para mejorar la calidad de vida mediante experiencias de entrenamiento que permiten un estilo de vida activo más accesible y sostenible.

¡Le agradecemos nuevamente por elegir Echelon y esperamos verlo en la próxima clase en vivo!

Un cordial saludo,



Lou Lentine

Fundador de Echelon Fitness
Multimedia, LLC



ÍNDICE

»		INFORMACIÓN DE SEGURIDAD	52
»		INSTRUCCIONES PARA LA CONEXIÓN A TIERRA	55
»		CARACTERÍSTICAS DE LA CAMINADORA	56
»		MONTAJE	57
»		USO DEL PRODUCTO	60
»		CUIDADO Y MANTENIMIENTO	64
»		SOLUCIÓN DE PROBLEMAS Y CÓDIGOS DE ERROR	65
»		NOTAS	68



DECLARACIÓN DE LA COMISIÓN FEDERAL DE COMUNICACIONES (FCC)

15.21

Se le advierte que los cambios o las modificaciones no aprobados expresamente por la parte responsable del cumplimiento podrían anular la autoridad del usuario para utilizar la máquina.

15.105(B)

Esta máquina ha sido probada y cumple con los límites de un dispositivo digital de Clase B de acuerdo con la sección 15 de las normas de la FCC. Estos límites están diseñados para proporcionar una protección razonable contra interferencias dañinas en una instalación residencial. Esta máquina genera, utiliza y puede irradiar energía de radiofrecuencia y, si no se instala y utiliza de acuerdo con las instrucciones, puede causar interferencias dañinas en las comunicaciones por radio. Sin embargo, no se puede garantizar que no se produzcan interferencias en una instalación en particular.

Si esta máquina causa interferencia dañina en la recepción de radio o televisión, lo que se puede determinar encendiendo y apagando la máquina, se recomienda al usuario que intente eliminar la interferencia a través de una o más de las siguientes medidas:

- Reorientar o reubicar la antena de recepción.
- Aumentar la separación entre el equipo y el receptor.
- Conectar el equipo a una toma de corriente en un circuito diferente al que está conectado el receptor.

Consultar con el distribuidor o con un técnico de radio y televisión con experiencia.

DECLARACIÓN DE LA FCC SOBRE LA EXPOSICIÓN A LA RADIACIÓN DE RADIOFRECUENCIA:

1. Este transmisor no debe colocarse ni operarse en conjunto con ninguna antena o transmisor.
2. Esta máquina cumple con los límites de exposición a la radiación de radiofrecuencia establecidos para un entorno no controlado. Esta máquina debe instalarse y utilizarse con una distancia mínima de 20 cm entre el radiador y el cuerpo.

ESTE DISPOSITIVO CUMPLE CON LA SECCIÓN 15 DE LAS NORMAS DE LA FCC. LA OPERACIÓN ESTÁ SUJETA A LAS SIGUIENTES DOS CONDICIONES:

1. Este dispositivo no debería causar interferencias dañinas.
2. Este dispositivo debe aceptar cualquier interferencia recibida, incluidas las interferencias que puedan causar una operación no deseada.

INNOVACIÓN, CIENCIA Y DESARROLLO ECONÓMICO CANADÁ (ISED) INNOVATION, SCIENCE ET DÉVELOPPEMENT ÉCONOMIQUE CANADA (ISED)

ESTE DISPOSITIVO DIGITAL DE CLASE B CUMPLE CON LA NORMA CANADIENSE ICES-003.

CET APPAREIL NUMÉRIQUE DE CLASSE B EST CONFORME À LA NORME NMB-003.

AVISO DE CANADÁ

Este dispositivo cumple con los estándares de la especificación de normas de radio (RSS, por su sigla en inglés) exentos de licencia de ISED. La operación está sujeta a las siguientes dos condiciones:

1. Este dispositivo no debería causar interferencias.
2. Este dispositivo debe aceptar cualquier interferencia, incluidas las interferencias que puedan causar una operación no deseada del dispositivo.

AVIS CANADIEN

Le présent appareil est conforme aux CNR d'ISED applicables aux appareils radio exempts de licence. L'exploitation est autorisée aux deux conditions suivantes :

1. L'appareil ne doit pas produire de brouillage, et
2. L'utilisateur de l'appareil doit accepter tout brouillage radioélectrique subi, même si le brouillage est susceptible d'en compromettre le fonctionnement.

PRECAUCIÓN: EXPOSICIÓN A LA RADIACIÓN DE RADIOFRECUENCIA

1. Para cumplir con los requisitos de cumplimiento de exposición a la radiofrecuencia de Canadá, este dispositivo y la antena no deben ubicarse ni operarse en conjunto con ninguna otra antena o transmisor.
2. Para cumplir con los requisitos de cumplimiento de exposición a la radiofrecuencia de RSS 102, se debe mantener una distancia de separación de al menos 20 cm entre la antena del dispositivo y las personas.

ATTENTION: EXPOSITION AU RAYONNEMENT RADIOFRÉQUENCE

1. Pour se conformer aux exigences de conformité RF canadienne l'exposition, cet appareil et son antenne ne doivent pas être co-localisés ou fonctionnant en conjonction avec une autre antenne ou transmetteur.
2. Pour se conformer aux exigences de conformité CNR 102 RF exposition, une distance de séparation d'au moins 20 cm doit être maintenue entre l'antenne de cet appareil et toutes les personnes.

ETIQUETAS DE ADVERTENCIA



▲ WARNING AVERTISSEMENT ADVERTENCIA		
<p>KEEP CHILDREN AWAY FROM MACHINE</p> <p>Risk of serious injury or death may occur if caution is not used. Read and follow all warnings and instructions. For consumer equipment, ensure that proper instructions are obtained prior to use.</p> <p>CAUTION:</p> <p>Risk of personal injury. Keep children under the age of 13 away from machine.</p> <p>To reduce the risk of injury from moving parts, unplug before servicing.</p> <p>To reduce the risk of electric shock, unplug before cleaning or servicing.</p>	<p>TENIR LES ENFANTS A L'ÉCART DE LA MACHINE.</p> <p>Risque de blessures ou de mort si la précaution n'est pas utilisée. Avant l'utilisation, lire tous les avertissements et directives et, dans le cas d'équipement de conditionnement physique en établissement, obtenir toutes les directives appropriées.</p> <p>ATTENTION :</p> <p>Risque de blessure. Tenez les enfants de moins de 13 ans à distance de la machine.</p> <p>Pour limiter le risque de blessure liée aux pièces en mouvement, Débranchez avant de réaliser l'entretien.</p> <p>Pour limiter le risque de choc électrique, Débranchez avant de nettoyer ou de réaliser l'entretien.</p>	<p>MANTENGA A LOS NIÑOS ALEJADOS DE LA MAQUINA.</p> <p>Riesgo de lesiones graves o la muerte si no se tiene cuidado. Lea y siga todas las advertencias e instrucciones y, en el caso de equipo institucional, obtenga las instrucciones adecuadas antes de su uso.</p> <p>PRECAUCIÓN:</p> <p>Riesgo de lesiones personales. Mantenga a los niños menores de 13 años lejos de la máquina.</p> <p>Para reducir el riesgo de lesiones por piezas móviles, Desenchufa antes de reparar.</p> <p>Para reducir el riesgo de descarga eléctrica, Desenchufa antes de limpiar o reparar.</p>

INSTRUCCIONES DE SEGURIDAD IMPORTANTES

Se debe tener cuidado al montar o desmontar la caminadora. Antes del montaje o desmontaje, haga que la máquina se detenga por completo.

El fabricante recomienda colocar la caminadora Echelon® Stride 6s en un espacio donde tenga las siguientes dimensiones mínimas de espacio libre para montar y desmontar la caminadora de manera segura:

- El área de espacio libre mínimo detrás de la caminadora es de 2,0 m (78,7 pulg.) × el ancho de la caminadora. Esta área debe estar libre de cualquier obstrucción.
- El área de espacio mínimo en cada lado de la caminadora es: 500 mm (19,7 pulg.).

Cuando limpie su caminadora Echelon® Stride 6s, hágalo pasándole un trapo suave con un detergente que no sea fuerte o agua. No use líquidos químicos corrosivos que puedan dañar la cubierta.

Cuando se utiliza un dispositivo eléctrico, siempre se deben seguir precauciones básicas, que incluyen las siguientes:

Lea todas las instrucciones antes de usar la caminadora Echelon® Stride 6s.

SOLO PARA USO DOMÉSTICO.

GUARDE ESTAS INSTRUCCIONES.

PELIGRO: PARA REDUCIR EL RIESGO DE DESCARGA ELÉCTRICA:

Siempre desenchufe la máquina del tomacorriente inmediatamente después de usarla y antes de limpiarla.

ANTES de comenzar cualquier programa de fitness o fuerza, consulte con su médico o funcionario de salud. Esto asegurará que usted participe en programas de fitness o entrenamiento adecuados para su edad y condición física.

Antes de utilizar la caminadora Echelon® Stride 6s, responda estas preguntas:

- ¿Ha estado enfermo recientemente?
- ¿Ha tenido mareos prolongados recientemente?
- ¿Se ha quedado sin aliento sin ninguna razón recientemente?
- ¿Ha tenido dolor en el pecho recientemente?
- ¿Tiene actualmente alguna lesión que le impida hacer ejercicio?
- ¿Está embarazada?
- ¿Tiene alguna afección o motivo por el que NO deba hacer ejercicio?
- ¿Tiene más de 35 años y no hace actividad física?
- ¿Algún médico le ha recomendado NO hacer ejercicio?

Si responde “sí” a cualquiera de las preguntas anteriores, debe buscar más consejos de su médico antes de utilizar la caminadora Echelon® Stride 6s.

Lea el manual del usuario por completo y siga todas las instrucciones. Esto garantiza su seguridad.

- NUNCA exceda el límite de peso para esta caminadora. El límite de peso para esta caminadora es de 330 lb/150 kg. No use la Echelon® Stride 6s si su peso corporal supera las 330 lb/150 kg.
- SIEMPRE use la Echelon® Stride 6s en un terreno sólido y nivelado y en un área bien iluminada y ventilada. No coloque la caminadora sobre una alfombra gruesa, ya que puede interferir con la ventilación.
- SIEMPRE revise la caminadora en busca de desgaste o componentes sueltos antes de usarla.
- NUNCA utilice la caminadora si no está ensamblada de forma correcta o completa, o si está dañada de alguna manera.

ADVERTENCIA: PARA REDUCIR EL RIESGO DE QUEMADURAS, FUEGO, DESCARGAS ELÉCTRICAS O LESIONES A LAS PERSONAS:

1. Ninguna máquina debe dejarse desatendida cuando está enchufada. Desenchufe el cable de alimentación del tomacorriente cuando no esté en uso.
2. No utilice debajo de una manta o almohada. Se puede producir un calentamiento excesivo y provocar incendios, descargas eléctricas o lesiones personales.
3. Esta máquina no está diseñada para que la utilicen personas con capacidades físicas, sensoriales o mentales reducidas, o con falta de experiencia y conocimiento, a menos que hayan recibido supervisión o instrucciones sobre el uso de la máquina por parte de una persona responsable de su seguridad. **Mantenga a los niños menores de 13 años alejados de esta máquina.**
4. Utilice esta máquina solo para el uso previsto como se describe en este manual. No utilice accesorios no recomendados por el fabricante.
5. Conecte este aparato únicamente a un tomacorriente debidamente conectado a tierra. Consulte las instrucciones para la conexión a tierra relevantes en la página 6.
6. Nunca utilice esta máquina si tiene un cable o enchufe dañado, si no funciona correctamente, si se ha caído o dañado o se ha caído al agua. Lleve la máquina a un centro de servicio para la revisión y reparación.
7. No transporte esta máquina por el cable de alimentación ni utilice el cable como agarradera.
8. Mantenga el cable alejado de superficies calientes.
9. Nunca utilice la máquina con los orificios de ventilación bloqueados. Mantenga los orificios de ventilación libres de pelusa, cabello y objetos similares.
10. Nunca deje caer ni inserte ningún objeto en ningún orificio.
11. No utilice la máquina al aire libre.
12. No utilice la máquina donde se utilicen productos en aerosol (espray) o donde se esté administrando oxígeno.
13. Para desconectar, gire todos los controles a la posición de apagado, luego retire el enchufe del tomacorriente.

- NUNCA permita que los niños ni las mascotas jueguen en la caminadora o cerca de la máquina durante el uso. Esto ayuda a protegerlos de lesiones causadas por partes en movimiento.
- SIEMPRE configure la caminadora correctamente para su tipo de cuerpo específico.
- NUNCA use la Echelon® Stride 6s cuando esté enfermo o fatigado.
- SIEMPRE entre en calor o haga estiramientos antes de comenzar el ejercicio.
- SIEMPRE asegúrese de tener una botella con al menos 350 ml (12 oz) de agua y una toalla cerca para absorber el sudor del cuerpo y de los pasamanos.
- NUNCA encienda la caminadora mientras esté parado sobre la cinta de correr. Después de encender y ajustar el control de velocidad, puede haber una pausa antes de que la cinta de correr comience a moverse. Siempre párese en las barandas laterales de la estructura hasta que la cinta comience a moverse.
- SIEMPRE sostenga los pasamanos cuando camine o corra inicialmente en la caminadora hasta que esté familiarizado con el uso de la máquina.
- NUNCA se pare ni se suba a los pasamanos.
- SIEMPRE use vestimenta y calzado adecuados que cubran completamente los pies. No use ropa suelta o que cuelgue mientras usa la caminadora. El cabello largo debe estar atado o recogido. Asegúrese de que los cordones de los zapatos estén metidos dentro de los zapatos.
- SIEMPRE mantenga las manos alejadas de las partes en movimiento y asegúrese de colocar las manos de manera segura en el manillar durante el uso.
- NUNCA levante la caminadora si la plataforma NO está plegada.
- NUNCA se cuelgue del manillar, ya que hacerlo podría dañar la unidad y lesionar al usuario.



INSTRUCCIONES PARA LA CONEXIÓN A TIERRA

Este producto debe estar conectado a tierra. Si funciona mal o se avería, la conexión a tierra proporciona un camino de menor resistencia para la corriente eléctrica para reducir el riesgo de descarga eléctrica. Este producto está equipado con un cable que tiene un conductor y un enchufe de conexión a tierra. El enchufe debe estar conectado a un tomacorriente adecuado instalado de forma correcta y conectado a tierra de conformidad con todos los códigos y ordenanzas locales.

Hay dos tipos frecuentes de tomacorrientes domiciliarios: GFCI (interruptor de circuito de falla a tierra) y AFCI (interruptor de circuito de falla de arco). Ante un cableado peligroso, cualquiera de los tomacorrientes está programado para saltar. Debido a esto, las caminadoras y otros equipos tienen interacciones deficientes con los tomacorrientes GFCI o AFCI.

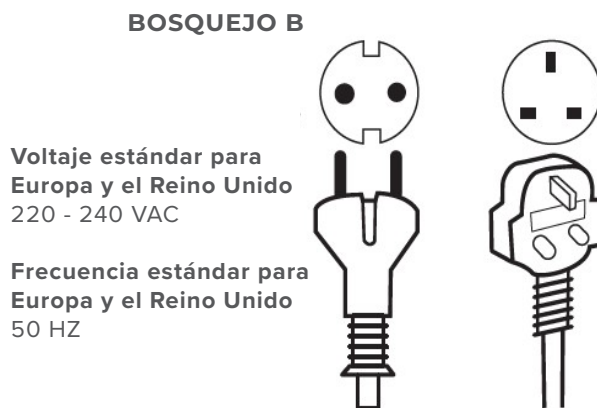
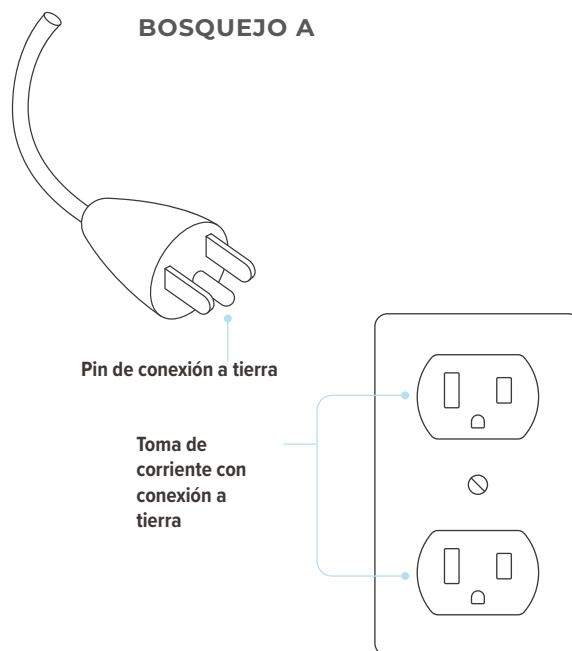
A menudo, los tomacorrientes GFCI se instalan en baños o cocinas. Estos se pueden identificar con un interruptor de reinicio rojo o blanco que está ubicado en la parte frontal del tomacorriente. Si pasa una cantidad excesiva de energía por el puerto grupal, el tomacorriente GFCI activa su disyuntor. Debido a que las caminadoras y otros equipos utilizan la clavija a tierra para dispersar la electricidad estática, no es ideal utilizar un tomacorriente GFCI para alimentar la máquina. Se recomienda que el equipo esté enchufado a un tipo diferente de tomacorriente que evite que la máquina se apague continuamente. Tenga en cuenta que los tomacorrientes GFCI se pueden conectar a otros tomacorrientes (incluso si no constituyen ese tipo específico de tomacorriente) y se recomienda llevar el equipo a un espacio que no esté conectado eléctricamente. No conecte su equipo a protectores contra sobretensión u otro tipo de unidades. Se recomienda que el equipo esté enchufado a un circuito dedicado.

Los tomacorrientes AFCI detectan los arcos eléctricos, a la vez que están diseñados para interrumpir y cancelar el flujo de electricidad. Debido a esto, las caminadoras y otros equipos probablemente tengan problemas y se apaguen si se enchufan a tomacorrientes AFCI. Los códigos de construcción más nuevos ahora exigen tomacorrientes AFCI; sin embargo, si tiene problemas persistentes, he aquí algunas soluciones recomendadas: consulte con un electricista o cambie a un tipo diferente de tomacorriente.

PELIGRO:

La conexión incorrecta del conductor de conexión a tierra del equipo puede provocar un riesgo de descarga eléctrica. Consulte con un electricista o técnico calificado si tiene dudas sobre si el producto está correctamente conectado a tierra. No modifique el enchufe que se incluye con el producto. Si no encaja en la toma de corriente, solicite a un electricista calificado que instale una toma de corriente adecuada.

Para su uso en los EE. UU., los productos están diseñados para funcionar en un circuito nominal de 120 V y tienen un enchufe de conexión a tierra que se parece al enchufe que se ilustra en el esquema A. Para su uso en la UE y el Reino Unido, los productos están diseñados para funcionar en un circuito nominal de 220 V y tienen un enchufe de conexión a tierra que se parece al enchufe que se ilustra en el esquema B. Asegúrese de que el producto esté conectado a una toma de corriente que tenga la misma configuración que el enchufe. No se debe utilizar ningún adaptador con este producto.



ESPECIFICACIONES DEL PRODUCTO

INFORMACIÓN TÉCNICA SOBRE LAS ESPECIFICACIONES DE LA CAMINADORA:

Peso máximo del usuario: 330 lb
 Dimensiones de montaje: 5,4' x 2,7' x 4,75'
 Área para correr: 20" x 60"
 Velocidad: 0,5-12.4 mph // Inclinación: 0-12 %





MONTAJE DE LA CAMINADORA

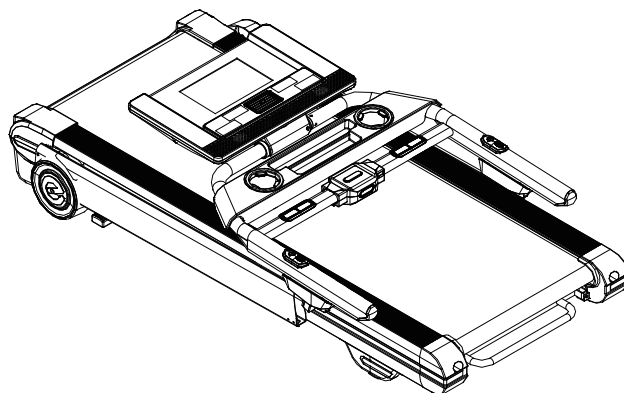
PASO

1

El montaje debe realizarse sobre una superficie blanda, como una moqueta o un tapete, o con la caja de cartón abierta para proteger el suelo.

Saque el equipo y la pantalla de la caja. Póngalo a nivel en el suelo.

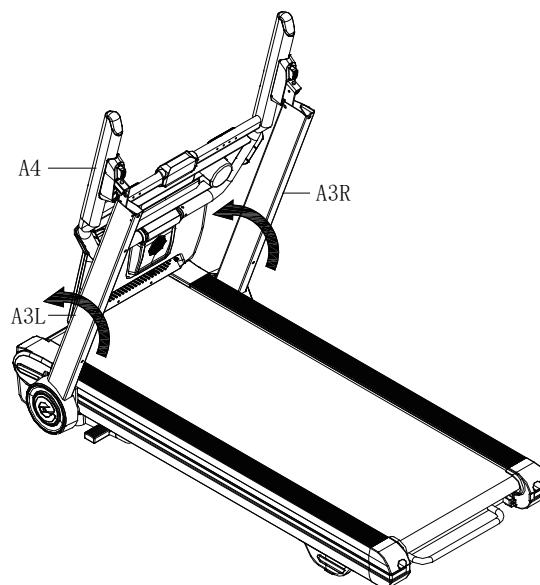
Nota: No saque la caminadora de la caja con la envoltura de plástico alrededor de las ruedas de transporte, ya que esto podría hacer que el plástico se enrede en las ruedas y dificulte su movimiento.



PASO

2

Levante el manillar y empuje el montante vertical izquierdo/derecho A3L/A3R hacia adelante hasta que escuche un sonido de “clic”, lo que indica que está bloqueado en su posición.

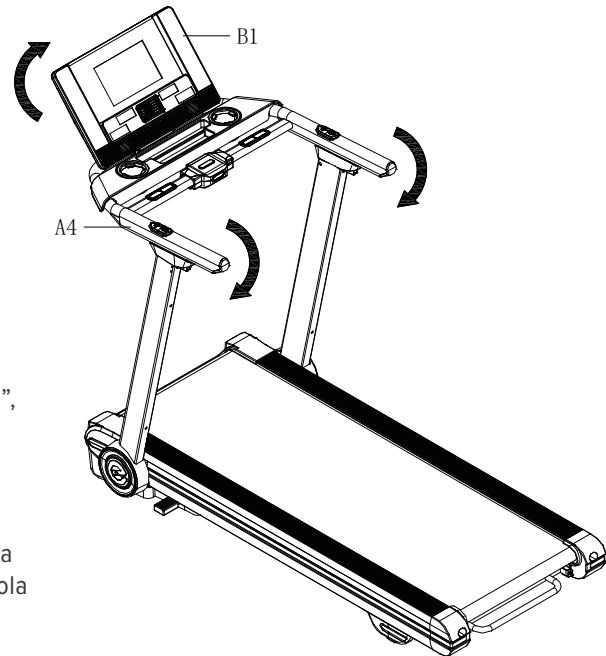


PASO 3

Levante el A4 y empújelo hacia abajo hasta que escuche un “clic”, lo que indica que el manillar está bloqueado en su posición.

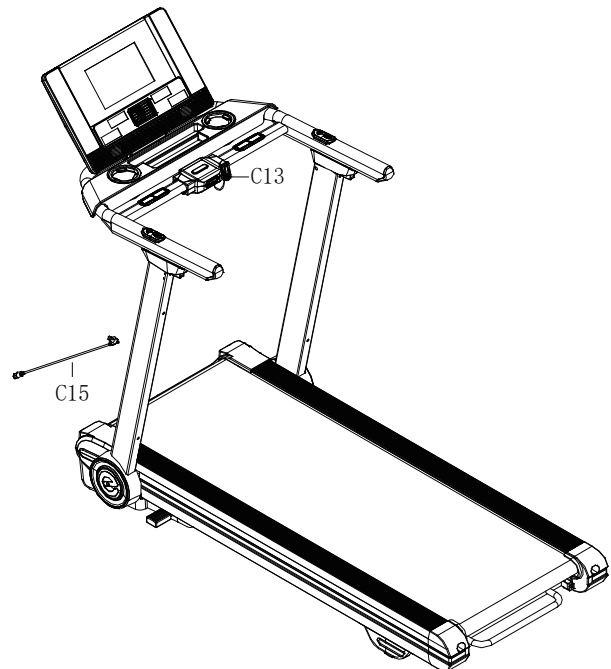
Gire la consola B1 e inclínela hacia adelante dada su preferencia de uso.

Nota: La consola se ajusta con un sistema de autobloqueo (con la caminadora apagada). Use ambas manos a cada lado de la consola cuando ajuste y empuje firmemente hacia adelante o tire hacia atrás para hacerlo.



PASO 4

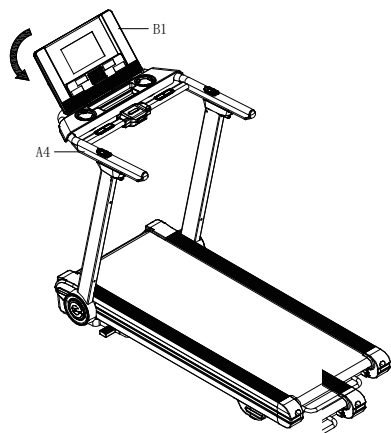
Enchufe el cable de alimentación C15 y la llave de seguridad C13 para empezar a hacer ejercicio.



INSTRUCCIONES DE PLEGADO

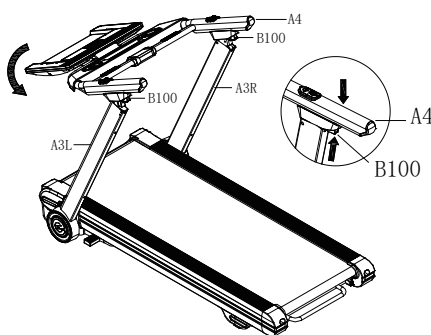
PASO 1

Gire la consola B1 hacia atrás de modo que quede horizontal con los manillares del A4.



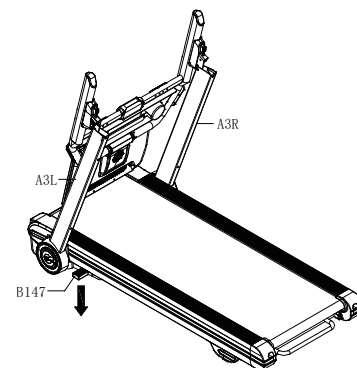
PASO 2

Presione el botón debajo del A4 en el manillar para levantarlo y empujarlo hacia atrás hasta que un "clic" indique que está bloqueado en su lugar horizontalmente con los montantes.



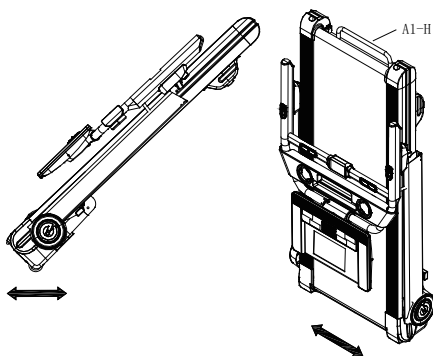
PASO 3

Baje la palanca rectangular B147 para comenzar el proceso de plegado automático. Una vez completado el proceso, los montantes y la consola quedarán nivelados con la plataforma para correr.



PASO 4

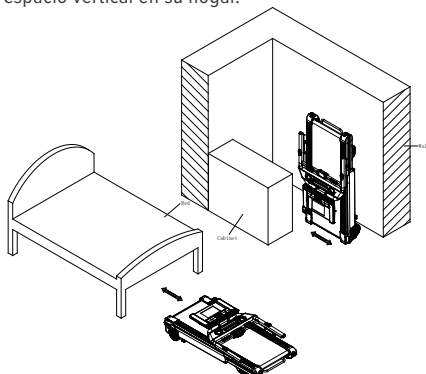
Para transportarla, levante la caminadora desde la parte trasera para asegurarse de que el extremo más pesado esté más cerca del suelo.



PASO 5

Recomendaciones de almacenamiento: Coloque la caminadora en posición vertical contra una pared para guardarla o colóquela debajo de la cama para ahorrar espacio.

La altura de la caminadora es de 26 cm (10,25 pulg.) en posición horizontal. Si el espacio es menor a 26 cm (10,25 pulg.) debajo de la cama, procure utilizar el espacio vertical en su hogar.



CUANDO GUARDE LA CAMINADORA EN POSICIÓN VERTICAL, INSTALE CORREAS DE SEGURIDAD EN LA PARED PARA ASEGURAR Y EVITAR QUE LA CAMINADORA VUELQUE.

Utilice los anclajes y tornillos proporcionados para instalar las correas de seguridad. Para paredes de hormigón, perforo dos orificios guía de 0,315 pulg. (8 mm) con 1,6 pulg. (40 mm) de profundidad, a 32 pulg. (81 cm) de distancia y a 47,2 pulg. (120 cm) por encima del suelo.

NOTA: Para paredes de madera, ubique dos montantes de pared a 32 pulg. (81 cm) de distancia y taladre los orificios guía adecuados. Introduzca los tornillos en los orificios piloto sin anclajes.

USO DEL PRODUCTO



Se requiere la activación de la membresía para vivir la experiencia de la caminadora Echelon Stride 6s

Active la membresía Echelon Premier para conectarse a las clases.

Debería haber recibido un correo electrónico de activación después de comprar este producto.

- a. Siga el enlace del correo electrónico de activación.
- b. Elija "Inscribirse ahora" y siga las indicaciones para completar su inscripción como miembro.

Conexión a la aplicación Echelon Fit®

1. Asegúrese de que su cinta de correr y la pantalla estén encendidas.

- a. El cable de alimentación debe estar enchufado a la pared y a la base de la cinta de correr.
- b. Encienda el interruptor de encendido que se encuentra junto al enchufe de la cinta de correr. El interruptor de encendido se iluminará en rojo cuando esté en la posición ON (encendido).
- c. La pantalla tardará unos minutos en encenderse por completo y estar lista para iniciar sesión.

2. Aplicación Echelon Fit®.

- a. Utilice el correo electrónico y la contraseña utilizados para crear su cuenta de membresía.
- b. Seleccione usuario (puede haber una sola opción).

3. Seleccione una clase.

- a. Recomendamos "Welcome Run", pero cualquier clase funcionará.
- b. Presione reproducir.

RANGO DE DATOS DE EJERCICIO

Rango de visualización:

Velocidad

0.5 mph – 12.4 mph

Distancia

0 millas – 99,9 millas (0 km – 99,9 km)

Hora

0:00 – 99:59

Inclinación

Nivel 0 – Nivel 12

Calorías

0 Kcal – 9999 Kcal

PULSO Y DISTANCIA:

La distancia acumulada durante el entrenamiento se mostrará cuando no se detecte ningún ritmo cardíaco. Una vez que se detecta la señal del ritmo cardíaco, la pantalla alterna entre "Distancia" y "Pulso" cada 5 segundos.

TIEMPO Y CALORÍAS:

La pantalla alterna entre "Tiempo" y "Calorías" cada 5 segundos. El tiempo muestra la duración del ejercicio. Las calorías muestran la cantidad de calorías que se ha quemado durante el ejercicio.

INCLINACIÓN:

Unidad de inclinación = 0 - 12 niveles. Muestra el nivel de inclinación actual del ejercicio.

VELOCIDAD:

Muestra la velocidad actual del ejercicio al correr.

DEFINICIÓN DEL BOTÓN DE CONTROL**INICIAR/DETENER:**

Cuando la caminadora no esté activada (si está parada o en pausa), presione el botón "INICIAR/DETENER" para comenzar el ejercicio después de una cuenta regresiva de 3 segundos. Cuando la caminadora esté activada, presione el botón "INICIAR/DETENER" una vez para detener temporalmente el ejercicio (en pausa). La velocidad llega a cero y la inclinación se detiene en el nivel de inclinación actual. Cuando esté "En pausa", presione el botón "INICIAR/DETENER" para finalizar el ejercicio.

VELOCIDAD RÁPIDA:

La velocidad rápida tiene 10 botones: 3 mph, 4 mph, 5 mph, 6 mph, 7 mph, 8 mph, 9 mph, 10 mph, 11 mph y 12 mph.

INCLINACIÓN RÁPIDA:

La inclinación rápida tiene 10 botones: nivel 1, nivel 2, nivel 3, nivel 4, nivel 5, nivel 6, nivel 7, nivel 8, nivel 9, y nivel 10.

MANILLAR IZQUIERDO:

Para alternar entre las funciones de inclinación y volumen, pulse el botón situado delante de la rueda.

1. Ajuste de la inclinación (la luz de la rueda es azul)
 - a. Para aumentar la inclinación, gire la rueda hacia delante.
 - b. Para reducir la inclinación, gire la rueda hacia atrás.
2. Ajuste del volumen (la luz de la rueda es verde)
 - a. Para aumentar el volumen, gire la rueda hacia delante.
 - b. Para reducir el volumen, gire la rueda hacia atrás.

RIGHT HANDLEBAR:

Para alternar entre las funciones de velocidad 0,1 y 1,0, pulse el botón situado delante del volante.

1. Ajuste de la velocidad 0,1 (la luz de la rueda es azul)
 - a. Para aumentar la velocidad en un 0,1, gire la rueda hacia delante.
 - b. Para reducir la velocidad en un 0,1, gire la rueda hacia atrás.
2. Ajuste de la velocidad 1,0 (la luz de la rueda es verde)
 - a. Para aumentar la velocidad en un 1, gire la rueda hacia delante.
 - b. Para reducir la velocidad en un 1, gire la rueda hacia atrás.

VENTILADOR:

Presione el botón "ENCENDER" para encender la función del ventilador. Presione el botón "APAGAR" para apagar la función del ventilador.

FUNCIONES DEL PRODUCTO

Cuando está encendida, la pantalla se ilumina durante 2 segundos en todas las ventanas y entra en modo de espera. La ventana de velocidad muestra la versión actual del firmware durante 2 segundos antes de ingresar al modo de espera.

Para iniciar el “Modo manual”, inserte la llave de seguridad firmemente en la posición correcta y presione el botón “INICIAR/DETENER”. La consola comienza la cuenta regresiva durante 3 segundos y la cinta comienza a funcionar a la velocidad mínima de 0,5 mph (0,8 km/h). Para ajustar la “Velocidad” o la “Inclinación”, presione el “Botón rápido de la rueda para velocidad”, el “Botón rápido de inclinación de la rueda”, la “Velocidad rápida” y la “Inclinación rápida” para lograr la configuración adecuada. Para finalizar el ejercicio, presione “Detener” o retire completamente la llave de seguridad.

PULSO:

Para detectar el pulso, use un monitor de ritmo cardíaco de ejercicio. La ventana de pulso muestra el valor del pulso detectado.

IMPORTANTE: El valor de pulso detectado no es para propósitos médicos.

MODO DE SUSPENSIÓN:

La consola entra en “Modo de suspensión” cuando no hay ninguna función durante 10 minutos. Presionar cualquier botón activa la consola para comenzar el ejercicio. Durante el Modo de suspensión, la pantalla táctil seguirá estando iluminada.

LLAVE DE SEGURIDAD:

Todos los datos se borran después de retirar la llave de seguridad y todas las ventanas muestran “---”. Las funciones solo pueden operarse cuando la llave de seguridad está firmemente insertada en la posición correcta. Asegúrese de sujetar el cordón de la llave de seguridad a la parte más firme de su ropa por su propia seguridad cuando utilice la caminadora.

CARGADOR DE ALIMENTACIÓN USB:

Junto a la carcasa de la consola, hay un cargador USB con una salida de 5 V y 2 A. Se trata de un USB-A. Enchufe el cable de alimentación y conéctelo con su teléfono inteligente para cargarlo.

CONEXIÓN DEL AUDIO BLUETOOTH:

Conecte un dispositivo de audio bluetooth a la caminadora para amplificar su música o audio.

AJUSTE DE LA CINTA

1. Desviar a la derecha

- Retire la llave de seguridad y desconecte la alimentación.
- Gire el perno de ajuste derecho 1/4 en sentido horario.
Vuelva a introducir la llave de seguridad y conecte la alimentación.
- Ponga en funcionamiento la caminadora (3-4 mph/6-8 kph) y observe.
- Repita los pasos a-c anteriores hasta que la cinta esté centrada.

2. Desviar a la izquierda

- Retire la llave de seguridad y desconecte la alimentación.
- Gire el perno de ajuste izquierdo 1/4 en sentido horario.
Vuelva a introducir la llave de seguridad y conecte la alimentación.
- Ponga en funcionamiento la caminadora (3-4 mph/6-8 kph) y observe.
- Repita los pasos a-c anteriores hasta que la cinta esté centrada.

3. Ajuste de la cinta

- Retire la llave de seguridad y desconecte la alimentación.
- Gire el perno de ajuste izquierdo/derecho 1/4 en sentido horario. Vuelva a introducir la llave de seguridad y conecte la alimentación.
- Haga funcionar la caminadora (3-4 mph/6-8 kph) y párese sobre la cinta para confirmar el ajuste.
- Repita los pasos a-c anteriores hasta que la cinta esté moderadamente ajustada.



LUBRICACIÓN DE LA CINTA

La Echelon Stride-6s requiere lubricación como parte del mantenimiento de rutina según el programa recomendado a continuación.

Uso ligero	Uso medio	Uso pesado
Una vez cada 60 días	Una vez cada 45 días	Una vez cada 30 días

- Mantener la cubierta lubricada a los intervalos recomendados más arriba garantiza la mayor vida útil posible de su caminadora.
- No lubricar la plataforma a intervalos regulares puede invalidar la garantía.
- Se recomienda que cada dos meses controle entre la cinta y la cubierta para verificar que hay lubricación.

- Apague la caminadora y desenchufe el cable de alimentación.
- Con la llave Allen (B), afloje los tornillos de ajuste traseros con 5-10 vueltas en sentido contrario a las agujas del reloj.
- Levante la cinta de correr y aplique aceite de silicona en zigzag por toda la superficie de la plataforma de correr. Utilice 1/2 botella de aceite de silicona. NO aplique el aceite de silicona encima de la cinta de correr.
- Coloque la cinta de correr en posición horizontal y ajuste los pernos de ajuste traseros en el sentido de las agujas del reloj la misma cantidad de veces que los aflojó en el paso 2.
- Una vez aplicado el lubricante, enchufe el cable de alimentación, inserte la llave de seguridad y encienda la caminadora.



CUIDADO Y MANTENIMIENTO

Diariamente

1. Apague la caminadora y limpie cualquier área de uso intensivo, como el manillar y la consola, con un limpiador no ácido (SIN amoníaco, cloro o alcohol) en un paño suave. No rocíe la solución de limpieza directamente sobre la caminadora, ya que podría arruinar los componentes eléctricos.
2. Inspeccione el cable de alimentación en busca de daños. Si está dañado, reemplácelo inmediatamente; para ello, comuníquese con Servicio al Cliente. **Nota:** Cuando la caminadora no esté en uso, desenchufe y guarde el cable de alimentación en un lugar seguro, seco y fuera del alcance de los niños.
3. La llave de seguridad debe retirarse después de cada uso para que la caminadora no se encienda accidentalmente cuando no esté en funcionamiento.
4. Inspeccione en busca de ruidos que puedan indicar posibles problemas. Si hay algún ruido preocupante, comuníquese con Servicio al Cliente.

Semanalmente

1. Limpie la cinta de correr, la consola, los montantes y la cubierta del motor con limpiadores no ácidos y un paño suave. Los limpiadores deben aplicarse al paño y nunca rociarse directamente sobre el equipo.
2. Inspeccione todos los herrajes ensamblados y premontados y apriete o vuelva a fijar según sea necesario. Esto incluye, entre otros, lo siguiente:
 - a. Manillares y montantes verticales
 - b. Consola
 - c. Cinta
3. Quite el polvo y aspire la caminadora y el área circundante. Para limpiar debajo de la caminadora, desconecte la alimentación pliegue y mueva la caminadora a un lugar alternativo. Vuelva a colocar la caminadora en su ubicación original después de limpiarla.
4. Asegúrese de que su aplicación y el firmware del equipo estén actualizados con las últimas versiones.
5. Compruebe que la cinta no esté floja, ya que esto hará que la caminadora reciba información incorrecta al calcular las métricas si no está bien ajustada. Cuando la ajuste, asegúrese de hacerlo de manera uniforme a ambos lados del rodillo trasero con la llave Allen suministrada, girando en el sentido horario hasta que quede ajustada de modo que haya solo un espacio de 2 a 3 pulg. al levantar la cinta. No ajuste los rodillos de la cinta más de 10 rotaciones completas, ya que esto podría dañar los componentes de la caminadora. Si siente que ha hecho esto, asegúrese de comenzar a ir hacia atrás para corregir cualquier ajuste excesivo. Si estos pasos no solucionan el problema, consulte las instrucciones de lubricación de la cinta o llame a Servicio al Cliente si necesita más ayuda.

Semanalmente | 2-a



Mensualmente

1. Verifique la alineación de la cinta de correr de la caminadora asegurándose de que esté centrada y se deslice suavemente sobre la plataforma de correr. Utilice las instrucciones que se encuentran en su manual de usuario para “volver a centrar” la cinta y solucionar el problema. Consulte las instrucciones de ajuste de la cinta en la página 63.
2. Encienda la caminadora a baja velocidad y pruebe si hay deslizamiento de la cinta para asegurarse de que el motor esté aplicando el par de torsión adecuado.
3. Si escucha algún ruido de roce, detecta que la cinta de la caminadora está descentrada más allá de las instrucciones proporcionadas o advierte daños en la plataforma para correr, deje de usar la máquina y comuníquese con Servicio al Cliente para obtener ayuda.

Servicio al Cliente de Echelon Fitness:

☎ (833) 937-2453 USA

+49 40 52592884 UK

✉ cs@echelonfit.com

CÓDIGOS DE ERROR Y SOLUCIÓN DE PROBLEMAS

CÓDIGO DE ERROR	PROBLEMAS	SOLUCIONES
E00	No hay detección de señal de la llave de seguridad desde el tablero de control inferior	<ol style="list-style-type: none"> 1. Verifique que el cable de la llave de seguridad esté bien conectado en el tablero de control inferior. 2. Reemplácelo por un nuevo cable de llave de seguridad.
E01	La conexión falla entre “PCB” y “Placa de control inferior”	<ol style="list-style-type: none"> 1. Verifique que todos los cables estén bien conectados entre el PCB y la placa de control. 2. Compruebe si alguno de los cables está dañado. 3. Compruebe si la PCB o la placa de control inferior están en buenas condiciones. Si algún chip está dañado, cambie la PCB o la placa de control inferior.
E02	Se activa la protección contra sobrecarga	<ol style="list-style-type: none"> 1. Compruebe si la toma de corriente tiene suministro de bajo voltaje. Si es así, cambie una toma de corriente. 2. Compruebe si la placa de control inferior tiene mal olor. Si es así, cambie una placa de control inferior. 3. Compruebe si los cables conectados al motor están bien conectados.
E03	No hay señal del sensor de velocidad	<ol style="list-style-type: none"> 1. Compruebe si el cable del sensor de velocidad está bien conectado. 2. Compruebe si el cable o el sensor de velocidad están dañados. Si es así, reemplace el cable y el sensor de velocidad.
E04	Hay daños en el motor de inclinación	<p>Realice la calibración de inclinación</p> <ol style="list-style-type: none"> 1. Retire la llave de seguridad. 2. Mantenga presionados los botones “Iniciar/Detener” durante más de 3 segundos. 3. Una vez completada la calibración de la inclinación, vuelva a probar la caminadora; para ello, enciéndala y presione el botón “Iniciar”.
E05	Se activa la protección contra sobretensión	<ol style="list-style-type: none"> 1. Compruebe si alguna pieza del motor está atascada. Desenchufe el cable de alimentación y ajuste el motor. Vuelva a enchufar el cable de alimentación y vuelva a empezar a correr la caminadora. 2. Compruebe si el motor tiene olor a quemado. Si es así, cambie el motor. 3. Compruebe si la placa de control inferior tiene olor a quemado. Si es así, cambie una placa de control inferior. 4. Compruebe si la toma de corriente tiene suministro de bajo voltaje. Si es así, cambie una toma de corriente.
E06	Hay un error de autocomprobación en el controlador	<ol style="list-style-type: none"> 1. Compruebe si los cables del motor están bien conectados y en buenas condiciones. 2. Verifique si el IGBT en la placa de control inferior tiene olor a quemado. Si es así, cambie una placa de control inferior. 3. Compruebe si la PCB está en buenas condiciones.
E07	Se ha perdido el parámetro	Reemplace la placa de control inferior.
E08	La EEPROM está dañada (en la placa de control inferior)	Reemplace la placa de control inferior.
E09	Problema de voltaje o IPM sobrecalentado	Reemplace la placa de control inferior.
EEP	La EEPROM está dañada (en la placa de control superior)	Reemplace la plataforma del botón (la placa de control superior se ensambla junto con la plataforma del botón).
NO CODE SHOWN	Hay daños en el motor o daños en el circuito del motor	<ol style="list-style-type: none"> 1. Compruebe si los cables conectados al motor están bien conectados. 2. Verifique si el fusible en la placa de control inferior está dañado. Si es así, cambie a una nueva placa de control inferior. 3. Verifique si el IGBT en la placa de control inferior está funcionando usando el multímetro. Si es así, cambie una placa de control inferior.

eechelon™

Who's working out today?



Christopher



Dick



Jenn



Shelly



Karen



Sign Out

00



0:00

Preguntas o inquietudes

¡Nuestros miembros son nuestra prioridad! Si necesita ayuda o tiene inquietudes, comuníquese con nuestro equipo de servicio al cliente.

☎ (833) 937-2453 USA
+49 40 52592884 UK

✉ cs@echelonfit.com

Enviar una solicitud:



Información de garantía

Su caminadora Echelon Stride 6s viene con 1 año de garantía en piezas y mano de obra. En caso de que sea necesario usar la garantía, solo necesita un comprobante de compra y nuestro equipo de Servicio al cliente estará encantado de ayudarlo. Hay disponibles garantías extendidas adicionales de 1 o 2 años a través del Servicio al Cliente.



A series of horizontal lines for writing, consisting of 28 evenly spaced lines that span the width of the page.



MODELO: ECH-STRIDE-6s

ECHELON FITNESS MULTIMEDIA, LLC
605 CHESTNUT STREET, SUITE 700
CHATTANOOGA, TN 37450

EHELONFIT.COM

MODELO: ECH-STRIDE-6s

ECHELON FITNESS MULTIMEDIA, LLC.
27 OLD GLOUCESTER STREET
LONDON, UNITED KINGDOM, WC1N 3AX

EHELONFIT.UK



LEA LAS INSTRUCCIONES
ANTES DE USAR

HECHO
EN CHINA

PATENTE
PENDIENTE

REV: 12082024

eechelon[®]
STRIDE-6s



Willkommen

Ich bin Lou Lentine, der Gründer von Echelon, und möchte Sie in der Echelon-Community willkommen heißen. Sie haben eine hervorragende Entscheidung für sich und Ihre Familie getroffen. Echelon Experience ist eine innovative Kombination von Fitness-Produkten in Verknüpfung mit unserer hochmodernen Echelon Fit®-App. Um Sie bei Ihren Fitness-Zielen zu unterstützen, verbindet Sie dieser neuartige Fitness-Lifestyle mit Ihrer Familie, Ihren Freunden, der Echelon-Community und den Echelon-Trainern. Mit Tausenden von Live- und On-Demand-Kursen stehen unabhängig von Ihrem Zeitplan oder Ihrer Erfahrung stets neue und spannende Kurse bereit, an denen Sie teilnehmen können.

Wir begrüßen Ihre Entscheidung, sich in dem Bestreben nach einem gesünderen Lebensstil unserer Echelon-Familie anzuschließen. Wir verpflichten uns auch weiterhin der Entwicklung von erstklassigen, innovativen Produkten zur Steigerung der Lebensqualität durch Trainingserfahrungen, die einen aktiven Lebensstil zugänglicher und nachhaltiger gestalten.

Nochmals vielen Dank, dass Sie sich für Echelon entschieden haben.
Ich freue mich darauf, Sie im nächsten Live-Kurs zu sehen!

Mit den besten persönlichen Grüßen



Lou Lentine
Gründer von Echelon Fitness
Multimedia, LLC



INHALTSVERZEICHNIS

»		INFORMACIÓN DE SEGURIDAD	76
»		ERDUNGVORSCHRIFTEN	79
»		TECHNISCHE DATEN DES LAUFBANDS	80
»		MONTAGE	81
»		BEDIENUNG DES GERÄTS	84
»		PFLEGE UND WARTUNG	88
»		FEHLERBEHEBUNG & FEHLERCODE	89
»		HINWEISE	92



ERKLÄRUNG DER FCC (FEDERAL COMMUNICATION COMMISSION)

15.21

Wir weisen Sie darauf hin, dass Änderungen oder Modifikationen, die nicht ausdrücklich von der für die Konformität verantwortlichen Stelle genehmigt wurden, dazu führen können, dass der Benutzer die Berechtigung zum Betrieb des Geräts verliert.

15.105(B)

Dieses Gerät wurde getestet und erfüllt die Grenzwerte für ein digitales Gerät der Klasse B gemäß Abschnitt 15 der FCC-Bestimmungen. Diese Grenzwerte sollen einen angemessenen Schutz vor schädlichen Störungen in Wohnanlagen gewährleisten. Dieses Gerät erzeugt, verwendet und strahlt Hochfrequenzenergie aus und kann, wenn es nicht gemäß den Anweisungen installiert und verwendet wird, Störungen der Funkkommunikation verursachen. Es besteht jedoch keine Garantie, dass bei einer bestimmten Installation keine Störungen auftreten.

Falls dieses Gerät schädliche Störungen beim Radio- oder Fernsehempfang verursachen sollte, was sich durch Aus- und Einschalten des Geräts feststellen lässt, empfehlen wir dem Nutzer, diese Störungen gegebenenfalls durch eine der folgenden Maßnahmen zu beheben:

- Richten Sie die Empfangsantenne neu aus oder platzieren Sie diese an anderer Stelle.
- Vergrößern Sie den Abstand zwischen dem Gerät und dem Empfänger.
- Schließen Sie das Gerät an eine Steckdose in einem anderen Stromkreis an, als dem, an welchen der Empfänger angeschlossen ist.

Ziehen Sie den Händler oder einen erfahrenen Radio-/Fernsehtechniker zu Rate.

FCC-ERKLÄRUNG ZUR HF-STRAHLENBELASTUNG:

1. Dieser Sender darf nicht mit anderen Antennen oder Sendern zusammen aufgestellt oder betrieben werden.
2. Dieses Gerät entspricht den HF-Grenzwerten für die Strahlenbelastung, die für unkontrollierte Umgebungen festgelegt wurden. Dieses Gerät sollte mit einem Mindestabstand von 20 cm zwischen dem ausstrahlenden Gerät und Ihrem Körper installiert und betrieben werden.

DIESES GERÄT ENTSPRICHT TEIL 15 DER FCC-BESTIMMUNGEN.

DER BETRIEB UNTERLIEGT DEN BEIDEN FOLGENDEN BEDINGUNGEN:

1. Dieses Gerät darf keine schädlichen Störungen verursachen und
2. Dieses Gerät muss sämtliche empfangenen Störgrößen bewältigen können, einschließlich solcher, die unerwünschte Betriebsweisen auslösen könnten.

INNOVATION, WISSENSCHAFT UND WIRTSCHAFTLICHE ENTWICKLUNG KANADA (ISED) INNOVATION, SCIENCE ET DÉVELOPPEMENT ÉCONOMIQUE CANADA (ISED)

KLASSE B ENTSPRICHT DER KANADISCHEN VORSCHRIFT ICES-003.

CET APPAREIL NUMÉRIQUE DE CLASSE B EST CONFORME À LA NORME NMB-003.

HINWEIS FÜR KANADA

Dieses Gerät erfüllt die RSS-Norm(en) von ISED für lizenzfreie Geräte. Der Betrieb unterliegt denbeiden folgenden Bedingungen:

1. Dieses Gerät darf keine Störungen verursachen und
2. Dieses Gerät muss sämtliche Störgrößen bewältigen können, einschließlich solcher, die unerwünschte Betriebsweisen des Geräts auslösen könnten.

AVIS CANADIEN

Le présent appareil est conforme aux CNR d'ISED applicables aux appareils radio exempts de licence. L'exploitation est autorisée aux deux conditions suivantes :

1. L'appareil ne doit pas produire de brouillage, et
2. L'utilisateur de l'appareil doit accepter tout brouillage radioélectrique subi, même si le brouillage est susceptible d'en compromettre le fonctionnement.

VORSICHT: EXPOSITION GEGENÜBER HF-STRAHLUNG

1. Zur Erfüllung der Anforderungen der kanadischen HF-Strahlenbelastungsrichtlinien darf dieses Gerät nicht mit anderen Antennen oder Sendern zusammen aufgestellt oder betrieben werden.
2. Zur Erfüllung der Anforderungen der HF-Strahlenbelastungsrichtlinien für den Standard RSS 102 muss ein Mindestabstand von 20 cm zwischen der Antenne dieses Geräts und allen Personen eingehalten werden.

ATTENTION: EXPOSITION AU RAYONNEMENT RADIOFRÉQUENCE

1. Pour se conformer aux exigences de conformité RF canadienne l'exposition, cet appareil et son antenne ne doivent pas être co-localisés ou fonctionnant en conjonction avec une autre antenne ou transmetteur.
2. Pour se conformer aux exigences de conformité CNR 102 RF exposition, une distance de séparation d'au moins 20 cm doit être maintenue entre l'antenne de cet appareil et toutes les personnes.

WARNSCHILDER



⚠️ WARNING AVERTISSEMENT ADVERTENCIA WARTUNG			
<p>KEEP CHILDREN AWAY FROM MACHINE</p> <p>Risk of serious injury or death may occur if caution is not used.</p> <p>Read and follow all warnings and instructions. For consumer equipment, ensure that proper instructions are obtained prior to use.</p> <p>CAUTION:</p> <p>Risk of personal injury. Keep children under the age of 13 away from machine.</p> <p>To reduce the risk of injury from moving parts, unplug before servicing.</p> <p>To reduce the risk of electric shock, unplug before cleaning or servicing.</p> <p>Always wait for the treadmill to come to a complete stop before resuming or ending a workout.</p>	<p>TENIR LES ENFANTS À L'ÉCART DE LA MACHINE.</p> <p>Risque de blessures ou de mort si la précaution n'est pas utilisée.</p> <p>Avant l'utilisation, lire tous les avertissements et directives et, dans le cas d'équipement de grand public, obtenir toutes les directives appropriées.</p> <p>ATTENTION :</p> <p>Risque de blessure. Tenez les enfants de moins de 13 ans à distance de la machine.</p> <p>Pour limiter le risque de blessure liée aux pièces en mouvement. Débranchez avant de réaliser l'entretien.</p> <p>Pour limiter le risque de choc électrique. Débranchez avant de nettoyer ou de réaliser l'entretien.</p> <p>Attendez toujours le tapis roulant s'arrêter complètement avant de reprendre ou de terminer un entraînement.</p>	<p>MANTENGA A LOS NIÑOS ALEJADOS DE LA MAQUINA.</p> <p>Riesgo de lesiones graves o la muerte si no se tiene cuidado.</p> <p>Lea y siga todas las advertencias e instrucciones y, en el caso de equipo consumo, obtenga las instrucciones adecuadas antes de su uso.</p> <p>PRECAUCIÓN:</p> <p>Riesgo de lesiones personales. Mantenga a los niños menores de 13 años lejos de la máquina.</p> <p>Para reducir el riesgo de lesiones por piezas móviles. Desenchufe antes de reparar.</p> <p>Para reducir el riesgo de descarga eléctrica. Desenchufe antes de limpiar o reparar.</p> <p>Espera siempre a la cinta de correr detenerse por completo antes de continuar o terminar un entrenamiento.</p>	<p>HALTEN SIE KINDER VOM GERÄT FERN</p> <p>Bei unvorsichtiger Handhabung besteht die Gefahr schwerer Verletzungen oder des Todes.</p> <p>Lesen und befolgen Sie alle Warnungen und Anweisungen. Stellen Sie bei Verbrauchergehäten sicher, dass vor der Verwendung die entsprechenden Anweisungen eingeholt wurden.</p> <p>VORSICHT:</p> <p>Verletzungsgefahr. Halten Sie Kinder unter 13 Jahren vom Gerät fern.</p> <p>Um das Verletzungsrisiko durch bewegliche Teile zu verringern, ziehen Sie vor Wartungsarbeiten den Stecker.</p> <p>Um das Risiko eines Stromschlags zu verringern, ziehen Sie vor der Reinigung oder Wartung den Stecker.</p> <p>Warten Sie immer, bis das Laufband vollständig zum Stillstand gekommen ist, bevor Sie ein Training fortsetzen oder beenden.</p>

WICHTIGE SICHERHEITSHINWEISE

Seien Sie beim Auf- und Absteigen auf das Laufband vorsichtig. Bringen Sie das Gerät vor dem Auf- und Absteigen vollständig zum Stillstand.

Der Hersteller empfiehlt, das Laufband Echelon® Stride-6s an einem Ort aufzustellen, an dem die folgenden Mindestabstände für sicheres Zusammen- und Auseinanderbauen des Laufbands eingehalten werden:

- Der Mindestabstand hinter dem Laufband beträgt 2,0 m (78,7 in) × die Breite des Laufbands. Dieser Bereich muss frei von jeglichen Hindernissen sein.
- Der Mindestabstand zu jeder Seite des Laufbands beträgt: 500 mm (19,7 in).

Beim Reinigen des Echelon® Stride-6s Laufbands verwenden Sie bitte zum Abwischen des Geräts ein weiches Tuch mit einem milden Reinigungsmittel oder Wasser. Verwenden Sie keine ätzenden chemischen Flüssigkeiten, welche die Abdeckung beschädigen könnten.

Bei der Verwendung von Elektrogeräten sollten grundsätzliche Vorsichtsmaßnahmen beachtet werden, einschließlich der folgenden Informationen:

Lesen Sie alle Anweisungen vor der Benutzung des Laufbands Echelon® Stride-6s.

NUR FÜR DEN PRIVATEN GEBRAUCH BESTIMMT.

BEWAHREN SIE DIESE ANLEITUNG AUF.

GEFAHR! ZUR VERRINGERUNG DES STROMSCHLAGRISIKOS:

Ziehen Sie den Netzstecker dieses Geräts nach dem Gebrauch oder vor der Reinigung unverzüglich aus der Steckdose.

BEVOR Sie mit einem Kraft- oder Fitnessprogramm beginnen, konsultieren Sie Ihren Arzt oder Gesundheitsberater. Dadurch stellen Sie sicher, dass Sie das richtige Kraft- oder Fitnessprogramm für Ihr Alter und Ihre körperliche Verfassung absolvieren.

Beantworten Sie vor der Benutzung des Laufbands Echelon® Stride-6s folgende Fragen:

- Waren Sie in letzter Zeit krank?
- Hatten Sie in letzter Zeit langanhaltende Schwindelanfälle?
- Waren Sie in letzter Zeit grundlos außer Atem?
- Hatten Sie in letzter Zeit Schmerzen in der Brust?
- Haben Sie derzeit irgendwelche Verletzungen, die Sie vom Trainieren abgehalten haben?
- Sind Sie schwanger?
- Haben Sie irgendwelche Krankheiten oder Gründe, weshalb Sie NICHT trainieren sollten?
- Sind Sie über 35 Jahre alt und körperlich inaktiv?
- Wurde Ihnen von einem Arzt geraten, dass Sie NICHT trainieren sollten?

Falls Sie eine der oben genannten Fragen mit „Ja“ beantworten, sollten Sie vor der Benutzung des Laufbands Echelon® Stride-6s Ihren Arzt um weiteren Rat fragen.

Lesen Sie die Bedienungsanleitung vollständig durch und befolgen Sie alle Anweisungen. Dies gewährleistet Ihre Sicherheit.

- Überschreiten Sie NIEMALS die Gewichtsgrenze für dieses Laufband. Die Gewichtsgrenze für dieses Laufband liegt bei 330 lbs / 150 kg. Verwenden Sie das Echelon® Stride-6s nicht, falls Ihr Körpergewicht mehr als 150kg / 330 lbs beträgt.
- Verwenden Sie das Echelon® Stride-6s IMMER auf festem, ebenem Untergrund sowie in einem gut beleuchteten und belüfteten Bereich. Stellen Sie das Laufband nicht auf einen dicken Teppich, da dieser die Belüftung beeinträchtigen kann.
- Prüfen Sie das Laufband vor dem Gebrauch IMMER auf Verschleiß oder lose Teile.

WARNUNG! ZUR VERRINGERUNG DES VERBRENNUNGS-, BRAND-, STROMSCHLAG-, ODER VERLETZUNGSRISIKOS:

1. Das Gerät darf im angeschlossenen Zustand niemals unbeaufsichtigt gelassen werden. Ziehen Sie den Netzstecker bei Nichtgebrauch und vor dem Anbringen oder Abnehmen von Teilen aus der Anschlussdose.
2. Betreiben Sie das Gerät nicht unter einer Decke oder einem Kissen. Es könnte zu einer übermäßigen Wärmebildung kommen, die zu einem elektrischen Schlag oder zu Verletzungen führen kann.
3. Dieses Gerät ist nicht für den Gebrauch durch Personen mit eingeschränkten körperlichen, sensorischen oder geistigen Fähigkeiten oder mangelnder Erfahrung und Kenntnissen bestimmt, es sei denn, diese Personen werden beaufsichtigt oder haben Anweisungen zur Verwendung des Gerätes durch eine für ihre Sicherheit verantwortliche Person erhalten. **Halten Sie Kinder unter 13 Jahren von diesem Gerät fern.**
4. Verwenden Sie dieses Gerät nur für den bestimmungsgemäßen Gebrauch, wie in dieser Anleitung beschrieben. Verwenden Sie keine Anbauteile, die nicht vom Hersteller empfohlen wurden.
5. Schließen Sie dieses Gerät nur an eine ordnungsgemäß geerdete Steckdose an. Wichtige Informationen finden Sie unter „Erdungsvorschriften“ auf Seite 7.
6. Nehmen Sie das Gerät nicht in Betrieb, wenn das Kabel oder der Stecker beschädigt sind, wenn es nicht ordnungsgemäß funktioniert, es/er fallen gelassen oder beschädigt wurde oder in Berührung mit Wasser gelangt ist. Bringen Sie das Gerät zur Überprüfung und Reparatur zu einem Kundendienstzentrum.
7. Das Gerät nicht am Netzkabel tragen oder das Kabel als Griff verwenden.
8. Halten Sie das Netzkabel von heißen Oberflächen fern.
9. Betreiben Sie das Gerät niemals, wenn die Lüftungsöffnungen blockiert sind. Halten Sie die Lüftungsöffnungen frei von Flusen, Haaren und dergleichen.
10. Es dürfen keine Fremdkörper in irgendwelche Öffnungen gelangen. Führen Sie niemals Gegenstände ein.
11. Das Gerät nicht im Freien benutzen.
12. Benutzen Sie das Gerät nicht an Orten, an denen Sprühdosen verwendet werden oder an denen Sauerstoff verabreicht wird.
13. Um das Gerät vom Stromnetz zu trennen, schalten Sie alle Bedienelemente auf „Aus“ und ziehen Sie dann den Netzstecker aus der Steckdose.

- Benutzen Sie das Laufband NIEMALS, wenn es nicht ordnungsgemäß/ vollständig montiert oder in irgendeiner Weise beschädigt ist.
- Erlauben Sie Kindern oder Haustieren NIEMALS während des Betriebs, auf oder in der Nähe des Laufbands zu spielen. Dies trägt zu deren Schutz vor beweglichen Teilen bei.
- Justieren Sie das Laufband IMMER richtig für Ihren spezifischen Körpertyp.
- Benutzen Sie das Echelon® Stride-6s NIEMALS, wenn Sie krank oder erschöpft sind.
- Wärmen Sie sich IMMER auf/strecken Sie sich, bevor Sie mit dem Training beginnen.
- Achten Sie IMMER darauf, dass Sie in der Nähe eine Wasserflasche mit mindestens 350 ml Wasser und ein Handtuch griffbereit haben, um den Schweiß von Ihrem Körper und den Handläufen aufzunehmen.
- Starten Sie das Laufband NIEMALS, während Sie auf dem Laufgurt stehen. Nach dem Einschalten des Geräts und der Geschwindigkeitsauswahl, kann es zu einer Verzögerung kommen, bevor sich der Laufgurt zu bewegen beginnt. Stellen Sie sich immer auf die Seitenschiene des Rahmens, bis sich der Laufgurt losbewegt.
- Halten Sie sich bei den ersten Trainingseinheiten beim Gehen oder Laufen IMMER an den Handläufen fest, bis Sie mit der Benutzung des Laufbandes vertraut sind.
- Stehen oder klettern Sie NIEMALS auf den Handläufen.
- Tragen Sie IMMER geeignete Kleidung und Schuhwerk, das Ihre Füße vollständig umschließt. Tragen Sie beim Training auf dem Laufband keine lose oder herunterhängende Kleidung. Lange Haare müssen zurück- oder zusammengebunden sein. Stellen Sie sicher, dass die Schnürsenkel in Ihren Schuhen stecken.
- Halten Sie IMMER die Hände von den beweglichen Teilen fern und achten Sie darauf, dass die Hände während der Benutzung sicher an den Haltestangen platziert sind.
- Heben Sie das Laufband NIEMALS an, wenn das Laufdeck NICHT hochgeklappt ist.



ERDUNGSVORSCHRIFTEN

Dieses Gerät muss geerdet werden. Im Falle einer Fehlfunktion oder eines Ausfalls, stellt die Erdung den Weg des geringsten Widerstands für den elektrischen Strom dar und verringert dadurch das Stromschlagrisiko. Dieses Gerät ist mit einem Kabel mit Erdungsleiter und einem Erdungsstecker ausgestattet. Der Stecker muss in eine entsprechende Steckdose eingesteckt sein, die ordnungsgemäß installiert und geerdet ist und allen lokalen Vorschriften und Verordnungen entspricht.

Zwei gängige Arten von Steckdosen in Haushalten umfassen folgende Schutzvorrichtungen: Fehlerstromschutzschalter (RCD) und Fehlerlichtbogen-Schutzeinrichtung (AFCI, Arc Fault Circuit Interrupter). Sollte es zu einer gefährlichen Störung kommen, lösen die Schutzvorrichtungen beider Steckdosen aus. Aus diesem Grund haben Laufbänder und andere elektrischen Geräte eine schlechte Wechselwirkung mit den RCD- oder AFCI-Steckdosen.

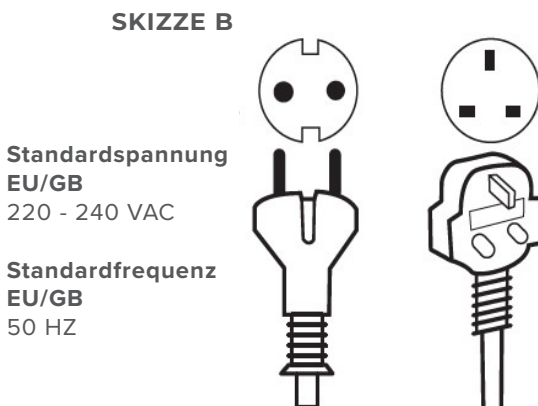
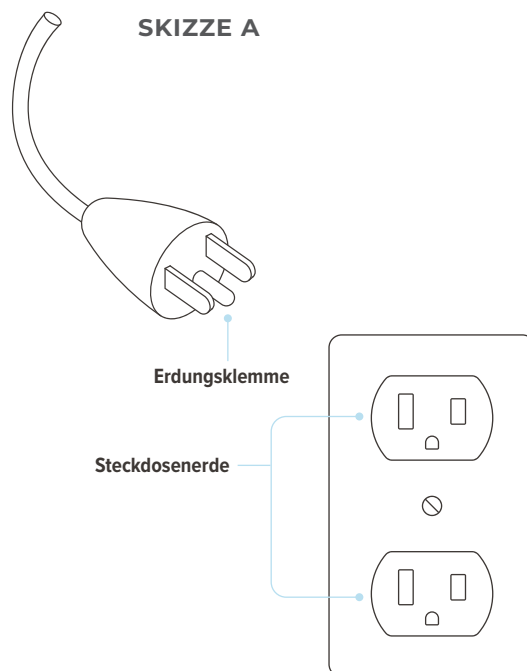
Häufig kommen RCD-Steckdosen in Badezimmern oder Küchen zum Einsatz. Diese sind durch einen roten oder weißen Reset-Schalter vorne an der Steckdose erkennbar. Beim Auftreten eines Überstroms durch den Anschluss, löst die RCD-Steckdose ihren Schutzschalter aus. Da Laufbänder und andere elektrische Geräte den Erdungskontakt nutzen, um statische Elektrizität abzuleiten, ist die Nutzung einer RCD-Steckdose für die Stromversorgung Ihres Geräts nicht ideal. Wir empfehlen, das Gerät an einen Steckdosentyp anzuschließen, der verhindert, dass sich das Gerät ständig ausschaltet. Bitte beachten Sie, dass RCD-Steckdosen mit anderen Steckdosen verbunden werden können (sogar wenn es sich nicht um diese spezielle Art von Steckdose handelt). Es wird empfohlen, die Geräte an einem Ort aufzustellen, die elektrisch nicht miteinander verbunden sind. Schließen Sie Ihre Geräte nicht an Steckdosenleisten mit Überspannungsschutz oder andere Gerätearten an, sondern an einen eigenen Stromkreis.

Elektrische Lichtbögen werden von AFCI-Steckdosen erkannt und sind so konzipiert, dass sie den Stromfluss unterbrechen und stoppen. Aus diesem Grund könnte bei einem Anschluss an AFCI-Steckdosen eine Abschaltung von Laufbändern und anderen elektrischen Geräten vermutlich zu Problemen führen. Neuere Bauvorschriften schreiben nun AFCI-Steckdosen vor. Bei anhaltenden Problemen empfehlen wir Ihnen folgende Lösungen: Wenden Sie sich an einen Elektriker oder wechseln Sie zu einem anderen Steckdosentyp.

GEFAHR:

Bei unsachgemäßem Anschluss des Erdungsleiters besteht Stromschlaggefahr. Wenden Sie sich an einen qualifizierten Elektrotechniker oder Servicetechniker, falls Sie Zweifel an der fachgerechten Erdung des Geräts haben. Modifizieren Sie nicht den mitgelieferten Netzstecker des Geräts. Falls dieser nicht in die Steckdose passt, lassen Sie von einem qualifizierten Elektrotechniker eine geeignete Steckdose installieren.

Zur Verwendung in den USA sind die Produkte für den Betrieb an einem Nennstromkreis von 120 V ausgelegt und mit einem geerdeten Stecker versehen, der wie derjenige in Skizze A aussieht. Zur Verwendung in der EU und in GB sind die Geräte für den Betrieb an einem Nennstromkreis von 220 V ausgelegt und mit einem geerdeten Stecker versehen, der wie derjenige in Skizze B aussieht. Achten Sie darauf, dass das Produkt an eine Steckdose derselben Konfiguration wie der Stecker angeschlossen ist. In Verbindung mit diesem Gerät dürfen keine Adapter verwendet werden.



ESPECIFICACIONES DEL PRODUCTO

TECHNISCHE DATEN UND INFORMATIONEN DES LAUFBANDS:

Max. Benutzergewicht: 330 lb
 Abmessungen zusammengebaut:
 5,4' x 2,7' x 4,75'
 Lauffläche: 20" x 60"
 Geschwindigkeit: 0,5-12.4 mph //
 Steigung: 0-12 %





MONTAGE DES LAUFBANDS

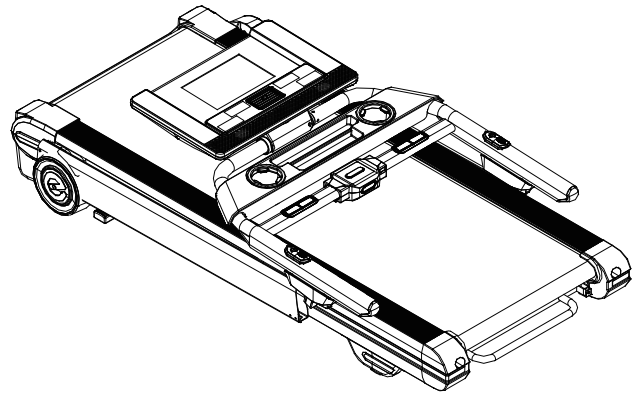
SCHRITT

1

Das Zusammenbauen sollte auf einer weichen Unterlage wie z. B. einem Teppich, einem Läufer oder dem ausgebreiteten Karton erfolgen.

Gerät und Bildschirm aus dem Karton entnehmen. Flach auf den Boden legen.

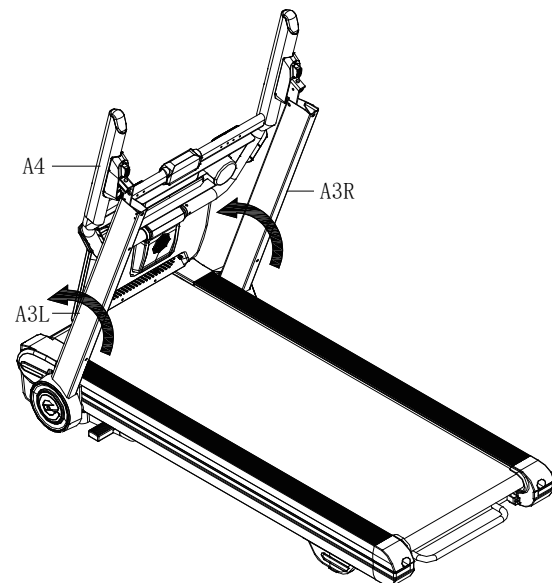
Hinweis: Das Laufband nicht aus dem Karton rollen, wenn die Transporträder noch mit Plastik umwickelt sind. Das Plastik könnte sich in den Rädern verfangen, sodass diese schwer zu bewegen sind.



SCHRITT

2

Griffstange hochziehen und die A3L/A3R linke/rechts Haltestange nach vorne schieben, bis ein Klickgeräusch anzeigt, dass sie eingerastet ist.

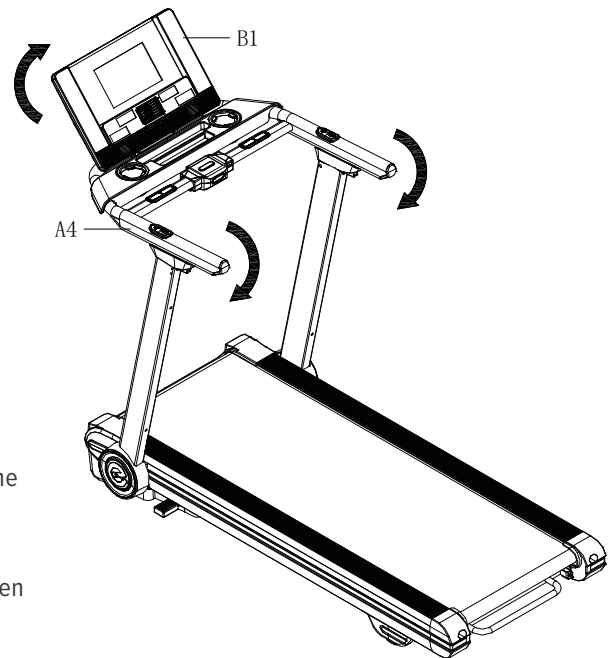


SCHRITT 3

A4 hochziehen und nach unten drücken, bis ein Klickgeräusch anzeigt, dass die Griffstange eingerastet ist.

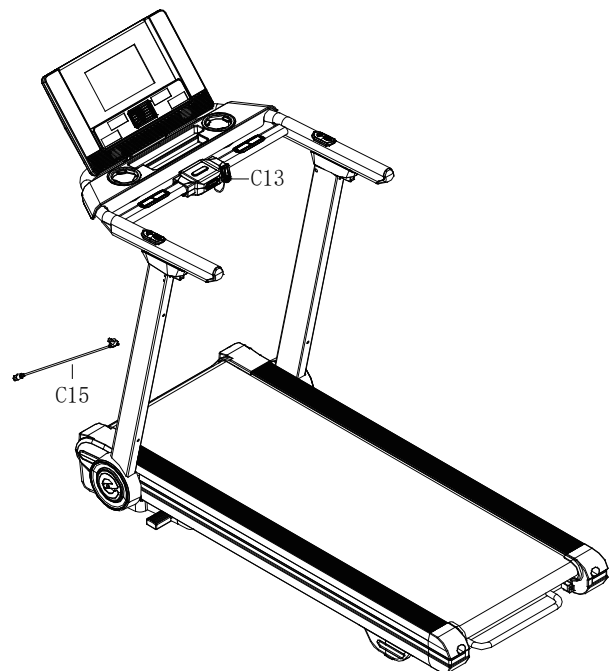
Konsole B1 drehen und nach Belieben zur Verwendung nach vorne ausrichten.

Hinweis: Die Konsole ist selbstverriegelnd (bei ausgeschaltetem Laufband). Die Konsole mit den Händen an beiden Seiten ergreifen und zum Einstellen kräftig nach vorne drücken oder nach hinten ziehen.



SCHRITT 4

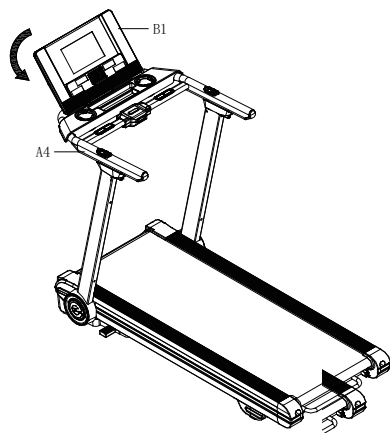
Um mit dem Training zu beginnen, das C15-Stromkabel und den C13-Sicherheitsschlüssel einstecken.



ANWEISUNGEN ZUM ZUSAMMENFALTEN

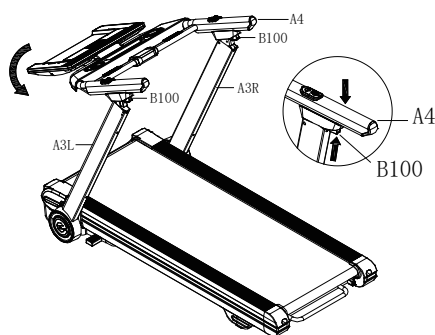
SCHRITT 1

Die B1-Konsole nach hinten drehen, sodass die A4 Griffstangen horizontal stehen.



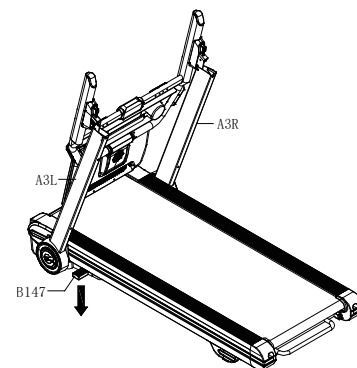
SCHRITT 2

Die Taste unter A4 an der Griffstange drücken, um diese hochzustellen, und nach hinten schieben, bis ein Klickgeräusch anzeigt, dass sie mit horizontal stehenden Griffstangen eingerastet ist.



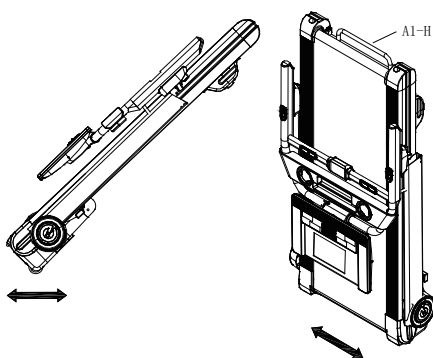
SCHRITT 3

Den rechteckigen Hebel B147 betätigen, um den automatischen Faltvorgang zu starten. Wenn dieser abgeschlossen ist, liegen Griffstangen und Konsole flach auf dem Laufdeck.



SCHRITT 4

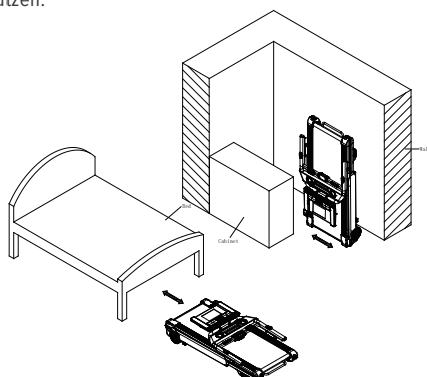
Zum Transportieren das Laufband von hinten anheben, um sicherzustellen, dass das schwerste Ende unten liegt.



SCHRITT 5

Empfehlungen zum Aufbewahren: Laufband zum Aufbewahren in stehender Position an eine Wand lehnen oder platzsparend unter ein Bett schieben.

Die Höhe des horizontal liegenden Laufbands beträgt 10,25 in (26 cm). Wenn unter Ihrem Bett weniger als 10,25 in (26 cm) Platz ist, versuchen Sie, den vertikalen Stauraum in Ihrer Wohnung zu nutzen.



BEIM AUFBEWAHREN DES LAUFBANDS IN AUFRECHT STEHENDER POSITION BITTE SICHERHEITSGURTE AN DER WAND ANBRINGEN, UM DAS LAUFBAND ZU SICHERN UND ES VOR DEM UMKIPPEN ZU SCHÜTZEN.

Verwenden Sie zum Installieren der Sicherheitsgurte die mitgelieferten Verankerungen und Schrauben. Bei Betonwänden zwei Löcher 0,315" (8 mm) mit einer Tiefe von 1,6" (40 mm) im Abstand von 32" (81 cm) in einer Höhe von 47,2" (120 cm) über dem Boden bohren.

HINWEIS: Bei Holzwänden zwei Wandbolzen im Abstand von 32" (81 cm) anbringen und entsprechende Löcher bohren. Schrauben ohne Verankerung eindrehen.

GERÄTEVERWENDUNG



Die Mitgliedschaft muss aktiviert werden, um das Echelon Stride-6s Laufband-Erlebnis freizuschalten

Aktivieren Sie die Echelon-Premier-Mitgliedschaft, um sich Kursen anzuschließen.

Nach dem Kauf dieses Produkts sollten Sie eine Aktivierungs-E-Mail erhalten haben.

- a. Folgen Sie dem Link in der Aktivierungs-E-Mail.
- b. Wählen Sie „Jetzt registrieren“ aus und folgen Sie den Anweisungen, um die Registrierung Ihrer Mitgliedschaft abzuschließen.

Verbindung mit der Echelon Fit® App herstellen

1. Achten Sie darauf, dass ihr Laufband und das Tablet (Bildschirm eingeschaltet sind).

- a. Das Stromkabel sollte in der Wandsteckdose und an der Basis des Laufband stecken.
- b. Stromschalter neben dem Laufbandstecker betätigen. In Stellung EIN leuchtet der Stromschalter rot.
- c. Es dauert einige Minuten, bis der Bildschirm vollständig hochgefahren und zum Registrieren bereit ist.

2. Echelon Fit®-App.

- a. Benutzen Sie hierfür die E-Mail und das Passwort, welche Sie zur Erstellung Ihres Mitgliedskontos verwendet haben.
- b. Wählen Sie „User“ (Benutzer). Möglicherweise gibt es nur eine Option.

3. Wählen Sie einen Kurs.

- a. Wir empfehlen Ihnen eine Begrüßungsrunde, aber jeder Kurs ist möglich.
- b. Drücken Sie auf Wiedergabe.

BEREICH FÜR TRAININGSDATEN

Anzeigebereich:

Geschwindigkeit

0.5 mph – 12.4 mph

Entfernung

0 millas – 99,9 millas (0 km – 99,9 km)

Zeit

0:00 – 99:59

Steigung

Nivel 0 – Nivel 12

Kalorien

0 Kcal – 9999 Kcal

PULS UND ENTFERNUNG:

Wenn keine Herzfrequenz gemessen wird, steht die beim Workout zurückgelegte Entfernung auf der Anzeige. Sobald das Signal der Herzfrequenz erkannt wird, schaltet die Anzeige alle 5 Sekunden zwischen „Distance“ (Entfernung) und „Pulse“ (Puls) um.

ZEIT UND KALORIEN:

Die Anzeige schaltet alle 5 Sekunden zwischen „Zeit“ und „Kalorien“ um. Die Zeit zeigt die Trainingsdauer an. Die Anzeige „Kalorien“ zeigt an, wie viele Kalorien beim Training verbrannt wurden.

STEIGUNG:

Steigungseinheit = 0 – 12 Stufen. Zeigt die aktuelle Steigungsstufe für das Training an.

GESCHWINDIGKEIT:

Zeigt die aktuelle Laufgeschwindigkeit des Trainings an.

DEFINITION DER EINSTELLTASTE**START/STOPP:**

Wenn das Laufband nicht aktiviert ist (im Status Stopp oder Pause), Taste „START/STOP“ drücken, um nach einem 3-sekündigen Countdown mit dem Training zu beginnen. Bei aktiviertem Laufband müssen Sie die Taste „START/STOPP“ 1 Mal drücken, um das Training vorübergehend anzuhalten (Pausenstatus). Die Geschwindigkeit wird auf null reduziert und die Steigung bleibt unverändert. Wenn sich das Gerät im Pausenstatus befindet, drücken Sie zur Beendigung des Trainings die Taste „START/ STOP“.

GESCHWINDIGKEIT-SCHNELLWAHL:

Für die Geschwindigkeits-Schnellwahl sind 10 Tasten vorgesehen: 3 mph, 4 mph, 5 mph, 6 mph, 7 mph, 8 mph, 9 mph, 10mph, 11 mph und 12 mph.

SCHNELLEINSTELLUNG DER STEIGUNG:

Für die Schnelleinstellung der Steigung sind 10 Tasten vorgesehen: Stufe 1, Stufe 2, Stufe 3, Stufe 4, Stufe 5, Stufe 6, Stufe 7, Stufe 8, Stufe 9 und Stufe 10.

LINKE GRIFFSTANGE:

Um zwischen den Funktionen Steigung und Lautstärke abzuwechseln, die Taste vor dem Rad drücken.

1. Steigung einstellen (Radlicht ist blau)
 - a. Rad vorwärts drehen, um die Steigung zu erhöhen.
 - b. Rad rückwärts drehen, um die Steigung zu reduzieren.
2. Lautstärke einstellen (Radlicht ist grün)
 - a. Rad vorwärtsdrehen, um die Lautstärke zu erhöhen.
 - b. Rad rückwärts drehen, um die Lautstärke zu reduzieren.

RECHTE GRIFFSTANGE:

Um zwischen den Geschwindigkeitseinstellungen 0,1 und 1,0 abzuwechseln, die Taste vor dem Rad drücken.

1. Geschwindigkeitseinstellung 0,1 (Radlicht ist blau)
 - a. Rad vorwärtsdrehen, um die Geschwindigkeit um 0,1 zu erhöhen.
 - b. Rad rückwärts drehen, um die Geschwindigkeit um 0,1 zu reduzieren.
2. Geschwindigkeitseinstellung 1,0 (Radlicht ist grün)
 - a. Rad vorwärtsdrehen, um die Geschwindigkeit um 1 zu erhöhen.
 - b. Rad rückwärts drehen, um die Geschwindigkeit um 1 zu reduzieren.

VENTILATOR:

Taste „EIN“ drücken, um den Ventilator einzuschalten. Taste „AUS“ drücken, um den Ventilator auszuschalten.

PRODUKTMERKMALE

Bei eingeschaltetem Gerät leuchtet alle Fenster des Displays für 2 Sekunden auf und es wird in den Standby-Modus geschaltet. Das Geschwindigkeit-Fenster (Speed) zeigt für 2 Sekunden die aktuelle Softwareversion an, bevor in den Standby-Modus geschaltet wird.

Um den „Manuellen Modus“ (Manual Mode) zu starten, den Sicherheitsschlüssel kräftig in die richtige Position einstecken und die Taste „START/STOP“ drücken. Die Konsole startet einen 3-sekündigen Countdown. Danach startet das Laufband mit der niedrigsten Geschwindigkeit von 0,8 km/h (0,5 mph). Zum Einstellen der „Geschwindigkeit“ oder der „Steigung“ die „Radschnelltaste für Geschwindigkeit“, bzw. die „Radschnelltaste für Steigung“, „Schnelleinstellung Geschwindigkeit bzw. Schnelleinstellung Steigung drücken. Um die Trainingssession zu beenden, drücken Sie „Stopp“ oder ziehen Sie den Sicherheitsschlüssel vollständig heraus.

PULS:

Um einen Puls zu erkennen, tragen Sie bitte einen Trainings-Herzfrequenzmonitor. Das Pulsfenster zeigt den gemessenen Pulswert an. WICHTIG: Der gemessene Pulswert ist nicht für medizinische Zwecke bestimmt.

RUHEMODUS:

Die Konsole schaltet in den „Ruhemodus“, wenn für mehr als 10 Minuten keine Aktivität ausgeführt wird. Drücken Sie eine beliebige Taste, um die Konsole aufzuwecken und das Training zu beginnen. Im Ruhemodus leuchtet der Touchscreen bei Berührung weiterhin auf.

SICHERHEITSSCHLÜSSEL:

Nach dem Herausziehen des Sicherheitsschlüssels werden alle Daten gelöscht und alle Fenster zeigen „---“ an. Alle Funktionen sind nur aufrufbar, solange der Sicherheitsschlüssel fest in der richtigen Position steckt. Achten Sie beim Training mit dem Laufband zu Ihrer eigenen Sicherheit darauf, den Sicherheitsschlüssel mit dem Haltebändchen an den festesten Teil Ihrer Kleidung anzustecken.

USB-LADEGERÄT:

Am Konsolengehäuse befindet sich ein USB-Ladegerät mit 5V- und 2A-Ausgang. Dies ist USB-A. Stecken Sie das Stromkabel und verbinden Sie es mit Ihrem Smartphone, um es aufzuladen.

BLUETOOTH AUDIO CONNECT:

Für den Anschluss der Heimtrainer-Lautsprecher zur Musik- oder Audio-Verstärkung.

BAND EINSTELLEN

1. Schwenken nach rechts

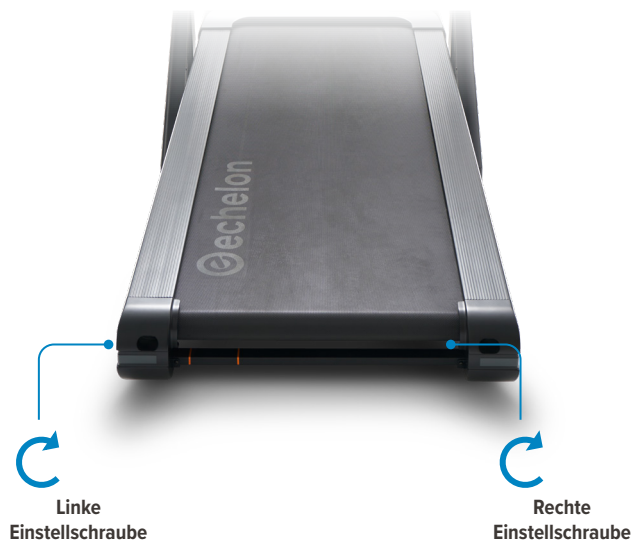
- Ziehen Sie den Sicherheitsschlüssel ab und schalten Sie das Gerät AUS.
- Drehen Sie die rechte Einstellschraube eine 1/4 Drehung im Uhrzeigersinn. Stecken Sie den Sicherheitsschlüssel wieder ein und schalten Sie das Gerät EIN.
- Starten Sie das Laufband (6–8 km/h / 3–4 mph) und beobachten Sie es.
- Wiederholen Sie die obigen Schritte **a–c**, bis das Laufband zentriert ist.

2. Schwenken nach links

- Ziehen Sie den Sicherheitsschlüssel ab und schalten Sie das Gerät AUS.
- Drehen Sie die linke Einstellschraube um eine 1/4 Drehung im Uhrzeigersinn. Stecken Sie den Sicherheitsschlüssel wieder ein und schalten Sie das Gerät EIN.
- Lassen Sie den Laufgurt laufen (6–8 km/h / 3–4 mph) und beobachten Sie ihn.
- Wiederholen Sie die obigen Schritte **a–c**, bis der Laufgurt zentriert ist.

3. Erhöhen der Laufgurtspannung

- Ziehen Sie den Sicherheitsschlüssel ab und schalten Sie das Gerät AUS.
- Drehen Sie die linke/rechte Einstellschraube eine 1/4 Drehung im Uhrzeigersinn. Stecken Sie den Sicherheitsschlüssel wieder ein und schalten Sie das Gerät EIN.
- Starten Sie das Laufband (6–8 km/h / 3–4 mph) und stellen Sie sich auf das Laufband, um die Spannung zu prüfen.
- Wiederholen Sie die obigen Schritte **a–c**, bis das Laufbandgurt angemessen gespannt ist.



BAND SCHMIEREN

Der Echelon Stride-6 muss im Rahmen der Routinewartung gemäß dem nachfolgend empfohlenen Schema geschmiert werden.

Leichte Beanspruchung	Mittlere Beanspruchung	Starke Beanspruchung
Einmal alle 60 Tage	Einmal alle 45 Tage	Einmal alle 30 Tage

- Wenn Sie das Deck in den oben empfohlenen Abständen geschmiert halten, stellen Sie sicher, dass Ihr Laufband es Ihnen mit der längstmöglichen Nutzungsdauer dankt.
- Bei Versäumnis, das Deck regelmäßig zu schmieren, kann Ihre Garantie nichtig sein.
- Wir empfehlen, die korrekte Schmierung jeden zweiten Monat mit der Hand zwischen Gurt und Deck zu überprüfen.

- Laufband ausschalten und das Stromkabel ziehen.
- Mit einem Inbusschlüssel (B) die hinteren Stellschrauben mit 5-10 Umdrehungen entgegen den Uhrzeigersinn lösen.
- Laufband anheben und Silikonöl im Zickzackmuster über das gesamte Laufdeck auftragen. 1/2 Flasche Silikonöl verwenden. Das Silikonöl NICHT oben auf das Laufband auftragen.
- Laufband flach legen und die hinteren Stellschrauben im Uhrzeigersinn um so viele Umdrehungen festziehen wie in Schritt 2 gelockert wurden.
- Nach dem Auftragen des Schmiermittels das Stromkabel und den Sicherheitsschlüssel einstecken und das Laufband einschalten.



PFLEGE & WARTUNG

Täglich

1. Schalten Sie das Laufband aus und reinigen Sie alle stark beanspruchten Bereiche, wie z. B. Haltestangen und Konsole, mit einem säurefreien Reinigungsmittel (KEIN Ammoniak, Chlor oder Alkohol) auf einem weichen Tuch. Sprühen Sie die Reinigungslösung nicht direkt auf das Laufband, dadurch könnten elektrische Komponenten beschädigt werden.
2. Untersuchen Sie das Netzkabel auf Beschädigungen. Falls es beschädigt ist, wenden Sie sich für den sofortigen Austausch an den Kundendienst. **Hinweis:** Ziehen Sie bei Nichtbenutzung des Laufbands den Netzstecker ab und bewahren Sie das Netzkabel an einem sicheren, trockenen Ort und außerhalb der Reichweite von Kindern auf.
3. Der Sicherheitsschlüssel sollte nach jeder Benutzung abgezogen werden, damit das Laufband nicht versehentlich eingeschaltet werden kann, während es nicht in Gebrauch ist.
4. Überprüfen Sie das Gerät auf Störgeräusche, die auf mögliche Probleme hinweisen könnten. Bitte kontaktiere den Kundendienst, falls Sie ein Störgeräusch feststellen.

Wöchentlich

1. Reinigen Sie den Laufgurt, die Konsole, die Stützen und die Motorabdeckung mit säurefreien Reinigungsmitteln und einem weichen Tuch. Die Reinigungsmittel sollten auf das Tuch aufgetragen und nicht direkt auf das Gerät gesprüht werden.
2. Überprüfen Sie alle angebrachten und vormontierten Teile und ziehen Sie diese bei Bedarf fest bzw. befestigen Sie sie wieder. Dies umfasst u. a. folgende Teile:
 - a. Haltestangen und Stützen
 - b. Konsole
 - c. Laufgurt
3. Saugen und entstauben Sie das Laufband sowie die Umgebung. Zur Reinigung des Unterseite des Laufbandes, schalten Sie das Gerät aus. Klappen Sie es zusammen und rollen es an einen anderen Ort. Bringen Sie das Laufband nach der Reinigung wieder an seinen ursprünglichen Ort zurück.
4. Achten Sie darauf, dass Ihre App und die Geräte-Software auf dem neuesten Stand sind.
5. Prüfen Sie, ob der Laufgurt locker ist. Falls er nicht richtig gestrafft ist, erhält das Laufband bei der Berechnung der Messwerte ungenaue Daten. Achten Sie beim Spannen darauf, beide Seiten der hinteren Rolle mit dem mitgelieferten Inbusschlüssel gleichmäßig einzustellen. Drehen Sie zum Erhöhen der Spannung im Uhrzeigersinn. Beim Anheben des Gurts sollte lediglich ein Spalt von 2 - 3" vorhanden sein. Ziehen Sie die Laufgurtrollen nicht um mehr als 10 volle Umdrehungen an, da dies die Komponenten des Laufbandes beschädigen könnte. Falls Sie vermuten, dass dies trotzdem der Fall sein könnte, arbeiten Sie in umgekehrter Richtung, zur Korrektur eines übermäßigen Anziehens. Falls diese Schritte das Problem nicht beheben, beziehen Sie sich bitte auf die Anweisungen zur Schmierung des Laufgurts oder kontaktieren Sie unseren Kundendienst für weitere Hilfestellungen.

Wöchentlich | 2-a



Monatlich

1. Überprüfen Sie die Ausrichtung des Laufgurts, indem Sie sicherstellen, dass er zentriert ist und leichtgängig über das Laufdeck gleitet. Fehlersuche und -behebung siehe Anweisungen in Ihrem Benutzerhandbuch zum „Nachzentrieren“ des Laufbands. Anweisungen zur Einstellung des Laufbands finden Sie auf Seite 87.
2. Starten Sie das Laufband bei niedriger Geschwindigkeit. Prüfen Sie, ob das Band durchrutscht, um sicherzustellen, dass der Motor das richtige Drehmoment aufbringt.
3. Falls Sie Reibegeräusche wahrnehmen, das Laufband nicht wie in den Anweisungen angegeben zentriert ist oder das Laufdeck beschädigt ist, stellen Sie die Nutzung des Laufbands ein und kontaktieren Sie den Kundendienst.

Echelon Fitness Kundendienst:

☎ (833) 937-2453 USA

+49 40 52592884 UK

✉ cs@echelonfit.com

CÓDIGOS DE ERROR Y SOLUCIÓN DE PROBLEMAS

FEHLERCODE	PROBLEME	LÖSUNGEN
E00	Keine Signalerkennung des Sicherheitsschlüssels durch die untere Steuerplatine	<ol style="list-style-type: none"> 1. Prüfen Sie, ob das Kabel des Sicherheitsschlüssels ordnungsgemäß an der unteren Steuerplatine angeschlossen ist. 2. Tauschen Sie es gegen ein neues Kabel für den Sicherheitsschlüssel aus.
E01	Verbindung zwischen „Leiterplatte“ und „unterer Steuerplatine“ ist fehlerhaft	<ol style="list-style-type: none"> 1. Prüfen Sie, ob alle Kabel zwischen der Leiterplatte und der unteren Steuerplatine ordnungsgemäß angeschlossen sind. 2. Prüfen Sie, ob eines der Kabel beschädigt ist. 3. Prüfen Sie, ob die Leiterplatte bzw. die untere Steuerplatine sich in einem gutem Zustand befinden. Falls ein Chip beschädigt ist, tauschen Sie die Leiterplatte oder die untere Steuerplatine aus.
E02	Überlastschutz	<ol style="list-style-type: none"> 1. Prüfen Sie, ob die Steckdose eine niedrige Spannung aufweist. Falls ja, wechseln Sie die Steckdose. 2. Prüfen Sie, ob die untere Steuerplatine verschmort riecht. Falls ja, ersetzen Sie die untere Steuerplatine. 3. Prüfen Sie, ob die mit dem Motor verbundenen Kabel ordnungsgemäß angeschlossen sind.
E03	Kein Signal vom Geschwindigkeitssensor	<ol style="list-style-type: none"> 1. Prüfen Sie, ob das Kabel des Geschwindigkeitssensors ordnungsgemäß angeschlossen ist. 2. Prüfen Sie, ob das Kabel oder der Geschwindigkeitssensor beschädigt sind. Falls ja, ersetzen Sie das Kabel und den Geschwindigkeitssensor.
E04	Schaden am Steigungsmotor	<p>Steigungskalibrierung durchführen</p> <ol style="list-style-type: none"> 1. Sicherheitsschlüssel entfernen. 2. Tasten „Start/Stop“ drücken und über 3 Sekunden lang gedrückt halten. 3. Nach Abschluss der Steigungskalibrierung ist das Laufband nochmals durch Einschalten und Drücken der Taste „Start“ zu testen.
E05	Überstromschutz	<ol style="list-style-type: none"> 1. Prüfen Sie, ob ein Teil des Motors sich verklemmt hat. Ziehen Sie das Stromkabel ab und justieren Sie den Motor. Stecken Sie das Stromkabel wieder ein und starten Sie das Laufband erneut. 2. Prüfen Sie, ob der Motor verbrannt riecht. Falls ja, ersetzen Sie den Motor. 3. Prüfen Sie, ob die untere Steuerplatine verschmort riecht. Falls ja, ersetzen Sie die untere Steuerplatine. 4. Prüfen Sie, ob die Steckdose eine niedrige Spannung aufweist. Falls ja, wechseln Sie die Steckdose.
E06	Fehler beim Selbsttest der Steuerung	<ol style="list-style-type: none"> 1. Prüfen Sie, ob die Motorkabel ordnungsgemäß angeschlossen und in gutem Zustand sind. 2. Prüfen Sie, ob der IGBT der unteren Steuerplatine verschmort riecht. Falls ja, ersetzen Sie die untere Steuerplatine. 3. Prüfen Sie, ob die Leiterplatte sich in einem gutem Zustand befindet.
E07	Parameter gehen verloren	Ersetzen Sie die untere Steuerplatine.
E08	EEPROM beschädigt (untere Steuerplatine)	Ersetzen Sie die untere Steuerplatine.
E09	Spannungsproblem oder IPM-Motor überhitzt	Ersetzen Sie die untere Steuerplatine.
EEP	EEPROM beschädigt (obere Steuerplatine)	Ersetzen Sie den Tastenplattensatz (obere Steuerplatine und Tastenplattform sind insgesamt angebracht).
KEIN CODE ANGEZEIGT	Motorschaden oder Beschädigung des Motorstromkreises	<ol style="list-style-type: none"> 1. Prüfen Sie, ob die mit dem Motor verbundenen Kabel ordnungsgemäß angeschlossen sind. 2. Prüfen Sie, ob die Sicherung der unteren Steuerplatine durchgebrannt ist. Falls ja, ersetzen Sie die untere Steuerplatine. 3. Prüfen Sie mit dem Multimeter, ob der IGBT der unteren Steuerplatine funktioniert. Falls ja, ersetzen Sie die untere Steuerplatine.

eechelon™

Who's working out today?



Christopher



Dick



Jenn



Shelly



Karen



Sign Out

00



0:00



Fragen oder Bedenken

Unsere Mitglieder haben für uns Priorität! Bitte kontaktieren Sie unseren Kundendienst, falls Sie Hilfe brauchen oder Bedenken haben.

☎ (833) 937-2453 USA
+49 40 52592884 UK

✉ cs@echelonfit.com

Eine Anfrage senden:



Garantieinformationen

Ihr Echelon Stride-6s Laufband beinhaltet 1 Jahr Garantie auf Herstellung und Verarbeitung. Im Garantiefall benötigen Sie lediglich den Kaufnachweis. Unser Kundendienst ist Ihnen gerne behilflich. Sie können die Garantiedauer durch den Kundendienst um weitere 1 bis 2 Jahre verlängern lassen.



MODELL: ECH-STRIDE-6s

ECHELON FITNESS MULTIMEDIA, LLC
605 CHESTNUT STREET, SUITE 700
CHATTANOOGA, TN 37450

EHELONFIT.COM

MODELL: ECH-STRIDE-6s

ECHELON FITNESS MULTIMEDIA, LLC.
27 OLD GLOUCESTER STREET
LONDON, UNITED KINGDOM, WC1N 3AX

EHELONFIT.UK



VOR DER BEDIENUNG DIE
ANWEISUNGEN LESEN

HERGESTELLT
IN CHINA

PATENT
BEANTRAGT

REV: 12082024