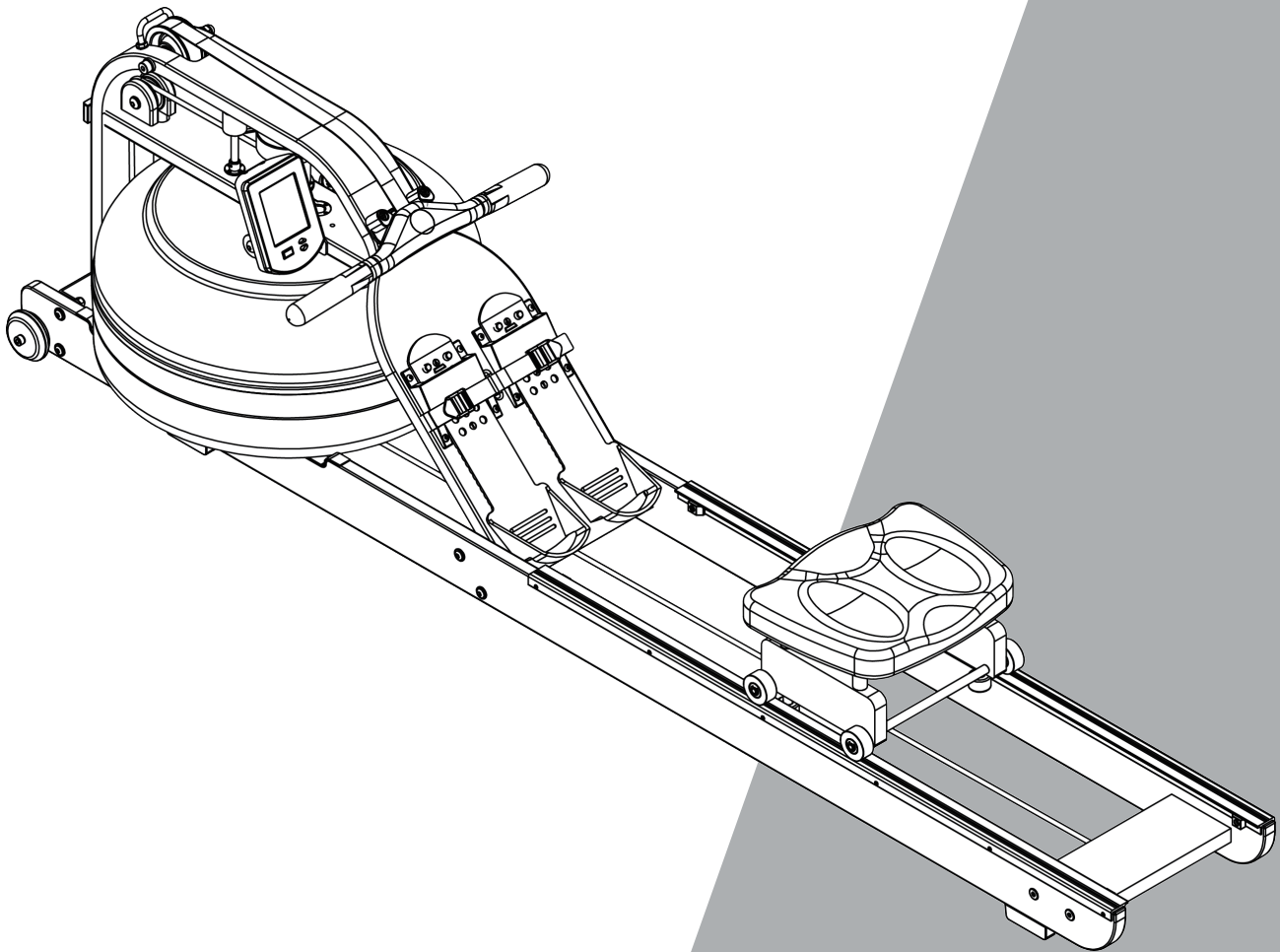




USER GUIDE

VIKING 3 XL
23FVK3X0W0



Featuring Patented Adjustable
Fluid Resistance Technology

WWW.FLUID-EU.COM

» Content

English

Introduction.....	2
Safety.....	3
Assembly.....	5
Rower Box 1 & 2 Contents.....	6
Assembly Instructions.....	7
Operation Instructions.....	10
Bluetooth Auto-Adjust Monitor.....	13
Calibration Procedure.....	13
Monitor and APP Connectivity.....	14
Bluetooth Heart Rate Pairing.....	14
Detaching the Rower Belt.....	14
Reattaching the Rower Belt.....	15
Maintenance.....	16
Troubleshooting.....	16
Storage Support Bracket Instructions.....	17
International Warranty.....	18

Deutsch

Einführung.....	19
Sicherheit.....	20
Aufbau.....	22
Inhalt der Rower Packung.....	23
Montageanweisungen.....	24
Bedienungsanweisungen.....	27
Bluetooth Auto-Adjust Monitor.....	30
Kalibrierung.....	30
Konnektivität für Konsole und APP.....	31
Bluetooth-Herzfrequenz koppeln.....	31
Abnehmen des Rudergurtes.....	31
Montieren des Rudergurtes.....	32
Wartung.....	33
Fehlerbehebung.....	33
Anweisungen zur Aufbewahrungsstützhalterung.....	34
Garantie.....	35

Nederlandse

Inleiding.....	36
Veiligheid.....	37
Assemblage.....	39
Inhoud van de roemachinedoos 1 en 2.....	40
Montage-instructies.....	41
Bedieningsinstructies.....	44
Automatisch aanpassende Bluetooth-monitor.....	47
Kalibratieprocedure.....	47
Connectiviteit van monitor en apps.....	48
Bluetooth-hartslagkoppeling.....	48
De aandrijfriem van de roeimachine losmaken.....	48
De riem van de roeimachine terugplaatsen.....	49
Onderhoud.....	50
Problemen oplossen.....	50
Installatie van optionele bevestiging.....	51
Internationale garantie.....	52

Français

Introduction.....	53
Sécurité.....	54
Assemblage.....	56
Contenu des boîtes 1 & 2 du rameur.....	57
Instructions de montage.....	58
Instructions d'utilisation.....	61
Moniteur à réglage automatique par Bluetooth.....	64
Procédure d'étalonnage.....	64
Connectivité moniteur et APP.....	65
Appairage de la fréquence cardiaque par Bluetooth.....	65
Détachement de la courroie du rameur.....	65
Remise en place de la courroie du rameur.....	66
Entretien.....	67
Dépannage.....	67
Installation d'accessoires en option.....	68
Garantie internationale.....	69

» Introduction

Congratulations on your purchase of the Rower.

FLUID is proud to present the Rower as home use product featuring patented Adjustable Fluid Resistance.

Our unique combination of precision steel and solid wood frames incorporate only the highest quality American Ash which is collected using the latest technology in sustainable harvesting from renewable plantations.

Note that slight variations of colour are normal and part of Mother nature's artistry. The wood grain patterns and subtle hues of each Rower makes every unit highly individual and designed to compliment any environment.

Follow all instructions carefully for correct assembly, Tank filling, Water Treatment, service and safety.

Access to our world-wide distributor and service network is available at

www.fluid-eu.com Check contents of Box 1 and 2 to ensure all parts are present and correct prior to assembly.

Training With the Rower

1. As with any piece of fitness equipment, consult a physician before beginning your Rower exercise program.
2. Follow instructions provided in this manual for correct foot position and basic rowing techniques.
3. For more detailed rowing techniques, please refer to our international website at www.fluid-eu.com

Safety

Safety Information

- Before using this product, it is essential to read this ENTIRE operation manual and ALL instructions. The Rower is intended for use solely in the manner described in this manual.
- UNDERSTANDING EACH AND EVERY WARNING TO THE FULLEST IS IMPORTANT
- As with any piece of fitness equipment, consult a physician before beginning your Rower exercise program.
- Please be aware that any fitness regime, before being undertaken, is best preceded by a physical checkup from a certified physician.
- Injuries to health may result from incorrect or excessive training.
- Stop the machine immediately if any signs of excessive wearing is present on the Belts, Pulleys and Bungee cords. Do not use unit until said parts are repaired or replaced.
- Do not allow children unattended access to the machine.
- The Rower can stand vertically for storage. When doing so, please follow the instructions given in the manual.
- If any of the adjustment devices are left projecting, they could interfere with the user's movement.
- Do not store in freezing conditions with water in the Tank as it can expand and crack the components.

Proper Usage

- Do not use any equipment in any way other than designed or intended by the manufacturer. It is imperative that Tunturi New Fitness BV equipment is used properly to avoid injury.
- Injuries may result if exercising improperly or excessively. It is recommended that all individuals consult a physician prior to commencing an exercise program. If at any time during exercise you feel faint, dizzy or experience pain, STOP EXERCISING and consult your physician.
- Keep body parts (hands, feet, hair, etc.), clothing and jewelry away from moving parts to avoid injury.
- Follow instructions provided in this manual for correct foot position and basic rowing techniques.
- For more detailed rowing techniques, please refer to our International website www.fluid-eu.com

Inspection

- DO NOT use or permit use of any equipment that is damaged and/or has worn or broken parts. For all FLUID equipment use only replacement parts supplied by FLUID.
- Cables and Belts pose an extreme liability if used when frayed. Always replace any cable or Belt at first sign of wear (consult FLUID if uncertain).
- EQUIPMENT MAINTENANCE - Preventative maintenance is the key to smooth operating equipment as well as to keep your liability to a minimum. Equipment needs to be inspected at regular intervals.
- Ensure that any person(s) making adjustments or performing maintenance or repair of any kind is qualified to do so.
- DO NOT ATTEMPT TO USE OR REPAIR ANY ACCESSORY APPROVED FOR USE WITH THE FLUID EQUIPMENT WHICH APPEARS TO BE DAMAGED OR WORN.
- Check all Belts, pulleys and bungee cords regularly for signs of wear, and replace if needed.
- Check regularly and follow all instructions for maintenance as specified in this manual.
- Replace immediately any defective parts and do not operate unit until all repairs are complete.

Safety

Operating Warnings

- Keep children away from the equipment. Parents or others supervising children must provide close supervision of children if the equipment is used in the presence of children.
- Do not allow users to wear loose fitting clothing or jewelry while using equipment. It is also recommended to have users secure long hair back and up to avoid contact with moving parts.
- All bystanders must stay clear of all users, moving parts and attached accessories and components while machine is in operation.
- **WARNING** Do not insert fingers into Tank!
- **CAUTION** After rowing exercise, please allow the unit to sit for 5 minutes before standing it up for storage.
- **CAUTION** Do not fill past the calibration mark as indicated on the Tank level sticker or water spillage can occur.
- **WARNING** Never operate this Rower without feet properly secured in Footstraps, or without the sliding portion of the Slider Footplate locked into position!

CAUTION

- Keep hands and fingers away from moving parts, as indicated in this manual.
- The Rower can stand vertically for storage. Make sure a secure location is chosen, such as the corner of a room or against a wall on an even, secure surface.
- It is recommended not to expose the machine to the direct sunlight. It may cause accelerated aging of the plastic material, reduce the life of the tank shell and even lead to deformation and rupture.

NOTE

If the storage area is not level, an additional fixture is required (sold separately) to keep the Rower stable with vertical storage position.

Assembly

Product Specifications

Product Class: HC

Braking System: Speed Independent

Product Net Weight: 34.180kg (75.34lb)

Product Gross Weight: 41.39kg (91.22lb)

Minimum Safe Operating Surface Area: 333cm (131.09") x 172cm (67.71")

Dimensions: 2130mm (83.86") Length x 540mm (21.26") Width x 560mm (22.04") Height

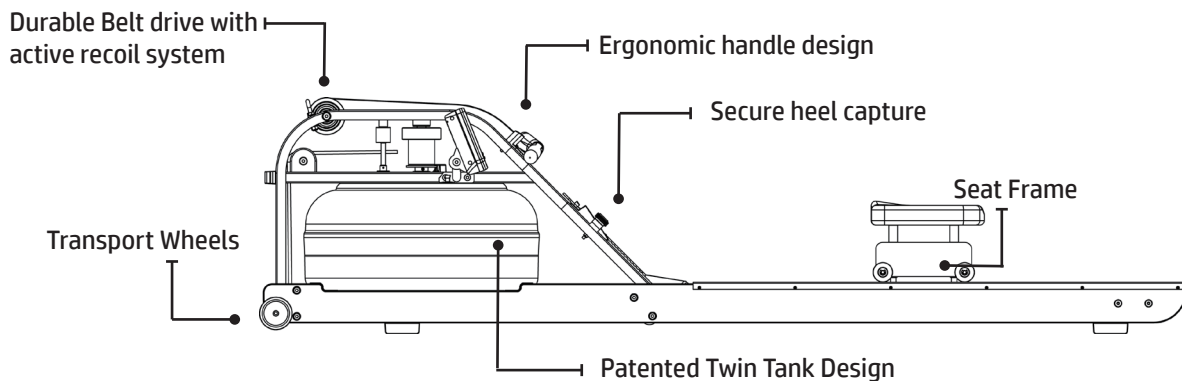
Maximum User Weight: 150kg (330lb)

Compact Footprint: 2130 x 540mm or upright 560 x 540mm

Installation

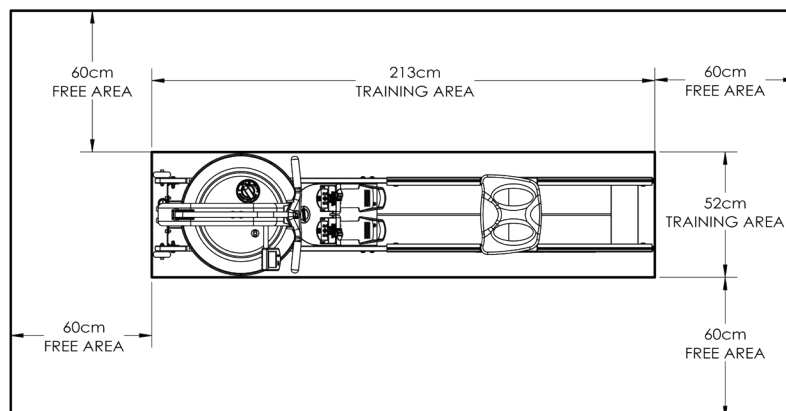
- Place on a stable, flat surface in a horizontal position during use for maximum stability.
- Check all Belts, pulleys and bungee cords regularly for signs of wear, and replace if needed.
- Check regularly and follow all instructions for maintenance as specified in this manual.
- Replace immediately any defective parts and do not operate unit until all repairs are complete.

Product Highlights



Live Area and Training Area

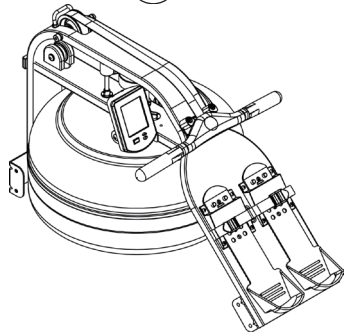
The live area shall be not less than 60cm (23.62") greater than the training area in the directions from which the equipment is accessed. The live area must also include the area for emergency dismount.



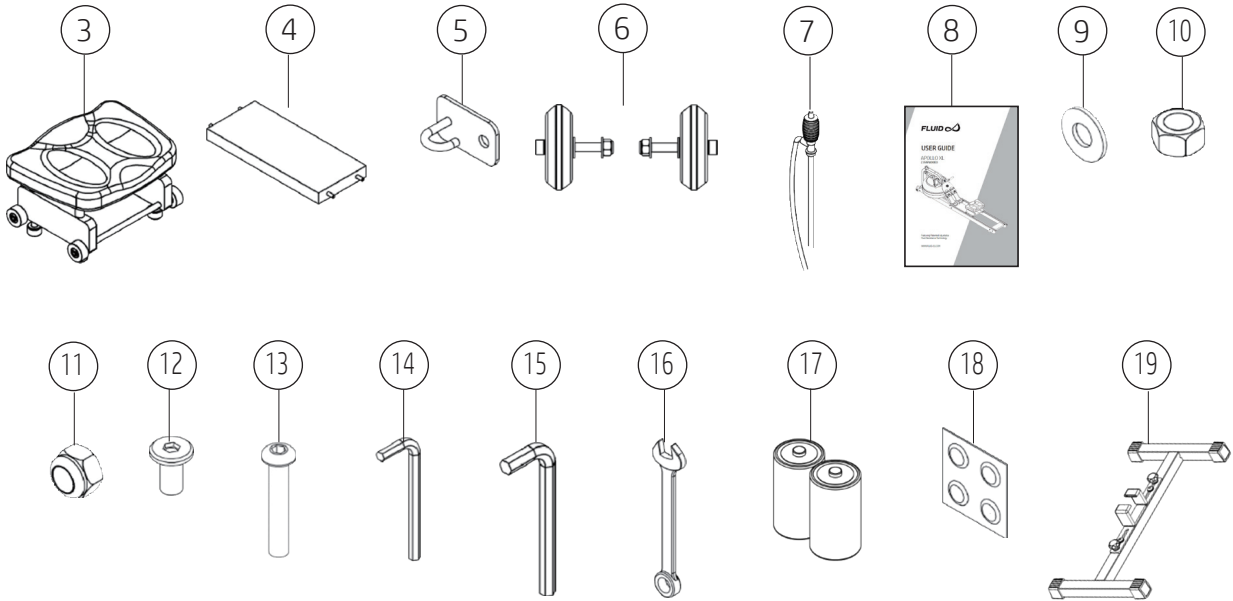
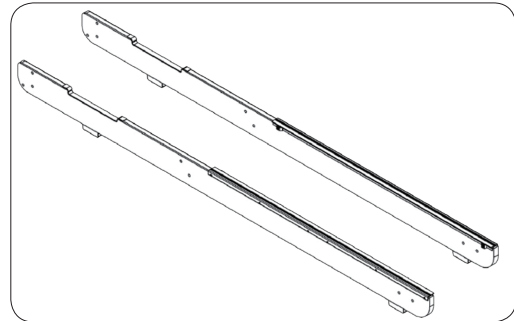
Note: Rower is not suitable for therapeutic purposes.

➤ Rower Box 1 & 2 Contents

① Box 1 Contents



② Box 2 Contents



Item	Qty.	Description	Item	Qty.	Description
1	1	Main Frame	5	1	Bungee Hook Mount
2	2	Left / Right Side Rail	6	2	Transport Wheel Assembly
3	1	Rower Seat	7	1	Siphon
4	1	Rear Brace	8	1	User Guide
Hardware KIT					
9	16	M8 Washer	14	1	5mm Allen Key
10	8	M8 Standard Nut	15	1	6mm Allen Key
11	8	M8 Nyloc Nut	16	1	13mm Spanner
12	4	M6x15mm Bolt	17	2	D Cell Battery
13	8	M8x45mm Bolt	18	4	Water Treatment Tablet
Optional Equipment (Not Included)					
19	1	Storage Support Bracket	21	1	Touch Heart Rate Handle
20	1	Elevate Kit	22	1	Smart Phone Holder

Assembly Instructions

STEP 1

Installing the Rear Brace and Transport Wheel Assembly to the Side Rails

REQUIRED

- Side Rail Left / Right [2]
- Rear Brace [4]
- Bungee Hook Mount [5]
- Transport Wheel Assembly [6]
- 4x M6x15mm Bolts [12]

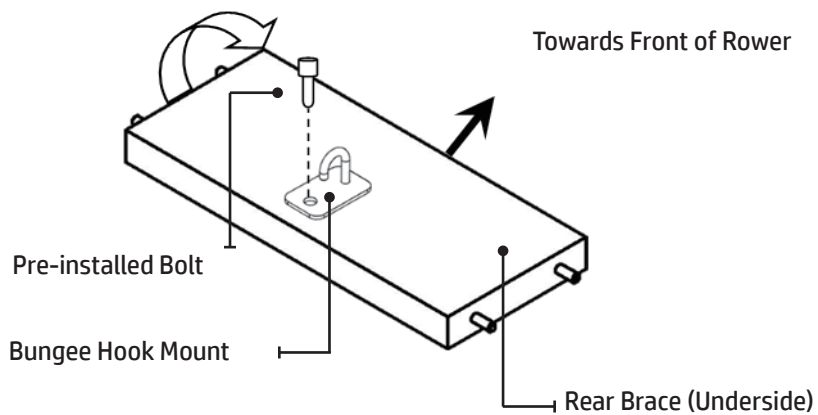
! WARNING

Rotate Rear Brace to correct orientation before assembly onto Side Rails

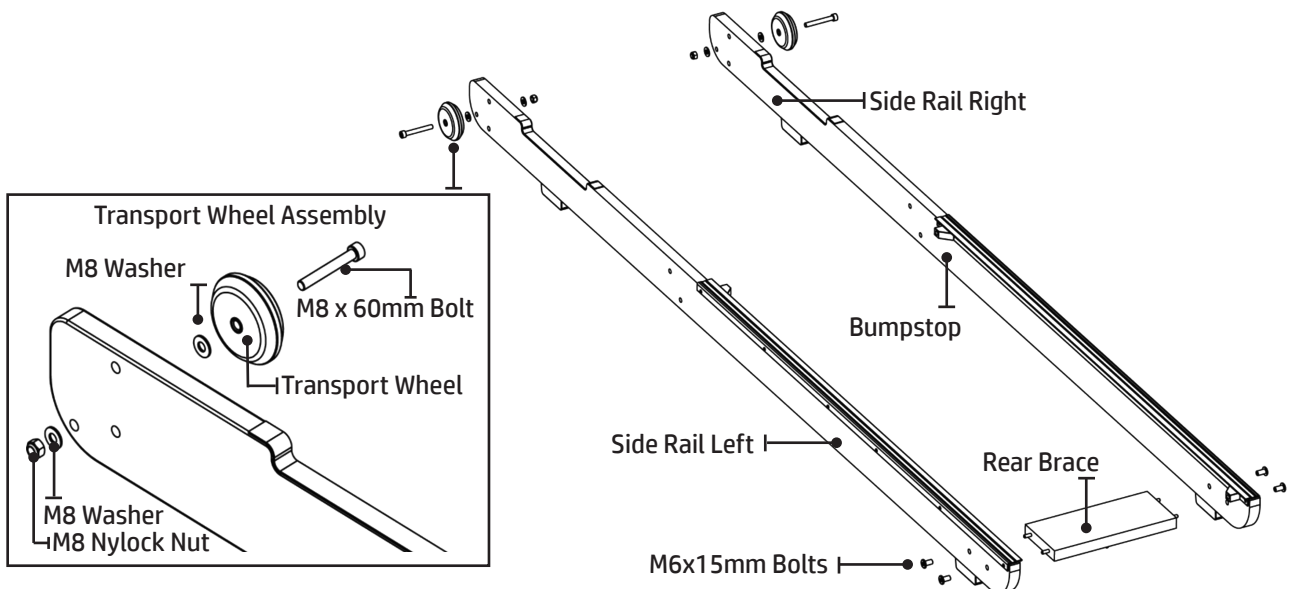
! NOTE

Transport Wheels must be mounted on the outside of Side Rails as shown below. Do not over tighten the Transport Wheel Axle as it may inhibit Transport Wheel rotation.

- A) Start with the Rear Brace and on the underside you will find a Pre-installed bolt. From the Hardware Kit, take the Bungee Hook Mount and install it onto the Rear Brace as shown. Note the orientation of the Brace and Hook must be correct in order to hold the end of the Bungee Shock Cord as depicted by the arrow in the illustration, which points toward the front of Rower.



- B) Next, connect the Side Rail Left and Side Rail Right[2] using 4x M6x15mm Bolts[12] and Rear Brace[4]. **DO NOT TIGHTEN.**
Tip: Bumpstops facing inside of rail for correct assembly orientation.
- C) Once the Rear Brace and Side Rails are assembled, mount the Transport Wheel Assembly[6] onto the Left/Right Side Rails[2].
Note: One Washer on outside and one Washer on the inside of the side rail.



Assembly Instructions

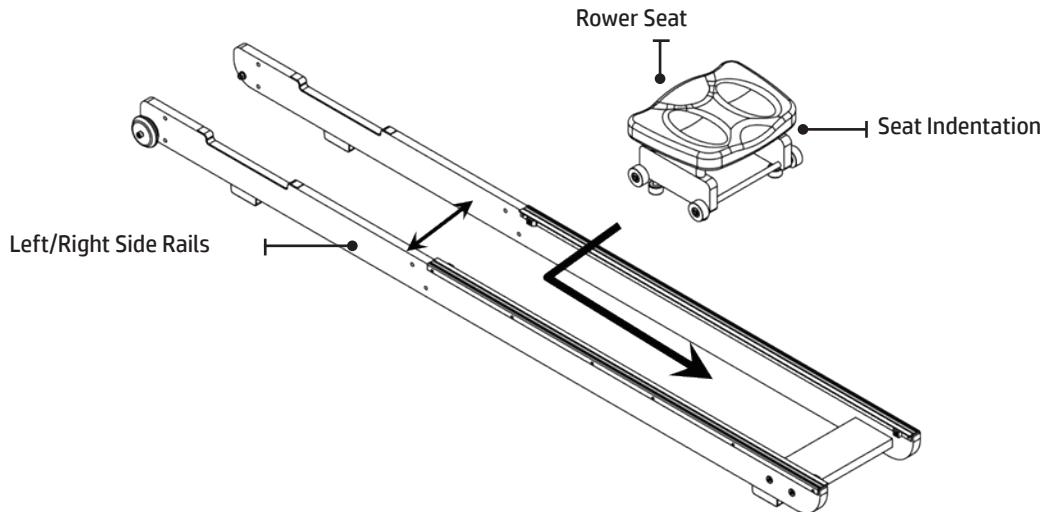
STEP 2 Mounting Rower Seat and Upper Main Frame

REQUIRED

- Left / Right Side Rail [2]
- Rower Seat [3]

To Install the Rower Seat, spread the Left/Right Side Rails[2] slightly and drop the Rower Seat[3] into the track.

Note: Seat Indentation must face rearward.



STEP 3 Mounting Rower Seat and Upper Main Frame

REQUIRED

- Main Frame [1]
- Side Rails Assembly [2]
- 16x M8 Washers [9]
- 8x M8 Standard Nuts [10]
- 8x M8 Nyloc Nuts [11]
- 8x M8x45mm Bolts [13]

Next, install the Main Frame[1] onto the Side Rail Assembly[2] as shown. You will need **8x M8x45mm Bolts[13], 16x M8 Washers[9], 8x M8 Standard Nuts[10] and 8x M8 Nyloc Nuts[11]**.

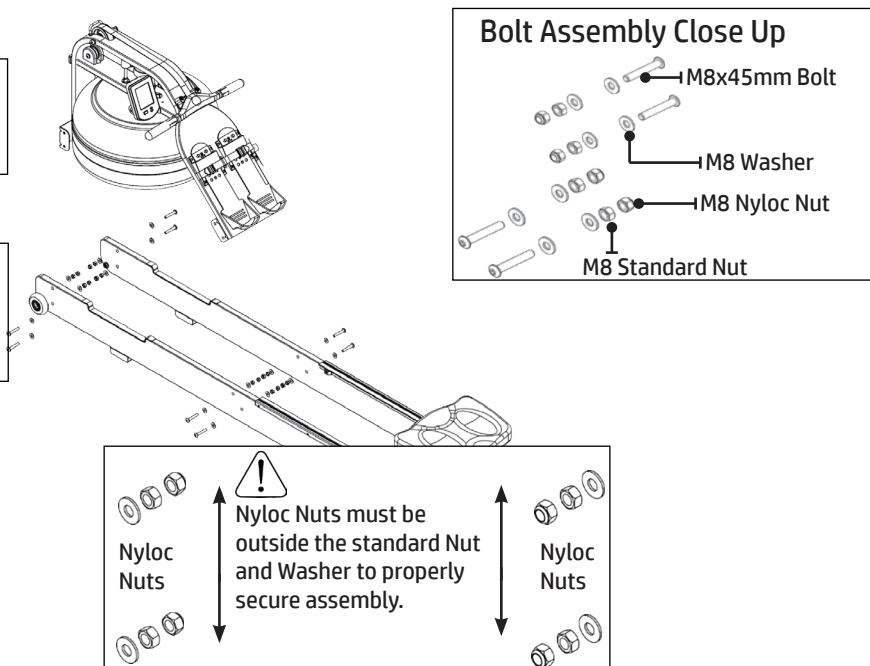
Secure the front Lower Bracket first, then the Footboard but **DO NOT TIGHTEN**. You may find that the Lower Bracket Bolts can be difficult to access. You can tighten these bolts completely once the Rower is standing in the vertical position so for the moment, simply align and loosely thread lower Bolts/Nuts.

CAUTION

Nyloc Nuts must be outside the standard Nut and Washer to properly secure assembly.

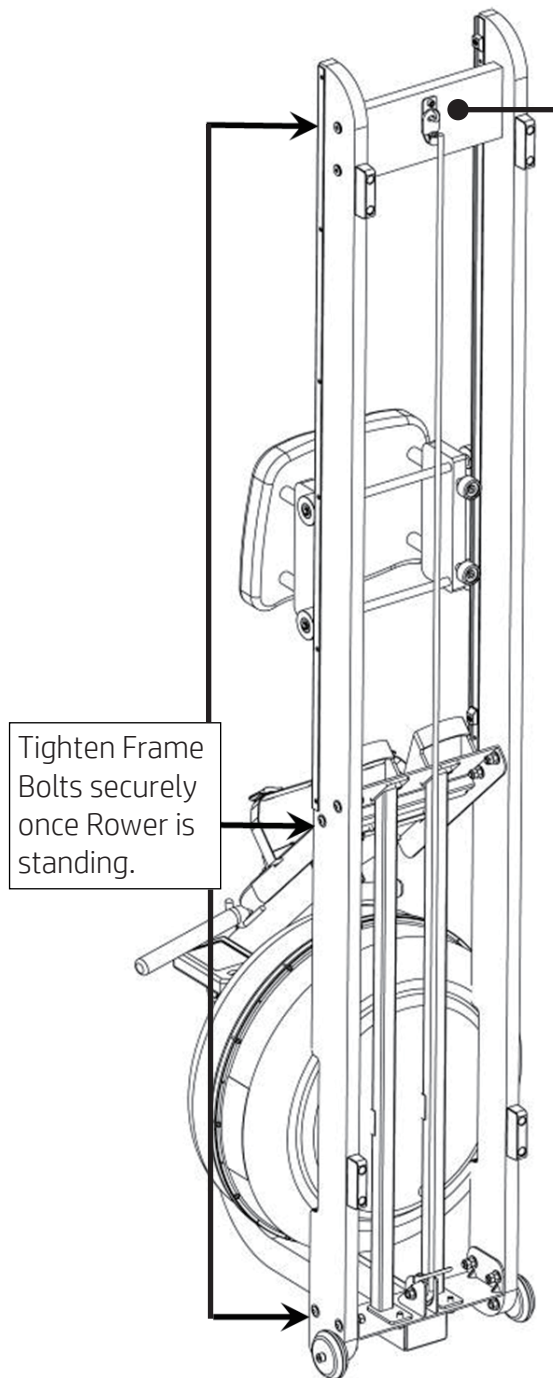
NOTE

Clean Wheels and tracks weekly with a soft dry cloth in order to decrease the rate of wear on both Wheels and track.



Assembly Instructions

STEP 4 Attach Bungee Cord And Completing the Rower Assembly



Pull Bungee Cord and Hook Bungee End onto the Bungee Hook Mount[5] as shown.



⚠ Do not cut Bungee tie wrap before Bungee cord is attached to rear of Rower as shown here.

Once the Bungee Cord is attached to the Rear Brace, tighten the Bolts holding the Footboard, the Main Frame to Side Rail Bolts as they are easier to access from the vertical position.

Lower the Rower back to the Horizontal position and test for proper bungee recoil.

Check Seat Rollers/Runners for dirt or debris before sitting on the Rower Seat. Small objects captured between the Seat Rollers and Runners can damage the Wheels or running surface. Check Runners for debris prior to each use and clean regularly.

Note: The Rower Frame Bolts require periodic checking for tightness. Do this at the end of the first month of use and again after every 12 months.

Choose a suitable location when standing the product for storage.

The Rower Frame can be polished with any high grade furniture polish to further highlight the rich luster of the wood finish.

Install supplied 2x D Cell Battery and check Monitor function. Details regarding can be found in the Monitor section of this manual.

Choose a flat, level surface on which to use your Rower, to avoid rocking and potential premature wear.

» Operation Instructions

Adjustable Resistance (AR) Tank

The adjustable resistance (AR) Tank, developed and patented by FLUID, offers a true multi-level experience. Water is moved between the "storage" and "active" chambers of the AR Tank. Your new rowing ergometer can adapt - at the turn of a dial - to the resistance preferred by each user.

Getting Started

To achieve minimum resistance, select "1" on the Tank adjuster. It takes 10 strokes to fill the central (storage) tank, leaving a minimal amount of water in the outer (active) tank. This process is always required if minimum resistance is desired. Row hard at a steady pace (20 to 25 strokes per minute [SPM]) and put some effort into the stroke, ensuring that good form is maintained. You can make adjustments to the resistance level while you row. Your AR Tank will adapt almost instantly to increases in resistance but will take up to 10 strokes to reduce the effort required, as the central (storage) Tank fills up.

Developing Your Routine

Once you have found a level that gives you the exercise required, changes can be made to SPM and to stroke intensity to further vary your energy input. Interval training is used by most Rowers, where a period of low intensity is combined with short intervals of high intensity. Your rowing ergometer allows for changes 'on the fly', to achieve multi-level resistance profiles during a single workout. For more information on exercise routines, please visit our website at www.fluid-eu.com

Tank Filling and Water Treatment Procedures

REQUIRED

Siphon [7]

⚠ CAUTION

Resistance adjuster must be set to LEVEL 10 to allow for accurate filling capacity.

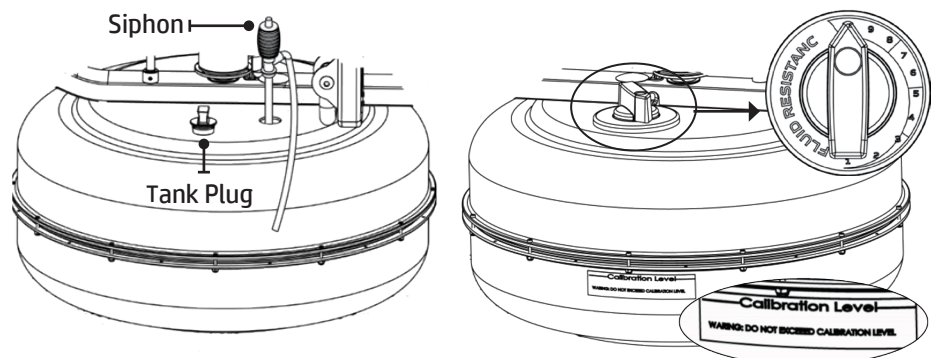
⚠ WARNING

Do not overfill the tank beyond the maximum indicated level of 17 liters. Refer to the Tank Level decal on the lower side of the tank.

⚠ NOTE

In areas where tap water quality is known to be poor, FLUID recommends the use of distilled water.

- A) Remove Tank Plug from the top of the Tank.
- B) Place a large bucket of water next to the Rower. Position the Siphon[7] with rigid hose in the bucket, and flexible hose in the Tank.
NOTE: Make sure small breather valve on siphon is closed before filling.
- C) Squeeze siphon to begin filling. Important: Do not overfill Tank.
- D) When full, open the valve on the top of the Siphon to allow excess water to escape.
- E) Once filling is completed follow the water treatment schedule below, then replace the Tank Plug.

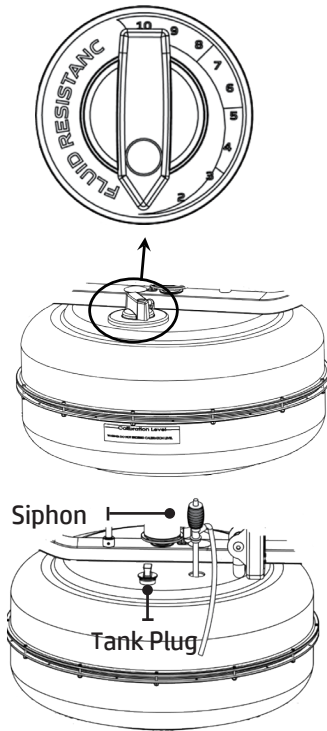


Level 1: This setting keeps a portion of the water in reserve creating light resistance.

Level 10 : This setting allows the maximum amount of water to reach the flywheel for heaviest resistance .

» Operation Instructions

Removing/Changing Tank Water



- A) Set Adjuster Knob to “1”
- B) Row at least ten strokes to fill the storage reservoir as completely as possible.
- C) Remove Tank Plug.
- D) Insert rigid end of siphon into the Tank, and flexible hose into a large bucket.
- E) Drain Tank (approx. 40% of water will remain) and then refill following directions for Tank filling as described in the Tank Filling section of this manual.

NOTE:

- The valve on top of the siphon must be closed to allow proper drainage.
- Water treatment will preclude the need to change tank water if the treatment schedule is maintained.
- Additional Water Treatment Tablet is required only when discoloration appears in the water.
- Exposure to full sunlight reduces the life of the Water Treatment Tablets. Storing the Rower away from direct sunlight will extend the time between water treatments.
- Approximately 40% of tank water will remain. It is not possible to completely drain the A/R tank without disassembly.

NOTE: For simple, fast and efficient filling and/or drainage of the Tank, we have a battery operated pump (rechargeable via USB) available as an option. We recommend this to any commercial facility, with multiple units, that has a need to drain and refill Tanks from time to time. To purchase, contact your nearest Tunturi New Fitness BV distributor or go to our website on www.fluid-eu.com for details.

⚠ CAUTION It is strongly recommended that a drop cloth be used under the Tank whenever the Tank Plug is opened for water treatment.

Initial Water Treatment

Add One Water Treatment Tablet per full Tank. DO NOT, UNDER ANY CIRCUMSTANCE, USE A WATER TREATMENT TABLET OTHER THAN THOSE SUPPLIED WITH YOUR UNIT.

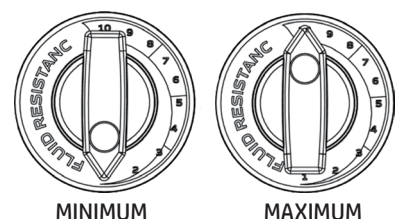
Your unit purchase includes 4xWater Treatment Tablets, which is sufficient for several years of use. The amount of time between water treatments can vary greatly depending on your unit’s location and exposure to sunlight. Typically you can expect to treat your Tank water every 12-24 months. If water becomes discolored or shows signs of algae / bacterial growth simply add one Water Treatment Tablet. To purchase additional Water Treatment Tablets, please consult your nearest regional dealer/distributor or check our website at www.fluid-eu.com

How to Adjust Resistance

Select your preferred Fluid Resistance.

NOTE: The Monitor level will automatically reflect the Fluid Resistance selected at the Tank.

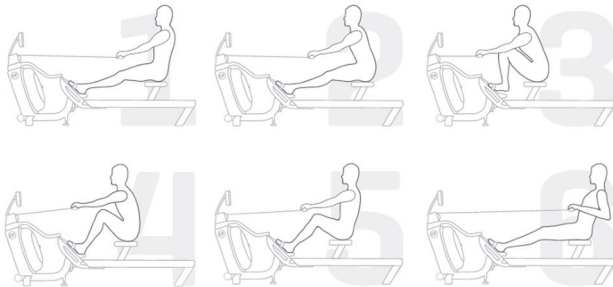
When adjusting resistance level, allow two strokes to feel an increase and ten strokes to feel a decrease.



» Operation Instructions

Start Rowing

There are six phases to completing a rowing stroke



1. Sit with straight legs and back, leaning forward slightly at the hips with arms out straight and hands level with the lower ribs. Swing back.
2. Legs and back straight, leaning slightly forward from the hips, arms out in front. Lean and slide forward.
Note: Hands should now be around your knees, keeping legs straight.
3. Legs come forward, aiming to get the shins vertical. Back is still straight, and posture leaning slightly forward with arms still out front. Now drive hard, this is the CATCH.
4. Knees partially straightened so seat is now at mid-point of travel, back and arms still straight. Maintain the stroke.
5. Knees are nearly straight, back is still straight but now leaning slightly back from the hips. Arms straight. Now squeeze through.
6. Legs now fully extended. Back straight and leaning slightly back, now pull with the arms so they are close to the chest, forearms horizontal and elbows close in to the rib cage. This is the FINISH.

For more information on correct rowing technique and workout tips visit our website www.fluid-eu.com

! **CAUTION:** Always consult a doctor before beginning an exercise program. Stop immediately if you feel faint or dizzy.

! **CAUTION:** Do not row to one side.

Adjust Footplates

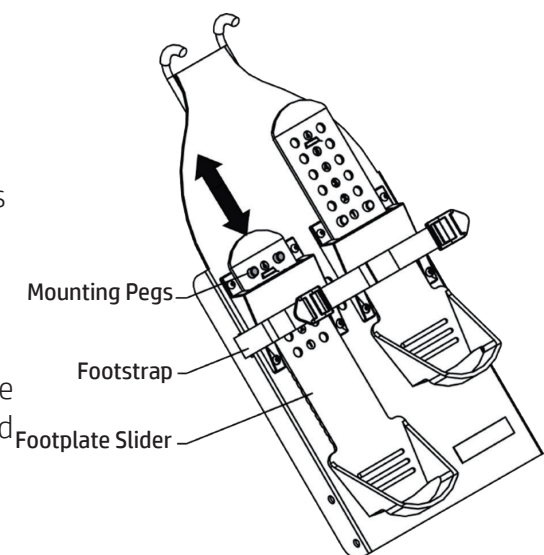
The Footplate Slider accommodates most foot sizes, and is designed to keep your feet securely in place as you row. The feet should be positioned so that the foot strap covers the section of the foot naturally bend as row. (e.g. The board of the foot)

TO ADJUST:

Lift the top of the Footplate from the mounting pegs and slide vertically between 1-6 to suit your foot length. Secure by hooking the Footplate back onto the mounting pegs and pushing down firmly to lock it into position. Place feet on the foot plates and tighten the Footstraps to ensure your feet sit firmly against the heel captures.

Note: The heel capture should bend to allow your foot to pivot naturally as you row.

! **WARNING:** Never operate this Rower without feet properly secured in Footstraps, or without the sliding portion of the Footplate Slider locked into position!

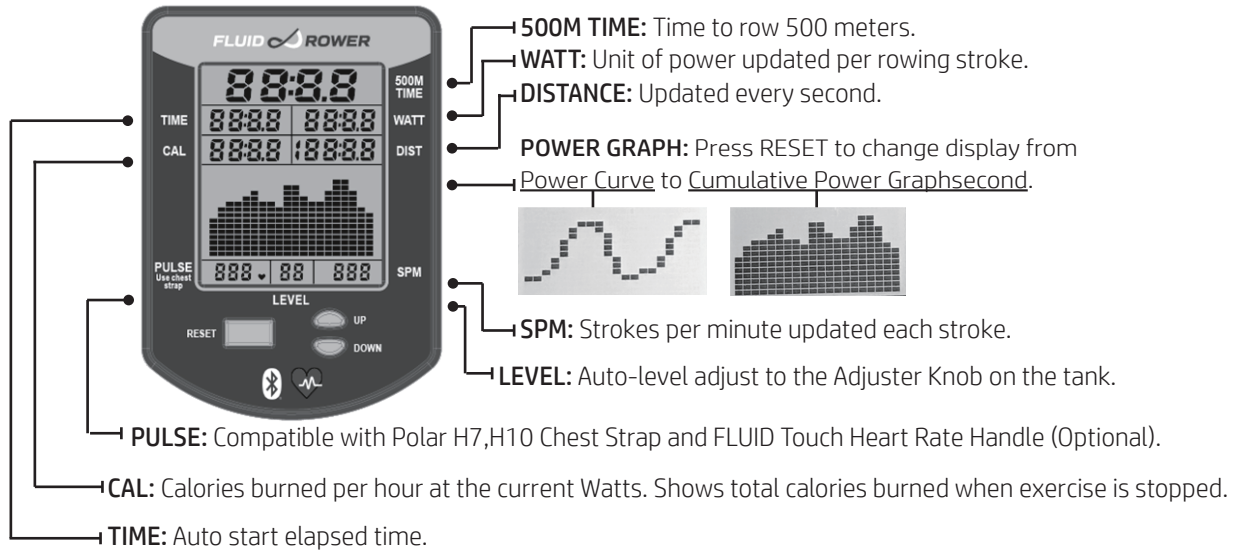


Bluetooth Auto-Adjust Monitor

Auto Start: Commence exercise to activate.

Reset all values: Press and hold RESET button for 3 seconds.

Auto Power Down: Over 5 minutes. All values revert to zero after restart.



WATT: Measures peak power in watts, calculating the strength and acceleration provided to accurately measure a user's power.

TRAINING DATA: Data gathered from each workout is displayed in a power curve and cumulative power graph, enabling real-time comparisons for effective progressive training.

AUTO ADJUST LEVEL: Built in potentiometer automatically adjusts the monitor's resistance level according to the position of the Adjuster Knob on the tank.

BLUETOOTH CONNECTIVITY: Each Rower is fitted with the most advanced Monitor technology, enabling Bluetooth connectivity with any compatible smart device. Designed to integrate with rowing and fitness apps, the Monitor will assist with effective training progression, capturing and comparing data for the competitive individual. Including FLUID Rowing APP available via FLUID Website. It is compatible with 3rd party APP and Software Update via Bluetooth.

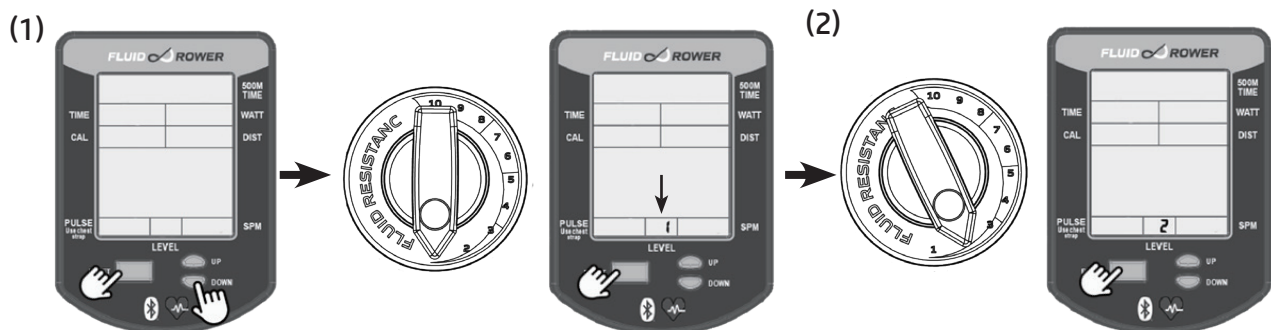
NOTE: Heart Rate Chest Strap and Touch Heart Rate Handle is sold separately.

BATTERY WARNING: To prevent batteries from leaking, remove them from the Monitor if you plan on not using the equipment for more than 30 days.

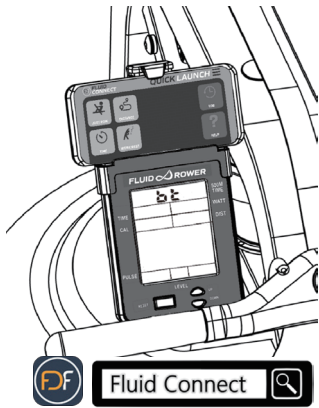
WARNING: Heart rate monitoring systems may be inaccurate, Over exercising may result in serious injury or death. If you feel faint stop exercising immediately and seek professional medical advice.

Calibration Procedure

- 1) Press and hold **Reset** and **Down** for 5 seconds. Display will show "Level 1"
Turn the Tank Handle to Level 1.
Press **Reset**. Display will now show Level 2. Level 1 Calibration is complete.
- 2) Turn the Tank Handle to Level 2. Press **Reset**.
Display will now show Level 3. Level 2 Calibration is complete.
- 3) Repeat for 3,4,5,6,7,8,9,10. Level 10 press **Reset**. Calibration is complete.



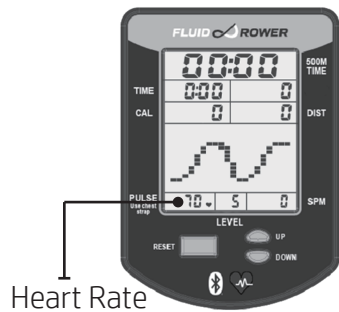
Monitor and APP Connectivity



1. Download the “Fluid Connect” App on the [App store] or [Google Play].
2. While the Monitor is ON, the Bluetooth will start scanning to link to the Phone/Pad.
3. Turn on the FLUID CONNECT app in you phone.
4. Push any work out icon, the APP will search the available Monitor near by.
5. Choose the Monitor that you wish to link.
6. After the Monitor link to the APP, the display of the Monitor will only show BT on the screen.

Bluetooth Heart Rate Pairing

NOTE: Heart Rate Chest Strap and Touch Heart Rate Handle is sold separately.

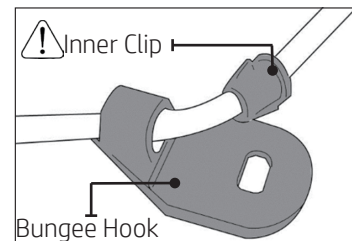


The Monitor will automatically pair with the nearest Bluetooth heart rate device.

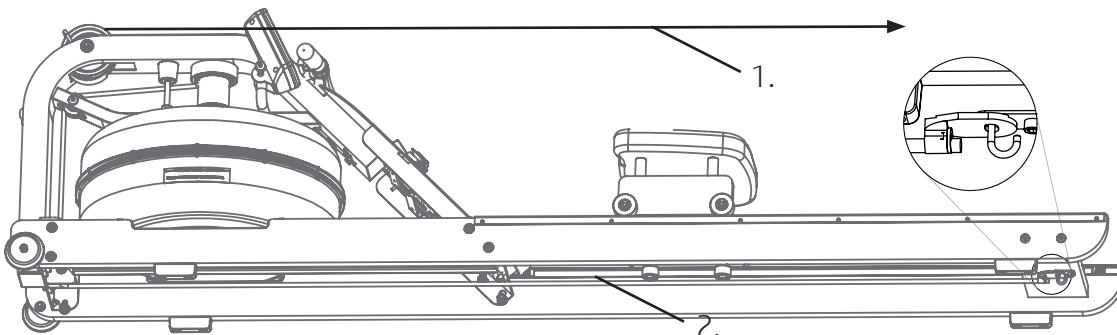
When pairing is complete, the Monitor will begin to display the heart rate.

Detaching the Rower Belt

1. To detach Belt, simply pull beyond the range of the normal rowing stroke until the Belt detaches from the Belt bungee pulley.
Tip: You'll hear the Velcro separating just before the Belt detaches.

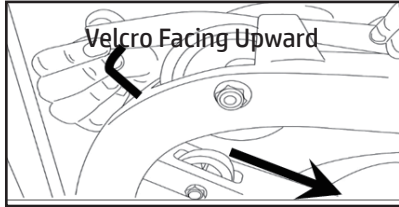


2. Unhook the Bungee Shock Cord from the Rear Brace. Then, push out the Inner Clip from the Bungee Hook. Pull the Bungee through the Inner Clip until free. This will allow for the Bungee Shock Cord to be threaded completely out of the Main Frame and up to the Belt Bungee Pulley where it will be re-attached once the Rower Belt is in the proper position.



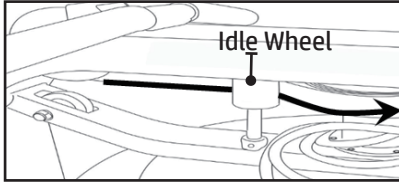
» Reattaching the Rower Belt

STEP 1



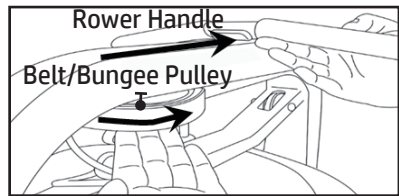
Begin reattaching the Rower Belt by threading around the Rower Belt Pulley with the Velcro side facing upward as illustrated.

STEP 2



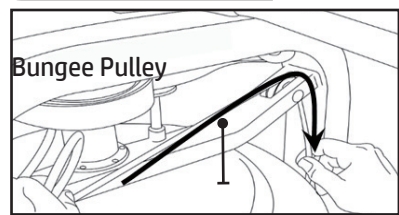
Next, thread the Belt around the Idle Wheel as shown. Once around the Idle Wheel, attach the Rower Belt to the Belt/Bungee Pulley. There is an obvious “lip” at the attachment point.

STEP 3



Wind the Rower Belt onto the Belt/Bungee Pulley until the Rower Handle is as it's furthest forward position.

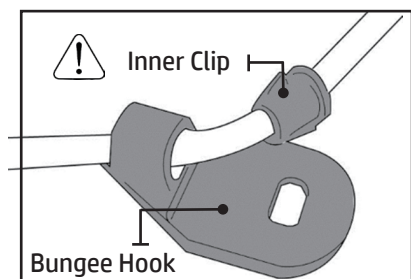
STEP 4



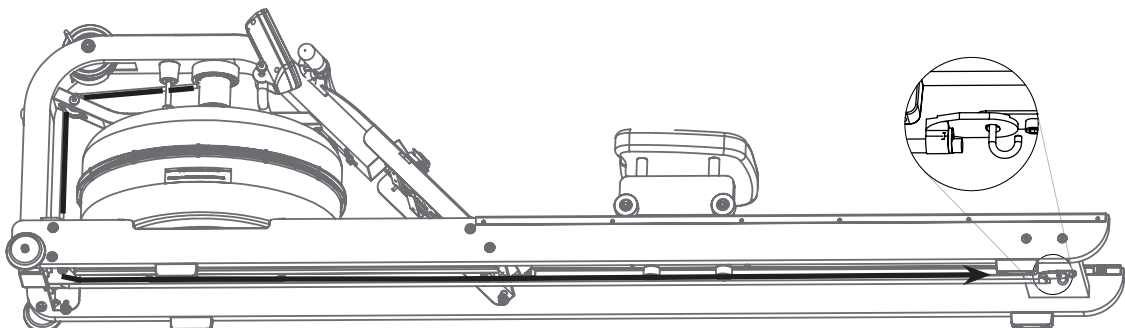
Rethread the Bungee Shock Cord (on opposite side of the Idle Wheel) back through the Bungee Pulleys and tie off at the Attachment Point.

STEP 5 Reattaching the Rower Belt

Recoil tension will decrease over time as the Bungee Shock Cord stretches. To increase recoil tension, simply push the Inner Clip out of the Bungee Hook from behind, pull the required amount of Bungee through the Inner Clip and replace the Inner Clip into the Bungee Hook as shown below.



Hint: Before reattaching the Inner Clip/Bungee Hook, tie a slip knot under slight tension at the Lower Bungee Pulley. This will keep the Bungee under tension while reassembling the Bungee Hook.



» Maintenance

All preventive maintenance activities must be performed on a regular basis. Performing routine preventive maintenance actions can aid in providing safe, trouble-free operation of all Tunturi New Fitness BV equipment.

Tunturi New Fitness BV is not responsible for performing regular inspection and maintenance actions for your machines. Instruct all personnel in equipment inspection and maintenance actions and also in accident reporting and recording.

⚠ CAUTION Wipe and clean the Tank, Rails, and the Seat Wheels with clean water.
Do not use any chemical cleaner.

Item	Time Frame	Instructions
Seat Rails and Wheels	Weekly	Wipe down Side Rails and Seat Wheels with lint free cloth.
Frame	Weekly	Wipe down Frame with lint free cloth.
Tank Shell	Weekly	Only use water and a clean cloth to wipe the Tank Shell. Do NOT use any chemical cleaner to wipe the Tank Shell
Tank and Water Treatment	12 months to 2 years	Follow instructions as specified in the "Water Treatment Procedure" section of this manual.
Bungee Cord	Check every hundred hours for correct tension and for signs of wear.	The Bungee Cord should last for many years. If a Bungee Cord change is required, please contact your local service representative or go online at www.fluid-eu.com for further details.
Rowing Belt	Check every hundred hours for correct tension and for signs of wear.	The Rowing Belt should provide many years of trouble free use. If a Rowing Belt change is required, please contact your local service representative or go online at www.fluid-eu.com for further details.

» Troubleshooting

Fault	Probable Cause	Solution
Water changes color or becomes cloudy.	Rower is in direct sunlight or has not had water treatment. Local tap water is of poor quality.	Change Rower location to reduce direct exposure to sunlight. Add Water Treatment or change Tank water as directed in the Water Treatment section of this manual. Consider using distilled water to refill Tank.
Rower Belt slipping off Belt/ Bungee Pulley.	Bungee not under enough tension. Recoil not strong enough.	Tighten Bungee Cord following the instructions in "Reattaching the Rower Belt" section of this manual at "Step 5".
Inconsistent readings on the Monitor for 500meter split time and SPM (strokes per minute).	Sensor gap Faulty Sensor Sensor has moved out of position Wiring harness	Use the battery cover of the Monitor as a "Gap Tool" to check the gap between Sensor Head and Magnetic Ring, or see if the Sensor Head has moved out of position. Please contact your nearest FLUID customer service center for details.
The Monitor does not illuminate after battery installation.	Batteries installed incorrectly or need replacing.	Replace/reinstall batteries in correct position and try again. If the LCD screen fails to illuminate, try rotating the batteries slightly in the Monitor. If this fails, contact your local service center.
The Monitor screen illuminates, but does not register when rowing.	Loose or failed connection. Sensor gap too wide	Check that the Monitor lead is connected properly. If it is connected then contact your local service center. Check Sensor gap.
The Monitor LEVEL is not synchronized with the Tank LEVEL.	Monitor LEVEL needs to be recalibrated.	Please refer to "Calibration Procedure" page 13 of this manual.

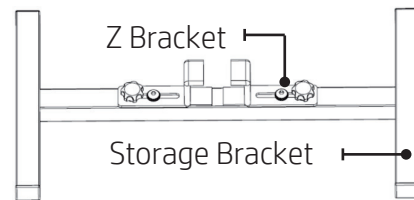
» Storage Support Bracket Instructions

A Storage Support Bracket Kit for upright storage can be purchased separately.

STEP 1

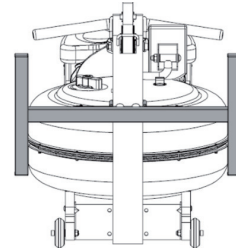
Install the Z Bracket onto the Storage Base.

Note: Do not tighten the Knob and the Bolt.



STEP 2

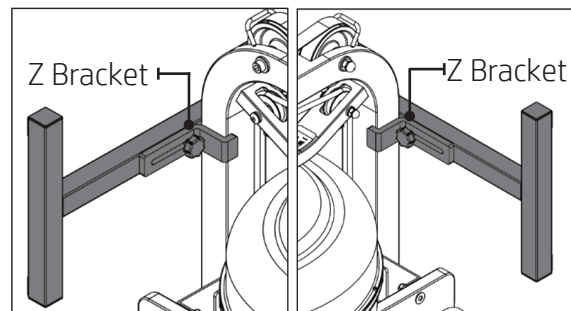
Install the Bracket onto the Rower as shown.



STEP 3

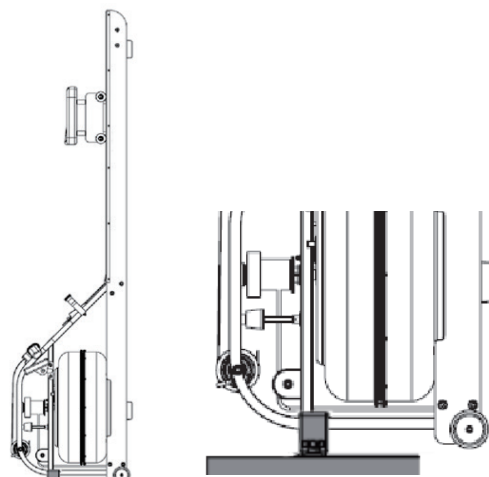
Tighten the Z Bracket Knob to fix to the Rower.

Note: Ensure the Z Bracket is Under the middle crossbar secure



STEP 4

Stand the Rower up vertically with the main frame on the floor. Using the 8mm Allen Wrench tighten the Bolts.



International Warranty

HOME USE

Tunturi New Fitness BV warrants that the **VIKING 3 XL(model VK3X)**, purchased from an authorized agent and in its undamaged original packaging, is free from defects in materials and workmanship. Tunturi New Fitness BV or its agent will, at their discretion, repair or replace parts that become defective within the warranty period, subject to the specific inclusions and exclusions below.

Main Frame – 10 Year Limited Warranty

Tunturi New Fitness BV will repair or replace the Metal Main Frame of the Rower should it fail due to any defect in materials or workmanship within 10 years of the original purchase. Warranty does not apply to frame coating.

Polycarbonate Tank & Seals – 5 Year Limited Warranty

Tunturi New Fitness BV will repair or replace the polycarbonate Tank or seals should they fail due to any defect in materials or workmanship within 5 years of the original purchase.

Mechanical Components (of a non-wearing nature) – 2 Year Limited Warranty

Tunturi New Fitness BV will repair or replace any mechanical component should it fail due to any defect in materials or workmanship within 2 years of the original purchase.

Specific Inclusions

- Seat Frame
- Seat Rails
- Shaft and Impeller Assembly

All Other Components (of a wearing nature) – 2 Year Limited Warranty

Tunturi New Fitness BV will repair or replace any component should it fail due to any defect in materials or workmanship within 2 year of the original purchase.

Specific Inclusions

- Bungee Recoil Cord
- Hand Grips & Footstraps
- Polyester Rowing Belt
- Seat and Seat Runners
- All Pulleys, Rollers & Bearings
- All rubber components
- Monitor & Speed Sensor (excluding replaceable batteries)
- Footplates (pivoting & sliding)

General Exclusions

- Damage to the finish of any part of the machine
- Damage due to neglect, abuse, incorrect assembly or use of the machine
- Any charges for freight or customs clearance associated with the return or dispatch of parts
- Any damage to or loss of goods during transport of any kind
- Any labour cost associated with a warranty claim

General Conditions

- The serial number of the machine must be correctly registered with Tunturi New Fitness BV or one of its appointed distributors
- Tunturi New Fitness BV reserve the right to examine any part where replacement is claimed under warranty
- Warranty period applies only to the original purchaser from the date of purchase and is not transferable
- The product must be returned to your place of purchase in original packaging with transportation, insurance and associated charges paid for by you and risk of loss or damage assumed by you
- Tunturi New Fitness BV makes no other warranties except as stated here and expressly disclaims all warranties not stated in this warranty. Neither Tunturi New Fitness BV nor its associates shall be responsible for incidental or consequential damages
- Manufacturer's warranty automatically commences upon sale of the product to end user or upon the expiration of one (1) year from month of manufacture, whichever occurs first

» Einführung

Glückwunsch zum Kauf ihres Rower Rudergerät.

FLUID ist stolz Ihnen den Rower als einen Teil einer exklusiven Reihen von Produkten für den heim und den kommerziellen Gebrauch welche alle die patentierte einstellbare Flüssigkeitswiderstandstechnologie verwenden.

Unsere einzigartige Kombination aus Präzisionsstahl und Holzrahmen welche nur die aller beste Qualität von Amerikanischer Esche verwenden, gefällt und gewachsen mit Hilfe der neuesten Technologien für nachhaltige Bewirtschaftung und kommrn nur aus erneuerbaren Nutzwäldern.

Beachten Sie bitte das leichte unterschiede in der Farbgebung der hölzernen Seitenschiene sowie der Querstreben bei Sitz und Hauptrahmen normal sind und einfach auf das natürlich Wachstum zurück zu führen sind. Die Künstlerhand von Mutter Natur macht mit leichten Veränderungen der Maserung und Farbe jeden einzelnen Rower einzigartig und ist entworfen um sich in jede Umgebung nahtlos einzufügen.

Bitte befolgen sie die Anweisungen genau um sicher zu stellen, das sie einen korrekten Zusammenbau, die richtige Tankbefüllung, die richtige Wasserbehandlung sowie für die korrekte Wartung ausführen und die Sicherheitshinweise eingehalten werden. Zugang zu unserem weltweiten Vertriebs – und Servicenetzwerk können mittels unserer Webpage unter www.fluid-eu.com erhalten. Überprüfen Sie den Inhalt der Verpackung 1 und Verpackung 2 um sicher zu gehen, dass alle Teile vorhanden sind und korrekt sind bevor Sie mit dem Zusammenbau beginnen.

Trainieren mit dem Rower

1. Wie bei jedem Fitnessgerät sollten Sie vor dem Trainingsbeginn mit Ihrem Rower Ihren Arzt kontaktieren. Follow instructions provided in this manual for correct foot position and basic rowing techniques.
2. Folgen Sie den Anweisungen in dieser Bedienungsanleitung in Bezug auf die korrekte Fußposition und die grundlegende Rudertechnik.
3. Eine detaillierte Beschreibung von Rudertechniken finden Sie auf unserer internationalen Internetseite unter www.fluid-eu.com

» Sicherheit

Sicherheitsinformationen

- Bitte lesen Sie vor der Benutzung dieses Geräts unbedingt das GESAMTE Benutzerhandbuch und ALLE Anweisungen durch. Das Rower ist ausschließlich für Verwendung gemäß der Beschreibung in diesem Handbuch vorgesehen.
- ALLE WARNHINWEISE MÜSSEN VOLLSTÄNDIG VERSTANDEN WERDEN.
- Wir empfehlen allen Benutzern von Rower Trainingsgeräten, vor dem Gebrauch folgende Informationen zu beachten.
- Wie für jedes andere Fitnessgerät gilt: Lassen Sie sich vor Beginn des Trainings mit dem Rower medizinisch untersuchen.
- Falsches oder übermäßiges Training kann zu Verletzungen oder Gesundheitsproblemen führen..
- Bei Zeichen von Verschleiß an den Riemen, Scheiben oder Gummiseilen muss das Gerät sofort angehalten werden. Es darf erst wieder verwendet werden, wenn die entsprechenden Teile repariert oder ausgetauscht wurden.
- Kinder dürfen sich nicht unbeaufsichtigt in der Nähe des Gerät aufhalten.
- Der Rower kann aufrecht aufbewahrt werden. Befolgen Sie dazu die Anweisungen im Kapitel „Grundlegende Vorgehensweisen“ in diesem Handbuch.
- Wenn Einstellungshilfen aus dem Gerät herausragen, können sie die Bewegung des Benutzers beeinträchtigen.
- Das Gerät darf bei gefülltem Tank nicht unter dem Gefrierpunkt aufbewahrt werden. Das Wasser dehnt sich aus, wodurch Komponenten beschädigt werden können.

Richtige Verwendung

- Das Gerät dar keinesfalls zweckentfremdet werden. Es ist unter Beachtung der Rower Herstelleranweisungen zu benutzen, um Verletzungen zu vermeiden.
- Falsches oder übermäßiges Training kann zu Verletzungen führen. Konsultieren Sie vor Beginn eines Trainingsprogramms einen Arzt. Wenn beim Training Schwäche, Schwindelgefühl oder Schmerzen auftreten, brechen Sie das Training SOFORT ab, und konsultieren Sie einen Arzt.
- Halten Sie Körperteile (Hände, Füße, Haare usw.), Bekleidung und Schmuck von beweglichen Teilen fern, um Verletzungen zu vermeiden.
- Befolgen Sie im Hinblick auf die korrekte Fußhaltung und die grundlegende Rudertechnik die Anweisungen in diesem Handbuch.
- Weitere Hinweise zur Rudertechnik finden Sie auf unserer internationalen Website.
www.fluid-eu.com

Inspektion

- Geräte, die beschädigt sind und/oder an denen Teile verschlissen oder gebrochen sind, dürfen nicht benutzt werden. Verwenden Sie für alle Rower-Geräte ausschließlich Rower-Ersatzteile.
- Ausgefrante Seilzüge und Riemen stellen ein großes Verletzungsrisiko dar. Tauschen Sie Seilzüge oder Riemen stets beim ersten Anzeichen von Verschleiß aus (bei Fragen hierzu wenden Sie sich bitte an Rower).
- GERÄTEWARTUNG - Dieses Gerät muss vorbeugend gewartet werden, um den ordnungsgemäßen Betrieb sicherzustellen und das Verletzungsrisiko zu minimieren. Das Gerät muss regelmäßig untersucht werden.
- Stellen Sie sicher, dass Einstellungs-, Wartungs- oder Reparaturarbeiten ausschließlich von qualifizierten Personen durchgeführt werden.
- VERWENDEN SIE KEIN ZUBEHÖR, DAS ZWAR FÜR DIE VERWENDUNG MIT ROWER GERÄTEN ZUGELASSEN, ABER OFFENSICHTLICH BESCHÄDIGT ODER VERSCHLISSEN IST.

Sicherheit

- Überprüfen Sie alle Riemen, Scheiben und Gummiseile regelmäßig auf Zeichen von Verschleiß und tauschen Sie sie gegebenenfalls aus.
- Warten Sie das Gerät regelmäßig gemäß der Anweisungen in diesem Handbuch.
- Tauschen Sie defekte Teile umgehend aus und verwenden Sie das Gerät erst wieder, wenn alle Reparaturarbeiten abgeschlossen sind.

Warnhinweise für die Bedienung

- Kinder vom Rower Gerät fern halten. Eltern oder andere Personen, die mit der Beaufsichtigung von Kindern betraut wurden, müssen Kinder stets im Auge haben, wenn das Gerät in der Gegenwart von Kindern benutzt wird.
- Benutzer des Geräts dürfen keine locker sitzende Bekleidung oder Schmuck tragen. Außerdem sollten Benutzer lange Haare zurückbinden und den Kontakt mit sich bewegenden Teilen vermeiden.
- Alle umstehenden Personen müssen sich fern von Personen, beweglichen Teilen und befestigtem/n Zubehör und Komponenten halten, während die Maschine benutzt wird.
- **WARNUNG** Stecken Sie Ihre Finger nicht in den Tank!
- **VORSICHT** Nach dem Rudern Übung, lassen Sie bitte das Gerät für 5 Minuten sitzen, bevor Sie es für die Lagerung.
- **VORSICHT** Die Kalibrierungsmarkierung auf dem Tank (Aufkleber) darf nicht überschritten werden. Ansonsten kann Wasser austreten.
- **WARNUNG** Beim Training auf diesem Rudergerät müssen die Füße immer sicher mit den Fußriemen fixiert werden und der bewegliche Teil der Fußstütze muss in den passenden Position einrasten!

ACHTUNG

- Achten Sie darauf Ihre Hände und Finger von bewegten Teilen fernzuhalten so wie es in der Betriebsanleitung erklärt wird.
- Der Rower kann zum leichteren Verstauen senkrecht gestellt werden. Stellen Sie dazu sicher, daß eine geeigneter und sicherer Platz dafür verwendet wird wie z. Bsp. in der Ecke eines Raumes oder gegen eine Wand.
- Es wird empfohlen, die Maschine nicht direktem Sonnenlicht auszusetzen. Dies kann zu beschleunigter Alterung des Kunststoffmaterials führen, die Lebensdauer der Tankhülle verringern und sogar zu Verformung und Bruch führen.

HINWEIS

Wenn der Lagerbereich nicht eben ist, wird eine zusätzliche Vorrichtung benötigt (separat erhältlich), um den Ruderer in stabiler vertikaler Lagerposition zu halten.

» Aufbau

Spezifikationen

Produktklasse: HC

Bremssystem: Geschwindigkeitsunabhängig

Nettogewicht: 34.18kg (75.34lb)

Bruttogewicht: 41.39kg (91.22lb)

Min Benutzergewicht: 333cm (131.09") Länge x 172cm (67.71") Breite

Abmessungen: 2130mm (83.86") Länge x 540mm (21.26") Breite x 560mm (22.04") Höhe

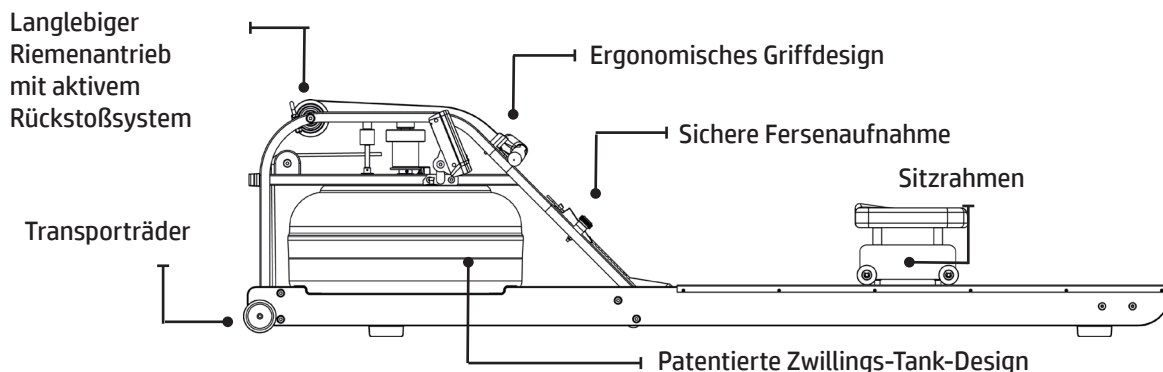
Max Benutzergewicht: 150kg (330lb)

Kompakter Fußabdruck: 2130 x 540mm or upright 560 x 540mm

Einbau

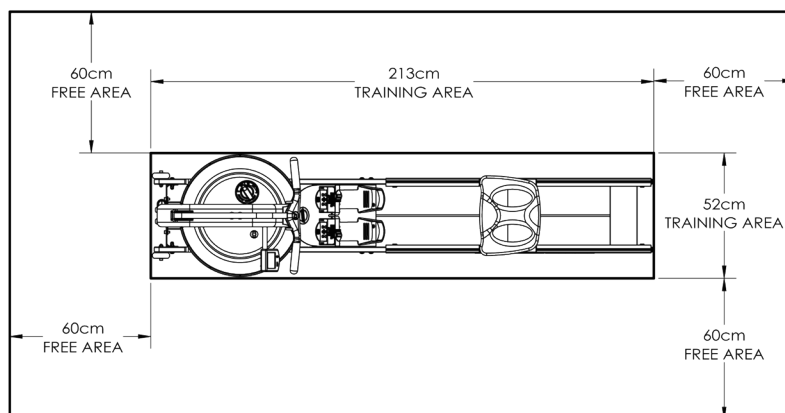
- Stellen Sie das Gerät für das Training auf eine stabile, ebene Fläche.
- Überprüfen Sie alle Riemen, Scheiben und Gummiseile regelmäßig auf Zeichen von Verschleiß und tauschen Sie sie gegebenenfalls aus.
- Warten Sie das Gerät regelmäßig gemäß der Anweisungen in diesem Handbuch.
- Tauschen Sie defekte Teile umgehend aus und verwenden Sie das Gerät erst wieder, wenn alle Reparaturarbeiten abgeschlossen sind.

Produkt Höhepunkte



Bewegungsbereich und Trainingsbereich

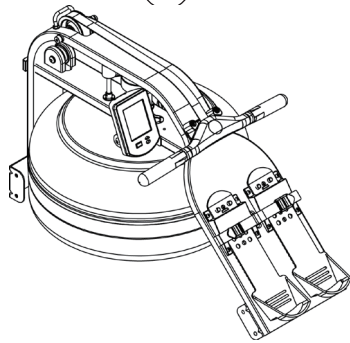
Der Bewegungsbereich muss im Aufstiegsbereich mindestens 23.62" (60 cm) größer sein als der eigentliche Trainingsbereich. Dazu zählt auch der Bereich für den Notabstieg.



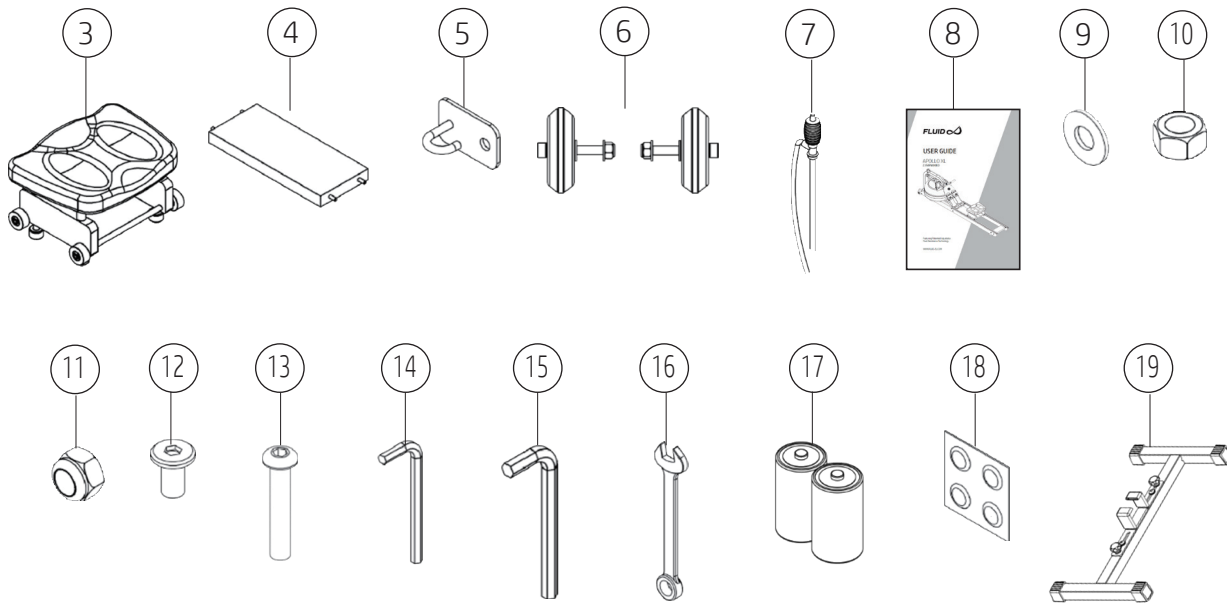
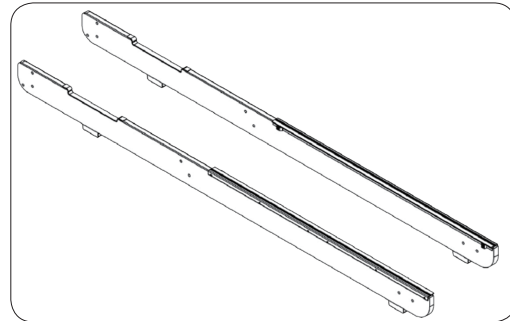
Hinweis: Rower ist nicht für therapeutische Zwecke geeignet

» Inhalt der Rower Packung

① Inhalt Verpackung 1



② Inhalt Verpackung 2



Element	Anzahl	Beschreibung	Element	Anzahl	Beschreibung
1	1	Hauptrahmen	5	1	Gummizug-Hakenbefestigung
2	2	Seitliche Schiene links / rechts	6	2	Transportrad-Baugruppe
3	1	Rudersitz	7	1	Handpumpe
4	1	Hintere Strebe	8	1	Bedienungsanleitung
Hardware KIT					
9	16	M8-Unterlegscheibe	14	1	5mm Inbusschlüssel
10	8	M8-Standardmutter	15	1	6mm Inbusschlüssel
11	8	M8 Nyloc Nut	16	1	13mm Schraubenschlüssel
12	4	M8 Stoppmutter	17	2	D Cell Batterien
13	8	M8x45mm-Schraube	18	4	Tablette zur Wasseraufbereitung
Optionale Ausrüstung (nicht im Lieferumfang enthalten)					
19	1	Optionaler Ständer	21	1	Griff zur Messung der Herzfrequenz durch Berührung
20	1	Erhöhungsset	22	1	Smartphone-Halter

Montageanweisungen

SCHRITT 1 Hintere Strebe und Transportrad-Baugruppe an der Sitzschiene installieren

ERFORDERLICH

Seitliche Schiene links / rechts [2]
 Hintere Strebe [4]
 Gummizug-Hakenbefestigung [5]
 Transportrad-Baugruppe [6]
 4 x Schraube, M6x15mm [12]

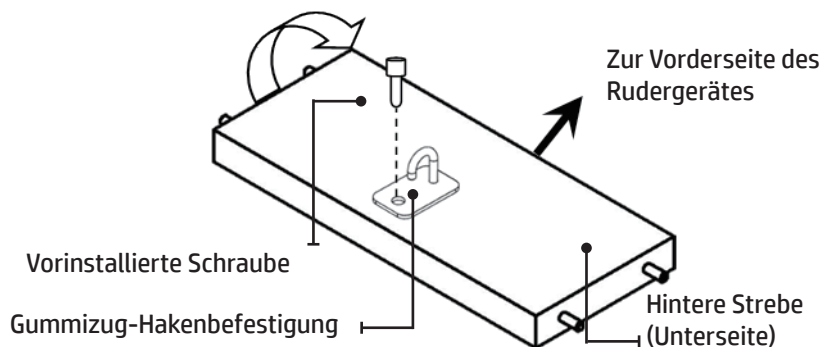
! WARNING

Hintere Strebe zur Korrektur der Ausrichtung vor Montage an den seitlichen Schienen drehen.

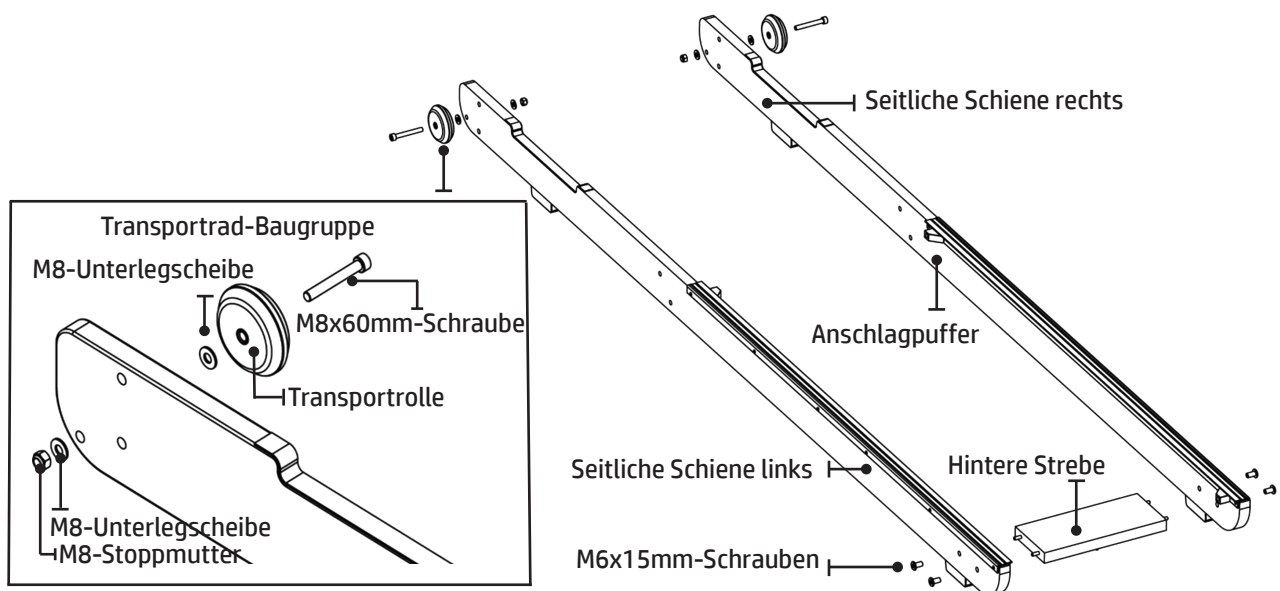
! HINWEIS

Transporträder müssen wie nachstehend abgebildet an der Außenseite der Sitzschienen montiert werden. Ziehen Sie die Transportradachse nicht zu fest, da das Transportrad andernfalls blockieren könnte.

- A) Beginnen Sie mit der hinteren Strebe, an der Unterseite finden Sie eine vorinstallierte Schraube. Nehmen Sie die Gummizug-Hakenbefestigung aus dem Montageset und installieren Sie sie wie abgebildet an der hinteren Strebe. Hinweis: Die Ausrichtung von Strebe und Haken muss stimmen, damit das Ende des Gummizugs wie durch den Pfeil in der Abbildung dargestellt (er zeigt auf die Vorderseite des Rudergerätes) gehalten wird.



- B) Verbinden Sie dann die seitliche Schiene links und die Seitliche Schiene rechts [2] mit 4 x M6x15mm-Schraube [12] und der hinteren Strebe [4]. **NICHT FESTZIEHEN.**
Tip: Anschlagpuffer zeigt bei der richtigen Montage zur Innenseite der Schiene.
- C) Sobald die hintere Strebe und die seitlichen Schienen montiert sind, montieren Sie die Transportrad-Baugruppe [6] an den seitlichen Schienen links/rechts [2]. Hinweis: Eine Unterscheibe an der Außenseite und eine Unterlegscheibe an der Innenseite der seitlichen Schiene.



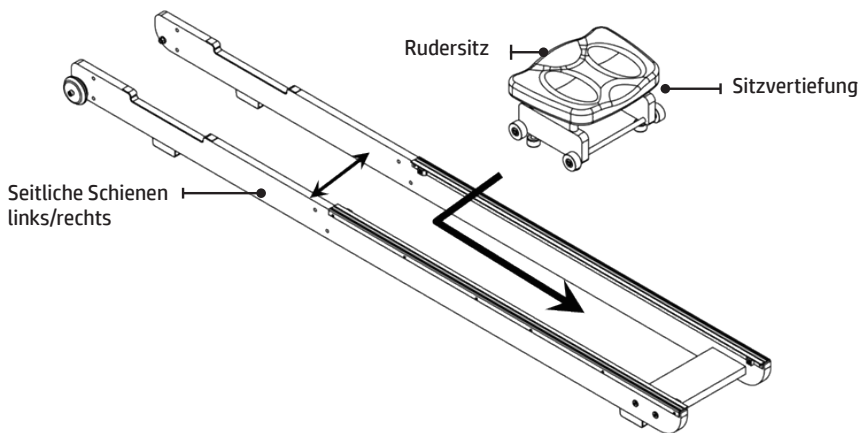
Montageanweisungen

SCHRITT 2 Rudersitz und oberen Hauptrahmen montieren

ERFORDERLICH

Seitliche Schiene links/rechts [2]
Rudersitz [3]

Installieren Sie den Sitz, indem Sie die seitlichen Schienen links/rechts [2] leicht ausbreiten und den Sitz [3] in die Schiene absenken.
Hinweis: Die Sitzvertiefung muss nach hinten zeigen.



SCHRITT 3 Rudersitz und oberen Hauptrahmen montieren

ERFORDERLICH

Hauptrahmen [1]
Seitliche Schienenbaugruppe [2]
16 x M8-Unterlegscheibe [9]
8 x M8-Standardmutter [10]
8 x M8 Stoppmutter [11]
8 x M8x45mm-Schraube [13]

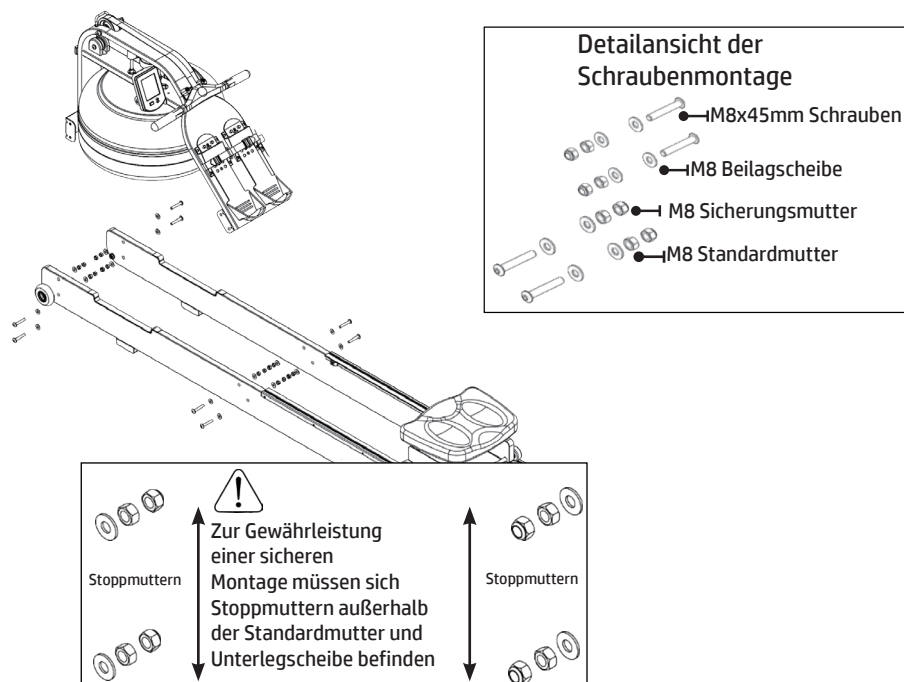
Installieren Sie dann den Hauptrahmen [1] wie abgebildet an der seitlichen Schienenbaugruppe [2]. Sie benötigen **8 x M8x45mm-Schraube [13]**, **16 x M8-Unterlegscheibe [9]**, **8 x M8-Standardmutter [10]** und **8 x M8-Stoppmutter [11]**. Befestigen Sie zunächst die untere vordere Halterung, dann das Fußbrett, aber **NICHT FESTZIEHEN**. Möglicherweise sind die Schrauben der unteren Halterung schwer zugänglich. Sie können diese Schrauben vollständig festziehen, sobald das Rudergerät vertikal steht; richten Sie sie also zunächst einfach nur aus und fädeln Sie die unteren Schrauben/Mutter locker ein.

! CAUTION

Zur Gewährleistung einer sicheren Montage müssen sich Stoppmuttern außerhalb der Standardmutter und Unterlegscheibe befinden.

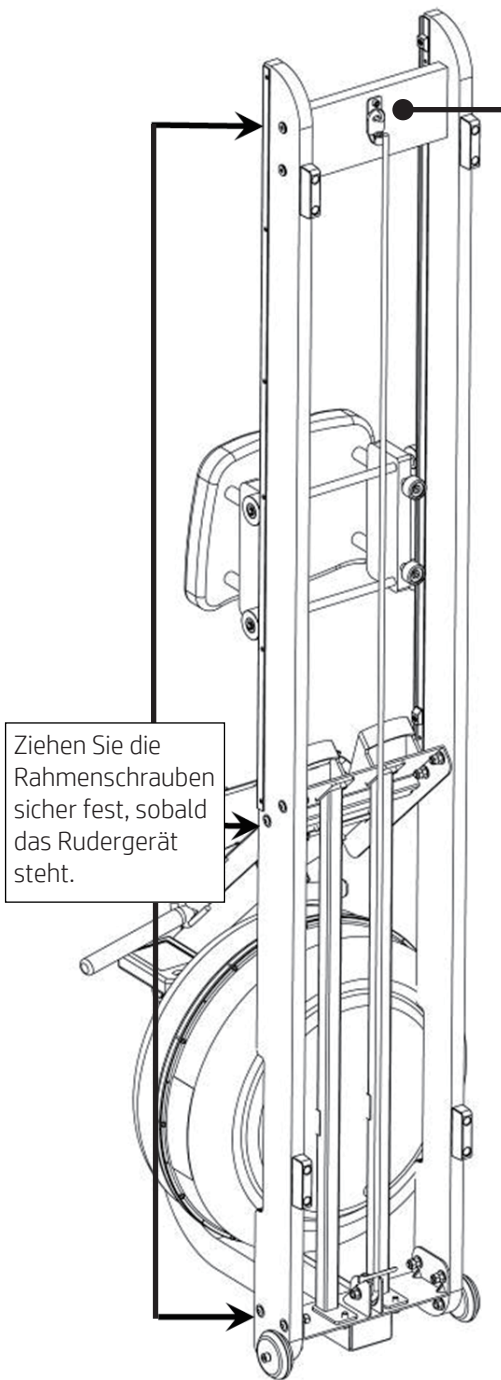
! HINWEIS

Reinigen Sie Räder und Schienen wöchentlich mit einem weichen, trockenen Tuch; dadurch können Sie den Verschleiß an Rädern und Schienen reduzieren



Montageanweisungen

SCHRITT 4 Anbringen des Bungee-Codes und Abschließen der Ruderer-Montage



Ziehen Sie Gummizug und Hakenende wie abgebildet an die Gummizug-Hakenbefestigung[5].



Schneiden Sie den Kabelbinder des Gummizugs nicht durch, bevor der Gummizug wie hier abgebildet an der Rückseite des Rudergerätes angebracht ist.

Sobald der Gummizug an der hinteren Strebe angebracht ist, ziehen Sie die Schrauben an, die das Fußbrett und den Hauptrahmen an den seitlichen Schienenschrauben halten, da sie aus der vertikalen Position leichter zugänglich sind.

Senken Sie die Rückseite des Rudergerätes in die horizontale Position und prüfen Sie auf angemessenen Rückstoß des Gummizugs.

Prüfen Sie Sitzrollen/Läufer auf Schmutz, bevor Sie sich auf den Sitz setzen. Kleine Gegenstände zwischen den Sitzrollen und Läufern können die Räder oder Lauffläche beschädigen. Prüfen Sie die Läufer vor jeder Nutzung auf Schmutz und reinigen Sie sie regelmäßig.

Hinweis: Die Rahmenschrauben des Rudergerätes müssen regelmäßig auf festen Sitz geprüft werden. Führen Sie dies am Ende des ersten Monats und dann erneut alle 12 Monate durch.

Lagern Sie das Produkt an einem geeigneten Ort.

Der Rahmen kann mit jeder hochwertigen Möbelpolitur poliert werden. Dies hilft noch zusätzlich die feine Maserung der Oberfläche hervor zu heben.

Installieren Sie zwei D Cell-Duracell-Batterien und prüfen Sie die Computerfunktion. Einzelheiten finden Sie im Abschnitt zum Computer dieser Anleitung.

Verwenden Sie Ihr Rudergerät auf einem flachen, ebenen Untergrund, damit das Gerät nicht wackelt und/oder vorzeitig verschleißt.

» Bedienungsanweisungen

Tank mit regelbarem Widerstand

Der von FLUID entwickelte und patentierte Tank mit regelbarem Widerstand bietet ein echtes mehrstufiges Erlebnis. Wasser wird zwischen Speicher- und Aktivkammern des Tanks mit regelbarem Widerstand bewegt. Ihr neues Ruderergometer kann durch Drehen des Reglers auf den gewünschten Widerstand des jeweiligen Nutzers eingestellt werden.

Erste Schritte

Wählen Sie zur Erzielung eines minimalen Widerstands „1“ am Tankregler. Es erfordert 10 Züge, den zentralen Tank (Speichertank) zu füllen, wodurch eine minimale Wassermenge im Außentank (Aktivtank) verbleibt. Dieser Vorgang ist immer erforderlich, wenn minimaler Widerstand gewünscht wird. Rudern Sie intensiv und kraftvoll bei einem gleichmäßigen Tempo (20 bis 25 Züge pro Minute [ZPM]), wahren Sie dabei eine gute Form. Sie können den Widerstand beim Rudern anpassen. Ihr Ruderergometer passt sich fast sofort an die Erhöhung des Widerstands an; dies erfordert jedoch bis zu 10 Züge.

Ihre Routine entwickeln

Sobald Sie die gewünschte Stufe erreicht haben, können zum Variieren des Trainings Änderungen an der Anzahl Züge pro Minute oder an der Intensität vorgenommen werden. Die meisten Ruderer nutzen Intervalltraining, bei dem ein Zeitraum geringer Intensität mit kurzen Intervallen hoher Intensität kombiniert wird. Ihr FLUID-Ruderergometer ermöglicht spontane Änderungen zur Erzielung mehrerer Widerstandsprofile während eines einzigen Trainings. Weitere Informationen zu Trainingsroutinen finden Sie auf unserer Website unter www.fluid-eu.com

Befüllung des Tanks und Wasseraufbereitung

ERFORDERLICH

Siphon [7]

! VORSICHT

Der Widerstandsregler muss zur Realisierung einer exakten Füllkapazität auf „Max“ eingestellt werden.

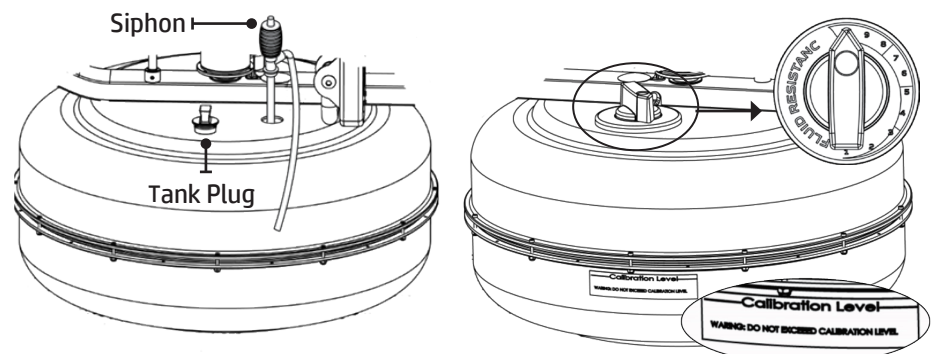
! WARNUNG

Füllen Sie den Tank nicht über den maximalen Füllstand von 17 Litern hinaus. Beachten Sie den Tankstandaufkleber im unteren Bereich des Tanks.

! HINWEIS

In Gebieten, in denen die Qualität des Leitungswassers als schlecht bekannt ist, empfiehlt FLUID die Verwendung von destilliertem Wasser.

- Entfernen Sie den Gummi-Füllverschluss an der Oberseite des Tanks
- Platzieren Sie einen großen Eimer Wasser neben dem Rudergerät. Positionieren Sie den **Siphon [7]** mit dem robusten Schlauch im Eimer und dem flexiblen Schlauch im Tank.
Hinweis: Achten Sie vor dem Füllen darauf, dass das kleine Entlüftungsventil am Siphon geschlossen ist.
- Drücken Sie zum Starten des Füllens den Siphon zusammen. Wichtig: Füllen Sie den Tank nicht übermäßig.
- Sobald er voll ist, öffnen Sie das Ventil an der Oberseite des Siphons, damit überschüssiges Wasser entweichen kann.
- Durchlaufen Sie gleich nach der Befüllung die folgenden Schritte zur Wasseraufbereitung und setzen Sie dann den Tankverschluss wieder auf.

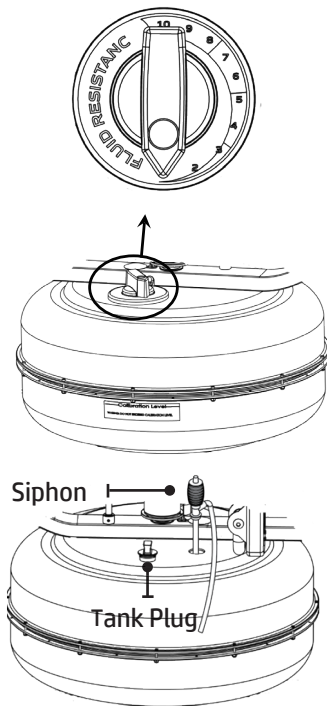


Level 1: Diese Einstellung hält zur Erzeugung eines leichten Widerstands Wasser in der Reserve.

Level 10: Diese Einstellung sorgt dafür, dass für größten Widerstand die maximale Menge Wasser das Schwungrad erreicht.

» Bedienungsanweisungen

Removing/Changing Tank Water



- Stellen Sie den Reglergriff auf „1“ ein.
- Machen Sie mindestens zehn Züge, um den Speichertank so weit wie möglich zu füllen.
- Entfernen Sie den Tankverschluss.
- Stecken Sie das feste Ende des Siphons in den Tank und den flexiblen Schlauch in einen großen Eimer.
- Leeren Sie den Tank (ca. 40 % des Wassers bleiben zurück), füllen Sie ihn dann wieder auf, indem Sie die Schritte im Abschnitt zur Tankbefüllung dieser Anleitung befolgen.

Hinweis:

- Das Ventil an der Oberseite des Siphons muss für eine angemessene Entleerung geschlossen sein.
- Durch die Wasseraufbereitung müssen Sie das Wasser im Tank nicht wechseln, sofern Sie den Aufbereitungsplan einhalten.
- Zusätzliche Tabletten zur Wasseraufbereitung sind nur erforderlich, wenn sich das Wasser sichtbar verfärbt hat.
- Durch die Aussetzung von Sonnenlicht reduzieren Sie die Lebensdauer von Tabletten zur Wasseraufbereitung. Wenn Sie das Rudergerät von direktem Sonnenlicht fernhalten, verlängert sich die Zeit zwischen den Wasseraufbereitungen.
- Ca. 40 % des Tankwassers bleiben zurück. Ohne Demontage kann der A/R-Tank nicht vollständig entleert werden.

HINWEIS: Für einfaches, schnelles und effizientes Befüllen und/oder Entleeren des Tanks bieten wir optional eine batteriebetriebene Pumpe an (über USB aufladbar). Wir empfehlen diese Option besonders für gewerbliche Einrichtungen mit mehreren Geräten, die gelegentlich Tanks ablassen und nachfüllen müssen. Um den Kauf abzuschließen, wenden Sie sich an den nächstgelegenen Vertriebspartner von Tunturi New Fitness BV oder besuchen Sie unsere Website unter www.fluid-eu.com für weitere Informationen.

! HINWEIS Es wird dringendst empfohlen, ein Tuch als Tropfauffang unter den Flüssigkeitstank zu legen, wenn der Tankverschluss für die Wasseraufbereitung geöffnet wird.

Nachhaltige Wasseraufbereitung und grundlegende Bedienung

Verwenden Sie ausschließlich die mit diesem Gerät gelieferten Tabletten zur Wasseraufbereitung. Weitere Tabletten erhalten Sie bei einem FLUID-Händler in Ihrer Nähe.

Die Zeitabstände der Wasseraufbereitung für den FLUID ROWER variieren je nach Sonneneinstrahlung auf die Flüssigkeitstanks, betragen erfahrungsgemäß aber 8 bis 12 Monate neben einem hellen, sonnenbeschienenen Fenster und zwei Jahre oder länger an dunkleren Stellen. Sollten Sie leicht getrübbtes Wasser vorfinden, geben Sie eine Wasseraufbereitungstablette hinzu.

So stellen Sie den Widerstand ein

Wählen Sie die gewünschte Flüssigkeitswiderstand

HINWEIS: Der am Tank ausgewählte Flüssigkeitswiderstand wird automatisch auf die Konsole angezeigt.

Lassen Sie beim Einstellen des Widerstands Niveaus zwei Schläge eine Zunahme und zehn Schläge eine Abnahme des Widerstands zu

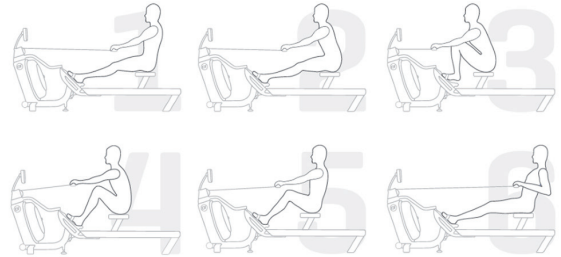


» Bedienungsanweisungen

Rudertraining beginnen

Ein vollständiger Ruderschlag ist in sechs Phasen unterteilt

1. Sitzen Sie mit ausgestreckten Beinen und geradem Rücken und beugen Sie sich in den Hüften leicht nach vorne, wobei die Arme ausgestreckt sind und die Hände sich auf Höhe der unteren Rippen befinden. Schwingen Sie wieder zurück.
2. Beugen Sie sich mit ausgestreckten Beinen und geradem Rücken in den Hüften leicht nach vorne; Arme sind nach vorne ausgestreckt. Beugen Sie sich vorwärts und gleiten Sie nach vorne. Hinweis: Die Hände sollten sich jetzt auf Kniehöhe befinden, Beine bleiben ausgestreckt.
3. Bewegen Sie die Beine nach vorne, sodass die Schienbeine möglichst senkrecht stehen. Der Rücken bleibt bei leicht nach vorne gebeugter Haltung gerade, wobei die Arme weiterhin nach vorne ausgestreckt sind. Jetzt beginnt sofort der kräftige DURCHZUG.
4. Die Knie werden halb durchgedrückt, wobei der Sitz bis in die Mitte der Ruderschienen fährt; Rücken und Arme sind weiterhin gerade. Führen Sie den Ruderschlag weiter.
5. Die Knie werden fast durchgedrückt; der Rücken bleibt gerade, lehnt sich in den Hüften aber leicht nach hinten. Die Arme sind gerade. Drücken Sie jetzt ganz durch.
6. Die Beine sind jetzt ganz ausgestreckt. Der Rücken ist gerade und leicht nach hinten gelehnt; ziehen Sie jetzt die Arme bis auf Brustnähe zurück, wobei die Unterarme in eine horizontale Position kommen und die Ellbogen sich in der Nähe des Brustkorbs befinden. Das ist der Endzug.



Weitere Informationen über die korrekte Rudertechnik und Trainingstipps finden Sie auf unserer Website www.fluid-eu.com

⚠ VORSICHT: Konsultieren Sie vor Beginn eines Trainingsprogramms immer einen Arzt. Brechen Sie sofort ab, wenn Sie sich benommen oder schwindlig fühlen.

⚠ VORSICHT: Nicht einseitig rudern.

Fußstütze anpassen

Die Fußplattenrutsche bietet Platz für die meisten Fußgrößen und ist so konzipiert, dass Ihre Füße während des Ruderns sicher fixiert werden. Die Füße sollten so positioniert werden, dass der Fußgurt den Abschnitt des Fußes abdeckt, der sich natürlich beim Rudern beugt (z. B. die Fußsohle).

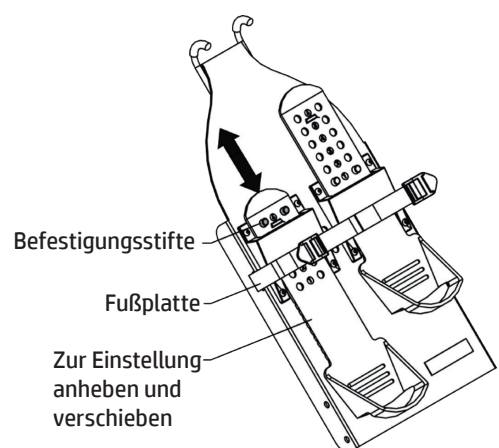
ZUR ANPASSUNG:

Heben Sie die Oberseite der Fußplattenrutsche von den Montagezapfen an und schieben Sie sie vertikal zwischen den Markierungen 1-6, um sie an Ihre Fußlänge anzupassen. Sichern Sie sie, indem Sie die Fußplattenrutsche wieder auf die Montagezapfen haken und fest nach unten drücken, um sie in Position zu verriegeln. Legen Sie Ihre Füße auf die Fußplatten und ziehen Sie die Fußriemen fest, um sicherzustellen, dass Ihre Füße fest gegen die Fersenhalterungen sitzen.

Hinweis: Die Fersenhalterung sollte sich beugen, um Ihrem Fuß ein natürliches Drehen während des Ruderns zu ermöglichen.

⚠ WARNUNG:

Beim Training auf diesem Rudergerät müssen die Füße immer sicher mit den Fußriemen fixiert werden und der bewegliche Teil der Fußstütze muss in den passenden Position einrasten.

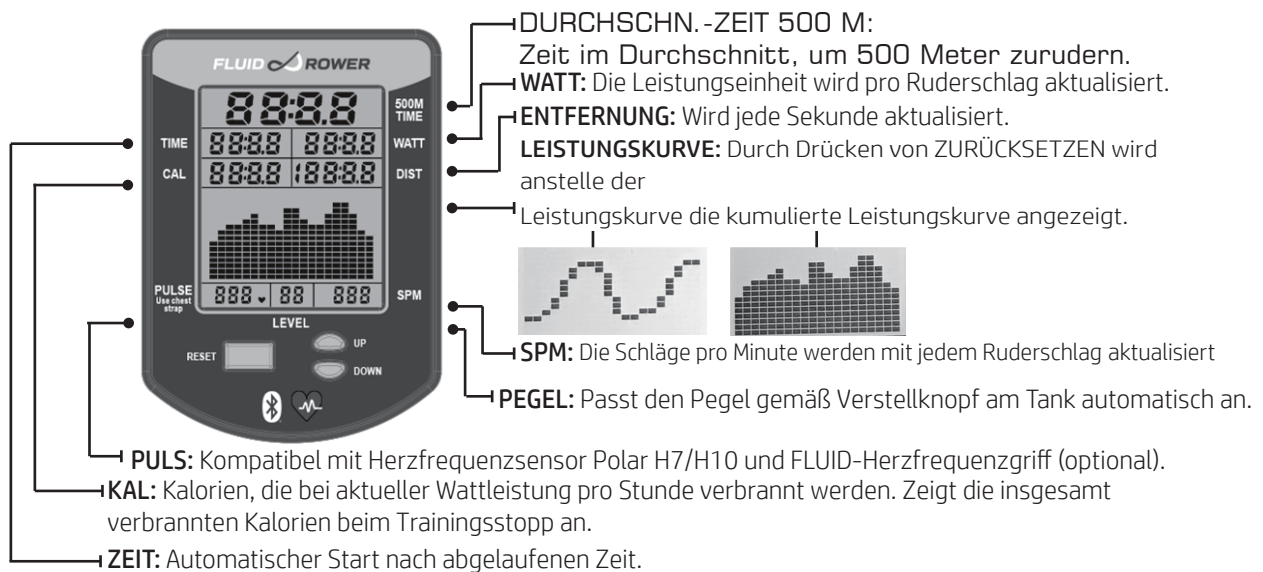


Automatisch einstellbarer Bluetooth-Monitor

Automatischer Start: Beginnen Sie mit dem Training, um das Gerät zu aktivieren.

Zurücksetzen aller Werte: Halten Sie die Taste ZURÜCKSETZEN 3 Sekunden lang gedrückt.

Automatisches Abschalten: Nach 5 Minuten. Alle Werte sind nach dem Neustart auf Null zurückgesetzt.



WATT: Misst die Spitzenleistung in Watt und berechnet die Kraft und Beschleunigung, um die Leistung eines Nutzers genau zu bemessen.

TRAININGSDATEN: Die pro Trainingseinheit erfassten Daten werden in einer Leistungskurve und einer kumulierten Leistungskurve angezeigt, sodass Sie Vergleiche für einen effektiven Trainingsfortschritt in Echtzeit ziehen können.

AUTO-PEGELANPASSUNG: Das eingebaute Potentiometer passt die Widerstandsstufe des Computers gemäß der Position des Verstellknopfes am Tank automatisch an.

BLUETOOTH-KONNEKTIVITÄT: Jedes Rudergerät ist mit modernster Konsolentechnologie ausgestattet, sodass Bluetooth-Konnektivität mit einem beliebigen kompatiblen Smart-Gerät gegeben ist. Auf Einbindung in Ruder- und Fitness-Apps ausgelegt, unterstützt die Konsole mit effektivem Trainingsfortschritt, der Aufzeichnung und dem Vergleich von Daten für Teilnehmer von Wettkämpfen. (Einschließlich FLUID-Ruder-APP, die über die FLUID-Website verfügbar ist)

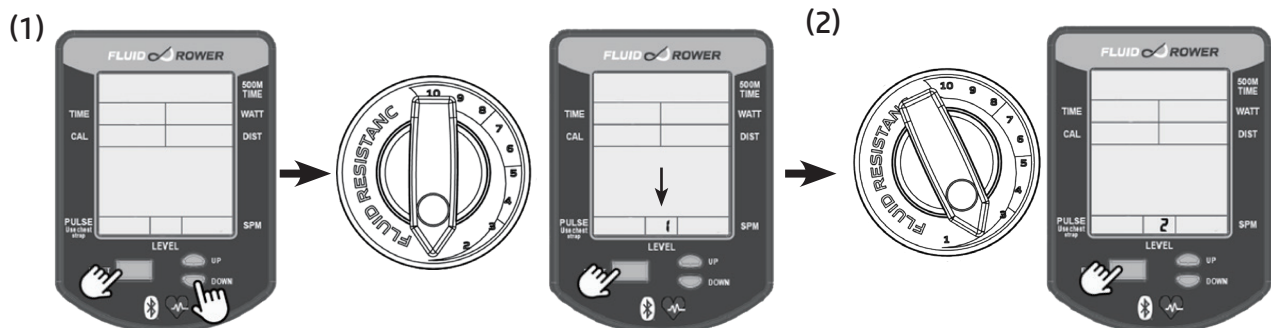
HINWEIS: Das Empfängerset für die Herzfrequenz mitsamt Brustgurt müssen separat erworben werden.

BATTERIE WARNUNG: Um ein Auslaufen der Batterien zu verhindern, nehmen Sie diese aus dem Monitor heraus, wenn Sie beabsichtigen, das Gerät länger als 30 Tage lang nicht zu verwenden.

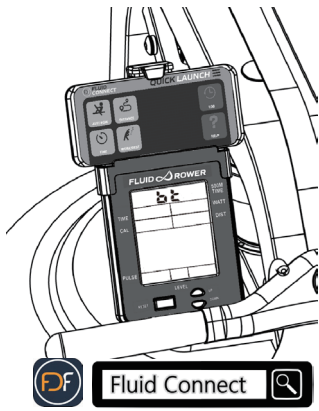
WARNUNG: Systeme zur Herzfrequenzüberwachung könnten falsche Werte anzeigen. Übermäßiges Trainieren kann schwere Verletzungen oder den Tod zur Folge haben. Wenn Sie sich einer Ohnmacht nahe fühlen, hören Sie sofort mit dem Training auf!

Kalibrierung

- 1) Halten Sie die Tasten "ZURÜCKSETZEN" und "RUHEN" 5 Sekunden lang gedrückt. Es wird „STUFE 1“ angezeigt. Drehen Sie den Einstellgriff auf STUFE 1. Halten Sie die Tasten "ZURÜCKSETZEN". Der Monitor zeigt jetzt "STUFE 2". Dass die Kalibrierung für STUFE 1 abgeschlossen ist.
- 2) Drehen Sie den Einstellgriff auf STUFE 2. Halten Sie die Tasten "ZURÜCKSETZEN". Der Monitor zeigt jetzt "STUFE 3". Dass die Kalibrierung für STUFE 2 abgeschlossen ist.
- 3) Wiederholen 3,4,5,6,7,8,9,10, Stufe 10 Drücken Sie Reset. Level 10 bleibt erhalten. Dass die Kalibrierung für abgeschlossen ist.



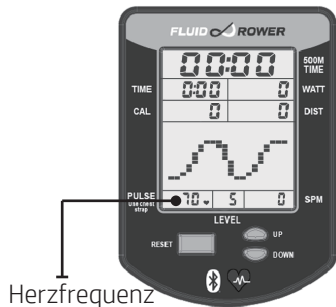
» Konnektivität für Konsole und APP



1. Lade die App "Fluid Connect" im [App Store] oder [Google Play] herunter.
2. Während der Monitor EINGESCHALTET ist, wird Bluetooth gestartet, um eine Verbindung zum Telefon/Pad herzustellen.
3. Schalte die FLUID CONNECT App auf deinem Telefon ein.
4. Drücke ein beliebiges Workout-Symbol, die App sucht nach dem verfügbaren Monitor in der Nähe.
5. Wähle den Monitor aus, den du verbinden möchtest.
6. Nachdem der Monitor mit der App verbunden ist, wird auf dem Monitorbildschirm nur "BT" angezeigt.

» Bluetooth-Herzfrequenz koppeln

HINWEIS : Das Empfängerset für die Herzfrequenz mitsamt Brustgurt müssen separat erworben werden.

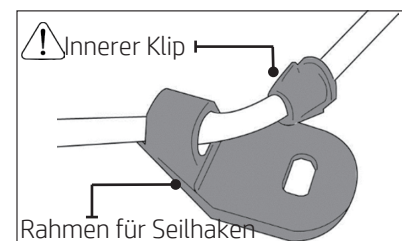


Die Konsole koppelt sich automatisch mit dem nächstgelegenen Bluetooth-Herzfrequenzsensor. Bei Abschluss der Kopplung springt die Konsole zum Startbildschirm zurück und beginnt mit der Anzeige der Herzfrequenz.

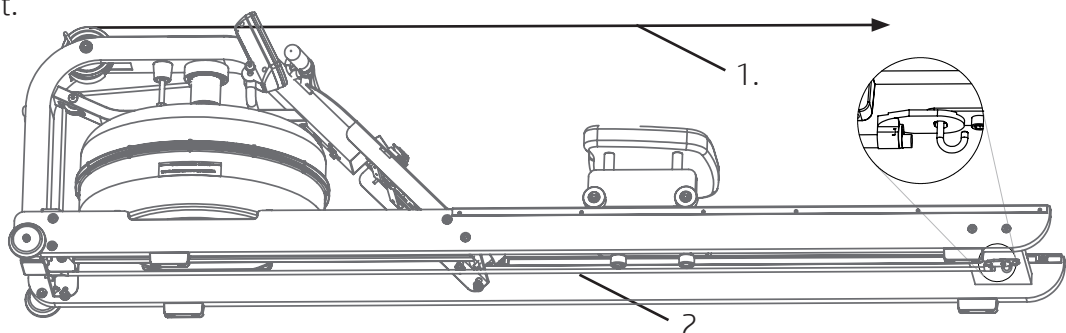
» Abnehmen des Rudergurtes

1. Um den Gurt abzunehmen ziehen sie einfach weiter als die normale Ruderlänge ist bis sich der Gurt von der Gurttrolle zu lösen beginnt.

Tipp: Sie können das Öffnen des Klettverschlusses hören, sobald sich der Gurt zu lösen beginnt.

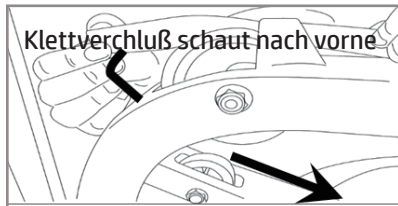


2. Nehmen sie den Haken aus der Halterung am hinteren Fuß und drücken sie den inneren Klip nach unten. Drücken sie das Seil durch den Klip bis es frei wird. Dadurch wird ermöglicht, dass das Seil komplett aus dem Hauptrahmen und dem Gurtrad ausgeführt wird und sich somit spatter wieder richtig dort anbringen läßt, sobald der Rudergurt wieder in der richtigen Position ist.



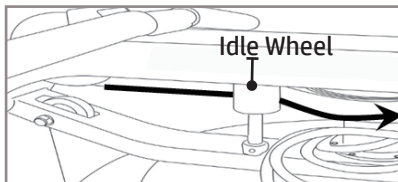
Montieren des Rudergurtes

SCHRITT 1



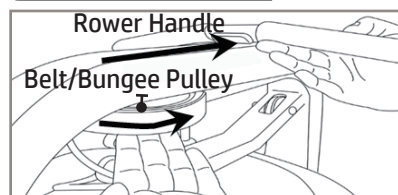
Beginnen sie mit dem Wiedereinbau des Gurtes in dem sie den Gurt wieder auf die Rolle aufrollen. Achten sie dabei darauf, dass der Klettverschluss nach vorne sieht, so wie in der Abbildung dargestellt.

SCHRITT 2



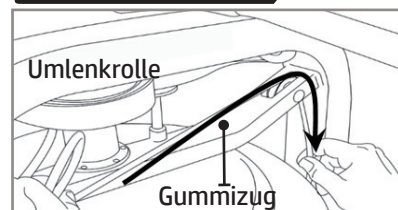
Als nächstes fädeln sie den Gurt um das Leerlauf-Rad. Sobald der Gurt um das Leerlauf-Rad geführt ist befestigen sie ihn am Gurt und Seilrad. Die korrekte Stelle ist mittels eines klar sichtbaren Rand gekennzeichnet.

SCHRITT 3



Rollen sie den Rudergurt solange auf die Gurt/Seilrolle auf bis sich der Rudergriff auf seiner vordersten Position befindet.

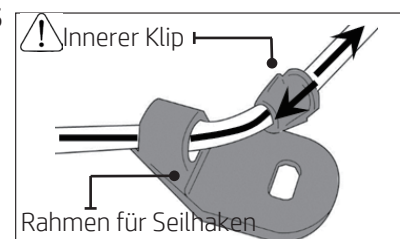
SCHRITT 4



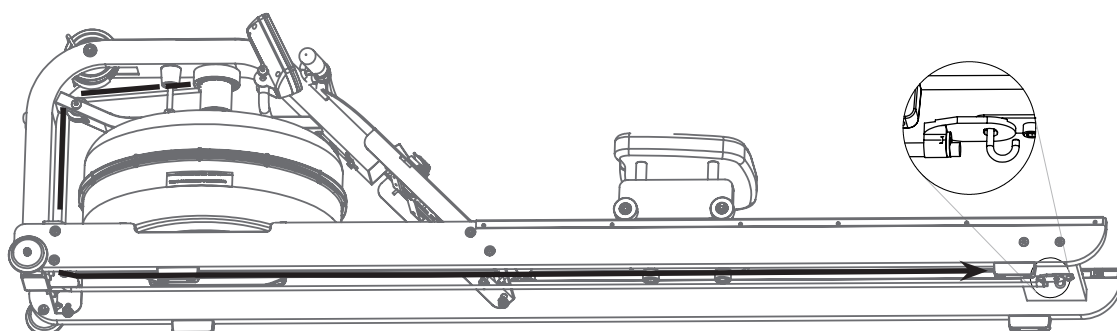
Fädeln sie das Seil (auf der anderen Seite des Leerlauf-Rades) zurück durch die Umlenkrolle und den mittleren Fuß. Befestigen sie den Rahmen für den Seilhaken wieder und haken sie das Seil am dafür vorgesehenen Haken an der hinteren Querstrebe ein.

SCHRITT 5 Das Wiederanbringen des Ruderbands

Die Rückzugstärke kann sehr einfach an die individuellen Bedürfnisse eingestellt werden. Um Einstellungen vorzunehmen schieben sie einfach den inneren Klip nach unten aus dem Rahmen für den Seilhaken und ziehen sie die gewünschte Länge an Seil durch und fixieren sie den Rahmen mit dem Klip wieder am Seil.



Hinweis: Bevor sie den inneren Klip und den Rahmen für den Seilhaken wieder montieren können sie zuerst unter leichter Spannung einen Knoten am mittleren Fuß machen. Dies erleichtert die Montage des Klips und des Rahmnes für den Seilhaken.



»» Wartung

Sämtliche vorbeugenden Wartungsarbeiten müssen regelmäßig durchgeführt werden. Indem routinemäßige vorbeugende Wartungsarbeiten durchgeführt werden, wird ein sicherer, störungsfreier Betrieb sämtlicher Tunturi New Fitness BV-Geräte unterstützt.

Tunturi New Fitness BV ist nicht verantwortlich für die regelmäßige Überprüfung und Wartungsarbeiten Ihrer Geräte. Unterweisen Sie sämtliches Personal bezüglich Geräteüberprüfung und Wartungsarbeiten und betreffend.

Meldung/Protokollierung von Unfällen. Mitarbeiter von Yunturi New Fitness BV stehen Ihnen zur Verfügung, um alle möglichen Fragen zu beantworten.

! **VORSICHT** Wischen Sie den Tank, die Schienen und die Sitzräder mit sauberem Wasser ab und reinigen Sie sie.

Position	Zeitraumen	Anweisungen
Sitz und Sitzschienen	Wöchentlich	Sitzschienen mit einem fusselfreien Tuch abwischen.
Rahmen	Wöchentlich	Rahmen mit einem fusselfreien Tuch abwischen.
Tankgehäuse	Wöchentlich	Verwenden Sie nur Wasser und ein sauberes Tuch, um den Tank zu reinigen. Verwenden Sie KEINEN chemischen Reiniger, um den Tank zu reinigen.
Tank und Wasseraufbereitung	12 Monate bis 2 Jahre	Siehe Anweisungen unter „Wasseraufbereitungsverfahren“ in diesem Handbuch.
Gummiseil	Alle 100 Betriebsstunden auf Spannung und erschleißerscheinungen überprüfen.	Das Gummiseil hält normalerweise viele Jahre. Kontaktieren Sie zum Austausch des elastischen Riemens bitte den Kundendienst vor Ort oder suchen Sie auf www.firstdegreefitness.com nach Unterstützung.
Ruderriemen	Alle 100 Betriebsstunden auf Spannung und erschleißerscheinungen überprüfen.	Der Ruderriemen hält normalerweise viele Jahre. Zum Austausch des Ruderriemens bitte den Kundendienst vor Ort kontaktieren oder auf www.firstdegreefitness.com nach Unterstützung suchen.

»» Fehlerbehebung

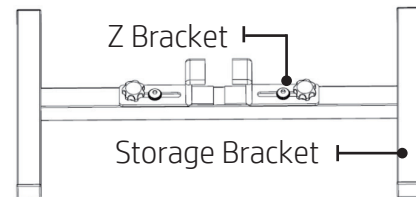
Fehler	Mögliche Ursache	Lösung
Das Wasser verändert die Farbe oder enthält Schwebstoffe.	Das Rudergerät ist direktem Sonnenlicht ausgesetzt und es wurde keine Wasserbehandlung durchgeführt. Das verwendete Leitungswasser ist von schlechter Qualität.	Stellen Sie den Pacific Rower an einer Stelle ohne direktes Sonnenlicht auf. Führen Sie die Wasserbehandlung oder einen Wassertausch durch so wie im Kapitel "Wasserbehandlung und Tankbefüllung" erklärt.
Der Rudergrut rutscht von der Gurttrolle.	Der Gummizug hat nicht genug Spannung. Rückzug ist nicht stark genug eingestellt.	Erhöhen Sie die Spannung des Gummizugs so wie im Kapitel "Austausch des Gummizugs" erklärt.
Instabile Anzeigen auf dem Rower Computer für 500 meter split time and SPM (Ruderschläge pro Minute).	Sensorabstand fehlerhafter Sensor Sensor wurde aus der korrekten Position geschoben Problem mit der Verkabelung	Verwenden Sie die hintere Abdeckung des Computer als Werkzeug um den Abstand zwischen dem Sensorkopf und dem magnetischen Ring zu überprüfen bzw. kontrollieren Sie ob der Sensorkopf nicht aus seiner korrekten Position verschoben worden ist. Bitte kontaktieren Sie Ihren nächstes FLUID Kundenservicezentrum für weitere Details.
Die Anzeige des Rower Computers zeigt nach einem Batterie-wechsel nichts an.	Die Batterien sind nicht richtig eingelegt oder bereits verbraucht.	Legen sie neue Batterien in richtiger Position nochmal ein. Falls die LCD Anzeige noch immer nichts anzeigt versuchen Sie die Batterien leicht im Gehäuse zu drehen. Sollte danach immer noch keine Anzeige erscheinen kontaktieren Sie bitte Ihren Fachhändler.
Die Anzeige des Rower Computers zeigt nach einem Batterie-wechsel nichts an.	Lockere oder gar keine Verbindung.	Check that the Monitor lead is connected properly. If it is connected then contact your local service center. Check Sensor gap.
Der Monitor LEVEL ist nicht mit dem Tank LEVEL synchronisiert.	Der Monitor LEVEL muss neu kalibriert werden.	Bitte beachten Sie die "Kalibrierungsverfahren" auf Seite 30 dieses Handbuchs.

» Anweisungen zur Aufbewahrungsstützhalterung

Eine Aufbewahrungsstützhalterung für aufrechte Aufbewahrung kann separat erworben werden.

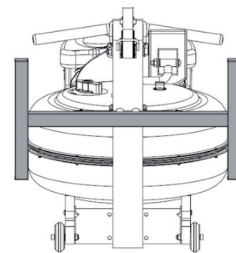
SCHRITT 1

Installieren Sie die Z-Winkel auf die Speicherbank.
Hinweis: den Knopf und die Schraube nicht festziehen.



SCHRITT 2

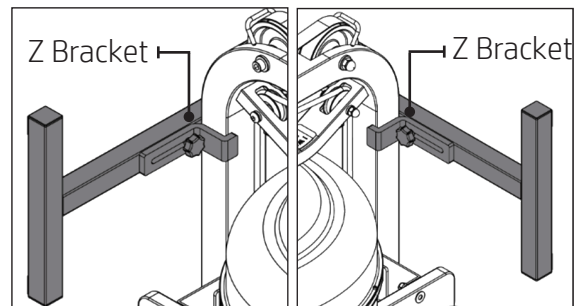
Installieren Sie die Halterung auf die Ruderer, wie dargestellt.



SCHRITT 3

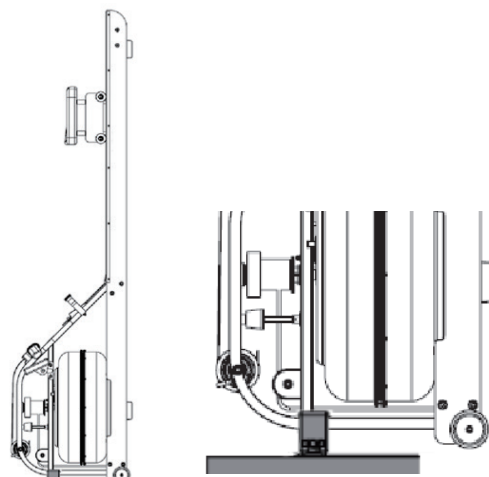
Ziehen Sie die Halterung Z-Knopf, um die Ruderer zu beheben.

Hinweis: Sicherstellen, dass die Z-Winkel ist vor dem Anziehen sicher.



SCHRITT 4

Stehen die Ruderer vertical Verwenden 8mm Innensech skantschlüssel
(im Produkt-Kit im Lieferumfang enthalten),
um die Schraube festziehen.



» Garantie

HEIMGEBRAUCH

Tunturi New Fitness BV garantiert, dass der **VIKING 3 XL(model VK3X)**, sofern in unbeschädigter Originalverpackung bei einem autorisierten Händler gekauft, frei von Material- und Herstellungsfehler ist. Tunturi New Fitness BV oder seine Händler werden nach ihrem eigenen Ermessen fehlerhafte Teile innerhalb der Garantiezeit so wie in den unten angeführten Bedingungen dargestellt reparieren oder austauschen.

Metall- und Holzrahmen - 10 Jahre eingeschränkte Garantie

Tunturi New Fitness BV repariert oder ersetzt den Metallhauptrahmen des Gerätes falls dieser auf Grund von Material- oder Herstellungsfehlern innerhalb von 10 Jahren ab dem ursprünglichen Kaufdatum einen Defekt erleidet. Diese Garantie gilt nicht für die Oberflächenbeschichtung des Rahmens.

Polykarbonattank und Dichtungen - 5 Jahre eingeschränkte Garantie

Tunturi New Fitness BV repariert oder ersetzt den Polykarbonattank oder die Dichtungen, falls diese auf Grund von Material- oder Herstellungsfehlern innerhalb von 5 Jahren ab dem ursprünglichen Kaufdatum einen Defekt erleiden.

Mechanische Komponenten (nicht verschleißend) – 2 Jahre eingeschränkte Garantie

Tunturi New Fitness BV repariert oder ersetzt alle mechanischen Komponenten, falls diese auf Grund von Material- oder Herstellungsfehlern innerhalb von 2 Jahren ab dem ursprünglichen Kaufdatum einen Defekt erleiden.

Speziell in die Garantie eingeschlossen:

- Laufschiene für Sitz aus
- Stainless Schaufelrad - Einheit aus rostfreiem Stahl

Alle anderen Komponenten (verschleißend) – 2 Jahre eingeschränkte Garantie

Tunturi New Fitness BV repariert oder ersetzt alle anderen Komponenten, falls diese auf Grund von Material- oder Herstellungsfehlern innerhalb von 2 Jahren ab dem ursprünglichen Kaufdatum einen Defekt erleiden.

Speziell in die Garantie eingeschlossen

- Gummizug
- Handgriffe und Fußriemen
- Rudergurt aus Polyester
- Sitz
- Alle Riemenscheiben, Rollen und Lager
- Alle Teile aus Gummi
- Computer & Geschwindigkeitssensor (außgenommen der ersetzbaren Batterien)
- Fußrasten (schwenken & gleiten)

Generell von der Garantie ausgeschlossen

- Oberflächenschäden an allen Geräteteilen
- Durch Nachlässigkeit, Missbrauch und falsche Benutzung des Gerätes verursachte Schäden
- Alle Fracht- oder Zollgebühren in Verbindung mit Rücksendung oder Versendung von Teilen
- Alle Schäden aller Art oder Verluste von Teilen während des Transportes jeglicher Art
- Alle Arbeitskosten in Verbindung mit einer Garantieforderung

Allgemeine Bedingungen

- Die Seriennummer der Maschine muss korrekt bei Tunturi New Fitness BV oder einem der autorisierten Händler registriert sein.
- Tunturi New Fitness BV behält sich das Recht vor, alle Teile, für die im Rahmen der Garantie ein Austausch gefordert wird, zu untersuchen.
- Die Garantie gilt nur für den Erstkäufer ab dem Kaufdatum und ist nicht übertragbar.
- Das Produkt muss in seiner Originalverpackung an den Ort des Kaufes zurückgeschickt werden, wobei Sie für Transportkosten, Versicherung und damit verbundene Gebühren aufkommen und das Verlust- oder Beschädigungsrisiko tragen.
- Tunturi New Fitness BV gewährt keine weiteren Garantien als die hier aufgeführten und weist alle nicht in dieser Garantiekunde genannten Garantien zurück. Weder Tunturi New Fitness BV noch seine Partner werden für weitere direkte oder indirekte Schäden haftbar gemacht.
- Die Herstellergarantie beginnt automatisch ab dem Moment des Kaufes des Produktes zum Endverbraucher oder nach einem (1) Jahr gerechnet vom Monat der Herstellung, je nach dem was zuerst Eintritt.

» Inleiding

Gefeliciteerd met uw aankoop van de roeimachine.

FLUID is er trots op om u deze roeimachine met gepatenteerde instelbare vloeistofweerstand te presenteren als product voor thuisgebruik.

Onze unieke combinatie van precisie staal en massief houten frames omvat alleen de hoogste kwaliteit Amerikaanse es, die wordt geoogst op duurzame plantages met de nieuwste technologie.

Kleine kleurvariaties zijn normaal en vormen onderdeel van het kunstenaarschap van Moeder Natuur. De houtnerfpatronen en subtiele tinten maken elke roeimachine zeer individueel en ontworpen om elke omgeving aan te vullen.

Volg alle instructies zorgvuldig op voor een correcte montage, tankvulling, waterbehandeling, service en veiligheid.

Toegang tot ons wereldwijde distributeur- en servicenetwerk is beschikbaar op www.fluid-eu.com

Controleer de inhoud van de dozen 1 en 2 om er zeker van te zijn dat alle onderdelen aanwezig en correct zijn voordat u ze monteert.

Training met de roeimachine

1. Zoals met alle fitnessapparatuur, moet u een arts raadplegen alvorens met het oefeningsprogramma met de roeimachine te beginnen.
2. Volg de instructies in deze handleiding voor de juiste positie van de voet en de basisroeitechnieken.
3. Voor meer gedetailleerde roeitechnieken verwijzen wij u naar onze internationale website op www.fluid-eu.com

Veiligheid

Veiligheidsinformatie

- Voordat u dit product gaat gebruiken, is het van essentieel belang om deze VOLLEDIGE bedieningshandleiding en ALLE instructies te lezen. De roeimachine is uitsluitend bedoeld voor gebruik op de manier die in deze handleiding wordt beschreven.
- HET IS BELANGRIJK OM ELKE WAARSCHUWING VOLLEDIG TE BEGRIJPEN
- Net als bij alle fitnessapparatuur, moet u een arts raadplegen alvorens met het oefeningsprogramma met de roeimachine te beginnen.
- Houd er rekening mee dat een fitnessregime, voordat het wordt uitgevoerd, het beste kan worden voorafgegaan door een fysieke controle door een gecertificeerde arts.
- Onjuiste of overmatige training kunnen leiden tot problemen met de gezondheid.
- Stop de machine onmiddellijk bij tekenen van overmatige slijtage op de riemen, riemschijven en elastische koorden. Gebruik de unit pas nadat de genoemde onderdelen zijn gerepareerd of vervangen.
- Laat kinderen niet zonder toezicht toegang krijgen tot het apparaat.
- De roeimachine kan verticaal worden opgeslagen. Volg hierbij de instructies in de handleiding.
- Houd uw handen uit de buurt van bewegende onderdelen, zoals aangegeven op het waarschuwingslabel op het hoofdframe van uw machine.
- Als een van de instelinrichtingen blijft uitsteken, kan dit de beweging van de gebruiker belemmeren.
- Sla het product als het vriest niet op met water in de tank, omdat het kan uitzetten en de onderdelen kan doen barsten.

Correct gebruik

- Gebruik geen apparatuur anders dan zoals ontworpen of bedoeld door de fabrikant. Het is van essentieel belang dat apparatuur van FLUID op de juiste wijze wordt gebruikt om letsel te voorkomen.
- Letsel kan het gevolg zijn van onjuist of overmatig sporten. Raadpleeg een arts voordat u met een oefeningsprogramma begint. Als u zich tijdens de oefening zwak of, duizelig voelt of pijn heeft, STOP DAN MET SPORTEN en raadpleeg een arts.
- Houd lichaamsdelen (handen, voeten, haar enz.), kleding en sieraden uit de buurt van bewegende delen om letsel te voorkomen.
- Volg de instructies in deze handleiding voor de juiste positie van de voet en de basisroeitechnieken.
- Voor meer gedetailleerde roeitechnieken verwijzen wij u naar onze internationale website www.fluid-eu.com

Inspectie

- Beschadigde of versleten of gebroken onderdelen NIET gebruiken en NIET toestaan te gebruiken. Gebruik voor alle apparatuur van FLUID uitsluitend door FLUID geleverde vervangingsonderdelen.
- Kabels en riemen leveren een uitzonderlijk probleem op als ze worden gebruikt wanneer ze gerafeld zijn. Vervang kabels of riemen altijd bij de eerste tekenen van slijtage (raadpleeg Fluid als u daar niet zeker van bent).
- ONDERHOUD VAN APPARATUUR - preventief onderhoud is de sleutel tot een soepele bediening van apparatuur en tot een minimum aan aansprakelijkheid. De apparatuur moet regelmatig worden geïnspecteerd.
- Zorg ervoor dat personen die aanpassingen maken of onderhoud of reparaties van welke aard dan ook uitvoeren hiervoor gekwalificeerd zijn.

Veiligheid

- PROBEER GEEN ACCESSOIRES TE GEBRUIKEN OF TE REPAREREN DIE ZIJN GOEDGEKEURD VOOR GEBRUIK MET DE APPARATUUR VAN FLUID ALS ZE BESCHADIGD OF VERSLETEN LIJKEN TE ZIJN.
- Controleer alle riemen, riemschijven en elastische koorden regelmatig op tekenen van slijtage en vervang ze indien nodig.
- Controleer regelmatig en volg alle instructies voor onderhoud zoals gespecificeerd in deze handleiding.
- Vervang onmiddellijk alle defecte onderdelen en bedien de unit pas nadat alle reparaties zijn uitgevoerd.

Waarschuwingen bij het gebruik

- Houd kinderen uit de buurt van de apparatuur. Ouders of anderen die toezicht houden op kinderen moeten goed toezicht houden als de apparatuur in aanwezigheid van kinderen wordt gebruikt.
- Draag geen losse kleding of sieraden tijdens het gebruik van de apparatuur. Tevens wordt aanbevolen om lange haren in een staart en omhoog te houden om contact met bewegende delen te voorkomen.
- Alle omstanders moeten uit de buurt blijven van alle gebruikers, bewegende delen en aangekoppelde accessoires en componenten terwijl de machine in gebruik is.
- **WAARSCHUWING** Steek geen vingers in de tank!
- **PAS OP** Na het roeien moet u het apparaat 5 minuten niet gebruiken voordat u het op bergt.
- **LET OP** Vul niet verder dan de kalibratiemarkering, zoals aangegeven op de sticker met het tankniveau, anders kan water worden gemorst.
- **WAARSCHUWING** Gebruik deze roeimachine nooit zonder dat de voeten goed zijn vastgezet in de voetbanden, of zonder dat het schuifgedeelte van de voetplaat van de schuifklep op zijn plaats is vergrendeld!

LET OP

1. Houd handen en vingers uit de buurt van bewegende onderdelen, zoals aangegeven in deze handleiding.
2. De roeimachine kan verticaal worden opgeslagen. Zorg ervoor dat een veilige locatie wordt gekozen, zoals een hoek van een kamer of tegen een muur op een vlakke, veilige ondergrond.
3. Het is aan te raden de trainer niet bloot te stellen aan direct zonlicht. Dit kan het veroudering proces van de plastic materialen versnellen, wat de levensduur negatief kan beïnvloeden en zelfs kan leiden tot breuk en lekkage.

Opmerking

Als de opslagruimte niet waterpas is, is een extra bevestiging vereist (afzonderlijk verkrijgbaar) om de roeimachine stabiel te houden bij een verticale opbergpositie.

» Assemblage

Specificaties

Productklasse: HC

Remsysteem: Snelheidsafhankelijk

Nettogewicht van product: 34.18kg(75.34lb)

Bruto productgewicht: 41.39kg(91.22lb)

Minimaal veilig werkoppervlak: 333(131,09") cm x 172(67,71")cm

Afmetingen: 2130mm(83,86") lengte x 540mm(21.26") breedte x 560mm(22,04") hoogte

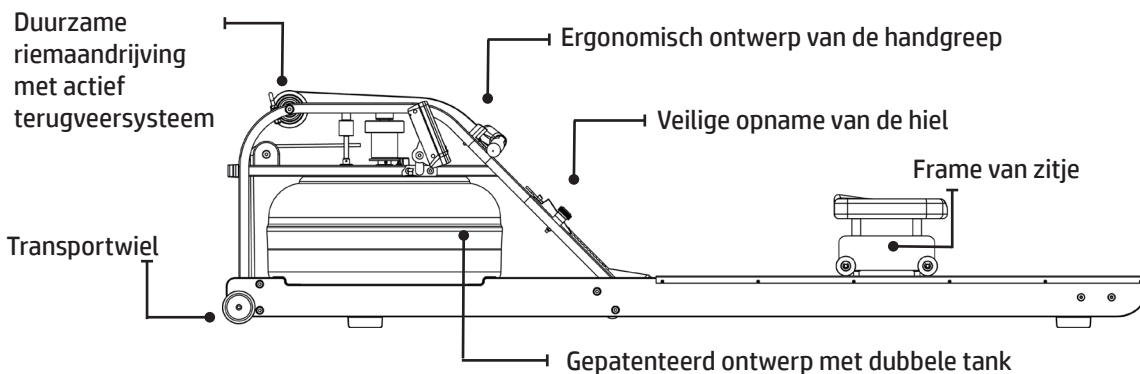
Maximaal gebruikersgewicht: 150 kg(330lb)

Compact formaat: 2130 x 540mm of rechtop 560 x 540mm

Installatie

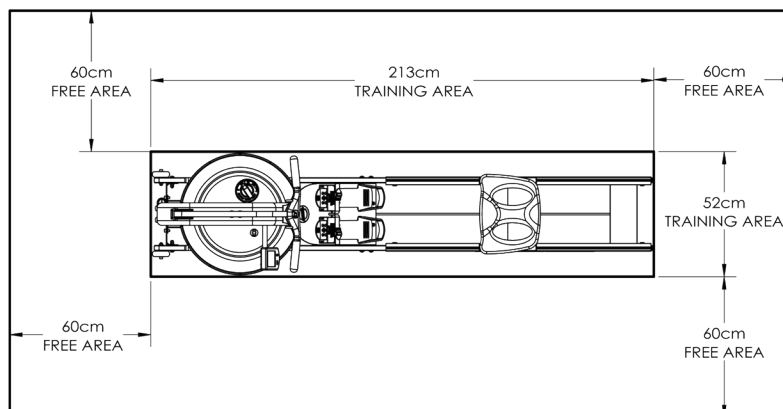
- Plaats het apparaat tijdens gebruik op een stabiele, vlakke ondergrond in horizontale positie voor maximale stabiliteit.
- Controleer alle riemen, riemschijven en elastische koorden regelmatig op tekenen van slijtage en vervang ze indien nodig.
- Controleer regelmatig en volg alle instructies voor onderhoud zoals gespecificeerd in deze handleiding.
- Vervang onmiddellijk alle defecte onderdelen en gebruik de roeimachine pas nadat alle reparaties zijn uitgevoerd.

Product Hoogtepunten



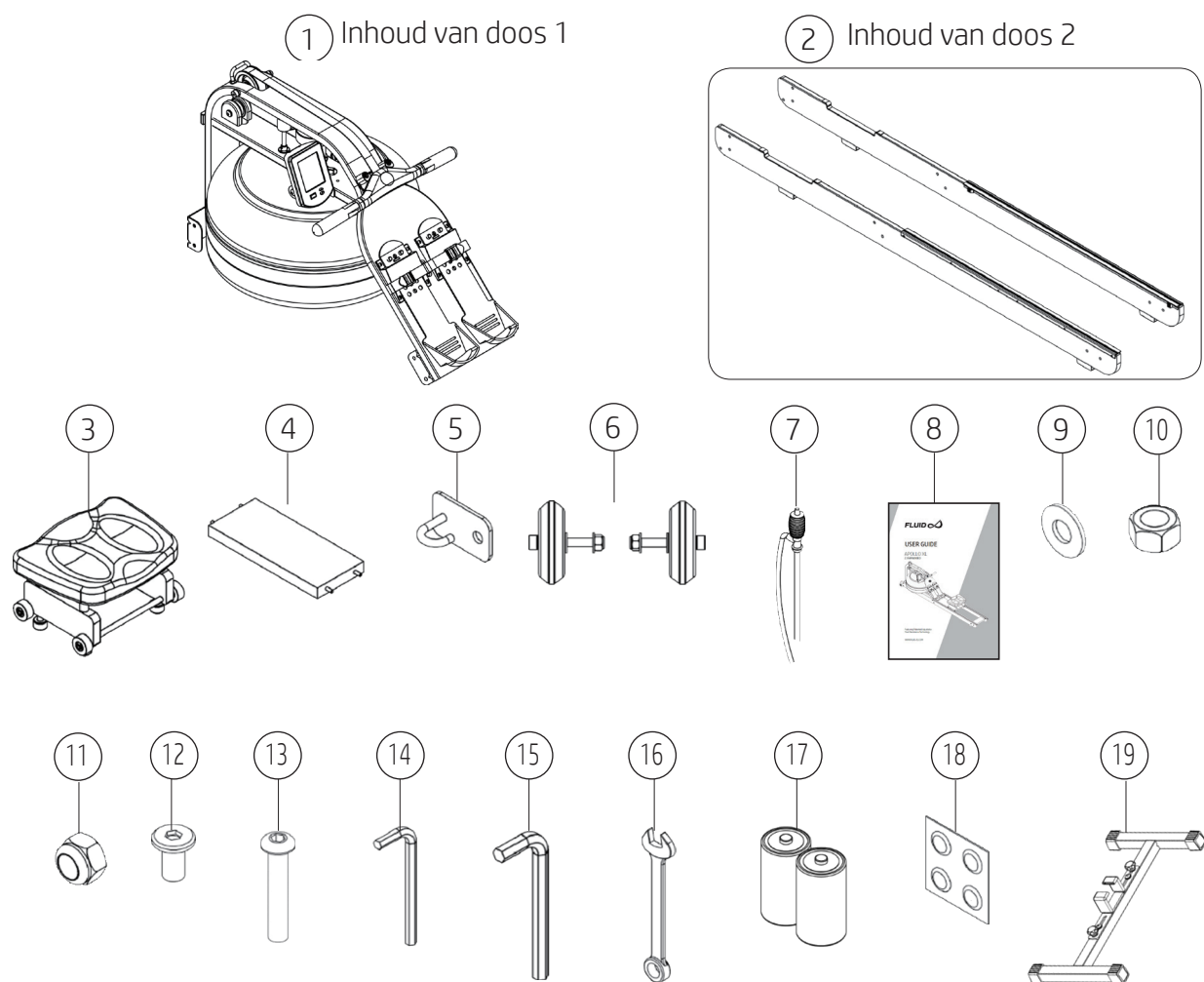
Vrij gebied en trainingsgebied

Het vrije gebied mag niet minder dan 60 cm (23,62") groter zijn dan het trainingsgebied in de richtingen waar de apparatuur wordt benaderd. Het vrije gebied moet ook het gebied voor noodontkoppeling omvatten.



Opmerking: De roeimachine is niet geschikt voor therapeutische doeleinden.

➤ Inhoud van de roeimachinedoos 1 en 2



Voorwerp	Aantal	Omschrijving	Voorwerp	Aantal	Omschrijving
1	1	Hoofdframe	5	1	Bevestiging van haak van elastisch koord
2	2	Linker/rechter zijrail	6	2	Transportwiel
3	1	Roeierzitje	7	1	Sifon
4	1	Steun achter	8	1	Gebruikershandleiding
Set hardware					
9	16	M8 sluitring	14	1	Inbusleutel van 5 mm
10	8	M8 standaardmoer	15	1	Inbusleutel van 6 mm
11	8	M8 Nylock-moer	16	1	13 mm steeksleutel
12	4	Bout M6x15 mm	17	2	D-celbatterij
13	8	Bout M8x45 mm	18	4	Waterbehandelingstablet
Optionele uitrusting (niet meegeleverd)					
19	1	Opslag Ondersteuningsbeugel	21	1	Hartslagaanraakhendel
20	1	Omhoogbrengset	22	1	Houder voor smartphone

Montage-instructies

STAP 1

De achterste steun en het transportwiel op de rails aan de zijkant monteren

VEREIST

Zijrail links/rechts [2]

steun achter [4]

Bevestiging van haak van elastisch koord [5]

Transportwieleenheid [6]

4x M6x15 mm bouten [12]



WAARSCHUWING

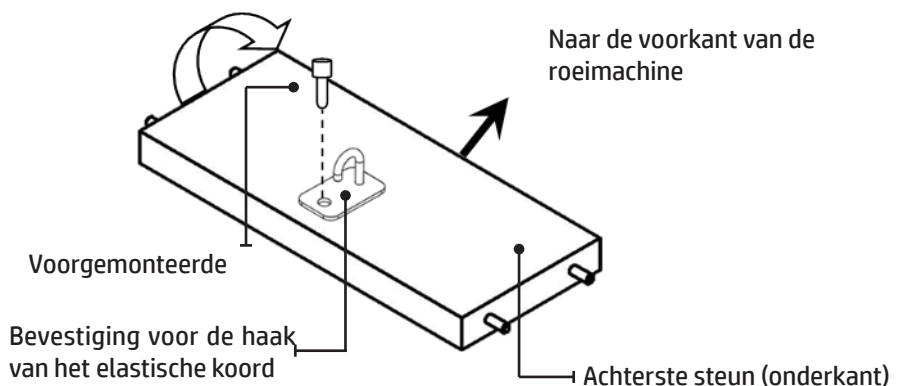
Draai de achterste steun in de juiste richting voordat u hem op de zijrails monteert



WAARSCHUWING

Let op dat transportwielen aan de buitenkant van de zijrails moeten worden gemonteerd, zoals hieronder wordt weergegeven. Draai de transportwielas niet te strak aan, omdat dit de rotatie van het transportwiel kan belemmeren.

- A) Begin met de achterste steun. Aan de onderkant vindt u een voorgemonteerde bout. Neem de bevestiging van de haak van het elastische koord uit de bevestigingskit en monteer haar deze op de achterste steun, zoals weergegeven. Let erop dat de richting van de beugel en de haak juist is om het uiteinde van de elastieke schokkabel vast te houden, zoals aangegeven door de pijl in de afbeelding, die naar de voorkant van de roeimachine wijst.

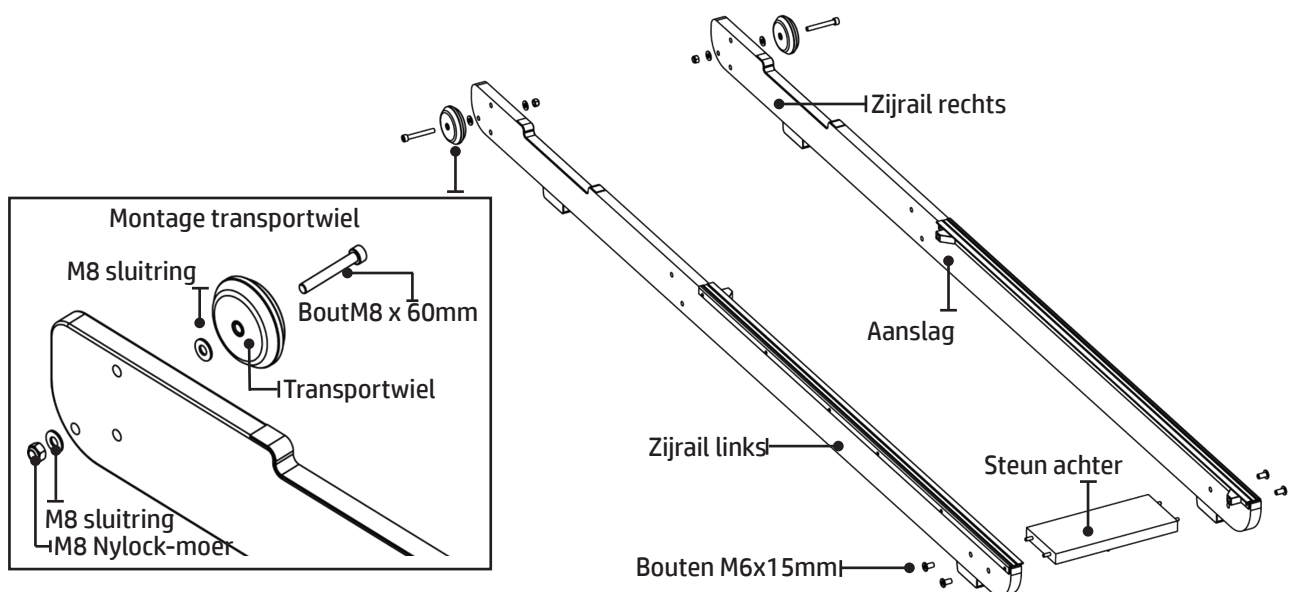


- B) Sluit vervolgens de linker- en rechter zijrail [2] aan met behulp van 4x M6x15 mm-bouten [12] en de achterste beugel [4]. **DRAAI ZE NIET VAST.**

Tip: De aanslagrubbers zijn naar de binnenkant van de rail gericht voor de juiste montage-richting.

- C) Zodra de achterste beugel en de zijrails zijn gemonteerd, monteert u het transportwiel [6] op de linker/rechter rails [2].

Opmerking: Eén sluitring aan de buitenkant en één sluitring aan de binnenkant van de zijrail.



Montage-instructies

STAP 2 Het roeierzitje en het bovenste hoofdframe monteren

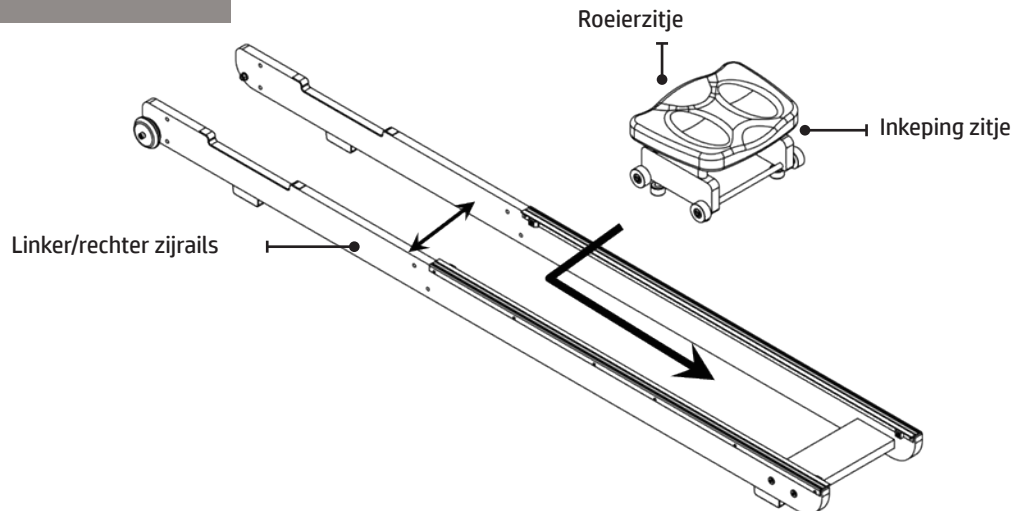
VEREIST

Linker/rechter zijrail [2]

Roeierzitje [3]

Om het roeierzitje te monteren, spreidt u de rails aan de linker-/rechterzijde [2] iets uit en laat u het roeierzitje [3] in de rail zakken.

Opmerking: De inkeping van het zitje moet naar achteren wijzen.



STAP 3 Het roeierzitje en het bovenste hoofdframe monteren

VEREIST

Hoofdframe [1]

Zijrails [2] 16x M8 onderlegingen [9]

8x M8 standaardmoeren [10]

8x M8 Nyloc-moeren [11]

8x bouten M8x45 mm [13]

Breng vervolgens het hoofdframe [1] aan op de zijrail [2], zoals weergegeven. U hebt 8x M8x45mm bouten [13], 16x M8 ringen [9], 8x M8 Standaard moeren [10] en 8x M8 Nyloc moeren [11] nodig.

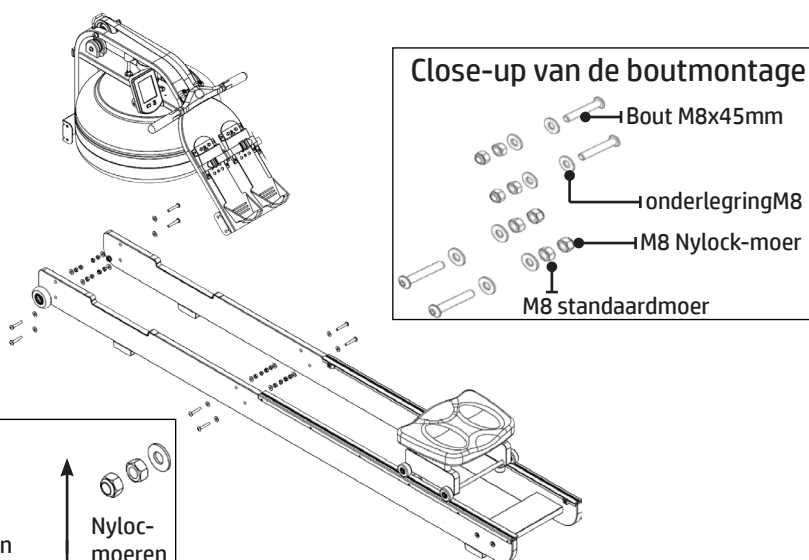
Zet eerst de onderste steun aan de voorkant vast, daarna het voetbord, maar DRAAI HET NOG NIET VAST. Misschien zijn de bouten van de onderste steun moeilijk bereikbaar. U kunt deze bouten volledig vastdraaien zodra de roeimachine in de verticale stand staat, dus voorlopig hoeft u de onderste bouten/moeren alleen maar uit te lijnen en losjes aan te draaien.

! LET OP

Nyloc-moeren moeten zich buiten de standaardmoer en onderleging bevinden om het geheel goed te kunnen bevestigen.

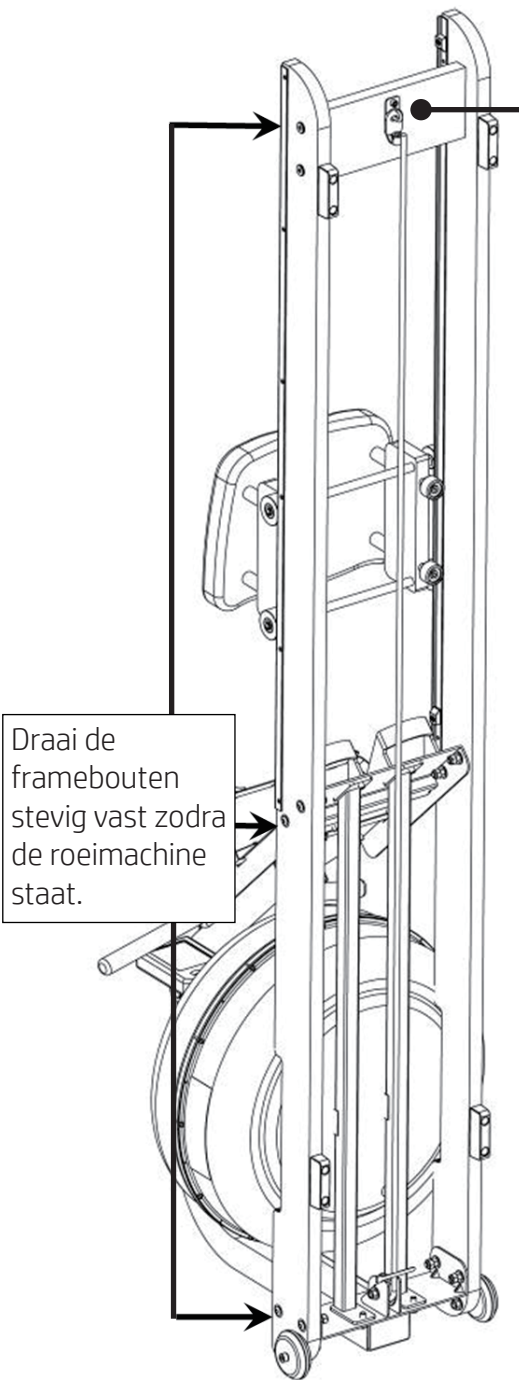
! OPMERKING

Reinig de wielen en rails wekelijks met een zachte, droge doek om de mate van slijtage op zowel de wielen als de rails.



Montage-instructies

STAP 4 De roeimachine voltooien



Draai de framebouten stevig vast zodra de roeimachine staat.

Trek het elastische koord en het haakuiteinde op de haakbevestiging van het elastische koord [5], zoals weergegeven.



⚠ Snijd de kabelbinder niet door voordat het elastische koord aan de achterkant van de roeimachine is bevestigd, zoals hier weergegeven.

Zodra het elastische koord aan de achterste steun is bevestigd, haalt u de bouten aan waarmee het voeteneinde en de bouten van het hoofdframe aan de zijrail zijn bevestigd, omdat deze gemakkelijker toegankelijk zijn vanuit de verticale positie.

Laat de roeimachine weer zakken naar de horizontale stand en test op een goede elastische terugvering.

Controleer de rollen/loopwielen van de roeistoel op vuil of afval voordat u erop gaat zitten. Kleine voorwerpen tussen de zitrollen en -runners kunnen de wielen of het loopvlak beschadigen. Controleer de loopwielen vóór elk gebruik op vuil en reinig ze regelmatig.

Opmerking: Controleer periodiek of de bouten van het roeiframe nog goed vastzitten. Doe dit aan het einde van de eerste gebruiksmaand en daarna elke 12 maanden. Kies een geschikte locatie wanneer u het product voor opslag wegzet.

Het roeimachineframe kan worden gepoetst met elk hoogwaardig meubelpoetsmiddel om de rijke glans van de houtafwerking te behouden.

Plaats de meegeleverde 2 D-celbatterijen en controleer de werking van de monitor. Meer informatie hierover vindt u in het gedeelte Monitor van deze handleiding.

Kies een vlak, horizontaal oppervlak waarop u uw roeimachine kunt gebruiken, om schommelen en mogelijk voortijdige slijtage te voorkomen.

» Bedieningsinstructies

Tank voor instelbare weerstand (laW)

De instelbare weerstand (AR) tank, ontwikkeld en gepatenteerd door FLUID, biedt een echte ervaring op meerdere niveaus. Water wordt verplaatst tussen de “opslag” en de “actieve” kamers van de AR-tank. Uw nieuwe roei-ergometer kan zich - met een draai aan een meetklok - aanpassen aan de weerstand waaraan elke gebruiker de voorkeur geeft.

Aan de slag

Selecteer “1” op de tankregelaar om de minimale weerstand te bereiken. Het duurt 10 slagen om de centrale (opslag)tank te vullen, waardoor een minimale hoeveelheid water in de buitenste (actieve) tank achterblijft. Dit proces is altijd vereist als minimale weerstand gewenst is. Roei hard in een gelijkmatig tempo (20 tot 25 slagen per minuut [SPM]) en doe wat moeite voor de slag, terwijl u een goede vorm behoudt. U kunt het weerstandsniveau aanpassen terwijl u roeit. De AR-tank zal zich vrijwel onmiddellijk aanpassen aan de toename van de weerstand, maar het duurt tot 10 slagen om de benodigde inspanning te verminderen, naarmate de centrale (opslag)tank volloopt.

Ontwikkel uw routine

Als u eenmaal een niveau hebt gevonden dat u de vereiste oefening geeft, kunnen er veranderingen worden aangebracht in SPM en de slagintensiteit om uw energie-input verder te variëren. Intervaltraining wordt gebruikt door de meeste roeimachines, waar een periode van lage intensiteit wordt gecombineerd met korte intervallen van hoge intensiteit. De FLUID roei-ergometer laat veranderingen toe tijdens het roeien, om tijdens één workout resistentieprofielen op meerdere niveaus te bereiken. Ga voor meer informatie over oefenroutines naar onze website op www.fluid-eu.com

Procedures voor het vullen van de tanks en waterbehandeling

VEREIST

Sifon [7]

! LET OP

De weerstandsregelaar moet op NIVEAU 10 worden ingesteld om een nauwkeurige vulcapaciteit mogelijk te maken.

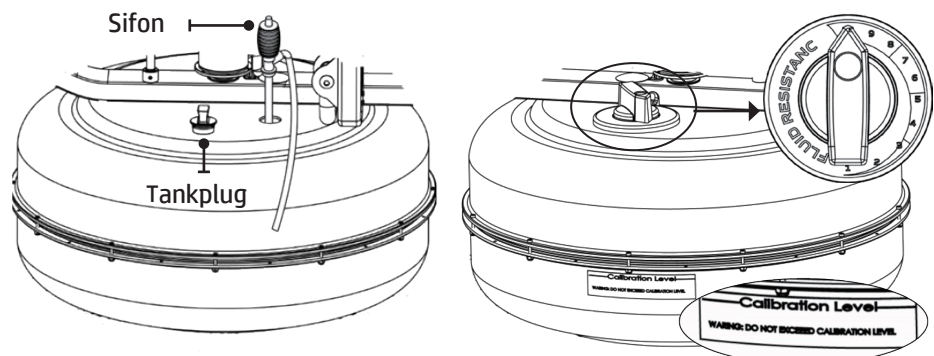
! WAARSCHUWING

Vul de tank niet te vol tot boven het aangegeven maximumniveau van 17 liter. Zie de tankniveausticker aan de onderkant van de tank.

! OPMERKING

In gebieden waar de kwaliteit van het kraanwater als slecht bekend staat, raadt FLUID het gebruik van gedistilleerd water aan.

- Verwijder de tankplug uit de bovenkant van de tank.
- Zet een grote emmer water naast de roeimachine. Doe de Sifon [7] met de starre slang in de bak en de flexibele slang in de tank.
Opmerking: Zorg ervoor dat de kleine ontluchtingsklep op de sifon gesloten is voordat u gaat vullen.
- Knijp de sifon in om te beginnen met vullen. Belangrijk: Maak de tank niet te vol
- Open de kraan bovenop de sifon als de tank vol is, zodat overtollig water kan ontsnappen.
- Als het vullen is voltooid, volgt u het onderstaande schema voor waterbehandeling en vervangt u de tankplug.

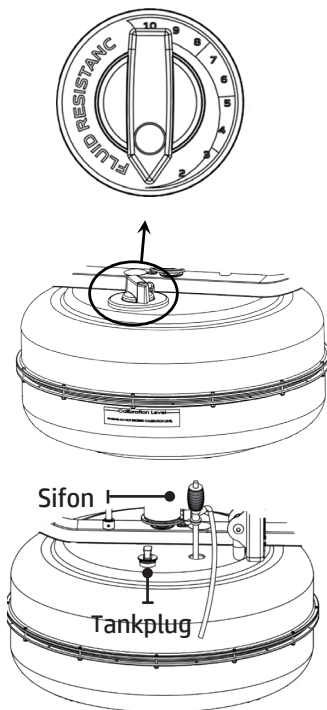


NIVEAU 1: Deze instelling houdt een deel van het water in reserve, waardoor lichte weerstand ontstaat.

NIVEAU 10: Met deze instelling kan de maximale hoeveelheid water het vliegwiel bereiken voor de zwaarste weerstand.

» Bedieningsinstructies

Tankwater verwijderen/vervangen



- Stel de afstelknop in op "1"
 - Roei ten minste tien slagen om het opslagreservoir zo volledig mogelijk te vullen.
 - Verwijder de tankplug.
 - Steek het stijve uiteinde van de sifon in de tank en de flexibele slang in een grote emmer.
 - Tap de tank af (er blijft ongeveer 40% van het water over) en vul de tank vervolgens bij volgens de aanwijzingen voor het vullen van de tank, zoals beschreven in het hoofdstuk Tank vullen van deze handleiding.
- De klep boven op de sifon moet gesloten zijn om een goede afvoer mogelijk te maken.
 - Waterbehandeling voorkomt de noodzaak om het water in de tank te verversen als het behandelingschema wordt gehandhaafd.
 - Een extra waterbehandelingstablet is alleen nodig als er verkleuring in het water optreedt.
 - Blootstelling aan rechtstreeks zonlicht verkort de levensduur van de waterbehandelingstabletten. Als u de roeimachine uit de buurt van rechtstreeks zonlicht opbergt, verlengt u de tijd tussen waterbehandelingen.
 - Ongeveer 40% van het tankwater blijft over. Het is niet mogelijk om de A/R-tank volledig af te tappen zonder demontage.

OPMERKING: Voor het eenvoudig, snel en efficiënt vullen en aftappen van de tank hebben we een op batterijen werkende pomp (oplaadbaar via USB) beschikbaar als optie. We adviseren deze voor elke commerciële faciliteit, met meerdere units, waarbij het nodig is de tanks van tijd tot tijd af te tappen en te vullen. Neem voor meer informatie contact op met uw dichtstbijzijnde Fluid-distributeur of ga naar onze website op www.fluid-eu.com

! LET OP Het wordt ten zeerste aanbevolen om een druppeldoek onder de tank te gebruiken wanneer de tankplug wordt geopend voor waterbehandeling.

Eerste waterbehandeling

Voeg één waterbehandelingstablet toe per volle tank.

GEBRUIK ONDER GEEN ENKELE OMSTANDIGHEID EEN ANDER WATERBEHANDELINGSTABLET DAN DAT WELKE BIJ UW APPARAAT IS GELEVERD.

Bij de aankoop van uw apparaat zijn 4 vier waterbehandelingstabletten inbegrepen, die voldoende zijn voor een aantal jaren gebruik. De behandelingschema's voor water voor de ROEIER zullen variëren afhankelijk van de blootstelling van tanks aan zonlicht, maar verwacht 8-12 maanden in de buurt van een helder, zonverlicht venster en 2 jaar of meer voor een donkere locatie. Merkt u dat het water licht bewolkt raakt, voeg dan een waterbehandelingstablet toe.

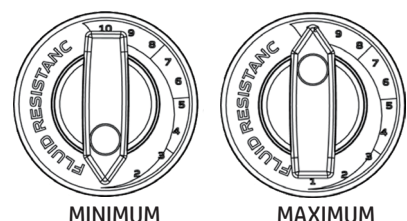
Als u extra tabletten voor waterbehandeling wilt aanschaffen, neemt u contact op met uw dichtstbijzijnde regionale dealer/distributeur of gaat u naar onze website op www.fluid-eu.com

Zo stelt u de weerstand in

Selecteer de vloeistofweerstand van uw voorkeur.

OPMERKING: de monitor toont automatisch de op de tank gekozen waterweerstand.

Past u het weerstandsniveau aan, dan zult u na twee slagen een toename voelen en na tien slagen een afname.

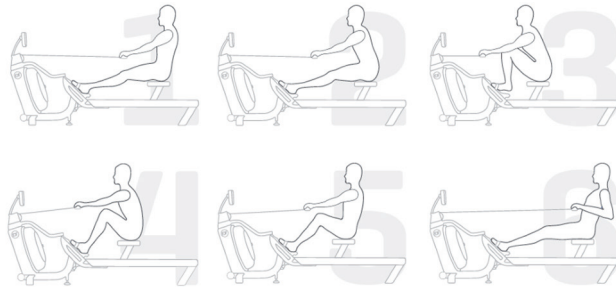


» Bedieningsinstructies

Begin met roeien

Er zijn zes fasen om een roeislag te voltooien

1. Ga zitten met rechte benen en rug, terwijl u iets naar voren leunt bij de heupen met de armen recht naar buiten en de handen op gelijke hoogte met de onderste ribben. Draai terug.
2. Benen en rug recht, iets naar voren leunend vanuit de heupen, armen naar voren. Leun en schuif naar voren.



Opmerking: De handen moeten nu om de knieën liggen, zodat de benen recht blijven staan.

3. De benen komen naar voren, gericht op het verticaal krijgen van de schenen. De rug is nog steeds recht, en de houding is iets naar voren, leunend met de armen nog steeds naar voren. Roei nu hard, dit is waar het om gaat.
4. De knieën zijn gedeeltelijk rechtgetrokken, zodat het roeistoel zich nu halverwege de slag bevindt, de rug en de armen nog steeds recht staan. Handhaaf de slag.
5. De knieën zijn bijna recht, de rug is nog steeds recht, maar leunt nu iets terug van de heupen. Armen recht. Knijp nu door.
6. Benen nu volledig uitgestrekt. Terug recht en enigszins naar achteren leunend, trek nu met de armen zodat ze dicht bij de borst staan, onderarmen horizontaal en ellebogen dicht in tegen de ribbenkast. Dit is de AFWERKING.

Ga voor meer informatie over de juiste roeitechniek en workouttips naar onze website

www.fluid-eu.com

! LET OP: Raadpleeg altijd een arts voordat u met een oefeningsprogramma begint. Stop onmiddellijk als u zich zwak of duizelig voelt.

! LET OP: Roei niet naar één kant.

Voetplaten afstellen

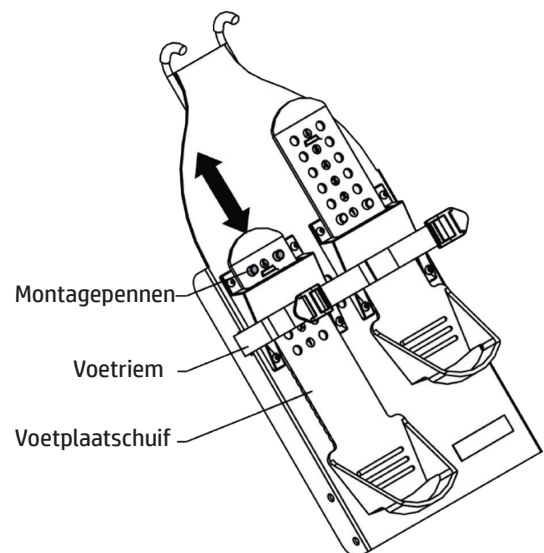
De schuifknop voor voetplaten is geschikt voor de meeste voetmaten en is ontworpen om uw voeten veilig op hun plaats te houden terwijl u roeit. De voeten moeten zo worden geplaatst dat het voetbandje het gedeelte van de voet op natuurlijke wijze tijdens het roeien ombuigt. (Bijv. het bord van de voet)

AANPASSEN:

Til de bovenkant van de voetplaat van de bevestigingspennen en schuif hem verticaal tussen 1 en 6, afhankelijk van de lengte van uw voet. Bevestig de voetplaat door hem weer op de bevestigingspennen te bevestigen en stevig omlaag te drukken zodat hij op zijn plaats wordt vergrendeld. Plaats de voeten op de voetplaten en trek de voetbanden aan om ervoor te zorgen dat uw voeten stevig tegen de hiel zitten.

Opmerking: De hiel moet buigen zodat de voet op natuurlijke wijze kan draaien terwijl u roeit.

! WAARSCHUWING: Gebruik deze roeimachine nooit zonder dat de voeten goed zijn vastgezet in de voetbanden, of zonder dat het schuifgedeelte van de voetplaatschuif op zijn plaats is vergrendeld!

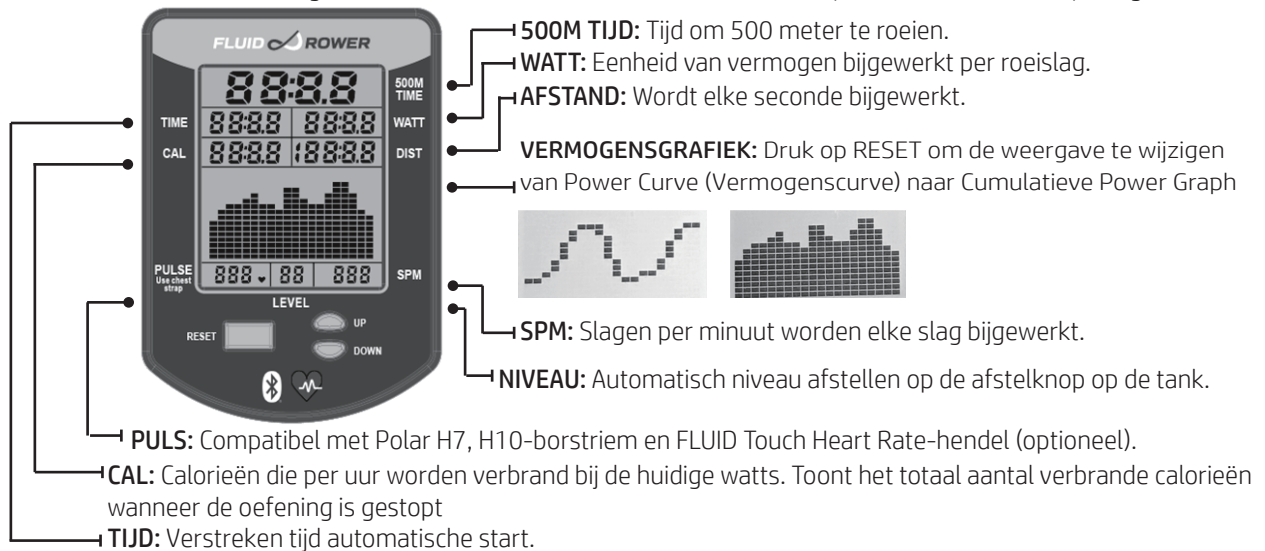


Automatisch aanpassende Bluetooth-monitor

Automatisch starten: Begin met de oefening om te activeren.

Alle waarden resetten: Houd de RESET-knop 3 seconden ingedrukt.

Automatisch uitschakelen: Langer dan 5 minuten. Alle waarden worden na het opnieuw starten weer op nul gezet.



WATT: Meet het piekvermogen in watt, waarbij de sterkte en versnelling worden berekend om het vermogen van een gebruiker nauwkeurig te meten.

TRAININGSGEGEVENS: De gegevens die van elke workout worden verzameld, worden weergegeven in een vermogenscurve en een cumulatieve vermogensgrafiek, waardoor realtime vergelijkingen mogelijk zijn voor effectieve progressieve training.

NIVEAU AUTOMATISCH AANPASSEN: De ingebouwde potentiometer past het weerstands niveau van de monitor automatisch aan op basis van de positie van de afstelknop op de tank.

BLUETOOTH-CONNECTIVITEIT: Elke roeimachine is uitgerust met geavanceerde monitortechnologie, waardoor Bluetooth-connectiviteit met elk compatibel smart device mogelijk is. De monitor is ontworpen om te integreren met roeien- en fitness-apps en zal helpen bij effectief trainen, vastleggen en vergelijken van gegevens voor competitieve personen.

Inclusief de FLUID Rowing-app die beschikbaar is via de FLUID-website. Deze is compatibel met apps van derden en software-updates via Bluetooth.

OPMERKING: De hartslagriem en de Touch Heart Rate-hendel zijn afzonderlijk verkrijgbaar.

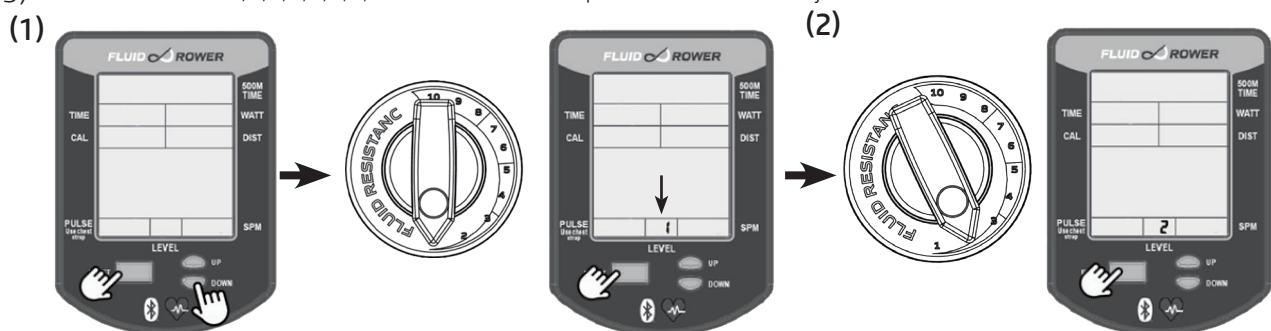
BATTERIJWAARSCHUWING: Om lekkage van batterijen te voorkomen, haalt u ze uit de monitor als u van plan bent om de apparatuur langer dan 30 dagen niet te gebruiken.

OPMERKING: De hartslagriem en de Touch Heart Rate-hendel zijn afzonderlijk verkrijgbaar.

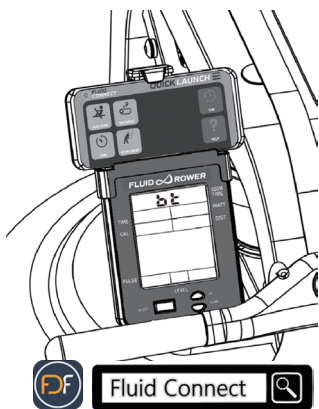
WAARSCHUWING: Hartslagbewakingssystemen kunnen onnauwkeurig zijn, overmatig sporten kan leiden tot ernstig letsel of de dood. Als u zich zwak voelt, moet u onmiddellijk stoppen met sporten en professioneel medisch advies inwinnen.

Kalibratieprocedure

- 1) Houd "RESET" en "DOWN" 5 seconden ingedrukt. Op de display wordt niveau 1 weergegeven. Draai de hendel naar niveau 1. Druk op Reset. Op de display wordt nu niveau 2 weergegeven. Kalibratie niveau 1 is voltooid.
- 2) Draai de hendel naar niveau 2. Druk op Reset. Op de display wordt nu niveau 3 weergegeven. Kalibratie niveau 2 is voltooid.
- 3) Herhaal dit voor 3,4,5,6,7,8,9,10 Niveau 10 Druk op Reset. Niveau 10 blijft. De kalibratie is voltooid.



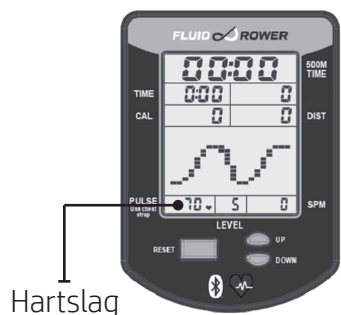
»» Connectiviteit van monitor en apps



1. Download de app “Fluid Connect” in de [App Store] of [Google Play].
2. Terwijl de console is INGESCHAKELD, begint Bluetooth te scannen om verbinding te maken met de telefoon/het toetsenblok.
3. Schakel de app FLUID CONNECT in op uw telefoon.
4. Druk op een pictogram van een work-out, de app zal de beschikbare console in de buurt doordringen.
5. Kies de console die u wilt koppelen.
6. Nadat de console is gekoppeld aan de app, wordt op de display van de console alleen BT weergegeven op het scherm.

»» Bluetooth-hartslagkoppeling

OPMERKING: De hartslagriem en de Touch Heart Rate-hendel zijn afzonderlijk verkrijgbaar.



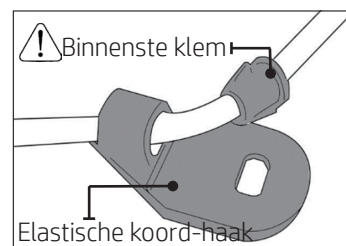
Zodra de console is ingeschakeld, zal deze automatisch verbinding maken met het dichtstbijzijnde Bluetooth hartslagapparaat.

Wanneer het koppelen is voltooid, zal de monitor de hartslag beginnen weer te geven.

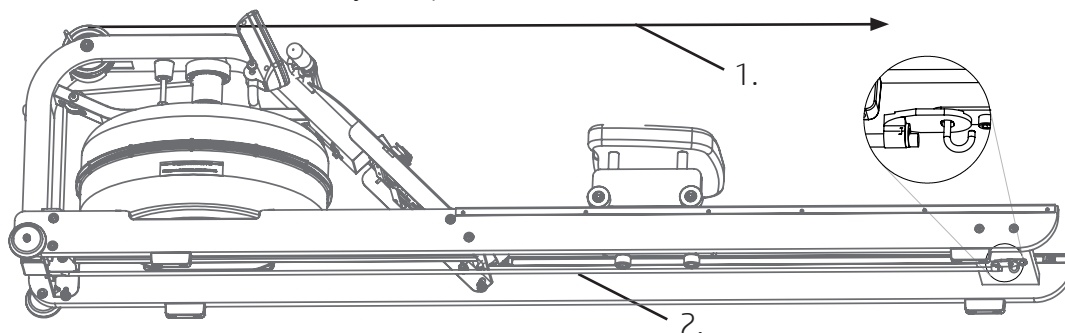
»» De aandrijfriem van de roeimachine losmaken

1. Om de riem los te maken, trekt u gewoon verder dan het normale bereik van de roeislag tot de riem loskomt van de bandriempoele.

Tip: U hoort het klittenband losgaan net voordat de riem los gaat.



2. Haak de elastieken schokkabel los van de achterste beugel. Druk vervolgens de binnenste klem uit de elastisch koord-haak. Trek het elastische koord door de binnenste klem totdat het vrij is. Hierdoor kan de elastieken schokkabel volledig uit het hoofdframe worden geschroefd en tot aan de riem-katrol worden gebracht, waar deze weer wordt bevestigd zodra de roeimachine-riem zich in de juiste positie bevindt.



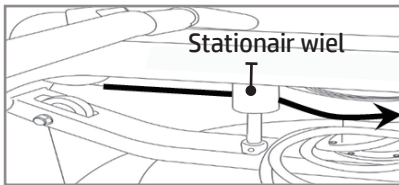
» De riem van de roeimachine terugplaatsen

STAP 1



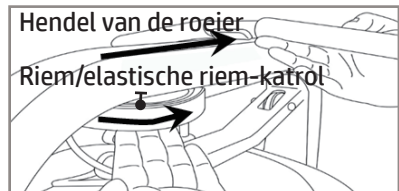
Breng de roeimachine-riem weer aan door deze om de riem-katrol van de roeimachine-riem te draaien met de klittenbandzijde naar boven gericht, zoals weergegeven.

STAP 2



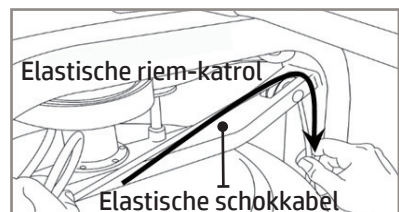
Leid vervolgens de riem om het stationair wiel zoals afgebeeld. Bevestig de roeimachine-riem aan de riem/elastische riem-katrol nadat hij rond het stationair wiel is gewikkeld. Er is een duidelijke "lip" op het bevestigingspunt.

STAP 3



Wikkel de roeimachine-riem op de riem/elastische riem-katrol totdat de hendel van de roeimachine in de meest voorwaartse positie staat.

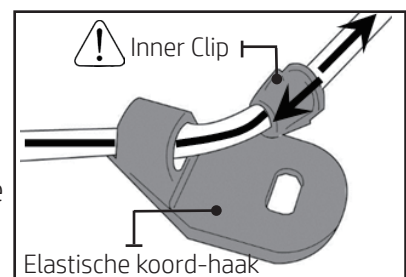
STAP 4



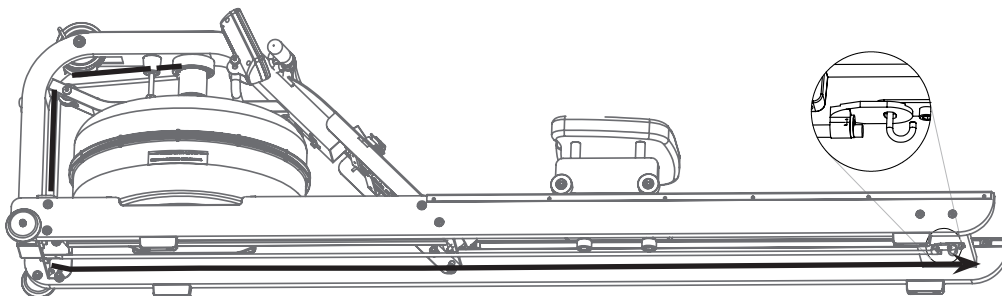
Haal de elastische schokkabel (aan de andere kant van het stationaire wiel) terug door de elastische riem-schijven en bind hem vast bij het bevestigingspunt.

STAP 5 De riem van de roeimachine terugplaatsen

De opspankracht zal na verloop van tijd afnemen naarmate de elastische schokkabel uitrekt. Om de opspankracht te verhogen drukt u de binnenste klem van achteren uit de elastische koord-haak, trekt u de vereiste hoeveelheid bungee door de binnenste klem en plaatst u de binnenste klem terug in de elastische riemhaak, zoals hieronder wordt weergegeven.



Hint: Voordat u de binnenste klem/elastische koord-haak weer bevestigt, moet u een schuifknoop onder lichte spanning aan de onderste elastische riem-katrol binden. Dit houdt het elastische koord onder spanning tijdens het opnieuw monteren van de elastische koord-haak.



» Onderhoud

Alle preventieve onderhoudsactiviteiten moeten regelmatig worden uitgevoerd. Het uitvoeren van routinematig preventief onderhoud kan helpen bij het veilig en probleemloos bedienen van alle apparatuur van Tunturi New Fitness BV.

Tunturi New Fitness BV is niet verantwoordelijk voor het uitvoeren van regelmatige inspectie- en onderhoudswerkzaamheden aan uw machines. Instrueer al het personeel in de inspectie- en onderhoudswerkzaamheden van de apparatuur en in de rapportage en registratie van ongevallen.

! **LET OP** Veeg en reinig de tank, rails en het roeistoelwielen met schoon water. Gebruik geen chemisch reinigingsmiddel.

Voorwerp	Tijdsbestek	Instructies
Rails en wielen van het roeistoel	Wekelijks	Veeg het frame en de wielen van de roeistoel schoon met een pluisvrije doek.
Frame	Wekelijks	Veeg het frame schoon met een pluisvrije doek.
Tank	Wekelijks	Gebruik alleen water en een schone doek om buitenzijde van de tank schoon te vegen. Gebruik GEEN chemisch reinigingsmiddel om de tank schoon te vegen.
Tank- en waterbehandeling	12 maanden tot 2 jaar	Volg de instructies zoals gespecificeerd in het hoofdstuk "Waterbehandelingsprocedure" van deze handleiding.
Elastisch koord	Controleer om de honderd uur of de spanning juist is en of er tekenen van slijtage zijn.	Het elastische koord zou vele jaren moeten meegaan. Als het elastische koord moet worden vervangen, neem dan contact op met uw plaatselijke servicevertegenwoordiger of ga naar www.fluid-eu.com voor meer informatie.
Roeriem	Controleer om de honderd uur of de spanning juist is en of er tekenen van slijtage zijn.	De roeriem zou jarenlang probleemloos moeten kunnen worden gebruikt. Als een roerlem moet worden vervangen, neem dan contact op met uw plaatselijke servicevertegenwoordiger of ga naar www.fluid-eu.com voor meer informatie.

» Problemen oplossen

Storing	Mogelijke oorzaak	Oplossing
Water verandert van kleur of wordt troebel.	De roeimachine staat in direct zonlicht of heeft geen waterbehandeling gehad. Plaatselijk kraanwater is van slechte kwaliteit.	Wijzig de locatie van de roeimachine om directe blootstelling aan zonlicht te verminderen. Voeg waterbehandeling toe of vervang tankwater zoals beschreven in het hoofdstuk Waterbehandeling van deze handleiding. Overweeg het gebruik van gedistilleerd water om de tank bij te vullen.
Roeriem slijt van riem/ elastische riem-katrol.	Elastisch koord niet genoeg onder spanning. Terugvering niet sterk genoeg	Haal het elastische koord aan volgens de instructies in het hoofdstuk "De riem van de roeimachine terugplaatsen" in deze handleiding bij "stap 5".
Inconsistente waarden op de roeimachine Houd de monitor in de gaten voor een deeltijd van 500 meter en SPM (slagen per minuut).	Sensoropening Defecte sensor Sensor is uit positie bewogen Kabelboom	Gebruik het batterijdeksel van de monitor als een "spleetgereedschap" om de spleet tussen de sensorkop en de magnetische ring te controleren, of controleer of de sensorkop van zijn plaats is geraakt. Neem contact op met de dichtstbijzijnde klantenservice van FLUID voor meer informatie
De monitor licht niet op nadat de batterij is geplaatst.	De batterijen zijn verkeerd geplaatst of moeten worden vervangen.	Plaats de batterijen terug in de juiste positie en probeer het opnieuw. Als het LCD-scherm niet oplicht, probeer dan de batterijen in de monitor iets te verdraaien. Als dit niet lukt, neem dan contact op met uw plaatselijke servicecentrum.
Het monitorscherm licht op, maar registreert niet tijdens roeien.	Losse of defecte verbinding. Sensoropening te breed	Controleer of de monitorkabel goed is aangesloten. Als de aansluiting in orde is, neemt u contact op met uw plaatselijke servicecentrum. Controleer de sensoropening.
Het MONITORNIVEAU is niet gesynchroniseerd met het TANKNIVEAU.	Het MONITORNIVEAU moet opnieuw worden gekalibreerd.	Zie „kalibratieprocedure" pagina 47 van deze handleiding.

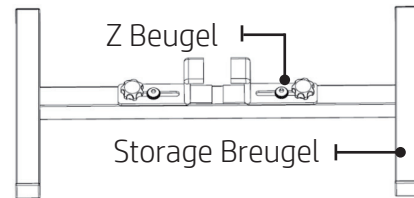
» Installatie van optionele bevestiging

Een bevestigingskit voor rechtop opbergen kan afzonderlijk worden aangeschaft.

STAP 1

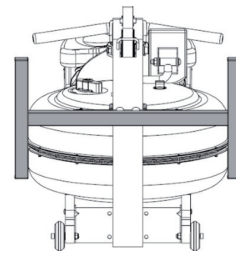
Breng de Z-beugel aan op de opslagbasis.

Opmerking: Draai de knop en de bout niet vast.



STAP 2

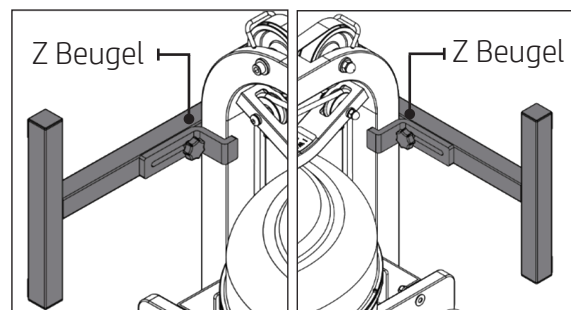
Breng de beugel aan op de roeimachine, zoals weergegeven.



STAP 3

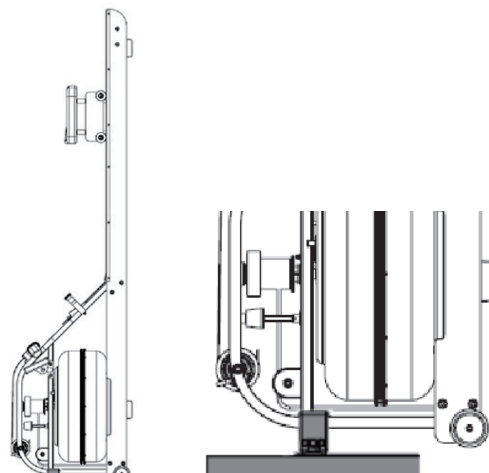
Draai de knop van de Z-beugel vast om deze aan de roeimachine te bevestigen.

Opmerking: Zorg ervoor dat de Z-beugel zich onder de middelste dwarsbalk bevindt



STAP 4

Zet de roeimachine verticaal op zijn plaats met het hoofdframe op de vloer. Gebruik de 8 mm inbussleutel om de bouten aan te halen.



» Internationale garantie

THUISGEBRUIK

Tunturi New Fitness BV garandeert dat de **VIKING 3 XL(MODEL VK3X)**, gekocht bij een erkende agent en in de onbeschadigde originele verpakking, vrij is van materiaal- en fabricagefouten. Fluid of diens vertegenwoordiger zal naar eigen goeddunken onderdelen repareren of vervangen die defect raken binnen de garantieperiode, met inachtneming van de specifieke hieronder genoemde uitzonderingen en uitsluitingen.

Hoofdframe – 10 jaar beperkte garantie

Tunturi New Fitness BV zal het metalen hoofdframe van de Rower repareren of vervangen als het niet werkt als gevolg van een defect in materiaal of vakmanschap binnen 10 jaar na de oorspronkelijke aankoop. De garantie is niet van toepassing op de coating van het frame.

Tank en afdichtingen van polycarbonaat – 5 jaar beperkte garantie

Tunturi New Fitness BV zal de polycarbonaattank of -afdichtingen repareren of vervangen als deze defect raken als gevolg van materiaal- of fabricagefouten binnen 5 jaar na de oorspronkelijke aankoop.

Mechanische componenten (van niet-slijtvaste aard) – 2 jaar beperkte garantie

Tunturi New Fitness BV zal mechanische componenten repareren of vervangen als deze defect raken als gevolg van materiaal- of fabricagefouten binnen 2 jaar na de oorspronkelijke aankoop.

Specifieke inclusies

- Frame van zitje
- Roeistoelrails
- As en schoepenmontage

Alle andere onderdelen (van een dragende aard) – 2 jaar beperkte garantie

Tunturi New Fitness BV zal om het even welke component repareren of vervangen indien het wegens om het even welk defect in materialen of vakmanschap faalt binnen 2 jaar na de oorspronkelijke aankoop.

Specifieke inclusies

- Elastisch terugslagkoord
- Handgrepen en voetbanden
- Polyester roeirlem
- Reistoel en roeistoelrails
- Alle katrollen, wielen en lagers
- Alle rubberen onderdelen
- Monitor en snelheidssensor (exclusief vervangbare batterijen)
- Voetplaten (draaien en schuiven)

Algemene uitsluitingen

- Schade aan de afwerking van enig onderdeel van de machine
- Schade als gevolg van verwaarlozing, misbruik, onjuiste montage of gebruik van de machine
- Eventuele kosten voor vracht of inklaring in verband met de retourzending of verzending van onderdelen
- Schade aan of verlies van goederen tijdens transport van welke aard dan ook
- Eventuele arbeidskosten die verband houden met een garantieclaim

Algemene voorwaarden

- Het serienummer van de machine moet correct worden geregistreerd bij Tunturi New Fitness BV of een van de door haar aangewezen distributeurs
- Tunturi New Fitness BV behoudt zich het recht voor om elk onderdeel te onderzoeken waar vervanging onder garantie wordt geclaimd
- De garantieperiode geldt alleen voor de oorspronkelijke koper vanaf de datum van aankoop en is niet overdraagbaar
- Het product moet in de originele verpakking naar de plaats van aankoop worden geretourneerd, met transport-, verzekerings- en aanverwante kosten die u betaalt en risico van verlies of schade dat u op zich neemt
- Tunturi New Fitness BV biedt geen andere garanties dan hier vermeld en wijst uitdrukkelijk alle garanties af die niet in deze garantie zijn vermeld. Noch Tunturi New Fitness BV noch haar medewerkers zijn verantwoordelijk voor incidentele of gevolgschade
- De garantie van de fabrikant gaat automatisch in bij de verkoop van het product aan de eindgebruiker of bij het verstrijken van één (1) jaar vanaf de productiemaand, afhankelijk van wat zich het eerst voordoet

» Introduction

Félicitations pour votre achat du rameur.

FLUID est fier de présenter le rameur en tant que produit à usage domestique doté d'une résistance aux fluides réglable brevetée.

Notre combinaison unique d'acier de précision et de cadres en bois massif n'incorpore que du frêne américain de la plus haute qualité qui est collecté à l'aide des dernières technologies en matière de récolte durable dans des plantations renouvelables.

Notez que de légères variations de couleur sont normales et font partie de l'art de mère nature. Les motifs de grain de bois et les teintes subtiles de chaque rameur rendent chaque unité très individuelle et conçue pour compléter n'importe quel environnement.

Suivez attentivement toutes les instructions pour le montage correct, le remplissage du réservoir, le traitement de l'eau, l'entretien et la sécurité.

L'accès à notre réseau mondial de distributeurs et d'entretien est disponible à l'adresse www.fluid-eu.com

Vérifiez le contenu des boîtes 1 et 2 pour vous assurer que toutes les pièces sont présentes et correctes avant l'assemblage.

Entraînement avec le rameur

1. Comme pour tout équipement de mise en condition physique, consultez un médecin avant de commencer votre programme d'exercices sur le rameur.
2. Suivez les instructions fournies dans ce manuel pour la position correcte du pied et les techniques de base de l'aviron.
3. Pour des techniques d'aviron plus détaillées, veuillez consulter notre site Web international sur www.fluid-eu.com

» Sécurité

Consignes de sécurité

- Avant d'utiliser ce produit, il est essentiel de lire ce manuel d'utilisation COMPLET et TOUTES les instructions. Le rameur est destiné à être utilisé uniquement de la manière décrite dans ce manuel.
- IL EST IMPORTANT DE COMPRENDRE CHAQUE AVERTISSEMENT AU MAXIMUM
- Comme pour tout équipement de mise en condition physique, consultez un médecin avant de commencer votre programme d'exercices sur le rameur.
- Veuillez noter que tout régime de mise en condition physique, avant d'être entrepris, doit être préférablement précédé d'un examen physique par un médecin certifié.
- Des problèmes de santé peuvent résulter d'un entraînement incorrect ou excessif.
- Arrêtez immédiatement la machine si des signes d'usure excessive sont présents sur les courroies, poulies et cordons élastiques. N'utilisez pas l'appareil tant que lesdites pièces n'ont pas été réparées ou remplacées.
- Ne laissez pas les enfants accéder sans surveillance à la machine.
- Le rameur peut être rangé verticalement. Pour ce faire, veuillez suivre les instructions données dans le manuel.
- Veuillez tenir les mains à l'écart des pièces mobiles, comme indiqué par l'étiquette d'avertissement sur le châssis principal de votre machine.
- Si l'un des dispositifs de réglage est laissé en saillie, il pourrait interférer avec le mouvement de l'utilisateur.
- Ne pas stocker dans des conditions de gel avec de l'eau dans le réservoir car elle peut se dilater et fissurer les composants.

Utilisation correcte

- Ne pas utiliser d'équipement d'une manière autre que celle conçue ou prévue par le fabricant. Il est impératif que l'équipement Tunturi New Fitness BV soit utilisé correctement pour éviter les blessures.
- Des blessures peuvent survenir si l'exercice est inapproprié ou excessif. Il est recommandé à toute personne de consulter un médecin avant de commencer un programme d'exercices. Si, à tout moment pendant l'exercice, vous sentez faible, étourdi ou ressentez de la douleur, ARRÊTEZ DE FAIRE DE L'EXERCICE et consultez votre médecin.
- Gardez les parties du corps (mains, pieds, cheveux, etc.), les vêtements et les bijoux loin des pièces mobiles pour éviter les blessures.
- Suivez les instructions fournies dans ce manuel pour la position correcte du pied et les techniques de base de l'aviron.
- Pour des techniques d'aviron plus détaillées, veuillez consulter notre site Web international www.firstdegreefitness.com

Inspection

- NE PAS utiliser ou permettre l'utilisation de tout équipement endommagé et/ou dont les pièces sont usées ou cassées. Pour tous les équipements FLUID, utilisez uniquement des pièces de rechange fournies par FLUID.
- Les câbles et les courroies présentent une responsabilité extrême s'ils sont utilisés lorsqu'ils sont effilochés. Remplacez toujours tout câble ou courroie au premier signe d'usure (consulter FLUID en cas de doute).

Sécurité

- ENTRETIEN DE L'ÉQUIPEMENT - L'entretien préventif est la clé du bon fonctionnement de l'équipement ainsi que du maintien de votre responsabilité au minimum. L'équipement doit être inspecté à intervalles réguliers.
- S'assurer que toute personne effectuant des ajustements ou des travaux d'entretien ou de réparation de quelque nature que ce soit est qualifiée pour le faire.
- N'ESSAYEZ PAS D'UTILISER OU DE RÉPARER UN ACCESSOIRE APPROUVÉ POUR UNE UTILISATION AVEC L'ÉQUIPEMENT FLUID QUI SEMBLE ENDOMMAGÉ OU USÉ.
- Vérifiez régulièrement toutes les courroies, poulies et cordons élastiques pour détecter tout signe d'usure et remplacez-les si nécessaire.
- Vérifiez régulièrement et suivez toutes les instructions d'entretien spécifiées dans ce manuel.
- Remplacez immédiatement toute pièce défectueuse et ne faites pas fonctionner l'appareil tant que toutes les réparations ne sont pas terminées

Avertissements de fonctionnement

- Éloignez les enfants de l'équipement. Les parents ou les autres personnes qui surveillent les enfants doivent assurer une surveillance étroite des enfants si l'équipement est utilisé en leur présence.
- Ne permettez pas aux utilisateurs de porter des vêtements amples ou des bijoux lorsqu'ils utilisent l'appareil. Il est également recommandé aux utilisateurs d'attacher les cheveux longs vers l'arrière et vers le haut pour éviter tout contact avec des pièces mobiles.
- Tous les passants doivent rester à l'écart de tous les utilisateurs, pièces mobiles et accessoires et composants attachés pendant le fonctionnement de la machine.
- **AVERTISSEMENT** N'insérez pas vos doigts dans le réservoir!
- **ATTENTION** Après l'exercice d'aviron, laissez l'appareil reposer pendant 5 minutes avant de le ranger
- **ATTENTION** Ne pas remplir au-delà de la marque d'étalonnage indiquée sur l'autocollant de niveau du réservoir, car un déversement d'eau peut se produire.
- **AVERTISSEMENT** N'utilisez jamais ce rameur sans les pieds correctement fixés dans les sangles de pied, ou sans la partie coulissante du repose-pied coulissant verrouillée en position!

ATTENTION

- Gardez les mains et les doigts loin des pièces mobiles, comme indiqué dans ce manuel.
- Le rameur peut être rangé verticalement. Assurez-vous qu'un endroit sûr est choisi, comme le coin d'une pièce ou contre un mur sur une surface uniforme et sécurisée
- Il est recommandé de ne pas exposer la machine à la lumière directe du soleil. Cela peut provoquer un vieillissement accéléré de la matière plastique, réduire la durée de vie de la coque du réservoir et même entraîner des déformations et des ruptures.

REMARQUE

Si la zone de stockage n'est pas de niveau, un accessoire supplémentaire est nécessaire (vendu séparément) pour maintenir le rameur stable dans une position de rangement verticale.

» Assemblage

Spécifications

Classe de produit: HC

Système de freinage: Indépendant de la vitesse

Poids net du produit: 34.18kg(75.34lb)

Poids brut du produit: 41.39kg(91.22lb)

Surface d'utilisation minimale de sécurité: 333(131,09") cm x 172(67,71")cm

Dimensions: 2130mm(83,86") Longueur x 540 mm(21,26") Largeur x 560 mm(22,04") Hauteur

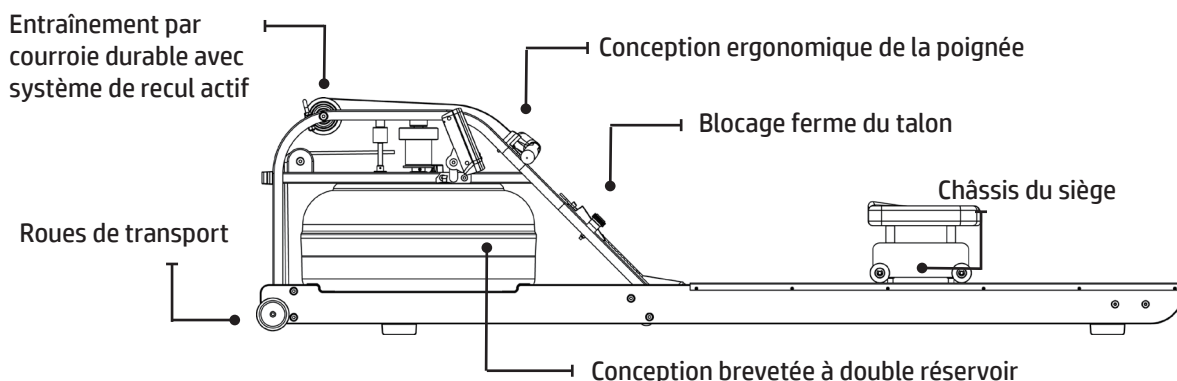
Poids maximal de l'utilisateur: 150 kg(330lb)

Encombrement compact: 2130 x 540 mm ou vertical 560 x 540 mm

Installation

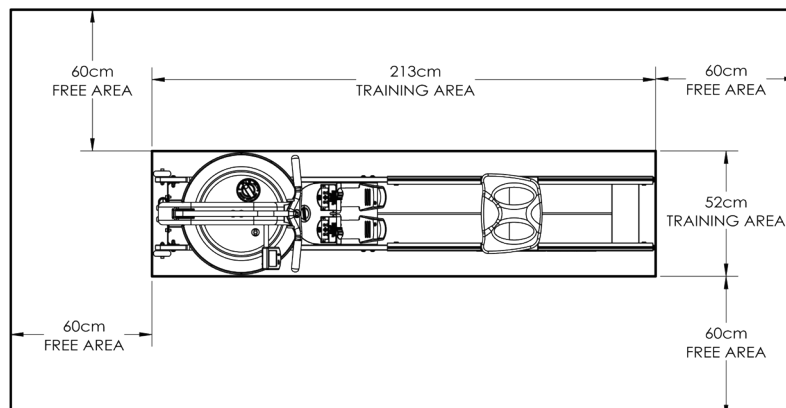
- Placer sur une surface plane et stable en position horizontale pendant l'utilisation pour une stabilité maximale.
- Vérifiez régulièrement toutes les courroies, poulies et cordons élastiques pour détecter tout signe d'usure et remplacez-les si nécessaire.
- Vérifiez régulièrement et suivez toutes les instructions d'entretien spécifiées dans ce manuel.
- Remplacez immédiatement toute pièce défectueuse et ne faites pas fonctionner l'appareil tant que toutes les réparations ne sont pas terminées.

Points forts du produit



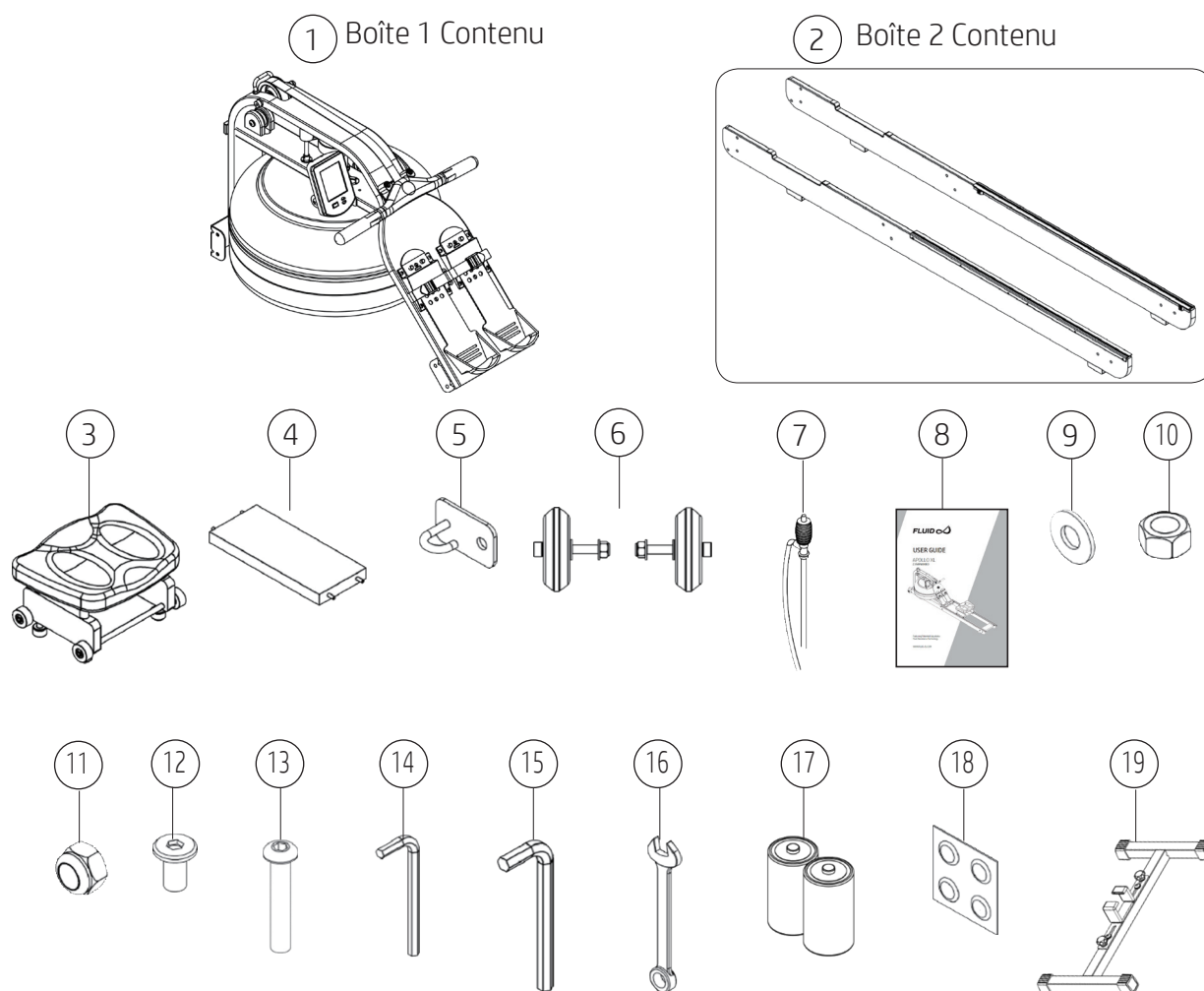
Espace et zone d'entraînement

L'espace doit être au moins 60 cm supérieur à la zone d'entraînement dans les directions d'accès à l'équipement. L'espace doit également inclure la zone de démontage d'urgence.



Remarque: Le rameur ne convient pas à des fins thérapeutiques.

» Contenu des boîtes 1 & 2 du rameur



Article	Qté.	Description	Article	Qté.	Description
1	1	Châssis principal	5	1	Montage de crochet élastique
2	2	Rail latéral gauche/droit	6	2	Ensemble de roue de transport
3	1	Siège du rameur	7	1	Siphon
4	1	Renfort arrière	8	1	Guide de l'utilisateur
Kit matériel					
9	16	Rondelle M8	14	1	Clé Allen 5 mm
10	8	Écrou standard M8	15	1	Clé Allen 6 mm
11	8	Écrou Nylock M8	16	1	Clé de 13 mm
12	4	Boulon M6 x 15 mm	17	2	Pile à cellules D
13	8	Boulon M8 x 45 mm	18	4	Comprimé de traitement de l'eau
Équipement optionnel (non inclus)					
19	1	Socle optionnel (non inclus)	21	1	Poignée tactile pour la fréquence cardiaque
20	1	Kit Elevate	22	1	Support pour smartphone

Instructions de montage

ÉTAPE 1

Installation du renfort arrière et de la roue de transport sur les rails latéraux

OBLIGATOIRE

Rail latéral gauche/droit [2]
 Renfort arrière [4]
 Montage de crochet élastique [5]
 Ensemble de roue de transport [6]
 4 boulons M6 x 15 mm [12]



AVERTISSEMENT

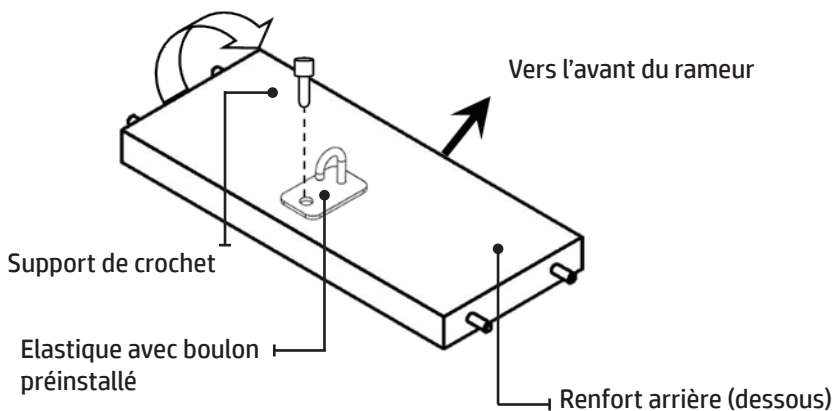
Faire pivoter le renfort arrière pour corriger l'orientation avant l'assemblage sur les rails latéraux.



AVERTISSEMENT

Remarque: les roues de transport doivent être montées à l'extérieur des rails latéraux comme indiqué ci-dessous. Ne serrez pas trop l'axe de la roue de transport car cela pourrait empêcher la rotation de la roue de transport.

- A) Commencez avec le renfort arrière et sur la face inférieure, vous trouverez un boulon préinstallé. Dans le kit de matériel, prenez le montage du crochet élastique et installez-le sur le renfort arrière comme indiqué. Notez que l'orientation du renfort et du crochet doit être correcte pour maintenir l'extrémité du cordon de choc élastique comme illustré par la flèche sur l'illustration, qui pointe vers l'avant du rameur.

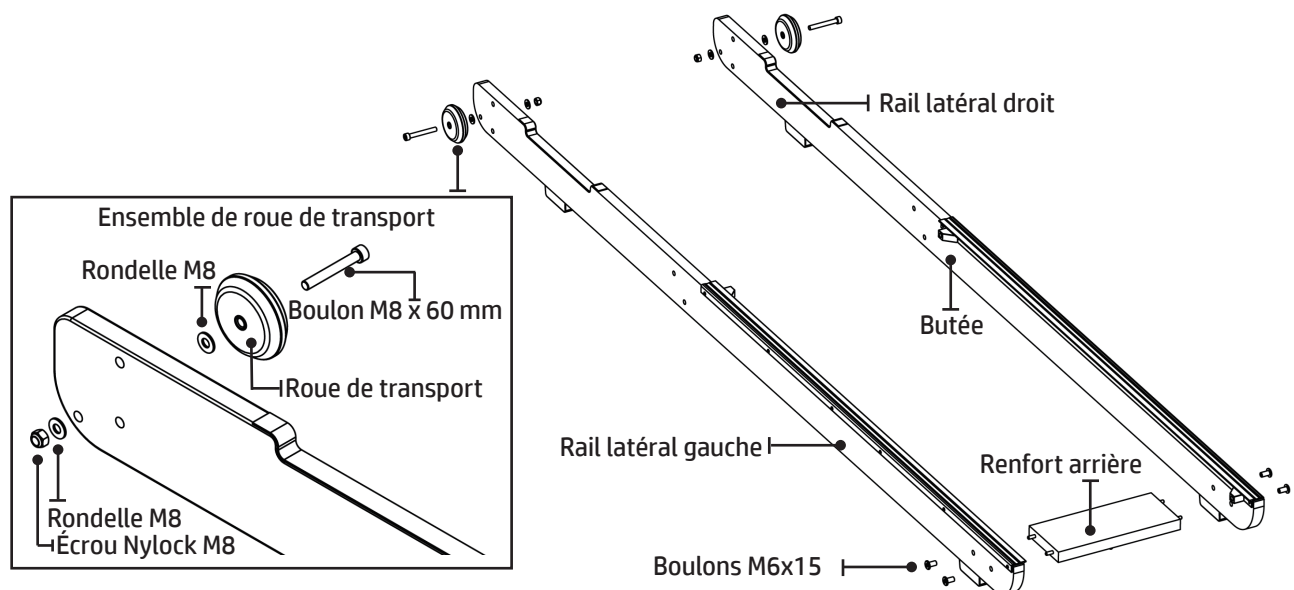


- B) Ensuite, raccordez le rail latéral gauche et le rail latéral droit [2] en utilisant 4 boulons M6 x 15 mm [12] et le boulon arrière [4]. **NE SERREZ PAS.**

Conseil: Butées orientées vers l'intérieur du rail pour une orientation correcte du montage.

- C) Une fois le renfort arrière et les rails latéraux assemblés, montez l'ensemble roue de transport [6] sur les rails latéraux gauche/droit [2].

Remarque: Une rondelle à l'extérieur et une rondelle à l'intérieur du rail latéral.



Instructions de montage

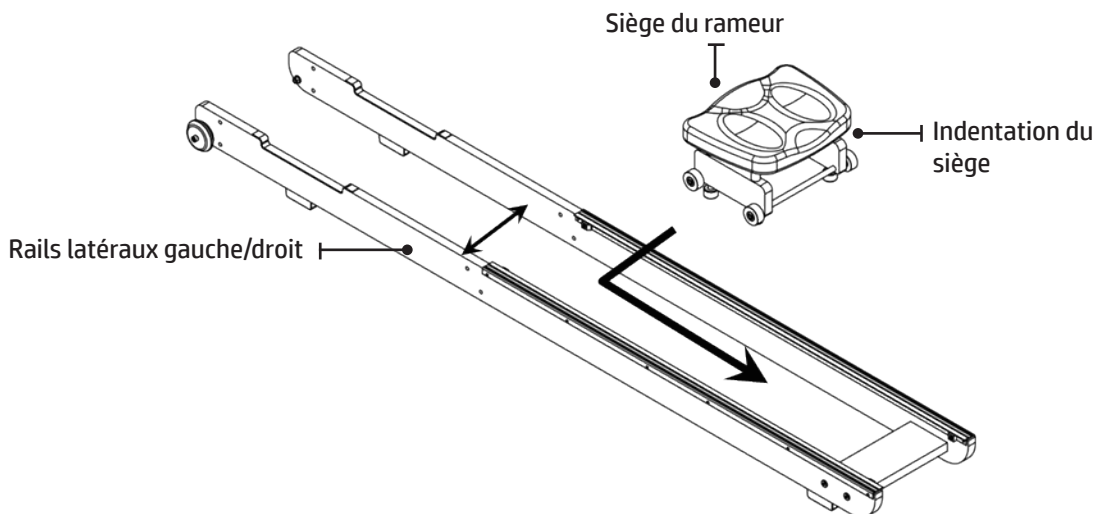
ÉTAPE 2 Montage du siège de rameur et du châssis principal supérieur

OBLIGATOIRE

Rail latéral gauche/droit [2]
Siège du rameur [3]

Pour installer le siège du rameur, écartez légèrement les rails latéraux gauche/droit [2] et déposez le siège du rameur [3] dans le rail.

Remarque: L'indentation du siège doit être orientée vers l'arrière.



ÉTAPE 3 Montage du siège de rameur et du châssis principal supérieur

OBLIGATOIRE

Châssis principal [1]
Ensemble de rails latéraux [2]
16 rondelles M8 [9]
8 écrous standard M8 [10]
8 écrous nyloc M8 [11]
8 boulons M8 x 45 mm [13]

Ensuite, installez le Châssis principal [1] sur l'ensemble des rails latéraux [2] comme indiqué. Vous aurez besoin de 8 boulons M8 x 45 mm [13], 16 rondelles M8 [9], 8 écrous M8 standard [10] et 8x écrous M8 Nyloc [11].

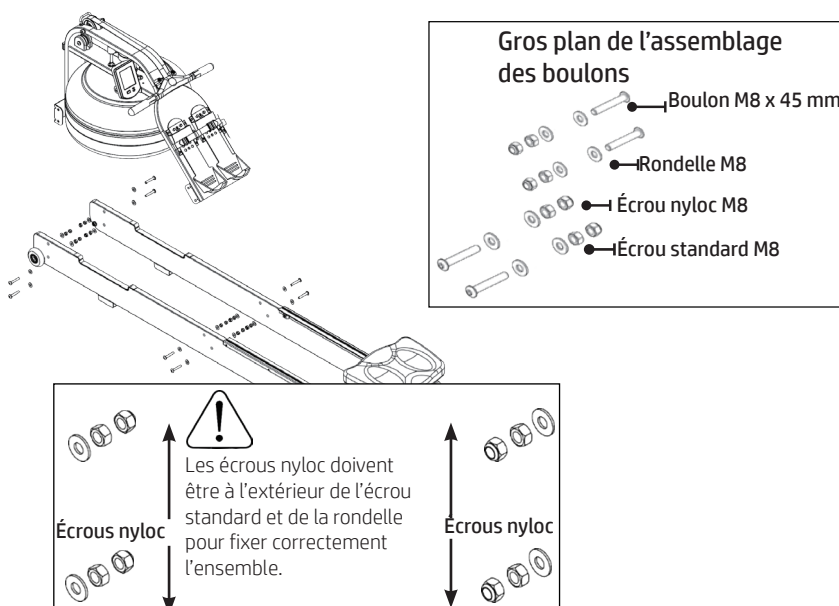
Fixez d'abord le support inférieur avant, puis le marchepied, mais **NE SERREZ PAS**. Vous constaterez peut-être que les boulons du support inférieur peuvent être difficiles d'accès. Vous pouvez serrer complètement ces boulons une fois que le rameur est debout en position verticale, donc pour le moment, alignez simplement et vissez légèrement les boulons/écrous inférieurs.

! PRUDENCE

Les écrous nyloc doivent être à l'extérieur de l'écrou standard et de la rondelle pour fixer correctement l'ensemble.

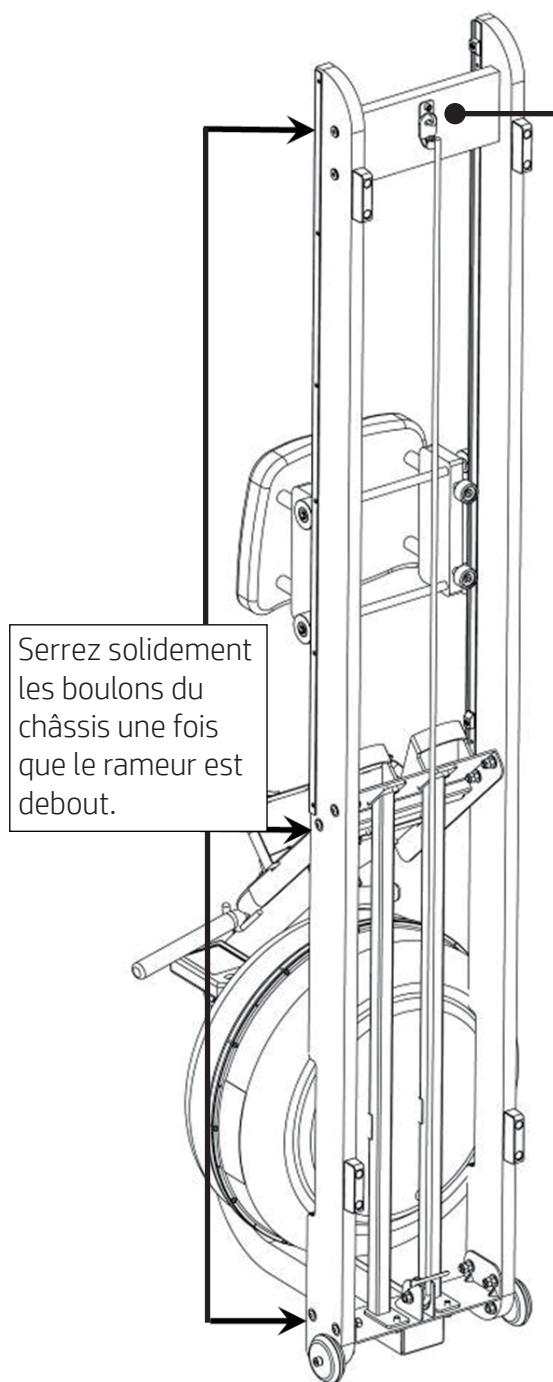
! REMARQUE

Nettoyez les roues et les rails chaque semaine avec un chiffon doux et sec afin de réduire la vitesse d'usure des roues et des rails.



» Instructions de montage

ÉTAPE 4 → Achèvement de l'assemblage du rameur



Tirez sur le tendeur et accrochez son extrémité sur le crochet de fixation pour tendeur comme indiqué.



⚠ Ne coupez pas l'attache du tendeur avant que le tendeur ne soit attaché à l'arrière du rameur comme indiqué ici.

Une fois que le cordon élastique est fixé au renfort arrière, serrez les boulons qui maintiennent le marchepied, le châssis principal aux boulons du rail latéral car ils sont plus faciles d'accès depuis la position verticale.

Abaissez le rameur en position horizontale et testez le recul approprié de l'élastique.

Vérifiez que les rouleaux/patins du siège ne contiennent pas de saleté ou de débris avant de vous asseoir sur le siège du rameur. Les petits objets pris entre les rouleaux et les patins du siège peuvent endommager les roues ou la surface de course. Vérifiez les patins pour les débris avant chaque utilisation et nettoyez-les régulièrement.

Remarque : Les boulons du châssis du rameur nécessitent une vérification périodique de l'étanchéité. Faites-le à la fin du premier mois d'utilisation et à nouveau tous les 12 mois

Choisissez un emplacement approprié lorsque vous mettez le produit en position verticale pour le ranger.

Le châssis du rameur peut être poli avec n'importe quelle cire à meubles de haute qualité pour souligner davantage le lustre riche de la finition du bois.

Installez les 2 piles à cellules D fournies et vérifiez le fonctionnement du moniteur. Les détails relatifs se trouvent dans la section de l'écran de ce manuel.

Choisissez une surface plane pour utiliser votre rameur, afin d'éviter tout basculement et une usure prématurée.

» Instructions d'utilisation

Réservoir à résistance réglable (AR)

Le réservoir à résistance réglable (AR), développé et breveté par FLUID, offre une véritable expérience à plusieurs niveaux. L'eau est déplacée entre les chambres de « stockage » et « active » du réservoir AR. Votre nouvel ergomètre du rameur peut s'adapter - en tournant un cadran - à la résistance préférée de chaque utilisateur.

Démarrage

Pour obtenir une résistance minimale, sélectionnez « 1 » sur le réglage du réservoir. Il faut 10 coups pour remplir le réservoir central (stockage), en laissant une quantité minimale d'eau dans le réservoir extérieur (actif). Ce processus est toujours nécessaire si une résistance minimale est souhaitée. Ramez fort à un rythme régulier (20 à 25 coups par minute [CPM]) et faites un effort pendant le coup, en veillant à maintenir une bonne forme. Vous pouvez ajuster le niveau de résistance pendant que vous ramez. Votre réservoir AR s'adapte presque instantanément aux augmentations de résistance, mais prend jusqu'à 10 coups pour réduire l'effort requis, à mesure que le réservoir central (stockage) se remplit.

Développer votre routine

Une fois que vous avez trouvé un niveau qui vous donne l'exercice requis, des changements peuvent être apportés aux CPM et à l'intensité de la course pour varier davantage votre apport énergétique. L'entraînement par intervalles est utilisé par la plupart des rameurs, où une période de faible intensité est combinée à de courts intervalles de haute intensité. Votre ergomètre d'aviron FLUID permet des changements « à la volée », pour obtenir des profils de résistance à plusieurs niveaux au cours d'un seul entraînement. Pour plus d'informations sur les routines d'exercice, veuillez visiter notre site Web sur www.fluid-eu.com

Procédures de remplissage et de traitement de l'eau des réservoirs

OBLIGATOIRE

Siphon [7]

! ATTENTION

Le dispositif de réglage de la résistance doit être réglé sur NIVEAU 10 pour permettre une capacité de remplissage précise.

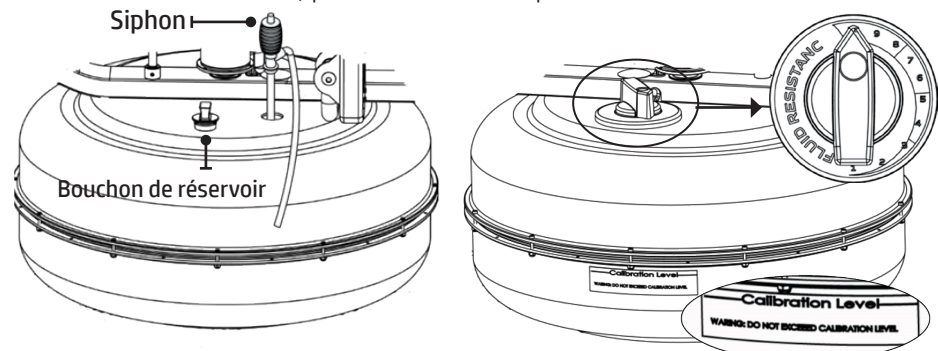
! AVERTISSEMENT

Ne pas trop remplir le réservoir au-delà du niveau maximum indiqué de 17 litres. Reportez-vous à l'autocollant du niveau du réservoir sur la face inférieure du réservoir.

! REMARQUE

Dans les zones où la qualité de l'eau du robinet est connue pour être médiocre, FLUID recommande l'utilisation d'eau distillée.

- Retirez le bouchon du haut du réservoir.
- Placez un grand seau d'eau à côté du rameur. Positionnez le **siphon [7]** avec un tuyau rigide dans le seau et un tuyau flexible dans le réservoir.
- Presser le siphon pour commencer le remplissage. Important: Ne pas trop remplir le réservoir
- Lorsqu'il est plein, ouvrez la vanne sur le dessus du siphon pour permettre à l'excès d'eau de s'échapper.
- Une fois le remplissage terminé, suivez le calendrier de traitement de l'eau ci-dessous, puis remettez en place le bouchon du réservoir.

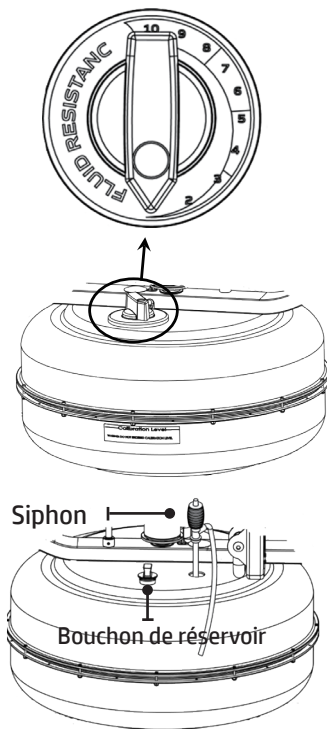


NIVEAU 1: Ce réglage maintient une partie de l'eau en réserve, créant une légère résistance.

NIVEAU 10: Ce réglage permet à la quantité maximale d'eau d'atteindre le volant d'inertie pour une résistance plus forte.

» Instructions d'utilisation

Retrait/changement de l'eau du réservoir



- Réglez le bouton de réglage sur "1"
- Ramez au moins dix coups pour remplir le réservoir de stockage aussi complètement que possible.
- Retirez le bouchon du réservoir.
- Insérez l'extrémité rigide du siphon dans le réservoir et le tuyau flexible dans un grand seau.
- Vidangez le réservoir (il va rester environ 40 % de l'eau), puis remplissez-le en suivant les instructions pour le remplissage du réservoir, comme décrit dans la section relative au remplissage du réservoir de ce manuel.

Remarque:

- La vanne sur le dessus du siphon doit être fermée pour permettre un drainage adéquat.
- Le traitement de l'eau évite d'avoir à changer l'eau du réservoir si le calendrier de traitement est maintenu.
- Un comprimé de traitement de l'eau supplémentaire n'est nécessaire que lorsqu'une décoloration apparaît dans l'eau.
- L'exposition au plein soleil réduit la durée de vie des comprimés de traitement de l'eau. Ranger le rameur à l'abri de la lumière directe du soleil prolonge le temps entre les traitements de l'eau.
- Il va rester environ 40 % de l'eau du réservoir. Il n'est pas possible de vider complètement le réservoir AR sans démontage.

REMARQUE: Pour un remplissage et/ou une vidange simple, rapide et efficace du réservoir, nous disposons en option d'une pompe à piles (rechargeable par USB). Nous le recommandons à toute installation commerciale, avec plusieurs appareils, qui a besoin de vider et de remplir les réservoirs de temps en temps. Pour acheter, contactez votre distributeur Tunturi New Fitness BV le plus proche ou rendez-vous sur notre site Web sur www.fluid-eu.com pour plus de détails.

! ATTENTION Il est fortement recommandé d'utiliser un chiffon de protection sous le réservoir chaque fois que le bouchon du réservoir est ouvert pour le traitement de l'eau.

Traitement Initial De L'eau

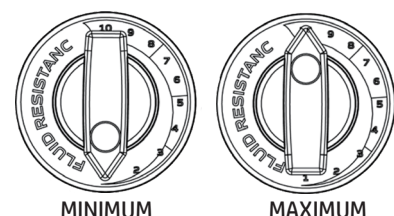
Pour les comprimés de remplacement, N'UTILISEZ EN AUCUN CAS UN COMPRIMÉ DE TRAITEMENT DE L'EAU AUTRE QUE CEUX FOURNIS AVEC VOTRE APPAREIL. contactez votre distributeur local Tunturi New Fitness BV. Les calendriers de traitement de l'eau pour le RAMEUR varient en fonction de l'exposition des réservoirs à la lumière du soleil, mais prévoyez 8 à 12 mois près d'une fenêtre lumineuse et ensoleillée et 2 ans ou plus pour un endroit plus sombre. Si vous trouvez l'eau légèrement trouble, ajoutez un comprimé de traitement de l'eau.

Mode de réglage de la résistance

Sélectionnez votre résistance aux fluides préférée.

REMARQUE : le niveau du moniteur indiquera automatiquement la résistance du fluide sélectionnée sur le réservoir.

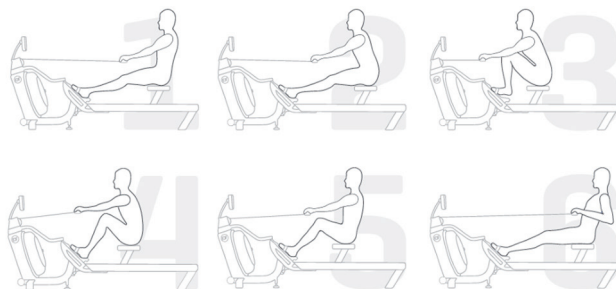
Lors du réglage du niveau de résistance, laissez deux coups pour ressentir une augmentation et dix coups ressentir une diminution.



» Instructions d'utilisation

Commencez à ramer

Il y a six phases pour effectuer un coup d'aviron



1. Asseyez-vous avec les jambes et le dos droits, en vous penchant légèrement en avant au niveau des hanches, les bras tendus et les mains au niveau des côtes inférieures. Reculez.
2. Jambes et dos droits, légèrement penché en avant des hanches, bras en avant. Penchez-vous et glissez vers l'avant.
Remarque: Les mains doivent maintenant être autour de vos genoux, en gardant les jambes droites.
3. Les jambes s'avancent, pour que les tibias soient verticaux. Le dos est toujours droit et la posture légèrement penchée vers l'avant avec les bras toujours à l'avant. Maintenant forcez, c'est l'OBJECTIF.
4. Les genoux partiellement redressés de sorte que le siège soit maintenant à mi-parcours, le dos et les bras toujours droits. Maintenez la course.
5. Les genoux sont presque droits, le dos est toujours droit mais maintenant penché légèrement en arrière des hanches. Bras droits. Maintenant, resserrez-vous.
6. Jambes maintenant complètement étendues. Le dos droit et légèrement penché en arrière, tirez maintenant avec les bras de manière à ce qu'ils soient près de la poitrine, les avant-bras horizontaux et les coudes proches de la cage thoracique. C'est la FIN.

Pour plus d'informations sur la technique d'aviron correcte et des conseils d'entraînement, visitez notre site Web www.fluid-eu.com

! ATTENTION: Consultez toujours un médecin avant de commencer un programme d'exercices. Arrêtez immédiatement si vous sentez faible ou étourdi.

! ATTENTION: Ne ramez pas d'un côté.

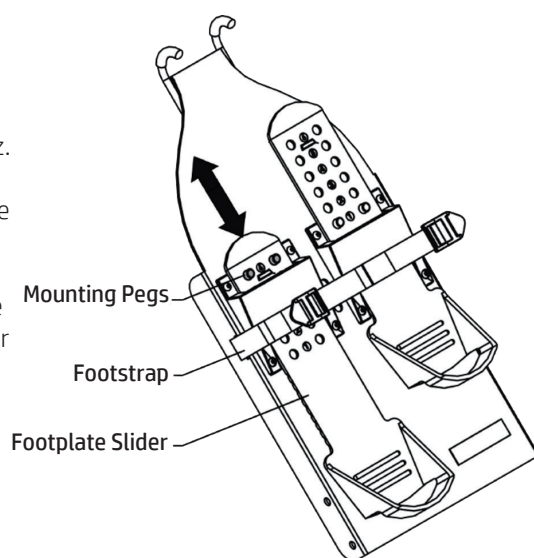
Ajustez les repose-pieds

La coulisse de repose-pied s'adapte à la plupart des tailles de pieds et est conçue pour maintenir vos pieds en place pendant que vous ramez. Les pieds doivent être positionnés de manière à ce que la sangle de pied couvre la section du pied naturellement courbée. (p. ex. la planche du pied)

POUR AJUSTER:

Soulevez le haut du repose-pied par rapport aux chevilles de montage et coulissez verticalement entre 1 et 6 pour vous adapter à la longueur de votre pied. Fixez en accrochant le repose-pied aux chevilles de montage et en appuyant fermement vers le bas pour le verrouiller en position. Placez les pieds sur les repose-pied et serrez les sangles pour vous assurer que vos pieds sont fermement en appui contre les emplacements des talons.

Remarque: L'emplacement du talon doit se plier pour permettre à votre pied de pivoter naturellement lorsque vous ramez.



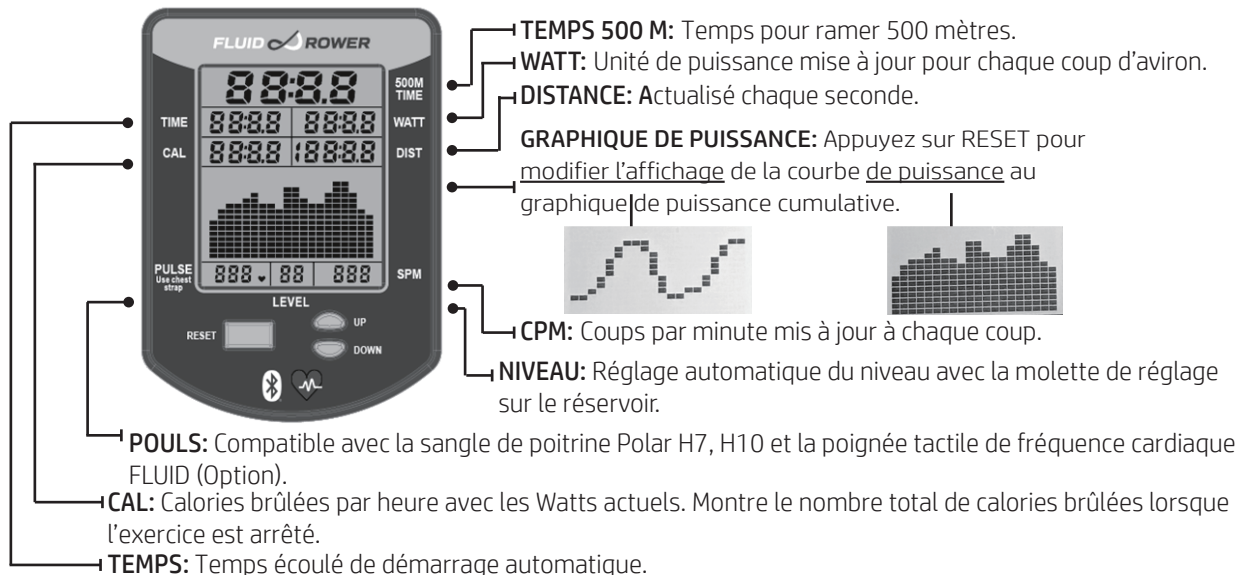
! AVERTISSEMENT: N'utilisez jamais ce rameur sans les pieds correctement fixés dans les sangles de pied, ou sans la partie coulissante du repose-pied coulissant verrouillée en position!

Moniteur à réglage automatique par Bluetooth

Démarrage automatique: Commencez l'exercice pour l'activer.

Réinitialisez toutes les valeurs: Appuyez sur le bouton RESET et maintenez-le enfoncé pendant 3 secondes.

Mise hors tension automatique: Plus de 5 minutes. Toutes les valeurs reviennent à zéro après le redémarrage.



WATT: Mesure la puissance maximale en watts, en calculant la force et l'accélération pour mesurer la puissance d'un utilisateur avec précision.

DONNÉES D'ENTRAÎNEMENT: Les données recueillies de chaque exercice sont affichées dans une courbe de puissance et un graphique de puissance cumulative, permettant des comparaisons en temps réel pour un entraînement progressif efficace.

RÉGLAGE AUTOMATIQUE DU NIVEAU: Le potentiomètre intégré ajuste automatiquement le niveau de résistance du moniteur selon la position de la molette de réglage sur le réservoir.

CONNECTIVITÉ BLUETOOTH: Chaque rameur est doté de la technologie de moniteur la plus moderne, permettant la connectivité Bluetooth avec n'importe quel appareil intelligent compatible. Conçu pour une intégration avec les applications d'aviron et de fitness, le moniteur aidera à la progression efficace de l'entraînement, en capturant et en comparant les données pour les compétiteurs. Comprend l'application FLUID Rowing disponible sur le site Web de FLUID. Elle est compatible avec une application tierce et une mise à jour logicielle par Bluetooth.

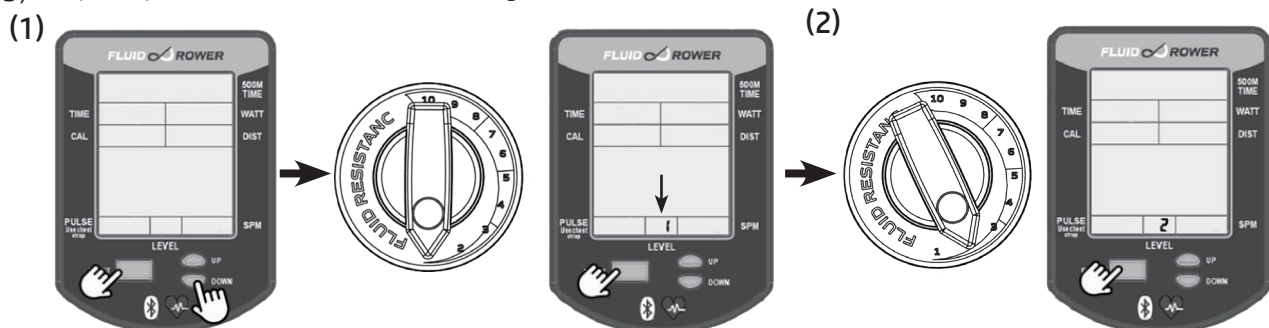
REMARQUE: La sangle de poitrine de fréquence cardiaque et la poignée tactile de fréquence cardiaque sont vendues séparément.

AVERTISSEMENT CONCERNANT LES PILES : pour éviter que les piles ne fument, retirez-les du moniteur si vous prévoyez de ne pas utiliser l'équipement pendant plus de 30 jours.

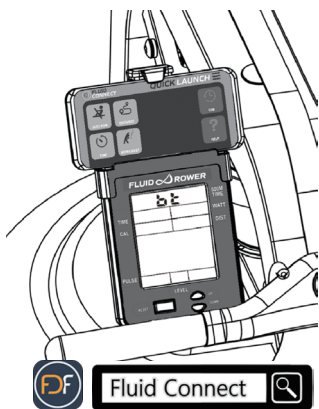
AVERTISSEMENT: Les systèmes de surveillance de la fréquence cardiaque peuvent être inexacts, un exercice excessif peut entraîner des blessures graves ou la mort. Si vous sentez faible, arrêtez immédiatement de faire de l'exercice et consultez un professionnel de la santé.

Procédure d'étalonnage

- 1) Appuyez et maintenez enfoncé **RESET** et **DOWN** pendant 5 secondes. L'écran affiche "niveau 1"
Tournez la poignée sur niveau 1. Appuyez sur le bouton de réinitialisation.
L'écran affiche maintenant niveau 2. L'étalonnage du niveau 1 est terminé.
- 2) Tournez la poignée sur niveau 2. Appuyez sur le bouton de réinitialisation. L'écran affiche maintenant niveau 3.
L'étalonnage du niveau 2 est terminé.
- 3) Répétez pour 3, 4, 5, 6, 7, 8, 9, 10. L'étalonnage est terminé.

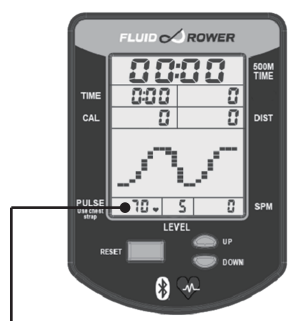


» Connectivité moniteur et APP



1. Téléchargez l'application « Fluid Connect » depuis l'[App Store] ou [Google Play].
2. Pendant que la Console est en marche, le Bluetooth commence à scanner pour se connecter au téléphone et/ou à la tablette.
3. Activez l'application FLUID CONNECT dans votre téléphone.
4. Appuyez sur un icône d'exercice, et l'application commence à rechercher la console disponible à proximité.
5. Choisissez la console à laquelle vous souhaitez vous connecter.
6. Une fois que la console est connectée à l'application, l'affichage de la console montre seulement « BT » sur l'écran.

» Appairage de la fréquence cardiaque par Bluetooth



Fréquence cardiaque

REMARQUE: La sangle de poitrine de fréquence cardiaque et la poignée tactile de fréquence cardiaque sont vendues séparément.

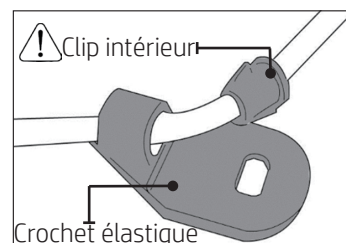
Le moniteur effectue automatiquement l'appairage avec le dispositif de fréquence cardiaque Bluetooth le plus proche.

Quand l'appairage est terminé, le moniteur revient à l'écran initial et commence à afficher la fréquence cardiaque.

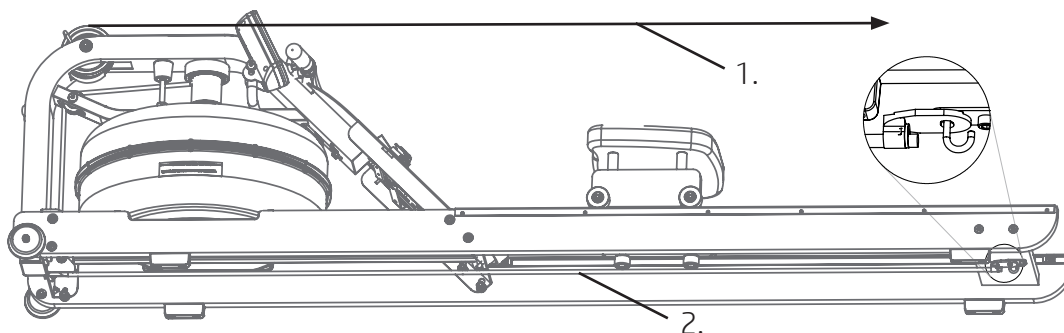
» Détachement de la courroie du rameur

1. Pour détacher la courroie, il suffit de tirer au-delà de la portée de la course normale de l'aviron jusqu'à ce que la courroie se détache de la poulie élastique de la courroie.

Conseil: Vous entendrez le Velcro se séparer juste avant le détachement de la courroie.



2. Décrochez le cordon amortisseur élastique du renfort arrière. Ensuite, poussez le clip intérieur du crochet élastique. Tirez l'élastique à travers le clip intérieur jusqu'à ce qu'il soit libre. Cela permet au cordon amortisseur élastique d'être complètement sorti du châssis principal et d'aller jusqu'à la poulie élastique de la courroie où il est rattaché une fois que la courroie du rameur est dans la bonne position.



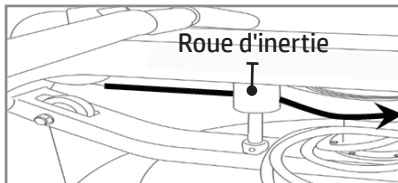
» Remise en place de la courroie du rameur

ÉTAPE 1



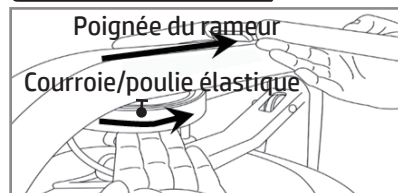
Commencez à rattacher la courroie du rameur en l'enroulant autour de la poulie de la courroie du rameur avec le côté velcro vers le haut comme illustré.

ÉTAPE 2



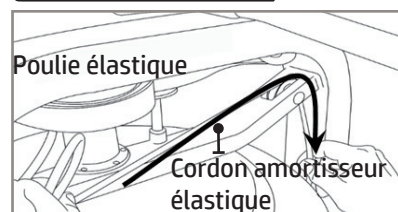
Ensuite, enroulez la courroie autour de la roue d'inertie comme indiqué. Une fois autour de la roue d'inertie, attachez la courroie du rameur à la poulie élastique/courroie. Il y a une « lèvre » évidente au point d'attache.

ÉTAPE 3



Enroulez la courroie du rameur sur la poulie de courroie/élastique jusqu'à ce que la poignée du rameur soit dans la position la plus avancée.

ÉTAPE 4

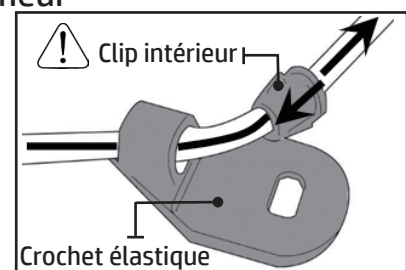


Réenroulez le cordon amortisseur élastique (du côté opposé de la roue d'inertie) à travers les poulies élastiques et attachez-le au point d'attache.

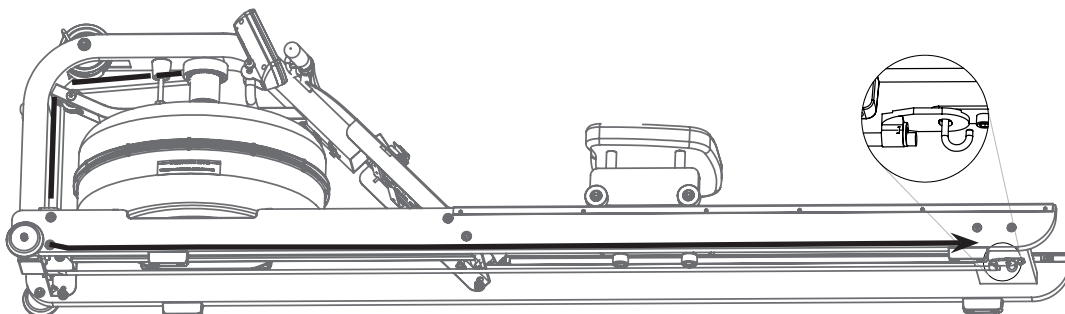
ÉTAPE 5

Remise en place de la courroie du rameur

La tension de recul diminue avec le temps à mesure que le cordon amortisseur élastique s'étire. Pour augmenter la tension de recul, poussez simplement le clip intérieur hors du crochet élastique par derrière, tirez la quantité requise d'élastique à travers le clip intérieur et remplacez le clip intérieur dans le crochet élastique comme indiqué ci-dessous.



Suggestion: Avant de refixer le clip intérieur/crochet élastique, réalisez un nœud coulissant avec une légère tension sur la poulie élastique inférieure. Cela maintient l'élastique sous tension tout en réassemblant le crochet élastique.



» Entretien

Toutes les activités d'entretien préventif doivent être effectuées régulièrement. L'exécution d'actions de maintenance préventive de routine peut aider à assurer un fonctionnement sûr et sans problème de tous les équipements Tunturi New Fitness BV.

Tunturi New Fitness BV n'est pas responsable de l'exécution régulière des actions d'inspection et de maintenance de vos machines. Former tout le personnel aux mesures d'inspection et d'entretien de l'équipement, ainsi qu'à la déclaration et à l'enregistrement des accidents.

! **ATTENTION** Essuyez et nettoyez le réservoir, les rails et les roues du siège avec de l'eau propre. N'utilisez aucun nettoyant chimique.

Article	Fréquence	Instructions
Rails et roues de siège	Hebdomadaire	Essuyez les rails de siège et les roues de siège avec un chiffon non pelucheux.
Châssis	Hebdomadaire	Essuyez le châssis avec un chiffon non pelucheux.
Enveloppe du réservoir	Hebdomadaire	N'utilisez que de l'eau et un chiffon propre pour essuyer l'enveloppe du réservoir. N'utilisez PAS de nettoyant chimique pour essuyer l'enveloppe du réservoir.
Traitement des réservoirs et de l'eau	12 mois à 2 ans	Suivez les instructions spécifiées dans la section « Procédure de traitement de l'eau » de ce manuel.
Cordon élastique	Vérifiez toutes les cent heures la tension correcte et les signes d'usure.	Le cordon élastique doit durer de nombreuses années. Si une modification du cordon élastique est requise, veuillez contacter votre représentant d'entretien local ou aller en ligne sur www.fluid-eu.com pour plus de détails.
Courroie d'aviron	Vérifiez toutes les cent heures la tension correcte et les signes d'usure.	La courroie d'aviron doit permettre de nombreuses années d'utilisation sans problème. Si un changement de courroie d'aviron est nécessaire, veuillez contacter votre représentant d'entretien local ou aller en ligne sur www.fluid-eu.com pour plus de détails.

» Dépannage

Défaillance	Cause probable	Solution
L'eau change de couleur ou devient trouble.	Le rameur est en plein soleil ou n'a pas subi de traitement de l'eau. L'eau du robinet locale est de qualité médiocre.	Changez l'emplacement du rameur pour réduire l'exposition directe au soleil. Ajoutez le traitement de l'eau ou changez l'eau du réservoir comme indiqué dans la section sur le traitement de l'eau de ce manuel. Envisagez d'utiliser de l'eau distillée pour remplir le réservoir.
Courroie du rameur glissant hors de la poulie de courroie/élastique.	L'élastique n'est pas assez tendu. Le recul n'est pas assez fort.	Serrez le cordon élastique en suivant les instructions de la section « Remise en place de la courroie du rameur » de ce manuel à l'étape 5.
Valeurs incohérentes affichées sur le rameur Surveillez le temps de fractionnement de 500 mètres et les CPM (coups par minute).	Écart du capteur Capteur défectueux Le capteur s'est déplacé hors de position Faisceau de câbles	Utilisez le couvercle des piles du moniteur comme un « outil d'écart » pour vérifier l'écart entre la tête du capteur et l'anneau magnétique, ou voyez si la tête du capteur s'est déplacée. Veuillez contacter le centre de service à la clientèle de FLUID le plus proche pour plus de détails.
Le moniteur ne s'allume pas après l'installation des piles.	Connexion lâche ou défectueuse. Écart de capteur trop large.	Vérifiez que le câble du moniteur est correctement connecté. S'il est connecté, contactez votre centre de service local. Vérifiez l'écart du capteur.
L'écran du moniteur s'allume, mais n'enregistre pas lorsque vous ramez.	Loose or failed connection. Sensor gap too wide	Check that the Monitor lead is connected properly. If it is connected then contact your local service center. Check Sensor gap.
Le LEVEL du moniteur n'est pas synchronisé avec le LEVEL du réservoir.	Le LEVEL du moniteur doit être réétalonné.	Veuillez consulter « Procédure d'étalonnage » en page 64 de ce manuel.

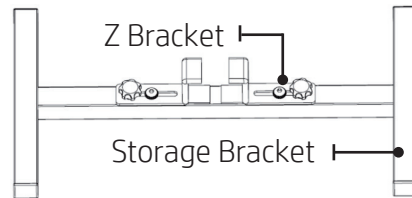
» Installation d'accessoires en option

Un kit de fixation pour le rangement vertical peut être acheté séparément.

ÉTAPE 1

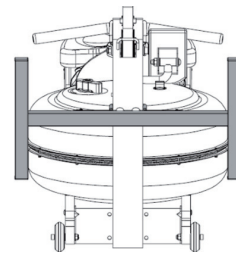
Installez le support Z sur la base de stockage.

Remarque: Ne serrez pas le bouton et le boulon.



ÉTAPE 2

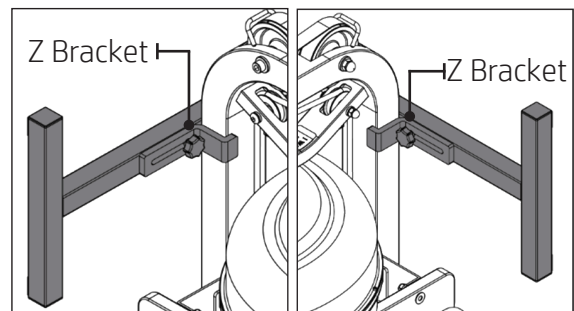
Installez le support sur le rameur comme indiqué.



ÉTAPE 3

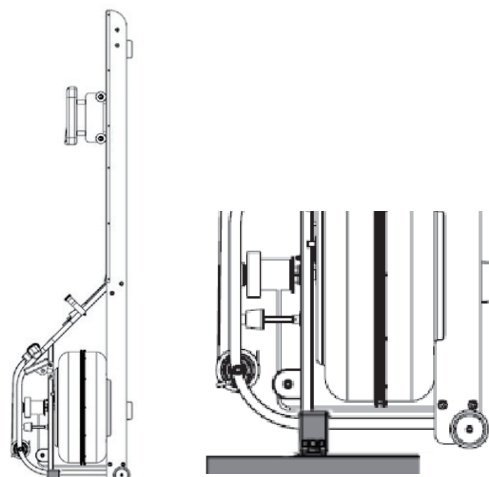
Serrez le bouton du support Z pour le fixer au rameur.

Remarque: Assurez-vous que le support Z est bien fixé sous la traverse centrale.



ÉTAPE 4

Placez le rameur verticalement avec le châssis principal sur le sol. À l'aide de la clé Allen de 8 mm, serrez les boulons.



» Garantie internationale

USAGE DOMESTIQUE

Tunturi New Fitness BV garantit que l'appareil **VIKING 3 XL (MODÈLE VK3X)**, acheté auprès d'un agent autorisé et dans son emballage d'origine intact, est exempt de défauts matériels et de main d'œuvre. Tunturi New Fitness BV ou son agent réparera ou remplacera, à sa discrétion, les pièces défectueuses pendant la période de garantie, sous réserve des inclusions et exclusions spécifiques ci-dessous.

Châssis principal – Garantie limitée de 10 ans

Tunturi New Fitness BV réparera ou remplacera le châssis principal métallique du rameur s'il tombe en panne en raison d'un défaut matériel ou de main d'œuvre dans les 10 ans suivant l'achat initial. La garantie ne s'applique pas au revêtement du châssis.

Réservoir en polycarbonate et joints – Garantie limitée de 5 ans

Tunturi New Fitness BV réparera ou remplacera le réservoir en polycarbonate ou les joints s'ils sont défectueux en raison d'un défaut matériel ou de main d'œuvre dans les 5 ans suivant l'achat initial.

Composants mécaniques (sans usure par nature) – Garantie limitée de 2 ans

Tunturi New Fitness BV réparera ou remplacera tout composant mécanique s'il tombe en panne en raison d'un défaut matériel ou de main d'œuvre dans les 2 ans suivant l'achat initial.

Inclusions spécifiques

- Châssis du siège
- Rails du siège
- Ensemble arbre et roue

Tous les autres composants (avec usure naturelle) – Garantie limitée de 2 ans

Tunturi New Fitness BV réparera ou remplacera tout composant s'il tombe en panne en raison d'un défaut matériel ou de main d'œuvre dans les deux années qui suivent l'achat initial.

Inclusions spécifiques

- Cordon de recul élastique
- Poignées et sangles de pied
- Courroie d'aviron en polyester
- Siège et patins de siège
- Toutes les poulies, tous les rouleaux et roulements
- Tous les composants en caoutchouc
- Moniteur et capteur de vitesse (à l'exclusion des piles remplaçables)
- Repose-pieds (pivotant et coulissant)

Exclusions générales

- Dommages à la finition de toute partie de la machine
- Dommages dus à la négligence, à l'abus, au montage ou à l'utilisation incorrects de la machine
- Tous les frais de fret ou de dédouanement associés au retour ou à l'expédition de pièces
- Tout dommage ou perte de marchandises pendant le transport de quelque nature que ce soit
- Tout coût de main-d'œuvre associé à une réclamation au titre de la garantie

Conditions générales

- Le numéro de série de la machine doit être correctement enregistré auprès de Tunturi New Fitness BV ou de l'un de ses distributeurs désignés.
- Tunturi New Fitness BV se réserve le droit d'examiner toute pièce dont le remplacement est réclamé sous garantie
- La période de garantie s'applique uniquement à l'acheteur d'origine à compter de la date d'achat et n'est pas transférable
- Le produit doit être retourné à votre lieu d'achat dans son emballage d'origine avec le transport, l'assurance et les frais associés payés par vous, et le risque de perte ou de dommage assumé par vous
- Tunturi New Fitness BV n'offre aucune autre garantie que celle indiquée ici et décline expressément toute garantie non mentionnée dans cette garantie. Ni Tunturi New Fitness BV Limited ni ses associés ne peuvent être tenus responsables des dommages accessoires ou indirects.
- La garantie du fabricant commence automatiquement à la vente du produit à l'utilisateur final ou à l'expiration d'un (1) an à compter du mois de fabrication, à la première échéance des deux.



WWW.FLUID-EU.COM

CONTACT US

For customer support please visit
fluid-eu.com

TAIWAN

T: +886 3 478 3306
764 Chung Shan South Rd
Yangmei Taoyuan
Taiwan R.O.C.

