



GR7



GR7s

**OWNER'S MANUAL
BEDIENUNGSANLEITUNG
GEBRUIKERSHANDLEIDING
MANUEL D'UTILISATION**

3	ENGLISH
35	DEUTSCH
67	NEDERLANDS
99	FRANÇAIS

INDOOR CYCLE OPERATION



ENGLISH

IMPORTANT SAFETY INSTRUCTIONS SAVE THESE INSTRUCTIONS

READ ALL INSTRUCTIONS BEFORE USING THIS EXERCISE EQUIPMENT.

- Keep children off your Bike at all times.
- When the Bike is in use, young children and pets should be kept at least 10 feet away.
- Use this Bike only for its intended use as described in the manual.
- Keep your hands away from all moving parts. Never turn the pedal crank arms by hand.
- Do not remove your feet from the pedals while they are in motion.
- After exercising, push down on the tension knob or turn the tension knob in a clockwise direction to slow the flywheel down and decrease the potential for injury.
- Do not dismount the Bike until both the pedals and flywheel have come to a complete stop.
- Do not attempt to use this Bike at high speeds or in standing positions until you have practiced and are comfortable at lower speeds.
- Rotate the tension knob clock wise to add resistance to the flywheel prior to standing on the pedals.
- Never drop or insert any object into any opening on this Bike.
- Do not use without proper footwear.
- Rotate the tension knob clock wise to lock the flywheel when not in use.

To assure that the safety level of this Bike is maintained, examine components for wear and tear on a regular basis. Components that are worn excessively or inoperable should be replaced immediately or the Bike should be put out of use until it is repaired.

CAUTION!

If you experience chest pains, nausea, dizziness or shortness of breath, stop exercising immediately and consult your physician before continuing.



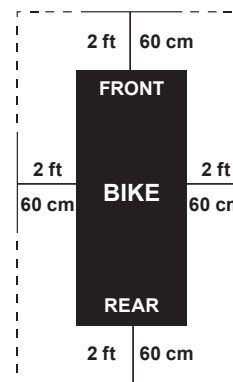
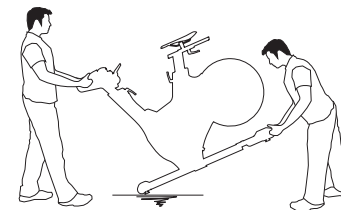
This application is only for indoor use at home, not recommend to use in commercial environment.

HOW TO MOVE THE INDOOR CYCLE

Due to the weight of the Indoor Cycle, it is recommended that two persons move it. While one person lifts the back of the indoor cycle, the second person firmly holds the handlebar and tips the indoor cycle forward until it rolls on the wheels. Carefully move the Indoor Cycle to the desired location and then lower it.

If the Indoor Cycle rocks on the floor after being set down, turn the leveling feet underneath the front or rear stabilizer until the rocking motion is eliminated.

Firmly grasp the handlebars, carefully tip toward you, and roll on the transport wheels.



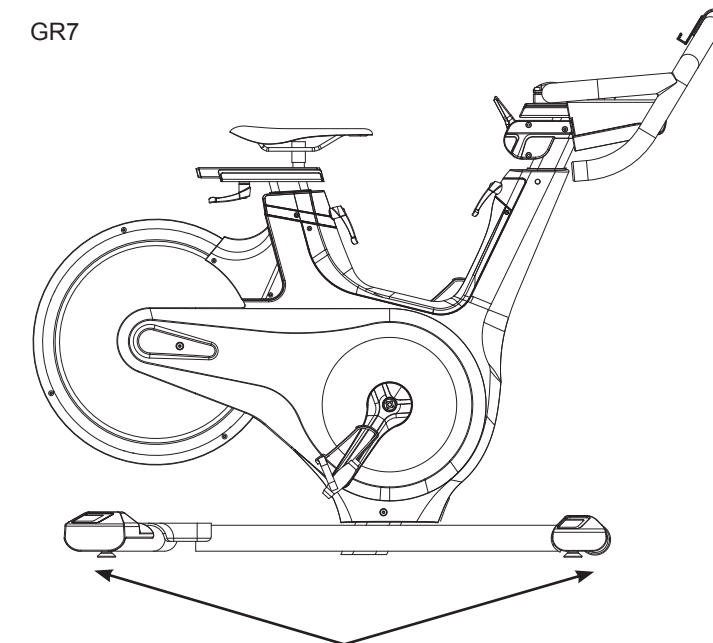
LOCATION OF THE INDOOR CYCLE

Place the Indoor Cycle on a level surface. There should be 2 feet (60 cm) of each side surround the Indoor Cycle. Do not place the cycle in any area that will block any vent or air openings. The Indoor Cycle should not be located in a garage, covered patio, near water or outdoors.

WARNING

To reduce the risk of injury, use extreme caution while moving the indoor cycle. Do not attempt to move it over uneven surfaces and make sure there's a safety space of 20 inch (minimum) to the nearest equipment is recommended.

GR7



Leveling Feet



GR7
GR7s



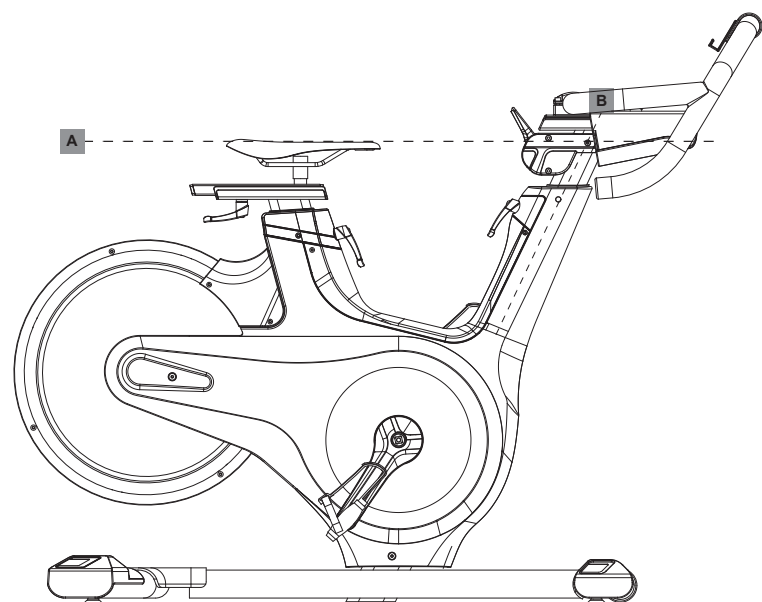
GR7
GR7s

HOW TO ADJUST THE INDOOR CYCLE



The Indoor Cycle can be adjusted for maximum comfort and exercise effectiveness. The instructions below describe one approach to adjusting the Indoor Cycle to ensure optimal user comfort and ideal body positioning; you may choose to adjust the Indoor Cycle differently.

GR7
GR7s



SADDLE ADJUSTMENT

Proper saddle height helps ensure maximum exercise efficiency and comfort, while reducing the risk of injury. Adjust the saddle height to make sure it's in proper position, one that keeps a slightly bend in your knee while your legs are in the extended position.

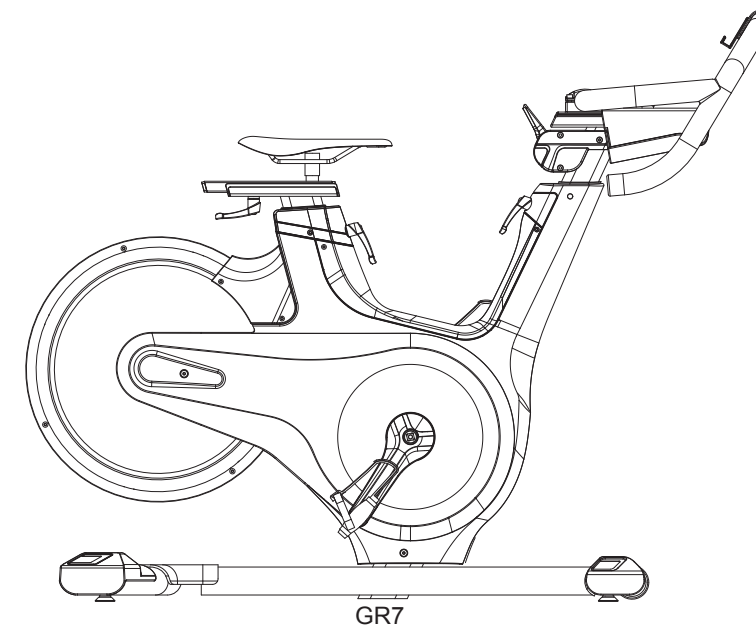
HANDLEBAR ADJUSTMENT

Proper position for the handlebar is based primarily on comfort. Typically, the handlebar should be positioned slightly higher than the saddle for beginning cyclists. Advanced cyclists could try different heights to get the arrangement most suitable for you.

6



GR7
GR7s



TO ADJUST THE SADDLE HEIGHT:

Rotate the adjustment lever counterclockwise and adjust the saddle to a comfortable pedaling position. Rotate the lever clockwise to lock saddle position.

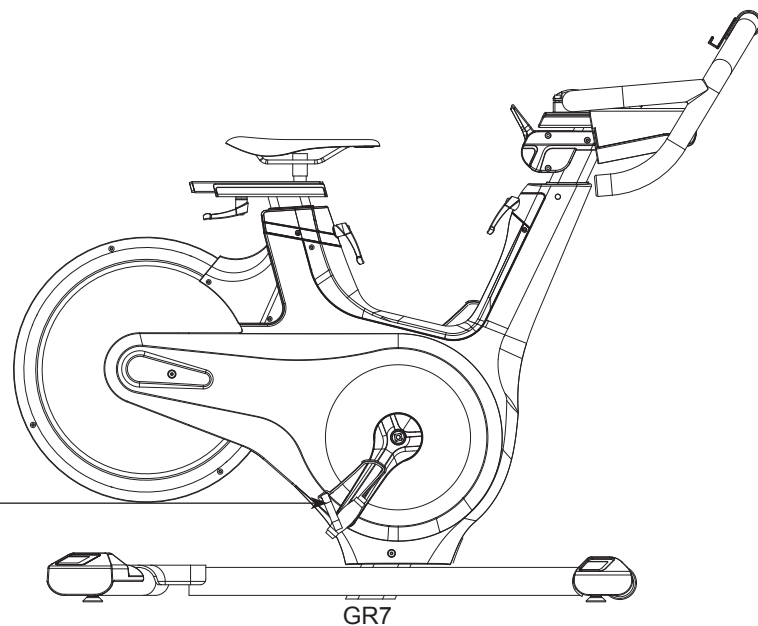
TO ADJUST THE SADDLE HORIZONTAL POSITION:

Rotate the adjustment lever counterclockwise to slide the saddle forward or backward as desired. Rotate the lever clockwise to lock saddle position. Test the saddle slide for proper operation.

7



GR7
GR7s



The pedal straps should be adjusted to hold the foot snugly in the pedal .

GR7

TO ADJUST THE HANDLEBAR HEIGHT:

Rotate the adjustment lever counterclockwise to adjust the handlebar height. Raise or lower the handlebar to the desired height. Rotate the lever clockwise to lock handlebar position.

TO ADJUST THE PEDAL STRAPS:

Place each foot ankle on the pedal and in the toe clip that the foot ankle is centered over the pedal spindle (center of the pedal). Rotate one foot to arms reach and pull up on the toe clip strap. Repeat for the other foot. Keep your knees over your feet as you pedal. To remove your foot from the toe clip, loosen the strap and pull out.

8

RESISTANCE CONTROL AND EMERGENCY BRAKE

The preferred level of difficulty in pedaling (resistance) can be regulated in fine increments by use of the resistance control lever. To increase the resistance, push down the resistance control lever. To decrease the resistance, pull up the lever.

IMPORTANT:

- To stop the flywheel while pedaling, push down to extremely on the resistance control lever.
- The flywheel should quickly come to a complete stop.
- Make sure your shoes are fixed into the toe clip.
- Apply full resistance load when the bike is not in use to prevent injuries due to moving drive gear components.

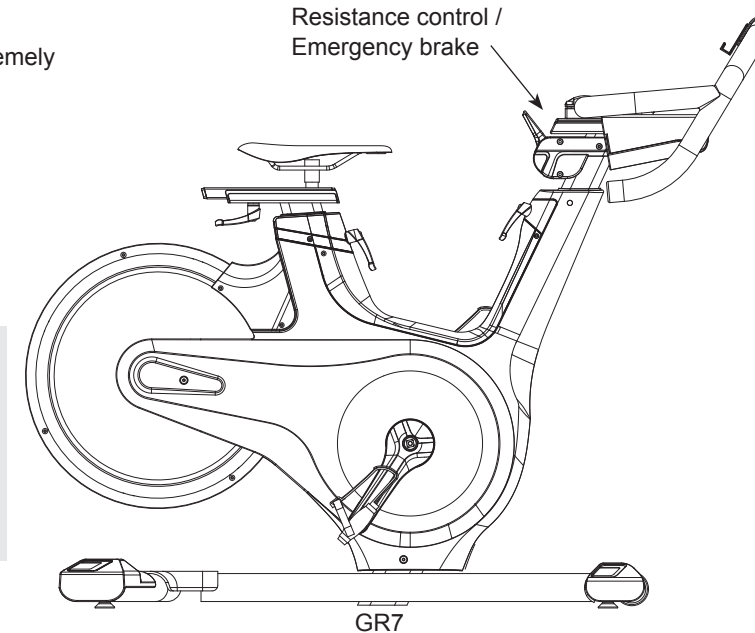
⚠ WARNING

The Indoor Cycle does not have a free moving flywheel; the pedals will continue to move together with the flywheel until the flywheel stops. Reducing speed in a controlled manner is required. To stop the flywheel immediately, push down to extremely on the resistance control lever. Always pedal in a controlled manner and adjust your desired cadence according to your own abilities. Push down extremely the resistance control lever down = emergency stop.

⚠ WARNING

The Indoor Cycle uses a fixed flywheel that builds momentum and will keep the pedals turning even after the user stops pedaling or if the user's feet slip off. **DO NOT ATTEMPT TO REMOVE YOUR FEET FROM THE PEDALS OR DISMOUNT THE MACHINE UNTIL BOTH THE PEDALS AND THE FLYWHEEL HAVE COMPLETELY STOPPED.** Failure to follow these instructions may lead to loss of control and the potential for serious injury.

Resistance control /
Emergency brake



GR7



GR7
GR7s

9



ASSEMBLY

⚠ WARNING

There are several areas during the assembly process that special attention must be paid. It is very important to follow the assembly instructions correctly and to make sure all parts are firmly tightened. If the assembly instructions are not followed correctly, the indoor cycle could have parts that are not tightened and will seem loose and may cause irritating noises. To prevent damage to the indoor cycle, the assembly instructions must be reviewed and corrective actions should be taken.

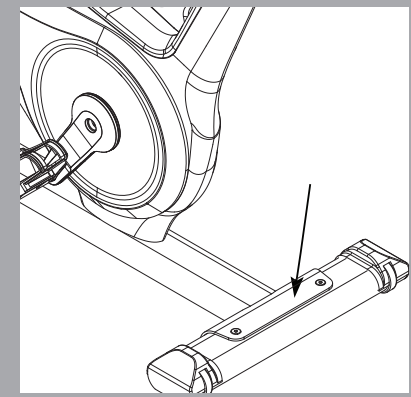
Before proceeding, find your indoor cycle's serial number located on the front base frame of the cycle and enter it in the space provided below.

ENTER YOUR SERIAL NUMBER IN THE BOX BELOW:

SERIAL NUMBER:

--	--	--	--	--	--	--	--	--	--	--	--	--	--	--	--	--	--	--	--	--

MODEL NAME: **HORIZON** **INDOOR CYCLE**



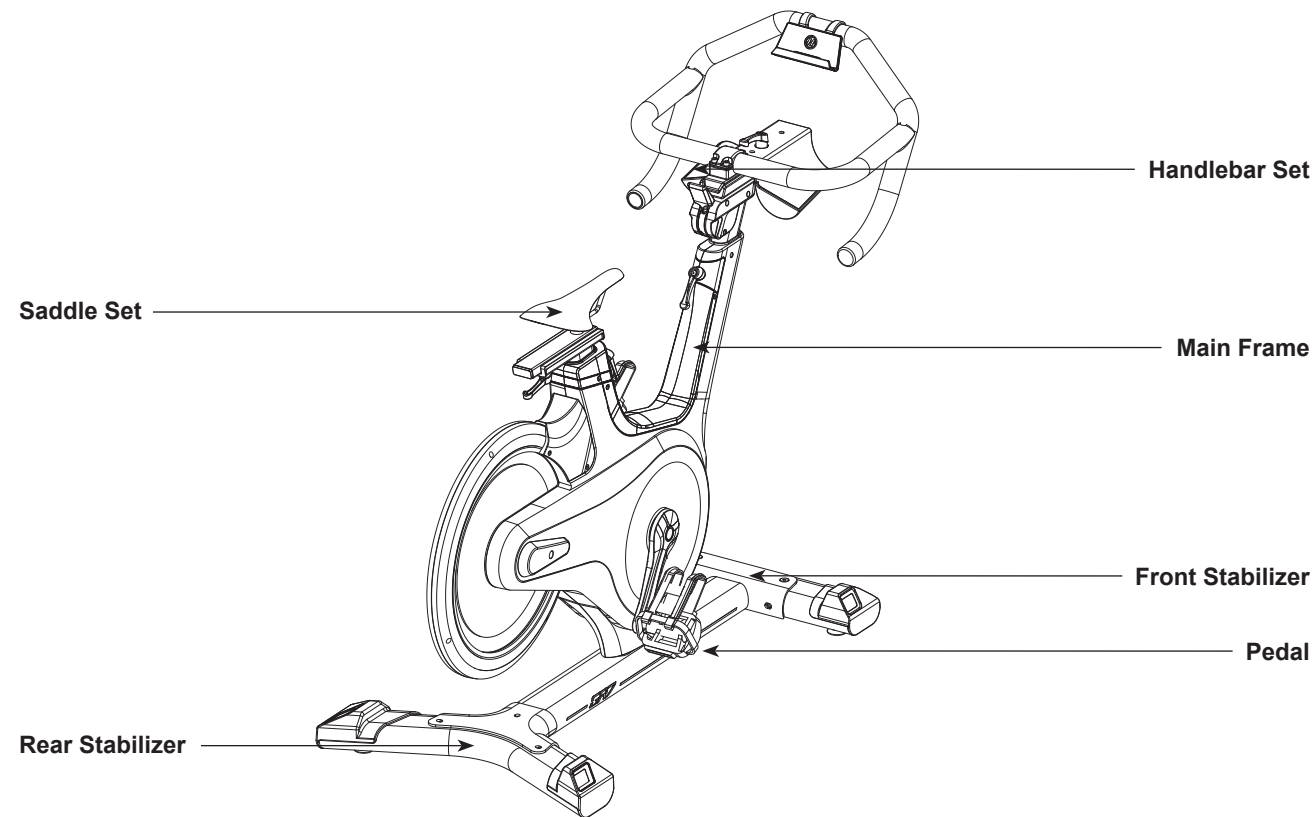
- » Refer to the SERIAL NUMBER and MODEL NAME when calling for service.
- » Be sure to enter both the SERIAL NUMBER and MODEL NAME on your warranty card.

ENGLISH

MODEL INFORMATION



GR7
SHOWN



12

MAIN PARTS INCLUDED:

- Main Frame
- Front & rear stabilizer
- Handlebar Set
- Saddle Set
- Pedals

PRE ASSEMBLY

UNPACKING

Due to the weight of the indoor cycle, **it is recommended that two persons perform the assembly**. Set the indoor cycle in a cleared area and remove all packing materials; do not dispose of the packing materials until assembly is completed.

NOTE: During each assembly step, ensure that ALL nuts and bolts are in place and partially threaded in before completely tightening any ONE bolt.

NOTE: A light application of grease may aid in the installation of hardware. Any grease, such as lithium bike grease is recommended.

NEED HELP?

If you have questions or if there are any missing parts, contact your local dealer. Contact information may be located on the back panel of this manual or on warranty card.



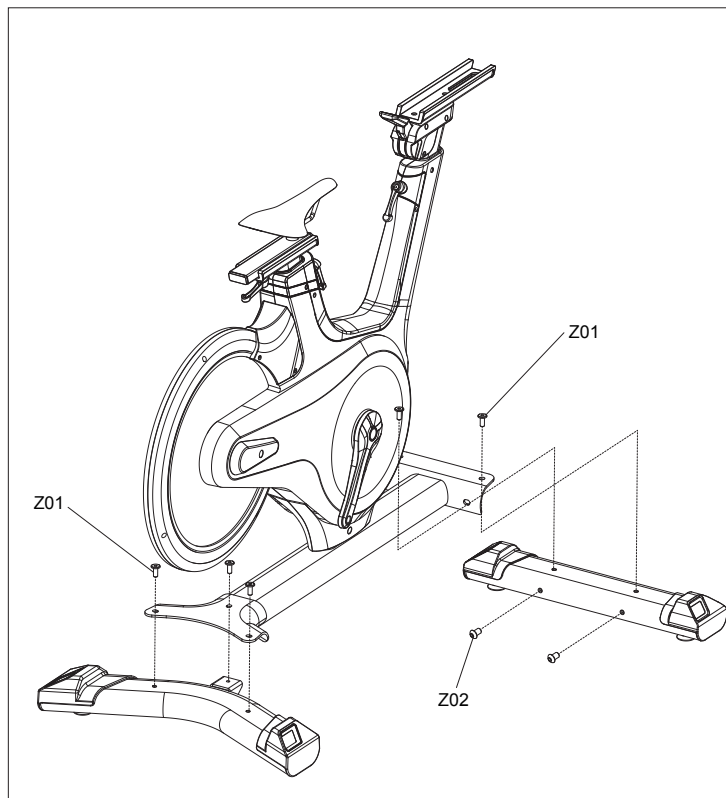
GR7
GR7s

13

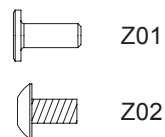
ASSEMBLY STEP 1



GR7
GR7s



- A Attach **FRONT STABILIZER** to the **MAIN FRAME** using **BOLTS (2 x Z01 and 2 x Z02)** and fasten by **ALLEN WRENCH**.
- B Attach **REAR STABILIZER** to the **MAIN FRAME** using **BOLTS (3 x Z01)** and fasten by **ALLEN WRENCH**.



Z01

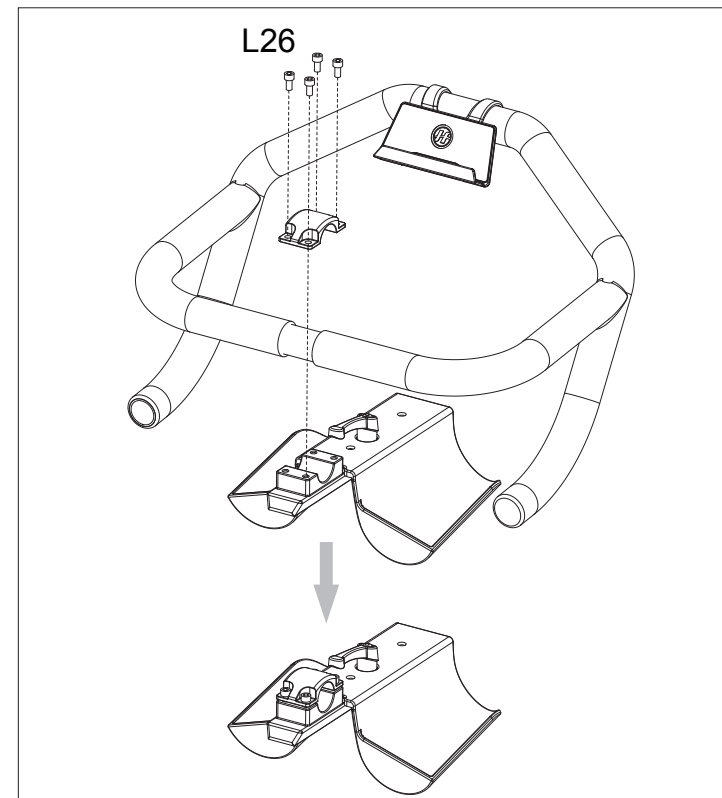
Z02

14

ASSEMBLY STEP 2-1 (for GR7)



GR7
SHOWN



- A. Release the 4 x **BOLTS (L26)** from the **BOTTLE HOLDER**.
- B Attach **HANDLEBAR** to the **BOTTLE HOLDER** using **FASTEN PLATE (G03)** and 4 x **BOLTS (L26)** then fasten by **ALLEN WRENCH**.



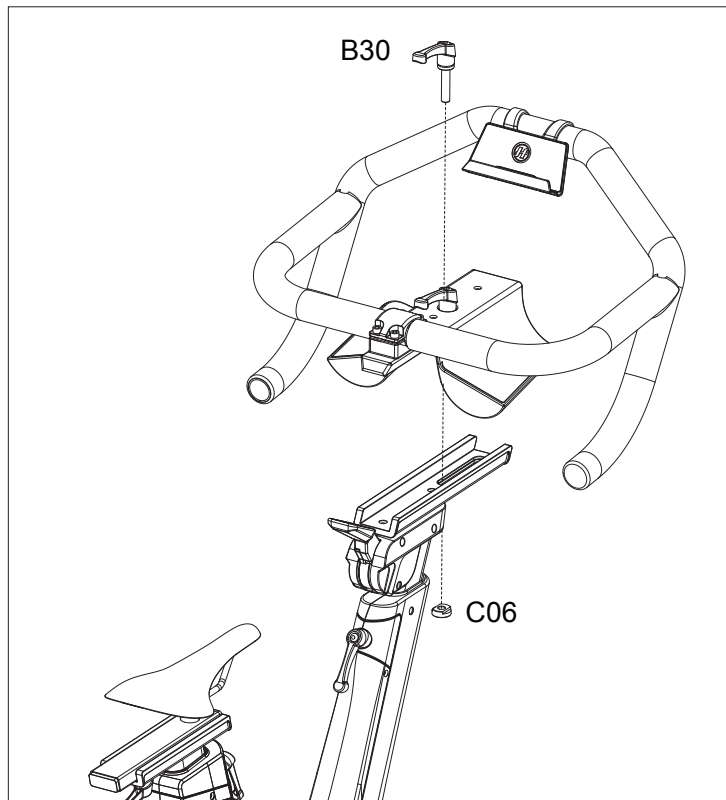
L26

15

ASSEMBLY STEP 2-2 (for GR7)



GR7
SHOWN



- A Release **KNOB (B30)** and **FIXING BASE (C06)**.
- B Attach **HANDLEBAR** to the **CONSOLE MAST** using **KNOB (B30)** and **FIXING BASE (C06)**.



B30

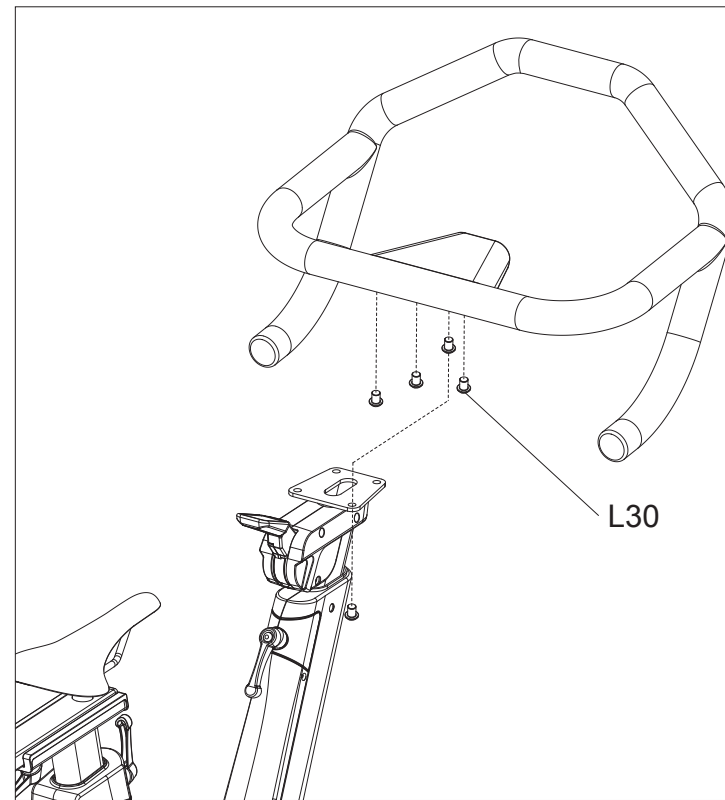


C06

ASSEMBLY STEP 2 (for GR7s)



GR7s
SHOWN



- A. Release **4 x BOLTS (L30)** from the bottom of **HANDLEBAR**.
- B Attach **HANDLEBAR** to the **CONSOLE MAST** using **4 x BOLTS (L30)** and fasten by **ALLEN WRENCH**.

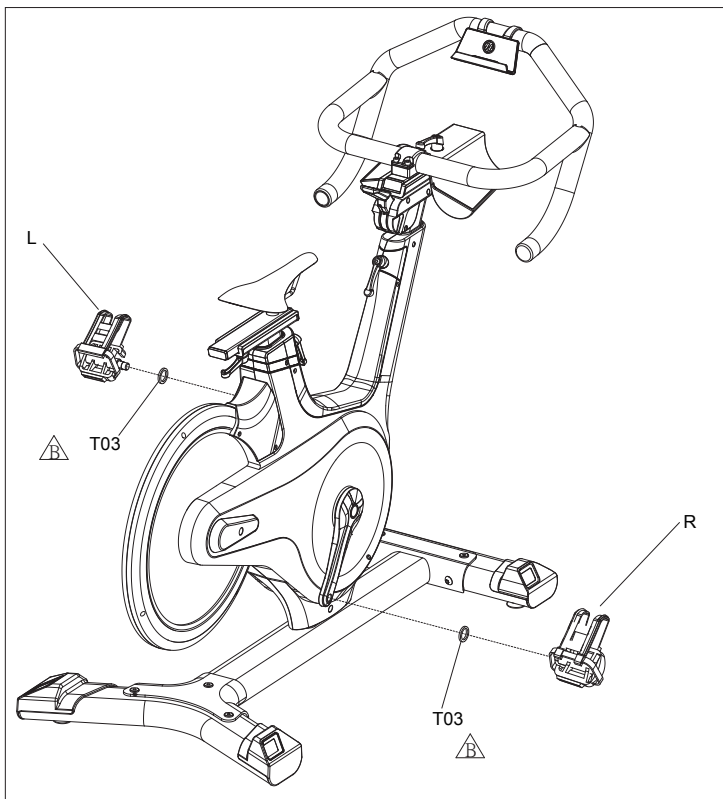


L30

ASSEMBLY STEP 3 (GR7)



GR7
SHOWN



- A Release **PEDAL (R)** onto the **CRANK** in the right hand side, between **CRANK** and **PEDAL (R)**. A **WASHER (T03)** is necessary. Then tighten the **PEDAL (R)** by **WRENCH**.
- B Repeat the assembly process on the left hand side.



T03

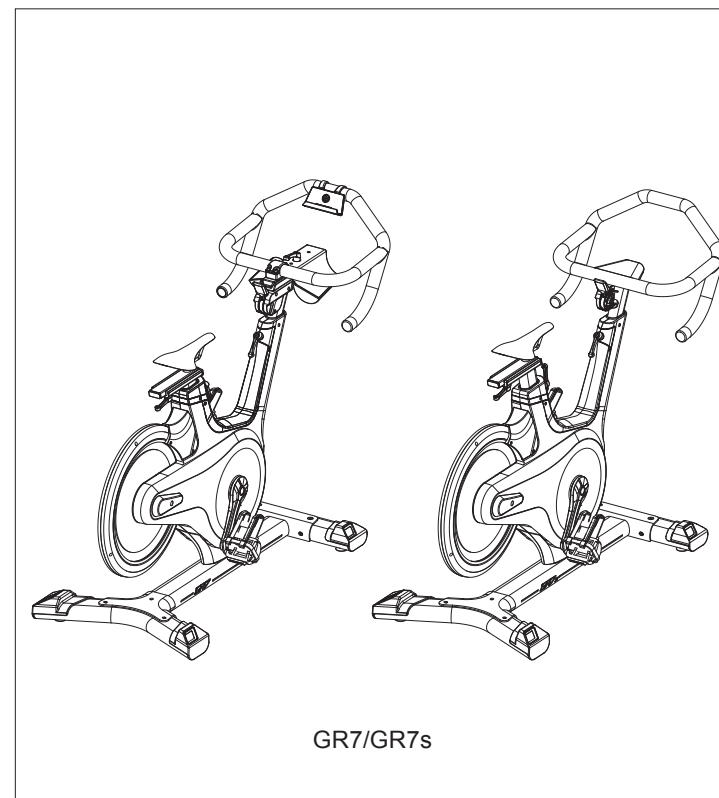
18

ASSEMBLY STEP 4



GR7
GR7s

ASSEMBLY COMPLETE!



GR7/GR7s

GR7

Dimension: 134 x 56.2 x 105.8 cm / 53" x 22" x 42"

Product Weight: 51 kg / 112 lbs.

Max. User Weight: 136 kg / 300 lbs.

GR7s

Dimension: 130.5 x 56.2 x 105.8 cm / 51" x 22" x 38"

Product Weight: 49 kg / 108 lbs.

Max. User Weight: 136 kg / 300 lbs.

19

TROUBLESHOOTING & MAINTENANCE



ENGLISH

COMMON PRODUCT QUESTIONS



ARE THE SOUNDS MY Indoor Cycle MAKES NORMAL?

Our Indoor Cycles are some of the quietest available because they use belt drives and cantilever brake resistance. We use the highest grade bearings and chains/belts to minimize noise. However, because the resistance system itself is so quiet, you will occasionally hear other slight mechanical noises. Unlike older, louder technologies, there are no fans, friction belts, or alternator noises to mask these sounds on our Indoor Cycles. These mechanical noises, which may or may not be intermittent, are normal and are caused by the transfer of significant amounts of energy to a rapidly spinning flywheel. All bearings, chains/belts and other rotating parts will generate some noise which will transmit through the casing and frame. It is also normal for these sounds to change slightly during a workout and over time because of thermal expansion of the parts.

WHY IS THE Indoor Cycle I HAD DELIVERED LOUDER THAN THE ONE AT THE STORE ?

All fitness products seem quieter in a large store showroom because there is generally more background noise than in your home. Also, there will be less reverberation on a carpeted concrete floor than on a wood overlay floor. Sometimes a heavy rubber mat will help reduce reverberation through the floor. If a fitness product is placed close to a wall, there will be more reflected noise.

HOW LONG WILL THE BELT LAST?

The computer modeling we have done indicated virtually thousands of maintenance free hours. You should not have to replace the belt as long as you have the Indoor Cycle.

CAN I MOVE THE Indoor Cycle EASILY ONCE IT IS ASSEMBLED?

Your Indoor Cycle has a pair of transport wheels built into the front stabilizer tube. Please follow the moving the Indoor Cycle section to transport your Indoor Cycle. It is important that you place your Indoor Cycle in a comfortable and inviting room. Your Indoor Cycle is designed to use minimal floor space. Many people will place their Indoor Cycles facing the TV or a picture window. If at all possible, avoid putting your Indoor Cycle in an unfinished basement. To make exercise a desirable daily activity for you, the Indoor Cycle should be in a comfortable setting.

TROUBLES HOOTING



PROBLEM: The Indoor Cycle makes a squeaking or chirping noise.

SOLUTION: Verify the following:

- The Indoor Cycle is on a level surface.
- Loosen all bolts attached during the assembly process, grease the threads, and tighten again.

If this does not remedy the problem, you may
CONTACT CUSTOMER TECH SUPPORT AT THE NUMBER ON THE INFORMATION CARD.

The following information may be asked of you when you call. Please have these items readily available:

- Model Name
- Serial Number
- Proof of Purchase (receipt or credit card statement)

You may find more troubleshooting suggestions on the customer support section of our website. Contact customer support using the contact information on the INFORMATION CARD.

In order for Customer Tech Support to service your Indoor Cycle they may need to ask detailed questions about the symptoms that are occurring. Some troubleshooting questions that may be asked are:

- How long has this problem been occurring?
- Does this problem occur with every use? With every user?
- If you are hearing a noise, does it come from the front or the back? What kind of noise is it (thumping, grinding, squeaking, chirping etc.)?
- Has the machine been lubricated and maintained per the maintenance schedule?

Answering these and other questions will give the technicians the ability to send proper replacement parts and the service necessary to get you and your Indoor Cycle running again!

MAINTENANCE

The safety level given by the design of the Indoor Cycle can only be maintained when the equipment is regularly examined for damage and wear. Inoperable components should be replaced or the equipment should be put out of use until it is repaired.

DAILY

- Wipe down the Indoor Cycle after each use to remove sweat and moisture. Use soap and water, or a diluted non-abrasive domestic cleaner solution. Rinse to remove detergent residue and then dry off.
- Before each session, inspect for loose components such as pedals or cranks prior to commencing the next use. Tighten up any loose parts.

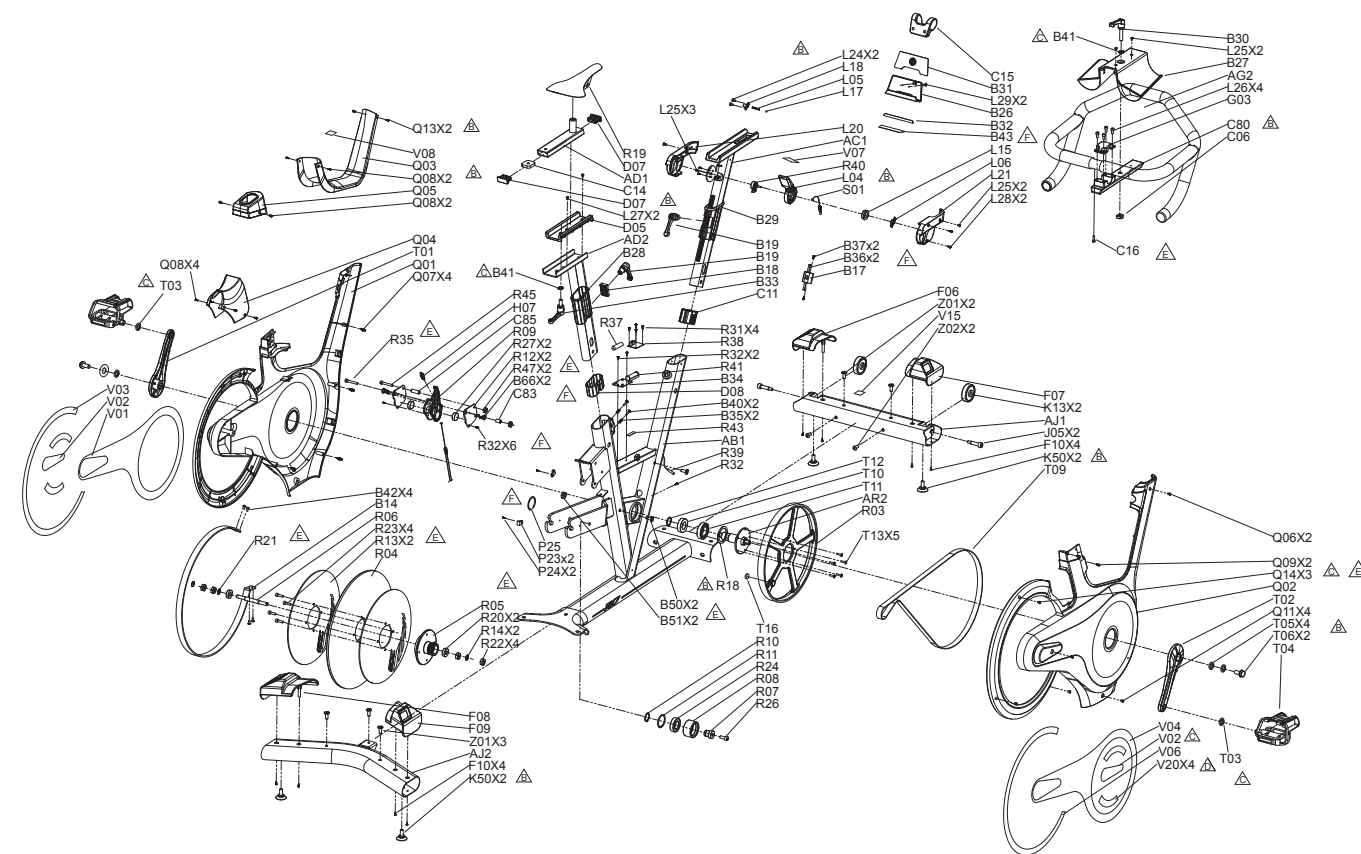
WEEKLY

- Check for proper flywheel alignment. Torque flywheel nuts as necessary.
- Remove chain guard and check for loose chain. Adjust and lubricate the chain as necessary.
- Check to make sure the crank arms are tight to the bottom bracket.
- Inspect all parts, nuts, bolts, or screws for adjustments, replacements or maintenance.

MONTHLY

- Inspect the frame and main assembly components for rust or corrosion. Tilt the cycle or place in an upside down position to locate areas where rust and corrosion may develop. Use a small, wire brush to remove rust build-up in small crevasses, such as leveling feet, quick release levers and other bolt assemblies.
- Inspect all wear items for adjustments or possible part replacement. Give particular attention to the following:
 - A) Inspect brake pad for wear. Excessive wear or dryness indicates replacement is required.
 - B) Inspect seat pad for wear. Rips, tears or excessive movement indicates replacement is required.
 - C) Inspect pedals for play. Excessive movement of pedals indicates replacement is required.
- Inspect the chain for tensioning by rotating the crank to drive the flywheel forward. Do this motion in 1/4 turns to assess if there is free play between the crank and the flywheel.
- Dryness or prolonged use may cause the height and reach adjustments for the seat and handlebar to become tight. If this is the case, the sliding assembly should be removed from the frame and have a smear of light duty grease applied along the sliding surface before assembly. Similarly, apply some light grease to the clamping assembly to ensure it does not seize up. Clean off excessive grease before reassembly.
- Please lubricate the seat post, brake pad and handlebar adjustment regularly with lubricant in your parts package.

GR7 EXPLODED VIEW



GR7 PARTS LIST

NO.	DESCRIPTION	QTY
AB1	FRAME SET	1
B17	FASTEN PLATE;FRAME;LEFT	1
B36	LEAF SPRING;TORSION	2
B37	SCREW	2
B18	PRESSING BLOCK;FRAME;RIGHT	1
B19	KNOB	2
B14	FIXING PLATE	1
B29	CAP;FRAME;FRONT	1
B28	CAP;FRAME;BACK	1
B42	SCREW	4
B35	SPRING	2
B40	SCREW	2
B50	SCREW	2
B51	NUT	2
P23	TIE STRAP ADHESIVE	2
P24	SCREW	2
P25	MOVEABLE BUSHING	0
AC1	CONSOLE MAST SET	1
C06	FIXING BASE;KNOB	1
C80	FIXING BLOCK	1

NO.	DESCRIPTION	QTY
AG2	HANDLEBAR	1
L06	LOCATION HOOK	1
L20	COVER	1
L21	COVER	1
S01	STEEL ROPE	1
L15	SWIVEL AXLE	1
L24	SCREW	2
L25	SCREW	7
L26	SCREW	4
L28	SCREW	2
L29	SCREW	2
B26	MP3 SUPPORT RACK	1
G03	FASTEN PLATE	1
C11	CAP	1
B27	KETTLE RACK	1
L05	SPRING	1
L18	SPRING PIN	1
L17	STEEL BALL	1
B30	KNOB	1
B31	FOAM PAD	1

NO.	DESCRIPTION	QTY
B32	FOAM PAD	1
C15	FIX BUCKLE SET	1
L04	HANDLEBAR	1
L27	SCREW	2
B41	WASHER	2
C16	SCREW	1
B43	FOAM PAD	1
AJ1	STABILIZER SET	1
J05	SCREW	2
AJ2	STABILIZER SET	1
K50	FOOT PAD	4
K13	TRANSPORT WHEELS	2
F06	CAP;RIGHT-FRONT	1
F07	CAP;LEFT-FRONT	1
F08	CAP;LEFT-REAR	1
F09	CAP;RIGHT-REAR	1
F10	SCREW	8
AD1	SEAT SLEEVE SET	1
AD2	SEAT PAD ADJUSTABLE SET	1
D05	GUIDE BLOCK	1

NO.	DESCRIPTION	QTY
R19	SEAT PAD	1
D08	CAP;DOWN	1
C14	SNUG PLATE	1
B33	KNOB	1
D07	CAP;UP	2
R18	SHIM	1
R03	DISK	1
T16	MAGNET	1
T09	BELT;POLY-V	1
T04	PEDAL SET;L/R	1
T10	BEARING	1
T11	BEARING	1
T12	SNAP RING	1
T01	CRANK;L	1
T02	CRANK;R	1
R13	FIX PLATE	2
R04	DISK	1
R05	FIXING DISK	1
R06	MAIN AXLE	1
R20	BEARING	2





GR7 PARTS LIST

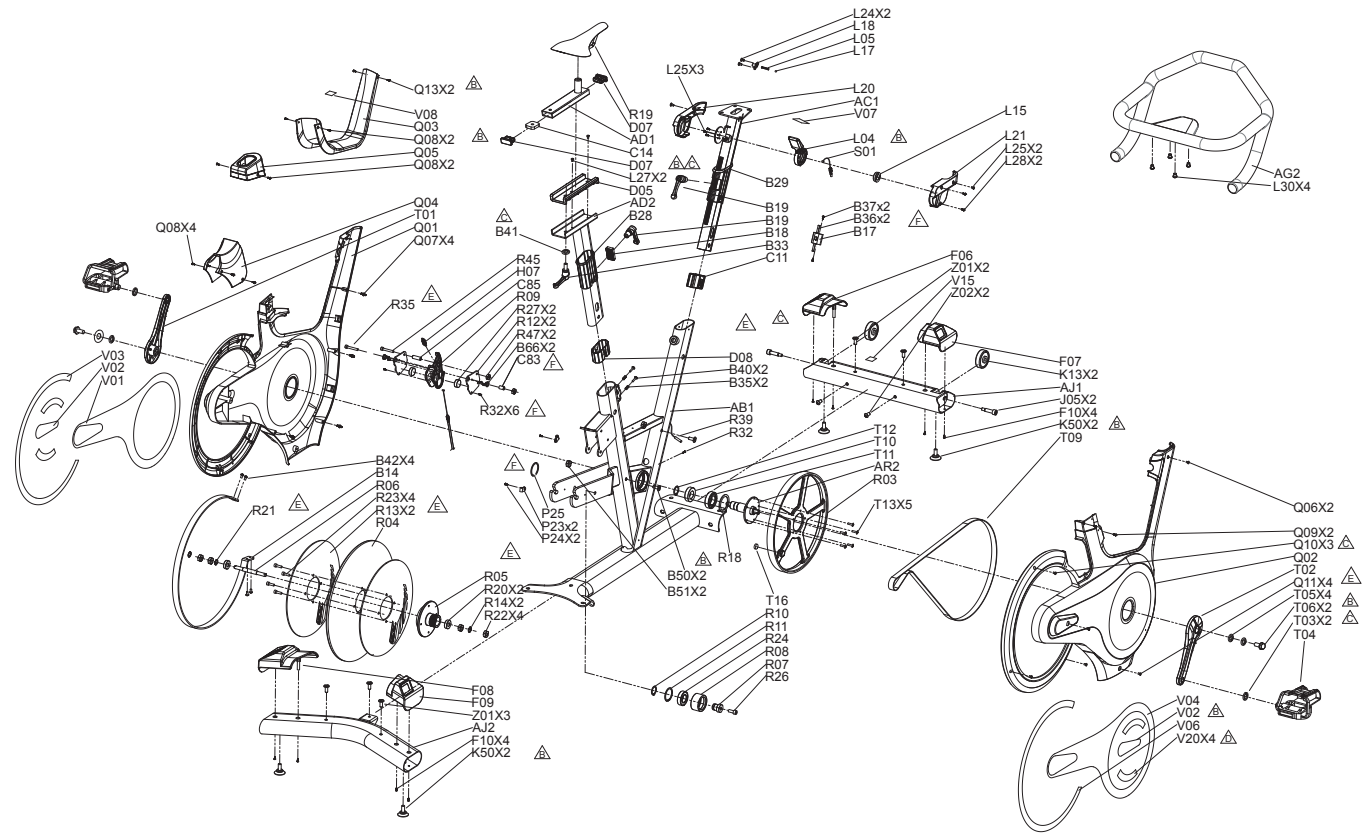
NO.	DESCRIPTION	QTY
R21	WASHER	1
R22	NUT	4
R23	SCREW	4
R14	WASHER	2
R07	AXLE	1
R08	IDLER	1
R24	BEARING	1
R26	SCREW	1
R10	SNAP RING;C-SHAPED	1
R11	SNAP RING;C-SHAPED	1
T06	SCREW SET	2
T05	WASHER	4
AR2	PEDAL MAIN AXLE	1
T13	SCREW	5
R09	PLASTIC RACK	1
R12	FIXING PLATE	1
R27	POWERFUL MAGNET	2
B66	PLASTIC LINER	2
R45	SCREW	1
R47	NUT	2

NO.	DESCRIPTION	QTY
H07	SPRING	1
R37	BATTERY	1
R38	LCB	1
R39	SPEED SENSOR WIRE	1
R41	BATTERY BASE	1
R40	MODULE;VR VARIABLE RESISTANCE GROUP	1
B34	FIXING BASE	1
R43	TAPE;FOAM;TWO-SIDED;	1
R31	SCREW	4
R33	SCREW	4
R32	SCREW	3
C83	POSITION AXLE	1
R35	SCREW	1
C85	POSITION AXLE	1
Q01	SIDE COVER;LEFT	1
Q02	SIDE COVER;RIGHT	1
Q03	COVER;FRONT	1
Q04	COVER;BACK	1
Q05	COVER;UP	1
Q07	FIXING PILLAR	4

NO.	DESCRIPTION	QTY
Q08	SCREW	8
Q09	SCREW	2
Q06	SCREW	2
Q11	SCREW	4
Q13	SCREW	2
V01	DECAL;SIDE COVER;LEFT-UP	1
V02	DECAL;SIDE COVER;LEFT-DOWN	2
V03	DECAL;SIDE COVER;LEFT-REAR	1
V04	DECAL;SIDE COVER;RIGHT-UP	1
V06	DECAL;SIDE COVER;RIGHT-REAR	1
V07	DECAL;HANDLEBAR;UP	1
V08	WARNING LABEL;UP	1
V15	EN LABEL	1
V20	DECAL;SIDE COVER;MIDDLE	4
Z01	SCREW	5
Z03	WRENCH	1
Z02	SCREW	2
Z04	WRENCH	1
T03	SHIM	2



GR7S EXPLODED VIEW



GR7S PARTS LIST

NO.	DESCRIPTION	QTY
AB1	FRAME SET	1
B17	FASTEN PLATE	1
B36	LEAF SPRING	2
B37	SCREW	2
B18	PRESSING BLOCK	1
B19	KNOB	2
B29	CAP;FRONT;	1
B28	CAP;BACK;	1
B42	SCREW	4
B35	SPRING	2
B40	SCREW	2
B50	SCREW	2
B51	NUT	2
P23	TIE STRAP ADHESIVE	2
P24	SCREW	2
P25	MOVEABLE BUSHING	0
S01	STEEL ROPE	1
AC1	CONSOLE MAST SET	1
AG2	HANDLEBAR	1
L20	COVER;HANDLEBAR;LEFT	1

NO.	DESCRIPTION	QTY
L21	COVER;HANDLEBAR;RIGHT	1
L15	SWIVEL AXLE	1
L28	SCREW	2
L25	SCREW	5
L05	SPRING	1
L18	SPRING PIN	1
L17	STEEL BAL	1
L30	SCREW	4
L24	SCREW	2
C11	CAP;CONSOLE MAST;DOWN	1
L04	HANDLEBAR	1
L27	SCREW	2
C16	SCREW	1
AJ1	STABILIZER SET	1
J05	SCREW	2
AJ2	STABILIZER SET;REAR	1
K50	FOOT PAD	4
K13	TRANSPORT WHEELS	2
F06	CAP;RIGHT-FRONT	1
F07	CAP;LEFT-FRONT	1

GR7S PARTS LIST

NO.	DESCRIPTION	QTY
F08	CAP;LEFT-REAR	1
F09	CAP;RIGHT-REAR	1
F10	SCREW	8
AD1	SEAT SLEEVE SET	1
AD2	SEAT PAD ADJUSTABLE SET	1
D05	GUIDE BLOCK	1
R19	SEAT PAD	1
D08	CAP;DOWN	1
C14	SNUG PLATE	1
B33	KNOB	1
D07	CAP;SEAT PAD;UP	2
B41	WASHER	1
T16	MAGNET	1
R03	DISK	1
T09	BELT;POLY-V	1
T04	PEDAL SET	1
T10	BEARING	1
T11	BEARING	1
T12	SNAP RING	1
T13	SCREW	5

NO.	DESCRIPTION	QTY
R13	FIX PLATE	2
R04	DISK	1
R05	FIXING DISK	1
R06	MAIN AXLE	1
R20	BEARING	2
R21	WASHER	1
R22	NUT	4
R23	SCREW	4
R14	WASHER	2
R07	AXLE;IDLER	1
R08	IDLER	1
R24	BEARING	1
R26	SCREW	1
R10	SNAP RING	1
R11	SNAP RING	1
T01	CRANK;L	1
T02	CRANK;R	1
T06	SCREW SET	2
T05	WASHER	4
R18	SHIM	1

NO.	DESCRIPTION	QTY
AR2	PEDAL MAIN AXLE-EXTRAWORK	1
B66	PLASTIC LINER	2
H07	SPRING	1
R39	SPEED SENSOR WIRE	1
R31	SCREW	4
R32	SCREW	7
R09	PLASTIC RACK	1
R12	FIXING PLATE	1
C85	POSITION AXLE	1
C83	POSITION AXLE	1
R45	SCREW	1
R35	SCREW	1
R47	NUT	2
R27	POWERFUL MAGNET	2
Q01	SIDE COVER;LEFT	1
Q02	COVER;RIGHT	1
Q03	COVER;FRONT	1
Q04	COVER;BACK	1
Q05	COVER;UP	1
Q08	SCREW	8

NO.	DESCRIPTION	QTY
Q09	SCREW	2
Q07	FIXING PILLAR	4
Q06	SCREW	2
Q11	SCREW	4
Q13	SCREW	2
Q10	SCREW	3
V07	DECAL;HANDLEBAR;UP	1
V01	DECAL;SIDE COVER;LEFT-UP	1
V02	DECAL;SIDE COVER;LEFT-DOWN	2
V03	DECAL;SIDE COVER;LEFT-REAR	1
V04	DECAL;SIDE COVER;RIGHT-UP	1
V06	DECAL;SIDE COVER;RIGHT-REAR	1
V08	WARNING LABEL;UP	1
V15	EN LABEL	1
V20	DECAL;SIDE COVER;MIDDLE	4
Z01	SCREW	5
Z03	WRENCH	1
Z02	SCREW	2
Z04	WRENCH	1
T03	SHIM	2



INDOOR CYCLE NUTZUNG



DEUTSCH

GR7
GR7s

WICHTIGE SICHERHEITSHINWEISE BEWAHREN SIE DIE HINWEISE AUF LESEN SIE ALLE HINWEISE BEVOR SIE DAS TRAININGSGERÄT VERWENDEN.

- Halten Sie Kinder vom Fahrradergometer fern.
- Wenn Sie mit dem Fahrradergometer trainieren, stellen Sie sicher, dass Kleinkinder und Haustiere mindestens 3 Meter Abstand halten.
- Verwenden Sie das Fahrradergometer nur für seinen Verwendungszweck wie in der Bedienungsanleitung beschrieben.
- Halten Sie Ihre Hände von allen beweglichen Teilen fern. Bewegen Sie die Kurbelarme der Pedale niemals mit den Händen.
- Nehmen Sie Ihre Füße nicht von den Pedalen, während diese in Bewegung sind.
- Drücken Sie nach dem Training auf den Spannungsregler oder drehen Sie den Spannungsregler im Uhrzeigersinn, um das Schwungrad zu verlangsamen und mögliche Verletzungsgefahren zu verringern.
- Steigen Sie nicht vom Fahrradergometer ab, bevor beide Pedale und das Schwungrad völlig zum Stillstand gekommen sind.
- Trainieren Sie mit dem Fahrradergometer nicht mit hoher Geschwindigkeit oder in stehender Position, solange Sie nicht vorher mit niedriger Geschwindigkeit trainiert haben und beschwerdefrei sind.
- Drehen Sie den Spannungsregler im Uhrzeigersinn, um dem Schwungrad mehr Widerstand zu geben, bevor Sie sich auf die Pedale stellen.
- Lassen Sie niemals irgendwelche Gegenstände in Öffnungen am Fahrradergometer fallen, und stecken Sie niemals Gegenstände hinein.
- Verwenden Sie das Fahrradergometer nur mit geeigneten Schuhen.
- Drehen Sie den Spannungsregler im Uhrzeigersinn, um das Schwungrad zu sichern, wenn es nicht verwendet wird.

Stellen Sie durch regelmäßiges Untersuchen der Komponenten auf Abnutzung und Verschleiß sicher, dass Ihr Fahrradergometer sicher bleibt. Stark verschlissene oder nicht funktionsfähige Komponenten sofort ersetzen, oder das Fahrradergometer nicht verwenden, bis es repariert ist.

ACHTUNG!

Wenn Brustschmerzen, Übelkeit, Schwindelgefühl oder Atemnot auftreten, stoppen Sie sofort Ihr Training und suchen Sie einen Arzt auf, bevor Sie weiter trainieren.



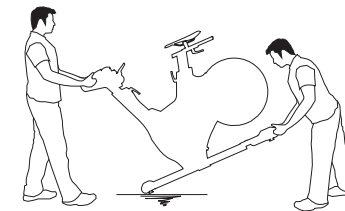
Dieses Gerät ist nur für die Indoor-Verwendung zu Hause geeignet, ein Einsatz in einem kommerziellen Umfeld wird nicht empfohlen.

WIE SIE DAS INDOOR CYCLE BEWEGEN SOLLEN

Aufgrund seines Gewichtes sollte das Indoor Cycle von zwei Personen bewegt werden. Während eine Person die Rückseite des Indoor Cycle hebt, hält die zweite Person den Lenker fest und kippt das Indoor Cycle nach vorne, bis es auf den Rädern rollt. Bewegen Sie das Indoor Cycle vorsichtig an den gewünschten Ort und senken Sie es ab.

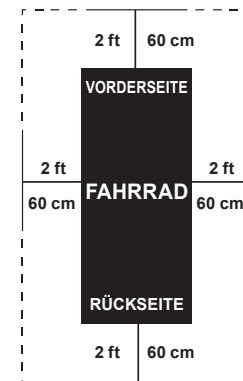
Wenn das Indoor Cycle nach dem Abstellen auf dem Boden kippelt, drehen Sie die Nivellierfüße unter dem vorderen oder dem hinteren Stabilisator, bis die Kippbewegung beseitigt ist.

Halten Sie die Handgriffe fest, kippen Sie das Fahrradergometer vorsichtig in Ihre Richtung, und rollen Sie es auf den Transportrollen.



AUFSTELLORT DES INDOOR CYCLE

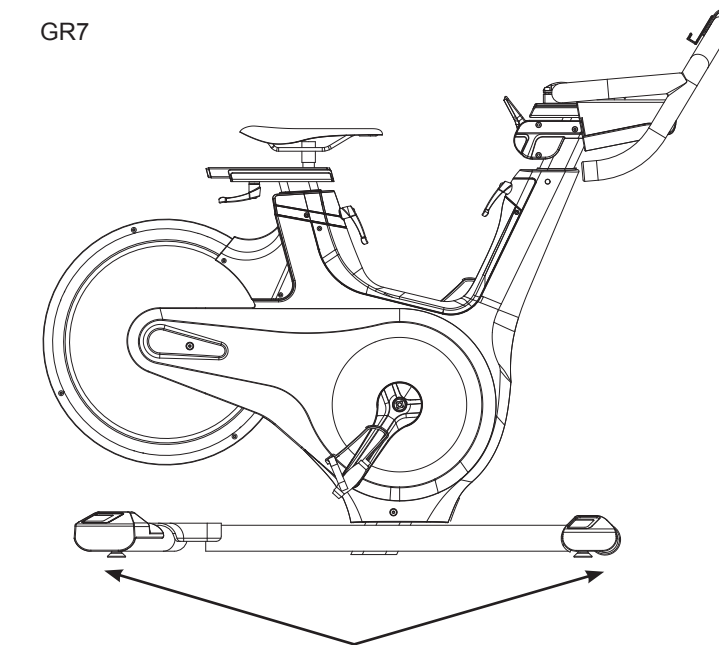
Stellen Sie das Indoor Cycle auf ebenem Untergrund auf. Auf jeder Seite des Indoor Cycle sollten 60 cm Platz sein. Stellen Sie das Fahrrad so auf, dass keine Lüftungsöffnungen blockiert werden. Das Indoor Cycle darf nicht in Garagen, auf überdachten Terrassen, in der Nähe von Gewässern oder im Freien aufgestellt werden.



⚠️ WARNUNG

Um das Verletzungsrisiko zu verringern, sollten Sie beim Bewegen des Indoor Cycle äußerste Vorsicht walten lassen. Versuchen Sie nicht, das Gerät über unebene Oberflächen zu bewegen und stellen Sie sicher, dass der empfohlene Sicherheitsabstand von mindestens 50 cm zum nächsten Gerät eingehalten wird.

GR7



Nivellierfüße

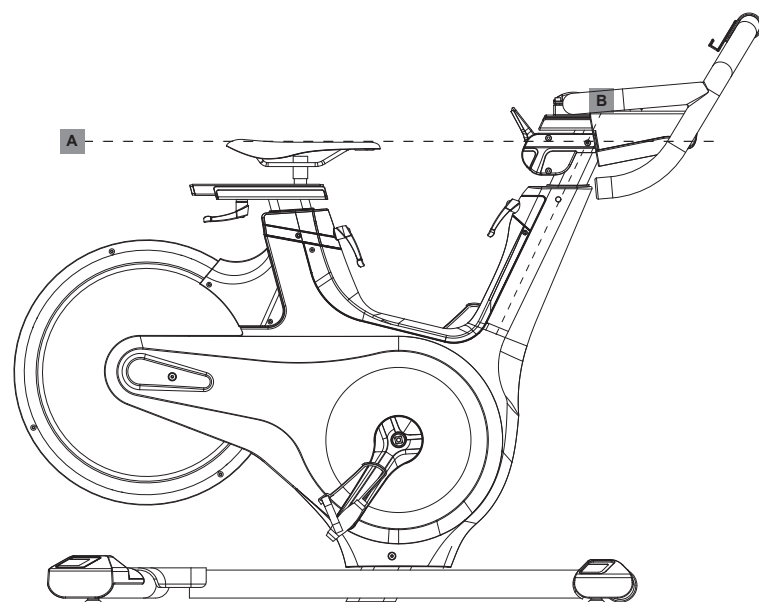
GR7
GR7s

EINSTELLEN DES INDOOR CYCLE

Der Indoor Cycle kann für maximalen Komfort und optimale Bewegungseffektivität eingestellt werden. Die folgenden Anweisungen beschreiben einen Ansatz zum Einstellen des Indoor Cycle, um einen optimalen Benutzerkomfort und eine ideale Körperposition zu gewährleisten. Sie können das Indoor Cycle auch anders einstellen.



GR7
GR7s

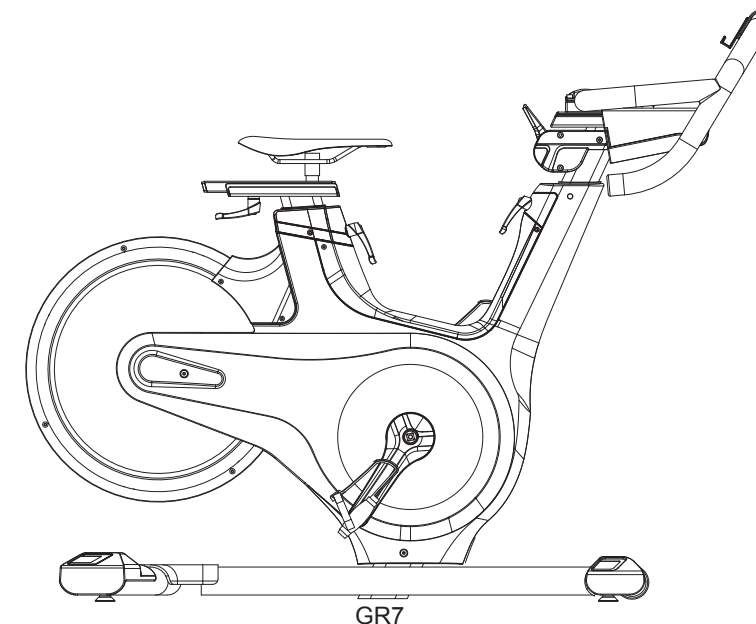


SATTELEINSTELLUNG

Die richtige Sattelhöhe sorgt für maximale Übungseffizienz und optimalen Komfort und reduziert das Verletzungsrisiko. Stellen Sie die Sattelhöhe in der optimalen Position ein. Idealerweise bleibt Ihr Knie leicht gebeugt während Ihre Beine in der ausgestreckten Position sind.

EINSTELLEN DES LENKERS

Die richtige Lenkerposition basiert hauptsächlich auf Komfort. Normalerweise sollte der Lenker für Radfahrer auf Einsteigerniveau etwas höher als der Sattel positioniert werden. Fortgeschrittene Radfahrer können verschiedene Höhen ausprobieren, um die für Sie am besten geeignete Einstellung zu finden.



ZUM EINSTELLEN DER SATTELHÖHE:

Drehen Sie den Einstellhebel gegen den Uhrzeigersinn und stellen Sie den Sattel in einer bequemen Pedalstellung ein. Drehen Sie den Hebel im Uhrzeigersinn, um die Sattelposition zu arretieren.

ZUM EINSTELLEN DER HORIZONTALEN SATTELPOSITION:

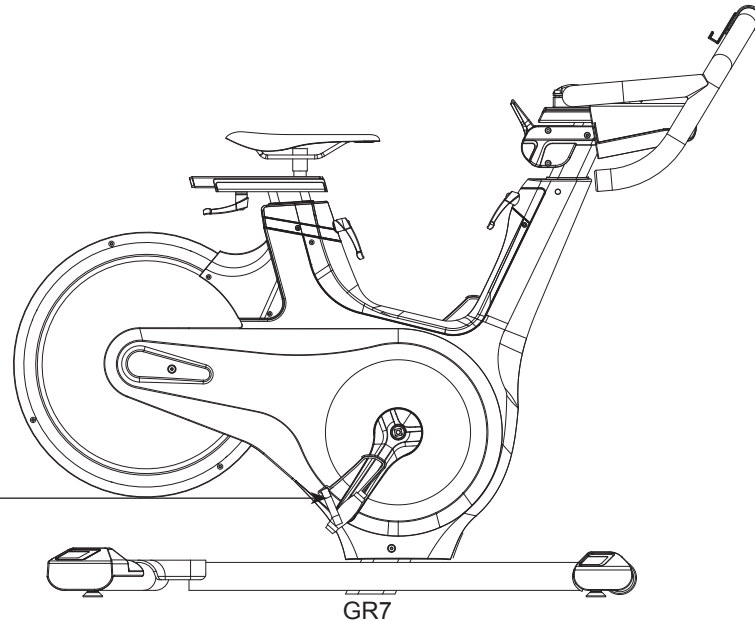
Drehen Sie den Einstellhebel gegen den Uhrzeigersinn, um den Sattel nach Wunsch vor- oder zurückzubewegen. Drehen Sie den Hebel im Uhrzeigersinn, um die Sattelposition zu arretieren. Testen Sie den Sattelschlitten auf ordnungsgemäße Funktion.



GR7
GR7s



GR7
GR7s



Die Pedalriemen sollten so eingestellt werden, dass Sie den Fuß fest im Pedal halten.

ZUM EINSTELLEN DER LENKERHÖHE:

Drehen Sie den Einstellhebel gegen den Uhrzeigersinn, um die Höhe des Lenkers einzustellen. Heben oder senken Sie den Lenker auf die gewünschte Höhe. Drehen Sie den Hebel im Uhrzeigersinn, um die Lenkerposition zu arretieren.

ZUM EINSTELLEN DER PEDALRIEMEN:

Setzen Sie die Füße so auf die Pedale und in die Pedalhaken, dass die Knöchel mittig über der Pedalachse positioniert sind (Pedalmitte). Drehen Sie einen Fuß in Armreichweite und ziehen Sie den Riemen des Pedalhakens nach oben. Wiederholen Sie den Vorgang für den anderen Fuß. Halten Sie Ihre Knie beim Treten der Pedale über Ihren Füßen. Lösen Sie den Riemen und ziehen Sie ihn heraus, um Ihren Fuß vom Pedalhaken zu lösen.

WIDERSTANDSKONTROLLE UND NOTBREMSE

Der bevorzugte Tretwiderstand kann in feinen Schritten mit dem Widerstandshebel reguliert werden. Drücken Sie den Widerstandshebel nach unten, um den Widerstand zu erhöhen. Ziehen Sie den Hebel, um den Widerstand zu verringern.

WICHTIG:

- Um das Schwungrad beim Treten anzuhalten, drücken Sie den Widerstandshebel möglichst weit nach unten.
- Das Schwungrad sollte schnell zum Stillstand kommen.
- Stellen Sie sicher, dass Ihre Schuhe fest in den Pedalhaken sitzen.
- Wenn das Fahrrad nicht genutzt wird, stellen Sie den höchsten Tretwiderstand ein, um Verletzungen durch sich bewegende Antriebskomponenten zu vermeiden.

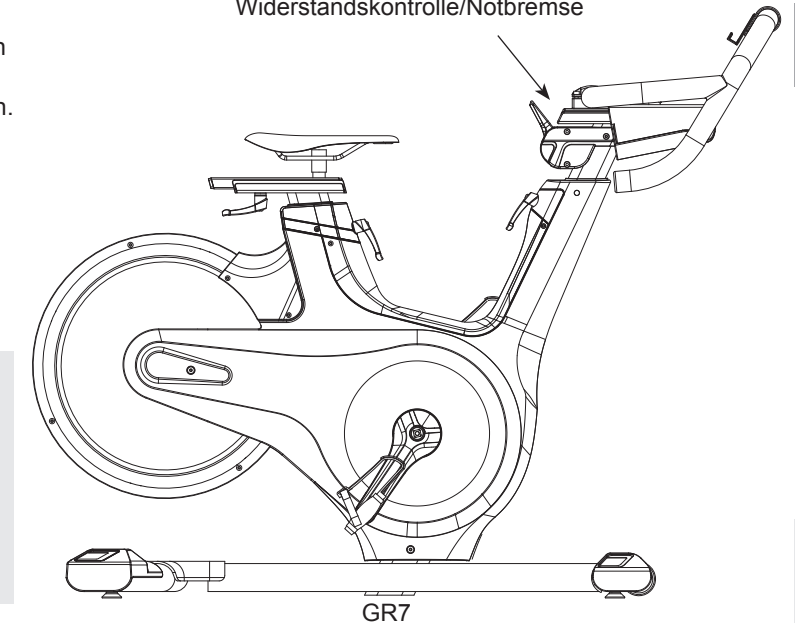
⚠️ WARNUNG

Das Indoor Cycle verfügt nicht über ein freidrehendes Schwungrad. Die Pedale bewegen sich so lange mit dem Schwungrad mit, bis das Schwungrad angehalten wird. Eine kontrollierte Geschwindigkeitsreduzierung ist erforderlich. Um das Schwungrad sofort anzuhalten, drücken Sie den Widerstandshebel weitestmöglich nach unten. Treten Sie immer kontrolliert und stellen Sie Ihre gewünschte Trittfrequenz nach Ihren eigenen Fähigkeiten ein. Notbremse: Drücken Sie den Widerstandshebel in die niedrigste Stellung.

⚠️ WARNUNG

Das Indoor Cycle wird durch ein festes Schwungrad betrieben, das eine Eigendynamik entwickelt, sodass sich die Pedale weiterdrehen, selbst wenn der Benutzer die Pedale nicht mehr tritt oder seine Füße von den Pedalen rutschen. **VERSUCHEN SIE NICHT DIE FÜSSE VON DEN PEDALEN ZU NEHMEN ODER VOM GERÄT ABZUSTEIGEN, BEVOR BEIDE PEDALE UND DAS SCHWUNGRAD NICHT VOLLSTÄNDIG STILL STEHEN.** Nichtbeachten dieser Anweisungen kann zum Kontrollverlust bis hin zu möglichen schweren Verletzungen führen.

Widerstandskontrolle/Notbremse



GR7
GR7s



MONTAGE

⚠️ WARNUNG

Es gibt mehrere Bereiche, auf die während des Montagevorgangs besonders geachtet werden muss. Das korrekte Befolgen der Montageanleitung ist sehr wichtig, und es muss sichergestellt werden, dass alle Teile sicher befestigt wurden. Wenn die Montageanleitung nicht korrekt befolgt wird, sitzen Teile des Indoor Cycle ggf. nicht fest und scheinen locker zu sein, was zu ungewöhnlichen Geräuschen führen könnte. Zur Vermeidung von Beschädigungen des Indoor Cycle müssen die Montageanleitung befolgt und Korrekturmaßnahmen ergriffen werden.

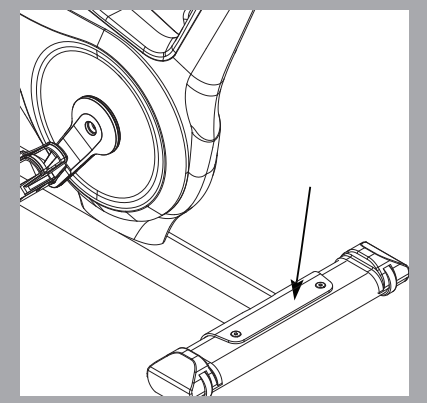
Suchen Sie vor dem Fortfahren nach der Seriennummer Ihres Indoor Cycle am vorderen Rahmen und geben Sie diese in das nachstehende Feld ein.

GEBEN SIE IHRE SERIENNUMMER IN DAS FELD UNTEN EIN:

SERIENNUMMER:

--	--	--	--	--	--	--	--	--	--	--	--	--	--	--	--	--	--	--	--	--	--	--	--	--	--

MODELLNAME: HORIZON FITNESS INDOOR CYCLE

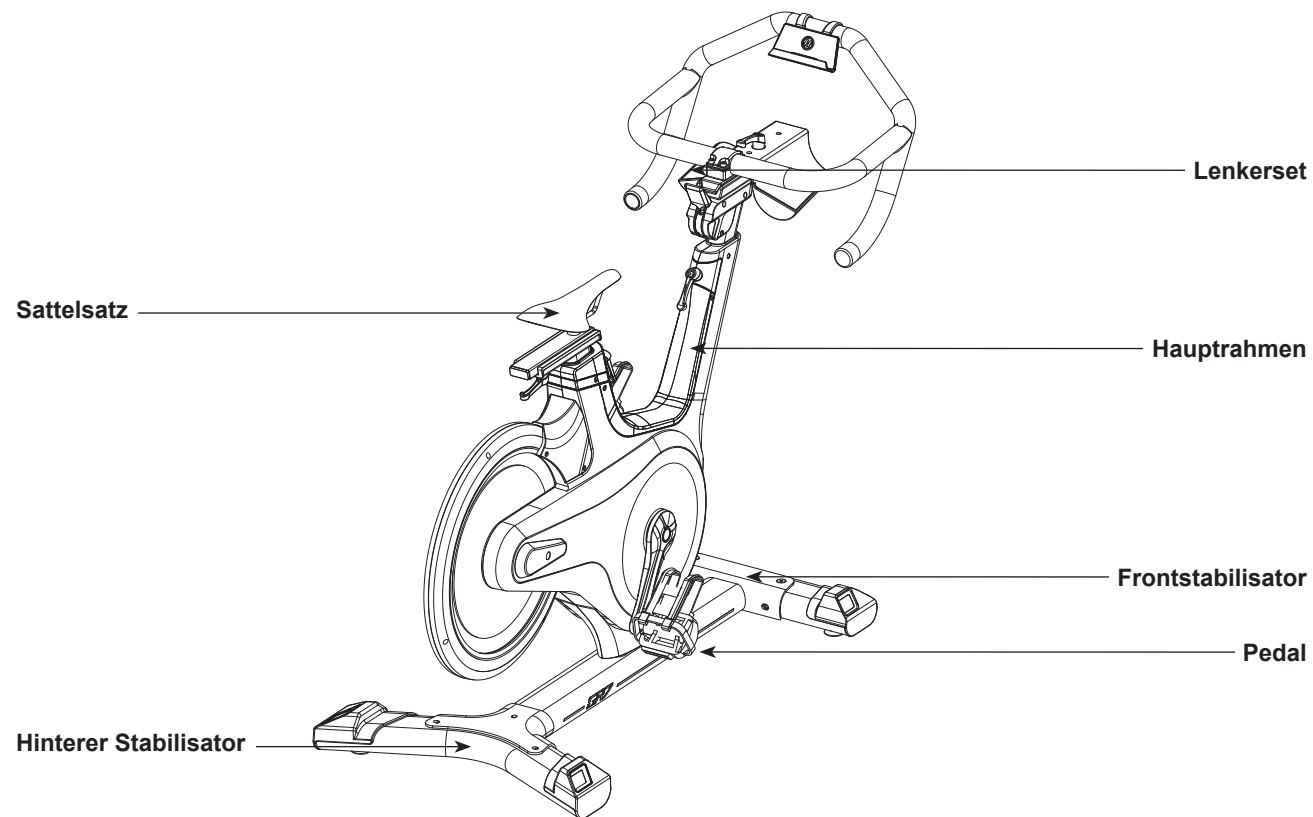


- » Nennen Sie die SERIENNUMMER und den MODELLNAMEN, wenn Sie den Kundendienst anrufen.
- » Achten Sie darauf, sowohl die Seriennummer als auch den Modellnamen auf Ihrer Garantiekarte anzugeben.

MODELLINFORMATIONEN



GR7
ABGE-
BILDET



DEUTSCH

44

HAUPTTEILE UMFASSEN:

- Hauptrahmen
- Stabilisator vorne und hinten
- Lenkerset
- Sattelsatz
- Pedale

VORMONTAGE

AUSPACKEN

Aufgrund seines Gewichtes **sollte das Indoor Cycle von zwei Personen montiert werden**. Stellen Sie das Indoor Cycle in einem freien Bereich auf und entfernen Sie alle Verpackungsmaterialien. Entsorgen Sie das Verpackungsmaterial erst, wenn die Montage abgeschlossen ist.

HINWEIS: Achten Sie während jedem Aufbauschnitt darauf, dass **ALLE** Muttern und Schrauben leicht angezogen werden, bevor **EINE** fest angezogen wird.

HINWEIS: Wir empfehlen Ihnen, beim Aufbau die Schraubengewinde mit ein bisschen Schmierfett einzuschmieren. Dazu eignet sich jede Art von Schmierfett, wie z.B. Fahrradschmierfett.

BRAUCHEN SIE HILFE?

Wenn Sie Fragen haben oder Teile fehlen, wenden Sie sich an Ihren Händler vor Ort. Kontaktinformationen finden Sie auf der Rückseite dieses Handbuchs oder auf der Garantiekarte.



GR7
GR7s

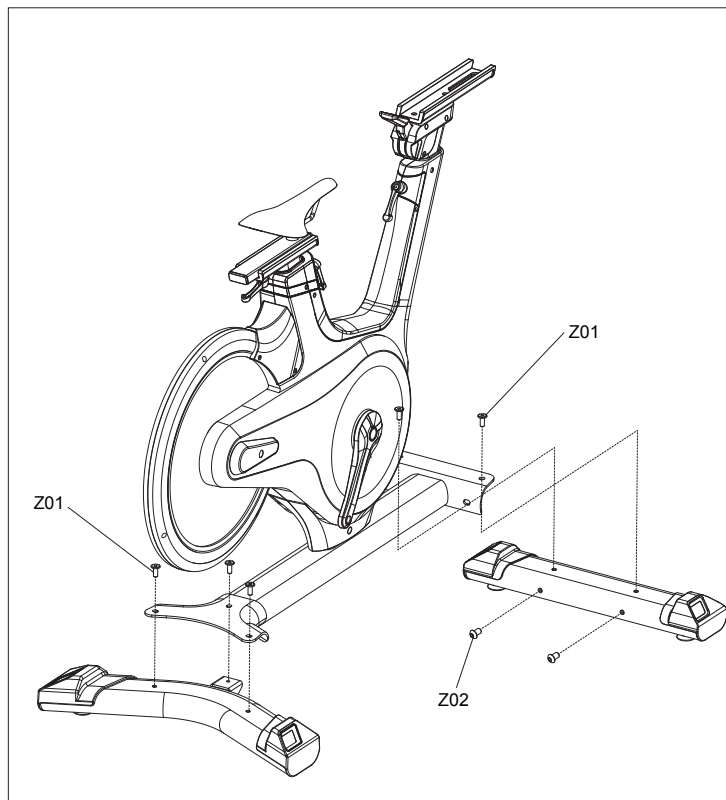
DEUTSCH

45

MONTAGE SCHRITT 1



GR7
GR7s



- A Befestigen Sie den **FRONTSTABILISATOR** am **HAUPTTRAHMEN** und ziehen Sie die **SCHRAUBEN (2 x Z01 und 2 x Z02)** mit einem **INBUSSCHLÜSSEL** fest.
- B Befestigen Sie den **HINTEREN STABILISATOR** am **HAUPTTRAHMEN** und ziehen Sie die **SCHRAUBEN (3 x Z01)** und mit einem **INBUSSCHLÜSSEL** fest.



Z01



Z02

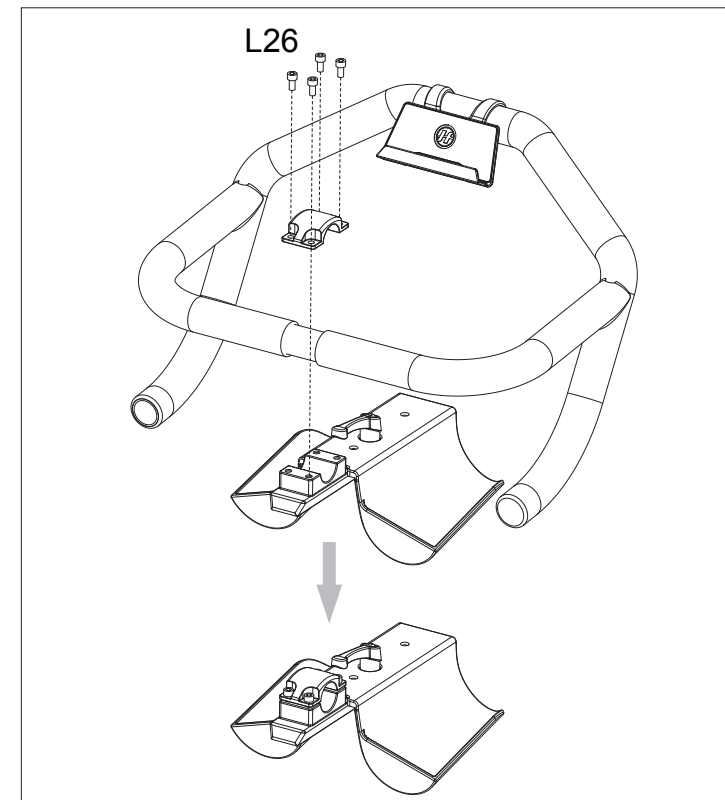
DEUTSCH

46

MONTAGE SCHRITT 2-1 (für GR7)



GR7
ABGE-
BILDET



- A Lösen Sie **4 x SCHRAUBEN (L26)** vom **GETRÄNKEHALTER**.
- B Befestigen Sie den **LENKER** am **GETRÄNKEHALTER** mit der **HALTEPLATTE (G03)** und ziehen Sie die **4 x SCHRAUBEN (L26)** mit einem **INBUSSCHLÜSSEL** fest.



L26

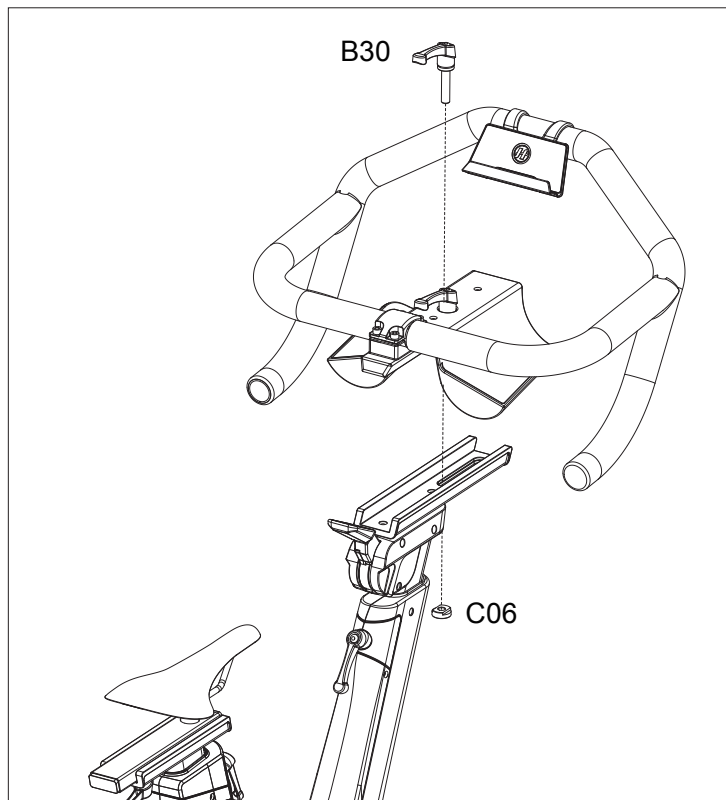
DEUTSCH

47

MONTAGE SCHRITT 2-2 (für GR7)



GR7
ABGE-
BILDET



- A Lösen Sie den **Knopf (B30)** und die **BEFESTIGUNGSBASIS (C06)**.
- B Befestigen Sie **LENKER** am **KONSOLENMAST**.
Verwenden Sie dafür den **KNOPF (B30)** und **BEFESTIGUNGSBASIS (C06)**.



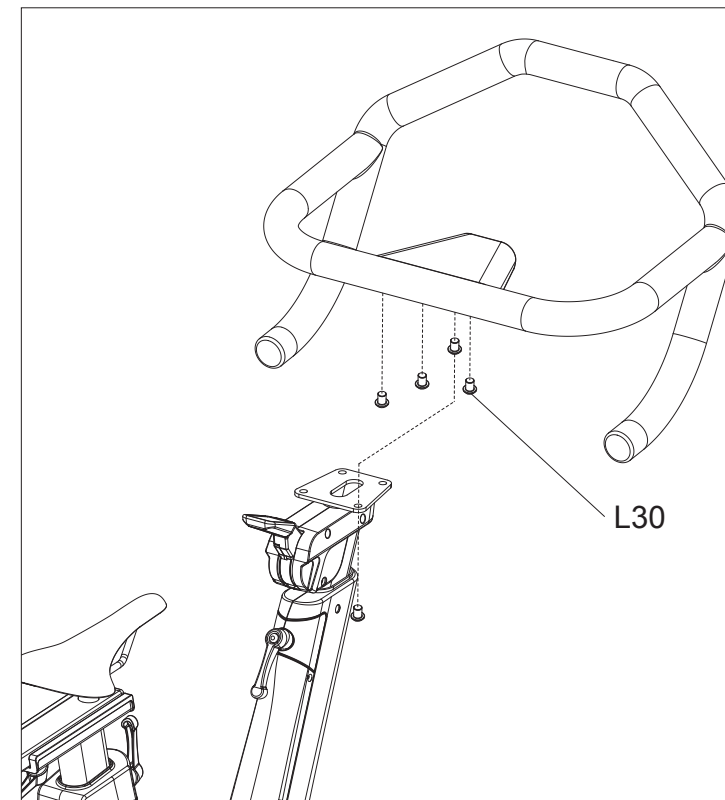
DEUTSCH

48

MONTAGE SCHRITT 2 (für GR7s)



GR7s
ABGE-
BILDET



- A Lösen Sie die **4 x SCHRAUBEN (L30)**
von der Unterseite des **LENKERS**.
- B Befestigen Sie **LENKER** am **KONSOLENMAST**
und ziehen Sie die **4 x SCHRAUBEN (L30)**
mit einem **INBUSSCHLÜSSEL** fest.



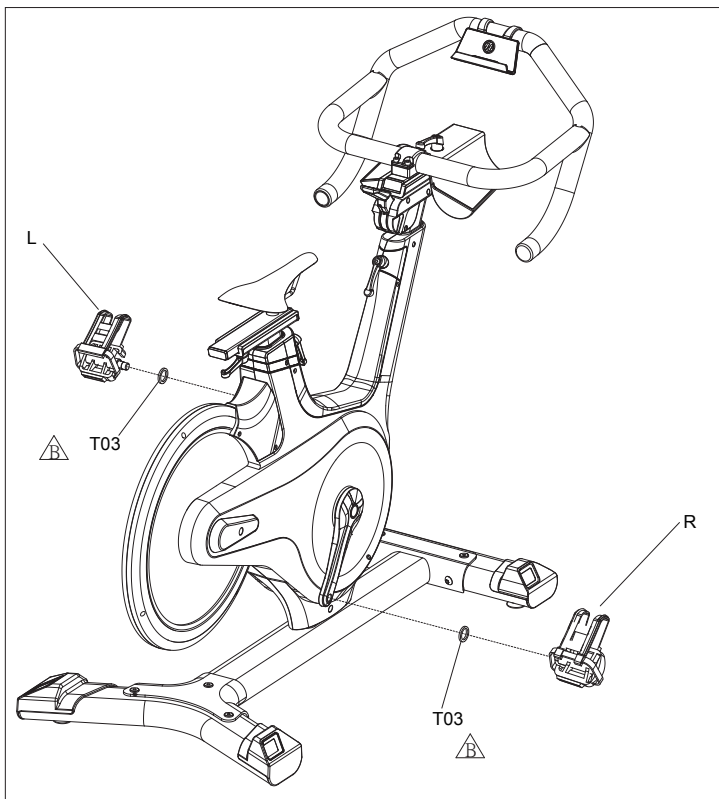
DEUTSCH

49

MONTAGE SCHRITT 3 (GR7)



GR7
ABGE-
BILDET



- A Lösen Sie **PEDAL (R)** an der **KURBEL** an der rechten Seite zwischen **KURBEL** und **PEDAL (R)**, Sie benötigen eine **UNTERLEGSSCHEIBE (T03)**. Ziehen Sie dann das **PEDAL (R)** mit einem **SCHLÜSSEL** fest.
- B Wiederholen Sie den Montagevorgang auf der linken Seite.



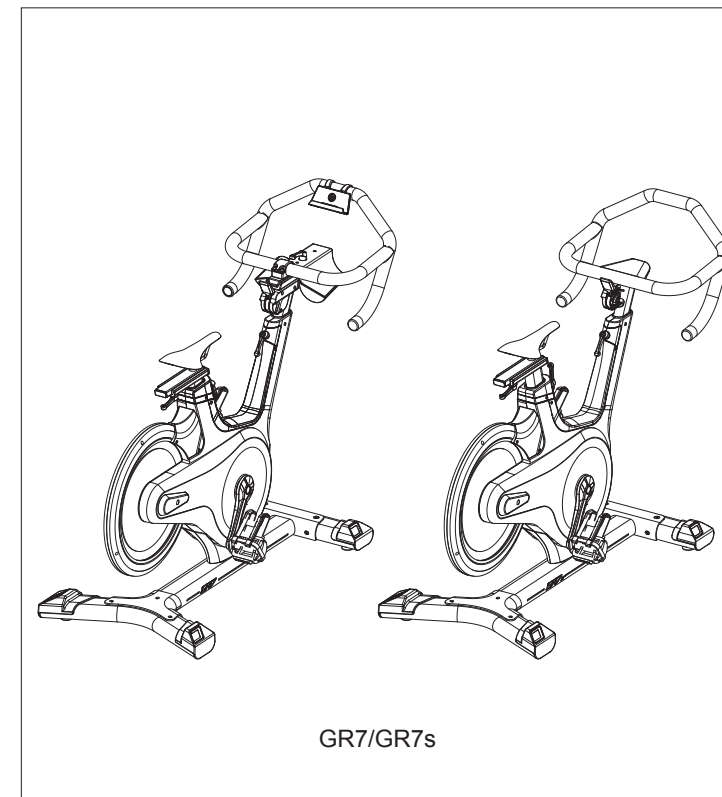
T03

MONTAGE SCHRITT 4



GR7
GR7s

MONTAGE ABGESCHLOSSEN!



GR7

Abmessungen: 134 x 56,2 x 105,8 cm (53" x 22" x 42")

Produktgewicht: 51 kg/112 lbs.

Max. Benutzergewicht: 136 kg/300 lbs.

GR7s

Abmessungen: 130,5 x 56,2 x 105,8 cm (51" x 22" x 38")

Produktgewicht: 49 kg/108 lbs.

Max. Benutzergewicht: 136 kg/300 lbs.

FEHLERBEHEBUNG UND WARTUNG



DEUTSCH



HÄUFIGE FRAGEN ZUM PRODUKT

SIND DIE GERÄUSCHE, DIE MEIN Indoor Cycle MACHT, NORMAL?

Unsere Indoor-Fahrräder gehören zu den leisesten am Markt, da Sie über Riemenantriebe und Kipphebelbremsen verfügen. Zur Geräuschminimierung verwenden wir Kugellager und Ketten/Riemen höchster Qualität. Da die Geräusche des Widerstandssystems jedoch so leise sind, können Sie gelegentlich andere leichte mechanische Geräusche hören. Im Gegensatz zu älteren, lauterer Technologien gibt es bei unseren Indoor-Fahrrädern keine Lüfter-, Reibungsriemen- oder Generatorgeräusche, die diese Geräusche übertönen würden. Diese zeitweise auftretenden mechanischen Geräusche werden durch die Übertragung beträchtlicher Energiemengen auf ein sich schnell drehendes Schwungrad erzeugt und sind normal. Alle Lager, Ketten/Riemen und anderen sich drehenden Teile erzeugen Geräusche, die durch das Gehäuse und den Rahmen übertragen werden. Es ist auch normal, dass sich der Klang dieser Geräusche aufgrund der Wärmeausdehnung der Teile während des Trainings und mit der Zeit leicht verändert.

WARUM IST DAS GELIEFERTE Indoor Cycle LAUTER ALS DAS IM LADEN?

Alle Fitnessgeräte wirken in einem großen Vorführraum eines Geschäfts leiser, da in der Regel mehr Hintergrundgeräusche vorhanden sind als bei Ihnen zu Hause. Zudem ist der Nachhall auf einem Betonboden mit Teppichbelag geringer als auf hölzernem Bodenbelag. In bestimmten Fällen ermöglicht eine schwere Gummimatte die Reduzierung von Nachhall über den Boden. Wird ein Fitnessgerät nahe an einer Wand aufgestellt, werden mehr Geräusche reflektiert.

WIE LANGE HÄLT DER RIEMEN?

Eine Computersimulation ergab mehrere Tausend wartungsfreie Stunden. Es sollte, solange Sie das Indoor Cycle besitzen, nicht nötig sein, den Riemen auszutauschen.

KANN ICH DAS Indoor Cycle LEICHT BEWEGEN, SOBALD ES MONTIERT IST?

Ihr Indoor Cycle verfügt über zwei Transporträder im vorderen Stabilisatorrohr. Bitte befolgen Sie zum Transportieren Ihres Indoor Cycle die Anweisungen im Abschnitt „Das Indoor Cycle bewegen“. Es ist wichtig, dass Sie Ihr Indoor Cycle in einem behaglichen und einladenden Raum aufstellen. Ihr Indoor Cycle ist für minimalen Raumbedarf konzipiert. Oftmals wird das Indoor Cycle gegenüber einem Fernsehgerät oder einem Panoramafenster aufgestellt. Stellen Sie das Indoor Cycle möglichst nicht in einem unfertigen Kellerraum auf. Um Ihr Training zu einer täglich wünschenswerten Aktivität zu machen, stellen Sie das Indoor Cycle in einem behaglichen Raum auf.



FEHLERSUCHE

PROBLEM: Das Indoor Cycle erzeugt ein quietschendes oder piependes Geräusch.

LÖSUNG: Überprüfen Sie Folgendes:

- Das Indoor Cycle steht auf einer ebenen Oberfläche.
- Lösen Sie alle während der Montage befestigten Schraubbolzen, schmieren Sie die Gewinde und befestigen Sie die Schraubbolzen wieder.

Wenn dies das Problem nicht behebt, können Sie **KONTAKTIEREN SIE DEN TECHNISCHEN KUNDEN-SUPPORT UNTER DER NUMMER AUF DER INFORMATIONSKARTE.**

Sie werden bei einem Anruf beim Händler möglicherweise nach den folgenden Informationen gefragt. Bitte halten Sie diese Informationen sofort bereit:

- Modellname
- Seriennummer
- Kaufbeleg

Weitere Vorschläge zur Problembehandlung finden Sie im Abschnitt Kundenbetreuung auf unserer Website. Nutzen Sie die Kontaktinformationen auf der INFORMATIONSKARTE, um den Kundendienst zu kontaktieren.

Damit der technische Kunden-Support Servicearbeiten an Ihrem Indoor Cycle durchführen kann, werden Ihnen möglicherweise detaillierte Fragen zu den auftretenden Symptomen gestellt. Nachfolgend sind einige der Fragen aufgeführt, die im Rahmen der Fehlersuche gestellt werden können:

- Wie lange tritt dieses Problem bereits auf?
- Tritt das Problem bei jeder Benutzung auf? Bei jedem Benutzer?
- Wenn Sie Geräusche wahrnehmen, kommen diese von der Vorder- oder Rückseite? Was für eine Art von Geräusch ist es (Klopfen, Schleifen, Quietschen, Zirpen usw.)?
- Wurde das Gerät gemäß Wartungsplan geschmiert und gewartet?

Durch Beantwortung dieser und weiterer Fragen, ermöglichen Sie den Technikern, Ihnen den erforderlichen Service zu bieten und korrekten Ersatzteile zuzusenden, um Sie und Ihr Indoor Cycle wieder in Schwung zu bringen!



WARTUNG

Das auf dem Design des Indoor Cycle basierende Sicherheitsniveau kann nur aufrechterhalten werden, wenn das Gerät regelmäßig auf Beschädigung und Verschleiß untersucht wird. Funktionsuntaugliche Komponenten sollten ersetzt werden oder das Gerät sollte bis zur Reparatur außer Betrieb genommen werden.

TÄGLICH

- Wischen Sie das Indoor Cycle nach jedem Gebrauch ab, um Schweiß und Feuchtigkeit zu entfernen. Verwenden Sie Seife und Wasser oder eine verdünnte, nicht scheuernde Haushaltsreinigerlösung. Spülen, um Reinigungsmittelreste zu entfernen und dann abtrocknen.
- Prüfen Sie vor jeder Verwendung auf lose Komponenten wie Pedale oder Kurbeln. Ziehen Sie alle losen Teile fest.

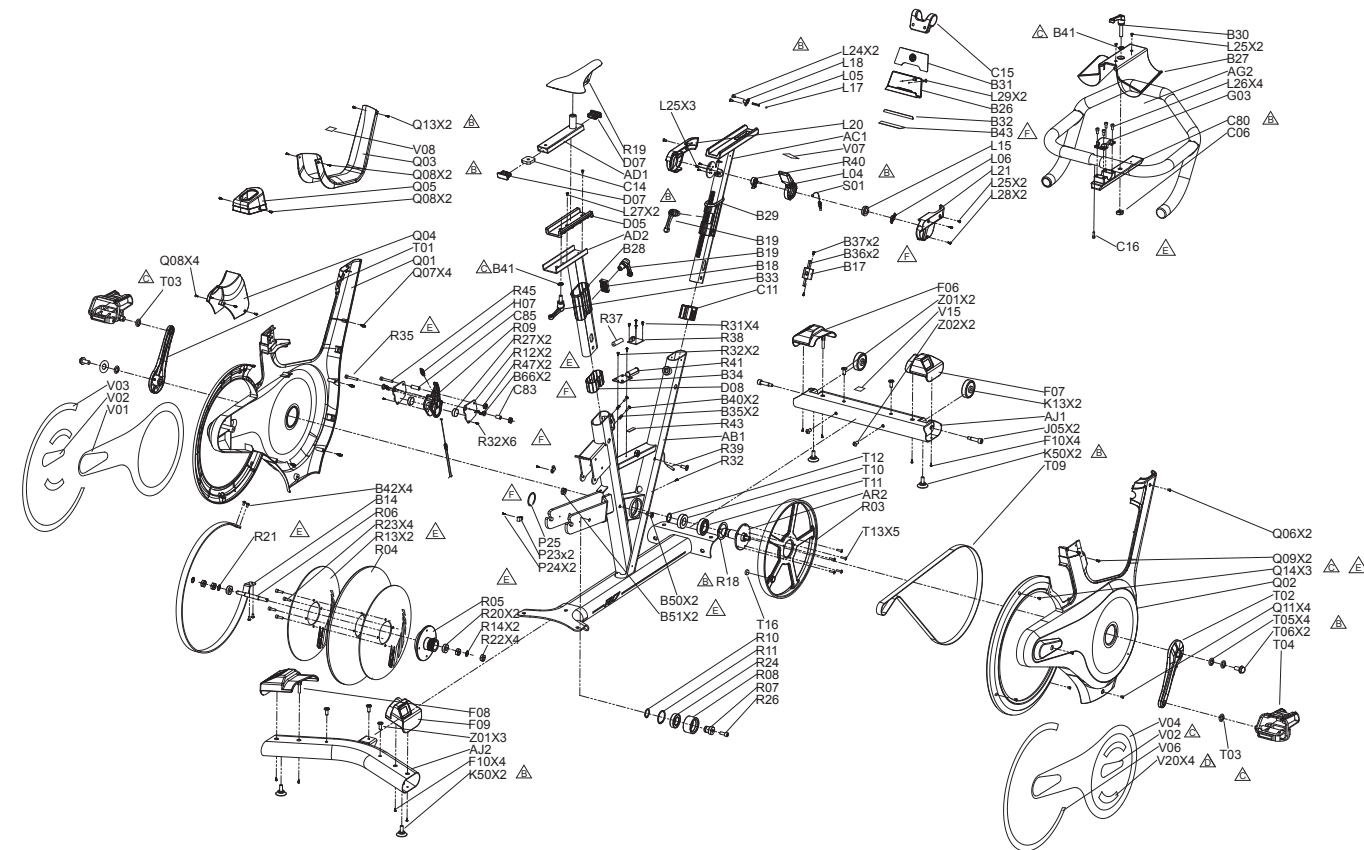
WÖCHENTLICH

- Auf korrekte Schwungradausrichtung prüfen. Schwungradmuttern gegebenenfalls anziehen.
- Kettenschutz entfernen und auf lose Kette prüfen. Justieren und schmieren Sie die Kette nach Bedarf.
- Vergewissern Sie sich, dass die Kurbelarme fest am Tretlager sitzen.
- Überprüfen Sie alle Teile, Muttern, Schrauben zur Einstellungen, Austausch oder Wartung.

MONATLICH

- Untersuchen Sie den Rahmen und die Komponenten der Hauptbaugruppe auf Rost oder Korrosion. Das Fahrrad ankippen oder auf den Kopf stellen, um Bereiche zu lokalisieren, in denen sich Rost und Korrosion bilden können. Verwenden Sie eine kleine Drahtbürste, um Rostablagerungen in kleinen Spalten wie Stellfüßen, Schnellspannhebeln und anderen Schrauben zu entfernen.
- Alle Verschleißteile auf Einstellungen oder möglichen Teileaustausch prüfen. Achten Sie besonders auf Folgendes:
 - A) Bremsbelag auf Verschleiß prüfen. Übermäßige Abnutzung oder Trockenheit zeigt an, dass ein Ersatz erforderlich ist.
 - B) Das Sitzpolster auf Verschleiß prüfen. Schlitze, Risse oder übermäßiges Spiel zeigen an, dass ein Ersatz erforderlich ist.
 - C) Die Pedale auf Spiel prüfen. Übermäßiges Spiel der Pedale zeigt an, dass ein Austausch erforderlich ist.
- Überprüfen Sie die Kette auf Spannung, indem Sie die Kurbel drehen, um das Schwungrad vorwärts zu bewegen. Führen Sie diese Bewegung in 1/4 Umdrehungen durch, um festzustellen, ob es zwischen Kurbel und Schwungrad Spiel gibt.
- Trockenheit oder längerer Gebrauch können dazu führen, dass die Einstellmöglichkeiten für Höhe und Griffweite von Sitz und Lenker zu eng sitzen. Wenn dies der Fall ist, sollte die gleitende Einheit vom Rahmen entfernt und vor der Montage ein Schmiermittelfleck auf die Gleitfläche aufgetragen werden. In ähnlicher Weise etwas leichtes Fett auf die Klemmvorrichtung auftragen, um sicherzustellen, dass sie nicht festsetzt. Überschüssiges Fett vor der Montage entfernen.
- Bitte schmieren Sie Sattelstützen-, Bremsbelag- und Lenkereinstellung regelmäßig mit dem Schmiermittel aus Ihrer Teileverpackung.

GR7 EXPLOSIONSANSICHT



GR7 TEILELISTE

NR.	BESCHREIBUNG	MENGE
AB1	RAHMENSET	1
B17	BEFESTIGUNGSPLATTE; RAHMEN; LINKS	1
B36	BLATTFEDER; TORSION	2
B37	SCHRAUBE	2
B18	PRESSBLOCK; RAHMEN; RECHTS	1
B19	NOPPE	2
B14	BEFESTIGUNGSPLATTE	1
B29	ABDECKUNG; RAHMEN; VORNE	1
B28	ABDECKUNG; RAHMEN; HINTEN	1
B42	SCHRAUBE	4
B35	FEDER	2
B40	SCHRAUBE	2
B50	SCHRAUBE	2
B51	MUTTER	2
P23	DOPPELSEITIGES KLEBEBAND	2
P24	SCHRAUBE	2
P25	BEWEGLICHE BUCHSE	0
AC1	KONSOLENMASTSET	1
C06	BEFESTIGUNGSBASIS; KNOPF	1
C80	BEFESTIGUNGSBLOCK	1

NR.	BESCHREIBUNG	MENGE
AG2	LENKER	1
L06	STELLUNGSHAKEN	1
L20	ABDECKUNG	1
L21	ABDECKUNG	1
S01	STAHLSEIL	1
L15	PENDELACHSE	1
L24	SCHRAUBE	2
L25	SCHRAUBE	7
L26	SCHRAUBE	4
L28	SCHRAUBE	2
L29	SCHRAUBE	2
B26	MP3 BEFESTIGUNGSGESTELL	1
G03	BEFESTIGUNGSPLATTE	1
C11	KAPPE	1
B27	KESSELGERÜST	1
L05	FEDER	1
L18	FEDERSTIFT	1
L17	STAHLKUGEL	1
B30	NOPPE	1
B31	SCHAUMPAD	1

NR.	BESCHREIBUNG	MENGE
B32	SCHAUMPAD	1
C15	FESTES SCHNALLENSSET	1
L04	LENKER	1
L27	SCHRAUBE	2
B41	UNTERLEGSCHLEIBE	2
C16	SCHRAUBE	1
B43	SCHAUMPAD	1
AJ1	STABILISATORSET	1
J05	SCHRAUBE	2
AJ2	STABILISATORSET	1
K50	FUSSPOLSTER	4
K13	TRANSPORTRÄDER	2
F06	KAPPE; VORNE RECHTS	1
F07	KAPPE; VORNE LINKS	1
F08	KAPPE; HINTEN LINKS	1
F09	KAPPE; HINTEN RECHTS	1
F10	SCHRAUBE	8
AD1	SATTELSCHLAUFENSET	1
AD2	ANPASSBARES SITZPOLSTERSET	1
D05	FÜHRUNGSBLOCK	1

NR.	BESCHREIBUNG	MENGE
R19	SITZPOLSTER	1
D08	KAPPE; UNTEN	1
C14	POLSTERPLATTE	1
B33	NOPPE	1
D07	KAPPE; OBEN	2
R18	AUSGLEICHSSCHLEIBE	1
R03	SCHLEIBE	1
T16	MAGNET	1
T09	RIEMEN; POLY-V	1
T04	PEDALSET; L/R	1
T10	LAGER	1
T11	LAGER	1
T12	SICHERUNGSRING	1
T01	KURBEL; L	1
T02	KURBEL; R	1
R13	BEFESTIGUNGSPLATTE	2
R04	SCHLEIBE	1
R05	BEFESTIGUNGSSCHLEIBE	1
R06	HAUPTACHSE	1
R20	LAGER	2



GR7 TEILELISTE

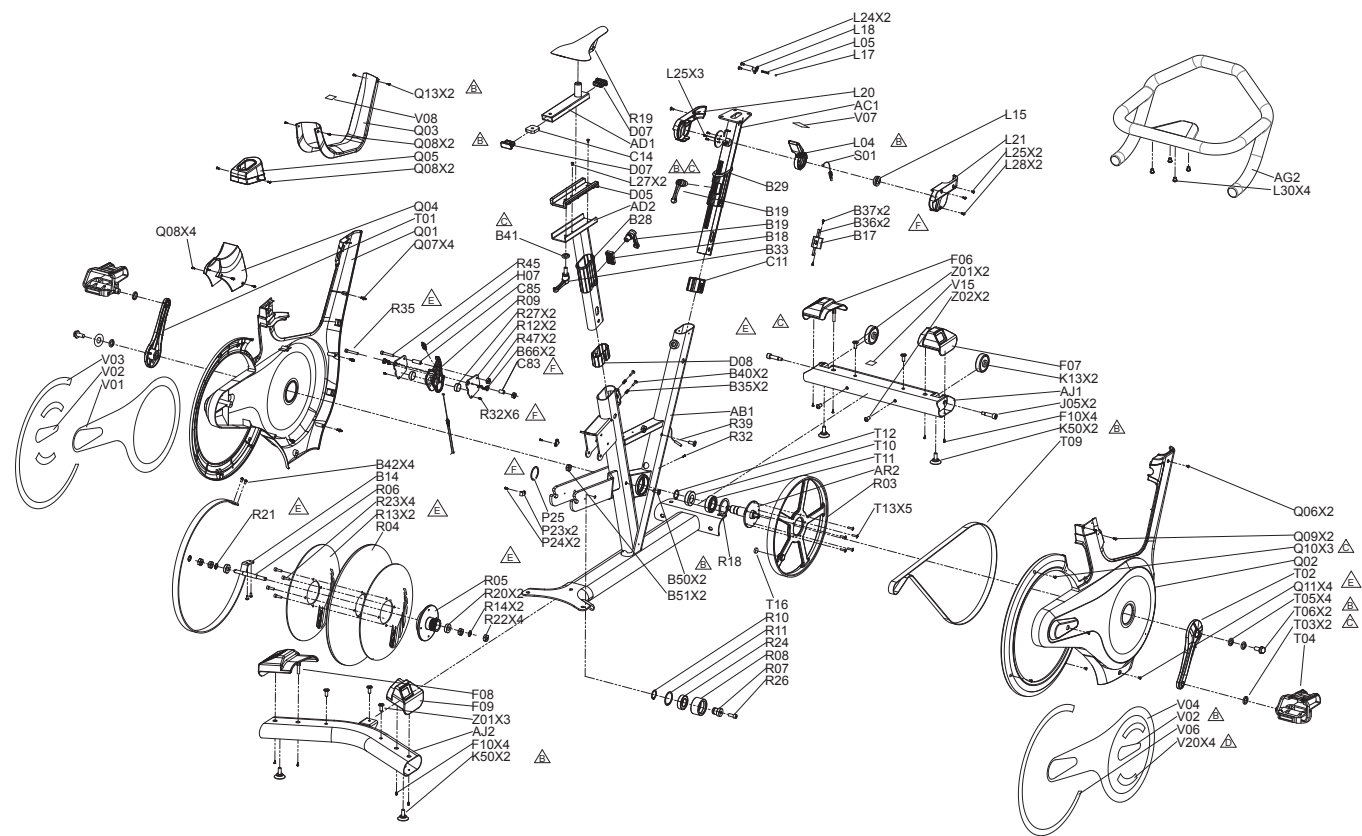
NR.	BESCHREIBUNG	MENGE
R21	UNTERLEGSCHIEBE	1
R22	MUTTER	4
R23	SCHRAUBE	4
R14	UNTERLEGSCHIEBE	2
R07	ACHSE	1
R08	UMLENKROLLE	1
R24	LAGER	1
R26	SCHRAUBE	1
R10	SCHNAPPRING; C-FORM	1
R11	SCHNAPPRING; C-FORM	1
T06	SCHRAUBENSET	2
T05	UNTERLEGSCHIEBE	4
AR2	HAUPTPEDALACHSE	1
T13	SCHRAUBE	5
R09	KUNSTSTOFFGESTELL	1
R12	BEFESTIGUNGSPLATTE	1
R27	STARKMAGNET	2
B66	KUNSTSTOFFFÜHRUNG	2
R45	SCHRAUBE	1
R47	MUTTER	2

NR.	BESCHREIBUNG	MENGE
H07	FEDER	1
R37	BATTERIE	1
R38	LCB	1
R39	GESCHWINDIGKEITSENSORKABEL	1
R41	BATTERIESOCKEL	1
R40	MODUL; GRUPPE ANPASSBARER WIDERSTAND	1
B34	BEFESTIGUNGSBASIS	1
R43	TAPE; SCHAUM; DOPPELSEITIG;	1
R31	SCHRAUBE	4
R33	SCHRAUBE	4
R32	SCHRAUBE	3
C83	POSITIONSACHSE	1
R35	SCHRAUBE	1
C85	POSITIONSACHSE	1
Q01	SEITE ABDECKUNG; LINKS	1
Q02	SEITE ABDECKUNG; RECHTS	1
Q03	ABDECKUNG; VORNE	1
Q04	ABDECKUNG; HINTEN	1
Q05	ABDECKUNG; OBEN	1
Q07	BEFESTIGUNGSSÄULE	4

NR.	BESCHREIBUNG	MENGE
Q08	SCHRAUBE	8
Q09	SCHRAUBE	2
Q06	SCHRAUBE	2
Q11	SCHRAUBE	4
Q13	SCHRAUBE	2
V01	AUFKLEBER; SEITEN ABDECKUNG; LINKS-OBEN	1
V02	AUFKLEBER; SEITEN ABDECKUNG; LINKS-UNTEN	2
V03	AUFKLEBER; SEITEN ABDECKUNG; LINKS-HINTEN	1
V04	AUFKLEBER; SEITEN ABDECKUNG; RECHTS-OBEN	1
V06	AUFKLEBER; SEITEN ABDECKUNG; RECHTS-HINTEN	1
V07	AUFKLEBER; LENKER; OBEN	1
V08	WARNAUFKLEBER; OBEN	1
V15	EN-AUFKLEBER	1
V20	AUFKLEBER; SEITEN ABDECKUNG; MITTE	4
Z01	SCHRAUBE	5
Z03	SCHRAUBENSCHLÜSSEL	1
Z02	SCHRAUBE	2
Z04	SCHRAUBENSCHLÜSSEL	1
T03	AUSGLEICHSSCHIEBE	2



GR7S EXPLOSIONSANSICHT



GR7S TEILELISTE

NR.	BESCHREIBUNG	MENGE
AB1	RAHMENSET	1
B17	BEFESTIGUNGSPLATTE	1
B36	BLATTFEDER	2
B37	SCHRAUBE	2
B18	PRESSBLOCK	1
B19	NOPPE	2
B29	KAPPE; VORNE	1
B28	KAPPE; HINTEN	1
B42	SCHRAUBE	4
B35	FEDER	2
B40	SCHRAUBE	2
B50	SCHRAUBE	2
B51	MUTTER	2
P23	DOPPELSEITIGES KLEBEHAND	2
P24	SCHRAUBE	2
P25	BEWEGLICHE BUCHSE	0
S01	STAHLSEIL	1
AC1	KONSOLENMASTSET	1
AG2	LENKER	1
L20	ABDECKUNG; LENKER; LINKS	1

NR.	BESCHREIBUNG	MENGE
L21	ABDECKUNG; LENKER; RECHTS	1
L15	PENDELACHSE	1
L28	SCHRAUBE	2
L25	SCHRAUBE	5
L05	FEDER	1
L18	FEDERSTIFT	1
L17	STAHLKUGEL	1
L30	SCHRAUBE	4
L24	SCHRAUBE	2
C11	KAPPE; KONSOLENMAST; UNTEN	1
L04	LENKER	1
L27	SCHRAUBE	2
C16	SCHRAUBE	1
AJ1	STABILISATORSET	1
J05	SCHRAUBE	2
AJ2	STABILISATORSET; HINTEN	1
K50	FUSSPOLSTER	4
K13	TRANSPORTRÄDER	2
F06	KAPPE; VORNE RECHTS	1
F07	KAPPE; VORNE LINKS	1



GR7S TEILELISTE

NR.	BESCHREIBUNG	MENGE
F08	KAPPE; HINTEN LINKS	1
F09	KAPPE; HINTEN RECHTS	1
F10	SCHRAUBE	8
AD1	SATTELSCHLAUFENSET	1
AD2	ANPASSBARES SITZPOLSTERSET	1
D05	FÜHRUNGSBLOCK	1
R19	SITZPOLSTER	1
D08	KAPPE; UNTEN	1
C14	POLSTERPLATTE	1
B33	NOPPE	1
D07	KAPPE; SITZPOLSTER; OBEN	2
B41	UNTERLEGSCHLEIBE	1
T16	MAGNET	1
R03	SCHEIBE	1
T09	RIEMEN; POLY-V	1
T04	PEDALSET	1
T10	LAGER	1
T11	LAGER	1
T12	SICHERUNGSRING	1
T13	SCHRAUBE	5

NR.	BESCHREIBUNG	MENGE
R13	BEFESTIGUNGSPLATTE	2
R04	SCHEIBE	1
R05	BEFESTIGUNGSSCHEIBE	1
R06	HAUPTACHSE	1
R20	LAGER	2
R21	UNTERLEGSCHLEIBE	1
R22	MUTTER	4
R23	SCHRAUBE	4
R14	UNTERLEGSCHLEIBE	2
R07	ACHSE; FÜHRUNG	1
R08	UMLENKROLLE	1
R24	LAGER	1
R26	SCHRAUBE	1
R10	SICHERUNGSRING	1
R11	SICHERUNGSRING	1
T01	KURBEL; L	1
T02	KURBEL; R	1
T06	SCHRAUBENSET	2
T05	UNTERLEGSCHLEIBE	4
R18	AUSGLEICHSSCHLEIBE	1

NR.	BESCHREIBUNG	MENGE
AR2	PEDALENHAUPTACHSE-EXTRAARBEIT	1
B66	KUNSTSTOFFFÜHRUNG	2
H07	FEDER	1
R39	GESCHWINDIGKEITSENSORKABEL	1
R31	SCHRAUBE	4
R32	SCHRAUBE	7
R09	KUNSTSTOFFGESTELL	1
R12	BEFESTIGUNGSPLATTE	1
C85	POSITIONSACHSE	1
C83	POSITIONSACHSE	1
R45	SCHRAUBE	1
R35	SCHRAUBE	1
R47	MUTTER	2
R27	STARKMAGNET	2
Q01	SEITE ABDECKUNG; LINKS	1
Q02	ABDECKUNG; RECHTS	1
Q03	ABDECKUNG; VORNE	1
Q04	ABDECKUNG; HINTEN	1
Q05	ABDECKUNG; OBEN	1
Q08	SCHRAUBE	8

NR.	BESCHREIBUNG	MENGE
Q09	SCHRAUBE	2
Q07	BEFESTIGUNGSSÄULE	4
Q06	SCHRAUBE	2
Q11	SCHRAUBE	4
Q13	SCHRAUBE	2
Q10	SCHRAUBE	3
V07	AUFKLEBER; LENKER; OBEN	1
V01	AUFKLEBER; SEITEN ABDECKUNG; LINKS-OBEN	1
V02	AUFKLEBER; SEITEN ABDECKUNG; LINKS-UNTEN	2
V03	AUFKLEBER; SEITEN ABDECKUNG; LINKS-HINTEN	1
V04	AUFKLEBER; SEITEN ABDECKUNG; RECHTS-OBEN	1
V06	AUFKLEBER; SEITEN ABDECKUNG; RECHTS-HINTEN	1
V08	WARNAUFKLEBER; OBEN	1
V15	EN-AUFKLEBER	1
V20	AUFKLEBER; SEITEN ABDECKUNG; MITTE	4
Z01	SCHRAUBE	5
Z03	SCHRAUBENSCHLÜSSEL	1
Z02	SCHRAUBE	2
Z04	SCHRAUBENSCHLÜSSEL	1
T03	AUSGLEICHSSCHLEIBE	2



BEDIENING VAN DE INDOORFIETS



NEDERLANDS

GR7
GR7s

BELANGRIJKE VEILIGHEIDSINSTRUCTIES BEWAAR DEZE INSTRUCTIES LEES ALLE INSTRUCTIES VOORDAT U DEZE FITNESSAPPARATUUR GEBRUIKT.

- Houd kinderen te allen tijde uit de buurt van de fiets.
- Bij gebruik van de fiets moeten kleine kinderen en huisdieren zich op minstens 3 meter (10 ft.) afstand bevinden.
- Gebruik deze fiets uitsluitend voor het beoogde doel, zoals beschreven in de handleiding.
- Houd uw handen weg bij alle bewegende onderdelen. Draai nooit met de hand aan de pedaalcrankarmen.
- Haal uw voeten niet van de pedalen terwijl ze nog in beweging zijn.
- Na het sporten duwt u de spanningsknop in of draait u de spanningsknop naar rechts om het vliegwiel te laten vertragen en het risico op letsel te verminderen.
- Stap niet van de fiets af totdat beide pedalen en het vliegwiel volledig tot stilstand zijn gekomen.
- Probeer niet om deze fiets aan hoge snelheden of in staande positie te gebruiken totdat u geoefend hebt en het rijden op lagere snelheden onder de knie hebt.
- Draai de spanningsknop naar rechts om weerstand aan het vliegwiel toe te voegen voordat u op de pedalen gaat staan.
- Zorg dat er nooit voorwerpen in een opening van de fiets vallen of terechtkomen.
- Draag altijd gepast schoeisel.
- Draai de spanningsknop naar rechts om het vliegwiel te vergrendelen wanneer het niet in gebruik is.

Om te verzekeren dat het te allen tijde veilig is om deze fiets te gebruiken, dient u de onderdelen regelmatig op slijtage na te kijken. Onderdelen die overmatig versleten of onbruikbaar zijn, dienen onmiddellijk vervangen te worden of de fiets dient buiten gebruik gesteld te worden totdat de reparatie uitgevoerd is.

OPGELET!

Als u pijn op de borst voelt of misselijk, duizelig of kortademig bent, stop dan onmiddellijk met sporten en raadpleeg uw arts voordat u verder gaat.



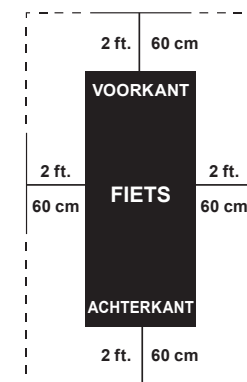
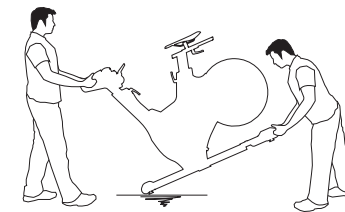
Dit apparaat is enkel bedoeld voor thuisgebruik binnenshuis en is niet aanbevolen voor gebruik in een commerciële omgeving.

DE INDOORFIETS VERPLAATSEN

Vanwege het gewicht van de indoorfiets wordt aangeraden hem met twee personen te verplaatsen. Terwijl één persoon de achterkant van de indoorfiets optilt, houdt de tweede persoon het stuur stevig vast en kantelt de indoorfiets naar voren tot hij op de wielen staat. Verplaats de indoorfiets voorzichtig naar de gewenste locatie en laat hem vervolgens zakken.

Als de indoorfiets beweegt als hij op de grond staat, pas dan de stelvoeten onder de voorste of achterste stabilisator aan tot de fiets niet meer beweegt.

Grijp het stuur stevig vast, kantel de fiets voorzichtig naar u toe en rol hem op de transportwieltjes.



PLAATSING VAN DE INDOORFIETS

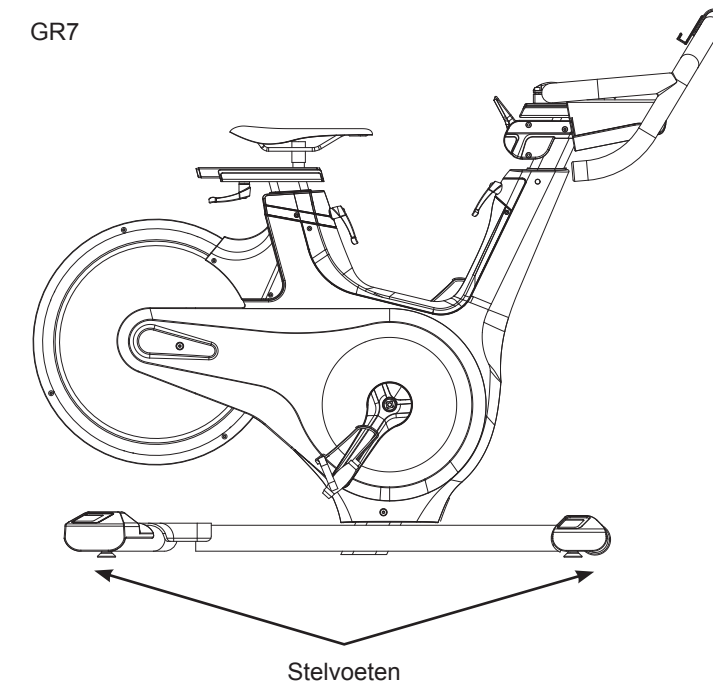
Plaats de indoorfiets op een effen oppervlak. Rondom de indoorfiets moet 60 centimeter (2 ft.) ruimte zijn aan elke kant. Plaats de fiets niet op een plek waar hij ventilatie- of luchtgaten blokkeert. De indoorfiets mag niet in een garage of op een overdekt terras, in de buurt van water of buiten worden geplaatst.

⚠ WAARSCHUWING

Om het risico op persoonlijk letsel te verkleinen, dient u zeer voorzichtig te zijn bij het verplaatsen van de indoorfiets. Probeer niet om de fiets te verplaatsen over een oneffen oppervlak en zorg ervoor dat er een veiligheidsmarge is van (minimaal) 50 cm ten opzichte van de dichtstbijzijnde apparatuur.

GR7
GR7s

GR7

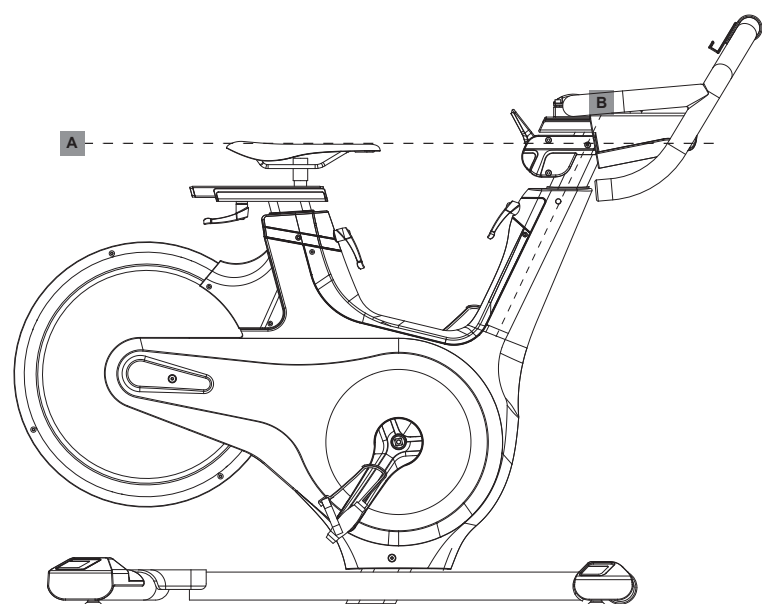


DE INDOORFIETS AFSTELLEN

De indoorfiets kan worden afgesteld voor maximaal comfort en doeltreffendheid van de training. De onderstaande instructies beschrijven een manier om de indoorfiets af te stellen voor optimaal gebruikskomfort en een ideale lichaamspositie; u kunt ervoor kiezen de indoorfiets op een andere manier aan te passen.



GR7
GR7s

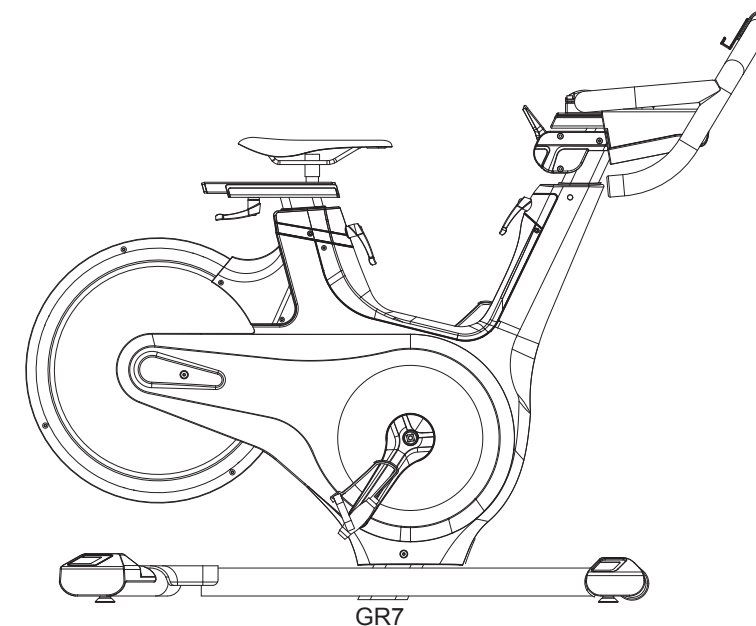


ZADELAFSTELLING

De juiste zadelhoogte zorgt voor een maximale trainingsefficiëntie en comfort, en vermindert het risico op persoonlijk letsel. Pas de zadelhoogte aan om ervoor te zorgen dat ze in de correcte positie staat, waarbij uw knie enigszins is gebogen wanneer uw been gestrekt is.

STUUR VERSTELLEN

De correcte positie van het stuur hangt voornamelijk af van comfort. Voor beginnende fietsers moet het stuur over het algemeen iets hoger staan dan het zadel. Gevorderde fietsers kunnen verschillende hoogten proberen om de meest geschikte afstelling te vinden.



OM DE ZADELHOOGTE AAN TE PASSEN:

Draai de verstelhendel naar links en zet het zadel in een comfortabele trappositie. Draai de hendel naar rechts om de positie van het zadel te vergrendelen.

OM DE HORIZONTALE POSITIE VAN HET ZADEL AAN TE PASSEN:

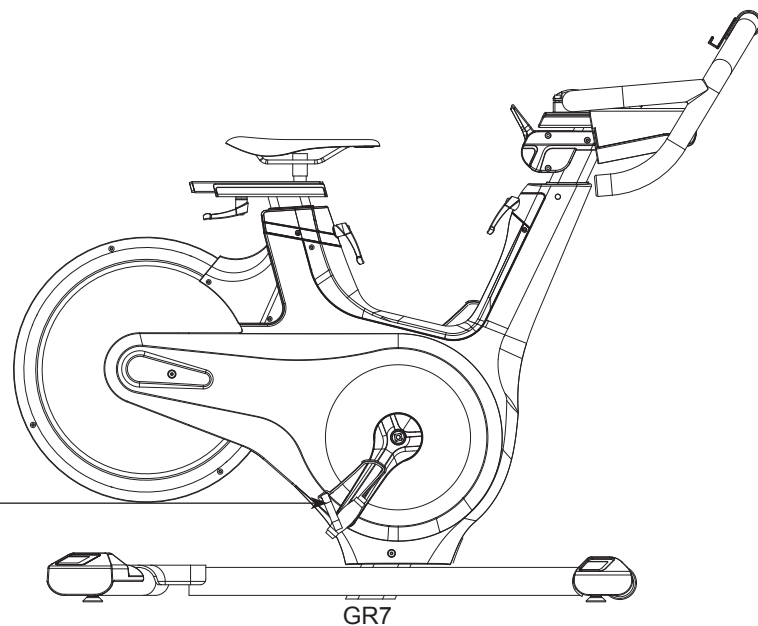
Draai de verstelhendel naar links om het zadel vooruit of achteruit te schuiven. Draai de hendel naar rechts om de positie van het zadel te vergrendelen. Test de zadelschuif op een correcte werking.



GR7
GR7s



GR7
GR7s



De pedaalriemen moeten worden aangepast zodat de voet goed in het pedaal past.

GR7

OM DE HOOGTE VAN HET STUUR AAN TE PASSEN:

Draai de verstelhendel naar links om de stuurhoogte aan te passen. Verhoog of verlaag het stuur naar de gewenste hoogte. Draai de hendel naar rechts om de stuurpositie te vergrendelen.

OM DE PEDAALRIEMEN AAN TE PASSEN:

Plaats de voet op de pedalen en in de teenbeugel zodanig dat de voet is gecentreerd boven de pedaalas (midden van het pedaal). Draai één voet tot hij binnen handbereik is en trek de teenbeugelriem aan. Herhaal dit voor de andere voet. Houd uw knieën boven uw voeten terwijl u trapt. Als u uw voet uit de teenbeugel wilt verwijderen, maakt u het bandje los en trekt u uw voet eruit.

WEERSTANDSCONTROLE EN NOODREM

Het gewenste moeilijkheidsniveau bij het fietsen (weerstand) kan stapsgewijs worden geregeld met de weerstandscntrolehendel. Om de weerstand te verhogen, duwt u de weerstandscntrolehendel naar beneden. Om de weerstand te verlagen, trekt u de weerstandscntrolehendel naar boven.

BELANGRIJK:

- Om het vliegwiel tijdens het fietsen tot stilstand te brengen, duwt u de weerstandscntrolehendel hard naar beneden.
- Het vliegwiel komt snel volledig tot stilstand.
- Zorg ervoor dat uw schoenen in de teenbeugel zijn bevestigd.
- Pas volledige weerstandsbelasting toe wanneer de fiets niet wordt gebruikt om verwondingen te voorkomen als gevolg van bewegende onderdelen van de aandrijving.

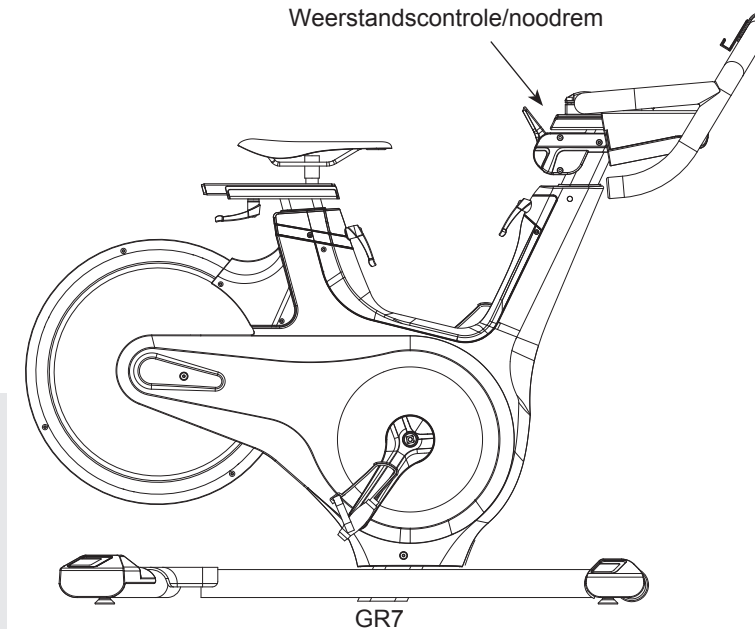
⚠ WAARSCHUWING

De indoorfiets heeft geen apart bewegend vliegwiel. De pedalen zullen samen met het vliegwiel blijven bewegen totdat het vliegwiel tot stilstand komt. U moet de snelheid op een gecontroleerde manier verlagen. Om het vliegwiel onmiddellijk tot stilstand te brengen, duwt u de weerstandscntrolehendel hard naar beneden. Trap altijd op een gecontroleerde manier en pas de gewenste cadans aan, afhankelijk van uw eigen vaardigheden. De weerstandscntrolehendel hard naar beneden duwen = noodstop.

⚠ WAARSCHUWING

De indoorfiets maakt gebruik van een vast vliegwiel dat kracht opbouwt en de pedalen laat draaien, zelfs nadat de gebruiker is gestopt met trappen of als de voeten van de gebruiker wegschieten van de pedalen. **PROBEER NIET OM UW VOETEN VAN DE PEDALEN TE HALEN OF VAN DE MACHINE AF TE STAPPEN TOTDAT BEIDE PEDALEN EN HET VLIEGWIEL VOLLEDIG TOT STILSTAND ZIJN GEKOMEN.** Het niet naleven van deze instructies kan leiden tot controleverlies en het risico op ernstig letsel.

Weerstandscntrole/noodrem



GR7



GR7
GR7s



GR7
GR7s

74

MONTAGE



⚠ WAARSCHUWING

Er zijn verschillende delen van het montageproces die bijzondere aandacht vereisen. Het is heel belangrijk om de montage-instructies correct uit te voeren en na te gaan of alle onderdelen stevig vastzitten. Als u de montage-instructies niet correct opvolgt, kan het zijn dat niet alle onderdelen van de indoorfiets zijn aangespannen, waardoor ze los lijken te zitten en irriterende geluiden kunnen veroorzaken. Om schade aan de indoorfiets te voorkomen, dient u de montage-instructies te raadplegen en corrigerende maatregelen te nemen.

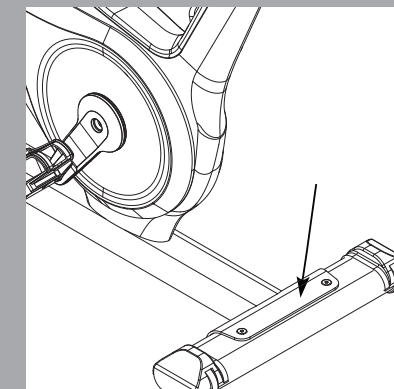
Zoek voordat u verder gaat het serienummer van uw indoorfiets dat zich op het voorste draagframe van de fiets bevindt en vul het serienummer in de hieronder voorziene ruimte in.

VOER UW SERIENUMMER IN HET VAK HIERONDER IN:

SERIENUMMER:

--	--	--	--	--	--	--	--	--	--	--	--	--	--	--	--	--	--	--	--	--

MODELNAAM: **HORIZON** **INDOORFIETS**

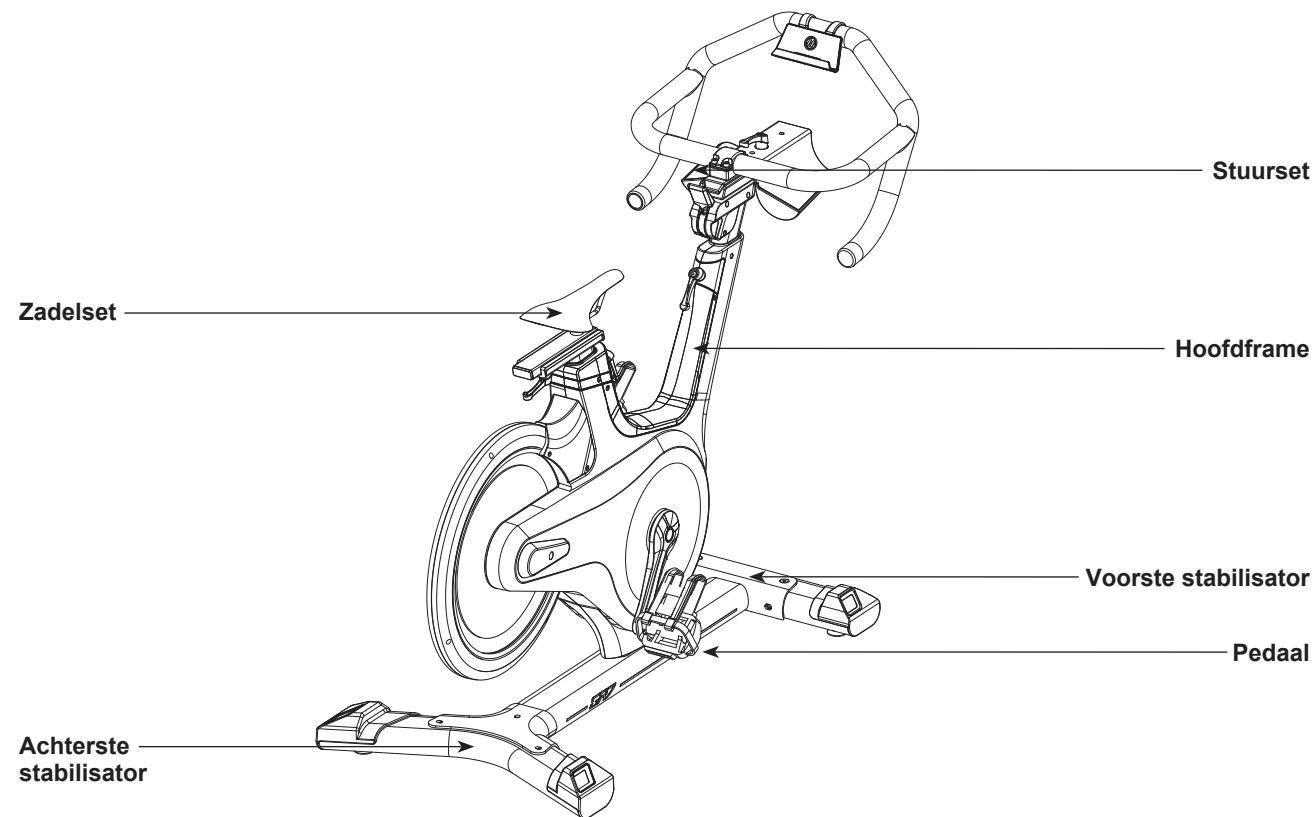


- » Verwijs naar het SERIENUMMER en de MODELNAAM wanneer u belt voor service.
- » Vul zowel het SERIENUMMER als de MODELNAAM in op uw garantietafel.

MODELINFORMATIE



GR7
AFGE-
BEELD



MEEGELEVERDE HOOFDONDERDELEN:

- Hoofdframe
- Stabilisator voor en achter
- Stuurset
- Zadelset
- Pedalen

VOOR DE MONTAGE

UITPAKKEN

Vanwege het gewicht van de indoorfiets **raden we aan om de montage met twee personen uit te voeren**. Plaats de indoorfiets op een lege plek en verwijder al het verpakkingsmateriaal; gooi het verpakkingsmateriaal pas weg als de montage is voltooid.

OPMERKING: zorg er tijdens elke montageslap voor dat ALLE moeren en bouten op hun plek zitten en deels zijn vastgedraaid voordat u OM HET EVEN WELKE bout volledig aanspant.

OPMERKING: de montage van het apparaat kan gemakkelijker zijn indien u een klein beetje olie gebruikt. Om het even welke olie, zoals bijvoorbeeld fietsolie op lithiumbasis, is aangeraden.

HULP NODIG?

Als u vragen hebt of als er onderdelen ontbreken, neem dan contact op met uw plaatselijke dealer. Contactgegevens staan op de achterzijde van deze handleiding of op de garantiekaart.

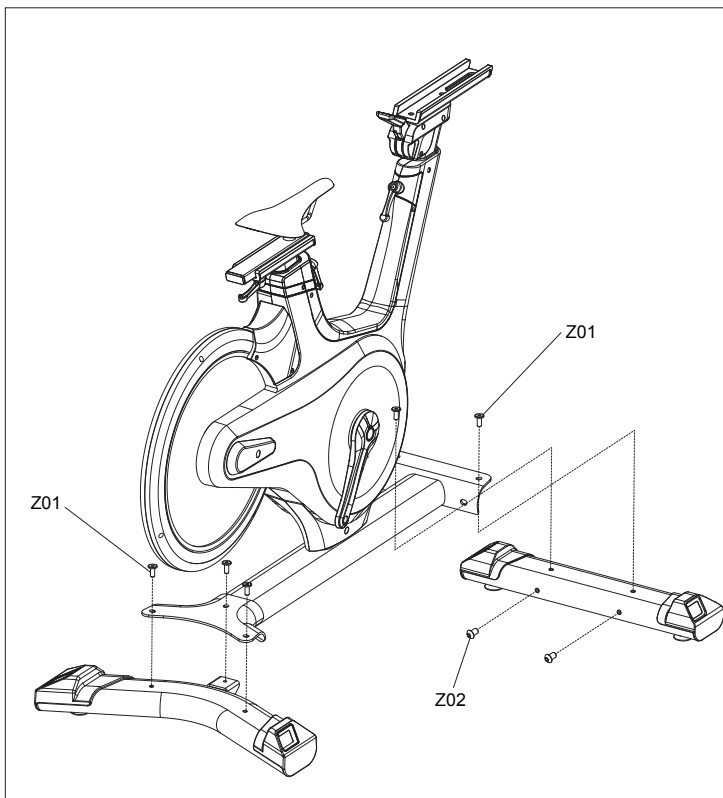


GR7
GR7s

MONTAGE STAP 1



GR7
GR7s



- A Maak de **VOORSTE STABILISATOR** vast aan het **HOOFDFRAME** met behulp van **BOUTEN (2 x Z01 en 2 x Z02)** en draai ze vast met een **INBUSSLEUTEL**.
- B Bevestig de **ACHTERSTE STABILISATOR** aan het **HOOFDFRAME** met behulp van **BOUTEN (3 x Z01)** en maak ze vast met een **INBUSSLEUTEL**.



Z01



Z02

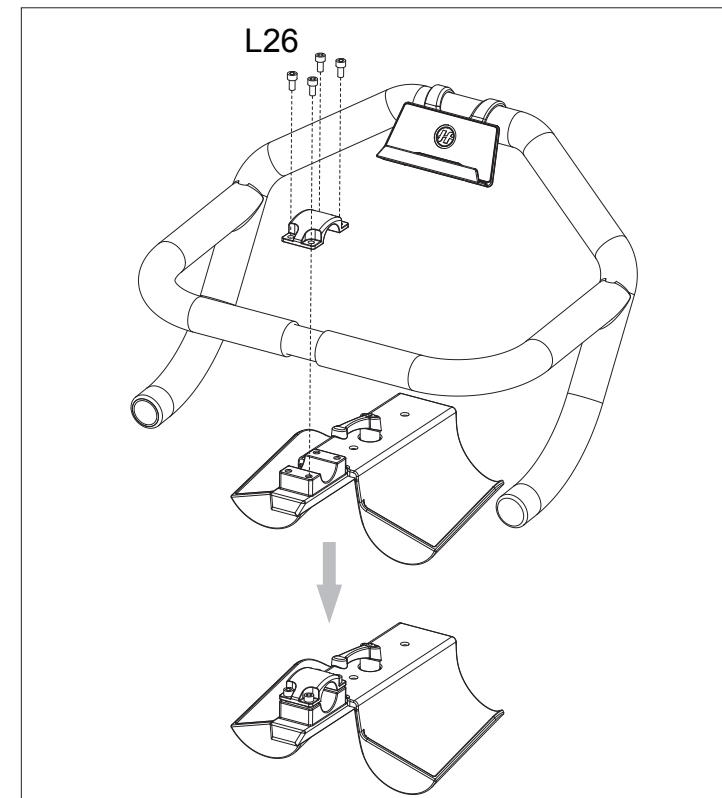
NEDERLANDS

78

MONTAGE STAP 2-1 (voor GR7)



GR7
AFGE-
BEELD



- A Draai de **4 x BOUTEN (L26)** van de **BIDONHOUDER** los.
- B Maak het **STUUR** vast aan de **BIDONHOUDER** met behulp van de **BEVESTIGINGSPLAAT (G03)** en **4 x BOUTEN (L26)** en draai ze vast met een **INBUSSLEUTEL**.



L26

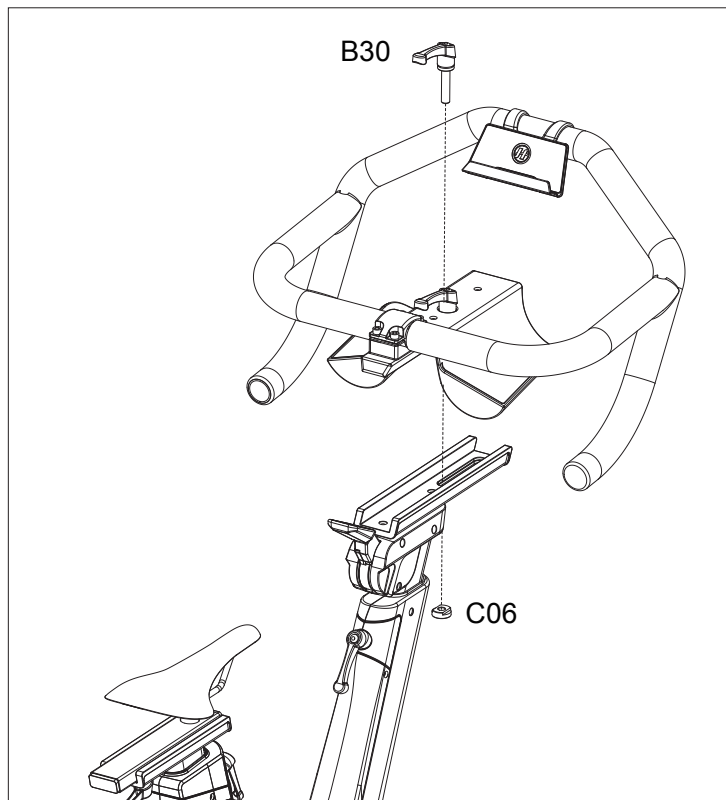
NEDERLANDS

79

MONTAGE STAP 2-2 (voor GR7)



GR7
AFGE-
BEELD



- Draai de **KNOP (B30)** en de **MONTAGEVOET (C06)** los.
- Maak het **STUUR** vast aan de **CONSOLEMAST** met behulp van de **KNOP (B30)** en de **MONTAGEVOET (C06)**.



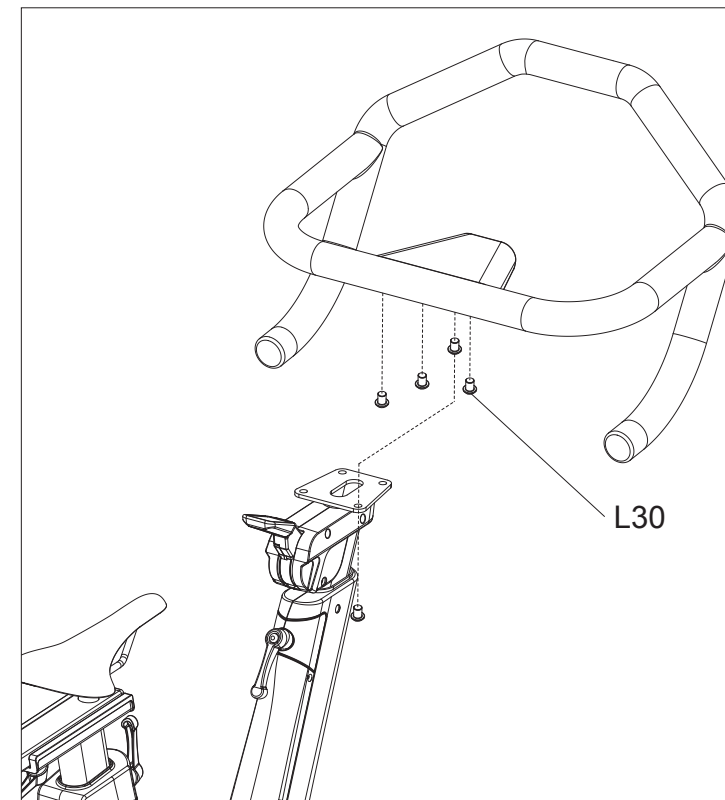
NEDERLANDS

80

MONTAGE STAP 2 (voor GR7s)



GR7s
AFGE-
BEELD



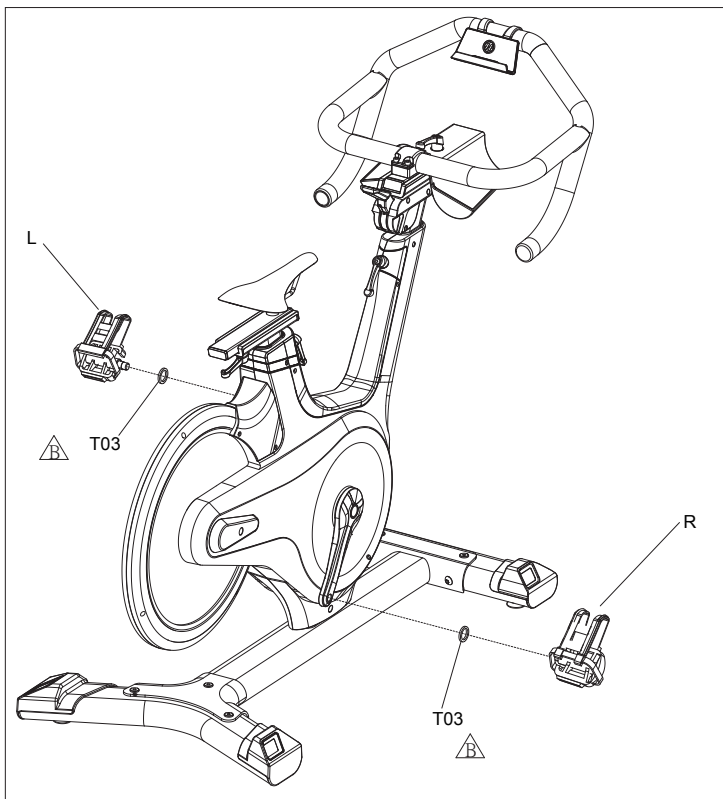
- Draai de **4 x BOUTEN (L30)** aan de onderkant van het **STUUR** los.
- Maak het **STUUR** vast aan de **CONSOLEMAST** met behulp van de **4 x BOUTEN (L30)** en draai ze vast met een **INBUSLEUTEL**.



NEDERLANDS

81

MONTAGE STAP 3 (GR7)



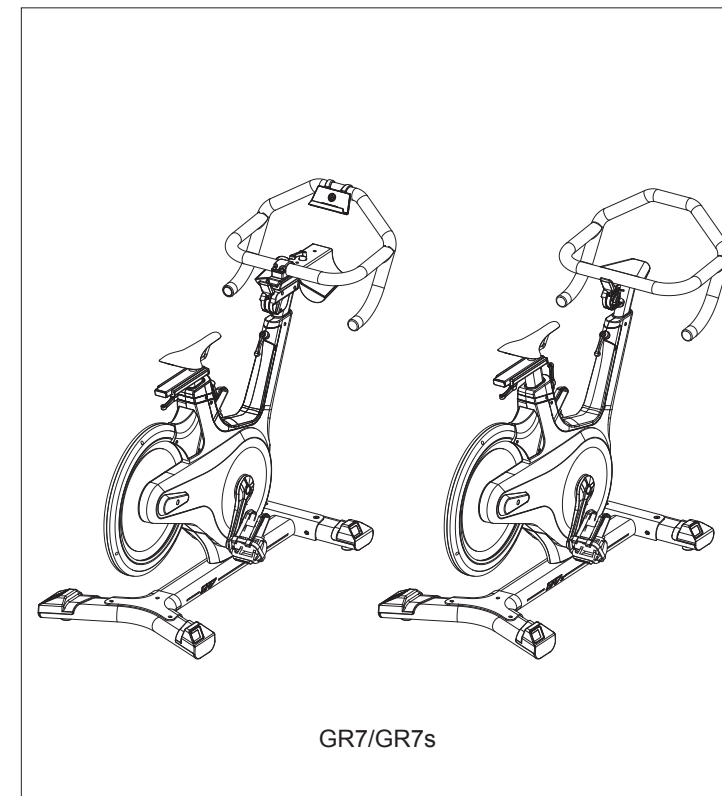
A Maak het **PEDAAL (R)** op de **CRANK** aan de rechterkant los en tussen de **CRANK** en het **pedaal (R)** is een **SLUITRING (T03)** nodig. Draai vervolgens het **PEDAAL (R)** vast met een **MOERSLEUTEL**.

B Herhaal het montageproces aan de linkerkant.



T03

MONTAGE STAP 4



MONTAGE VOLTOOID!

GR7

Afmetingen: 134 x 56,2 x 105,8 cm / 53" x 22" x 42"

Productgewicht: 51 kg / 112 lbs

Max. gewicht gebruiker: 136 kg / 300 lbs

GR7s

Afmetingen: 130,5 x 56,2 x 105,8 cm / 51" x 22" x 38"

Productgewicht: 49 kg / 108 lbs

Max. gewicht gebruiker: 136 kg / 300 lbs



GR7
AFGE-
BEELD

NEDERLANDS

82



GR7
GR7s

NEDERLANDS

83

PROBLEEMOPLOSSING EN ONDERHOUD



NEDERLANDS



VEELGESTELDE PRODUCTVRAGEN

ZIJN DE GELUIDEN DIE MIJN indoorfiets MAAKT NORMAAL?

Onze indoorfietsen zijn één van de stilste trainers op de markt, omdat ze gebruikmaken van riemaandrijvingen en vrijdragende remweerstand. We gebruiken de meest hoogwaardige lagers en kettingen/riemen om geluiden te minimaliseren. Omdat het weerstandssysteem zelf echter zo stil is, zult u af en toe andere, licht mechanische geluiden horen. Bij onze indoorfietsen hebt u geen lawaai van ventilatoren, wrijvingsbanden of wisselstroomdynamo's die deze geluiden maskeren, wat bij oudere, luidruchtigere technologieën wel het geval is. Deze mechanische geluiden, die zich wel of niet met tussenpozen voordoen, zijn normaal en worden veroorzaakt doordat een aanzienlijke hoeveelheid energie naar een snel draaiend vliegwiel wordt overgedragen. Alle lagers, kettingen/riemen en andere ronddraaiende onderdelen veroorzaken enig geluid, dat via de behuizing en het frame wordt doorgegeven. Het is ook normaal dat deze geluiden enigszins veranderen tijdens een training en in de loop van de tijd, door de thermische expansie van de onderdelen.

WAAROM MAAKT DE indoorfiets DIE IK HEB GEKOCHT MEER GELUID DAN DE FIETS IN DE WINKEL?

Alle fitnessproducten lijken stiller in een grote showroom, omdat er meestal meer achtergrondlawaai is dan bij u thuis. Er is ook minder geluidswerkaatsing bij vast tapijt dan bij een houten vloer. Soms helpt een zware, rubberen mat de geluidswerkaatsing te verminderen. Als een fitnessproduct dicht tegen een muur is geplaatst, zal er meer geluid worden weerkaatst.

HOELANG GAAT DE RIEM MEE?

De computermodellen die we hebben uitgevoerd, gaven aan dat ze praktisch duizenden uren zonder onderhoud moeten meegaan. U zou de riem niet hoeven te vervangen zolang u de indoorfiets hebt.

KAN IK DE indoorfiets EENVOUDIG VERPLAATSEN NADAT HIJ IN ELKAAR IS GEZET?

Uw indoorfiets beschikt over een paar transportwielletjes die in de stabilisatorstang aan de voorkant zijn ingebouwd. Raadpleeg het gedeelte De indoorfiets verplaatsen als u uw indoorfiets wilt verplaatsen. Het is belangrijk dat u uw indoorfiets in een comfortabele en uitnodigende kamer plaatst. Uw indoorfiets is ontworpen om zo min mogelijk vloeroppervlak in te nemen. Veel mensen plaatsen hun indoorfiets voor de tv of een venster met een uitzicht. Vermijd indien mogelijk om uw indoorfiets in een onafgewerkte kelder te plaatsen. Om trainingen tot een prettige dagelijkse activiteit te maken, moet de indoorfiets in een comfortabele omgeving staan.

PROBLEEMOPLOSSING

PROBLEEM: De indoorfiets maakt een krakend of piepend geluid.

OPLOSSING: Controleer het volgende:

- De indoorfiets staat op een effen oppervlak.
- Draai alle gemonteerde bouten los, smeer de schroefdraad en draai ze opnieuw vast.

Als dit het probleem niet verhelpt, kunt u
**CONTACT OPNEMEN MET DE DIENST VOOR TECHNISCHE ONDERSTEUNING
VIA HET NUMMER OP DE INFORMATIEKAART.**

Wanneer u ons belt, wordt u mogelijk de volgende informatie gevraagd. Houd deze gegevens bij de hand:

- Modelnaam
- Serienummer
- Aankoopbewijs (kassabon of een creditcardafschrift)

U vindt op onze website meer suggesties voor probleemoplossing in het klantenservicegedeelte. Neem contact op met de klantendienst via de contactgegevens op de INFORMATIEKAART.

Om ervoor te zorgen dat de dienst voor technische ondersteuning onderhoud kan uitvoeren aan uw indoorfiets, kunnen ze gedetailleerde vragen stellen over de symptomen die zich voordoen. Enkele vragen die ze zouden kunnen stellen, zijn:

- Hoelang duurt dit probleem reeds?
- Gebeurt dit elke keer dat u het toestel gebruikt? Bij elke gebruiker?
- Als u een geluid hoort, komt dit dan van de voor- of de achterkant? Wat soort geluid is het (bonkend, knarsend, piepend, krassend, enz.)?
- Is het toestel gesmeerd en onderhouden volgens het onderhoudsschema?

Door deze en andere vragen te beantwoorden, kunnen de technici de juiste vervangende onderdelen naar u sturen en de nodige service bieden, zodat zowel u als uw indoorfiets weer aan het werk kunnen!



ONDERHOUD

De veiligheid van het ontwerp van de indoorfiets kan alleen worden gegarandeerd als de apparatuur regelmatig op schade en slijtage wordt onderzocht. Niet-werkende onderdelen moeten worden vervangen of de apparatuur dient buiten gebruik te worden gesteld totdat ze zijn gerepareerd.

DAGELIJKS

- Neem de indoorfiets af na elk gebruik om zweet en vocht te verwijderen. Gebruik zeep en water of een verdund, niet-schurend schoonmaakmiddel. Spoel de resten van het schoonmaakmiddel af en droog af.
- Controleer vóór elke sessie op losse onderdelen, zoals de pedalen of cranks, voordat u het apparaat weer gebruikt. Draai losse delen vast.

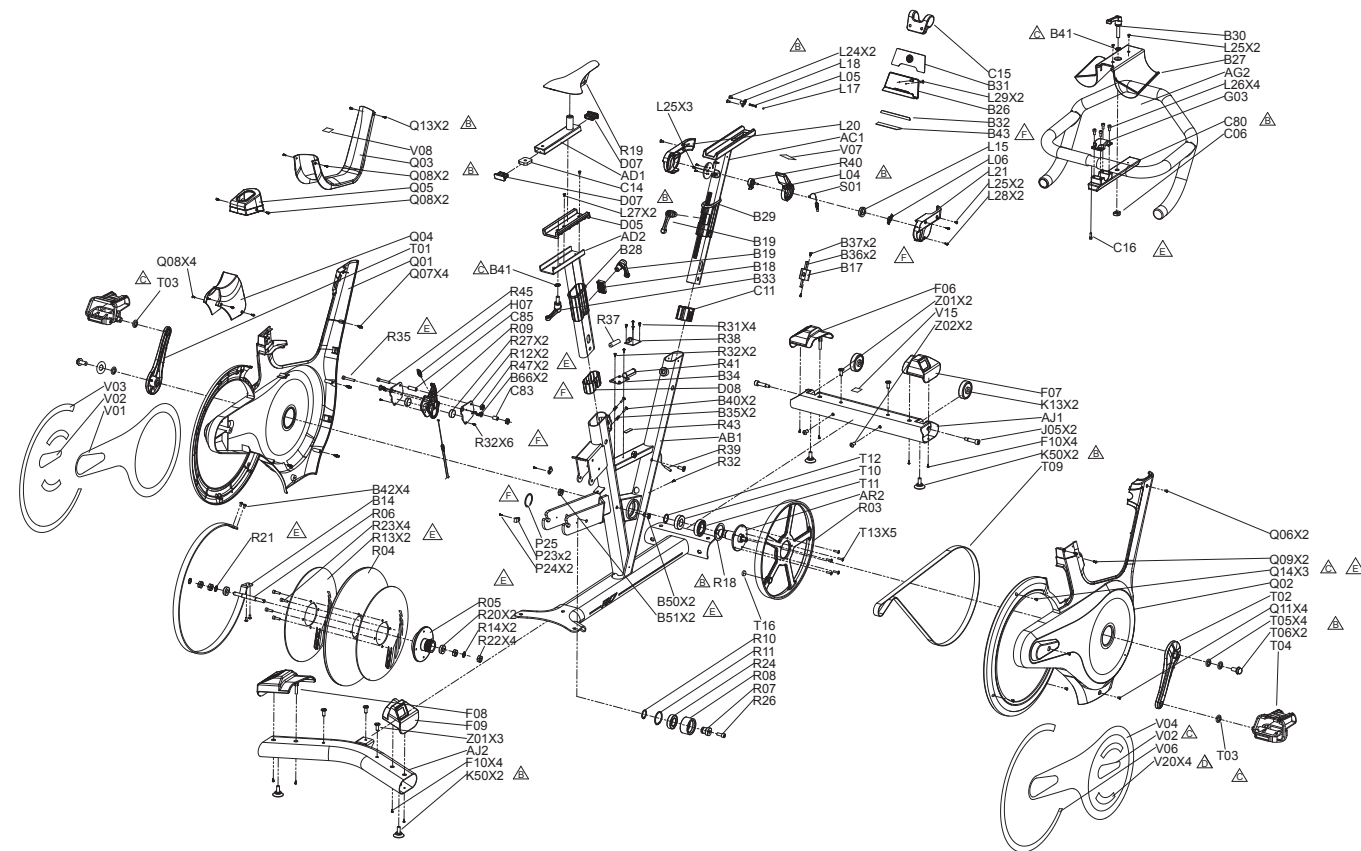
WEKELIJKS

- Controleer of het vliegwiel correct is uitgelijnd. Haal vliegwielmoeren aan indien nodig.
- Verwijder de kettingbescherming en controleer op een losse ketting. Pas de ketting aan en smeer ze indien nodig.
- Controleer of de cranks zijn bevestigd aan de onderste beugel.
- Controleer alle onderdelen, moeren, bouten of schroeven en kijk of ze moeten worden afgesteld, vervangen of onderhouden.

MAANDELIJKS

- Controleer het frame en de hoofdconstructie op roest of corrosie. Kantel de fiets of plaats hem omgekeerd om plekken te vinden waar zich roest en corrosie kan ontwikkelen. Gebruik een kleine staalborstel om roestplekken op moeilijk te bereiken plekken te verwijderen, zoals stelvoeten, hendels van snelspanners en andere boutverbindingen.
- Controleer alle slijtagegevoelige onderdelen en kijk of ze moeten worden aangepast en of er mogelijk onderdelen moeten worden vervangen. Besteed bijzondere aandacht aan het volgende:
 - (A) Controleer het remblok op slijtage. Overtollige slijtage of uitdroging geeft aan dat vervanging nodig is.
 - (B) Controleer het zitkussen op slijtage. Scheuren of overmatige beweging geven aan dat vervanging nodig is.
 - (C) Controleer de pedalen op speling. Te veel beweging van de pedalen geeft aan dat vervanging nodig is.
- Controleer de ketting op spanning door de crank te draaien om het vliegwiel naar voren te draaien. Voer deze beweging uit met een omwenteling van een kwart om te beoordelen of er speling zit tussen de crank en het vliegwiel.
- Droogte of langdurig gebruik kunnen ertoe leiden dat de aanpassingen van de hoogte en reikwijdte van de zitting en het stuur te strak worden. Als dat het geval is, moet de verschuifbare constructie van het frame worden verwijderd en brengt u voor montage licht vet aan op het schuifoppervlak. Breng een beetje vet aan op de klemmen om ervoor te zorgen dat ze niet vastroesten. Verwijder overtollig vet vóór de montage.
- Smeer de zadelpen, het remblok en de stuuraanpassing regelmatig in met smeermiddel uit uw onderdelenpakket.

OPENGEWERKTE TEKENING VAN GR7



ONDERDELENLIJST VAN GR7

NR.	BESCHRIJVING	AANTAL
AB1	FRAMESET	1
B17	BEVESTIGINGSPLAAT, FRAME, LINKS	1
B36	BLADVEER, TORSIE	2
B37	SCHROEF	2
B18	PERSBLOK, FRAME, RECHTS	1
B19	KNOP	2
B14	BEVESTIGINGSPLAAT	1
B29	KAP, FRAME, VOORAAN	1
B28	KAP, FRAME, ACHTERAAN	1
B42	SCHROEF	4
B35	VEER	2
B40	SCHROEF	2
B50	SCHROEF	2
B51	MOER	2
P23	SINGELKLEEFMIDDEL	2
P24	SCHROEF	2
P25	BEWEEGBARE LAGERBUS	0
AC1	CONSOLEMASTSET	1
C06	MONTAGEVOET, KNOP	1
C80	BEVESTIGINGSBLOK	1

NR.	BESCHRIJVING	AANTAL
AG2	STUUR	1
L06	POSITIEHAAK	1
L20	AFDEKKING	1
L21	AFDEKKING	1
S01	STAALKABEL	1
L15	DRAAIAS	1
L24	SCHROEF	2
L25	SCHROEF	7
L26	SCHROEF	4
L28	SCHROEF	2
L29	SCHROEF	2
B26	MP3-HOUDER	1
G03	BEVESTIGINGSPLAAT	1
C11	KAP	1
B27	DRINKBUSHOUDER	1
L05	VEER	1
L18	VEERPEN	1
L17	STALEN KOGEL	1
B30	KNOP	1
B31	SCHUIMKUSSEN	1

NR.	BESCHRIJVING	AANTAL
B32	SCHUIMKUSSEN	1
C15	GESPSLUITINGSET	1
L04	STUUR	1
L27	SCHROEF	2
B41	SLUITRING	2
C16	SCHROEF	1
B43	SCHUIMKUSSEN	1
AJ1	STABILISATORSET	1
J05	SCHROEF	2
AJ2	STABILISATORSET	1
K50	VOETSTEUN	4
K13	TRANSPORTWIELEN	2
F06	KAP, RECHTS VOORAAN	1
F07	KAP, LINKS VOORAAN	1
F08	KAP, LINKS ACHTERAAN	1
F09	KAP, RECHTS ACHTERAAN	1
F10	SCHROEF	8
AD1	ZADELHOESSET	1
AD2	AFSTELBARE ZITKUSSENSET	1
D05	GELEIDEBLOK	1

NR.	BESCHRIJVING	AANTAL
R19	ZITKUSSEN	1
D08	KAP, BENEDEN	1
C14	AANSLUITPLAAT	1
B33	KNOP	1
D07	KAP, BOVEN	2
R18	VULPLAATJE	1
R03	SCHIJF	1
T16	MAGNEET	1
T09	RIEM; POLY-V	1
T04	PEDAALSET, L/R	1
T10	LAGER	1
T11	LAGER	1
T12	BORGRING	1
T01	CRANK, L	1
T02	CRANK, R	1
R13	BEVESTIGINGSPLAAT	2
R04	SCHIJF	1
R05	BEVESTIGINGSSCHIJF	1
R06	HOOFDAS	1
R20	LAGER	2



ONDERDELENLIJST VAN GR7

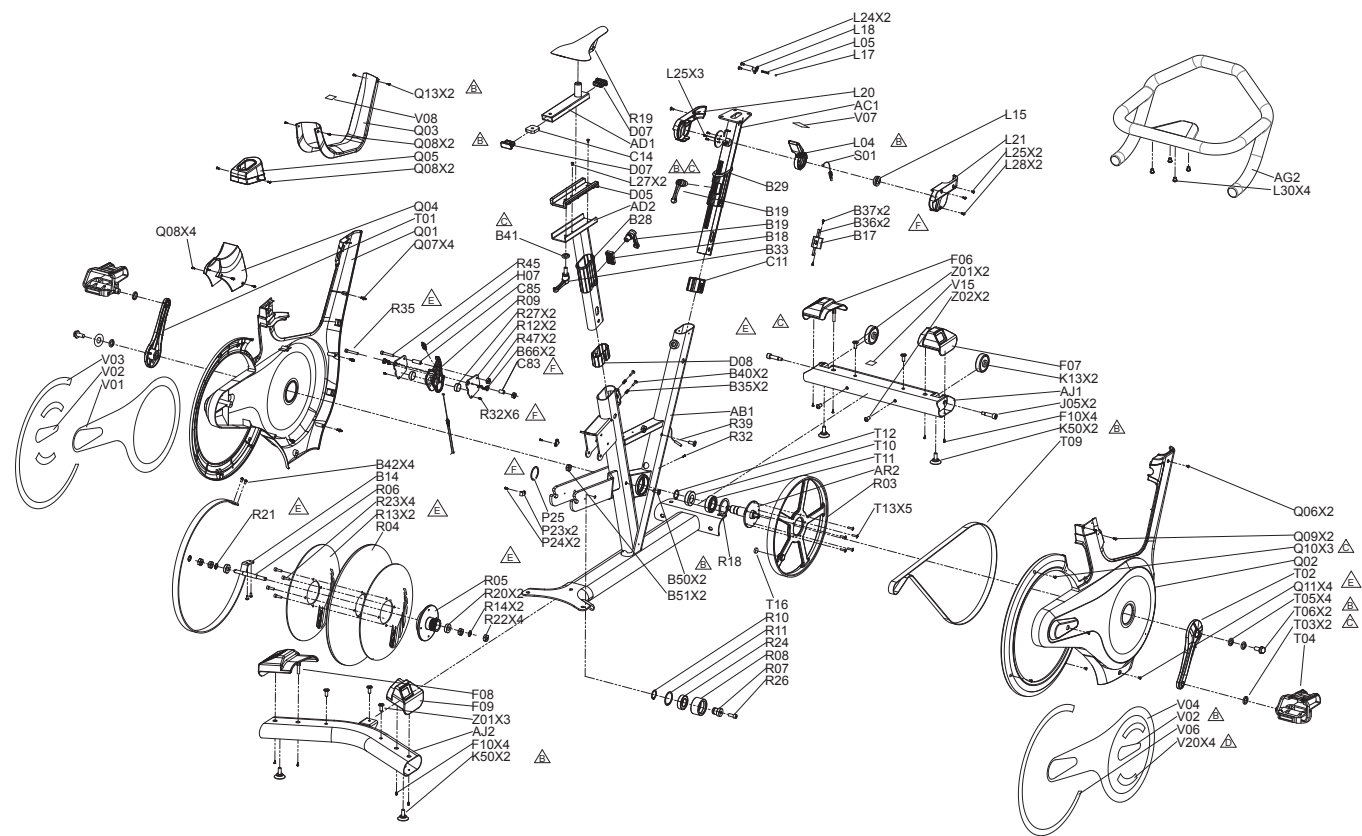
NR.	BESCHRIJVING	AANTAL
R21	SLUITRING	1
R22	MOER	4
R23	SCHROEF	4
R14	SLUITRING	2
R07	AS	1
R08	SPANROL	1
R24	LAGER	1
R26	SCHROEF	1
R10	BORGRING, C-VORMIG	1
R11	BORGRING, C-VORMIG	1
T06	SCHROEVENSET	2
T05	SLUITRING	4
AR2	HOOFDAS PEDAAL	1
T13	SCHROEF	5
R09	PLASTIC REK	1
R12	BEVESTIGINGSPLAAT	1
R27	KRACHTIGE MAGNEET	2
B66	PLASTIC VOERING	2
R45	SCHROEF	1
R47	MOER	2

NR.	BESCHRIJVING	AANTAL
H07	VEER	1
R37	ACCU	1
R38	LCB	1
R39	SNELHEIDSSENSORKABEL	1
R41	ACCUBASIS	1
R40	MODULE, VARIABELE WEERSTANDSGROEP (VR)	1
B34	MONTAGEVOET	1
R43	TAPE, SCHUIM, TWEEZIJDIG	1
R31	SCHROEF	4
R33	SCHROEF	4
R32	SCHROEF	3
C83	POSITIEAS	1
R35	SCHROEF	1
C85	POSITIEAS	1
Q01	ZIJAFDEKKING, LINKS	1
Q02	ZIJAFDEKKING, RECHTS	1
Q03	AFDEKKING, VOORAAN	1
Q04	AFDEKKING, ACHTERAAN	1
Q05	AFDEKKING, BOVENAAN	1
Q07	BEVESTIGINGSSTANG	4

NR.	BESCHRIJVING	AANTAL
Q08	SCHROEF	8
Q09	SCHROEF	2
Q06	SCHROEF	2
Q11	SCHROEF	4
Q13	SCHROEF	2
V01	STICKER, ZIJAFDEKKING, LINKSBOVEN	1
V02	STICKER, ZIJAFDEKKING, LINKSONDER	2
V03	STICKER, ZIJAFDEKKING, LINKSACHTER	1
V04	STICKER, ZIJAFDEKKING, RECHTSBOVEN	1
V06	STICKER, ZIJAFDEKKING, RECHTSACHTER	1
V07	STICKER, STUUR, BOVEN	1
V08	WAARSCHUWINGSLABEL, BOVEN	1
V15	LABEL EN	1
V20	STICKER, ZIJAFDEKKING, MIDDEN	4
Z01	SCHROEF	5
Z03	MOERSLEUTEL	1
Z02	SCHROEF	2
Z04	MOERSLEUTEL	1
T03	VULPLAATJE	2



OPENGEWERKTE TEKENING VAN GR7S



ONDERDELENLIJST VAN GR7S

NR.	BESCHRIJVING	AANTAL
AB1	FRAMESET	1
B17	BEVESTIGINGSPLAAT	1
B36	BLADVEER	2
B37	SCHROEF	2
B18	PERSBLOK	1
B19	KNOP	2
B29	KAP, VOORAAN	1
B28	KAP, ACHTERAAN	1
B42	SCHROEF	4
B35	VEER	2
B40	SCHROEF	2
B50	SCHROEF	2
B51	MOER	2
P23	SINGELKLEEFMIDDEL	2
P24	SCHROEF	2
P25	BEWEEGBARE LAGERBUS	0
S01	STAALKABEL	1
AC1	CONSOLEMASTSET	1
AG2	STUUR	1
L20	AFDEKKING, STUUR, LINKS	1

NR.	BESCHRIJVING	AANTAL
L21	AFDEKKING, STUUR, RECHTS	1
L15	DRAAIAS	1
L28	SCHROEF	2
L25	SCHROEF	5
L05	VEER	1
L18	VEERPEN	1
L17	STALEN KOGEL	1
L30	SCHROEF	4
L24	SCHROEF	2
C11	KAP, CONSOLEMAST, ONDERAAN	1
L04	STUUR	1
L27	SCHROEF	2
C16	SCHROEF	1
AJ1	STABILISATORSET	1
J05	SCHROEF	2
AJ2	STABILISATORSET, ACHTERAAN	1
K50	VOETSTEUN	4
K13	TRANSPORTWIELEN	2
F06	KAP, RECHTS VOORAAN	1
F07	KAP, LINKS VOORAAN	1



ONDERDELENLIJST VAN GR7S

NR.	BESCHRIJVING	AANTAL
F08	KAP, LINKS ACHTERAAN	1
F09	KAP, RECHTS ACHTERAAN	1
F10	SCHROEF	8
AD1	ZADELHOESSET	1
AD2	AFSTELBARE ZITKUSSENSET	1
D05	GELEIDEBLOK	1
R19	ZITKUSSEN	1
D08	KAP, BENEDEN	1
C14	AANSLUITPLAAT	1
B33	KNOP	1
D07	KAP, ZITKUSSEN, BOVENAAN	2
B41	SLUITRING	1
T16	MAGNEET	1
R03	SCHIJF	1
T09	RIEM; POLY-V	1
T04	PEDAALSET	1
T10	LAGER	1
T11	LAGER	1
T12	BORGRING	1
T13	SCHROEF	5

NR.	BESCHRIJVING	AANTAL
R13	BEVESTIGINGSPLAAT	2
R04	SCHIJF	1
R05	BEVESTIGINGSSCHIJF	1
R06	HOOFDAS	1
R20	LAGER	2
R21	SLUITRING	1
R22	MOER	4
R23	SCHROEF	4
R14	SLUITRING	2
R07	AS, SPANROL	1
R08	SPANROL	1
R24	LAGER	1
R26	SCHROEF	1
R10	BORGRING	1
R11	BORGRING	1
T01	CRANK, L	1
T02	CRANK, R	1
T06	SCHROEVENSET	2
T05	SLUITRING	4
R18	VULPLAATJE	1

NR.	BESCHRIJVING	AANTAL
AR2	HOOFDAS PEDAAL-EXTRAWORK	1
B66	PLASTIC VOERING	2
H07	VEER	1
R39	SNELHEIDSSENSORKABEL	1
R31	SCHROEF	4
R32	SCHROEF	7
R09	PLASTIC REK	1
R12	BEVESTIGINGSPLAAT	1
C85	POSITIEAS	1
C83	POSITIEAS	1
R45	SCHROEF	1
R35	SCHROEF	1
R47	MOER	2
R27	KRACHTIGE MAGNEET	2
Q01	ZIJAFDEKKING, LINKS	1
Q02	AFDEKKING, RECHTS	1
Q03	AFDEKKING, VOORAAN	1
Q04	AFDEKKING, ACHTERAAN	1
Q05	AFDEKKING, BOVENAAN	1
Q08	SCHROEF	8

NR.	BESCHRIJVING	AANTAL
Q09	SCHROEF	2
Q07	BEVESTIGINGSSTANG	4
Q06	SCHROEF	2
Q11	SCHROEF	4
Q13	SCHROEF	2
Q10	SCHROEF	3
V07	STICKER, STUUR, BOVEN	1
V01	STICKER, ZIJAFDEKKING, LINKSBOVEN	1
V02	STICKER, ZIJAFDEKKING, LINKSONDER	2
V03	STICKER, ZIJAFDEKKING, LINKSACHTER	1
V04	STICKER, ZIJAFDEKKING, RECHTSBOVEN	1
V06	STICKER, ZIJAFDEKKING, RECHTSACHTER	1
V08	WAARSCHUWINGSLABEL, BOVEN	1
V15	LABEL EN	1
V20	STICKER, ZIJAFDEKKING, MIDDEN	4
Z01	SCHROEF	5
Z03	MOERSLEUTEL	1
Z02	SCHROEF	2
Z04	MOERSLEUTEL	1
T03	VULPLAATJE	2



FONCTIONNEMENT DU VÉLO D'APPARTEMENT



FRANÇAIS

GR7
GR7s

INSTRUCTIONS DE SÉCURITÉ IMPORTANTES - VEUILLEZ CONSERVER CES INSTRUCTIONS VEUILLEZ LIRE TOUTES LES INSTRUCTIONS AVANT D'UTILISER CET APPAREIL D'EXERCICE.

- Les enfants doivent toujours être tenus à distance de votre vélo.
- Lorsque vous utilisez votre vélo, les jeunes enfants et les animaux doivent se trouver à une distance minimale de 3 mètres (10 pi).
- Utilisez votre vélo uniquement dans le cadre de l'utilisation prévue par ce guide d'utilisation.
- N'approchez pas vos mains des pièces mobiles. Ne tournez jamais les manivelles de pédalier à la main.
- Ne retirez pas vos pieds des pédales lorsqu'elles sont en mouvement.
- Après l'entraînement, abaissez le bouton de tension ou tournez-le dans le sens des aiguilles d'une montre pour ralentir la roue d'inertie et réduire ainsi le risque de vous blesser.
- Ne descendez pas du vélo avant que les deux pédales et la roue d'inertie ne soient complètement immobiles.
- N'essayez pas d'utiliser le vélo à grande vitesse ou en danseuse avant de vous sentir parfaitement à l'aise à de plus faibles vitesses.
- Avant de vous mettre en danseuse, tournez le bouton de tension dans le sens des aiguilles d'une montre pour accroître la résistance de la roue d'inertie.
- N'insérez ni ne faites tomber d'objet dans quelconque orifice de ce vélo.
- N'utilisez pas ce vélo sans porter des vêtements de sport adaptés.
- Faites tourner le bouton de tension dans le sens des aiguilles d'une montre pour verrouiller la roue d'inertie lorsqu'elle n'est pas utilisée.

Pour veiller à ce que le niveau de sécurité de ce vélo soit toujours maintenu, examinez régulièrement ses éléments pour déceler d'éventuels signes d'usure. Les éléments qui présentent des signes d'usure trop importants ou qui ne peuvent pas être réparés devront être remplacés immédiatement. Le vélo ne devra pas être utilisé avant la fin de ces réparations.



ATTENTION !

En cas d'apparition de douleurs thoraciques, de nausées, de vertiges ou de difficultés respiratoires, arrêtez immédiatement la séance et consultez votre médecin avant de reprendre les exercices.

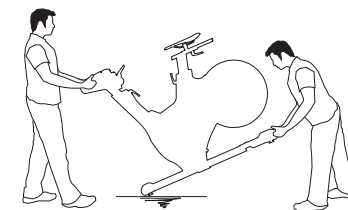
Ce produit est destiné uniquement à une utilisation domestique en intérieur et n'est pas recommandé pour être utilisé dans un environnement commercial.

COMMENT DÉPLACER LE VÉLO D'APPARTEMENT

En raison du poids du vélo d'appartement, nous recommandons d'être au moins deux pour le déplacer. Pendant qu'une personne soulève l'arrière du vélo d'appartement, la deuxième tient fermement le guidon et bascule le vélo d'appartement vers l'avant jusqu'à ce qu'il roule à l'aide des roulettes. Déplacez le vélo d'appartement avec précaution jusqu'à l'emplacement voulu, puis baissez-le délicatement.

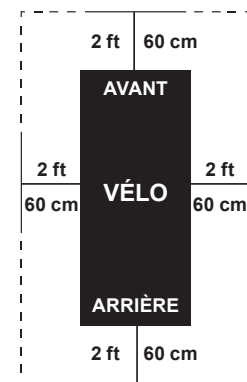
Si le vélo d'appartement est instable une fois installé, tournez les pieds de mise à niveau sous le stabilisateur avant ou arrière jusqu'à ce que le mouvement de bascule disparaisse.

Tenez fermement les poignées, penchez le vélo légèrement vers vous, puis faites-le rouler à l'aide des roulettes de transport.



EMPLACEMENT DU VÉLO D'APPARTEMENT

Installez votre vélo d'appartement sur une surface plane. Une distance de 60 cm doit être respectée autour du vélo d'appartement. Ne placez pas le vélo de façon à bloquer la circulation d'air ou les grilles d'aération. Le vélo d'appartement ne doit pas être placé dans un garage, une véranda, près d'une source d'eau ni à l'extérieur.

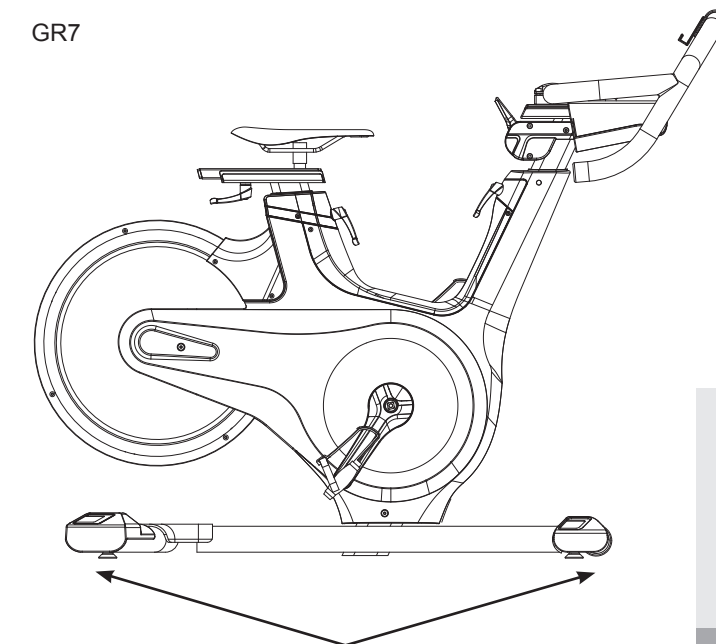


⚠ AVERTISSEMENT

Afin d'écartier tout risque de blessure, faites très attention lorsque vous déplacez le vélo d'appartement. N'essayez pas de le déplacer sur des surfaces irrégulières et assurez-vous de garder une distance de sécurité de 50 cm (minimum) entre le vélo et l'équipement le plus proche.

GR7
GR7s

GR7



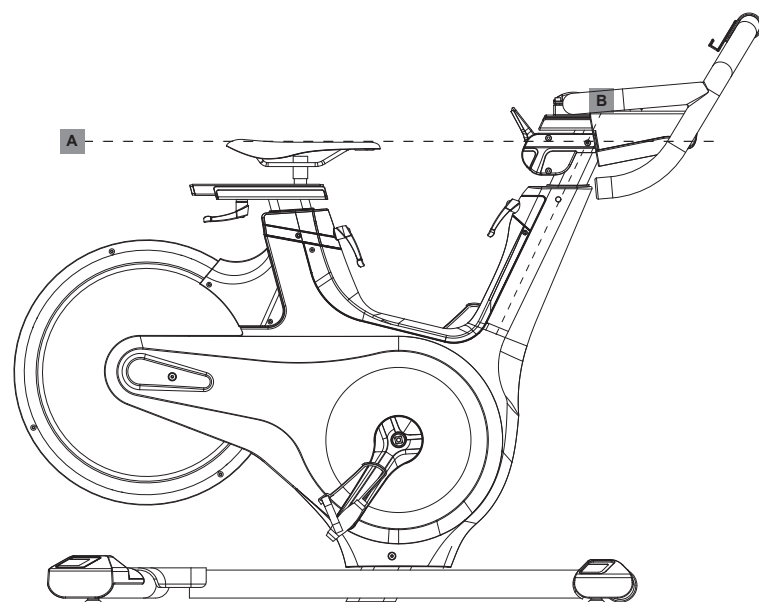
Pieds de réglage de niveau

COMMENT RÉGLER LE VÉLO D'APPARTEMENT

Le vélo d'appartement peut être réglé pour un confort optimal et un entraînement efficace. Les instructions ci-dessous décrivent une méthode de réglage du vélo d'appartement afin d'optimiser le confort de l'utilisateur et le positionnement du corps idéal ; vous pouvez choisir de régler le vélo d'appartement différemment.



GR7
GR7s

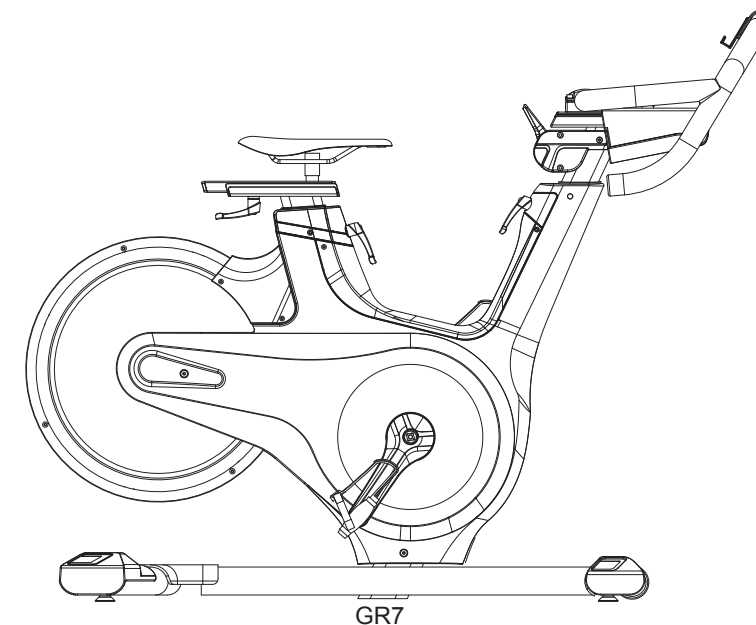


RÉGLAGE DE LA SELLE

Une hauteur de selle correcte garantit un entraînement d'une efficacité et d'un confort optimal, tout en réduisant le risque de blessure. Ajustez la hauteur de la selle afin de vous assurer qu'elle soit dans une position appropriée, une position qui vous permet de garder les genoux légèrement fléchis lorsque votre jambe est étendue.

RÉGLAGE DU GUIDON

La position appropriée du guidon se base principalement sur le confort. Pour les cyclistes débutants, le guidon est généralement positionné légèrement plus haut que la selle. Les cyclistes avancés peuvent essayer différentes hauteurs pour obtenir la position la plus appropriée.



POUR RÉGLER LA HAUTEUR DE LA SELLE :

Faites tourner le levier de réglage vers la gauche et ajustez la selle dans une position de pédalage confortable. Faites tourner le levier vers la droite pour verrouiller la position de la selle.

POUR RÉGLER LA POSITION HORIZONTALE DE LA SELLE :

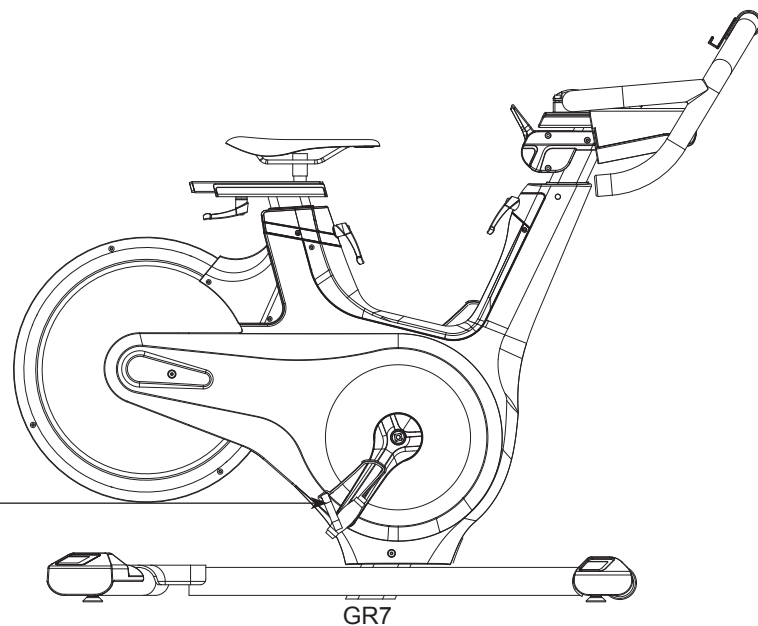
Faites tourner le levier de réglage vers la gauche pour faire glisser la selle en avant ou en arrière comme vous le souhaitez. Faites tourner le levier vers la droite pour verrouiller la position de la selle. Vérifiez que le support de selle fonctionne correctement.



GR7
GR7s



GR7
GR7s



Les sangles des pédales doivent être ajustées afin de maintenir fermement le pied sur la pédale.

GR7

POUR RÉGLER LA HAUTEUR DU GUIDON :

Faites tourner le levier de réglage vers la gauche pour régler la hauteur du guidon. Levez ou abaissez le guidon à la hauteur désirée. Faites tourner le levier vers la droite pour verrouiller la position du guidon.

POUR RÉGLER LES SANGLES DES PÉDALES :

Placez vos chevilles sur la pédale et dans les cale-pieds et assurez-vous que vos chevilles sont centrées au-dessus de l'axe du pédalier (au centre de la pédale). Faites tourner un pied afin qu'il soit à portée de main et tirez sur la sangle du cale-pied. Répétez l'opération pour l'autre pédale. Gardez les genoux alignés avec vos pieds pendant que vous pédalez. Pour retirer le pied du cale-pied, desserrez la sangle et sortez votre pied.

CONTRÔLE DE LA RÉSISTANCE ET FREIN D'URGENCE

Votre niveau de difficulté préféré (résistance) peut être réglé par petits incréments à l'aide du levier de contrôle de la résistance. Pour augmenter la résistance, appuyez sur le levier de contrôle de la résistance. Pour diminuer la résistance, tirez le levier.

IMPORTANT :

- Pour arrêter la roue d'inertie lorsque vous pédalez, appuyez à fond sur le levier de contrôle de la résistance.
- La roue d'inertie doit totalement s'arrêter rapidement.
- Assurez-vous que vos chaussures sont fixées dans le cale-pied.
- Appliquez une résistance totale lorsque le vélo n'est pas utilisé pour éviter les blessures dues au déplacement des composants du pignon d'entraînement.

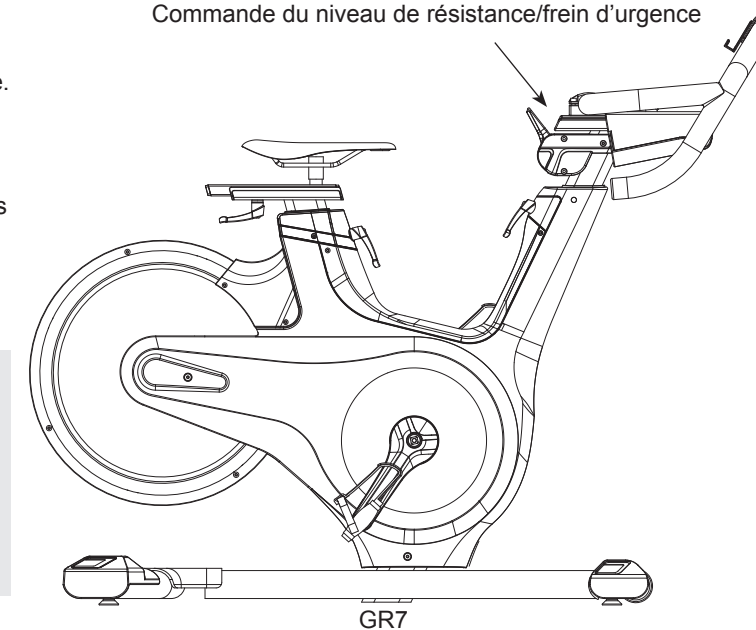
⚠ AVERTISSEMENT

Le vélo d'appartement ne possède pas de roue d'inertie libre ; les pédales continueront de bouger selon le mouvement de la roue d'inertie jusqu'à l'arrêt de cette dernière. La réduction de la vitesse de manière contrôlée est nécessaire. Pour arrêter immédiatement la roue d'inertie, appuyez à fond sur le levier de contrôle de la résistance. Pédalez toujours de manière contrôlée et ajustez votre cadence en fonction de vos propres capacités. Appuyer à fond sur le levier de contrôle de la résistance = arrêt d'urgence.

⚠ AVERTISSEMENT

Le vélo d'appartement intègre une roue d'inertie fixe qui donne de l'élan et qui continue de faire tourner les pédales, même après que l'utilisateur a cessé de pédaler ou si ses pieds ont quitté les pédales. **N'ESSAYEZ PAS DE RETIRER VOS PIEDS DES PÉDALES OU DE DESCENDRE DE L'APPAREIL AVANT QUE LES DEUX PÉDALES ET LA ROUE D'INERTIE NE SOIENT COMPLÈTEMENT IMMOBILES.** Le non-respect de ces instructions peut entraîner une perte de contrôle et un risque de blessures graves.

Commande du niveau de résistance/frein d'urgence



GR7



GR7
GR7s



GR7
GR7s

106

MONTAGE



⚠ Avertissement

Au cours du montage, plusieurs étapes nécessiteront une attention toute particulière. Il est très important de suivre correctement les instructions de montage et de vous assurer que toutes les pièces sont fermement fixées. En cas de non-respect des instructions de montage, le vélo d'appartement pourra comporter des pièces mal fixées, ne paraîtra pas stable et pourra également être à l'origine de bruits dérangeants. Pour éviter d'endommager le vélo d'appartement, relisez les instructions de montage et prenez les mesures correctives qui s'imposent.

Avant de commencer, cherchez le numéro de série qui se trouve à l'avant du cadre de votre vélo et notez-le dans la case ci-dessous.

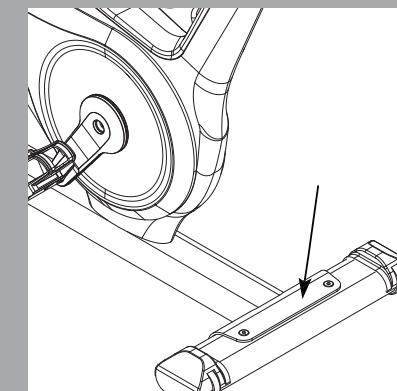
INSCRIVEZ LE NUMÉRO DE SÉRIE DANS LA CASE CI-DESSOUS :

NUMÉRO DE SÉRIE :

--	--	--	--	--	--	--	--	--	--	--	--	--	--	--	--	--	--	--

NOM DU MODÈLE : **HORIZON** **VÉLO D'APPARTEMENT**

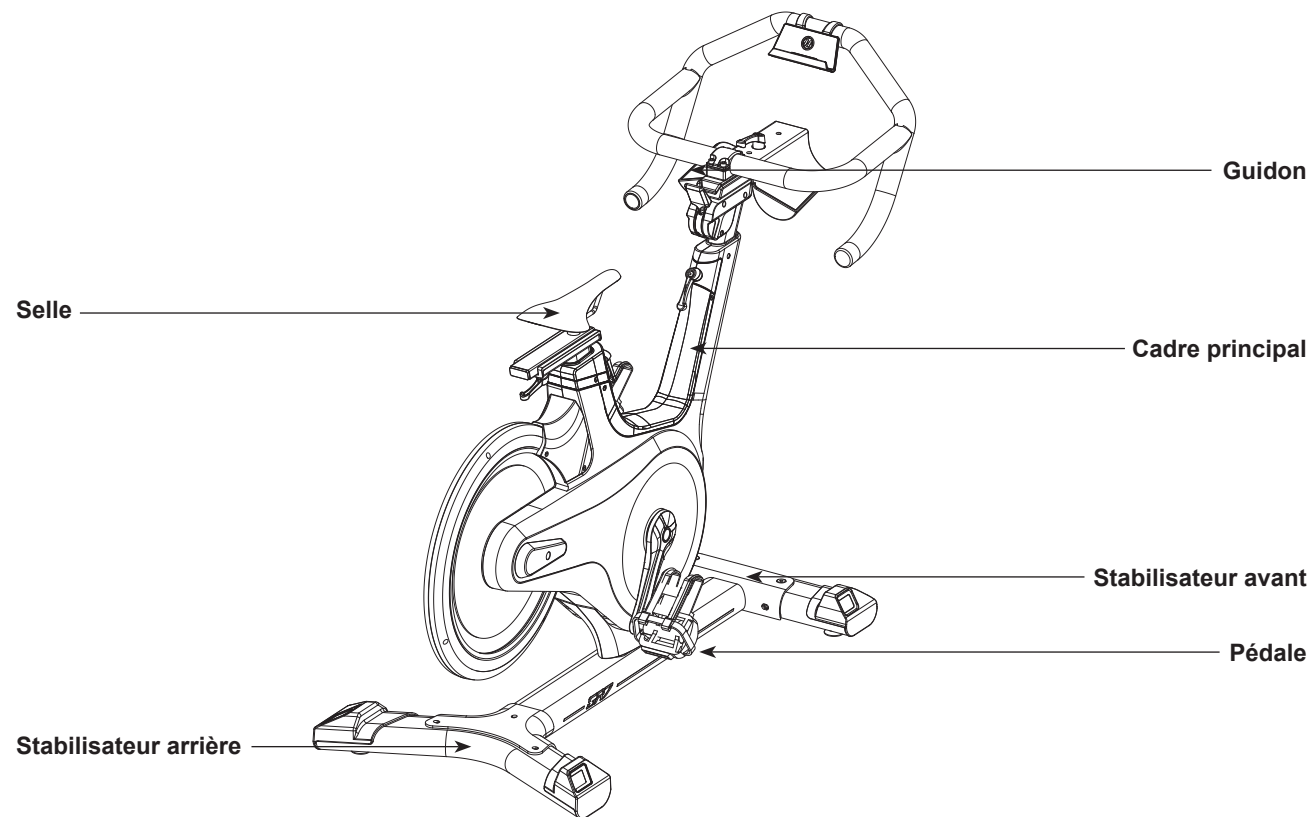
- » Reportez-vous au NUMÉRO DE SÉRIE et au NOM DU MODÈLE lorsque vous appelez l'assistance.
- » N'oubliez pas d'inscrire le NUMÉRO DE SÉRIE et le NOM DU MODÈLE sur votre carte de garantie.



INFORMATIONS DU MODÈLE



GR7
VUE D'EN-
SEMBLE



FRANÇAIS

108

LES PARTIES PRINCIPALES COMPRENENT :

- Cadre principal
- Stabilisateur avant et arrière
- Guidon
- Selle
- Pédales

AVANT LE MONTAGE

DÉBALLAGE

En raison du poids du vélo d'appartement, **nous recommandons d'être au moins deux pour le montage**. Installez le vélo d'appartement dans un endroit dégagé et sortez toutes les pièces de l'emballage ; ne jetez pas les produits d'emballage avant d'avoir terminé le montage.

REMARQUE : À chaque étape du montage, assurez-vous que TOUS les écrous et les boulons sont bien mis en place et qu'ils sont partiellement serrés avant de serrer à fond UN SEUL boulon.

REMARQUE : Vous pouvez appliquer une légère couche de graisse pour une installation plus facile de l'appareil. Tout type de graisse, telle que de la graisse au lithium, est conseillé.

BESOIN D'AIDE ?

Pour toute question ou si une pièce est manquante, contactez votre revendeur local. Les coordonnées de l'assistance technique se trouvent au dos de ce guide ou sur la carte de garantie.



GR7
GR7s

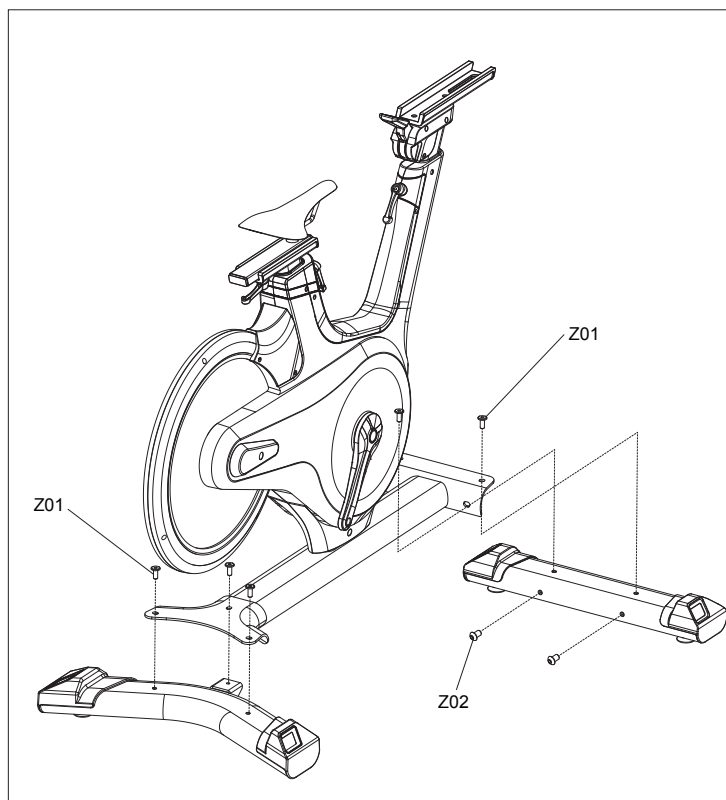
FRANÇAIS

109

ÉTAPE DE MONTAGE 1



GR7
GR7s



- A Fixez le **STABILISATEUR AVANT** sur le **CADRE PRINCIPAL** à l'aide des **BOULONS (2 x Z01 et 2 x Z02)** et serrez à l'aide d'une **CLÉ ALLEN**.
- B Fixez le **STABILISATEUR ARRIÈRE** sur le **CADRE PRINCIPAL** à l'aide des **BOULONS (3 x Z01)** et serrez à l'aide d'une **CLÉ ALLEN**.



Z01



Z02

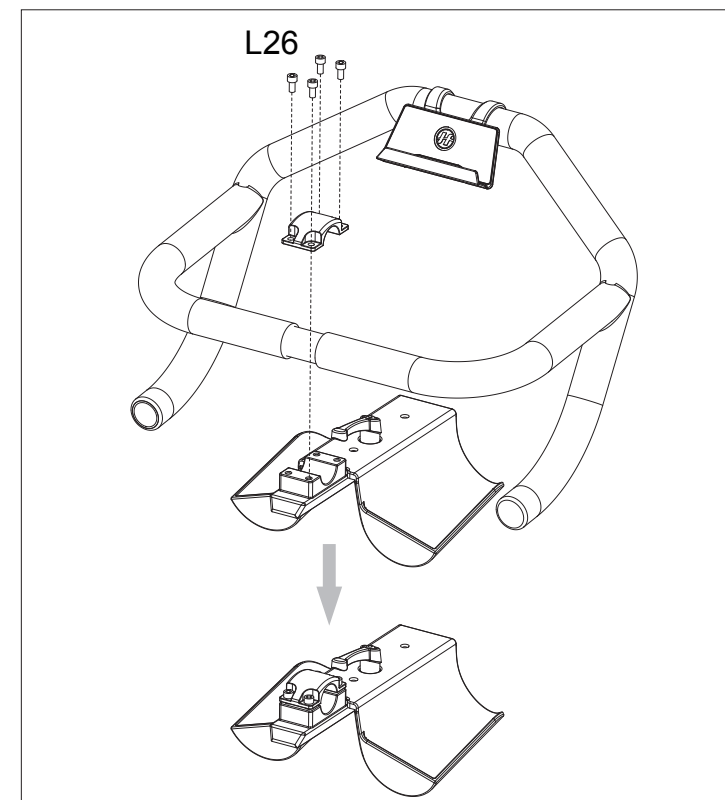
FRANÇAIS

110

ÉTAPE DE MONTAGE 2-1 (pour GR7)



GR7
VUE D'EN-SEMBLE



- A Retirez les 4 x **BOULONS (L26)** du **PORTE-BOUEILLE**.
- B Fixez le **GUIDON** sur le **PORTE-BOUEILLE** à l'aide de la **PLAQUE DE SERRAGE (G03)** et des 4 x **BOULONS (L26)** et serrez à l'aide d'une **CLÉ ALLEN**.



L26

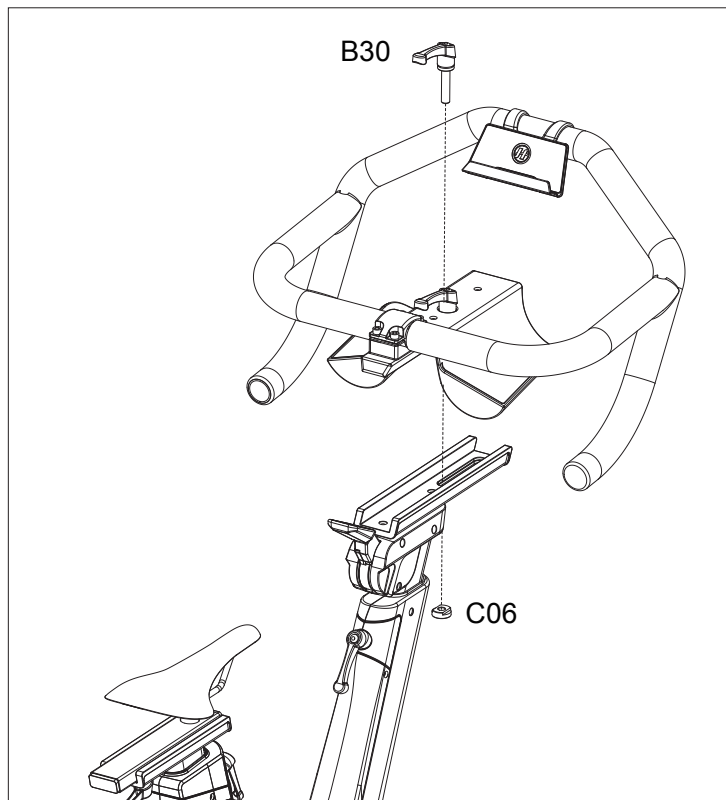
FRANÇAIS

111

ÉTAPE DE MONTAGE 2-2 (pour GR7)



GR7
VUE D'EN-SEMBLE



- A Retirez le **BOUTON (B30)** et le **SOCLE DE FIXATION (C06)**.
- B Fixez le **GUIDON** sur le **MONTANT DE LA CONSOLE** à l'aide du **BOUTON (B30)** et du **SOCLE DE FIXATION (C06)**.



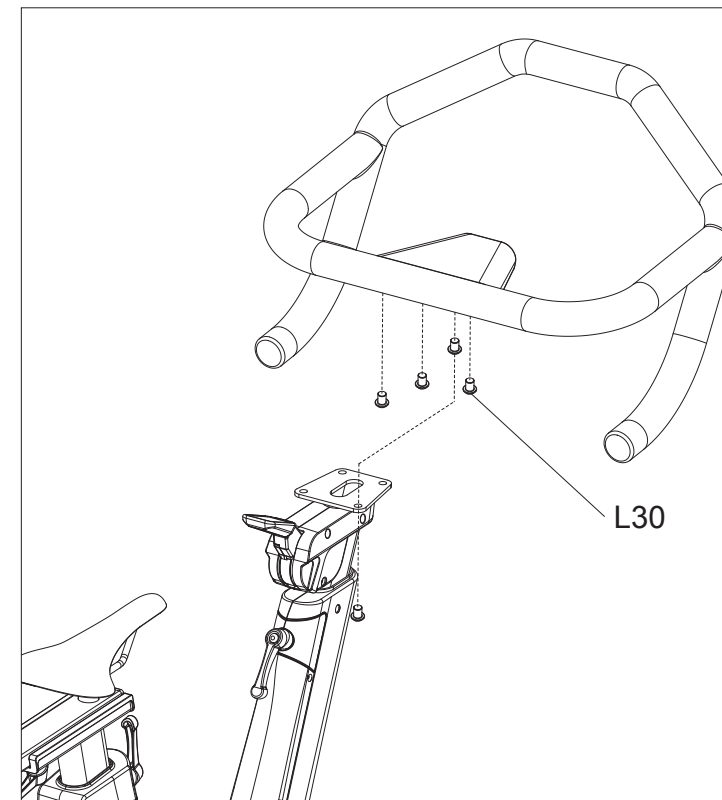
FRANÇAIS

112

ÉTAPE DE MONTAGE 2 (pour GR7s)



GR7
VUE D'EN-SEMBLE



- A Retirez les **4 x BOULONS (L30)** de la partie inférieure du **GUIDON**.
- B Fixez le **GUIDON** sur le **MONTANT DE CONSOLE** à l'aide des **4 x BOULONS (L30)** et serrez à l'aide d'une **CLÉ ALLEN**.



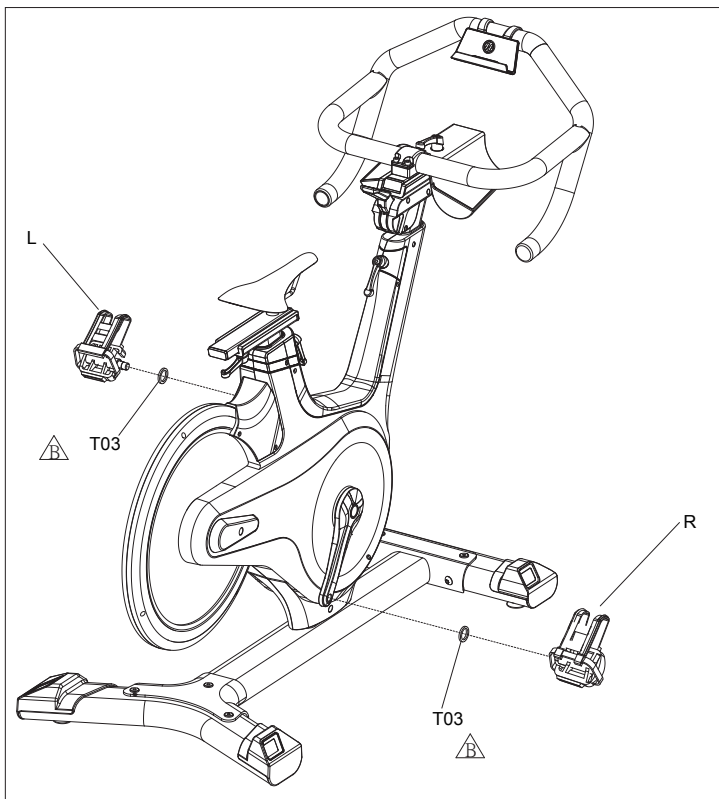
FRANÇAIS

113

ÉTAPE DE MONTAGE 3 (GR7)



GR7
VUE D'EN-SEMBLE



- A Retirez la **PÉDALE (R)** du **PÉDALIER** du côté droit, entre le **PÉDALIER** et la **PÉDALE (R)**, la **RONDELLE (T03)** est nécessaire. Puis serrez la **PÉDALE (R)** à l'aide de la **CLÉ**.
- B Répétez la procédure de montage du côté gauche.



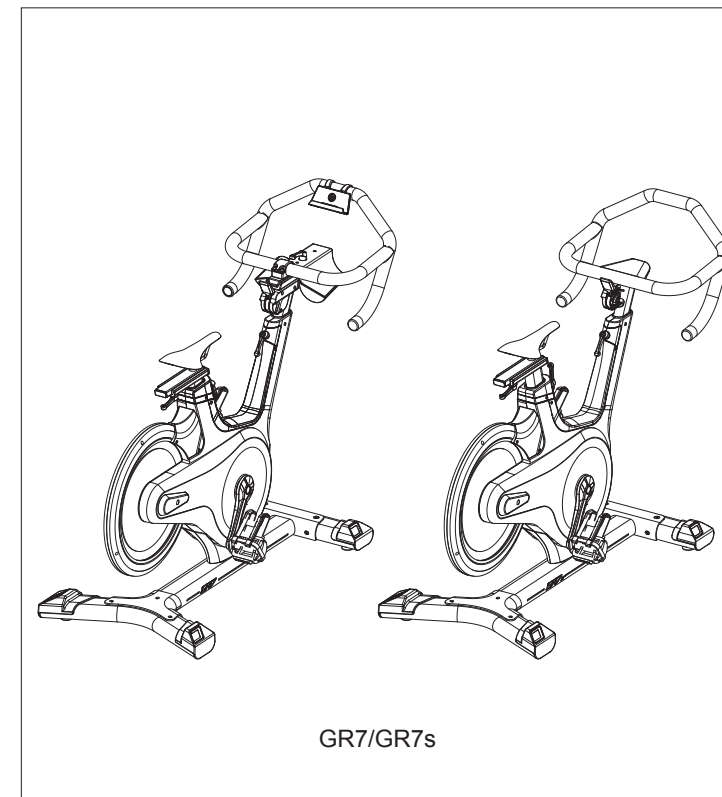
T03

ÉTAPE DE MONTAGE 4



GR7
GR7s

LE MONTAGE EST TERMINÉ !



GR7

Dimensions : 134 x 56,2 x 105,8 cm (53" x 22" x 42")

Poids du produit : 51 kg (112 lb.)

Poids max. de l'utilisateur : 136 kg (300 lb.)

GR7s

Dimensions : 130,5 x 56,2 x 105,8 cm (51" x 22" x 38")

Poids du produit : 49 kg (108 lb.)

Poids max. de l'utilisateur : 136 kg (300 lb.)

DÉPANNAGE ET MAINTENANCE



FRANÇAIS

QUESTIONS FRÉQUENTES RELATIVES AU PRODUIT



LES SONS QUE FAIT MON vélo d'appartement SONT-ILS NORMAUX ?

Nos vélos d'appartement figurent parmi les plus silencieux du marché, car ils fonctionnent avec un entraînement par courroie et une résistance de freinage cantilever. Nous utilisons des roulements et des chaînes/courroies de la plus haute qualité pour limiter le bruit. Cependant, puisque le système de résistance est si silencieux, vous pourrez entendre d'autres petits bruits mécaniques de temps en temps. Contrairement aux technologies plus anciennes et plus bruyantes, aucun bruit de ventilateurs, de frottement de courroies ou d'alternateurs ne vient masquer ces bruits sur nos vélos d'appartement. Ces bruits mécaniques, qui peuvent être intermittents ou non, sont normaux et sont provoqués par le transfert de grandes quantités d'énergie vers une roue d'inertie qui tourne rapidement. Tous les roulements, chaînes/courroies et autres pièces en mouvement émettent des bruits qui seront retransmis via le boîtier et le châssis. Il est également normal que ces bruits changent légèrement au cours d'un entraînement et au fil du temps en raison de la dilatation thermique des pièces.

POURQUOI LE vélo d'appartement QUE J'AI ACHETÉ EST-IL PLUS BRUYANT QUE CELUI PRÉSENTÉ EN MAGASIN ?

Tous les produits de remise en forme exposés en salle d'exposition semblent toujours être plus silencieux, car le bruit de fond y est plus élevé que chez vous. La réverbération acoustique est également moindre sur un sol en béton recouvert de moquette que sur un parquet. L'installation d'un tapis épais en caoutchouc sous l'appareil peut aider à réduire la réverbération à travers le sol. Si un appareil de remise en forme est placé près d'un mur, cela risque d'amplifier les bruits par un effet tambour.

QUELLE EST LA DURÉE DE VIE DE LA COURROIE ?

La modélisation informatique que nous avons réalisée a indiqué des milliers d'heures d'utilisation virtuelle sans maintenance. Vous ne devriez jamais avoir à changer la courroie de votre vélo d'appartement.

EST-IL POSSIBLE DE DÉPLACER FACILEMENT LE vélo d'appartement UNE FOIS QU'IL EST MONTÉ ?

Votre vélo d'appartement est équipé d'une paire de roulettes de transport intégrées dans la barre stabilisatrice avant. Veuillez consulter la section Déplacement du vélo d'appartement avant de déplacer votre appareil. Il est important de placer votre vélo d'appartement dans une pièce confortable et accueillante. Votre vélo d'appartement est conçu pour prendre le moins de place possible au sol. Beaucoup de gens positionnent leur vélo d'appartement devant la télévision ou face à une baie vitrée. Dans la mesure du possible, évitez de placer votre vélo d'appartement dans un sous-sol non aménagé. Pour que l'entraînement devienne une activité quotidienne agréable, votre vélo d'appartement doit être placé dans un environnement confortable.

DÉPANNAGE

PROBLÈME : le vélo d'appartement émet des grincements ou des grésillements.

SOLUTION : effectuez les vérifications suivantes :

- Assurez-vous que votre vélo d'appartement est installé sur une surface plane.
- Desserrez tous les boulons fixés au cours du montage, graissez les filetages et serrez à nouveau les boulons.

Si le problème subsiste, vous pouvez
CONTACTER L'ASSISTANCE TECHNIQUE AU NUMÉRO FIGURANT SUR LA CARTE D'INFORMATION.

Lors de votre appel, vous devrez probablement fournir les renseignements ci-après. Veuillez préparer les informations suivantes :

- Nom du modèle
- Numéro de série
- Preuve d'achat (facture ou relevé de carte bancaire)

Pour davantage de conseils sur le dépannage, consultez la rubrique Assistance client de notre site Internet. Contactez le service client en utilisant les informations figurant sur la CARTE D'INFORMATION.

Afin de pouvoir réparer votre vélo d'appartement, l'assistance technique vous demandera probablement des informations détaillées relatives au problème que vous rencontrez. Les questions pouvant être posées sont les suivantes :

- Depuis combien de temps rencontrez-vous ce problème ?
- Le problème se répète-t-il à chaque utilisation ? Avec tous les utilisateurs ?
- Si vous entendez un bruit gênant, provient-il de l'avant ou de l'arrière de l'appareil ? De quel type de bruit s'agit-il (bruit sourd, grincement, son aigu, sifflement, etc.) ?
- L'appareil a-t-il été lubrifié et entretenu conformément au programme d'entretien ?

Les réponses à ces questions et à d'autres questions permettront aux techniciens d'envoyer les pièces de rechange adéquates, d'effectuer l'intervention nécessaire au bon fonctionnement de votre vélo d'appartement et de vous faire reprendre votre entraînement !



MAINTENANCE

Le vélo d'appartement doit faire l'objet d'un contrôle régulier à la recherche de dommages et marques d'usure pour maintenir un degré élevé de sécurité. Les éléments qui ne peuvent pas être réparés devront être remplacés et le matériel ne devra pas être utilisé avant la fin de ces réparations.

QUOTIDIENNE

- Essayez le vélo d'appartement après chaque utilisation pour enlever la sueur et l'humidité. Utilisez du savon et de l'eau ou une solution nettoyante non abrasive diluée. Rincez le vélo pour enlever les résidus de détergent, puis séchez-le.
- Avant chaque séance, vérifiez que tous les composants tels que les pédales ou les manivelles sont bien serrés. Resserrez les pièces desserrées.

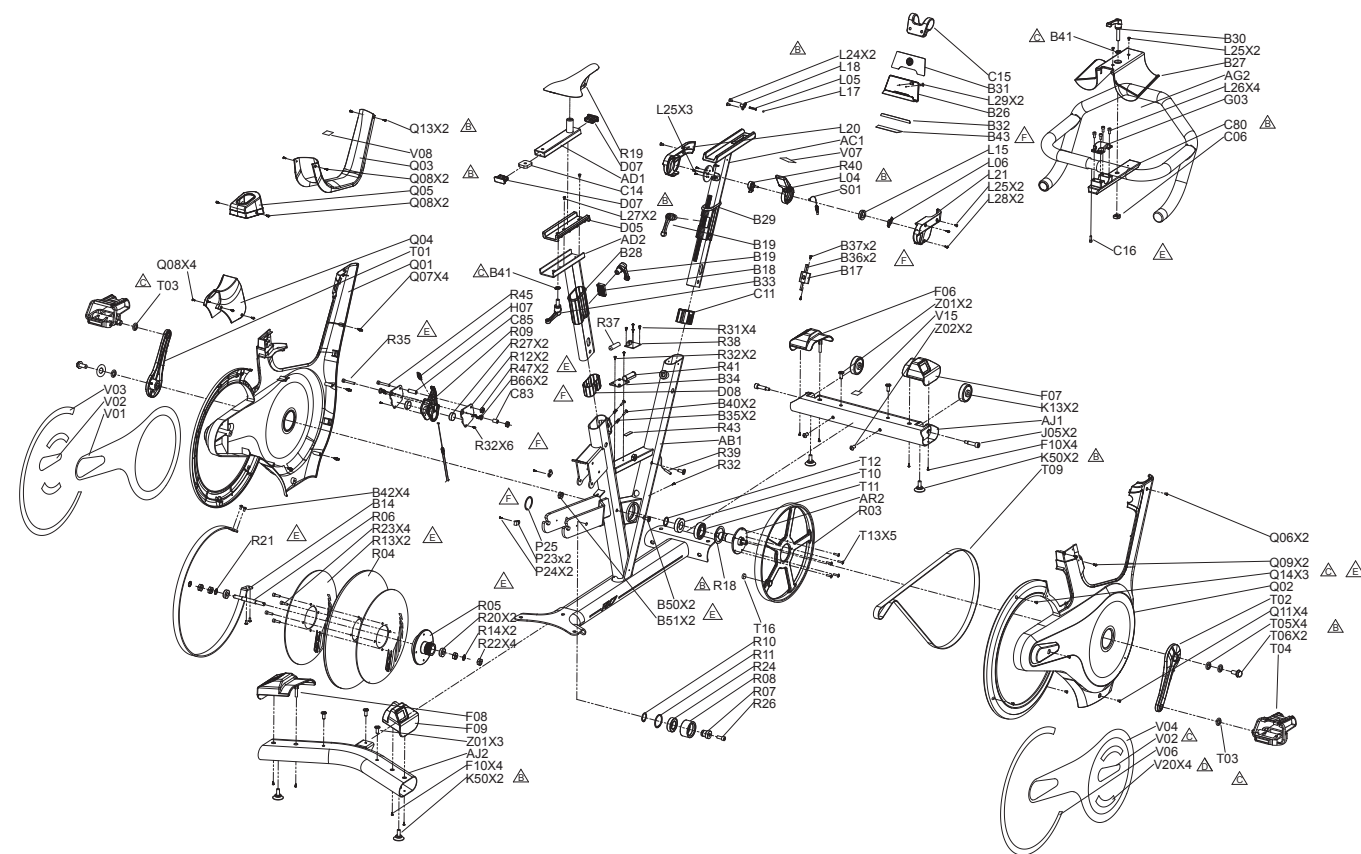
HEBDOMADAIRE

- Vérifiez le bon alignement de la roue d'inertie. Resserrez les écrous de la roue d'inertie le cas échéant.
- Retirez le garde-chaîne et vérifiez que la chaîne est lâche. Ajustez et lubrifiez la chaîne si nécessaire.
- Vérifiez que les bras sont bien serrés au pédalier.
- Vérifiez si les pièces, les écrous, les boulons ou les vis ont besoin d'être ajustés, remplacés ou réparés.

MENSUELLE

- Vérifiez la présence de rouille ou de corrosion sur les pièces du châssis et de montage. Inclinez le vélo ou retournez-le pour localiser les zones où la rouille et la corrosion peuvent se développer. Utilisez une petite brosse métallique pour enlever l'accumulation de rouille dans les petits interstices, comme les pieds de mise à niveau, les leviers d'attache rapide et d'autres ensembles de boulons.
- Inspectez tous les éléments soumis à l'usure pour voir s'ils ont besoin d'être ajustés ou éventuellement remplacés. Portez une attention toute particulière aux éléments suivants :
 - A) Inspectez l'état d'usure des patins de frein. Une usure ou sécheresse excessive indique qu'un remplacement est nécessaire.
 - B) Inspectez l'état d'usure du siège. Les déchirures ou un mouvement excessif indiquent qu'un remplacement est nécessaire.
 - C) Vérifiez le fonctionnement des pédales. Un mouvement excessif des pédales indique qu'un remplacement est nécessaire.
- Inspectez la tension de la chaîne en tournant la manivelle pour entraîner la roue d'inertie vers l'avant. Effectuez ce mouvement de 1/4 de tour pour évaluer s'il y a du jeu entre la manivelle et la roue d'inertie.
- Les pièces permettant l'ajustement de la hauteur et de la portée du guidon et du siège pourraient être plus difficiles à manipuler en raison de la sécheresse ou d'une utilisation prolongée. Si tel est le cas, l'ensemble coulissant doit être retiré du châssis et de la graisse doit être appliquée le long de la surface coulissante avant le montage. De même, appliquez un peu de graisse sur l'ensemble de fixation pour s'assurer qu'il n'accroche pas. Nettoyez l'excès de graisse avant le remontage.
- Veuillez graisser la tige de selle, le patin de frein et le réglage du guidon régulièrement avec le lubrifiant fourni avec les pièces.

VUE ÉCLATÉE DU MODÈLE GR7



LISTE DES PIÈCES GR7

No	DESCRIPTION	QTÉ
AB1	CADRE	1
B17	PLAQUE DE SERRAGE ; CADRE ; GAUCHE	1
B36	RESSORT À LAME ; TORSION	2
B37	VIS	2
B18	BLOPAGE AVEC PRESSION ; CADRE ; DROIT	1
B19	BOUTON	2
B14	PLAQUE DE FIXATION	1
B29	CAPUCHON ; CADRE ; AVANT	1
B28	CAPUCHON ; CADRE ; ARRIÈRE	1
B42	VIS	4
B35	RESSORT	2
B40	VIS	2
B50	VIS	2
B51	ÉCROU	2
P23	COURROIE D'ATTACHE ADHÉSIVE	2
P24	VIS	2
P25	BAGUE AMOVIBLE	0
AC1	ENSEMBLE DE SUPPORT DE CONSOLE	1
C06	SOCLE DE FIXATION ; BOUTON	1
C80	BLOC DE FIXATION	1

No	DESCRIPTION	QTÉ
AG2	GUIDON	1
L06	CROCHET D'EMPLACEMENT	1
L20	CACHE	1
L21	CACHE	1
S01	CÂBLE D'ACIER	1
L15	AXE PIVOTANT	1
L24	VIS	2
L25	VIS	7
L26	VIS	4
L28	VIS	2
L29	VIS	2
B26	GLISSIÈRE DE SUPPORT MP3	1
G03	PLAQUE DE SERRAGE	1
C11	CAPUCHON	1
B27	SUPPORT DE BOUTEILLE	1
L05	RESSORT	1
L18	GOUPILLE À RESSORT	1
L17	BILLE EN ACIER	1
B30	BOUTON	1
B31	REMBOURRAGE EN MOUSSE	1

No	DESCRIPTION	QTÉ
B32	REMBOURRAGE EN MOUSSE	1
C15	ENSEMBLE DE BOUCLE DE FIXATION	1
L04	GUIDON	1
L27	VIS	2
B41	RONDELLE	2
C16	VIS	1
B43	REMBOURRAGE EN MOUSSE	1
AJ1	ENSEMBLE DE STABILISATEUR	1
J05	VIS	2
AJ2	ENSEMBLE DE STABILISATEUR	1
K50	REPOSE-PIEDS	4
K13	ROULETTES DE TRANSPORT	2
F06	CAPUCHON ; AVANT DROIT	1
F07	CAPUCHON ; AVANT GAUCHE	1
F08	CAPUCHON ; ARRIÈRE GAUCHE	1
F09	CAPUCHON ; ARRIÈRE DROIT	1
F10	VIS	8
AD1	ENSEMBLE DE MANCHON DE SELLE	1
AD2	ENSEMBLE RÉGLABLE DE COUSSIN DE SIÈGE	1
D05	BLOC DE GUIDAGE	1

No	DESCRIPTION	QTÉ
R19	COUSSIN DU SIÈGE	1
D08	CAPUCHON ; INFÉRIEUR	1
C14	PLAQUE À ERGOT	1
B33	BOUTON	1
D07	CAPUCHON ; SUPÉRIEUR	2
R18	CALE	1
R03	DISQUE	1
T16	AIMANT	1
T09	COURROIE ; POLY-V	1
T04	ENSEMBLE DE PÉDALIER ; G/D	1
T10	ROULEMENT	1
T11	ROULEMENT	1
T12	BAGUE ÉLASTIQUE	1
T01	PÉDALIER (G)	1
T02	PÉDALIER (D)	1
R13	PLAQUE DE FIXATION	2
R04	DISQUE	1
R05	DISQUE DE FIXATION	1
R06	AXE PRINCIPAL	1
R20	ROULEMENT	2



LISTE DES PIÈCES GR7

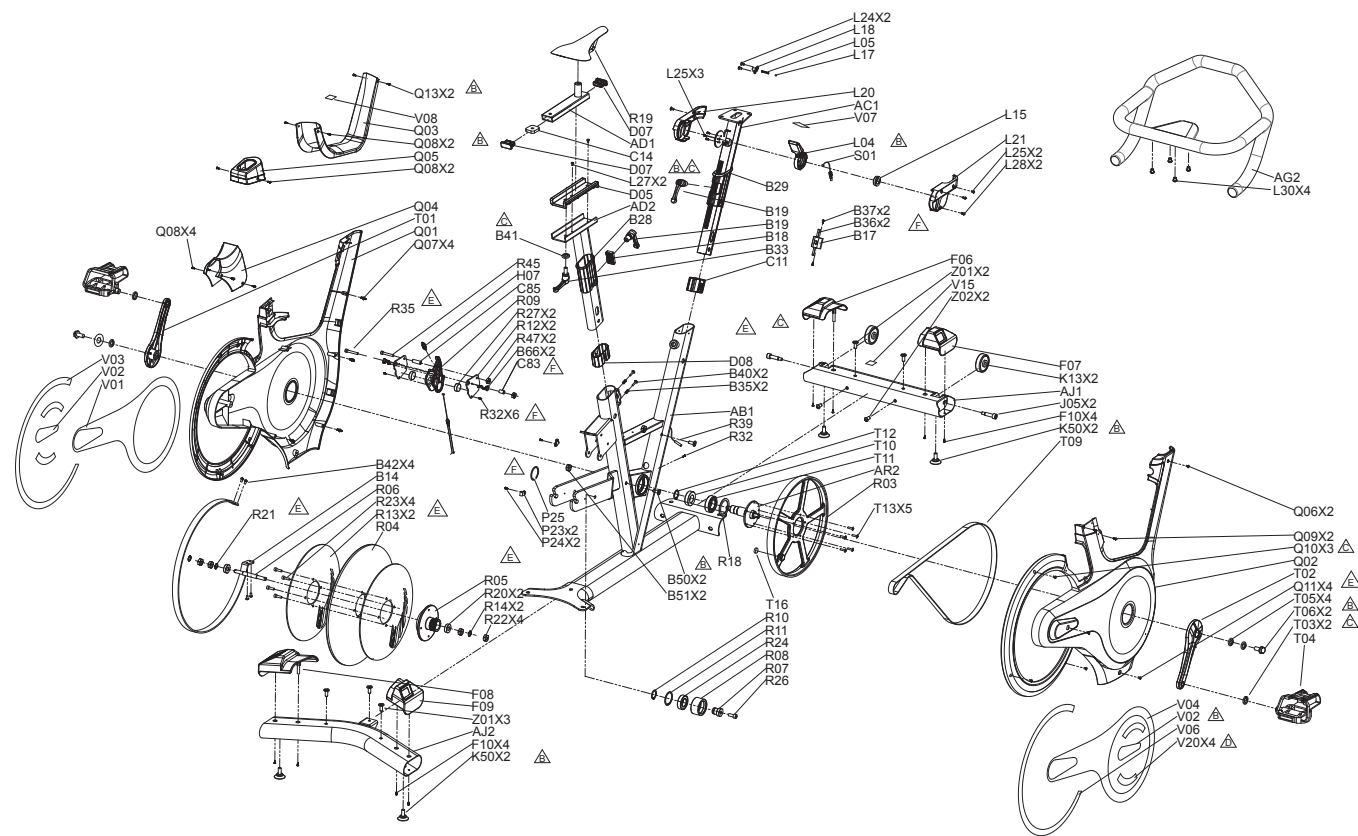
No	DESCRIPTION	QTÉ
R21	RONDELLE	1
R22	ÉCROU	4
R23	VIS	4
R14	RONDELLE	2
R07	ESSIEU	1
R08	TENDEUR	1
R24	ROULEMENT	1
R26	VIS	1
R10	BAGUE ÉLASTIQUE ; EN FORME DE C	1
R11	BAGUE ÉLASTIQUE ; EN FORME DE C	1
T06	ENSEMBLE DE VIS	2
T05	RONDELLE	4
AR2	AXE PRINCIPAL DE PÉDALE	1
T13	VIS	5
R09	SUPPORT EN PLASTIQUE	1
R12	PLAQUE DE FIXATION	1
R27	AIMANT PUISSANT	2
B66	REMBOURRAGE EN PLASTIQUE	2
R45	VIS	1
R47	ÉCROU	2

No	DESCRIPTION	QTÉ
H07	RESSORT	1
R37	BATTERIE	1
R38	LCB	1
R39	CÂBLE DE CAPTEUR DE VITESSE	1
R41	BASE DE BATTERIE	1
R40	MODULE ; GROUPE DE RÉSTANCE VARIABLE VR	1
B34	SOCLE DE FIXATION	1
R43	RUBAN ; MOUSSE ; DEUX CÔTÉS ;	1
R31	VIS	4
R33	VIS	4
R32	VIS	3
C83	AXE DE POSITIONNEMENT	1
R35	VIS	1
C85	AXE DE POSITIONNEMENT	1
Q01	CACHE LATÉRAL ; GAUCHE	1
Q02	CACHE LATÉRAL ; DROIT	1
Q03	CACHE ; AVANT	1
Q04	CACHE ; ARRIÈRE	1
Q05	CACHE ; SUPÉRIEUR	1
Q07	MONTANT DE FIXATION	4

No	DESCRIPTION	QTÉ
Q08	VIS	8
Q09	VIS	2
Q06	VIS	2
Q11	VIS	4
Q13	VIS	2
V01	ÉTIQUETTE, CACHE LATÉRAL ; SUPÉRIEUR GAUCHE	1
V02	ÉTIQUETTE, CACHE LATÉRAL ; INFÉRIEUR GAUCHE	2
V03	ÉTIQUETTE, CACHE LATÉRAL ; ARRIÈRE GAUCHE	1
V04	ÉTIQUETTE, CACHE LATÉRAL ; SUPÉRIEUR DROIT	1
V06	ÉTIQUETTE, CACHE LATÉRAL ; ARRIÈRE DROIT	1
V07	ÉTIQUETTE ; GUIDON ; SUPÉRIEUR	1
V08	ÉTIQUETTE D'AVERTISSEMENT ; SUPÉRIEUR	1
V15	ÉTIQUETTE EN	1
V20	ÉTIQUETTE, CACHE LATÉRAL ; MILIEU	4
Z01	VIS	5
Z03	CLÉ	1
Z02	VIS	2
Z04	CLÉ	1
T03	CALE	2



VUE ÉCLATÉE DU MODÈLE GR7S



LISTE DES PIÈCES GR7S

No	DESCRIPTION	QTÉ
AB1	CADRE	1
B17	PLAQUE DE SERRAGE	1
B36	RESSORT À LAME	2
B37	VIS	2
B18	BLOCAGE AVEC PRESSION	1
B19	BOUTON	2
B29	CAPUCHON ; AVANT	1
B28	CAPUCHON ; ARRIÈRE	1
B42	VIS	4
B35	RESSORT	2
B40	VIS	2
B50	VIS	2
B51	ÉCROU	2
P23	COURROIE D'ATTACHE ADHÉSIVE	2
P24	VIS	2
P25	BAGUE AMOVIBLE	0
S01	CÂBLE D'ACIER	1
AC1	ENSEMBLE DE SUPPORT DE CONSOLE	1
AG2	GUIDON	1
L20	CACHE ; GUIDON ; GAUCHE	1

No	DESCRIPTION	QTÉ
L21	CACHE ; GUIDON ; DROIT	1
L15	AXE PIVOTANT	1
L28	VIS	2
L25	VIS	5
L05	RESSORT	1
L18	GOUILLE À RESSORT	1
L17	BILLE EN ACIER	1
L30	VIS	4
L24	VIS	2
C11	CAPUCHON ; MONTANT DE LA CONSOLE ; INFÉRIEUR	1
L04	GUIDON	1
L27	VIS	2
C16	VIS	1
AJ1	ENSEMBLE DE STABILISATEUR	1
J05	VIS	2
AJ2	ENSEMBLE DE STABILISATEUR ; ARRIÈRE	1
K50	REPOSE-PIEDS	4
K13	ROULETTES DE TRANSPORT	2
F06	CAPUCHON ; AVANT DROIT	1
F07	CAPUCHON ; AVANT GAUCHE	1



LISTE DES PIÈCES GR7S

No	DESCRIPTION	QTÉ
F08	CAPUCHON ; ARRIÈRE GAUCHE	1
F09	CAPUCHON ; ARRIÈRE DROIT	1
F10	VIS	8
AD1	ENSEMBLE DE MANCHON DE SELLE	1
AD2	ENSEMBLE RÉGLABLE DE COUSSIN DE SIÈGE	1
D05	BLOC DE GUIDAGE	1
R19	COUSSIN DU SIÈGE	1
D08	CAPUCHON ; INFÉRIEUR	1
C14	PLAQUE À ERGOT	1
B33	BOUTON	1
D07	CAPUCHON ; COUSSIN DE SELLE ; SUPÉRIEUR	2
B41	RONDELLE	1
T16	AIMANT	1
R03	DISQUE	1
T09	COURROIE ; POLY-V	1
T04	ENSEMBLE DE PÉDALIER	1
T10	ROULEMENT	1
T11	ROULEMENT	1
T12	BAGUE ÉLASTIQUE	1
T13	VIS	5

No	DESCRIPTION	QTÉ
R13	PLAQUE DE FIXATION	2
R04	DISQUE	1
R05	DISQUE DE FIXATION	1
R06	AXE PRINCIPAL	1
R20	ROULEMENT	2
R21	RONDELLE	1
R22	ÉCROU	4
R23	VIS	4
R14	RONDELLE	2
R07	AXE ; TENDEUR	1
R08	TENDEUR	1
R24	ROULEMENT	1
R26	VIS	1
R10	BAGUE ÉLASTIQUE	1
R11	BAGUE ÉLASTIQUE	1
T01	PÉDALIER (G)	1
T02	PÉDALIER (D)	1
T06	ENSEMBLE DE VIS	2
T05	RONDELLE	4
R18	CALE	1

No	DESCRIPTION	QTÉ
AR2	AXE PRINCIPAL DE PÉDALE — TRAVAIL SUPPLÉMENTAIRE	1
B66	REMBOURRAGE EN PLASTIQUE	2
H07	RESSORT	1
R39	CÂBLE DE CAPTEUR DE VITESSE	1
R31	VIS	4
R32	VIS	7
R09	SUPPORT EN PLASTIQUE	1
R12	PLAQUE DE FIXATION	1
C85	AXE DE POSITIONNEMENT	1
C83	AXE DE POSITIONNEMENT	1
R45	VIS	1
R35	VIS	1
R47	ÉCROU	2
R27	AIMANT PUISSANT	2
Q01	CACHE LATÉRAL ; GAUCHE	1
Q02	CACHE ; DROIT	1
Q03	CACHE ; AVANT	1
Q04	CACHE ; ARRIÈRE	1
Q05	CACHE ; SUPÉRIEUR	1
Q08	VIS	8

No	DESCRIPTION	QTÉ
Q09	VIS	2
Q07	MONTANT DE FIXATION	4
Q06	VIS	2
Q11	VIS	4
Q13	VIS	2
Q10	VIS	3
V07	ÉTIQUETTE ; GUIDON ; SUPÉRIEUR	1
V01	ÉTIQUETTE, CACHE LATÉRAL ; SUPÉRIEUR GAUCHE	1
V02	ÉTIQUETTE, CACHE LATÉRAL ; INFÉRIEUR GAUCHE	2
V03	ÉTIQUETTE, CACHE LATÉRAL ; ARRIÈRE GAUCHE	1
V04	ÉTIQUETTE, CACHE LATÉRAL ; SUPÉRIEUR DROIT	1
V06	ÉTIQUETTE, CACHE LATÉRAL ; ARRIÈRE DROIT	1
V08	ÉTIQUETTE D'AVERTISSEMENT ; SUPÉRIEUR	1
V15	ÉTIQUETTE EN	1
V20	ÉTIQUETTE, CACHE LATÉRAL ; MILIEU	4
Z01	VIS	5
Z03	CLÉ	1
Z02	VIS	2
Z04	CLÉ	1
T03	CALE	2



D: Entsorgungshinweis

Horizon Fitness - Produkte sind recyclebar. Führen Sie das Gerät am Ende der Nutzungsdauer einer sachgerechten Entsorgung zu (örtliche Sammelstelle).

GB: Waste Disposal

Horizon Fitness products are recyclable. At the end of its useful life please dispose of this article correctly and safely (local refuse sites).

F: Remarque relative à la gestion des déchets

Horizon Fitness sont recyclables. A la fin de sa durée d'utilisation, remettez l'appareil à un centre de gestion de déchets correct (collecte locale).

NL: Verwijderingsaanwijzing

Horizon Fitness producten zijn recycleerbaar. Breng het apparaat aan het einde van de gebruiksduur naar een op recycling gespecialiseerd bedrijf (plaatselijk verzamelpunt).

E: Informaciones para la evacuación

Los productos de Horizon Fitness son reciclables. Cuando se termina la vida útil de un aparato o una máquina, entréguelos a una empresa local de eliminación de residuos para su reciclaje.

I: Indicazione sullo smaltimento

I prodotti Horizon Fitness sono riciclabili. Quando l'apparecchio non servirà più, portatelo in un apposito punto di raccolta della Vostra città (Punti di raccolta comunali).

PL: Wskazówka dotycząca usuwania odpadów.

Produkty firmy Horizon Fitness podlegają recyklingowi. Pod koniec okresu użytkowania proszę oddać urządzenie do właściwego punktu usuwania odpadów (lokalny punkt zbiorczy).



