

KETTLE

Assembly and Operating Instructions



max. 150 kg



~ 30 Min.



45 kg

L 119 | B 55 | H 137

FSKEM1013400.01.02

Art. No. K-EM1013-400

TOUR 600

Content

1	GENERAL INFORMATION	8
1.1	Technical Data	8
1.2	Personal Safety	9
1.3	Electrical Safety	10
1.4	Set-Up Place	11
2	ASSEMBLY	12
2.1	General Instructions	12
2.2	Scope of Delivery	13
2.3	Assembly	15
3	Console Manual	26
3.1	Console Display	26
3.2	Training Functions	30
3.2.1	AUTO Mode (Rotation speed-independent)	30
3.2.2	MANU Mode (rotation speed-dependent)	30
3.2.3	Heart Rate Zones	30
3.2.4	Recovery Heart Rate Measurement	30
3.4	Bluetooth and Fitness Apps	31
3.2.5	Turning off the Display	32
3.2.6	Heart Rate Measurement	32
3.3	Workout tips	32
3.3.1	Training clothes	32
3.3.2	Warming up and stretching	32
3.3.3	Medication	33
3.3.4	Used muscle groups	33
3.3.5	Exercise frequency	33
3.5	Workout journal	35
4	STORAGE AND TRANSPORT	36
4.1	General Instructions	36
4.2	Transportation Wheels	36
5	TROUBLESHOOTING, CARE AND MAINTENANCE	37
5.1	General Instructions	37
5.2	Faults and Fault Diagnosis	37
5.3	Error Codes and Troubleshooting	38
5.4	Maintenance and Inspection Calendar	39
6	DISPOSAL	39

7	RECOMMENDED ACCESSORIES	40
8	ORDERING SPARE PARTS	41
8.1	Serial Number and Model Name	41
8.2	Parts List	42
8.3	Exploded Drawing	45
9	WARRANTY	46
10	CONTACT	48

Dear customer,

Thank you for choosing a Kettler fitness device. Kettler Sport represents tradition, durability, and quality like no other home fitness brand. Classic home trainers such as the Golf have accompanied users for decades. At the same time, Kettler stands for innovation and continuously develops thoughtful solutions, particularly in usability and training comfort.

Kettler Sport provides everything you need for successful training at home: cardio and strength equipment, as well as a wide range of fitness accessories.

Further information can be found at www.fitshop.com/kettler.

Intended Use

The equipment may only be used for its intended purpose.

The equipment is only suitable for home use. The equipment is not suitable for semi-professional (e.g. hospitals, associations, hotels, schools, etc.) and commercial or professional use (e.g. fitness studios).

Legal Notice

Fitshop GmbH
Europe's No. 1 for home fitness

International Headquarters
Flensburger Straße 55
24837 Schleswig
Germany

Management:
Christian Grau
Sebastian Campmann
Dr. Bernhard Schenkel
No. HRB 1000 SL
Local Court Flensburg
European VAT Number: DE813211547

Disclaimer

Since December 19, 2024, the trademark rights to © Kettler for fitness equipment in the EU, EFTA, and Turkey are held by Fitshop GmbH. All rights reserved. Any use of this trademark without the explicit written permission of Fitshop is prohibited.

Product and manual are subject to change. Technical data can be changed without advance notice.

FITSHOP

Europe's No.1 for Home Fitness

ABOUT THIS MANUAL

Please carefully read the entire manual before installation and first use. The manual will help you to quickly set up the system and explains how to safely use it. Make sure that all persons exercising with the equipment (especially children and persons with physical, sensory, mental or motor disabilities) are informed about this manual and its contents in advance. In case of doubt, responsible persons must supervise the use of the equipment.

Due to ongoing changes and software optimisations, the manual may have to be updated. If you notice any discrepancies during assembly or use, please refer to the manual uploaded to the webshop. The latest manual is always available there.



This equipment has been manufactured according to the latest safety knowledge. As far as possible, potential safety hazards which could cause injury have been eliminated. Make sure to carefully follow the instructions and that all parts are securely in place. If required, read through the instructions again to correct any mistakes.

Training devices must be classified according to accuracy and use. Accuracy classes are only applicable to devices that display training data.

Accuracy classes

Class A: high accuracy.

Class B: medium accuracy.

Class C: low accuracy.

The use classes explain the intended use of the training device.

Use classes

Class S (studio): professional and/or commercial use.

These training devices are intended for the use in training rooms of facilities such as sports clubs, school facilities, hotels, clubs and studios whose access and supervision is specifically regulated by the owner (person with legal responsibility).

Class H (home use): use at home.

These stationary training devices are intended for the use in private homes where access to the training device is regulated by the owner (person with legal responsibility).

Please pay close attention to the safety and maintenance instructions given here. The contract partner cannot be held liable for damage to health, accidents or damage to the equipment when it is not used in accordance with these instructions.

The following safety instructions may appear in this manual:

► **ATTENTION**

This notice indicates potentially hazardous situations which, if not avoided, may result in property damage.

⚠ **CAUTION**

This notice indicates potentially hazardous situations which, if not avoided, may result in slight or minor injuries!

⚠ **WARNING**

This notice indicates potentially hazardous situations which, if not avoided, may result in death or serious injuries!

⚠ **DANGER**

This notice indicates potentially hazardous situations which, if not avoided, will result in death or serious injuries!

ⓘ **NOTICE**

This notice indicates further useful information.

Retain these instructions in a safe place for future reference, maintenance or when ordering replacement parts.

1.1 Technical Data

LCD Display shows:

- + Training time in min, h
- + Training distance in km, miles
- + Training speed in km/h, mph
- + RPM per minute
- + Calorie consumption in kcal, kJ
- + Heart rate (when using hand pulse sensors or chest strap)

User memory:	4
Training programs:	10
Quick-start program:	1
Manual program:	1
Heart rate-controlled program:	1

Weight and dimensions:

Gross weight (including packaging):	49 kg
Net weight (excluding packaging):	45 kg
Package dimensions (L x W x H):	117 cm x 28 cm x 66 cm
Assembled dimensions (L x W x H):	119 cm x 55 cm x 137 cm
Maximum user weight:	150 kg
Use class:	H

1.2 Personal Safety

DANGER

- + Before you start using the equipment, you should consult your physician that this type of exercise is suitable for you from a health perspective. Particularly affected are persons who: have a hereditary disposition to high blood pressure or heart disease, are over the age of 45, smoke, have high cholesterol values, are overweight and/or have not exercised regularly in the past year. If you are under medical treatment that affects your heart rate, medical advice is absolutely essential.
- + Note that excessive training can seriously endanger your health. Please also note that heart rate monitoring systems can be inaccurate. If you notice any signs of weakness, nausea, dizziness, pain, shortness of breath, or other abnormal symptoms, stop exercising immediately and seek advice from your doctor if necessary.
- + The owner must communicate all warnings and instructions to the user.

WARNING

- + This equipment may not be used by children under the age of 14.
- + Children should not be allowed unsupervised access to the equipment.
- + Persons with disabilities must have a medical license and must be under strict observation when using the equipment.
- + The equipment is strictly for use by one person at a time.
- + If your equipment provides a safety key, the clip of the safety key must be attached to your clothing before starting your training. In the event of a fall, the EMERGENCY STOP of the equipment can be initiated.
- + There is a risk of injury from spinning pedals and/or an exposed flywheel in the absence of a freewheel. Never get on or off the equipment when the pedals or the flywheel are still moving. Always make sure that the pedals and the flywheel have come to a complete stop.
- + Support yourself with at least one hand on the handlebar when getting on and off the equipment. Only dismount from the equipment when the pedals have come to a complete stop.
- + Keep your hands, feet and other body parts, hair, clothing, jewellery and other objects well clear of moving parts.
- + During use, wear suitable sports clothing rather than loose or baggy clothing. When wearing sports shoes, make sure they have suitable soles, preferably made of rubber or other non-slip materials. Shoes with heels, leather soles, studs or spikes are unsuitable. Never exercise barefoot.

CAUTION

- + If your equipment needs to be connected to the power supply with a mains cable, make sure that the cable is not a potential tripping hazard.
- + Make sure that nobody is within the range of motion of the equipment during training so as not to endanger you or other persons.
- + Always tighten the pedal strap before you start training to prevent your feet from slipping.

 **CAUTION**

- + Be aware that if adjustment devices are left protruding, they may impede the user's movement.

 **ATTENTION**

- + Do not insert any objects of any kind into the openings of the device.
- + To protect the equipment from use by unauthorised third parties, always remove the power cable (if existing) when not in use and store it in a safe place that is inaccessible to unauthorised persons (e.g. children).
- + Class B and C crank training equipment is not suitable for high accuracy purposes.

1.3 Electrical Safety

 **DANGER**

- + In order to reduce the risk of an electric shock, always unplug the equipment from the mains socket immediately after your workout, before assembly or dismantling, and before maintenance or cleaning. Do not pull on the cable.

 **WARNING**

- + Do not leave the equipment unattended while the mains cable is plugged into the mains socket. During your absence, the mains cable must be removed from the mains socket to prevent improper use by third parties or children.
- + If the mains cable or plug is damaged or defective, contact your contract partner. Until repair, the equipment must not be used.

 **ATTENTION**

- + The equipment requires a mains connection of 220-230 V with 50 Hz mains voltage.
- + The equipment may only be connected directly to an earthed socket using the supplied mains cable. Extension cables must conform to VDE guidelines. Always completely unwind the mains cable.
- + The socket must be protected by a fuse with a minimum fuse rating of "16 A, slow blow".
- + Do not make any changes to the mains cable or the mains plug.
- + Keep the mains cable away from water, heat, oil and sharp edges. Do not route the mains cable underneath the equipment or under a carpet or rug, and do not place any objects on top of it.
- + If your purchased item is equipped with a TFT console, software updates must be carried out regularly. Follow the instructions on the console to perform the update(s).
- + The software systems on gym equipment with TFT consoles are set up only for the pre-installed apps. Do not install any additional apps.

 **NOTICE**

- + The pre-installed apps on TFT consoles are produced and provided by external manufacturers. Fitshop does not take any responsibility for the availability, functionality or contents of these apps.
- + Hereby, Fitshop GmbH declares that the radio equipment type Wireless Connection (2.402–2.480 GHz) complies with Directive 2014/53/EU. The full text of the EU Declaration of Conformity is available at the following website: www.fitshop.com.

1.4 Set-Up Place

⚠ WARNING

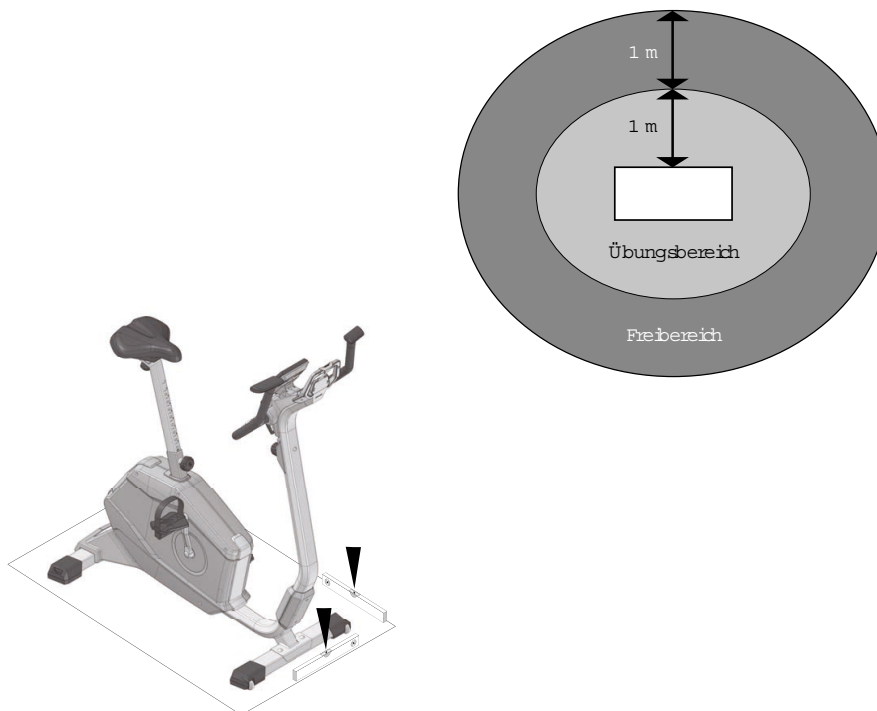
- + Do not place the equipment in main corridors or escape routes.

⚠ CAUTION

- + Choose a location in which to place the equipment such that there is enough free space/clearance to the front, the rear and to the sides of the equipment.
- + The training room should be well ventilated during training and not be exposed to any draughts.
- + Choose the place in which to set up the equipment such that there is enough free space/clearance to the front, the rear and to the sides of the equipment.
- + The free area in the direction from which the exercise equipment is accessed must be at least 0.6 m larger than the exercise area.
- + The set-up and mounting surface of the equipment should be flat, loadable and solid.

▶ ATTENTION

- + The device may only be used in one building, in sufficiently tempered and dry rooms (ambient temperatures between 10°C and 35°C). The equipment should not be used outdoors or in rooms with high humidity (over 70%) like swimming pools.
- + A floor protective mat/equipment underlay can help to protect high-quality floor coverings (parquet, laminate, cork, carpets) from dents and sweat and can help to level out slight unevenness.
- + For Class S equipment, the exercise equipment may only be used in areas where access, supervision and control are specifically regulated by the owner.



2.1 General Instructions



DANGER

- + Do not leave any tools, packaging materials such as foils or small parts lying around, as otherwise there is a danger of suffocation for children. Keep children away from the equipment during assembly.



WARNING

- + Pay attention to the instructions attached to the equipment in order to reduce the risk of injuries.



CAUTION

- + Ensure to have sufficient room for movement in each direction during assembly.
- + The assembly of the equipment must be carried out by at least two adults. If in doubt, seek the help of a third technically skilled person.



ATTENTION

- + To prevent damage to the equipment and the floor, assemble the equipment on a mat or packaging board.



NOTICE

- + In order to make the assembly as simple as possible, some screws and nuts to be used can already be pre-assembled.
- + Ideally, assemble the equipment at its later set-up place.

2.2 Scope of Delivery


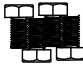

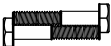

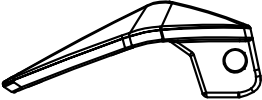

The scope of delivery consist of the following parts. At the beginning, check whether all parts and tools belonging to the device are included in the scope of delivery and whether damage has occurred. In the event of complaints, the contractual partner must be contacted directly.

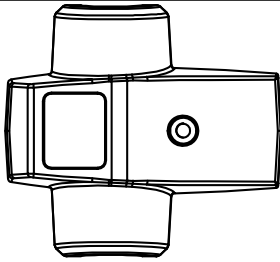





CAUTION

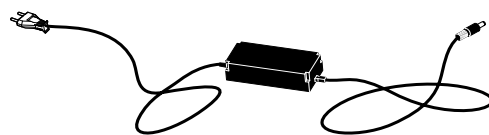
If parts of the scope of delivery are missing or damaged, the assembly must not be carried out.

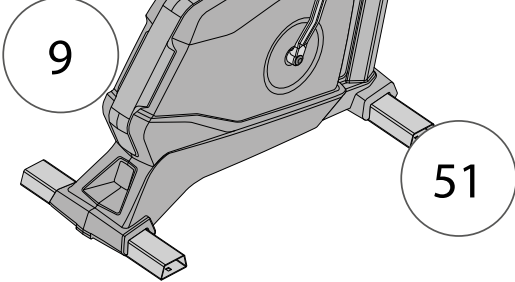
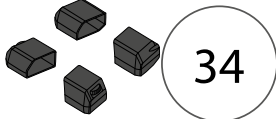
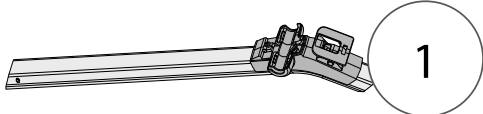
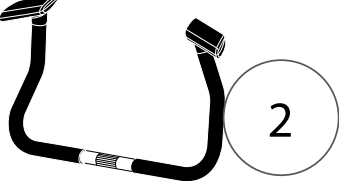





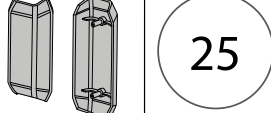
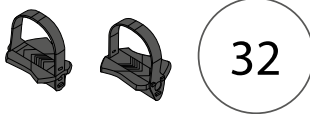
NOTICE

Required tools: Phillips screwdriver, ratchet, wrench

		$\phi 8.5 \times \phi 25 \times 27$ 4PCS
		M8*P1.25*16L 4PCS
		M8*50L*820L 2PCS
		M8*P1.25*15L*825L 2PCS
		M8*7T 2PCS
10		1PCS
11		3T 1PCS

8		ABS 1PCS
77		$\phi 8 \times 4$ 1PCS
		M6*P1.0*16L 1PCS
19		PA6 1PCS
		$\phi 8 \times \phi 16 \times 27$ 4PCS
		ST3.9*10L 3PCS



		Stck.	
		1	
		4	
		1	
		1	
		1	
		1	
		1	
		1	
		1/1	
		1/1	
		1/1	

2.3 Assembly

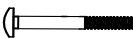


Before assembly, take a close look at the individual assembly steps shown and carry out the assembly in the order given.

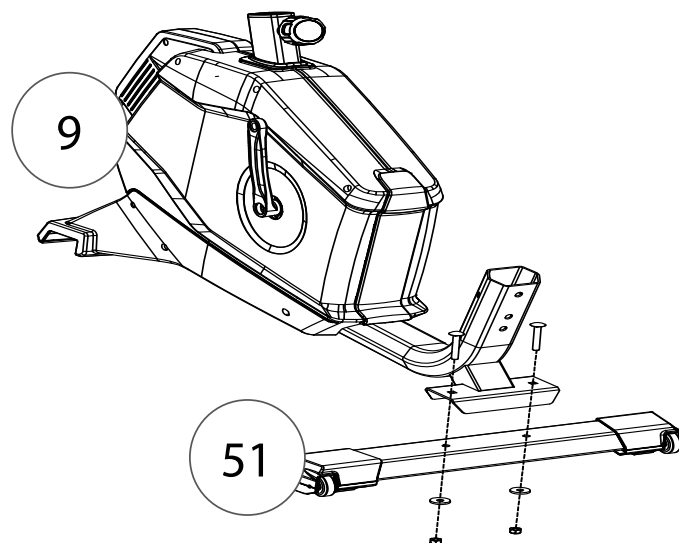
NOTICE

- + First loosely screw all parts together and check that they fit properly. Tighten the screws using the tool only when you are instructed to do so.
- + Do not tighten the screws and bolts with excessive force as they could be damaged.
- + If you have difficulty recognising the graphics, we recommend that you open and/or download the PDF instructions stored in the webshop on your end device (e.g. smartphone, tablet or PC). There you have the option of zooming in closer. Please note that the Adobe Acrobat Reader programme must be installed on your end device in order to open the file.

Step 1: Assembling the Base



1. Attach the front base (51) to the frame (9) using two screws (M8*50*S20L), two washers (Ø8.5*Ø25*2T), and two nuts (M8*7T).

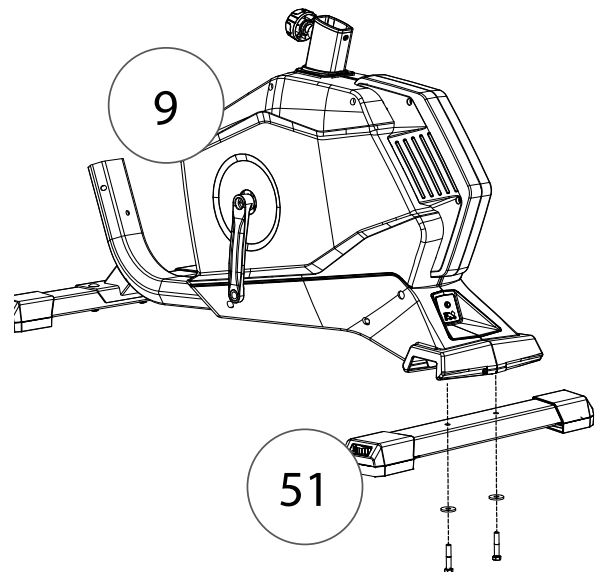
	M8*50*S20L	2PCS
	Ø8.5*Ø25*2T	2PCS
	M8*7T	2PCS



Step 2: Assembling the Rear Base


1. Attach the rear base (51) to the frame (9) using two screws (M8*P1.25*45L*S25L) and two washers (Ø8.5*Ø25*2T).

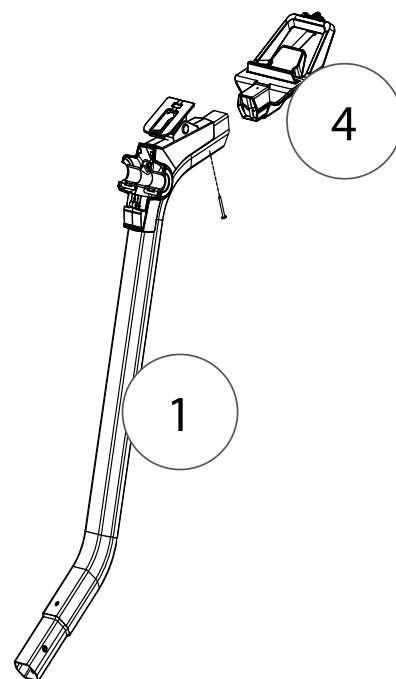
	M8*P1.25*45L*S25L	2PCS
	Ø8.5*Ø25*2T	2PCS



Step 3: Assembling the Console Mount

1. Attach the console mount (4) to the console mast (1) using one screw (ST3.9*40).

	ST3.9*40	1PCS
---	----------	------

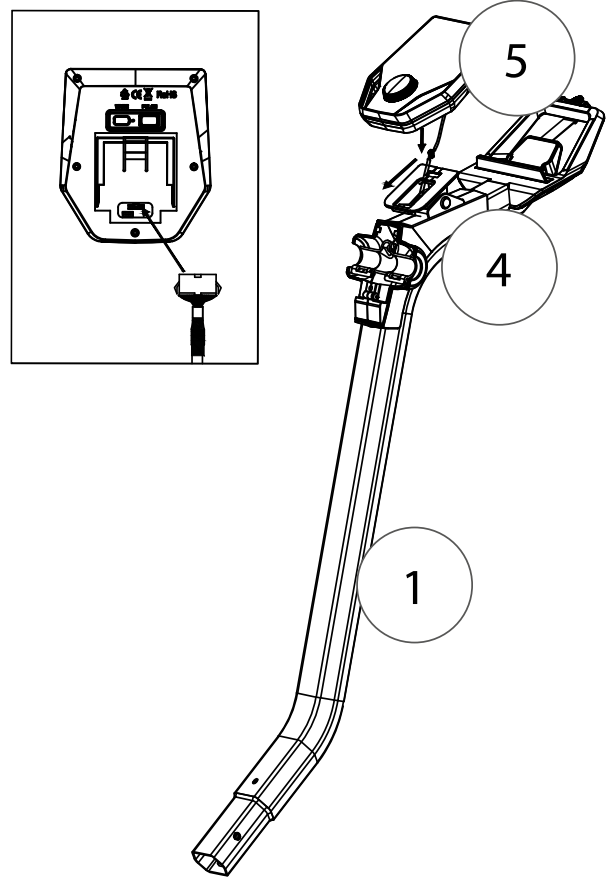


Step 4: Assembling the Console

► **ATTENTION**

Be sure not to pinch the cable during the following steps.

1. Connect the cable of the console mast (1) to the interface on the console (5).
2. Attach the console (5) to the console mast (1).

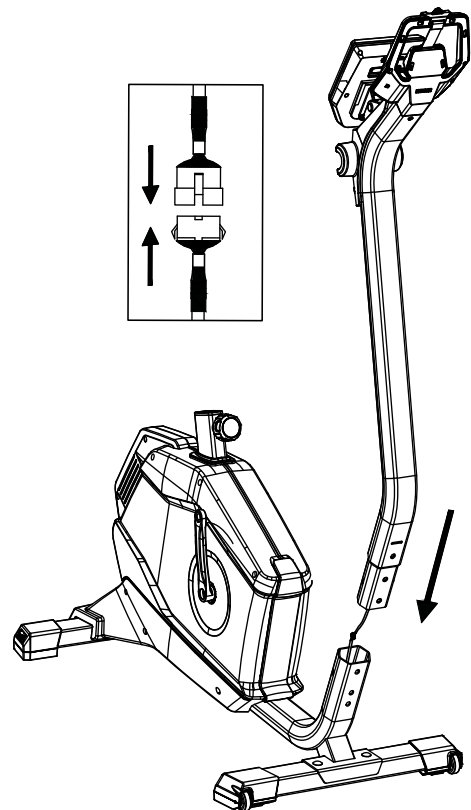


Step 5: Connecting the Cables

► **ATTENTION**



Be sure not to pinch the cables during the following step.

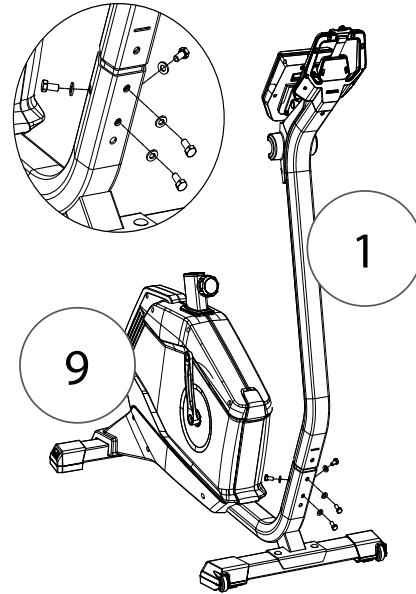
1. Connect the cables together.



Step 6: Assembling the Console Mast


1. Attach the console mast (1) to the frame (9) using four screws (M8*P1.25*16L) and four washers (Ø8*Ø16*2T).

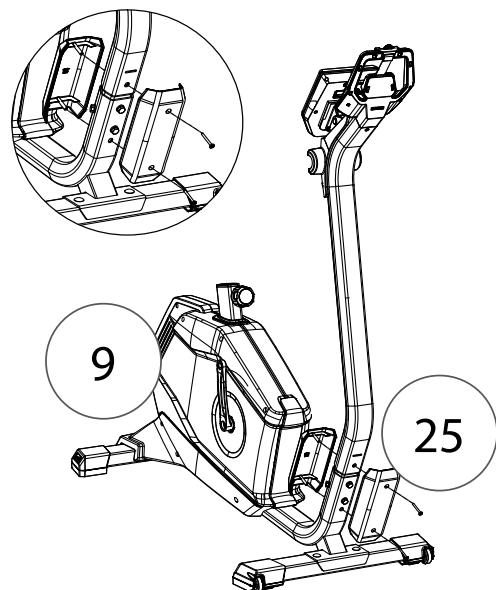
	M8*P1.25*16L	4PCS
	Ø8*Ø16*2T	4PCS



Step 7: Assembling the Frame Covers



1. Attach the two frame covers (25) to the frame (9) using two screws (ST3.9*40).

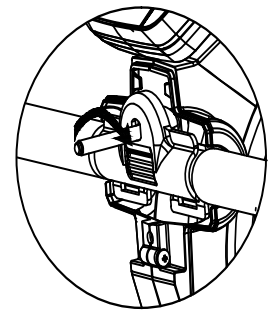
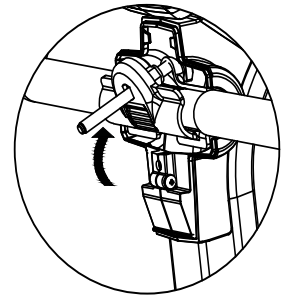
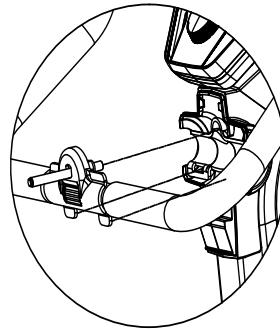
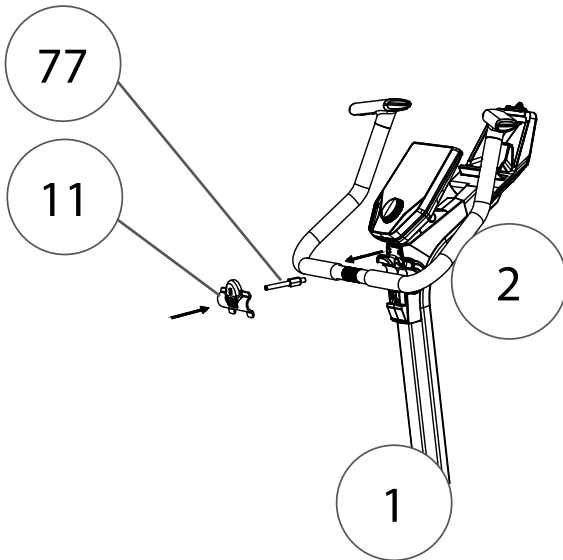
	ST3.9*40	2PCS
---	----------	------



Step 8: Assembling the Handle

1. Attach the handle (2) to the console mast (1) using a mounting clamp (11) and a pin (77).
2. Secure the handle (2) with the pin (77).

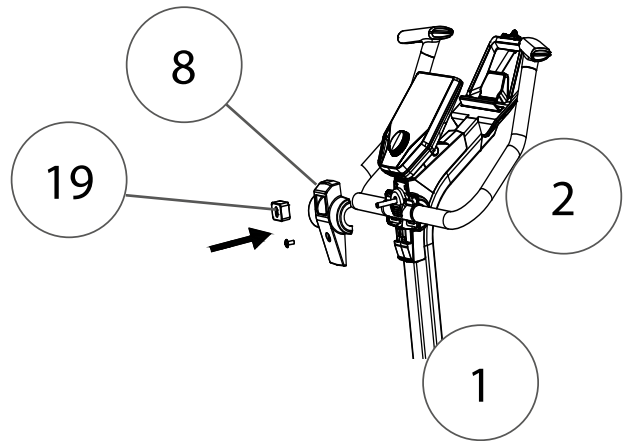
	1PCS
	Φ8*84 1PCS



Step 9: Assembling the Cover

1. Attach the cover (8) to the handle (2) and console mast (1) using one screw (M6*P1.0*16L) and one bushing (19).

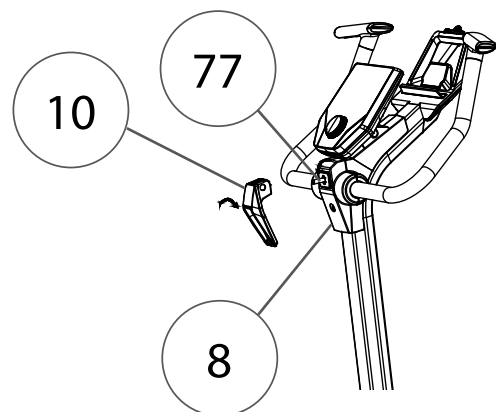
	1PCS
	M6*P1.0*16L 1PCS
	1PCS



Step 10: Assembling the Adjustment Lever

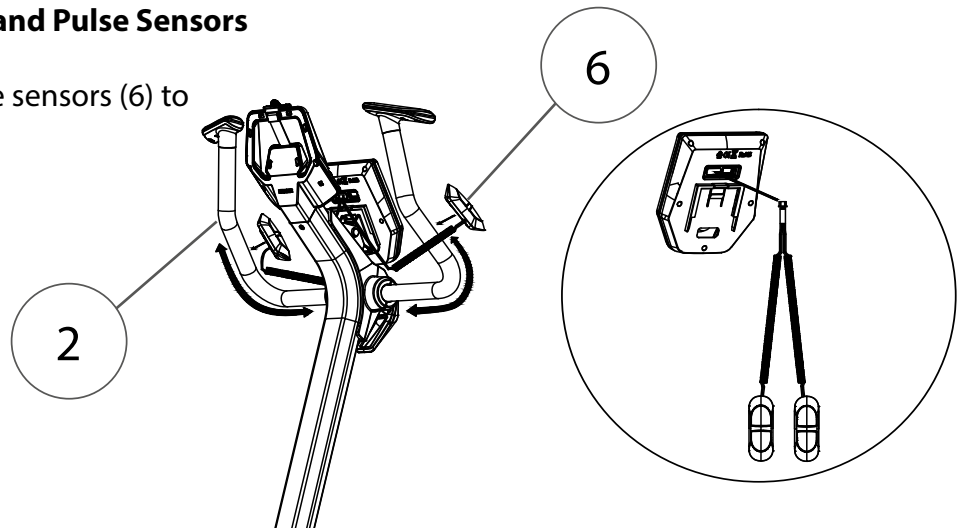
1. Attach the adjustment lever (10) to the cover (8) and the pin (77).

	1PCS
--	------



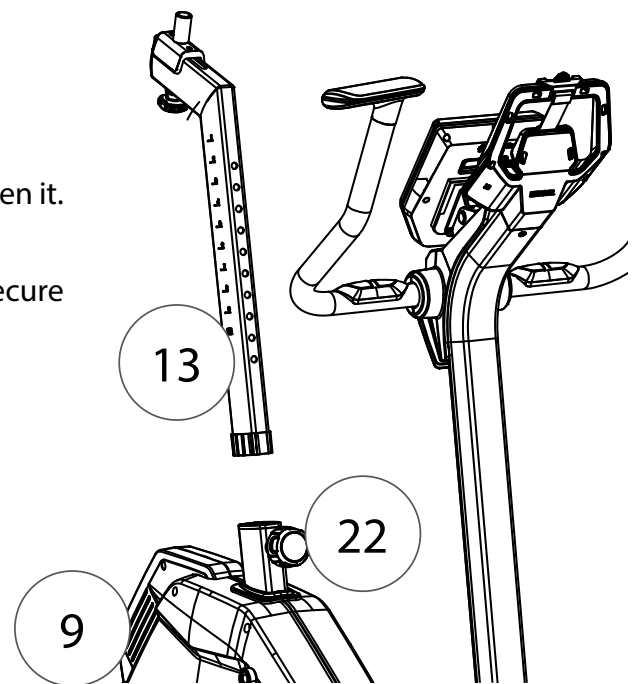
Step 11: Attaching the Hand Pulse Sensors

1. Attach the hand pulse sensors (6) to the handle (2).



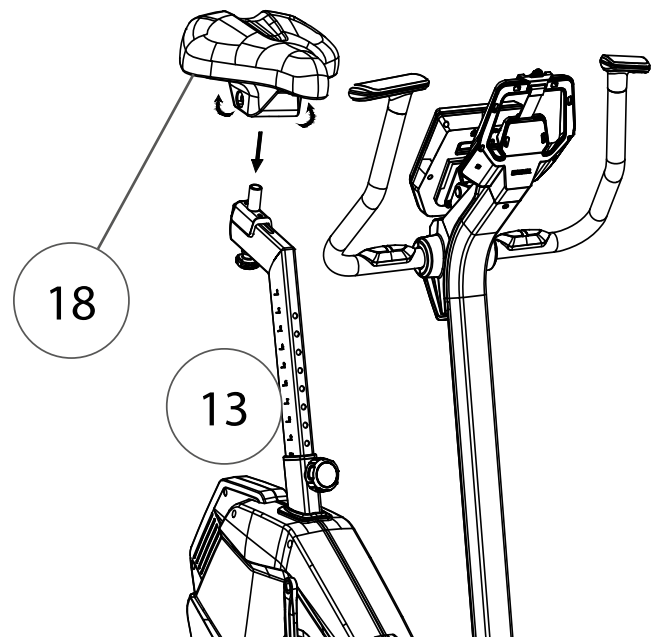
Step 12: Assembling the Seat Post

1. Turn the locking pin (22) on the frame (9) to loosen it.
2. Insert the seat post (13) into the frame (9).
3. Turn the locking pin (22) on the frame (9) to secure the seat post (13).



Step 13: Assembling the Seat

1. Attach the seat (18) to the seat post (13).



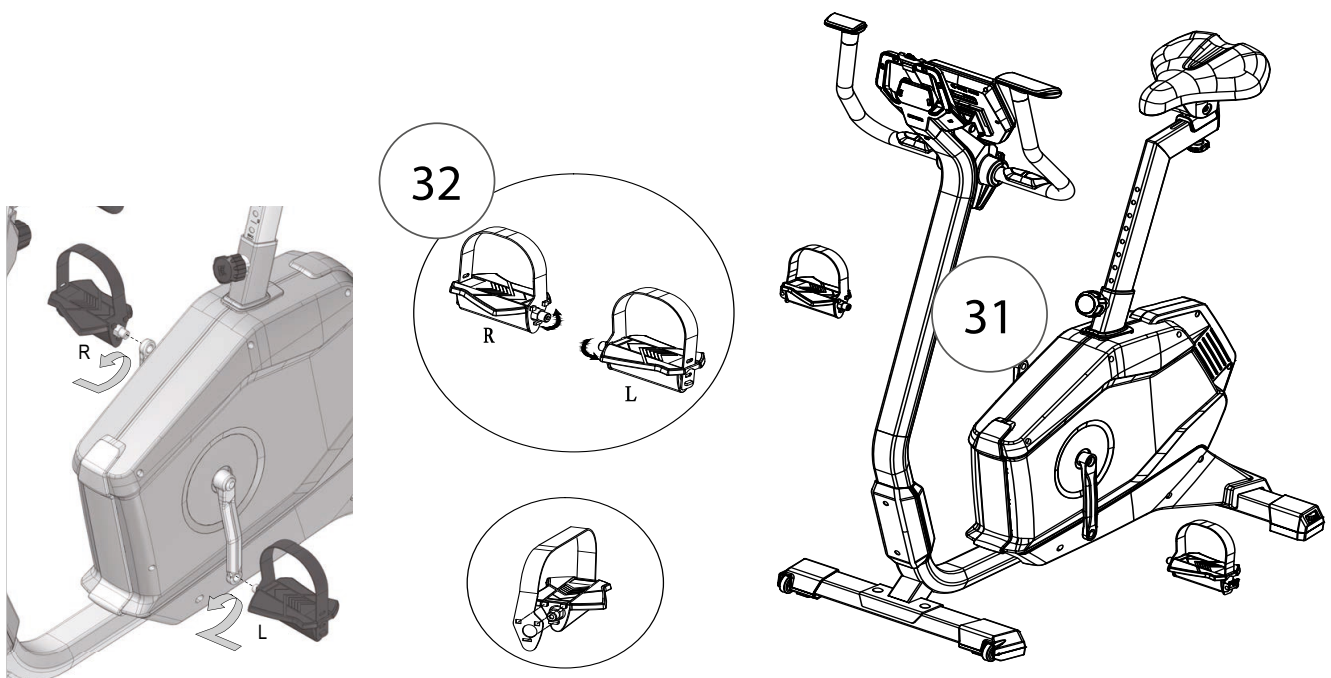
Step 14: Assembling the Pedals



CAUTION

Make sure to screw the pedals in completely.

1. Attach the left pedal (32) to the left crank arm (31) using the tool, turning counterclockwise.
2. Attach the right pedal (32) to the right crank arm (31) using the tool, turning clockwise.



Step 15: Assembling the Strap

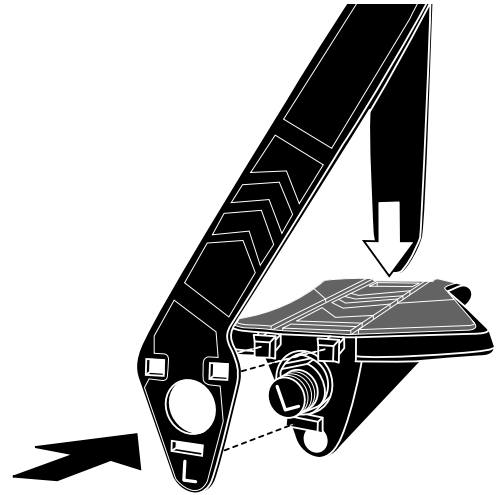
NOTE

To make the assembly of the strap easier, soak it in warm water.

1. Stretch the strap over the pedals.

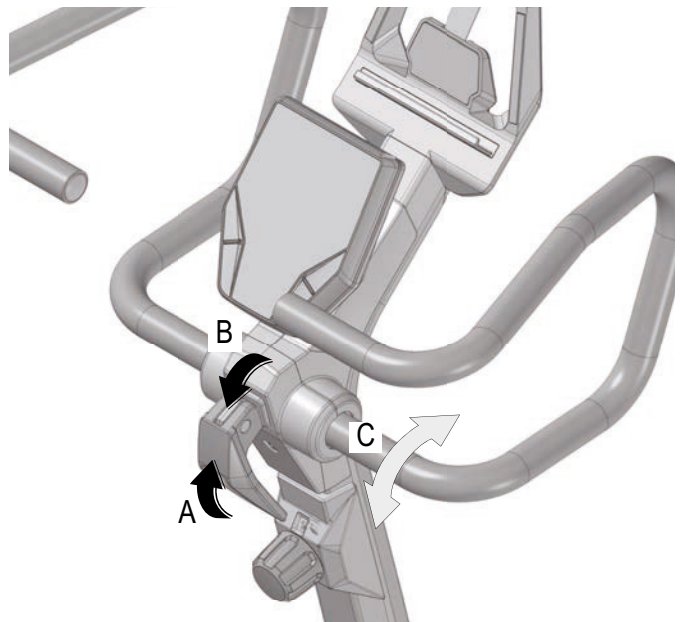
NOTE

The strap should lie loosely over the ball of the foot and should not press.



Step 16: Adjusting the Handle

1. Lift the adjustment lever vertically (Figure A).
2. Adjust the handle to your desired position (Figure B).
3. Return the adjustment lever to its starting position (Figure C).



Step 17: Adjusting the Seat Position

Height Adjustment

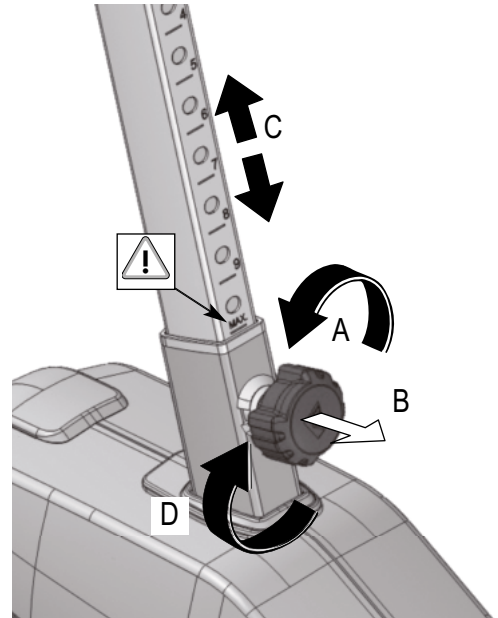
1. Turn the locking pin counterclockwise (Figure A) and remove it from the frame (Figure B).



CAUTION

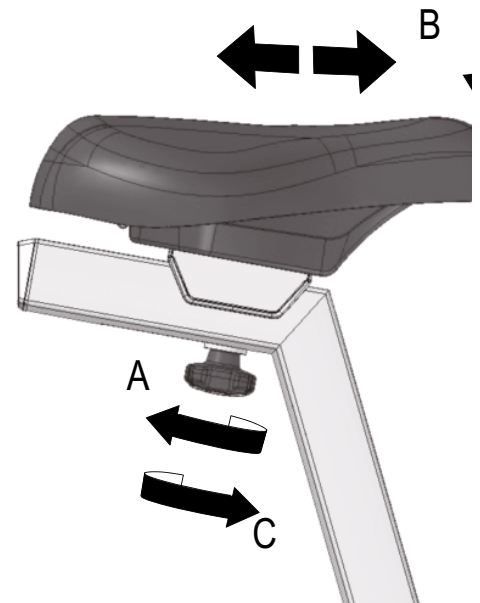
When adjusting, make sure not to exceed the minimum insertion depth.

2. Adjust the seat post to your desired position (Figure C).
3. Position the locking pin on the frame and turn it clockwise to tighten the seat post.



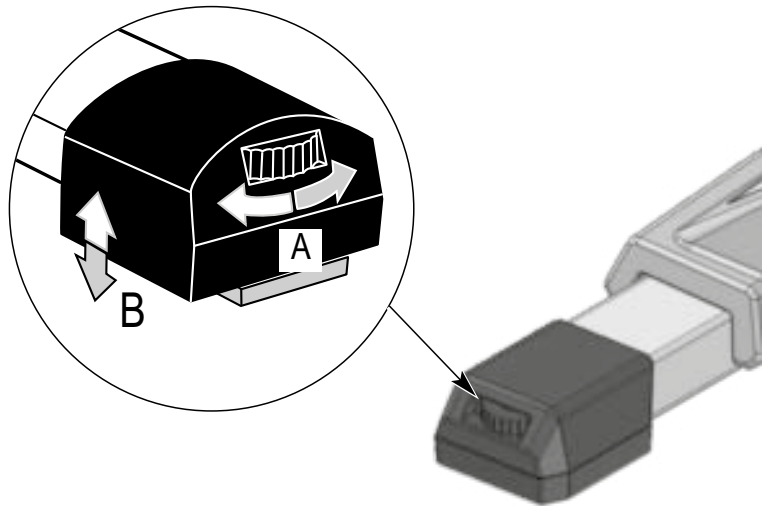
Seat Adjustment

1. Turn the locking pin under the seat post clockwise (Figure A).
2. Adjust the saddle to your desired position (Figure B).
3. Turn the locking pin under the seat post counterclockwise to tighten the saddle (Figure C).



Step 18: Adjusting the Base Feet

1. If the floor is uneven, you can stabilize the device by turning the adjustment knob on the rear base foot.



Correct Mounting and Dismounting

1. To mount, grip the handlebars with both hands and first step onto the left pedal with your left foot or the right pedal with your right foot, then place the other foot on the opposite pedal.
2. To dismount, grip the handlebars with both hands, place one foot next to the device, and then the other foot.

Step 19: Connecting the Device to the Power Supply

WARNING

The device must not be plugged into a power strip, as this may prevent the device from receiving sufficient power. This could result in technical issues.

Plug the power cord into an electrical outlet that meets the safety requirements outlined in the electrical safety chapter.






NOTICE






- + Familiarise yourself with all the functions and setting options of the device before starting training. Have the proper use of this product explained to you by a specialist.
- + Always start your training with low intensity and increase evenly and gently. End your training with a cool-down phase. If you are unsure, please consult your physician.






3.1 Console Display



Button	Function
Turning knob	<ul style="list-style-type: none"> + Press: Press the centre button to confirm the selected item. You jump to the selected menu item or the selected training programme. + Turn: Change the selection in the respective menu. The semi-circular display in the lower display area indicates additional selection options. Turn in the workout to change the resistance.
Left button	<ul style="list-style-type: none"> + Go back to the higher-level menu item. Any changes you have made will not be saved. + End the training session and start the recovery heart rate measurement. Press again to return to training.
Right button	<ul style="list-style-type: none"> + Call up the context information. The meaning of the menu item is explained in more detail. + Display of average values. When the button is pressed, average values are displayed for a few seconds.

Display	Function
	<p>Device settings</p> <ul style="list-style-type: none"> + In this menu item, you can make all cross-user device settings (e.g. change the device language, change the unit of measurement, etc.).
	<p>Connection with Bluetooth</p> <ul style="list-style-type: none"> + In this menu item, you can connect the device to your smartphone or tablet via Bluetooth. + You can find more detailed explanations on this in the section Establishing a connection with a smartphone or tablet.
	<p>Guest user</p> <ul style="list-style-type: none"> + The guest user is a preset user profile. It offers the option of training without presetting. + No training results are saved in the guest user profile. In addition, no personal settings can be made.
	<p>Individually created users (named)</p> <ul style="list-style-type: none"> + Up to 4 individually created users appear to the right of the guest user. They are designed as personal user accounts for people who train regularly. Personal settings can be made in the account and personal training results can be saved.
	<p>Create new user</p> <ul style="list-style-type: none"> + A new individual user (see point 3) can be created in this menu. When this menu item is selected, the name and age are requested. The user can also choose a profile face. The new user is then added to the start menu.

Display	Function
	<p>Device settings</p> <ul style="list-style-type: none"> + In this menu item, you can make all user-specific settings (e.g. changing the age). Changes in this menu have no effect on the data of other users.
	<p>Meine Ergebnisse</p> <ul style="list-style-type: none"> + Unter ‚Meine Ergebnisse‘ lässt sich die persönlich erzielte Gesamtleistung sowie das Ergebnis des letzten Trainings ablesen.
	<p>Mein letztes Training</p> <ul style="list-style-type: none"> + Mit Auswahl dieses Menüpunktes gelangt man direkt in das zuletzt gestartete Training. Dieser Menüpunkt ist immer vorausgewählt, wenn man ins Nutzermenü gelangt. Somit ist das letzte Training nur einen Klick entfernt.
	<p>Meine Trainingsliste</p> <ul style="list-style-type: none"> + In der dahinterliegenden Auswahl finden sich alle auf dem Gerät gespeicherten Trainings. Die unterschiedlichen Trainingsformen werden weiter unten beschrieben.
	<p>Trainingskonfigurator</p> <ul style="list-style-type: none"> + Mit dem Trainingskonfigurator lässt sich ein individuelles Trainingsprofil erstellen. Haben Sie es einmal erstellt, wird das Profil in der Trainingsliste abgelegt. + Jedem Nutzer steht ein Speicherplatz für ein individuell konfiguriertes Training zur Verfügung. Durch Konfiguration eines neuen Trainings wird das bisherige Training überschrieben.

Display	Function
	<p>Quick Start</p> <ul style="list-style-type: none"> + Start a workout easily without any preset options. All values start at zero. + You decide on the duration and intensity of the training. This workout is preselected when you enter the My Training List menu.
	<p>Targeted Workouts</p> <ul style="list-style-type: none"> + Turn left from the Quick Start option to access three targeted workout programs. Set a personal target value for training time, distance, or energy to be burned. During the workout, the selected value will count down to zero.
	<p>Heart Rate Controlled Training (HRC Training)</p> <ul style="list-style-type: none"> + The HRC training option is located at the far left of the selection menu. It is the ideal workout mode for training within a specific heart rate zone. Before starting, you set a target heart rate. The fitness equipment then automatically adjusts the resistance to help you reach and maintain your target heart rate. + The central graphic on the display shows whether you are training within your target zone or if you are above or below it. + Tip: In the menu, under Personal Settings > HRC Start Level, you can select an initial resistance level for your HRC training. <p>NOTE Well-trained athletes tend to choose a higher start level, while beginners should opt for a lower setting.</p>
	<p>Profile Workouts</p> <ul style="list-style-type: none"> + Turn right from the Quick Start option to access Profile Workouts 1–6. In these workouts, the fitness equipment automatically adjusts the resistance level according to the selected profile. + The resistance changes are moderate in Profiles 1–3 and more challenging in Profiles 4–6. After selecting a profile workout, you set the training duration and then start your session. + Tip: By turning the central dial (3) during training, you can shift the entire profile up or down.
	<p>Train Your Custom Profile</p> <ul style="list-style-type: none"> + On the far right of the selection menu, you will find the storage space for your custom-created profile.

3.2 Training Functions

3.2.1 AUTO Mode (Rotation speed-independent)

In this mode, you enter the target performance value in watts.

1. To change the watt target value, turn the knob.

The system calculates the necessary brake resistance.

The brake resistance is measured by target value and the current pedaling rate. The brake resistance adjusts as soon as the pedaling rate changes.

3.2.2 MANU Mode (rotation speed-dependent)

In this mode, you choose a brake resistance level. The brake resistance level remains constant regardless of the pedaling rate.

3.2.3 Heart Rate Zones

There are 5 heart rate zones (Z1–Z5), which are calculated based on the entered age.

- + Maximal training heart rate (HR Max) = $220 - \text{age}$
- + Z1 = 50–60% of HR Max = WARM-UP
- + Z2 = 61–70% of HR Max = FAT BURNING
- + Z3 = 71–80% of HR Max = ENDURANCE
- + Z4 = 81–90% of HR Max = INTENSIVE ENDURANCE
- + Z5 = 91–100% of HR Max = MAXIMUM RANGE

The heart rate zones will be displayed in the text field when the function is activated under Personal Settings > Heart Rate Zones.

3.2.4 Recovery Heart Rate Measurement



WARNING

Your training equipment is not a medical device. The heart rate measurement of this equipment may be inaccurate. Various factors can affect the accuracy of the heart rate measurement. The heart rate measurement serves only as a training aid.

1. Press the Recovery Pulse button during training while heart rate measurement is active. After 10 seconds, the measurement will begin.
2. The electronics will measure your heart rate for 60 seconds in a countdown.

The recovery pulse score will be displayed.

→ *The display will end after 20 seconds or by pressing the Recovery Pulse button again.*



NOTE

If no pulse is detected at the beginning or end of the countdown, an error message will appear.

3.4 Bluetooth and Fitness Apps

This console is equipped with a bluetooth interface. Please take note that your mobile device needs to be compatible with the bluetooth interface of the treadmill.

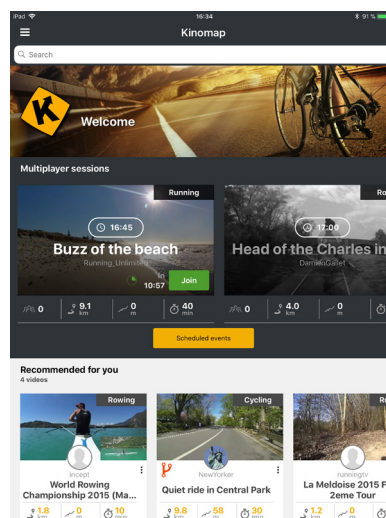
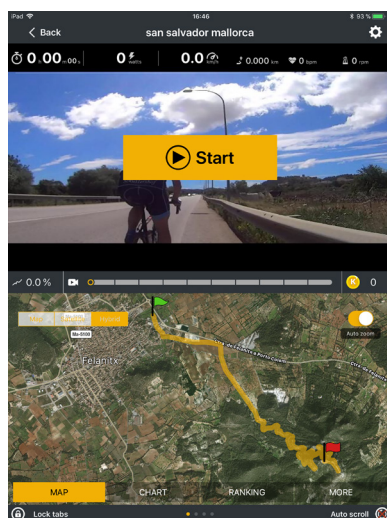
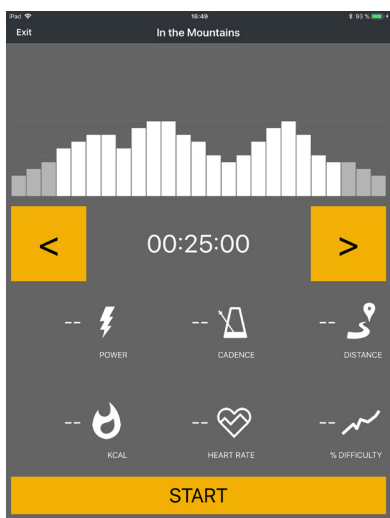
To use training apps you will have to activate the bluetooth function on your mobile device (tablet or smart phone) and start the fitness app. Select your fitness equipment. Please follow the instructions given in the app. You will find the name of your fitness equipment on a small sticker on the back of the console.

You will find the fitness apps in the app stores of Google or Apple. There you will find the apps "Kinomap" or "Zwift". Please note that these apps are produced by an external manufacturer. Fitshop does not take any responsibility regarding the availability, functionality or contents of these programmes.

IMPORTANT NOTE

The pre-installed apps are produced and provided by external manufacturers. Changes and availability within these apps might occur. Fitshop does not take any responsibility and can not be held liable for the availability, functionality or contents of these apps. To make sure the pre-installed apps are working correctly, they must be updated regularly. If needed, the respective app will notify you to do so. To update the app, you need a google account. A google email is sufficient. Just follow the instructions on the screen to perform the update.

Please note: The system is set up only for the pre-installed apps. Do not install any additional apps as their proper functionality can not be guaranteed. The installation of other apps might cause technical issues.



Example: Kinomap

3.2.5 Turning off the Display

After 4 minutes of inactivity or by pressing and holding the left button, the display will turn off.

3.2.6 Heart Rate Measurement

Heart rate measurement can be done using two sources:

- + Hand Pulse: The connection is located on the back of the display.
- + Chest Strap: The receiver is positioned behind the display.

Chest straps are not always included in the delivery. A chest strap is recommended for heart rate controlled training.

3.3 Workout tips

When training, it is important to perform the exercises correctly in order to avoid injuries and achieve the desired training effect. Make sure you use the correct technique and train at an appropriate intensity level. Always consult an expert such as a trainer or doctor if you are unsure or have health problems. Always start your training with a low load and increase it evenly and gently.

End your training with a cool-down phase. If you have any questions or uncertainties, contact your doctor.

3.3.1 Training clothes

During training, wear appropriate sports clothing that is comfortable and breathable. Avoid clothing that restricts you or is uncomfortable. Make sure that your shoes are suitable and offer you sufficient support. In addition, always carry a towel with you to wipe away sweat and keep the equipment clean.

3.3.2 Warming up and stretching

It is important to warm up and stretch properly before training to avoid injury and improve performance. Stretching helps to loosen muscles and improve flexibility. Be sure to incorporate a short stretching routine before each workout.

Warm-up exercise:

1. Stand upright with your feet about shoulder-width apart.
2. Start with gentle arm circles by slowly moving your arms forwards in small circles in a controlled manner.
3. Perform arm circles backwards to loosen your shoulders and arms.
4. Do squats by slowly squatting down and then straightening up again. Make sure that your knees do not extend beyond your toes.



CAUTION

Do not exercise with sore muscles or take it easy on the affected muscles, as this can lead to injuries.

3.3.3 Medication

If you regularly take medication and want to exercise, it is important to be aware of possible side effects. Ask your doctor whether your medication affects your workout.

3.3.4 Used muscle groups

This training uses the following muscle groups:

- + Gluteal muscle
- + Leg muscles

Make sure you keep your back straight during training. Do not hunch over and do not arch your back. Do not fully extend your legs, but keep a slight bend in the backwards movement.

3.3.5 Exercise frequency

Regular exercise is crucial to making progress and staying healthy in the long term. Continuous exercise can strengthen muscles, improve endurance and enhance overall well-being. Remember that even small workouts can be done regularly to achieve long-term results.

Training with heart rate orientation

Heart rate orientation guarantees an extremely effective and healthy training. Through your age and the following table, you can quickly and easily read and determine the optimal pulse for your training. An acoustic alarm will sound if your heart rate exceeds the set target heart rate. Which target heart rate is important for which training goal can be found out in the following.

Fat burning (weight management): The main goal here is to burn deposits of fat. In order to achieve this training goal, a low training intensity (approximately 55% of the maximum heart rate) and a longer training period are required.

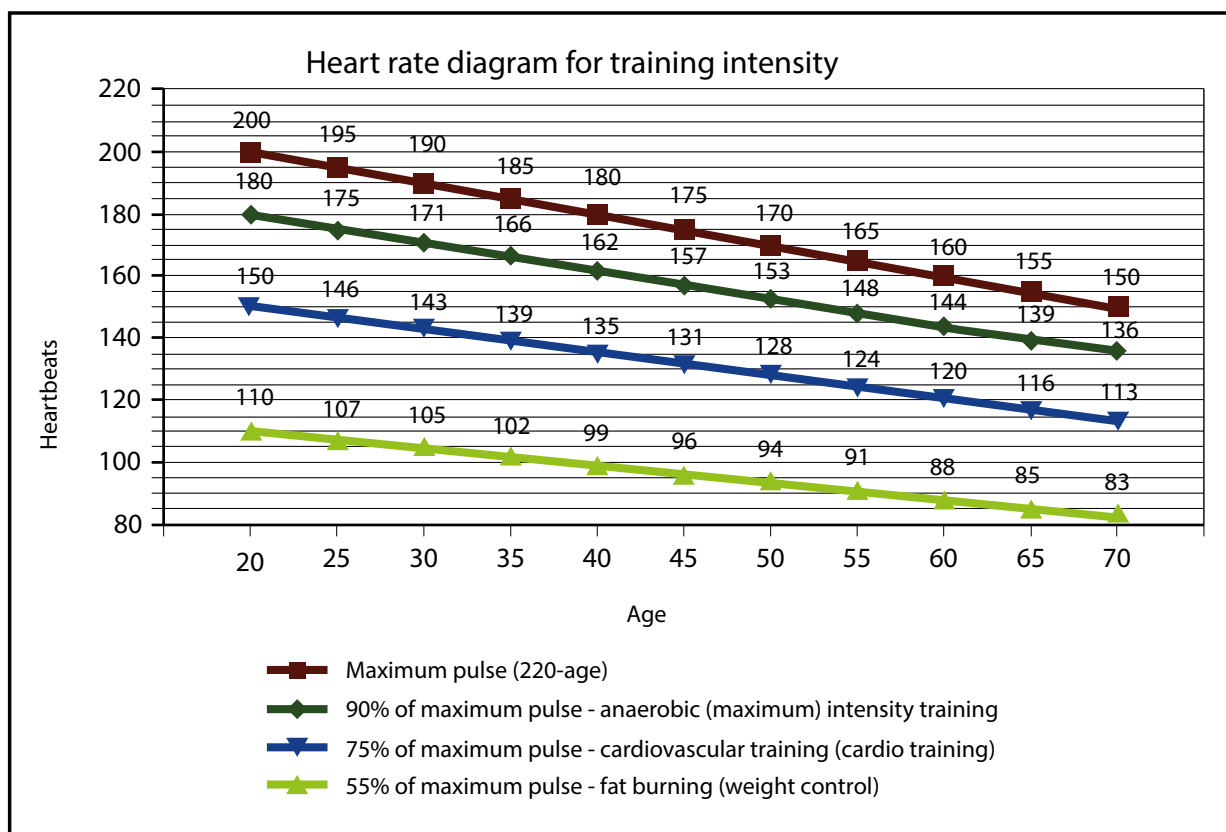
Cardiovascular training (cardio training): The primary goal is to increase stamina and fitness through an improved provision of oxygen through the cardiovascular system. In order to achieve this training goal, medium intensity (approximately 75% of the maximum heart rate) with a medium training period is required.

Anaerobic (maximum) load training: The main goal of maximum load training is to improve recovery after short, intense loads in order to be able to quickly return to the aerobic zone. In order to achieve this training goal, a high intensity (approximately 90% of the maximum heart rate) with short, intense load is required, which is followed by a recovery phase in order to prevent muscle fatigue.

Example:

For a 45-year-old man, the maximum heart rate is 175 ($220 - 45 = 175$).

- + The fat burning target zone (55%) is at approximately 96 beats/min. = $(220 - \text{age}) \times 0.55$.
- + The cardio target zone (75%) is at approximately 131 beats/min. = $(220 - \text{age}) \times 0.75$.
- + The maximum heart rate for an anaerobic load training (90%) is at approximately 157 beats/min. = $(220 - \text{age}) \times 0.9$.



4.1 General Instructions

WARNING

- + The storage location should be chosen so that improper use by third parties or children can be prevented.
- + If your equipment does not have transportation wheels, the equipment must be disassembled before transportation.

ATTENTION

- + Make sure that the equipment is protected from moisture, dust and dirt in the selected storage location. The storage location should be dry and well ventilated and have a constant ambient temperature between 10°C and 35°C.

4.2 Transportation Wheels

ATTENTION

If you want to transport your equipment over particularly sensitive and soft floor coverings, such as parquet, planks or laminate, lay out the transport route with cardboard or similar to avoid possible floor damage.

1. Stand behind the equipment and lift it until the weight is transferred to the transportation wheels. After that, you easily can move the equipment to a new position. For long transport distances the equipment should be disassembled and safely packed.
2. Select the new location by following the instructions in the section 1.4 of this manual.

5.1 General Instructions



WARNING

- + Do not make any improper changes to the equipment.



CAUTION

- + Damaged or worn components may affect your safety and the life of the equipment. Therefore, immediately replace damaged or worn components. In such a case, contact the contract partner. The equipment must not be used until it has been repaired. If necessary, use only original spare parts.

► ATTENTION

- + In addition to the instructions and recommendations for maintenance and care given here, additional service and/or repair work may be necessary; this must only be carried out by authorised service technicians.

5.2 Faults and Fault Diagnosis

The equipment undergoes regular quality controls during production. Nevertheless, faults or malfunctions may occur. Frequently, individual parts are responsible for these disturbances, an exchange is usually sufficient. Please refer to the following overview for the most common errors and how to correct them. If the equipment still does not function properly, contact your contract partner.

Fault	Cause	Solution
Cracking in the pedal area	Pedals loose	Tighten the pedals
Equipment wobbles	Equipment is not level	Align the feet
Handlebar/saddle wobbles	Loose screws	Tighten screws firmly
Display is blank/is not working	Batteries empty or loose cable connection	Replace batteries or check cable connections
No pulse display	<ul style="list-style-type: none"> + Sources of interference in the room + unsuitable chest strap + Wrong position of chest strap + Chest strap defective or battery empty + Pulse display defective 	<ul style="list-style-type: none"> + Eliminate sources of interference (e.g. mobile phone, WLAN, lawn mower and vacuum cleaner robot, etc. ...) + Use a suitable chest strap (see RECOMMENDED ACCESSORIES) + Reposition chest strap and/or moisten electrodes + Changing batteries + Check if pulse display by hand pulse possible

5.3 Error Codes and Troubleshooting

The electronics of the equipment continuously carries out tests. In case of deviations, an error code appears on the display and normal operation is stopped for your safety.

Please contact the contract partner for technical support.

5.4 Maintenance and Inspection Calendar

To avoid damage from body sweat, the equipment must be cleaned with a damp towel (no solvents!) after each training session.

The following routine tasks must be performed at the specified intervals:

Part	Weekly	Monthly
Display console	C	I
Plastic covers	C	I
Screws and cable connections		I
Check pedals for tightness		I
Legend: C = clean; I = inspect		

By scanning the QR-code with the camera function or QR-code scanner app of your smartphone/tablet, a video on general maintenance of an exercise bike opens on YouTube. The video serves to illustrate the maintenance points described in this manual.

Please note that the video may not be available in your language or with appropriate subtitles.

If you cannot scan QR-codes, you can access all Fitshop videos on YouTube by first opening YouTube and entering "Fitshop" in the search field.



6 DISPOSAL

At the end of its operational life, this equipment cannot be disposed of in normal household waste. Instead, it must be disposed of via an electricals recycling centre. Further information can be obtained from your local authority's recycling service.



The materials can be recycled as per their symbols. Through the reuse, recycling of materials or other forms of recovery of old equipment, you make an important contribution to the protection of the environment.

7 RECOMMENDED ACCESSORIES

To make your training experience even more efficient and pleasant, we recommend that you add suiting accessories to your fitness equipment. For elliptical cross trainers this could for example be a **floor mat**, which makes your fitness equipment stand more securely and also protects the floor from sweat or **silicone spray** to keep moving parts in good shape.

If you have purchased a fitness machine with pulse training and want to train your heart rate, we strongly recommend that you use a compatible **chest strap**, as this ensures optimum transmission of the heart rate.

Our range of accessories offers the highest quality and makes training even better. If you would like to find out more about compatible accessories, please go to the detail page of the product in our webshop (the easiest way is to enter the article number in the search field above) and go to the recommended accessories on this page. Of course, you can also contact our customer service: by telephone, e-mail, in one of our branches or via our social media channels. We will be happy to advise you!



saddle cover



chest strap



chest strap contact gel



floor mat



saddle



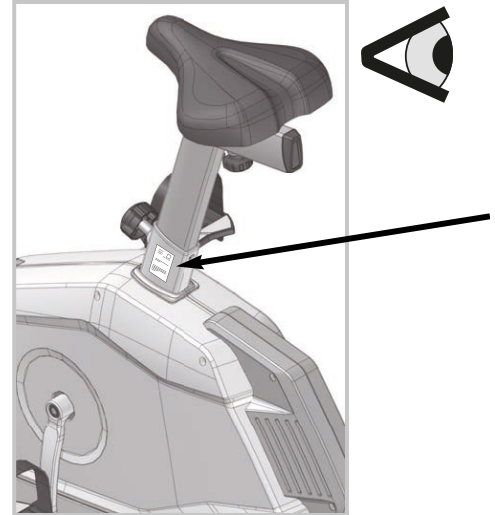
silicone spray

8.1 Serial Number and Model Name

In order to provide you with the best possible service, please have the model name, article number, serial number, exploded drawing and parts list ready. The corresponding contact options can be found in chapter 10 of this operating manual.

NOTICE

The serial number of your equipment is unique. It's located on a white sticker. The exact position of this sticker is shown in the following illustration.



Enter the serial number in the appropriate field.

Serial number:

Brand / Category:

Model Name:

Article Number:

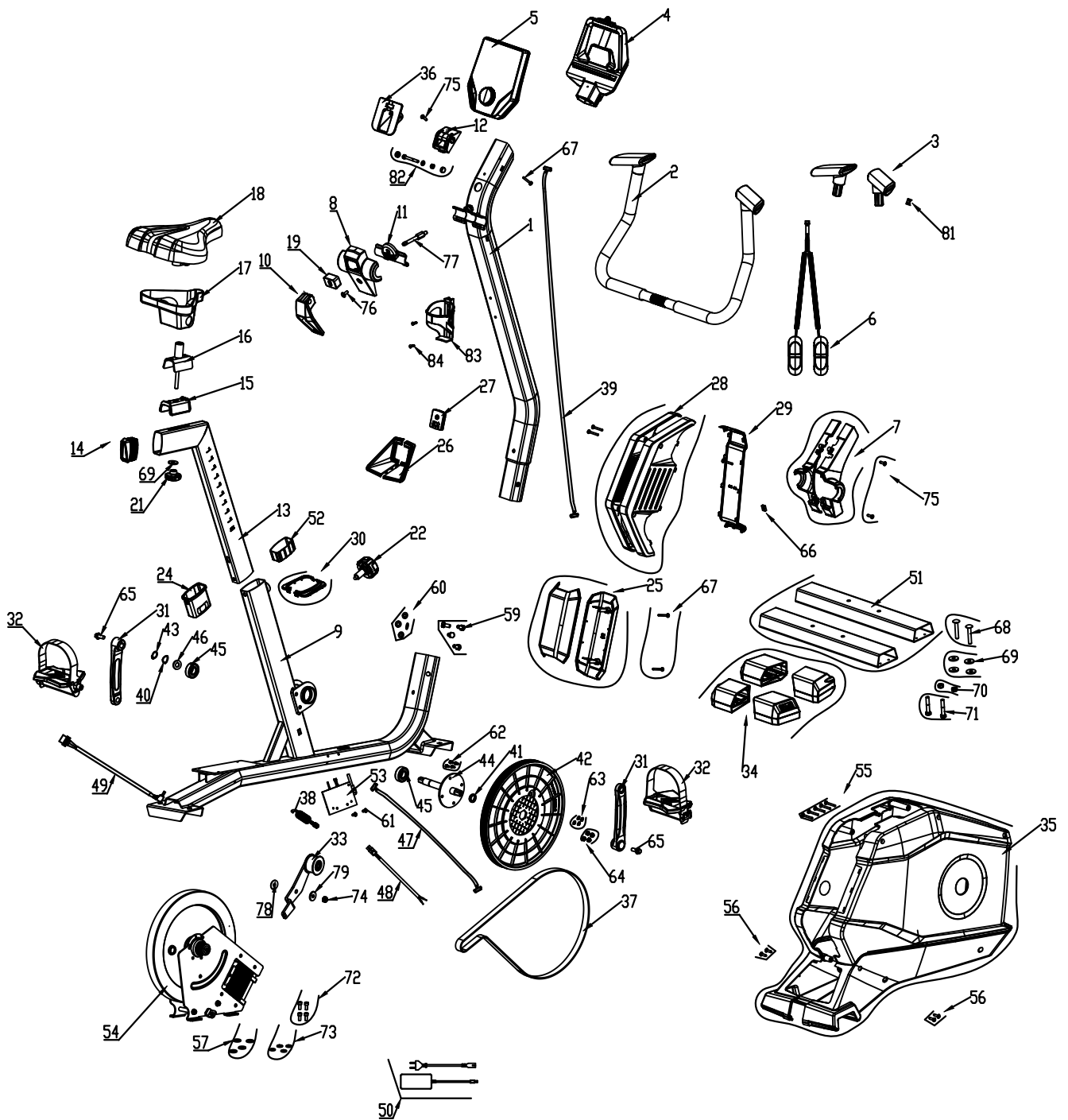
8.2 Parts List

No.	Name
1	Handlebar post
10	Quich release
11	Clamp
12	Computer supporter
13	Seat post
14	Seat post cap
15	Seat slide supporter
16	Seat slide
18	Saddle with cover
19	Handlebar adjuster block
2	Handlebar set
20	Sensor cable lower
21	Seat knob
22	Pop-pin
23	Sensor holder
24	Seat clamp
25F	Handlebar post cover front
25R	Handlebar post cover rear
26L	Small rear cover left
26R	Small rear cover right
27	Power supporter
28L	Rear cover L
28R	Rear cover R
29	Front cover
30L	Seat post cover left
30R	Seat post cover right
31L	Crank L
31R	Crank R
32	Pedal
32L	Pedal left
32R	Pedal right

33	Idler bar
34-FL	Front stabilizer cap L
34-FR	Front stabilizer cap R
34-RL	Rear stabilizer cap L
34-RR	Rear stabilizer cap R
35L	Main cover L
35R	Main cover R
36	Computer adapter plate
37	Belt 500J8
38	Idler spring
38-1	Bolt
38-2	Screw
39	Cable Upper 1200L
4	Tablet holder
40	wave washer
41	Axle sleeve
42	Pulley
43	C clip
44	Axle
45	Bearing
46	Flat washer
47	Cable lower
49	DC cable
5	Computer
50	Adaptor 24V 2,5A
51F	Front stabilizer
51R	Rear stabilizer
52	Seat bushing
53	PCBA
54	Flywheel set
58	screw
59	Hex bolt
6	Hand pulse
60	Flat washer

61	cross-cone head screw
62	Screw
63	Spring washer
64	Nylon nut
65	Screw
66	Screw holder
67	Screw
68	Screw
69	Flat washer
70	Nylon nut
71	Screw
72	Screw
73	Flat washer
74	Nylon nut
75	Screw
76	Screw
77	Bolt
78	Flat washer
79	Flat washer
7L	Handlebar cover L
7R	Handlebar cover R
8	Screw cover
80	Nylon nut
81	cross-cone head screw
82	Screw
82-1	Hex nut
82-2	Flat washer
82-3	Screw cap
83	Bottle holder
9	Frame

8.3 Exploded Drawing



Products from Kettler® are subject to strict quality control. However, if a fitness equipment purchased from us does not work perfectly, we take it very seriously and ask you to contact our customer service as indicated. We are happy to help you by phone via our service hotline.

Error Descriptions

Your fitness equipment is developed for long-term, high-quality training. However, should a problem arise, please first read the operating instructions. For further assistance, please contact your contract partner or call our service hotline. To ensure your problem is solved as quickly as possible, please describe the defect as exactly as possible.

In addition to the statutory warranty, we provide a warranty for every fitness equipment purchased from us according to the following provisions.

Your statutory rights are not affected.

Warranty

The warranty is the first/original buyer and/or any person who received a newly purchased product as a gift from the original buyer.

Warranty period

The warranty periods, shown on our web shop, begin on delivery of the fitness equipment. The respective warranty periods for your equipment can be found on its product website.

Repair Costs

According to our choice, there will either be a repair, a replacement of individual damaged parts or a complete replacement. Spare parts, that have to be mounted while assembling the equipment, have to be replaced by the warranty holder personally and are not a part of repair. After the expiration of the warranty period, the responsibility for parts costs, repair costs, installation costs and delivery costs lies with the warranty holder.

The terms of use are defined as follows:

- + Home use: solely for private use in private households up to 3 hours per day
- + Semi-professional use: up to 6 hours per day (e. g. rehabilitation centres, hotels, clubs, company gyms)
- + Professional use: more than 6 hours per day (e. g. commercial gyms)

Warranty Service

Within the warranty period, equipment which develops faults as a result of material or manufacturing defects, will be repaired or replaced at our discretion. Ownership of equipment or parts of equipment which have been replaced is transferred to us. The warranty period is not extended nor does a new warranty period begin following repair or replacement under the warranty.

Warranty Conditions

For the warranty to be valid, the following steps must be taken:

Please contact our customer service by email or phone. If the product under warranty has to be sent in for repair, the seller bears costs. After expiry of the warranty, the buyer bears the costs of transport and insurance. If the fault is covered by our warranty, you will receive a new or repaired equipment in return.

Warranty claims are invalid in case of damage resulting from:

- + misuse or improper handling
- + environmental influences (moisture, heat, electrical surge, dust, etc.)
- + failure to follow the current safety measures for the equipment
- + failure to follow the operating instructions
- + use of force (e. g. hitting, kicking, falling)
- + interventions which were not carried out by one of our authorized service centres
- + unauthorised repair attempts

Proof of Purchase and Serial Number

Please make sure that you are able to provide the appropriate receipt when claiming on your warranty. So that we can clearly identify the model of your equipment, and for the purposes of our quality control, you will need to give the serial number of your equipment, when contacting the service team. Where possible please have your serial number and your customer number ready when you call our service hotline. It will help us to deal with your request swiftly.

If you cannot find the serial number on your fitness equipment, our service team is at your disposal to offer further information.

Service outside of the Warranty Period

We are also happy to issue an individual cost estimate if there is a problem with your fitness equipment after the warranty has expired, or in cases which do not fall under the terms of the warranty, e. g. normal wear and tear. Please contact our customer service team to find a quick and cost-effective solution to your problem. In such a case you will be responsible for the delivery costs.

Communication

Many problems can be solved just by speaking to us as your specialist supplier. We know how important it is to you as a user of the fitness equipment to have problems solved quickly and simply, so you can enjoy working out with minimal interruption. For that reason, we also want to resolve your queries quickly and in a straightforward manner. Thus, please always keep your customer number and the serial number of the faulty equipment handy.

10 CONTACT

DE	DK	UK
<p>TECHNIK</p> <p>☎ +49 4621 4210-900 ☎ +49 4621 4210-698 ✉ technik@fitshop.de 🕒 Öffnungszeiten entnehmen Sie unserer Homepage.</p> <p>SERVICE</p> <p>☎ 0800 20 20277 (kostenlos) ☎ 04621 4210 - 0 ✉ info@fitshop.de 🕒 Öffnungszeiten entnehmen Sie unserer Homepage: https://stg.fit/statit6</p>	<p>TEKNIK OG SERVICE</p> <p>☎ 80 90 16 50 ☎ +49 4621 4210-945 ✉ info@fitshop.dk 🕒 Åbningstider kan findes på hjemmesiden: https://stg.fit/statit7</p>	<p>CUSTOMER SUPPORT</p> <p>☎ 00800 2020 2772 ☎ +494621 4210 944 ✉ info@fitshop.co.uk 🕒 You can find the opening hours on our homepage: https://stg.fit/statitc</p>
	FR	BE
	<p>TECHNIQUE & SERVICE</p> <p>☎ +33 (0) 189 530984 ☎ +49 4621 42 10 933 ✉ info@fitshop.fr 🕒 Vous trouverez les heures d'ouverture sur notre site Internet: https://stg.fit/statit4</p>	<p>TECHNIQUE & SERVICE</p> <p>☎ 02 732 46 77 ☎ +49 4621 4210 933 ✉ info@fitshop.be 🕒 Vous trouverez les heures d'ouverture sur notre site Internet: https://stg.fit/statit8</p>
ES	NL	INT
<p>TECNOLOGÍA Y SERVICIOS</p> <p>☎ 911 238 029 ✉ info@fitshop.es 🕒 Consulta nuestro horario de apertura en la página web: https://stg.fit/statit5</p>	<p>TECHNISCHE DIENST & SERVICE</p> <p>☎ +31 172 619961 ✉ service@fitshop.nl 🕒 De openingstijden vindt u op onze homepage: https://stg.fit/statit3</p>	<p>TECHNICAL SUPPORT & SERVICE</p> <p>☎ +49 4621 4210-944 ✉ service-int@fitshop.de 🕒 You can find the opening hours on our homepage: https://stg.fit/statita</p>
PL	AT	CH
<p>DZIAŁ TECHNICZNY I SERWIS</p> <p>☎ 22 307 43 21 ☎ +49 4621 42 10-948 ✉ info@fitshop.pl 🕒 Godziny otwarcia można znaleźć na stronie głównej: https://stg.fit/statit6</p>	<p>TECHNIK & SERVICE</p> <p>☎ 0800 20 20277 (Freecall) ☎ +49 4621 42 10-0 ✉ info@fitshop.at 🕒 Öffnungszeiten entnehmen Sie unserer Homepage: https://stg.fit/statitb</p>	<p>TECHNIK & SERVICE</p> <p>☎ 0800 202 027 ☎ +49 4621 42 10-0 ✉ info@fitshop.ch 🕒 Öffnungszeiten entnehmen Sie unserer Homepage: https://stg.fit/statit9</p>

Please find a detailed overview including address and opening hours for all stores of the Fitshop Group in Germany and abroad on the following website:

www.fitshop.com/en/stores

WE LIVE FITNESS

WEBSHOP AND SOCIAL MEDIA

Fitshop is Europe's largest specialist store for home fitness equipment with currently over 70 stores and one of the world's most renowned online mail order companies for fitness equipment. Private customers order via the 25 web shops in the respective national language or have their desired equipment assembled on site. In addition, the company supplies fitness studios, hotels, sports clubs, companies and physio practices with professional equipment for endurance and strength training.

Fitshop offers a wide range of fitness equipment from renowned manufacturers, high-quality in-house developments and comprehensive services, such as a build-up service and sports scientific advice before and after the purchase. The company employs numerous sports scientists, fitness trainers and competitive athletes.

Visit us also on our social media platforms or our blog!

	www.fitshop.co.uk www.fitshop.de/blog
---	--

	www.facebook.com/fitshopgroup
---	--

	www.instagram.com/fitshopgroup/
---	--

	www.youtube.com/@fitshop_uk
--	--

KETTLER

TAURUS

 cardiostrong

BODYCRAFT

 cardiojump

 **DUKEFITNESS**

DARWIN

KETTLE

TOUR 600