

RS1 / RS3 RECUMBENT LIFECYCLE® EXERCISE BIKES

OWNER'S MANUAL

M051-00K101-0001 Rev A



CORPORATE HEADQUARTERS

Columbia Centre III, 9525 West Bryn Mawr Avenue, Rosemont, Illinois 60018 • U.S.A.

847.288.3300 • FAX: 847.288.3703

Service phone number: 800.351.3737 (toll-free within U.S.A., Canada)

Global Website: www.lifefitness.com

INTERNATIONAL OFFICES

AMERICAS

North America Life Fitness, Inc.

Columbia Centre III
9525 West Bryn Mawr Avenue
Rosemont, IL 60018 U.S.A
Telephone: (847) 288 3300
Fax: (847) 288 3703
Service Email: customersupport@lifefitness.com
Service Website: www.lifefitness.com/parts
Sales/Marketing Email:
consumerproducts@lifefitness.com
Operating Hours: 7:00 am-6:00 pm (CST)

Brazil Life Fitness Brasil

Av. Cidade Jardim, 900
Jd. Paulistano
São Paulo, SP 01454-000
BRAZIL
SAC: 0800 773 8282
Telephone: +55 (11) 3095 5200
Fax: +55 (11) 3095 5201
Service Email: suporte@lifefitness.com.br
Sales/Marketing Email: lifefitness@lifefitness.com.br
Service Operating Hours:
9:00 - 17:00 (BRT) (Monday-Friday)
Store Operating Hours:
9:00 -20:00 (BRT) (Monday-Friday)
10:00 - 16:00 (BRT) (Saturday)

Latin America & Caribbean* Life Fitness Inc.

Columbia Centre III
9525 West Bryn Mawr Avenue
Rosemont, IL 60018 U.S.A
Telephone: (847) 288 3300
Fax: (847) 288 3703
Service Email: customersupport@lifefitness.com
Sales/Marketing Email:
consumerproducts@lifefitness.com
Operating Hours: 7:00am-6:00pm (CST)

EUROPE, MIDDLE EAST, & AFRICA (EMEA)

Netherlands & Luxemburg Life Fitness Atlantic BV

Bijdorpplein 25-31
2992 LB Barendrecht
THE NETHERLANDS
Telephone: (+31) 180 646 666
Fax: (+31) 180 646 699
Service Email: service.benelux@lifefitness.com
Sales/Marketing Email:
marketing.benelux@lifefitness.com
Operating Hours: 9.00h-17.00h (CET)

United Kingdom & Ireland Life Fitness UK LTD

Queen Adelaide
Ely, Cambs, CB7 4UB
Telephone: General Office (+44)
1353.666017
Customer Support (+44) 1353.665507
Fax: (+44) 1353.666018
Service Email: uk.support@lifefitness.com
Sales/Marketing Email: life@lifefitness.com
Operating Hours:
General Office: 9.00am - 5.00pm (GMT)
Customer Support: 8.30am - 5.00pm (GMT)

Germany & Switzerland Life Fitness Europe GMBH

Siemensstraße 3
85716 Unterschleißheim
GERMANY
Telephone: (+49) 89.31 77 51.0 (Germany)
(+41) 0848 000 901 (Switzerland)
Fax: (+49) 89.31 77 51.99 (Germany)
(+41) 043 818 07 20 (Switzerland)
Service Email: kundendienst@lifefitness.com
Sales/Marketing Email:
kundenberatung@lifefitness.com
Operating Hours: 08.30 -16.30h (CET)

Austria Life Fitness Austria

Vertriebs G.m.b.H.
Dückerstraße 7-9/3/36
1220 Vienna
AUSTRIA
Telephone: (+43) 1.61.57.198
Fax: (+43) 1.61.57.198.20
Service Email: kundendienst@lifefitness.com
Marketing/Sales Email:
kundenberatung@lifefitness.com
Operating Hours: 08:30-16.30.h (MEZ)

Spain Life Fitness IBERIA

C/Frederic Mompou 5,1ª^a
08960 Sant Just Desvern Barcelona
SPAIN
Telephone: (+34) 93.672.4660
Fax: (+34) 93.672.4670
Service Email: servicio.tecnico@lifefitness.com
Sales/Marketing Email: info.iberia@lifefitness.com
Operating Hours:
9.00h-18.00h (Monday-Thursday)
8.30h-15.00h (Friday)

Belgium Life Fitness Benelux NV

Parc Industriel de Petit-Rechain
4800 Verviers
BELGIUM
Telephone: (+32) 87 300 942
Fax: (+32) 87 300 943
Service Email: service.benelux@lifefitness.com
Sales/Marketing Email:
marketing.benelux@lifefitness.com
Operating Hours: 9.00h -17.00h (CET)

Italy

Life Fitness Europe GmbH

Siemensstraße 3
85716 Unterschleißheim
GERMANY
Telephone: (+39) 02-55378611
Service: 800438836 (In Italy)
Fax: (+39) 02-55378699
Service Email: assistenza@lifefitness.com
Sales/Marketing Email: info@lifefitnessitalia.com
Operating Hours: 08:30 - 16:30h (CET)

All Other EMEA Countries & Distributor Business C-EMEA*

Bijdorpplein 25-31
2992 LB Barendrecht
THE NETHERLANDS
Telephone: (+31) 180 646 644
Fax: (+31) 180 646 699
Service Email: service.db.cemea@lifefitness.com
Sales/Marketing Email:
marketing.db.cemea@lifefitness.com
Operating Hours: 9.00h-17.00h (CET)

ASIA PACIFIC (AP)

Japan Life Fitness Japan

Japan Nippon Brunswick Bldg., #8F
5-27-7 Sendagaya
Shibuya-Ku, Tokyo
Japan 151-0051
Telephone: (+81) 3.3359.4309
Fax: (+81) 3.3359.4307
Service Email: service@lifefitnessjapan.com
Sales/Marketing Email: sales@lifefitnessjapan.com
Operating Hours: 9.00h-17.00h (JAPAN)

China and Hong Kong Life Fitness Asia Pacific LTD

Room 2610, Miramar Tower
132 Nathan Road
Tsimshatsui, Kowloon
HONG KONG
Telephone: (+852) 2891.6677
Fax: (+852) 2575.6001
Service Email: HongKongEnquiry@lifefitness.com
Sales/Marketing Email:
ChinaEnquiry@lifefitness.com
Operating Hours: 9.00h-18.00h

All Other Asia Pacific countries & distributor business Asia Pacific*

Room 2610, Miramar Tower
132 Nathan Road
Tsimshatsui, Kowloon
HONG KONG
Telephone: (+852) 2891.6677
Fax: (+852) 2575.6001
Service Email: HongKongEnquiry@lifefitness.com
Sales/Marketing Email:
ChinaEnquiry@lifefitness.com
Operating Hours: 9.00h-18.00h

Also check www.lifefitness.com for local representation or distributor/dealer

FCC Warning - Possible Radio / Television Interference

Note: *This equipment has been tested and found to comply with the limits for a Class B digital device, pursuant to part 15 of the FCC rules. These limits are designed to provide reasonable protection against harmful interference in a residential installation. This equipment generates, uses and can radiate radio frequency energy, and if not installed and used in accordance with the user manual, may cause harmful interference to radio communications. However, there is no guarantee that the interference will not occur in a particular installation. If this equipment does cause harmful interference to radio or television reception, which can be determined by turning the equipment off and on, the user is encouraged to try to correct the interference by one or more of the following measures:*

- Reorient or relocate the receiving antenna.
- Increase the separation between the equipment and the receiver.
- Connect the equipment into an outlet on a circuit different from that to which the receiver is connected.
- Consult the dealer or an experienced radio/TV technician for help.

Class HB (Home): Domestic use. Class B is not suitable for therapeutic purposes.



CAUTION: Any changes or modifications to this equipment could void the product warranty.

Any service, other than cleaning or user maintenance, must be performed by an authorized service representative. There are no user-serviceable parts.

TABLE OF CONTENTS

1. Important Safety Instructions	5
2. RS1 / RS3 Recumbent Lifecycle® Exercise Bike Overview	7
3. Initial Setup	8
4. Main Features	10
4.1 Accessories	10
4.2 Contact Heart Rate	10
5 Service and Product Maintenance	11
5.1 Troubleshooting	11
5.2 Preventive Maintenance Tips	13
5.3 Preventive Maintenance Schedule	14
5.4 How to Obtain Product Service	14
6 Specifications	15
7 Warranty Information	16

© 2014 Life Fitness, A division of Brunswick Corporation. All Rights Reserved. Life Fitness is a registered trademark of Brunswick Corporation. Fitlinxx is a trademark of Fitlinxx, Inc. Polar is a registered trademark of Polar Electro, Inc. iPod® and iPhone® are registered trademarks of Apple, Inc. Gym Wipes® is a registered trademark of The 2XL Corporation. PureGreen 24 is a trademark of Pure Green.

This Operation Manual describes the functions of the following product:

Life Fitness Recumbent Lifecycle® Exercise Bike Models:
RS1 / RS3

Thank you for purchasing a Life Fitness Lifecycle exercise bike. Before using this product please read this user manual in its entirety to ensure that you have the knowledge to safely and properly operate all of the features on your bike. We hope you achieve the product experience on your bike that you expect, but if you do have any service issues please go to the How to Obtain Product Service section which will provide information on obtaining domestic and international product service. See Specifications in this manual for product specific features.

Statement of Purpose: The Life Fitness Lifecycle exercise bike is a machine that simulates the movements of riding a bicycle at various speeds and levels of resistance.

1 IMPORTANT SAFETY INSTRUCTIONS



CAUTION: Any changes or modifications to this equipment could void the product warranty.



WARNING: Read all instructions before using this product.



WARNING: Heart rate monitoring systems may be inaccurate. Over exercising may result in serious injury or death. If you feel faint stop exercising immediately.



WARNING: Any adjustment devices that could interfere with the user's movement should not be left projecting.



DANGER: To reduce the risk of electrical shock, always unplug this Life Fitness product before cleaning or attempting any maintenance activity.



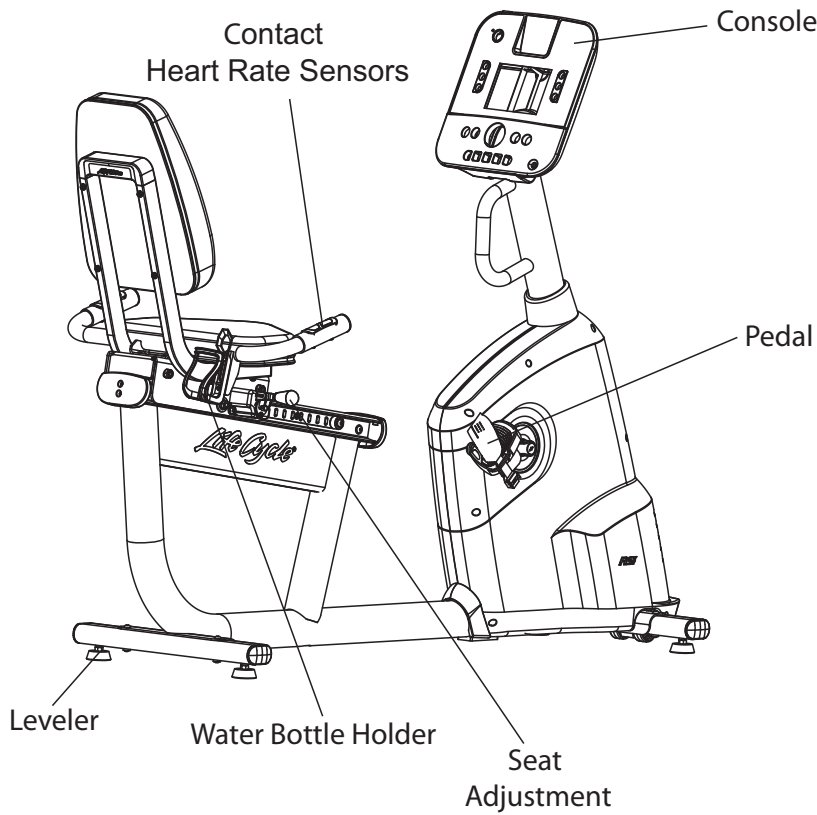
The heart rate hand pulse sensors provide an approximate heart rate value. The sensors are not medical devices and should not be used in any type of medical application.

- Before using this product, it is essential to read the ENTIRE operation manual and ALL instructions. The exercise bike is intended for use solely in the manner described in this manual.
- Always follow the console instructions for proper operation.
- This appliance is not intended for use by persons (including children) with reduced physical, sensory or mental capabilities, or lack of experience and knowledge, unless they have been given supervision or instruction concerning use of the appliance by a person responsible for their safety.
- Children should be supervised to ensure that they do not play with the appliance.
- Never insert objects into any openings in this product. If an object should drop inside, turn off the power, unplug the power cord from the outlet and carefully retrieve it. If the item cannot be reached, contact Life Fitness Customer Support Services.
- Never place liquids of any type directly on the unit, except in an accessory tray. Containers with lids are recommended.
- Do not use the exercise bike outdoors, near swimming pools or in areas of high humidity.
- Keep all loose clothing, shoelaces, and towels away from the bike pedals.
- Keep the area around the Lifecycle clear of any obstructions, including walls and furniture.
- Use caution when mounting or dismounting the Lifecycle.
- Never operate a Life Fitness product if it has been dropped, damaged, or even partially immersed in water. Contact Life Fitness Customer Support Services.
- Keep the power cord away from heated surfaces. Do not pull the equipment by the power cord or use the power cord as a handle.
- Do not run the power cord on the floor under or along side of the Lifecycle.
- Wear shoes with rubber or high-traction soles. Do not use shoes with heels, leather soles, cleats or spikes. Do not use the Lifecycle in bare feet.
- Do not tip the Lifecycle on its side during operation.
- Keep hands and feet away from all moving parts.
- To ensure proper functioning of this product, do not install attachments or accessories that are not provided or recommended by Life Fitness.

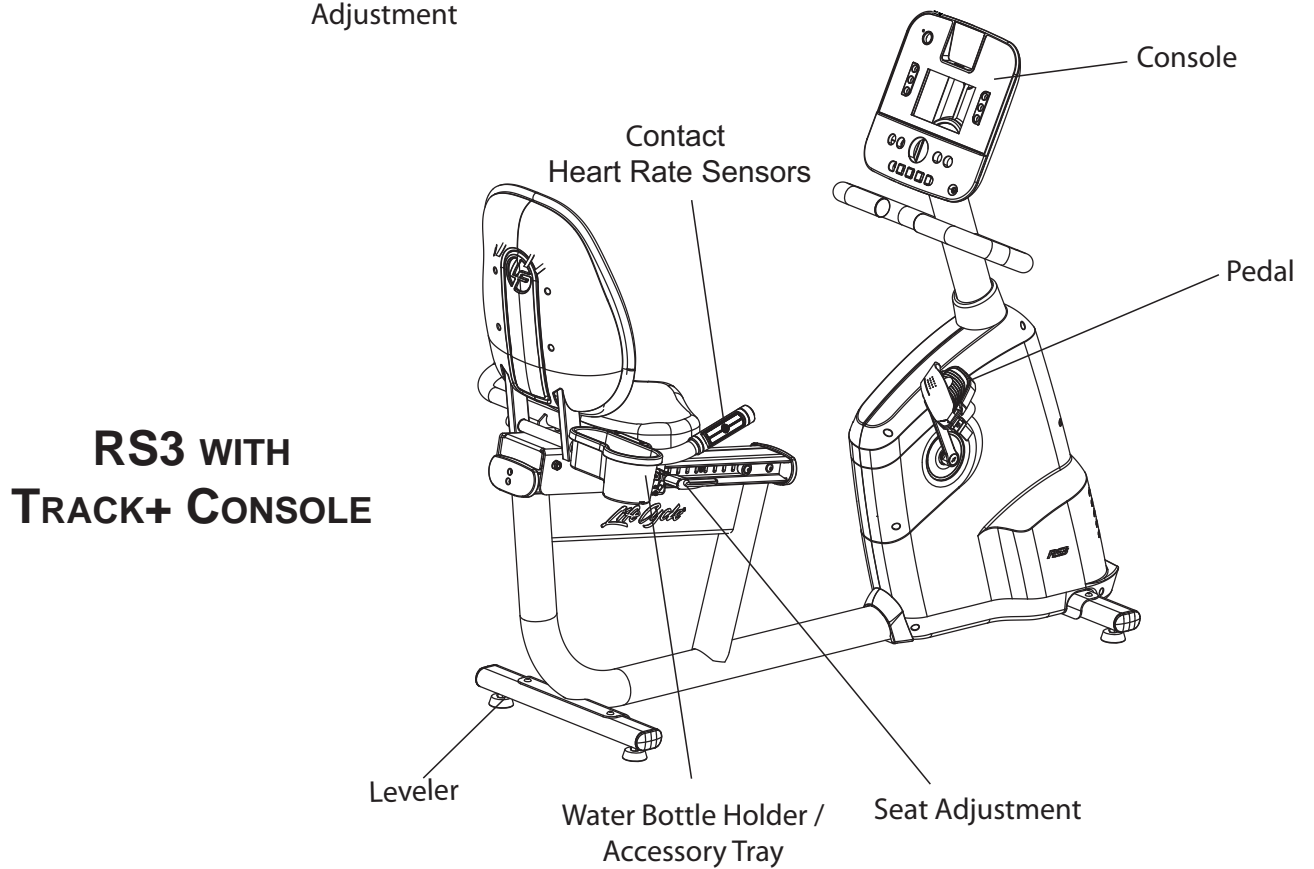
- Use this product in a well-ventilated area.
- Use this product on a solid, level surface.
- Make sure that all components are fastened securely.
- An appliance should never be left unattended when plugged in. Unplug from outlet when not in use, and before putting on or taking off parts.
- Do not operate under blanket or pillow. Excessive heating can occur and cause fire, electric shock, or injury to persons.
- Never operate this appliance if it has a damaged cord or plug, if it is not working properly, if it has been dropped or damaged, or dropped into water. Contact Life Fitness Customer Support Services.
- Never operate the appliance with the air openings blocked. Keep the air openings free of lint, hair, and the like.
- To disconnect, turn all controls to the off position, then remove plug from outlet.
- Allow LCD consoles to “normalize” with respect to temperature for one hour before plugging the unit in and/or using.

SAVE THESE INSTRUCTIONS FOR HOUSEHOLD USE.

2 RS1 / RS3 RECUMBENT LIFECYCLE® EXERCISE BIKE OVERVIEW



**RS1 WITH
TRACK+ CONSOLE**



**RS3 WITH
TRACK+ CONSOLE**

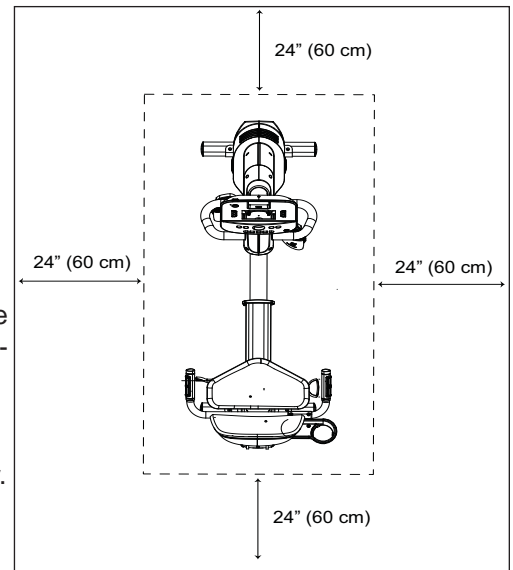
3 INITIAL SETUP

Read this entire User Manual before setting up the Lifecycle exercise bike.

WHERE TO PLACE THE LIFECYCLE EXERCISE BIKE

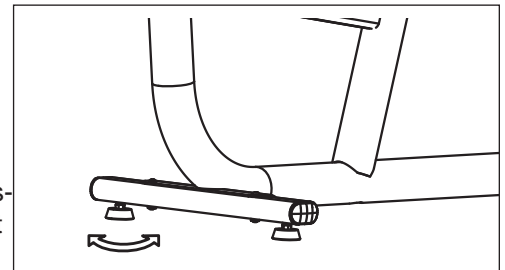
After following all safety instructions in Section 1, move the bike to the location where it will be used. Allow a minimum clearance of 24 inches (60 cm) around the product. See Section 6, *Specifications*, for full dimensions if needed. The Lifecycle exercise bike is equipped with front wheels so that it is simple to move the Lifecycle exercise bike to its final destination. Simply lift the back of the Lifecycle exercise bike to move.

CAUTION: Place the Lifecycle exercise bike in a dry place. Do not place in highly humid areas, like near swimming pools, as rust and corrosion may occur.



HOW TO STABILIZE THE LIFECYCLE EXERCISE BIKE

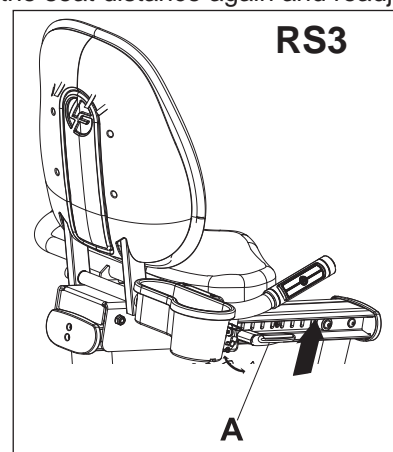
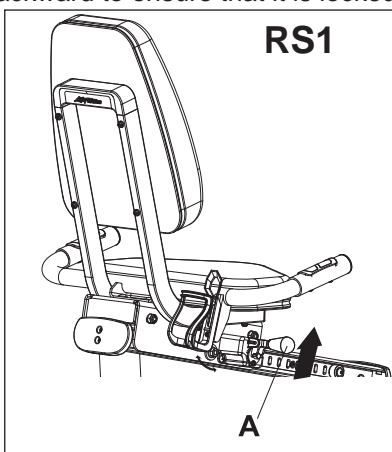
After placing the Lifecycle exercise bike in position, check the unit's stability by attempting to rock it in all directions. Any slight rocking indicates that the unit must be leveled. Determine which foot is not resting completely on the floor. Loosen the jam nut with an open-end 17mm wrench, and rotate the stabilizing foot to lower it. Verify that the bike is stable, and repeat the adjustment as necessary until the unit no longer rocks. Lock the adjustment by tightening the jam nut against the stabilizer bar.



HOW TO ADJUST THE SEAT TO ENSURE CORRECT BIOMECHANICAL POSITIONING

Proper seat positioning minimizes unnecessary leg muscle fatigue. To determine whether or not the seat requires adjustment, sit on it and place the balls of the feet on the pedals. The knee should bend slightly when the pedal is at the furthest point in its rotation, relative to the body. The user should be able to pedal without locking the knees or shifting in the seat.

Adjusting the seat: Lift the spring-loaded adjusting handle (A) located on the right side of the seat. Slide the seat forward or backward as necessary to the proper position and release the pin to complete engagement. Gently rock the seat forward and backward to ensure that it is locked into place. Check the seat distance again and readjust it if necessary.



Note: If the seat carriage rocks excessively, use a wrench to loosen the jam nut (A) on either side of the seat carriage. With another wrench, tighten the adjustment roller on the inside of the carriage until it is snug, but do not overtighten it. Then, while holding the roller in place, tighten the lock nut. Repeat the procedure for the other side of the seat carriage.

CAUTION: Do not attempt to adjust the seat while pedaling the bike. Doing so, or failing to insert the seat pin completely, may result in an uncomfortable workout or cause injury.

HOW TO ADJUST THE PEDAL STRAPS

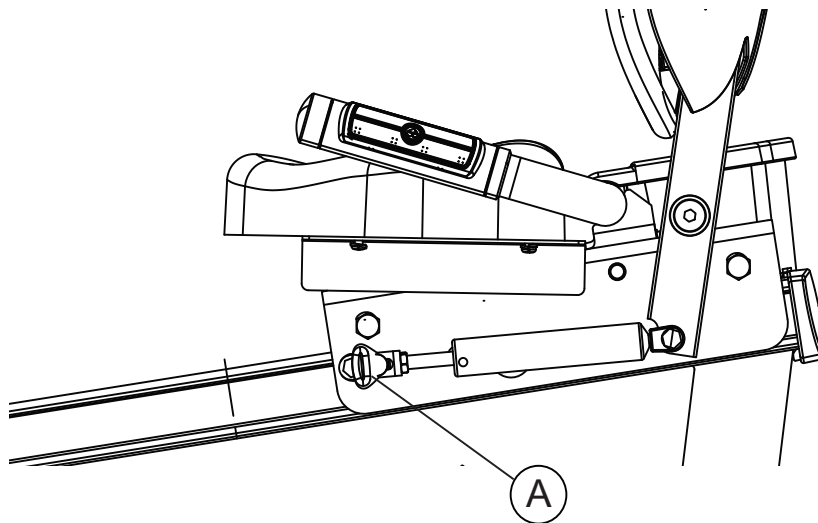
The bike pedal safety straps keep the user's shoes on the pedals during a workout. The straps should fit comfortably, but they also should be tight enough to prevent shoes from slipping at any point in the pedaling rotation. Before working out, the user should test and adjust the tightness of the straps.

The straps can be adjusted to fit a variety of shoe sizes. Each strap is held in place by a spring-loaded clip that is connected to the outer edge of each pedal. To tighten a strap, simply pull the loose end of the strap down. It automatically locks into place with each pull. To loosen a strap, press down on the top of the clip and pull the strap up. Release the clip to lock the strap into place. Test the adjustment, and change if necessary.



HOW TO ADJUST THE SEAT BACK (RS3 ONLY)

The RS3 has an adjustable seat back so you can choose the most comfortable back angle for your workout. To adjust the seat back, pull the lever (A) towards the rear of the bike. While pulling the lever, lean backwards or forwards. Once you reach a comfortable position, release the lever and the seat back will lock in place.



STARTING UP THE BIKE

See Section 6, Specifications, for power requirements. Insert the AC adapter into an electrical outlet that has been properly installed and grounded in accordance with all local codes and ordinances.

Insert the power adapter jack into the barrel plug on the bottom of the exercise bike. Then insert the power supply into the wall outlet. Make sure the cord is routed so that it doesn't bind and will not be walked on.

Check that the console lights up. If not, recheck the plug and wall connections and make sure the wall outlet has power.

Once the unit's power is on, the console display lights up, making it possible to select a workout. When using a self-powered unit, start pedaling to light up the console.

Note: For customers outside the United States, please use your country specific transformer to power the unit.

Note: The RS3 can be self-powered if using a Go Console. The Pause time is limited to 30 seconds. Workout data will be cleared after 30 seconds of inactivity. Extend the PAUSE time by plugging the power supply in to the Go Console.

4 MAIN FEATURES

4.1 ACCESSORIES

An accessory tray and water bottle holder (A) is mounted to the back [right] of the seat on the RS3 to provide storage for items such as water bottles and cell phones. A Water Bottle Holder (B) is mounted on the back [right] of the seat on the RS1. Additionally, an integrated Reading Rack (C) for supporting a book or magazine is located at the base of the console.

4.2 CONTACT HEART RATE

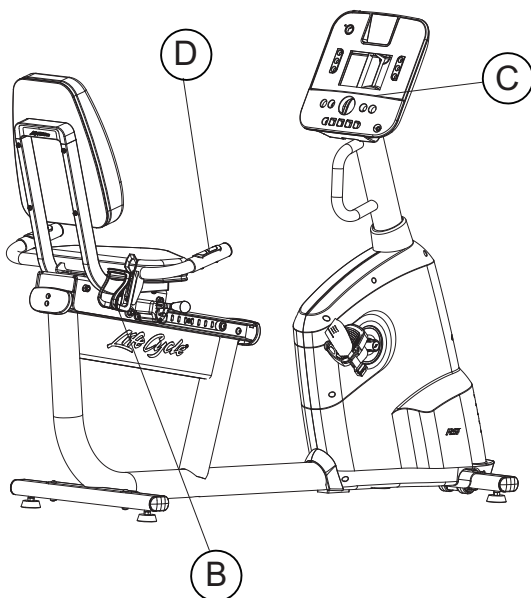
The hand pulse sensors (D) are a built-in heart rate monitoring system on the stationary handlebar. During a workout grasp the hand pulse sensors to monitor your heart rate. We recommend using the heart rate chest strap provided with your console during workouts and using the hand pulse sensors to only occasionally monitor your heart rate when not using the chest strap. In addition, to utilize heart rate controlled workouts the chest strap must be used. For the most accurate reading, use a comfortable grip. The console will show a heart rate reading after 15 to 20 seconds.

Hand pulse sensors can work differently with different body types. With some individuals it can be very difficult to extract a heart rate reading. Follow the below tips to improve the heart rate reading.

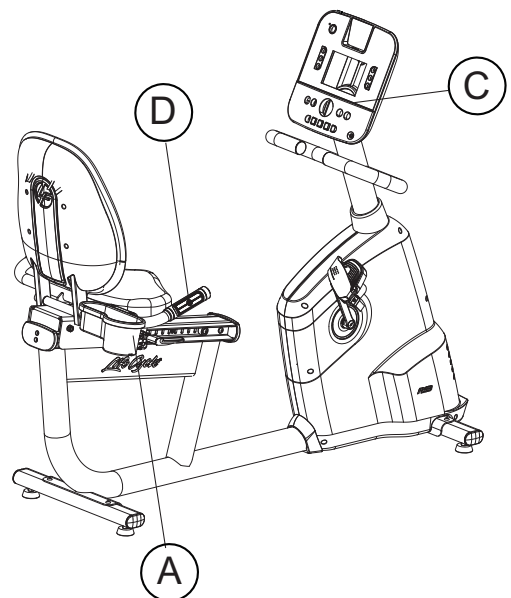
- Remove your hands from the heart rate sensors and wait for the heart rate display to clear. Grasp sensors again.
- Make sure hands are fully contacting the sensors.
- Dry hands periodically during use.
- Limit movement.
- Clean hand pulse sensors.

Note: The heart rate hand pulse sensors provide an approximate heart rate value. The sensors are not medical devices and should not be used in any type of medical application.

RS1 with Track+ Console



RS3 with Track+ Console



5 SERVICE AND PRODUCT MAINTENANCE

5.1 TROUBLESHOOTING

PROBLEM	CAUSE / SOLUTION
<i>No power.</i>	Check to see that the power cord is fully plugged into the back of the Lifecycle exercise bike and into the wall. Make sure the power cord is fully seated into the back of the product.
	You may be in “Energy Saver Mode”. Press the “Energy Saver” button to see if the console turns on.
	Verify that all customer assembly connections are working properly. Unplug and re-plug each connection to verify. Look to see if any cables were pinched during assembly.
<i>Clicking noise while pedaling.</i>	Use the wrench that was included with the Lifecycle exercise bike to ensure the pedals are assembled as tight as possible.
<i>Hear noise as speed increases.</i>	It is normal for any mechanical device to become louder as speed increases.
<i>Can't feel a resistance change at the beginning levels.</i>	The resistance curve of the Lifecycle exercise bike is designed so that you can feel a greater difference in resistance at higher levels.
<i>Wireless heart rate is not working.</i>	<p>Potential reasons for the wireless heart rate not to work properly include:</p> <ul style="list-style-type: none"> ▪ The wireless heart rate is turned OFF in the Settings Menu. Enter the Settings Menu and verify that WIRELESS HR is turned ON. ▪ There is poor contact between the telemetry heart rate strap and the skin. ▪ There is electrical interference from electrical appliances with the telemetry heart rate strap from fluorescent lights, kitchen appliances, etc. Move the product to a different location or move electrical appliances away from the product. ▪ The battery in the Heart Rate Telemetry Strap needs to be replaced. The battery is a CR2032 (3V).
<i>“OFF” is displayed in the LEVEL window on the console.</i>	Turn the unit off and then on again.
	If power cycling the product did not work, there is a problem with the resistance system. Contact Customer Support Services for assistance.
<i>Contact heart rate sensors are not reading my heart rate correctly.</i>	Be sure to grasp the sensors firmly and keep hands still. If heart rate seems substantially higher or lower than expected, remove hands from sensors until heart rate disappears.
	<p>Tips for contact heart rate:</p> <ol style="list-style-type: none"> 1. Dry hands to prevent slipping on the sensors. 2. Apply hands to all four sensors (two in each hand). 3. Grasp sensors firmly. 4. Apply constant pressure to the sensors. 5. May need to wait longer for heart rate to display. <p>Note: The heart rate hand pulse sensors provide an approximate heart rate value. The sensors are not medical devices and should not be used in any type of medical application.</p>

TROUBLESHOOTING

PROBLEM	CAUSE / SOLUTION
<p><i>Seat wobbles.</i></p>	<p>The seat carriage can be adjusted if it is too tight and does not slide freely or if it is too loose and rocks excessively.</p> <p>Use a wrench to loosen the jam nut on either side of the seat carriage to adjust the fit of the carriage when there is excessive rocking. With another wrench, tighten the adjustment roller on the inside of the carriage until it is snug. Do not overtighten. Then, while holding the roller in place, tighten the lock nut. Repeat the procedure for the other side of the carriage.</p> <p>Use a wrench to loosen the jam nut on either side of the seat carriage to adjust the fit of the carriage when it does not slide freely. With another wrench, loosen the adjustment roller on the inside of the carriage until it can move freely. Do not excessively loosen. Then, while holding the roller in place, tighten the lock nut. Repeat the procedure for the other side of the carriage.</p>
<p><i>The mesh back material is loose.</i></p>	<p>The straps that hold the seat mesh to the seat frame must be tightened. Use a Phillips screwdriver to remove the four screws that hold the rear plastic seat cover in place. Determine which straps are loose. Remove the loose end of the strap going through the tension clip loop. To tighten the strap, pull it in the opposite direction of the clip loop. Tension all straps as needed. Reinstall the rear plastic seat cover.</p>
<p><i>iPod is not recognized.</i> <i>Note: Applies to Track+ Console only.</i></p>	<p>This is displayed if your version of the iPod Player is not supported by the bike. It may also be displayed if the connector on the bike or iPod is damaged.</p>
<p><i>iPod is not charging while in Energy Saver mode.</i> Note: <i>Applies to Track+ Console only.</i></p>	<p>Your iPod will not charge if the bike enters Energy Saver mode. This is normal.</p>
<p><i>"Low Battery" message is displayed on the console.</i> Note: <i>Applies to Track+ Console only.</i></p>	<p>The console has an internal battery that keeps the real time clock functioning if the bike is unplugged. This real time clock is only needed if you use the Life Fitness LFconnect website. You do not need to replace the battery if you do not use the website. Contact Customer Service for guidance on how to change the battery. The battery is a CR1632 (3V).</p>
<p><i>When I try to save a workout on the USB stick I receive the following message: UNABLE TO SAVE SEE MANUAL.</i> Note: <i>Applies to Track+ Console only.</i></p>	<p>The console may not have recognized the USB stick. Try unplugging the USB stick and plugging it back in.</p> <p>The USB stick may be full.</p> <p>The USB stick may not be compatible with the product.</p> <p>Try using a different USB stick.</p>

5.2 PREVENTIVE MAINTENANCE TIPS

The Life Fitness Lifecycle exercise bike is backed by the engineering excellence and reliability of Life Fitness and is one of the most rugged and trouble-free pieces of exercise equipment on the market today.

Note: *Safety of the equipment can be maintained only if the equipment is examined regularly for damage or wear. Keep the equipment out of use until the defective parts are required or replaced. Pay special attention to parts that are subject to wear, as outlined below.*

The following preventive maintenance tips will keep the Life Fitness exercise bike operating at peak performance:

- Locate the Life Fitness Bike in a cool, dry place.
- Keep the pedal straps fastened securely when using the Bike.
- Clean the top surface of the pedals regularly.
- Keep the display console free of fingerprints and salt build-up caused by sweat.
- Clean the display console and all exterior surfaces with an approved or compatible cleaner (see *Life Fitness Approved Cleaners*) and a soft cotton cloth.
- Long fingernails may damage or scratch the surface of the console; use the pad of the finger to press the selection buttons on the console.
- Clean the housing thoroughly on a regular basis.

LIFE FITNESS Approved Cleaners *(United States Availability Only)*

Two preferred cleaners have been approved by LIFE FITNESS reliability experts: PureGreen 24 and Gym Wipes. Both cleaners will safely and effectively remove dirt, grime and sweat from equipment. PureGreen 24 and the Antibacterial Force formula of Gym Wipes are both disinfectants that are effective against MRSA and H1N1. PureGreen 24 is available in a spray. Apply the spray to a microfiber cloth and wipe down the equipment. Use PureGreen 24 on the equipment for at least two minutes for general disinfection purposes and at least 10 minutes for fungus and viral control. Gym Wipes are large, durable pre-moistened wipes to use on the equipment before and after workouts. Use Gym Wipes on the equipment for at least two minutes for general disinfection purposes.

Contact Customer Support Services to order these cleaners (1-800-351-3737 or Email: customersupport@lifefitness.com).

LIFE FITNESS Compatible Cleaners

Mild soap and water or a mild non-abrasive household cleaner can also be used to clean the display and all exterior surfaces. Use a soft microfiber cloth only. Apply the cleaner to the microfiber cloth before cleaning. DO NOT use ammonia or acid based cleaners. DO NOT use abrasive cleaners. DO NOT use paper towels. DO NOT apply cleaners directly to the equipment surfaces.

5.3 PREVENTIVE MAINTENANCE SCHEDULE

Item	Weekly	Monthly	Bi-Annually
Console Overlay	Clean		Inspect
Bottle Holders	Clean	Inspect	
Console Mounting Bolts			Inspect
Frame	Clean		Inspect
Plastic Covers	Clean	Inspect	Inspect
Lifepulse Sensors	Clean / Inspect		
Pedals and Straps	Clean	Inspect	

5.4 HOW TO OBTAIN PRODUCT SERVICE

1. Please contact your dealer or Life Fitness Customer Service at 1-800-351-3737.
2. Verify the symptom and review the operating instructions and troubleshooting matrix.
3. Locate and document the serial number of the unit. The serial number plate is located on the back [right] of the frame. Please also have proof of purchase information available.

6 SPECIFICATIONS

Designed Use:	Home
Max User Weight:	300 lbs / 136 kg (RS1) 400 lbs / 181 kg (RS3)
Pedal Size:	4.5 in / 11.5 cm
Drive Type:	Poly -V belt-drive
Power Requirements:	120 Volt (U.S.), 220-240 Volt (International High Voltage) Note: <i>The RS3 can be self-powered with the Go Console.</i>
Accessories:	Water Bottle Holder & Reading Rack (RS1) Deluxe Accessory Tray & Reading Rack (RS3)
Resistance System:	Eddy Current (RS1) Generator (RS3) Note: <i>Both resistance systems are adjustable by means other than pedaling speed.</i>

Assembled Dimensions

	RS1	RS3
Length	66.5 in / 168.9 cm	64.4 in / 163.6 cm
Width	25.5 in / 64.8 cm	26.8 in / 68.1 cm
Height	51.5 in / 130.8 cm	51.5 in / 130.8 cm
Weight	133 lbs / 60.35 kg	154 lbs / 70 kg

Shipped Dimensions

Length	67 in / 166.8 cm	67 in / 166.8 cm
Width	17.5 in / 42.5 cm	17.5 in / 42.5 cm
Height	30.5 in / 77.8 cm	30.5 in / 77.8 cm
Weight	157 lbs / 71 kg	191 lbs / 86.6 kg

7 WARRANTY INFORMATION

Model	Limited Lifetime	5 Years	1 Year
RS1/ RS3 Recumbent Lifecycle Base	Frame	Electrical Parts & Mechanical Parts	Labor

WHAT IS COVERED.

This LIFE FITNESS consumer product ("Product") is warranted to be free of all defects in material and workmanship.

WHO IS COVERED.

The original purchaser or any person receiving a newly purchased Product as a gift from the original purchaser. Warranty will be voided on subsequent transfers.

HOW LONG IS IT COVERED.

Residential: All electrical and mechanical components and labor are covered, after the date of purchase, as listed on the chart above.

Non-Residential: Warranty void (*this Product is intended for residential use only*).

WHO PAYS TRANSPORTATION & INSURANCE FOR SERVICE.

If the Product or any covered part must be returned to a service facility for repairs, We, LIFE FITNESS, will pay all shipping and insurance charges during the warranty period (*within the United States only*). The purchaser is responsible for shipping and insurance charges after the warranty has expired.

WHAT WE WILL DO TO CORRECT COVERED DEFECTS.

We will ship to you any new or rebuilt replacement part or component, or, at our option, replace the Product. Such replacement parts are warranted for the remaining portion of the original warranty period.

WHAT IS NOT COVERED.

Any failures or damage caused by unauthorized service, misuse, accident, negligence, improper assembly or installation, debris resulting from any construction activities in the Product's environment, rust or corrosion as a result of the Product's location, alterations or modifications without our written authorization or by failure on your part to use, operate and maintain the Product as set out in your User Manual ("Manual"). All terms of this warranty are void if this Product is moved beyond the continental borders of the United States of America (*excluding Alaska, Hawaii and Canada*) and are then subject to the terms provided by that country's local authorized LIFE FITNESS representative.

WHAT YOU MUST DO.

Retain proof of purchase (our receipt of the attached registration card assures registration of purchase information but is not required); use, operate and maintain the Product as specified in the Manual; notify the place of purchase of any defect within 10 days after discovery of the defect; if instructed, return any defective part for replacement or, if necessary, the entire Product for repair. LIFE FITNESS reserves the right to decide whether or not a product is to be returned for repair.

PRODUCT REGISTRATION.

Register at www.lifefitness.com/home/product-registration.html. Our receipt assures that your name, address, and date of purchase are on file as a registered owner of the Product. Being a registered owner assures coverage in the event you lose your proof of purchase. Please retain your proof of purchase, such as your bill of sale or receipt.

USER MANUAL.

It is VERY IMPORTANT THAT YOU READ THE MANUAL before operating the Product. Remember to perform the periodic maintenance requirements specified in the Manual to assure proper operation and your continued satisfaction.

HOW TO GET REPLACEMENT PARTS & SERVICE.

Refer to page one of this manual for your local service contact information. Reference your name, address and the serial number of your Product (*consoles and frames may have separate serial numbers*). They will tell you how to get a replacement part, or, if necessary, arrange for service where your Product is located.

EXCLUSIVE WARRANTY.

THIS LIMITED WARRANTY IS IN LIEU OF ALL OTHER WARRANTIES OF ANY KIND EITHER EXPRESSED OR IMPLIED, INCLUDING BUT NOT LIMITED TO THE IMPLIED WARRANTIES OF MERCHANTABILITY AND FITNESS FOR A PARTICULAR PURPOSE, AND ALL OTHER OBLIGATIONS OR LIABILITIES ON OUR PART. We neither assume nor authorize any person to assure for us any other obligation or liability concerning the sale of this Product. Under no circumstances shall we be liable under this warranty, or otherwise, of any damage to any person or property, including any lost profits or lost savings, for any special, indirect, secondary, incidental or consequential damages of any nature arising out of the use of or inability to use this Product. Some states do not allow the exclusion or limitation of implied warranties or of liability for incidental or consequential damages, so the above limitations or exclusions may not apply to you. Warranties may vary outside the U.S. Contact Life Fitness for details.

CHANGES IN WARRANTY NOT AUTHORIZED.

No one is authorized to change, modify or extend the terms of this limited warranty.

EFFECT OF STATE LAWS.

This warranty gives you specific legal rights and you may have other rights which vary from state to state.