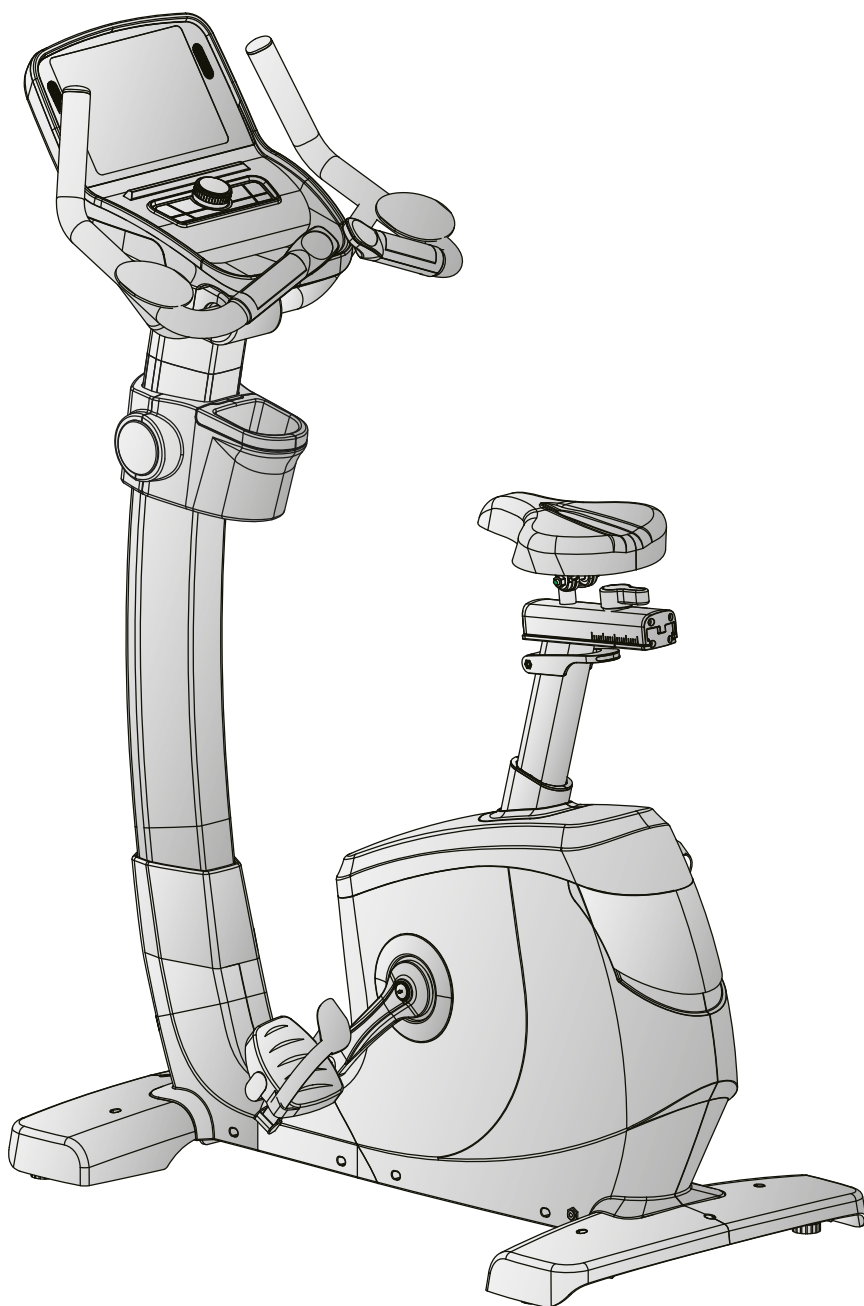


# TAURUS®

## Assembly and Operating Instructions



max. 180 kg



~ 90 Min. 



 58 kg

L 122 | W 61 | H 154

TFUB99TFT.01.05

Art. No. TF-UB99-TFT

**Upright Bike UB9.9 Touch**



# Content

<b>1</b>	<b>GENERAL INFORMATION</b>	<b>7</b>
1.1	Technical Data	7
1.2	Personal Safety	8
1.3	Electrical Safety	9
1.4	Set-Up Place	10
<b>2</b>	<b>ASSEMBLY</b>	<b>10</b>
2.1	General Instructions	10
2.2	Scope of Delivery	11
2.3	Assembly	12
<b>3</b>	<b>OPERATING INSTRUCTIONS</b>	<b>20</b>
3.1	Console Display	20
3.2	Button Functions	22
3.3	Programmes	22
3.3.1	Quick Start	22
3.3.2	Target programmes	23
3.3.3	Pre-set programmes	23
3.3.4	User-defined programmes	26
3.3.5	Heart rate-oriented programmes	27
3.3.6	Watt programme	28
3.4	Fitness Test	29
3.5	Media	30
3.6	Bluetooth and Fitness Apps	31
<b>4</b>	<b>STORAGE AND TRANSPORT</b>	<b>32</b>
4.1	General Instructions	32
4.2	Transportation Wheels	32
<b>5</b>	<b>TROUBLESHOOTING, CARE AND MAINTENANCE</b>	<b>33</b>
5.1	General Instructions	33
5.2	Faults and Fault Diagnosis	33
5.3	Maintenance and Inspection Calendar	34
<b>6</b>	<b>DISPOSAL</b>	<b>34</b>
<b>7</b>	<b>RECOMMENDED ACCESSORIES</b>	<b>35</b>

<b>8</b>	<b>ORDERING SPARE PARTS</b>	<b>36</b>
8.1	Serial Number and Model Name	36
8.2	Parts List	37
8.3	Exploded Drawing	41
<b>9</b>	<b>WARRANTY</b>	<b>42</b>
<b>10</b>	<b>CONTACT</b>	<b>44</b>

## Dear customer,

Thank you for choosing a high-quality equipment of the brand Taurus®. Taurus® offers sports and fitness equipment for the sophisticated home sport and the equipment of fitness studios and business customers. With Taurus® fitness equipment, the focus is on what sport is all about: maximum performance! Therefore, the equipment is developed in close consultation with athletes and sports scientists. Because athletes know best what makes perfect fitness equipment.

Further information can be found at [www.sport-tiedje.com](http://www.sport-tiedje.com).

### Intended Use

The equipment may only be used for its intended purpose.

The equipment is suitable for home use and semi-professional use (e.g. hospitals, clubs, hotels, schools, etc.). The equipment is not suitable for commercial or professional use (e.g. fitness studio).

## Legal Notice

Sport-Tiedje GmbH  
Europe's No. 1 for home fitness

International Headquarters  
Flensburger Straße 55  
24837 Schleswig  
Germany

Management:  
Christian Grau  
Sebastian Campmann  
Dr. Bernhard Schenkel  
No. HRB 1000 SL  
Local Court Flensburg  
European VAT Number: DE813211547

## Disclaimer



©2011 Taurus® is a registered brand of the company SportTiedje GmbH. All rights reserved. Any use of this trademark without the explicit written permission of Sport-Tiedje is prohibited.

Product and manual are subject to change. Technical data can be changed without advance notice.

## ABOUT THIS MANUAL

Please carefully read the entire manual before installation and first use. The manual will help you to quickly set up the system and explains how to safely use it. Make sure that all persons exercising with the equipment (especially children and persons with physical, sensory, mental or motor disabilities) are informed about this manual and its contents in advance. In case of doubt, responsible persons must supervise the use of the equipment.

Due to ongoing changes and software optimisations, the manual may have to be updated. If you notice any discrepancies during assembly or use, please refer to the manual uploaded to the webshop. The latest manual is always available there.

This equipment has been manufactured according to the latest safety knowledge. As far as possible, potential safety hazards which could cause injury have been eliminated. Make sure to carefully follow the instructions and that all parts are securely in place. If required, read through the instructions again to correct any mistakes.



Please pay close attention to the safety and maintenance instructions given here. The contract partner cannot be held liable for damage to health, accidents or damage to the equipment when it is not used in accordance with these instructions.

The following safety instructions may appear in this manual:

► **ATTENTION**

This notice indicates potentially hazardous situations which, if not avoided, may result in property damage.

⚠ **CAUTION**

This notice indicates potentially hazardous situations which, if not avoided, may result in slight or minor injuries!

⚠ **WARNING**

This notice indicates potentially hazardous situations which, if not avoided, may result in death or serious injuries!

⚠ **DANGER**

This notice indicates potentially hazardous situations which, if not avoided, will result in death or serious injuries!

ⓘ **NOTICE**

This notice indicates further useful information.

Retain these instructions in a safe place for future reference, maintenance or when ordering replacement parts.

## 1.1 Technical Data

### TFT Display:

- + Training duration in min.
- + Speed in km/h
- + Training distance in km
- + Calories in kcal
- + Resistance level
- + Heart rate (using the hand pulse sensors or a chest strap)
- + RPM
- + Watts

Brake system:	Electro-magnetic induction brake
Resistance levels:	32
Flywheel mass:	10 kg

Wattage	
Adjustable range in the watt programme:	10-350 W
Min. and max. Watt at 60 RPM:	20-300 W
Min. and max. Watt at 100 RPM:	44-497W

User memory:	4
Programmes in total:	44
Quick Start programmes:	1
Target programmes:	3
Pre-set programmes:	32
User defined programmes:	4 (one per user)
Heart rate programmes:	3
Watt programmes:	1

Fitness test:	1
---------------	---

### Weight and Dimensions:

Package dimensions (LxWxH):	125 cm x 37 cm x 80 cm
Set-up dimensions (LxWxH):	122 cm x 61 cm x 154 cm
Article weight (gross, incl. packaging):	64.3 kg
Artikelgewicht (net, without packaging):	60 kg

Maximum user weight:	180 kg
----------------------	--------

## 1.2 Personal Safety

### **DANGER**

- + Before you start using the equipment, you should consult your physician that this type of exercise is suitable for you from a health perspective. Particularly affected are persons who: have a hereditary disposition to high blood pressure or heart disease, are over the age of 45, smoke, have high cholesterol values, are overweight and/or have not exercised regularly in the past year. If you are under medical treatment that affects your heart rate, medical advice is absolutely essential.
- + Note that excessive training can seriously endanger your health. Please also note that heart rate monitoring systems can be inaccurate. If you notice any signs of weakness, nausea, dizziness, pain, shortness of breath, or other abnormal symptoms, stop exercising immediately and seek advice from your doctor if necessary.

### **WARNING**

- + This equipment may not be used by children under the age of 14.
- + Children should not be allowed unsupervised access to the equipment.
- + Persons with disabilities must have a medical license and must be under strict observation when using the equipment.
- + The equipment is strictly for use by one person at a time.
- + If your equipment provides a safety key, the clip of the safety key must be attached to your clothing before starting your training. In the event of a fall, the EMERGENCY STOP of the equipment can be initiated.
- + Keep your hands, feet and other body parts, hair, clothing, jewellery and other objects well clear of moving parts.
- + During use, wear suitable sports clothing rather than loose or baggy clothing. When wearing sports shoes, make sure they have suitable soles, preferably made of rubber or other non-slip materials. Shoes with heels, leather soles, studs or spikes are unsuitable. Never exercise barefoot.

### **CAUTION**

- + If your equipment needs to be connected to the power supply with a mains cable, make sure that the cable is not a potential tripping hazard.
- + Make sure that nobody is within the range of motion of the equipment during training so as not to endanger you or other persons.

### **ATTENTION**

- + Do not insert any objects of any kind into the openings of the device.



## 1.3 Electrical Safety

### **DANGER**

- + In order to reduce the risk of an electric shock, always unplug the equipment from the mains socket immediately after your workout, before assembly or dismantling, and before maintenance or cleaning. Do not pull on the cable.

### **WARNING**

- + Do not leave the equipment unattended while the mains cable is plugged into the mains socket. During your absence, the mains cable must be removed from the mains socket to prevent improper use by third parties or children.
- + If the mains cable or plug is damaged or defective, contact your contract partner. Until repair, the equipment must not be used.

### **ATTENTION**

- + The equipment requires a mains connection of 220-230 V with 50 Hz mains voltage.
- + The equipment may only be connected directly to an earthed socket using the supplied mains cable. Extension cables must conform to VDE guidelines. Always completely unwind the mains cable.
- + The socket must be protected by a fuse with a minimum fuse rating of "16 A, slow blow".
- + Do not make any changes to the mains cable or the mains plug.
- + Keep the mains cable away from water, heat, oil and sharp edges. Do not route the mains cable underneath the equipment or under a carpet or rug, and do not place any objects on top of it.
- + If your purchased item is equipped with a TFT console, software updates must be carried out regularly. Follow the instructions on the console to perform the update(s).
- + The software systems on gym equipment with TFT consoles are set up only for the pre-installed apps. Do not install any additional apps.

### **NOTICE**

- + The pre-installed apps on TFT consoles are produced and provided by external manufacturers. Sport-Tiedje does not take any responsibility for the availability, functionality or contents of these apps.

## 1.4 Set-Up Place



### **WARNING**

- + Do not place the equipment in main corridors or escape routes.



### **CAUTION**

- + Choose a location in which to place the equipment such that there is enough free space/clearance to the front, the rear and to the sides of the equipment.
- + The training room should be well ventilated during training and not be exposed to any draughts.
- + Choose the place in which to set up the equipment such that there is enough free space/clearance to the front, the rear and to the sides of the equipment.
- + The set-up and mounting surface of the equipment should be flat, loadable and solid.



### **ATTENTION**

- + The device may only be used in one building, in sufficiently tempered and dry rooms (ambient temperatures between 10°C and 35°C). The equipment should not be used outdoors or in rooms with high humidity (over 70%) like swimming pools.
- + A floor protective mat/equipment underlay can help to protect high-quality floor coverings (parquet, laminate, cork, carpets) from dents and sweat and can help to level out slight unevenness.

## 2

## ASSEMBLY

---

### 2.1 General Instructions



### **DANGER**

- + Do not leave any tools, packaging materials such as foils or small parts lying around, as otherwise there is a danger of suffocation for children. Keep children away from the equipment during assembly.



### **WARNING**

- + Pay attention to the instructions attached to the equipment in order to reduce the risk of injuries.



### **CAUTION**

- + Ensure to have sufficient room for movement in each direction during assembly.
- + The assembly of the equipment must be carried out by at least two adults. If in doubt, seek the help of a third technically skilled person.



### **ATTENTION**

- + To prevent damage to the equipment and the floor, assemble the equipment on a mat or packaging board.



### **NOTICE**

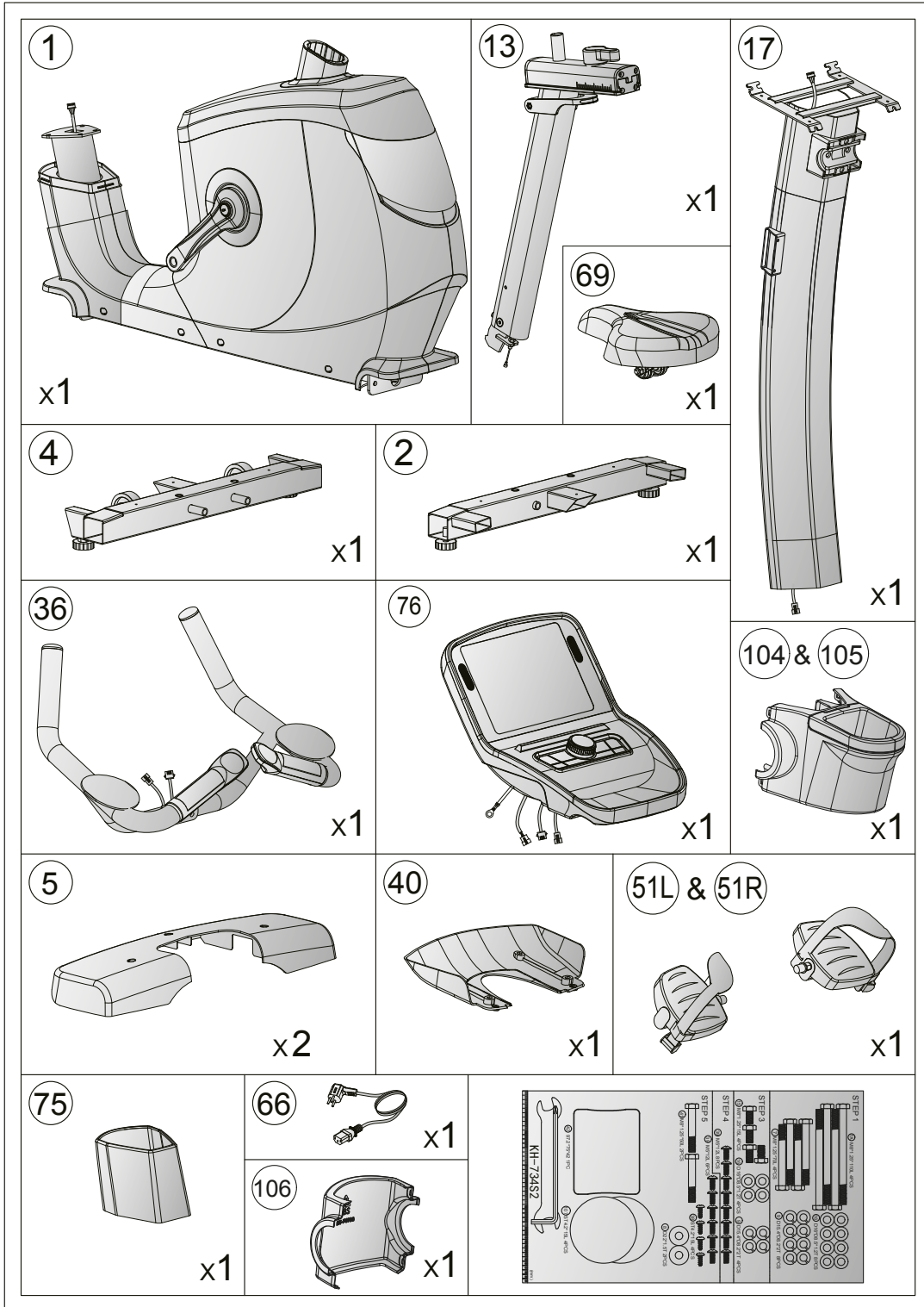
- + In order to make the assembly as simple as possible, some screws and nuts to be used can already be pre-assembled.
- + Ideally, assemble the equipment at its later set-up place.

## 2.2 Scope of Delivery

The scope of delivery consist of the following parts. At the beginning, check whether all parts and tools belonging to the device are included in the scope of delivery and whether damage has occurred. In the event of complaints, the contractual partner must be contacted directly.

**⚠ CAUTION**

If parts of the scope of delivery are missing or damaged, the assembly must not be carried out.



## 2.3 Assembly

Before assembly, take a close look at the individual assembly steps shown and carry out the assembly in the order given.

### NOTICE

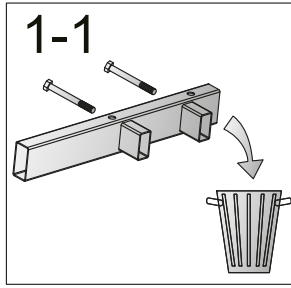
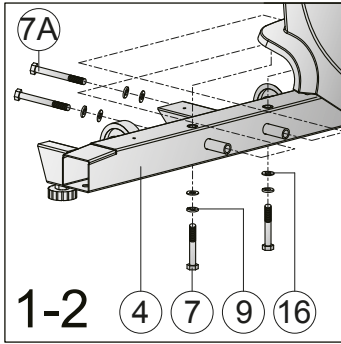
- + First loosely screw all parts together and check that they fit properly. Tighten the screws using the tool only when you are instructed to do so.
- + If you have difficulty recognising the graphics, we recommend that you open and/or download the PDF instructions stored in the webshop on your end device (e.g. smartphone, tablet or PC). There you have the option of zooming in closer. Please note that the Adobe Acrobat Reader programme must be installed on your end device in order to open the file.

### Step 1: Mounting the front and rear stabiliser

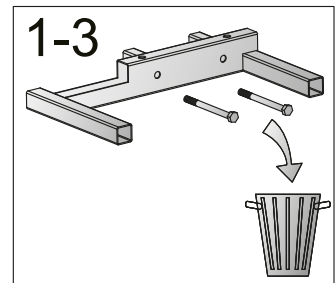
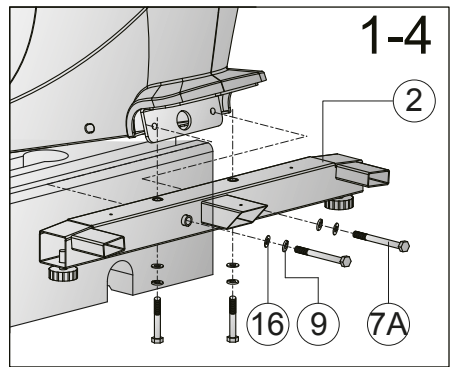
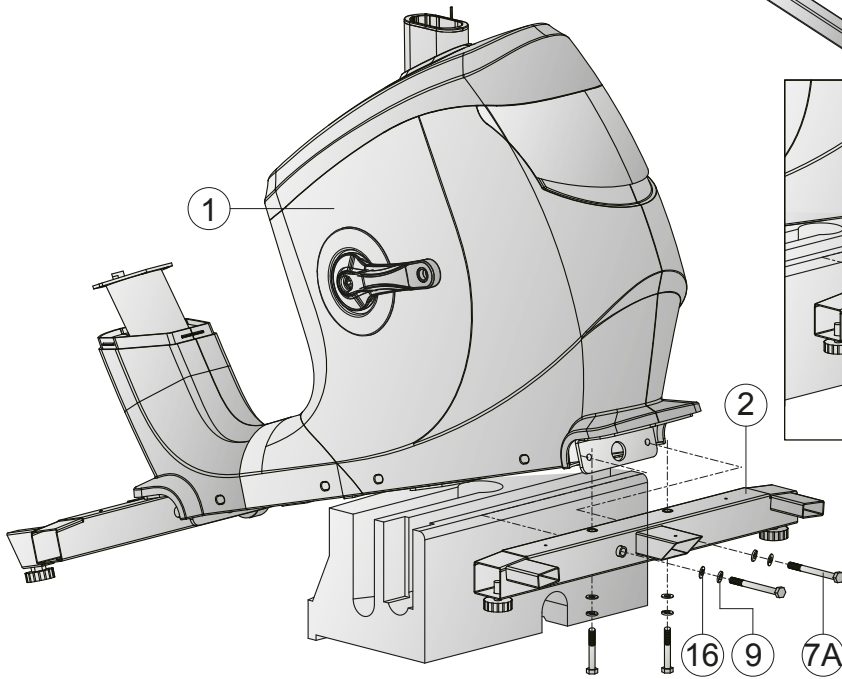
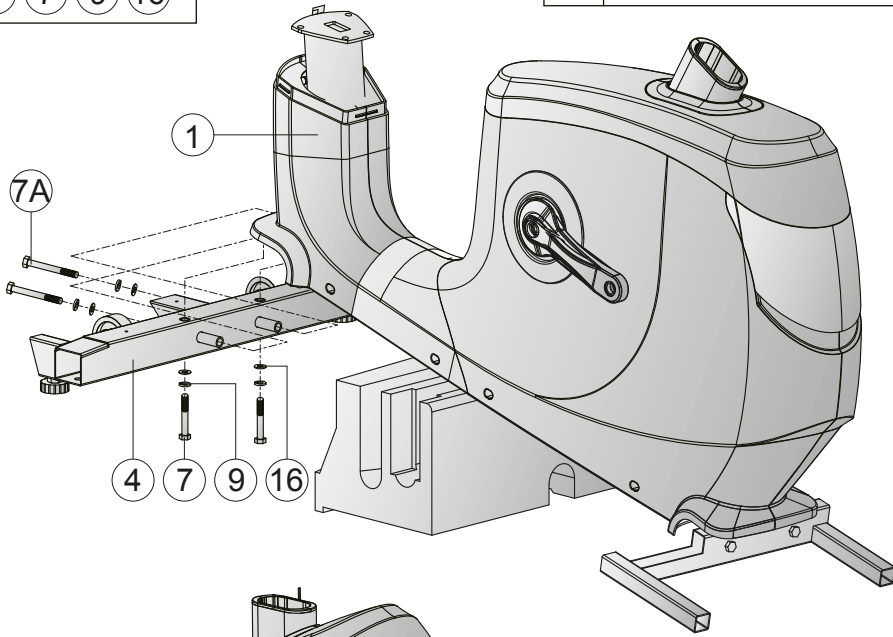
#### CAUTION

For this assembly step, the device must be lifted on one side. For this purpose, consult the help of another person. For additional stabilisation, you can use the polystyrene from the packaging material and place it under the device.

1. Remove and dispose the front attachment of the unit together with the two screws (see fig. 1-1). These are not required for assembly.
2. Lift the front frame and mount the front stabiliser (4) to the main frame (1) with four washers (16), four spring washers (9), two screws (7A), two screws (7) (see fig. 1-2) and hand-tighten the screws.
3. Remove and dispose the rear attachment of the unit together with the two screws (see fig. 1-3). These are not required for assembly.
4. Lift the rear frame and mount the rear stabiliser (2) to the main frame (1) with four washers (16), four spring washers (9), two screws (7A), two screws (7) (see fig. 1-4) and hand-tighten the screws.



7		M8x1.25x70L	x4
7A		M8x1.25x110L	x4
9		D15.4xD8.2x2T	x8
16		D16xD8.5x1.2T	x8

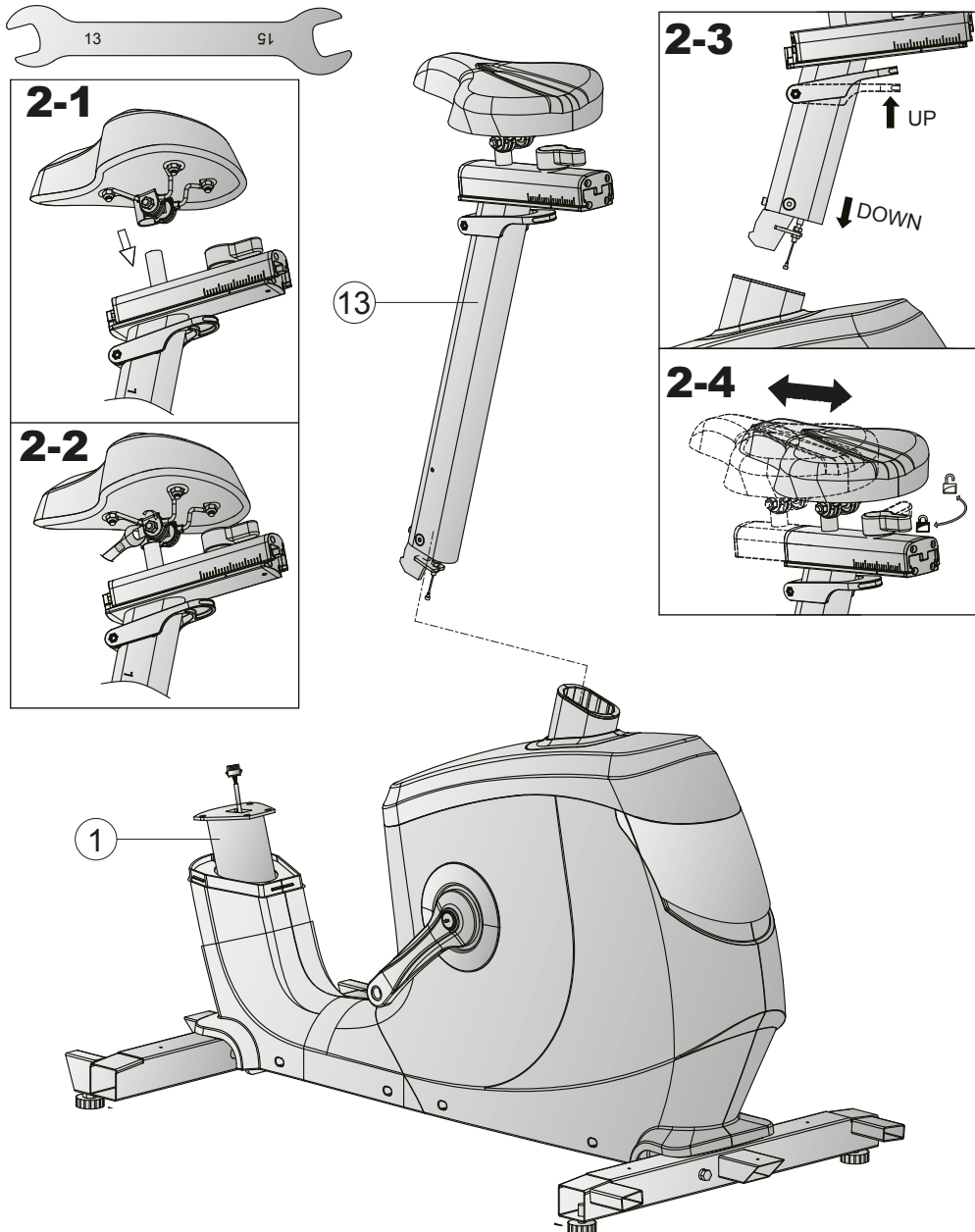


## Step 2: Mounting the saddle

1. Mount the saddle to the seat post (13) and hand-tighten the nuts with the tool (see figs. 2-1 and 2-2).
2. Pull the lock on the seat post (13) towards the saddle and insert the seat post (13) into the main frame (1) (see fig. 2-3).

### ⓘ NOTICE

If the seat position does not meet your requirements after assembly has been completed, the height of the seat and its lateral alignment can be adjusted as shown in figs. 2-3 and 2-4.



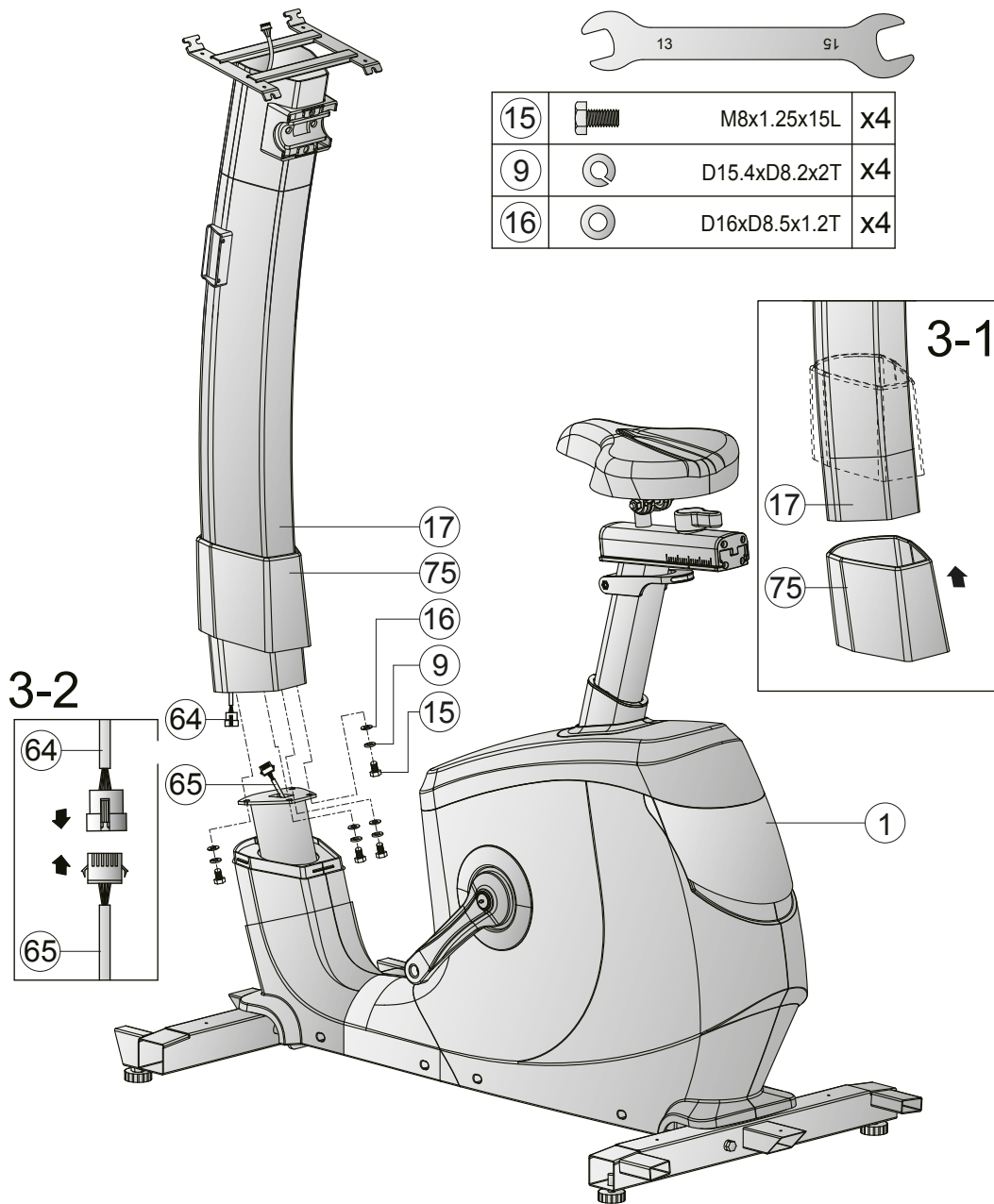
### Step 3: Mounting the front post

1. Slide the cover (75) on the front post (17) upwards (see fig. 3-1).
2. Connect the two console cables (64 & 65) together (see fig. 3-2).

► **ATTENTION**

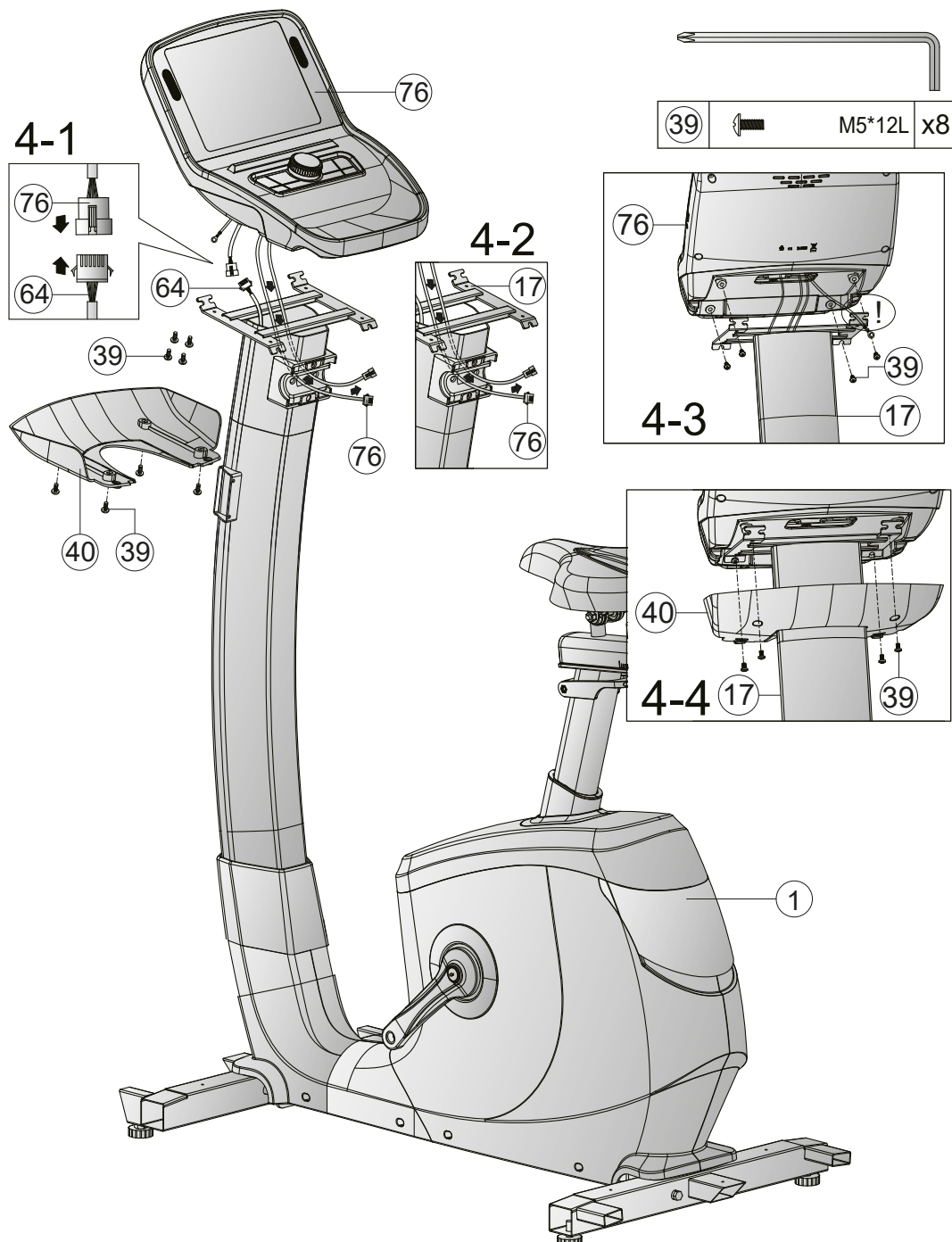
Make sure not to clamp the cables during the next step.

3. Place the front post (17) on the main frame (1) and mount the front post (17) with four washers (16), four spring washers (9) and four screws (15).
4. Slide the cover (75) down and let the cover snap into place.



## Step 4: Mounting the console

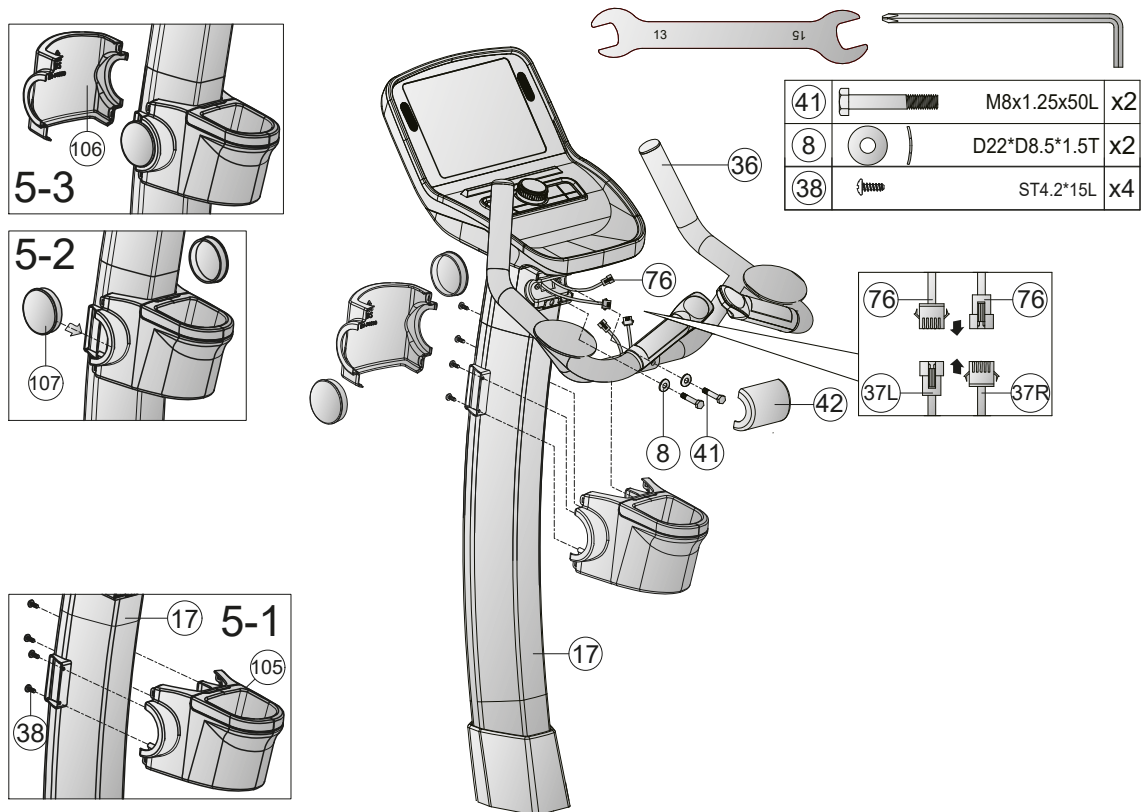
1. Connect the console cable (64) to the console cable (76) shown in figure 4-1.
2. Pass the remaining console cables from the console (76) through the front post opening (17) (see fig. 4-2).
3. Guide the ground cable through the console bracket on the front post (17) and mount the console (76) to the front post (17) with four screws (39) (see fig. 4-3)
4. Use one of the screws (39) to fix the ground cable on the shown position (see fig. 4-3) and hand-tighten the screws.
5. Mount the console cover (40) below the console (76) on the front post (17) using four screws (39) (see fig. 4-4) and hand-tighten the screws.





## Step 5: Mounting the handles and bottle holder

1. Connect the cables from the console (76) to the cables for the speed buttons (37L & 37R).
2. Mount the handlebar (36) to the front post (17) using two curved washers (8) and two screws (41) and hand-tighten the screws.
3. Place the cover for the handlebar (42) on the screw connection.
4. Mount the rear bottle bracket (105) to the front post (17) using four screws (38) (see fig. 5-1).
5. Place the two end caps (107) into the rear bottle bracket (105) (see fig. 5-2).
6. Snap the front bottle bracket (106) into the rear bottle bracket (105) (see fig. 5-3).



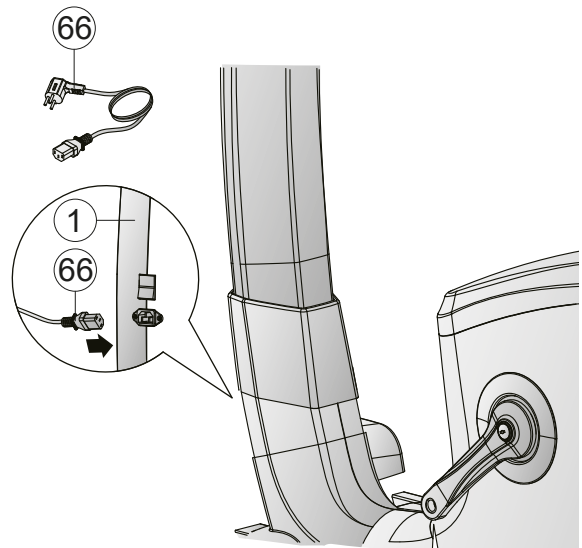


## Step 8: Connecting the equipment to the mains supply

### ► ATTENTION

The equipment must not be connected to a power board, otherwise it cannot be guaranteed that the equipment will be supplied with sufficient power. Technical errors can happen as a result.

Connect the power cable (66) to the unit and then plug the power cable (66) into a socket which complies with the specifications in the chapter on electrical safety.



### **i** IMPORTANT NOTE

To ensure that your equipment has the latest software version, please perform an update before using it for the first time. Proceed as follows:

1. Tap "Settings" in the lower right corner of the screen.
2. Tap "Wireless" and connect your treadmill to the Internet.
3. Return to the settings.
4. Tap "System and Apps" and go to updates.
5. Tap "Update", to update the software.

Do not use or switch off the equipment during the update.

Check whether another update is available and carry it out as described above at regular intervals. If a new version is available, the display shows a white icon. Otherwise the icon will be grey.

## 3 OPERATING INSTRUCTIONS

### ① NOTICE

Familiarise yourself with all the functions and setting options of the device before starting training. Have the proper use of this product explained to you by a specialist.

### 3.1 Console Display



DISPLAY	DESCRIPTION
<b>Level</b>	+ Display of the current resistance level + Display range: 1–32
<b>Time</b>	+ Display of the training time in minutes + Display range: 00:00–999:59
<b>Distance</b>	+ Display of the training distance in km + Display range: 0.0–99.9
<b>Calories</b>	+ Display of the calories in kcal + Display range: 0–9999
<b>Puls</b>	+ Display of current heart rate + Display range: 40–220

<p><b>Mets/Watt</b></p>	<p>+ Display of the MET or Watt value</p> <p><u>Definition:</u> MET or metabolic equivalent is used to measure the average metabolic rate for a person. MET describes the quantity of oxygen that an average person needs when in rest.</p> <p>1 MET = 3.5 ml/kg/min (The body consumes 3.5 milliliters of oxygen per kilogram per minute) is the amount of oxygen that the body needs when in rest.</p> <p>The more intensively the body works, the more oxygen is consumed and the higher the MET level. If you train at a level of seven METS, then you are working approximately 7 times harder than when in rest. Furthermore, you need 7 times as much oxygen than when in rest.</p> <ul style="list-style-type: none"> <li>+ Training between three to six METs is seen as moderate physical activity.</li> <li>+ Training at more than six METs is seen as strong physical activity.</li> </ul>
<p><b>Speed /RPM</b></p>	<p>+ Display of the current speed or the rotations per minute</p>

## 3.2 Button Functions



BUTTON	DESCRIPTION
<b>Encoder</b>	<ul style="list-style-type: none"> <li>+ Turn to increase or decrease setting values or the resistance level</li> <li>+ Press to confirm the settings</li> <li>+ Change between RPM and SPEED</li> </ul>
<b>FITNESS TEST</b>	<ul style="list-style-type: none"> <li>+ Press in main menu to get straight to the fitness test</li> </ul>
<b>PROGRAM</b>	<ul style="list-style-type: none"> <li>+ Press in main menu to get to the pre-set programmes</li> </ul>
<b>START</b>	<ul style="list-style-type: none"> <li>+ Start programme</li> <li>+ Continue after pausing the programme</li> </ul>
<b>STOP</b>	<ul style="list-style-type: none"> <li>+ Pause programme</li> <li>+ Press in paused programme to end the programme and get an overview of the collected training data</li> <li>+ Press after an ended programme to get to the main menu</li> </ul>

## 3.3 Programmes

This equipment offers many different programmes. This includes: a quick start programme, target programmes, pre-set programmes, user-defined programmes, heart rate-oriented programmes and one fitness test.

### 3.3.1 Quick Start

When you are in the main menu, simply press START to start a training session via quick start. Alternatively you can also tap on „QUICK START“ in the main menu.

### 3.3.2 Target programmes

1. Tap on „GOAL“ in the main menu.
2. Choose either time, distance or calories as your target unit.

**① NOTICE**

You can only choose one unit.

3. Set a value for your desired target unit.
4. Press START to start the programme.

*The resistance level can be adjusted manually during your training.*

5. Press the STOP button to pause your training.

*The resistance level is set to 0.*

- 5.1. Press STOP again to end your training and an overview of the collected training data will be displayed.
- 5.2. Press START to continue with your training.

### 3.3.3 Pre-set programmes

1. Tap on „PROGRAM“ in the main menu.
2. Enter your gender, age, weight and the desired training time and press Next.
3. Choose one of the pre-set programmes.
4. Press START to start the programme.

*The resistance level can be adjusted manually during your training.*

5. Press the STOP button to pause your training.

*The resistance level is set to 0.*

- 5.1. Press STOP again to end your training and an overview of the collected training data will be displayed.
- 5.2. Press START to continue with your training.

Programme		Setting time / 30 = time for each section														
		1	2	3	4	5	6	7	8	9	10	11	12	13	14	15
P1	LEVEL	2	2	4	4	3	3	4	3	5	4	2	2	5	5	3
P2	LEVEL	2	2	5	5	4	4	6	4	6	4	2	2	4	4	2
P3	LEVEL	2	2	5	5	4	4	5	4	5	4	2	2	3	3	2
P4	LEVEL	3	3	6	6	7	7	5	8	5	9	6	6	4	4	3
P5	LEVEL	3	3	6	6	7	7	5	8	6	7	6	6	4	4	3
P6	LEVEL	5	5	11	11	9	9	7	8	12	10	8	8	7	7	6
P7	LEVEL	5	5	9	9	10	10	7	7	10	7	5	5	7	7	5
P8	LEVEL	5	5	7	7	9	9	11	10	11	9	5	5	6	6	5
P9	LEVEL	5	5	7	7	8	8	8	9	8	9	6	6	6	6	5
P10	LEVEL	5	5	6	6	8	8	6	6	8	8	9	9	6	6	6
P11	LEVEL	7	7	11	7	7	11	7	7	11	7	7	11	7	7	11
P12	LEVEL	7	7	10	10	10	12	12	12	15	15	15	17	17	20	20
P13	LEVEL	7	7	7	10	10	10	12	12	12	15	15	15	17	17	17
P14	LEVEL	7	7	7	10	10	10	15	15	15	17	17	20	20	20	20
P15	LEVEL	7	7	7	7	12	12	12	12	12	15	15	15	15	15	17
P16	LEVEL	7	7	7	10	10	12	15	17	20	20	17	15	12	10	10
P17	LEVEL	8	11	16	21	21	13	8	8	11	16	21	21	13	8	8
P18	LEVEL	8	11	13	18	21	8	11	13	18	21	8	11	13	18	21
P19	LEVEL	8	21	18	13	11	8	8	21	18	13	11	8	8	21	18
P20	LEVEL	13	21	21	13	21	21	13	21	21	13	21	21	13	21	21
P21	LEVEL	13	21	13	21	13	21	13	21	13	21	13	21	13	21	13
P22	LEVEL	8	8	11	11	16	16	16	18	18	21	23	21	18	18	18
P23	LEVEL	14	14	23	23	20	20	23	20	23	20	23	23	17	17	14
P24	LEVEL	17	17	26	26	23	25	23	26	23	27	26	26	20	20	20
P25	LEVEL	20	20	26	26	25	25	23	26	26	25	26	26	23	23	17
P26	LEVEL	14	14	26	26	26	26	23	23	26	25	23	23	20	20	17
P27	LEVEL	14	14	26	26	25	25	20	20	25	20	17	17	20	20	14
P28	LEVEL	21	21	15	15	24	27	27	26	27	27	24	21	18	18	15
P29	LEVEL	15	24	27	27	18	21	18	21	24	27	18	18	18	18	15
P30	LEVEL	18	24	18	18	24	24	21	21	24	18	27	27	18	21	18
P31	LEVEL	18	18	24	24	27	27	27	28	24	26	24	27	21	21	15
P32	LEVEL	15	21	24	21	24	24	27	32	27	21	18	15	18	18	21
P31	LEVEL	18	18	24	24	27	27	27	28	24	26	24	27	21	21	15
P32	LEVEL	15	21	24	21	24	24	27	32	27	21	18	15	18	18	21



Programme		Setting time / 30 = time for each section														
		16	17	18	19	20	21	22	23	24	25	26	27	28	29	30
P1	LEVEL	3	2	2	4	4	5	5	5	6	5	6	3	3	3	3
P2	LEVEL	2	2	2	4	4	6	6	8	7	8	6	2	2	3	3
P3	LEVEL	2	2	2	4	4	5	5	5	6	5	6	3	3	3	3
P4	LEVEL	3	4	4	2	2	6	6	8	6	3	2	6	6	2	2
P5	LEVEL	3	2	2	5	5	5	5	4	4	6	4	2	2	3	3
P6	LEVEL	6	7	7	5	5	7	7	9	11	10	11	9	9	5	5
P7	LEVEL	5	6	6	8	8	7	7	7	6	7	6	5	5	5	5
P8	LEVEL	5	6	6	8	8	7	7	7	6	7	6	5	5	5	5
P9	LEVEL	5	6	6	7	7	7	7	6	8	8	9	6	6	6	6
P10	LEVEL	6	7	7	6	6	7	7	7	6	7	5	6	6	5	5
P11	LEVEL	7	7	11	7	7	11	7	7	11	7	7	11	7	7	11
P12	LEVEL	20	20	17	17	15	15	15	12	12	12	10	10	10	7	7
P13	LEVEL	20	20	20	22	22	22	20	20	20	17	17	17	15	15	15
P14	LEVEL	20	20	20	20	17	17	15	15	15	10	10	10	7	7	7
P15	LEVEL	17	17	17	17	20	20	20	20	20	20	15	15	15	15	15
P16	LEVEL	10	10	12	15	17	20	20	17	15	12	10	10	7	7	7
P17	LEVEL	11	16	21	21	13	8	8	11	16	21	21	13	8	8	11
P18	LEVEL	8	11	13	18	21	8	11	13	18	21	8	11	13	18	21
P19	LEVEL	13	11	8	8	21	18	13	11	8	8	21	18	13	11	8
P20	LEVEL	13	21	21	13	21	21	13	21	21	13	21	21	13	21	21
P21	LEVEL	21	13	21	13	21	13	21	13	21	13	21	13	21	13	21
P22	LEVEL	18	18	18	21	23	21	18	18	16	16	16	11	11	8	8
P23	LEVEL	14	17	17	23	23	26	26	26	27	23	25	23	26	20	12
P24	LEVEL	20	14	14	26	26	26	26	23	23	26	25	26	23	20	20
P25	LEVEL	17	20	20	14	14	23	26	26	25	26	26	23	20	17	17
P26	LEVEL	17	14	14	14	23	23	23	20	20	26	20	14	14	17	17
P27	LEVEL	14	20	20	23	23	26	26	26	26	26	28	26	26	26	17
P28	LEVEL	15	24	24	18	18	21	21	21	18	21	15	24	24	15	15
P29	LEVEL	15	21	21	18	18	21	18	24	21	15	15	24	24	18	18
P30	LEVEL	15	18	18	21	21	18	18	21	18	24	21	15	15	15	12
P31	LEVEL	15	21	21	24	24	27	27	27	28	28	29	27	27	27	18
P32	LEVEL	21	18	18	30	30	29	29	30	29	30	29	29	29	18	18
P31	LEVEL	15	21	21	24	24	27	27	27	28	28	29	27	27	27	18
P32	LEVEL	21	18	18	30	30	29	29	30	29	30	29	29	29	18	18

### 3.3.4 User-defined programmes

1. Tap on „USER PROGRAM“ in the main menu.
2. Choose one of the four user profiles (U1-U4).

**ⓘ NOTICE**

The chosen user profile will be displayed on the upper border of the screen. The name of the user profile can be changed. To do this, simply tap on the user profile and type in the desired name.

3. Enter your gender, age, weight and the desired training time.
4. Set the desired speed and incline for all the 30 segments.
5. Press START to start the programme.

*The resistance level can be adjusted manually during your training.*

6. Press the STOP button to pause your training.

*The resistance level is set to 0.*

- 6.1. Press STOP again to end your training and an overview of the collected training data will be displayed.
- 6.2. Press START to continue with your training.

### 3.3.5 Heart rate-oriented programmes

#### **WARNING**

Your training equipment is not a medical device. The heart rate measurement of this equipment may be inaccurate. Various factors can affect the accuracy of the heart rate measurement. The heart rate measurement serves only as a training aid.

There are three different heart rate-oriented programmes. Either choose one of the pre-set target heart rates (60% or 80% of your maximum heart rate) or choose „Target HR“ to set a target heart rate yourself. Your maximum heart rate is calculated depending on your age. We recommend a chest strap for these programmes.

1. Tap on „HRC“ in the main menu.
2. Enter your gender, age, weight and the desired training time.
3. Choose either 60%, 80% or Target HR.
- 3.1. If you have chosen Target HR you will be able to set the target value yourself (between 72-168).
4. Press the START-button to start the programme.
5. Put your hands around the hand pulse sensors or use a chest strap.

#### **NOTICE**

In case the console does not receive a signal for 15 seconds the programme will be stopped.

6. Press the STOP-button to pause your training.

*The resistance level is set to 0.*

- 6.1. Press the STOP-button again to end your training and an overview of the collected training data will be displayed.
- 6.2. Press the START-button to continue with your training.

### 3.3.6 Watt programme

1. Tap "WATT MODE" in the main menu.
2. Set your desired target wattage and training time.

**NOTICE**

You can set a wattage value between 10 and 350 watts (in increments of 10). The default value is 120.

You can enter the training time between 5 and 999 minutes. The default value is 20 minutes.

3. To start the programme, press START.

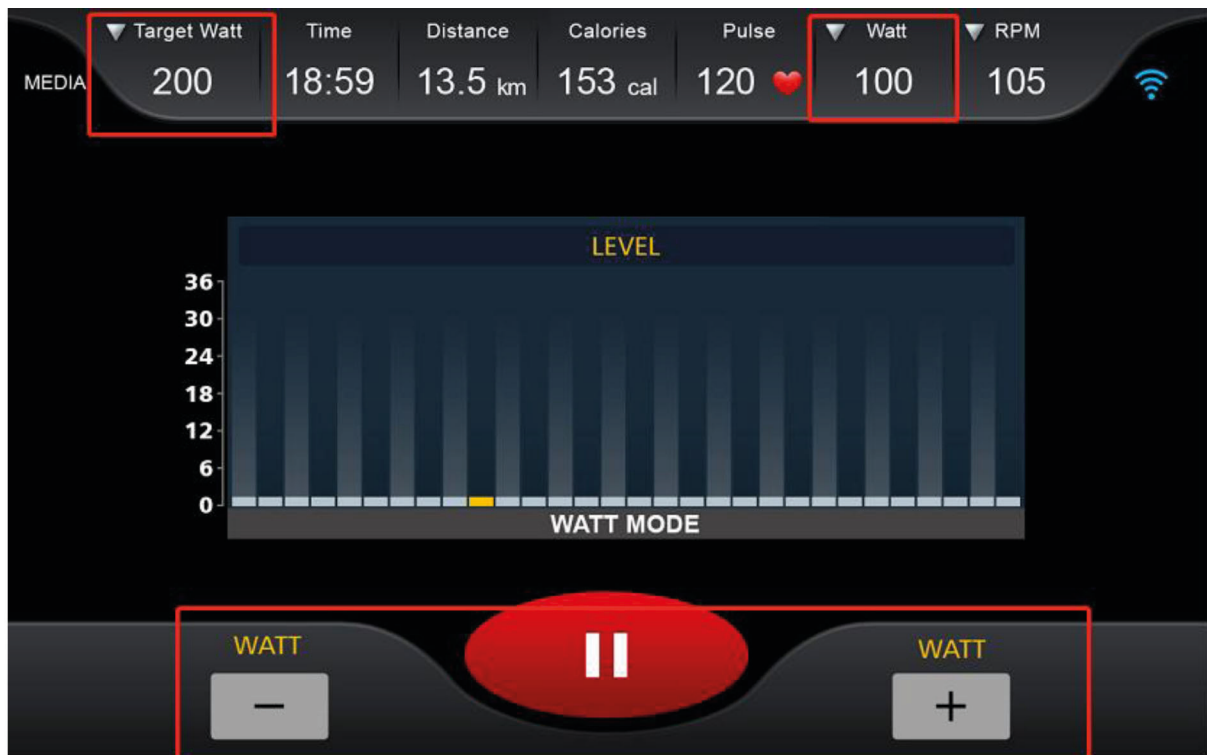
*The upper left corner of the screen shows the target wattage.*

*The upper right corner of the screen shows the current wattage.*

*The target wattage can be adjusted in increments of 5 during the programme by tapping WATT - / WATT +.*

*The resistance cannot be adjusted manually, but is automatically adjusted according to the target wattage and RPM.*

4. To pause the programme, press STOP.
5. To end the programme, press STOP once again.



### 3.4 Fitness Test

The fitness test consists of two phases. One is the warm up phase and the other is the actual fitness test. We recommend a chest strap for this test.

**NOTICE**

The RPM must be between 45 - 65 during the test, otherwise an error message will be displayed. If the RPM does not reach the specified amount within 5 seconds, the test will be stopped.

1. Tap on „FITNESS TEST“ in the main menu.
2. Enter your gender, age and weight.
3. Press START to start the fitness test.

*The warm up phase will start.*

**NOTICE**

We recommend to use this phase if you have not done a warm up beforehand. Otherwise the warm up phase can be skipped by tapping on „SKIP WARM UP“.

4. Put your hands around the hand pulse sensors or use a chest strap.

**NOTICE**

In case the console does not receive a signal for 15 seconds the programme will be stopped. If your heart rate gets to high the console will display „OVER PULSE“. In this case, please interrupt your test immediately.

*Upon completion of the test an overview of the collected training data will be displayed.*



## 3.5 Media

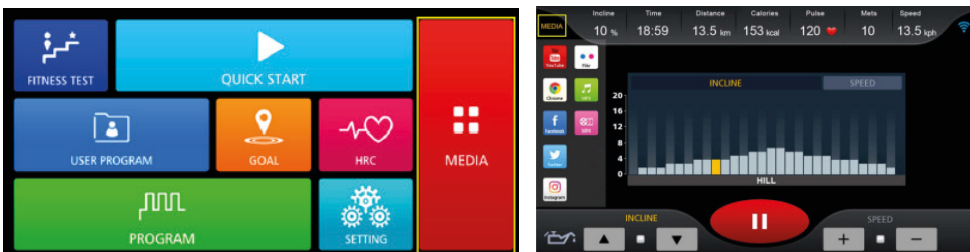
Here you will find many different apps like YouTube, Twitter, Facebook or Instagram.

### IMPORTANT NOTE

To make sure the pre-installed apps are working correctly, they must be updated regularly. If needed, the respective app will notify you to do so. To update the app, you need a google account. A google email is sufficient. Just follow the instructions on the screen to perform the update.

Please note: The system is set up only for the pre-installed apps. Do not install any additional apps as their proper functionality can not be guaranteed. The installation of other apps might cause technical issues.

This menu can be opened in two ways:



1. Via the main menu by tapping on "MEDIA" or
2. Via the the training interface (in the upper left corner of the screen).

### NOTICE

You can show and hide the training interface by tapping on the round icon on the right edge of the screen. To adjust the volume simply tap on the speaker icon.



You can transmit music and video data from your USB stick to the console. To do this insert your USB stick into the corresponding slot on the side of the console.

### Supported formats:

Music: .wav, .wma, .aac, .ogg, .mp3 und .flac.  
Video: .mp4 und .avi.

### Settings

Under "SETTINGS" in the main menu, you can make your system settings. This includes: Language, screen brightness and volume.

Bluetooth: You can connect your mobile device and bluetooth speakers with the console.

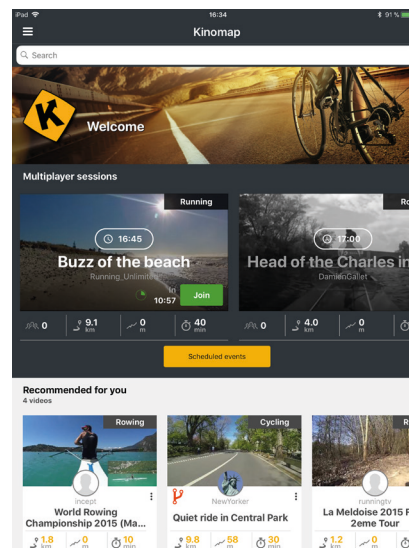
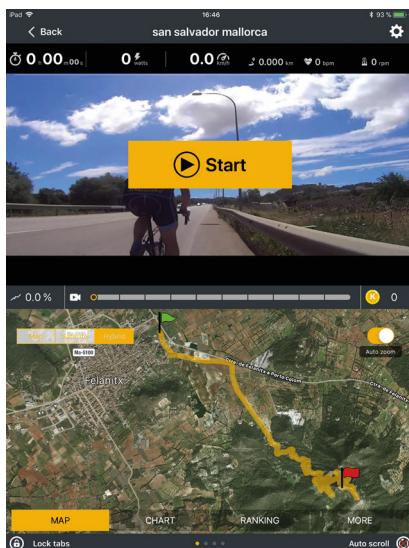
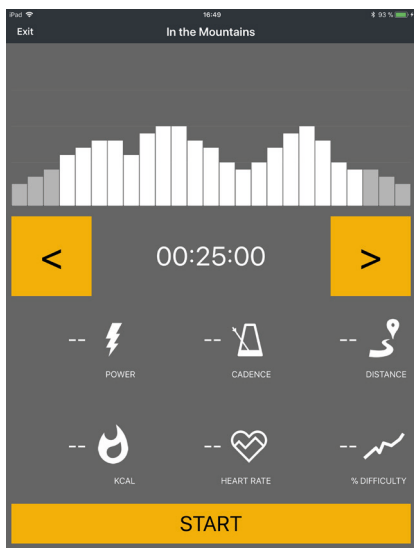
Wireless: Here you can connect the console with the internet.

### 3.6 Bluetooth and Fitness Apps

This console is equipped with a bluetooth interface. Please take note that your mobile device needs to be compatible with the bluetooth interface of the treadmill (bluetooth 4.0).

To use training apps you will have to activate the bluetooth function on your mobile device (tablet or smart phone) and start the fitness app. Select your fitness equipment. Please follow the instructions given in the app. You will find the name of your fitness equipment on a small sticker on the back of the console.

You will find the fitness apps in the app stores of Google or Apple. There you will find the apps "Kinomap" or "Zwift". Please note that these apps are produced by an external manufacturer. Sport-Tiedje does not take any responsibility regarding the availability, functionality or contents of these programmes.



Example: Kinomap

## 4.1 General Instructions

### WARNING

- + The storage location should be chosen so that improper use by third parties or children can be prevented.
- + If your equipment does not have transportation wheels, the equipment must be disassembled before transportation.

### ▶ ATTENTION

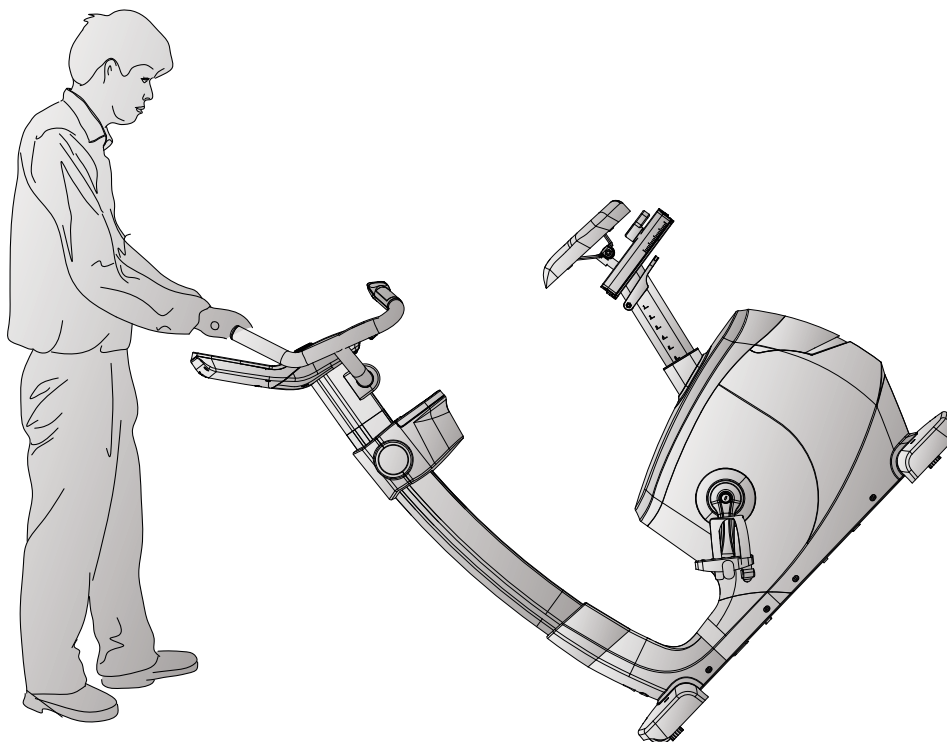
- + Make sure that the equipment is protected from moisture, dust and dirt in the selected storage location. The storage location should be dry and well ventilated and have a constant ambient temperature between 10°C and 35°C.

## 4.2 Transportation Wheels

### ▶ ATTENTION

If you want to transport your equipment over particularly sensitive and soft floor coverings, such as parquet, planks or laminate, lay out the transport route with cardboard or similar to avoid possible floor damage.

1. Stand behind the equipment and lift it until the weight is transferred to the transportation wheels. After that, you easily can move the equipment to a new position. For long transport distances the equipment should be disassembled and safely packed.
2. Select the new location by following the instructions in the section 1.4 of this manual.





## 5.1 General Instructions



### WARNING

- + Do not make any improper changes to the equipment.



### CAUTION

- + Damaged or worn components may affect your safety and the life of the equipment. Therefore, immediately replace damaged or worn components. In such a case, contact the contract partner. The equipment must not be used until it has been repaired. If necessary, use only original spare parts.

### ► ATTENTION

- + In addition to the instructions and recommendations for maintenance and care given here, additional service and/or repair work may be necessary; this must only be carried out by authorised service technicians.

## 5.2 Faults and Fault Diagnosis

The equipment undergoes regular quality controls during production. Nevertheless, faults or malfunctions may occur. Frequently, individual parts are responsible for these disturbances, an exchange is usually sufficient. Please refer to the following overview for the most common errors and how to correct them. If the equipment still does not function properly, contact your contract partner.

Fault	Cause	Solution
Cracking in the pedal area	Pedals loose	Tighten the pedals
Equipment wobbles	Equipment is not level	Align the feet
Handlebar/saddle wobbles	Loose screws	Tighten screws firmly
Display is blank/is not working	Loose cable connection	Check cable connections
No pulse display	<ul style="list-style-type: none"> <li>+ Sources of interference in the room</li> <li>+ unsuitable chest strap</li> <li>+ Wrong position of chest strap</li> <li>+ Chest strap defective or battery empty</li> <li>+ Pulse display defective</li> </ul>	<ul style="list-style-type: none"> <li>+ Eliminate sources of interference (e.g. mobile phone, WLAN, lawn mower and vacuum cleaner robot, etc. ...)</li> <li>+ Use a suitable chest strap (see RECOMMENDED ACCESSORIES)</li> <li>+ Reposition chest strap and/or moisten electrodes</li> <li>+ Changing batteries</li> <li>+ Check if pulse display by hand pulse possible</li> </ul>

## 5.3 Maintenance and Inspection Calendar

To avoid damage from body sweat, the equipment must be cleaned with a damp towel (no solvents!) after each training session.

The following routine tasks must be performed at the specified intervals:

Part	Weekly	Monthly	Quarterly
Display console	C	I	
Lubrication of moving parts			I
Plastic covers	C	I	
Screws and cable connections		I	
Check pedals for tightness		I	
Legend: C = clean; I = inspect			

By scanning the QR code with the camera function or QR code scanner app of your smartphone/tablet, a video on general maintenance of an exercise bike opens on YouTube. The video serves to illustrate the maintenance points described in this manual.

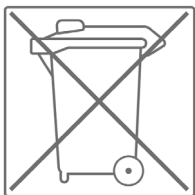
Please note that the video may not be available in your language or with appropriate subtitles.

If you cannot scan QR codes, you can access all Sport-Tiedje videos on YouTube by first opening YouTube and entering "Sport-Tiedje" in the search field.



## 6 DISPOSAL

At the end of its operational life, this equipment cannot be disposed of in normal household waste. Instead, it must be disposed of via an electricals recycling centre. Further information can be obtained from your local authority's recycling service.



The materials can be recycled as per their symbols. Through the reuse, recycling of materials or other forms of recovery of old equipment, you make an important contribution to the protection of the environment.

## 7 RECOMMENDED ACCESSORIES

To make your training experience even more efficient and pleasant, we recommend that you add suiting accessories to your fitness equipment. This could be a floor mat, for example, which makes your fitness equipment stand more securely and also protects the floor from falling sweat, but it could also be additional handrails on some treadmills or silicone spray to keep moving parts in good shape.

If you have purchased a fitness machine with pulse training and want to train your heart rate, we strongly recommend that you use a compatible chest strap, as this ensures optimum transmission of the heart rate. You may want to buy additional grips or weights for multi gyms.

Our range of accessories offers the highest quality and makes training even better. If you would like to find out more about compatible accessories, please go to the detail page of the product in our webshop (the easiest way is to enter the article number in the search field above) and go to the recommended accessories on this page. Alternatively, you can use the QR-code provided. Of course, you can also contact our customer service: by telephone, e-mail, in one of our branches or via our social media channels. We will be happy to advise you!



floor mat



chest strap



chest strap contact gel



towels



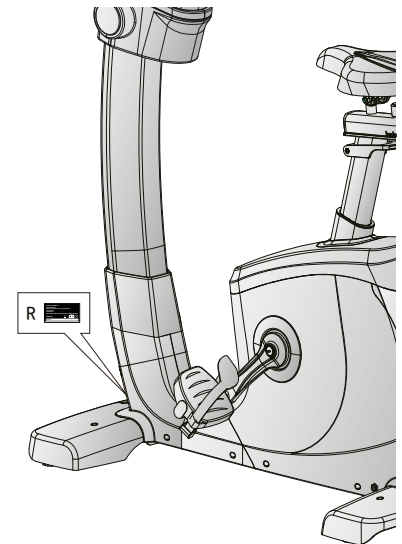
silicone spray

## 8.1 Serial Number and Model Name

In order to provide you with the best possible service, please have the model name, article number, serial number, exploded drawing and parts list ready. The corresponding contact options can be found in chapter 10 of this operating manual.

**NOTICE**

The serial number of your equipment is unique. It's located on a white sticker. The exact position of this sticker is shown in the following illustration.



Enter the serial number in the appropriate field.

**Serial number:**

**Brand / Category:**

**Model Name:**

**Article Number:**

## 8.2 Parts List

No.	Name	Supplier Parts No.	Specification	Qty.
1	Main frame	73450-3-1000-J3		1
2	Rear stabilizer	73450-3-2112-J0		1
3	adjustable round wheel	26000-6-1095-B0	D38*M10*1.5	4
4	front stabilizer	73450-3-2100-J0		1
5	front stabilizer cover	73450-6-2186-B0	600*190.2*79.4	2
6	Allen bolt	50308-5-0040-F3	M8*1.25*40L	2
7	Bolt	50108-5-0070-F4	M8*1.25*70L	4
7A	bolt	50108-5-0110-F5	M8*1.25*110L	4
8	curved washer	55108-3-2215-FA	D22xD8.5x1.5T	2
9	spring washer	55108-2-1520-FA	D15.4xD8.2x2T	12
10L	front left decorative cover (black)	73450-6-4523-B0	483.5*98.3*256.6	1
10R	front right decorative cover (black)	73450-6-4546-B0	483.5*101.7*256.6	1
11	upper decorative cover	73450-6-4520-B0	629.3*170.6*114	1
12	Rear cover	73450-6-4514-B20	191.9*172.1*138.4	1
13	seat post welding set	73450-3-2200-A41		1
14	inner tube	73450-6-1071-B0	50*100*340L	2
15	Hex bolt	50108-5-0015-F0	M8*1.25*15L	4
16	Flat Washer	55108-1-1612-FA	D16*D8.5*1.2T	12
17	Front Post	73452-3-2000-J1		1
18	Adjustable handle	73450-6-4084-B0	80*D43*31	1
19	End cap (1)	73450-6-2286-B0	60*41.8*10T	2
20	End cap (2)	73450-6-2287-B0	60*28.7*10T	2
21	bearing	58006-6-1040-01	#6004-2RS(C0)	2
22	waved washer	55120-5-2705-DA	D27*D20.3*0.5T	1
23	Screw	54203-2-0030-F0	M3*0.5*30L	4
24	C ring	55519-1-2312-DA	D22.5*D18.5*1.2T	2
25	cross screw	54203-2-0012-F0	M3*0.5*12L	2
26	crank axle	73450-3-2903-00		1
27	pulley wheel	58008-6-1037-D0	D260*25*3T	1
28	anti-loose nut	55206-1-2006-FA	M6*1.0*6T	5
29	Hex bolt	50106-5-0015-C0	M6x1.0x15L	4
30	Multi-groove belt	58004-6-1113-00	440 PJ8	1

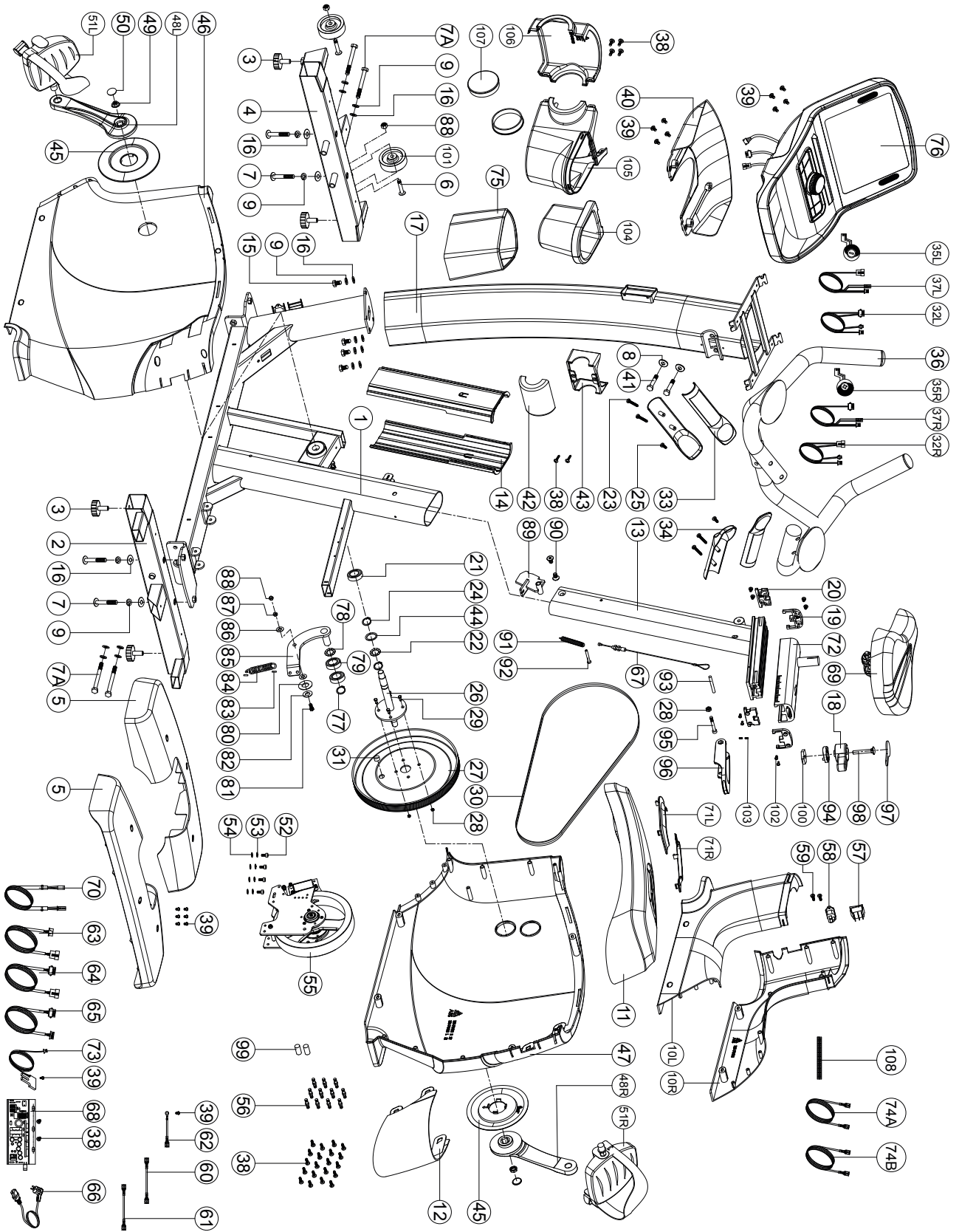
31	Round Magnet	742G0-6-2574-00		1
32L	Upper cable for quick button(2)	734S5-6-2539-00	400L	1
32R	Upper cable for quick button(1)	734S5-6-2542-00	400L	1
33	Upper cover for handpulse	747S0-6-2517-B0	184.5*20.8*50	2
34	Lower cover for handpulse	747S0-6-2518-B0	184.5*35.2*50	2
35L	Membrane button (-)	734S5-6-2534-00	D39,1505C	1
35R	Membrane button (+)	734S5-6-2533-00	D39, 1505C	1
36	Handlebar	734S0-3-2400-J1		1
37L	Lower cable for quick button(2)	734S5-6-2536-00	850L	1
37R	Lower cable for quick button(1)	734S5-6-2544-00	850L	1
38	Screw	52842-2-0015-F0	ST4.2*15L	36
39	cross bolt	52605-2-0012-F0	M5*0.8*12L	16
40	Back cover for console	747S0-6-2529-B0	337.6*225.5*58.4	1
41	Bolt	50108-5-0050-F3	M8*1.25*50L	2
42	rear protective cover for handlebar	734S0-6-3781-B0	97.2*75*42	1
43	front protective cover for handlebar	734S0-6-3780-B0	100*77.1*42	1
44	Flat Washer	55120-1-2615-NA	D26*D21*1.5T	1
45	crank cover	734S0-6-4524-C0	D150*D41*14.2	2
46	left chain cover	734S0-6-4501-B1	728*98.3*519	1
47	right chain cover	734S0-6-4502-B0	728*101.7*519	1
48L	left crank	58007-6-1093-C0	170Lx9/16"-20BC	1
48R	right crank	58007-6-1094-C0	170Lx9/16"-20BC	1
49	anti-loosing nut	734S0-6-2775-N0	M10*1.25*9T	2
50	Bolt cover	734S0-6-2779-C0	D29*11.5L	2
51L&51R	Pedal	58029-6-1105-B0	JD-36A,9/16"	1
52	Screw	54006-5-0015-D0	M6*1.0*15L	4
53	spring washer	55106-2-1013-NA	D10.5*D6.1*1.3T	4
54	Flat Washer	55106-1-1310-NA	D13*D6.5*1.0T	4
55	Electric magnetic system	734S0-3-3102-00	D265*153*50	1
56	pin	71600-6-4586-60	D6*26.5*7.7	12
57	Power supply	261D8-6-2411-00		1
58	socket	26100-6-2413-00		1
59	screw	51004-2-0010-F0	ST4*1.41*10L	2

60	Live line	734S0-6-3480-00	150L	1
61	Netural line	734S0-6-3479-00	150L	1
62	Ground line	734S0-6-3486-00	200L	3
63	Upper cable for console	734S5-6-2572-00	300L	1
64	Middle cable for console	734S5-6-2587-00	1000L	1
65	Lower cable for console	734S5-6-2573-00	1300L	1
66	Electric cable	26100-6-1775-02	1700L	1
67	Tension cable	734S0-6-2603-02	D1.5*507.5L	1
68	control board	734S5-6-2597-00	PA-AE00550, EMS	1
69	Saddle	58001-6-1352-B0	LS-A13	1
71L	left gasket for chaincover	734S0-6-4548-B0	179.9*52.1*21.2	1
71R	Right gasket for chaincover	734S0-6-4549-B0	179.9*52.1*21.2	1
72	Adjustable tube for saddle	734S0-3-4000-A42		1
73	sensor cable	815G0-6-2576-00	450L	1
74A	Live line	734S5-6-3480-00	1100L	1
74B	Netural line	734S5-6-3479-00	1100L	1
75	Upper protective cover	734S0-6-4580-B0	170*147*125.5	1
76	computer	734S5-6-2501-B0	AC00511	1
77	C ring	55517-1-0010-00	S-17(1T)	1
78	waved washer	55117-5-2203-DA	D17*D22*0.3T	3
79	bearing	58006-6-1026-01	6203-2RS	2
80	Flat Washer	55110-1-5030-NA	D50*D10*3T	1
81	Bolt	50108-5-0030-C4	M8*1.25*30L	1
82	Flat Washer	55108-1-2830-NA	D28*D8.5*3T	1
83	Plastic cover	803K0-6-1082-00	D3*30L	2
84	spring	58003-6-1024-N0	D2.2*D14*65L	1
85	Fixing Plate For Idle Wheel	734S0-3-1600-00		1
86	Plastic Flat washer	55110-1-2404-BF	D10*D24*0.4T	2
87	Hex nut	55208-2-2006-NA	M8*1.25*6T	1
88	nut	55208-1-2008-FA	M8*1.25*8T	3
89	Adjustable rod	734S0-3-2225-N0		1
90	Bolt	51608-5-0016-F0	M8*1.25*16L	2
91	spring	58003-6-1078-N0	D1.5*D14*50L	1
92	Bolt	53205-2-0040-N0	M5*0.8*40L	1

93	Fixing bar	734S0-6-2210-N1	D6*49L	1
94	Tighten gasket	734S0-6-4086-B0	D38*11T	1
95	screw	54006-5-0045-F3	M6*1.0*45L	1
96	Pull handle	734S0-6-2274-B0	152.5*53*32.2	1
97	End cap for adjustable handle	734S0-6-4085-B0	74*D37*3T	1
98	bolt	50508-5-0050-D3	M8x1.25x50L	1
99	buffer	55308-4-0020-G9	D10.5*20L	2
100	block plate	734S0-6-4073-N0	31*31*6T	1
101	moving wheel	26100-6-1087-B0	D65*24	2
102	Round head cross screw	51005-2-0012-F0	ST5*12L	8
103	Inner hex fastening screw	54605-2-0012-D0	M5*0.8*12L	2
104	water bottle holder	747S0-6-2074-B0	113*138.3*120.5	1
105	water bottle holder(front)(black)	749S0-6-2092-B0	203.1*189*157.4	1
106	water bottle holder(rear)(black)	749S0-6-2091-B0	189*154.2*67.9	1
107	cap	55376-1-0016-B8	D76*16	4
108	snakeskin pipe	734S2-6-3483-00	D10*1050	1
	Allen spanner	58030-6-1031-N1	M6	1
	open spanner	58030-6-1035-N1	155*30*5T	1
	open spanner	58030-6-1035-N1	155*30*5T	1



# 8.3 Exploded Drawing



Training equipment from Taurus® is subject to strict quality control. However, if a fitness equipment purchased from us does not work perfectly, we take it very seriously and ask you to contact our customer service as indicated. We are happy to help you by phone via our service hotline.

### **Error Descriptions**

Your fitness equipment is developed for long-term, high-quality training. However, should a problem arise, please first read the operating instructions. For further assistance, please contact your contract partner or call our service hotline. To ensure your problem is solved as quickly as possible, please describe the defect as exactly as possible.

In addition to the statutory warranty, we provide a warranty for every fitness equipment purchased from us according to the following provisions.

**Your statutory rights are not affected.**

### **Warrantee**

The warrantee is the first/original buyer and/or any person who received a newly purchased product as a gift from the original buyer.

### **Warranty period**

The warranty periods, shown on our web shop, begin on delivery of the fitness equipment. The respective warranty periods for your equipment can be found on its product website.

### **Repair Costs**

According to our choice, there will either be a repair, a replacement of individual damaged parts or a complete replacement. Spare parts, that have to be mounted while assembling the equipment, have to be replaced by the warrantee personally and are not a part of repair. After the expiration of the warranty period for repair costs, a pure parts warranty applies, which does not include the repair, installation and delivery costs.

### **The terms of use are defined as follows:**

- + Home use: solely for private use in private households up to 3 hours per day
- + Semi-professional use: up to 6 hours per day (e. g. rehabilitation centres, hotels, clubs, company gyms)
- + Professional use: more than 6 hours per day (e. g. commercial gyms)

### **Warranty Service**

Within the warranty period, equipment which develops faults as a result of material or manufacturing defects, will be repaired or replaced at our discretion. Ownership of equipment or parts of equipment which have been replaced is transferred to us. The warranty period is not extended nor does a new warranty period begin following repair or replacement under the warranty.

## **Warranty Conditions**

For the warranty to be valid, the following steps must be taken:

Please contact our customer service by email or phone. If the product under warranty has to be sent in for repair, the seller bears costs. After expiry of the warranty, the buyer bears the costs of transport and insurance. If the fault is covered by our warranty, you will receive a new or repaired equipment in return.

### **Warranty claims are invalid in case of damage resulting from:**

- + misuse or improper handling
- + environmental influences (moisture, heat, electrical surge, dust, etc.)
- + failure to follow the current safety measures for the equipment
- + failure to follow the operating instructions
- + use of force (e. g. hitting, kicking, falling)
- + interventions which were not carried out by one of our authorized service centres
- + unauthorised repair attempts

### **Proof of Purchase and Serial Number**

Please make sure that you are able to provide the appropriate receipt when claiming on your warranty. So that we can clearly identify the model of your equipment, and for the purposes of our quality control, you will need to give the serial number of your equipment, when contacting the service team. Where possible please have your serial number and your customer number ready when you call our service hotline. It will help us to deal with your request swiftly.

If you cannot find the serial number on your fitness equipment, our service team is at your disposal to offer further information.

### **Service outside of the Warranty Period**

We are also happy to issue an individual cost estimate if there is a problem with your fitness equipment after the warranty has expired, or in cases which do not fall under the terms of the warranty, e. g. normal wear and tear. Please contact our customer service team to find a quick and cost-effective solution to your problem. In such a case you will be responsible for the delivery costs.

### **Communication**

Many problems can be solved just by speaking to us as your specialist supplier. We know how important it is to you as a user of the fitness equipment to have problems solved quickly and simply, so you can enjoy working out with minimal interruption. For that reason, we also want to resolve your queries quickly and in a straightforward manner. Thus, please always keep your customer number and the serial number of the faulty equipment handy.

DE	DK	FR
<p><b>TECHNIK</b></p> <p> +49 4621 4210-900</p> <p> +49 4621 4210-698</p> <p> <a href="mailto:technik@sport-tiedje.de">technik@sport-tiedje.de</a></p> <p> Öffnungszeiten entnehmen Sie unserer Homepage.</p> <p><b>SERVICE</b></p> <p> 0800 20 20277 (kostenlos)</p> <p> <a href="mailto:info@sport-tiedje.de">info@sport-tiedje.de</a></p> <p> Öffnungszeiten entnehmen Sie unserer Homepage.</p>	<p><b>TEKNIK OG SERVICE</b></p> <p> 80 90 16 50</p> <p>+49 4621 4210-945</p> <p> <a href="mailto:info@fitshop.dk">info@fitshop.dk</a></p> <p> Åbningstider kan findes på hjemmesiden.</p>	<p><b>TECHNIQUE &amp; SERVICE</b></p> <p> +33 (0) 172 770033</p> <p>+49 4621 4210-933</p> <p> <a href="mailto:service-france@fitshop.fr">service-france@fitshop.fr</a></p> <p> Vous trouverez les heures d'ouverture sur notre site Internet.</p>
	PL	BE
	<p><b>TECHNIKA I SERWIS</b></p> <p> 22 307 43 21</p> <p>+49 4621 42 10-948</p> <p> <a href="mailto:info@fitshop.pl">info@fitshop.pl</a></p> <p> Godziny otwarcia można znaleźć na stronie głównej.</p>	<p><b>TECHNIQUE &amp; SERVICE</b></p> <p> 02 732 46 77</p> <p>+49 4621 42 10-932</p> <p> <a href="mailto:info@fitshop.be">info@fitshop.be</a></p> <p> Vous trouverez les heures d'ouverture sur notre site Internet.</p>

UK	NL	INT
<p><b>TECHNICAL SUPPORT</b></p> <p> +44 141 876 3986</p> <p> <a href="mailto:support@powerhousefitness.co.uk">support@powerhousefitness.co.uk</a></p> <p><b>SERVICE</b></p> <p> +44 141 876 3972</p> <p> You can find the opening hours on our homepage.</p>	<p><b>TECHNISCHE DIENST &amp; SERVICE</b></p> <p> +31 172 619961</p> <p> <a href="mailto:info@fitshop.nl">info@fitshop.nl</a></p> <p> De openingstijden vindt u op onze homepage.</p>	<p><b>TECHNICAL SUPPORT &amp; SERVICE</b></p> <p> +49 4621 4210-944</p> <p> <a href="mailto:service-int@sport-tiedje.de">service-int@sport-tiedje.de</a></p> <p> You can find the opening hours on our homepage.</p>
	AT	CH
	<p><b>TECHNIK &amp; SERVICE</b></p> <p> 0800 20 20277 (Freecall)</p> <p>+49 4621 42 10-0</p> <p> <a href="mailto:info@sport-tiedje.at">info@sport-tiedje.at</a></p> <p> Öffnungszeiten entnehmen Sie unserer Homepage.</p>	<p><b>TECHNIK &amp; SERVICE</b></p> <p> 0800 202 027</p> <p>+49 4621 42 10-0</p> <p> <a href="mailto:info@sport-tiedje.ch">info@sport-tiedje.ch</a></p> <p> Öffnungszeiten entnehmen Sie unserer Homepage.</p>

Please find a detailed overview including address and opening hours for all stores of the Sport-Tiedje Group in Germany and abroad on the following website:

[www.sport-tiedje.com/en/stores](http://www.sport-tiedje.com/en/stores)

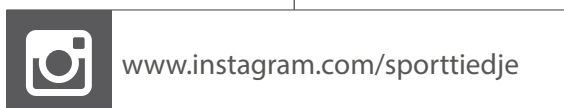
# WE LIVE FITNESS

## WEBSHOP AND SOCIAL MEDIA

Sport-Tiedje is Europe's largest specialist store for home fitness equipment with currently over 70 stores and one of the world's most renowned online mail order companies for fitness equipment. Private customers order via the 25 web shops in the respective national language or have their desired equipment assembled on site. In addition, the company supplies fitness studios, hotels, sports clubs, companies and physio practices with professional equipment for endurance and strength training.

Sport-Tiedje offers a wide range of fitness equipment from renowned manufacturers, high-quality in-house developments and comprehensive services, such as a build-up service and sports scientific advice before and after the purchase. The company employs numerous sports scientists, fitness trainers and competitive athletes.

Visit us also on our social media platforms or our blog!



Notes



# **TAURUS<sup>®</sup>**

**Upright Bike UB9.9 Touch**