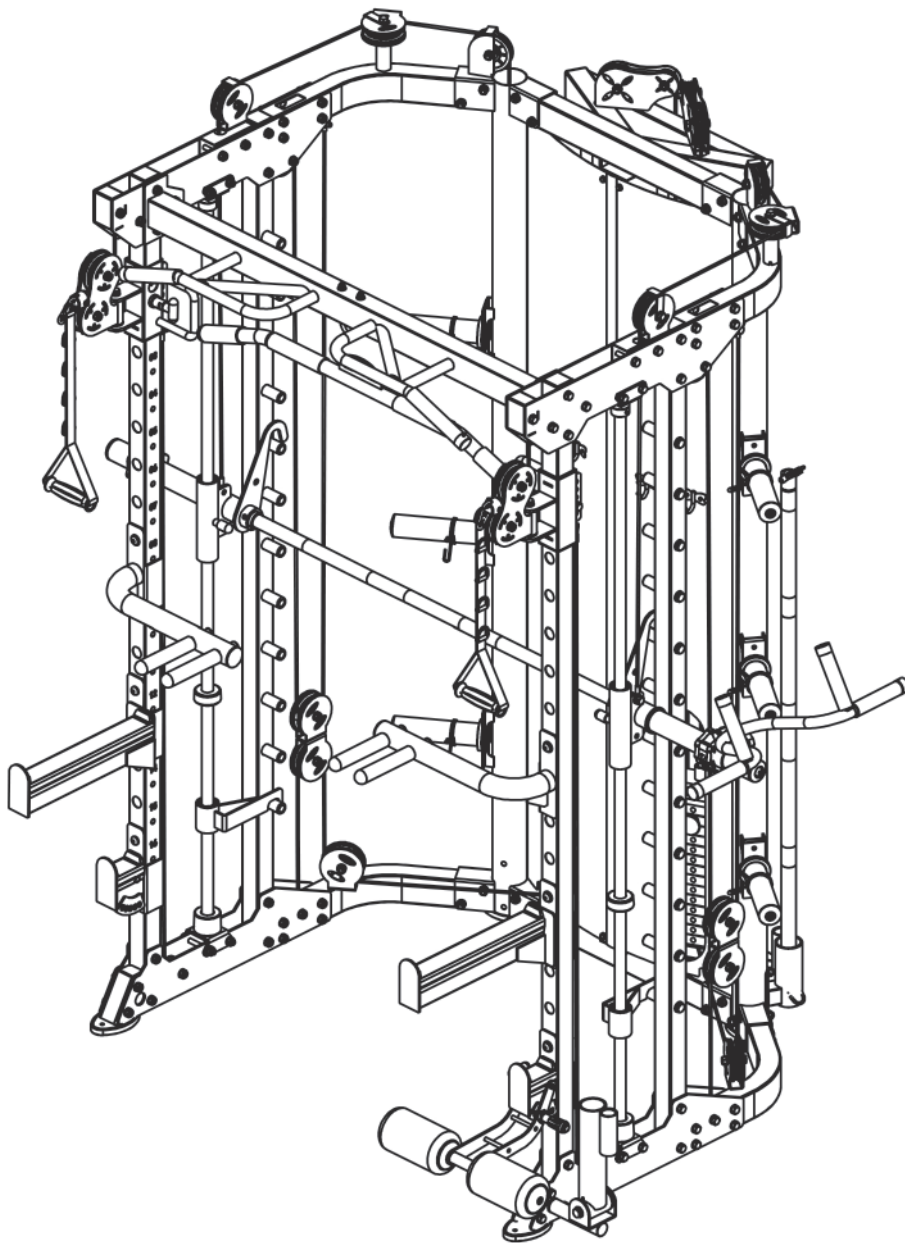


TAURUS®

Assembly and Operating Instructions



~ 210 Min. 



 400 kg

L 148 | W 201 | H 224

TFMSPRO.01.08

Art. No. TF-MS-PRO

Taurus Multi Smith Machine Pro

Content

1	GENERAL INFORMATION	7
1.1	Technical Data	7
1.2	Personal Safety	8
1.3	Set-Up Place	9
2	ASSEMBLY	10
2.1	General Instructions	10
2.2	Scope of Delivery	11
2.3	Assembly	24
2.4	Optional Accessories	44
2.4.1	Scope of Delivery - Leg Press	44
2.4.2	Assembly - Leg Press	44
2.4.3	Scope of Delivery - Jammer Arm	45
2.4.4	Assembly - Jammer Arm	47
3	STORAGE AND TRANSPORT	49
3.1	General Instructions	49
4	TROUBLESHOOTING, CARE AND MAINTENANCE	49
4.1	General Instructions	49
4.2	Faults and Fault Diagnosis	50
4.3	Maintenance and Inspection Calendar	50
5	DISPOSAL	50
6	RECOMMENDED ACCESSORIES	51
7	ORDERING SPARE PARTS	52
7.1	Serial Number and Model Name	52
7.2	Parts List - Multi Gym	53
7.3	Exploded Drawing - Multi Gym	56
7.4	Parts List - Jammer Arm	57
7.5	Exploded Drawing - Jammer Arm	57
8	WARRANTY	58
9	CONTACT	60

Dear customer,

Thank you for choosing a high-quality equipment of the brand Taurus®. Taurus® offers sports and fitness equipment for the sophisticated home sport and the equipment of fitness studios and business customers. With Taurus® fitness equipment, the focus is on what sport is all about: maximum performance! Therefore, the equipment is developed in close consultation with athletes and sports scientists. Because athletes know best what makes perfect fitness equipment.

Further information can be found at www.sport-tiedje.com.

Intended Use

The equipment may only be used for its intended purpose.

The equipment is suitable for home use and semi-professional use (e.g. hospitals, clubs, hotels, schools, etc.). The equipment is not suitable for commercial or professional use (e.g. fitness studio).

Disclaimer



©2011 Taurus® is a registered brand of the company Sport-Tiedje GmbH. All rights reserved. Any use of this trademark without the explicit written permission of Sport-Tiedje is prohibited.

Product and manual are subject to change. Technical data can be changed without advance notice.

ABOUT THIS MANUAL

Please carefully read the entire manual before installation and first use. The manual will help you to quickly set up the system and explains how to safely use it. Make sure that all persons exercising with the equipment (especially children and persons with physical, sensory, mental or motor disabilities) are informed about this manual and its contents in advance. In case of doubt, responsible persons must supervise the use of the equipment.



Due to ongoing changes and software optimisations, the manual may have to be updated. If you notice any discrepancies during assembly or use, please refer to the manual uploaded to the webshop. The latest manual is always available there.

This equipment has been manufactured according to the latest safety knowledge. As far as possible, potential safety hazards which could cause injury have been eliminated. Make sure to carefully follow the instructions and that all parts are securely in place. If required, read through the instructions again to correct any mistakes.

Please pay close attention to the safety and maintenance instructions given here. The contract partner cannot be held liable for damage to health, accidents or damage to the equipment when it is not used in accordance with these instructions.

The following safety instructions may appear in this manual:

► **ATTENTION**

This notice indicates potentially hazardous situations which, if not avoided, may result in property damage.

⚠ **CAUTION**

This notice indicates potentially hazardous situations which, if not avoided, may result in slight or minor injuries!

⚠ **WARNING**

This notice indicates potentially hazardous situations which, if not avoided, may result in death or serious injuries!

⚠ **DANGER**

This notice indicates potentially hazardous situations which, if not avoided, will result in death or serious injuries!

ⓘ **NOTICE**

This notice indicates further useful information.

Retain these instructions in a safe place for future reference, maintenance or when ordering replacement parts.

1.1 Technical Data

Weight and dimensions:

Packaging dimensions (L x W x H) and weight approx:

Box 1	221 cm x 96 cm x 38 cm	239 kg
Box 2 (2x)	28 cm x 20 cm x 12 cm	19 kg
Box 3 (6x)	28 cm x 20 cm x 12 cm	24.5 kg

Article weight (gross, incl. packaging):	424 kg
Article weight (net, without packaging):	400 kg
Set-up dimensions (L x W x H) approx.:	148 cm x 202 cm x 220 cm

Maximum user weight (chin-up bar):	150 kg
Maximum load (barbell bar):	200 kg
Maximum user weight (jammer arms):	100 kg each

Cables and pulleys:

Material:	Steel
Coating:	Nylon
Quantity of cables:	3
Cable length:	274.5 cm, 409.5 cm, 717.7 cm
Cable thickness:	2.5 cm
Pulley diameter:	9.5 cm

Weight stack:

Quantity:	2
Total weight:	90 kg (per weight stack)
Weight plates:	20 (per weight stack)

1.2 Personal Safety

DANGER

- + Before you start using the equipment, you should consult your physician that this type of exercise is suitable for you from a health perspective. Particularly affected are persons who: have a hereditary disposition to high blood pressure or heart disease, are over the age of 45, smoke, have high cholesterol values, are overweight and/or have not exercised regularly in the past year. If you are under medical treatment that affects your heart rate, medical advice is absolutely essential.
- + Note that excessive training can seriously endanger your health. Please also note that heart rate monitoring systems can be inaccurate. If you notice any signs of weakness, nausea, dizziness, pain, shortness of breath, or other abnormal symptoms, stop exercising immediately and seek advice from your doctor if necessary.

WARNING

- + This equipment may not be used by children under the age of 14.
- + Children should not be allowed unsupervised access to the equipment.
- + Persons with disabilities must have a medical license and must be under strict observation when using the equipment.
- + The equipment is strictly for use by one person at a time.
- + If your equipment provides a safety key, the clip of the safety key must be attached to your clothing before starting your training. In the event of a fall, the EMERGENCY STOP of the equipment can be initiated.
- + Keep your hands, feet and other body parts, hair, clothing, jewellery and other objects well clear of moving parts.
- + During use, wear suitable sports clothing rather than loose or baggy clothing. When wearing sports shoes, make sure they have suitable soles, preferably made of rubber or other non-slip materials. Shoes with heels, leather soles, studs or spikes are unsuitable. Never exercise barefoot.

CAUTION

- + If your equipment needs to be connected to the power supply with a mains cable, make sure that the cable is not a potential tripping hazard.
- + Make sure that nobody is within the range of motion of the equipment during training so as not to endanger you or other persons.

ATTENTION

- + Do not insert any objects of any kind into the openings of the device.

1.3 Set-Up Place

WARNING

- + Do not place the equipment in main corridors or escape routes.

CAUTION

- + Choose a location in which to place the equipment such that there is enough free space/clearance to the front, the rear and to the sides of the equipment.
- + The training room should be well ventilated during training and not be exposed to any draughts.
- + Choose the place in which to set up the equipment such that there is enough free space/clearance to the front, the rear and to the sides of the equipment.
- + The set-up and mounting surface of the equipment should be flat, loadable and solid.

ATTENTION

- + The device may only be used in one building, in sufficiently tempered and dry rooms (ambient temperatures between 10°C and 35°C). The equipment should not be used outdoors or in rooms with high humidity (over 70%) like swimming pools.
- + A floor protective mat/equipment underlay can help to protect high-quality floor coverings (parquet, laminate, cork, carpets) from dents and sweat and can help to level out slight unevenness.

2.1 General Instructions



DANGER

- + Do not leave any tools, packaging materials such as foils or small parts lying around, as otherwise there is a danger of suffocation for children. Keep children away from the equipment during assembly.



WARNING

- + Pay attention to the instructions attached to the equipment in order to reduce the risk of injuries.



CAUTION

- + Ensure to have sufficient room for movement in each direction during assembly.
- + The assembly of the equipment must be carried out by at least two adults. If in doubt, seek the help of a third technically skilled person.



ATTENTION

- + To prevent damage to the equipment and the floor, assemble the equipment on a mat or packaging board.



NOTICE

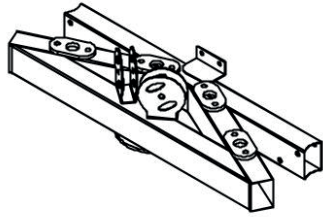
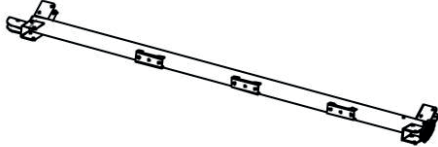
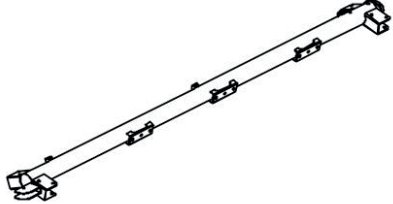
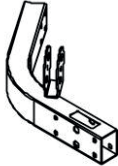

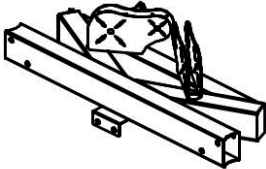
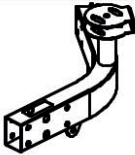
- + In order to make the assembly as simple as possible, some screws and nuts to be used can already be pre-assembled.
- + Ideally, assemble the equipment at its later set-up place.

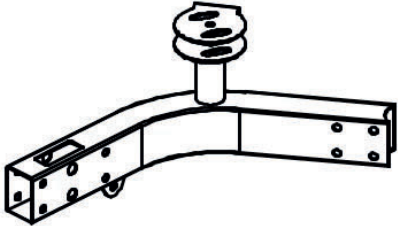
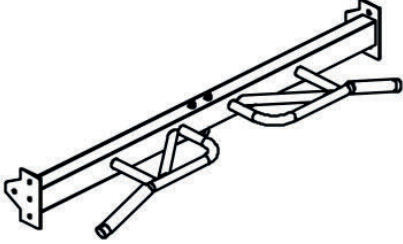
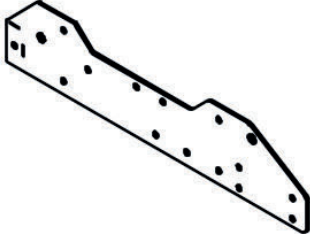
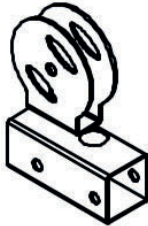
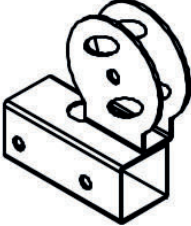
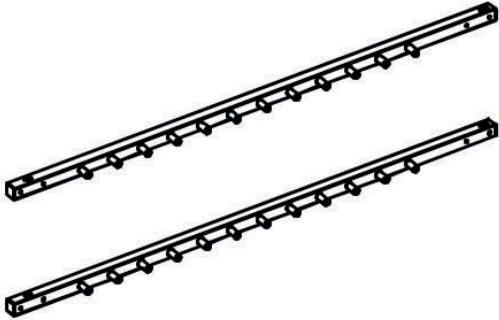
2.2 Scope of Delivery

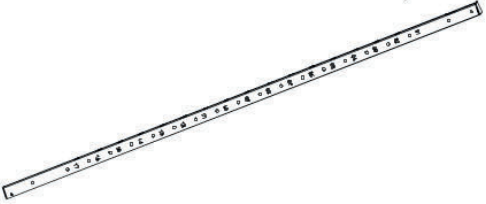
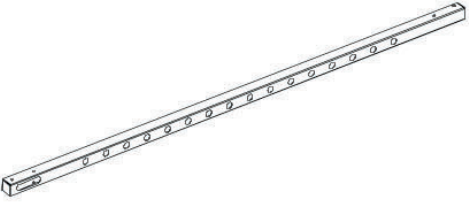
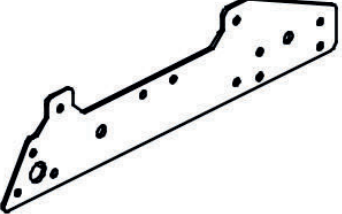
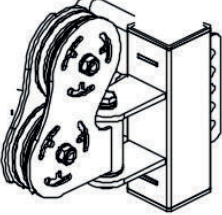
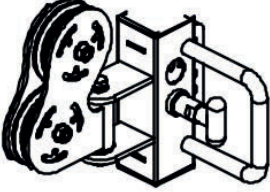

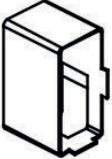
The scope of delivery consist of the following parts. At the beginning, check whether all parts and tools belonging to the device are included in the scope of delivery and whether damage has occurred. In the event of complaints, the contractual partner must be contacted directly.

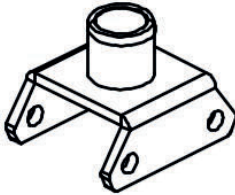
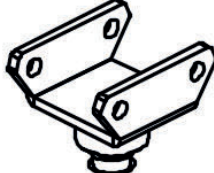
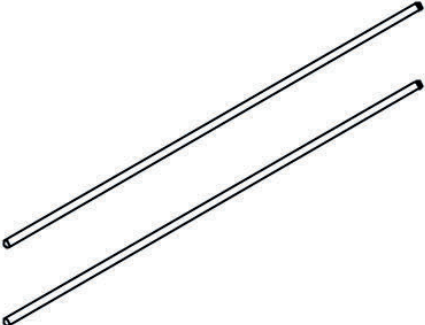

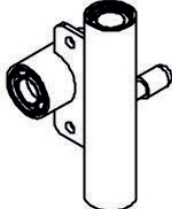
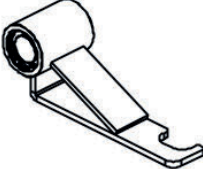
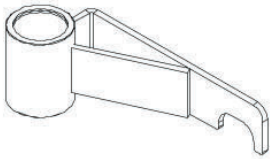
⚠ CAUTION



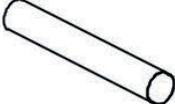

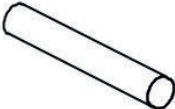
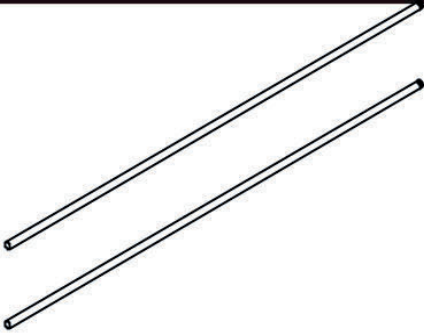

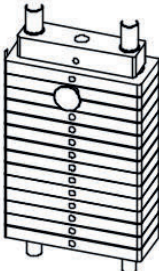
If parts of the scope of delivery are missing or damaged, the assembly must not be carried out.

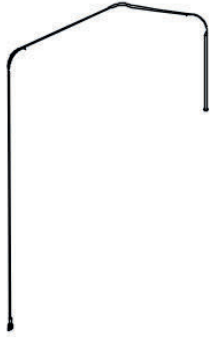



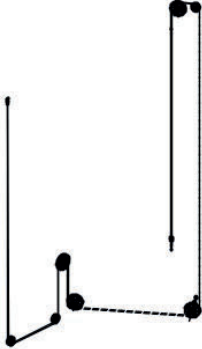
NO.	PART NAME	QTY.	
1	connection tube	1	
2	upright frame-left	1	
3	upright frame-right	1	
4	bengding tube-left	1	
5	bengding tube-left	1	
6	upper connection tube	1	
7	upper bending tube right	1	

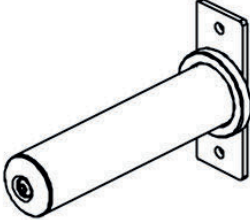
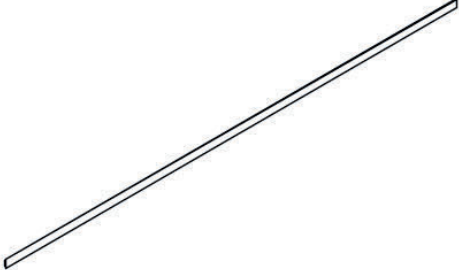
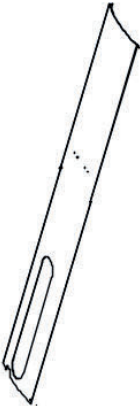
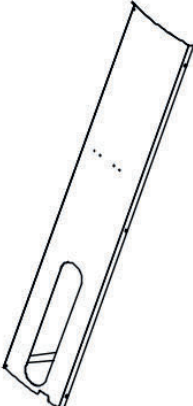

NO.	PART NAME	QTY.	
8	upper bending tube left	1	
12	chin up bar	1	
13	upper plate	4	
14	pulley frametube right	1	
15	pulley frametube left	1	
16	upright tube	2	


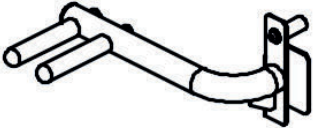
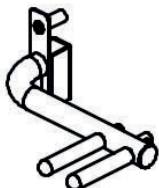
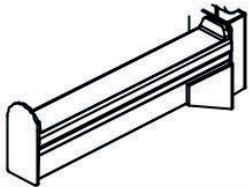
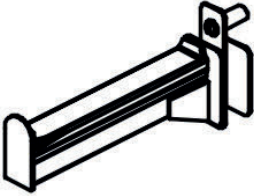


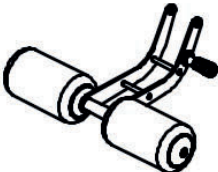
NO.	PART NAME	QTY.	
17	tube with hole right	1	
18	tube with hole left	1	
19	lower plate	4	
20	sliding tube right	1	
21	sliding tube left	1	
22	foot tube cover	2	
23	end tube	2	

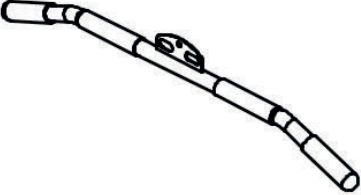
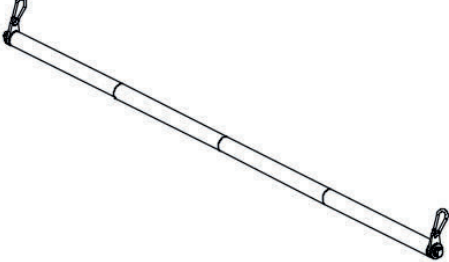
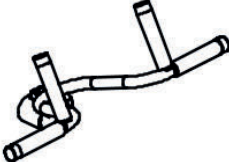
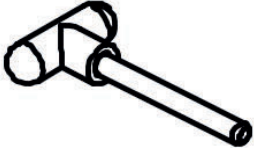
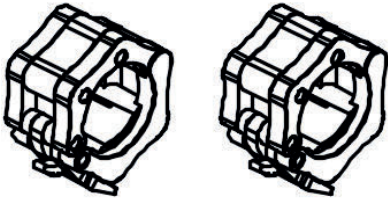

NO.	PART NAME	QTY.	
25	lower base	2	
26	upper base	2	
27	guide bar	2	
28	lock sleeve	2	
29	silding sleeve	2	
31	safety hook right	1	
32	safety hook left	1	

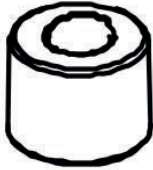

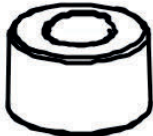


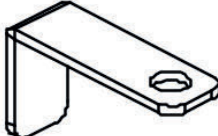
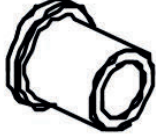

NO.	PART NAME	QTY.	
35	end cap	2	
36	check ring	2	
37	pipe	2	
41	barbell rod	1	
42	inner pipe	2	
45	guide rod hollow	4	
46	reinforcing plate	4	
47	weight stack	2	



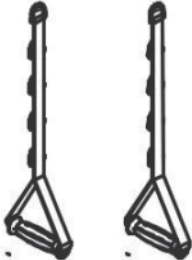
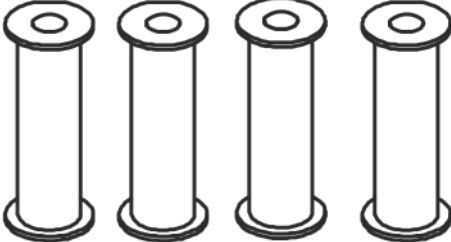
NO.	PART NAME	QTY.	
49	wire	2	
55	weight	2	
56	wire	2	
57	“-”shape pulley frame	2	
60	wire	2	

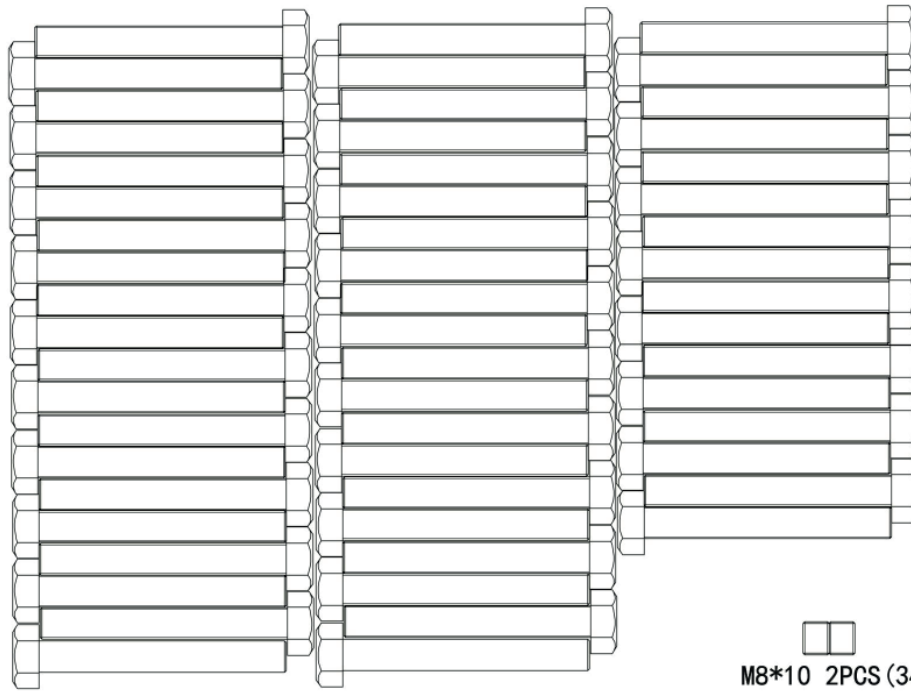
NO.	PART NAME	QTY.	
61	barbell plate holder	6	
62	connection strap	1	
63	shield left	1	
64	shield right	1	
72	core trainer	1	

NO.	PART NAME	QTY.	
74	barbell rod cup	1	
77	dip bar left	1	
78	dip bar left	1	
79	barbell rod holder right	1	
80	barbell rod holder right	1	
81	barbell rod holder short right	1	
82	barbell rod holder short	1	
83	leg curl tube	1	

NO.	PART NAME	QTY.	
84	longer bar	1	
85	ship rod		
87	pull lift device	1	
88	T shape pin	1	
89	barbell clamp collar	2	
90	selector	2	

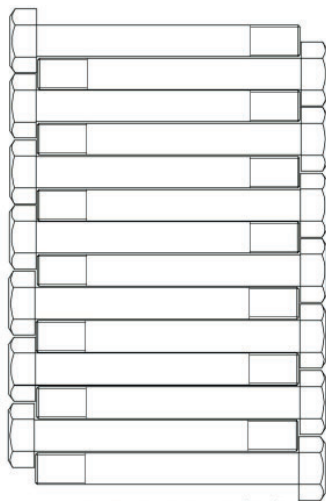
NO.	PART NAME	QTY.	
30	rubber pad with groove	2	
43	rubber pad	2	
44	rubber pad	2	
91	weight pin	2	
50	pulley $\phi 95$	20	
51	pulley plate	6	
58	pulley spacer sleeve	16	
59	pulley $\phi 50$	6	

NO.	PART NAME	QTY.	
67	hook	4	
73	powd metallurgy sleeve	2	
86	hand belt	2	
92	weight stack support tube	4	

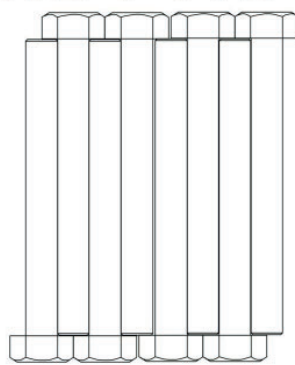


M10*75 54PCS (9)

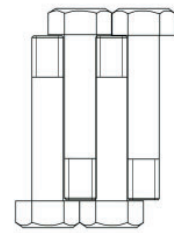
M8*10 2PCS (34)



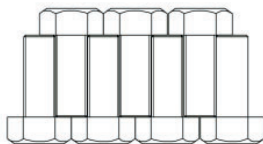
M10*80 14PCS (24)



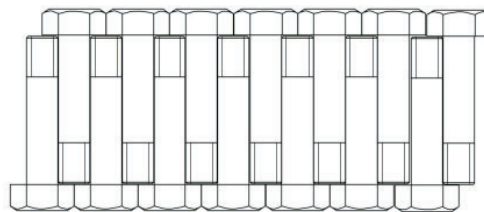
M10*90 8PCS (33)



M10*50 4PCS (53)



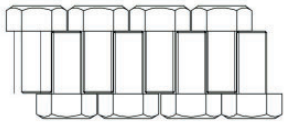
M10*25 7PCS (54)



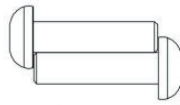
M10*45 14PCS (52)



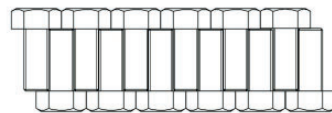
M10*95 2PCS (76)



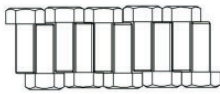
M10*20 8PCS (48)



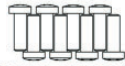
M12*40 2PCS (38)



M8*20 12PCS (70)



M6*16 10PCS (65)



M4*8 8PCS (68)



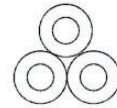
Φ 6 10PCS (66)



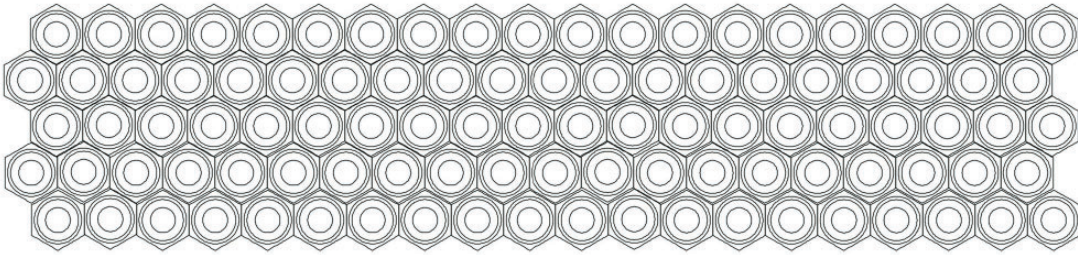
Φ 12 2PCS (40)



Φ 12 2PCS (39)



Φ 8 12PCS (71)



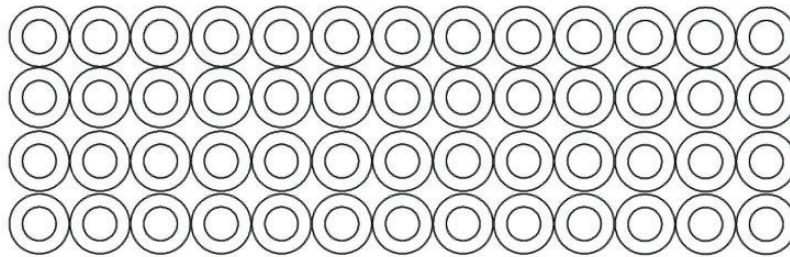
M10 100PCS (10)



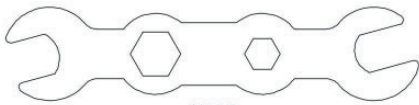
M4 8PCS (69)



Φ 25*Φ 10.5*T2.0
1PCS (75)



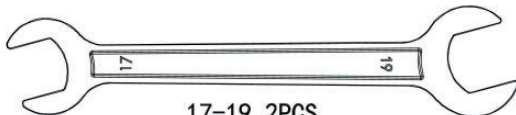
Φ 10 210PCS (11)



1PCS



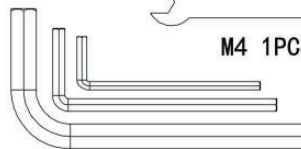
1PCS



17-19 2PCS



M4 1PCS



3、4、8MM 1PCS

2.3 Assembly

Before assembly, take a close look at the individual assembly steps shown and carry out the assembly in the order given.

① NOTICE

- + First loosely screw all parts together and check that they fit properly. Tighten the screws using the tool only when you are instructed to do so.
- + If you have difficulty recognising the graphics, we recommend that you open and/or download the PDF instructions stored in the webshop on your end device (e.g. smartphone, tablet or PC). There you have the option of zooming in closer. Please note that the Adobe Acrobat Reader programme must be installed on your end device in order to open the file.

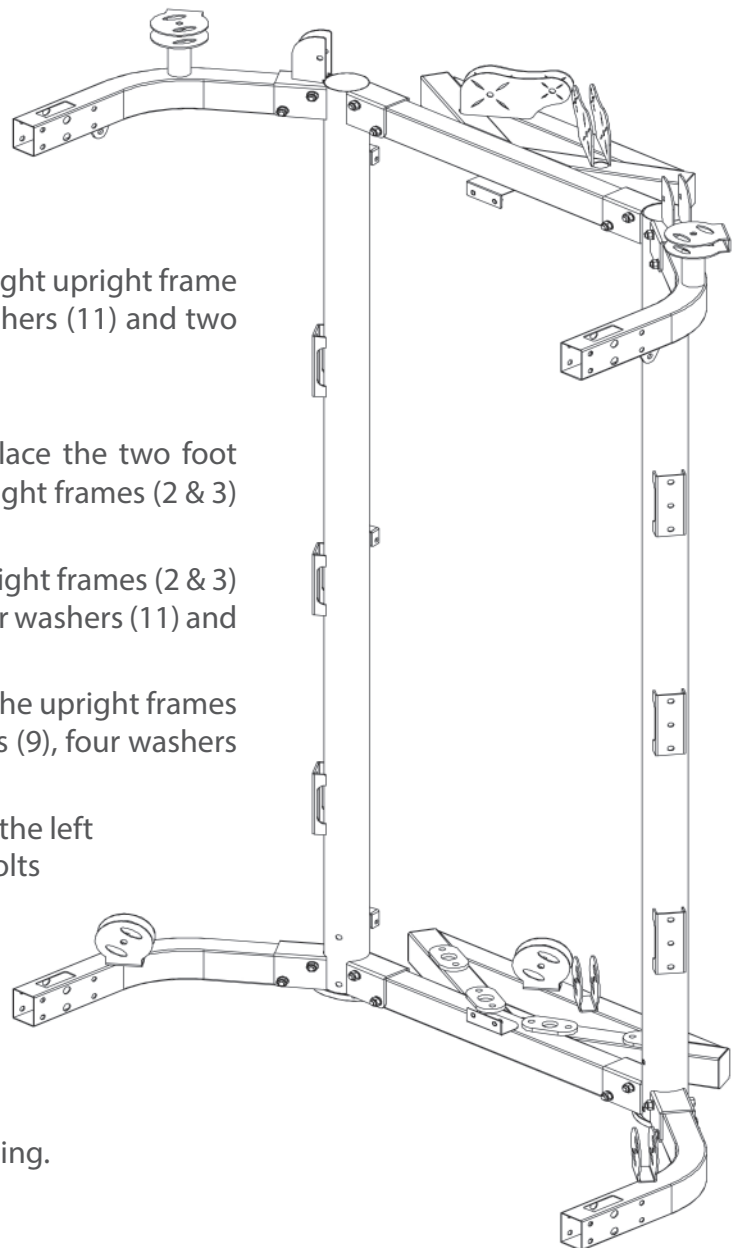
Step 1:

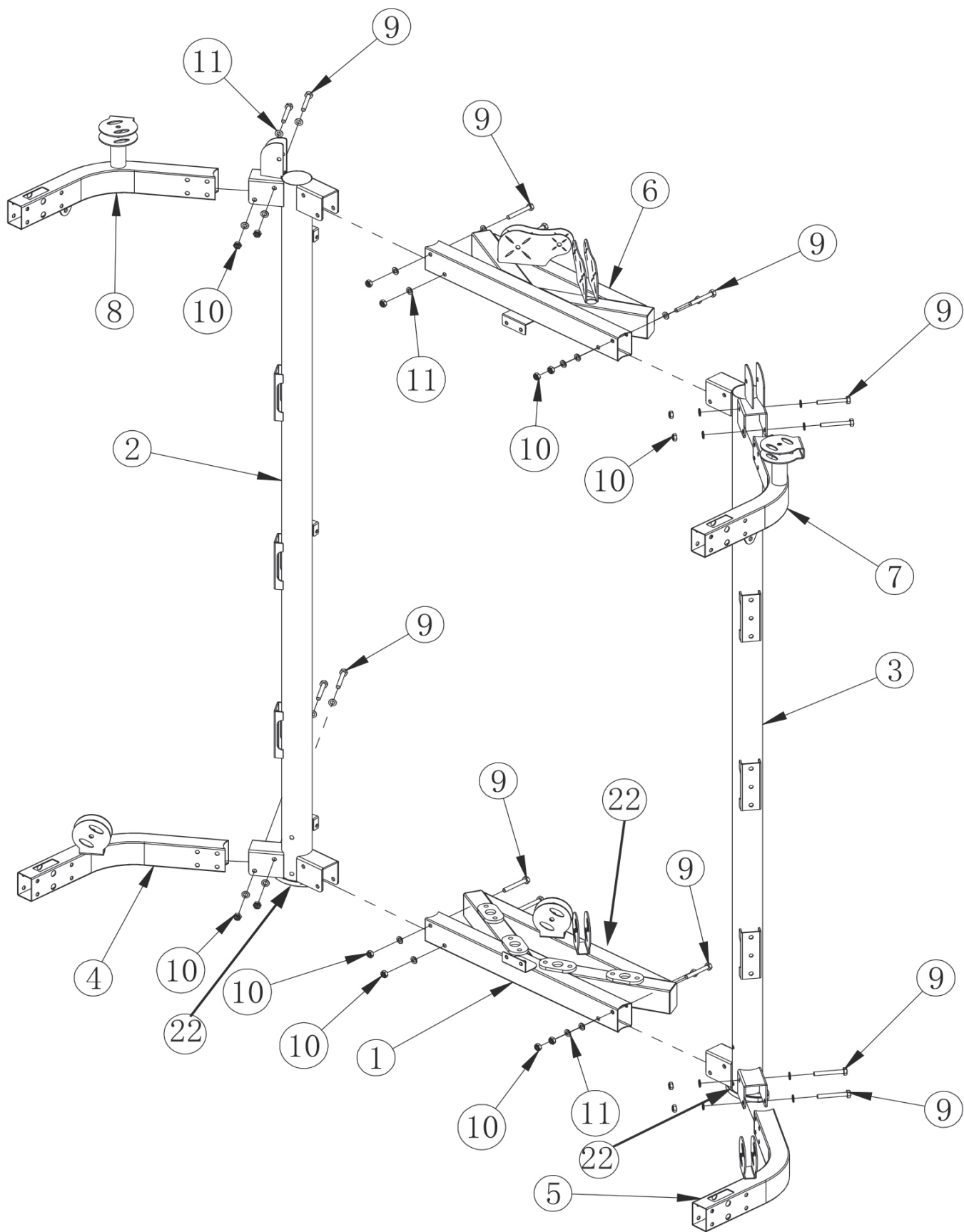
1. Mount the left bending tube (4) to the left upright frame (2) using two hexagon bolts (9), four washers (11) and two lock nuts (10).
2. Mount the right bending tube (5) to the right upright frame (3) using two hexagon bolts (9), four washers (11) and two lock nuts (10).

① NOTICE

Before continuing with the next step, place the two foot tube covers (22) underneath the two upright frames (2 & 3) and the connection tube (1).

3. Mount the connection tube (1) to the upright frames (2 & 3) using a total of four hexagon bolts (9), four washers (11) and four lock nuts (10).
4. Mount the upper connection tube (6) to the upright frames (2 & 3) using a total of four hexagon bolts (9), four washers (11) and four lock nuts (10).
5. Mount the left upper bending tube (8) to the left upright frame (2) using two hexagon bolts (9), four washers (11) and two lock nuts (10).
6. Mount the right upper bending tube (7) to the right upright frame (3) using two hexagon bolts (9), four washers (11) and two lock nuts (10).
7. Tighten all bolts and nuts before proceeding.





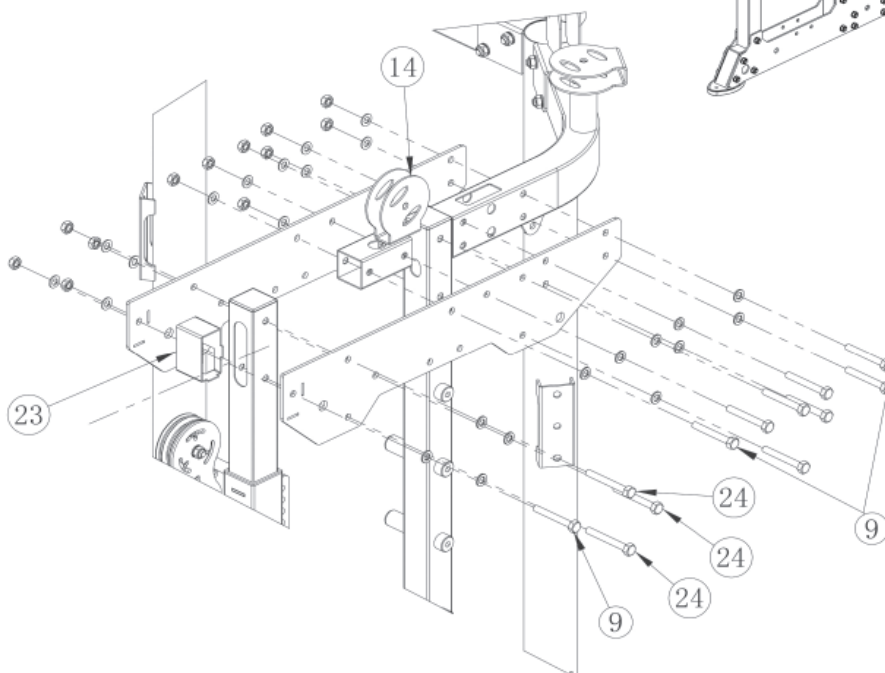
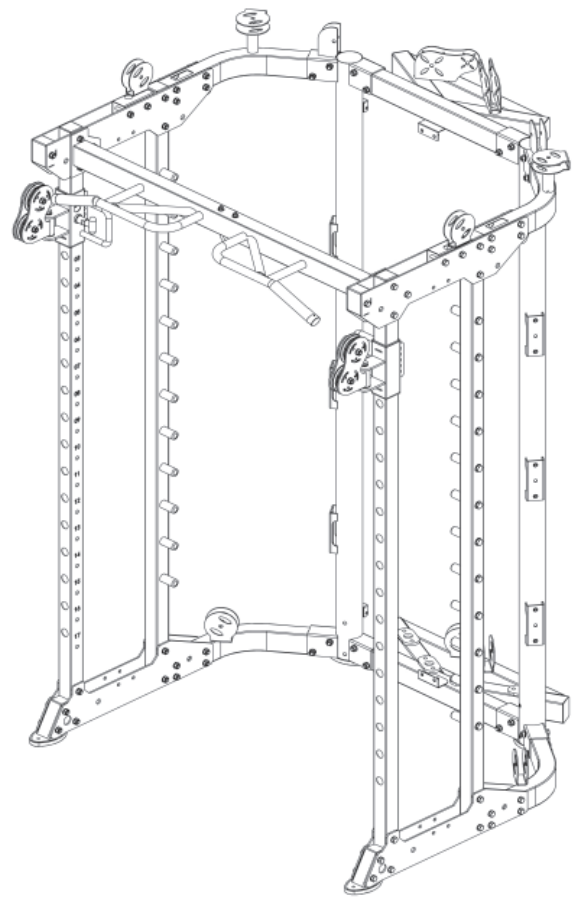
Step 2:

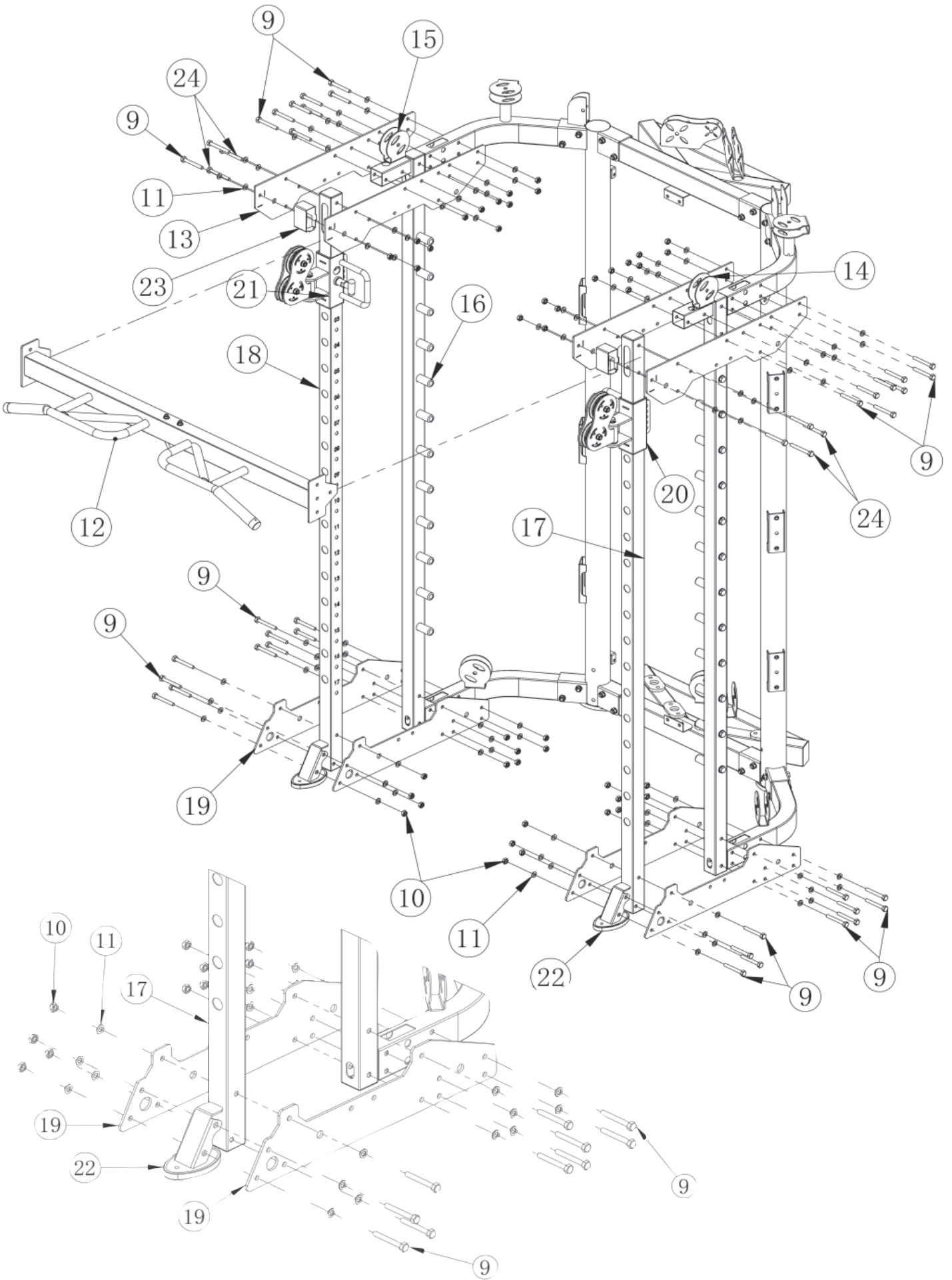
1. Slide the left sliding tube (21) onto the left tube (18).
2. Slide the right sliding tube (20) onto the right tube (17).
3. Mount the upright tubes (16) to the bending tubes (4 & 5) together with the four lower plates (19) using a total of seven hexagon bolts (9), 14 washers (11) and seven lock nuts (10).
4. Fix the two pulley frame tubes (14 & 15) between the upper plates (13) at the respective upright tube (16) using two hexagon bolts (9), four washers (11) and two lock nuts (10) each.

NOTICE

Before continuing with the next step, place the two foot tube covers (22) underneath the two tubes (17 & 18).

5. Secure the left and right tube (17 & 18) between the upper and lower plates (13 & 19) using four hexagon bolts (9), eight washers (11) and four lock nuts (10).
6. Mount the end tubes (23) left and right between the upper plates (13) at the tubes (17 & 18) using two hexagon bolts (9), four washers (11) and four lock nuts (10) each.
7. Mount the chin up bar (12) to the two upper plates (13) at the tubes (17 & 18) using three hexagon bolts (24), six washers (11) and three lock nuts (10) on each side.
8. Tighten the bolts and nuts.





Step 3:

1. Mount the lower base (25) on the left and right to the lower plates (19) using two hexagon bolts (33), four washers (11) and two lock nuts (10) each.
2. Mount the upper base (26) on the left and right to the upper plates (13) using two hexagon bolts (33), four washers (11) and two lock nuts (10) each.
3. Place the following parts in the right order on the guide rod (27) - 30, 31/32, 43, 29 and 28.
4. Insert the guide rods (27) into the lower and upper base (25 & 26) and then mount them to the upper base (26) with one screw (34) each.
5. Pass the barbell rod (41) through the following parts in the right order - 29, 36, 42, 37 and fasten the end cap (35) with a hexagon head socket (38), a spring washer (39) and a washer (40).
6. Attach the barbell clamp (89) to the barbell rod.
7. Repeat step 5 and step 6 on the other side.
8. Tighten the nuts and bolts.



Installation
order
picture



UP

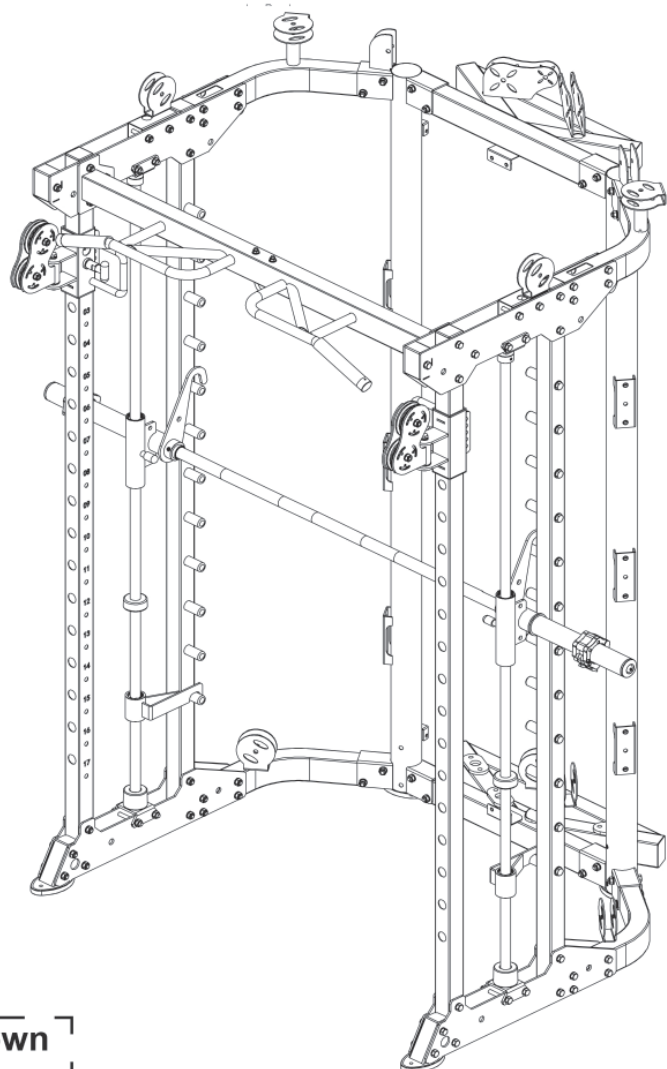
Down

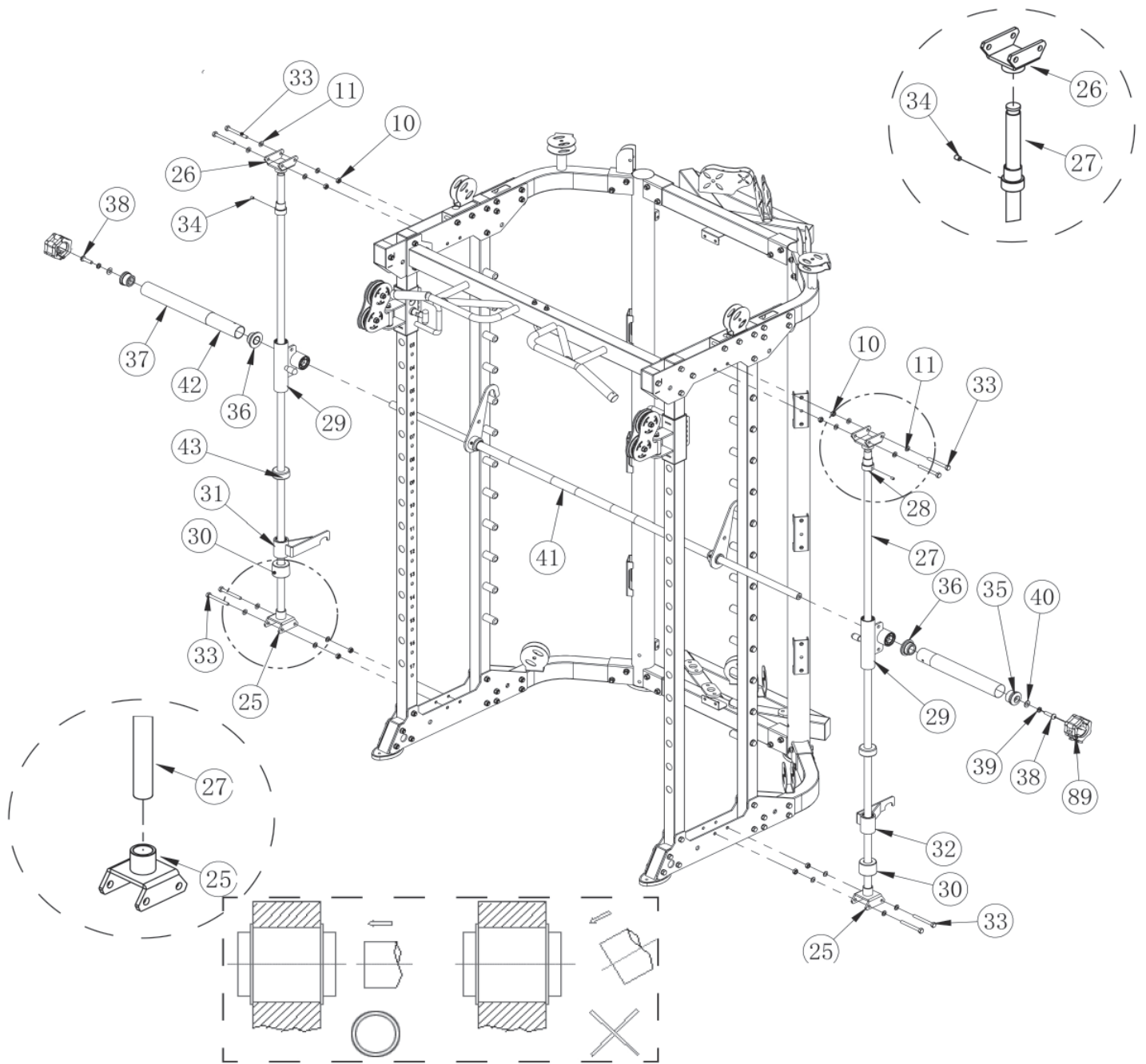


UP



Down





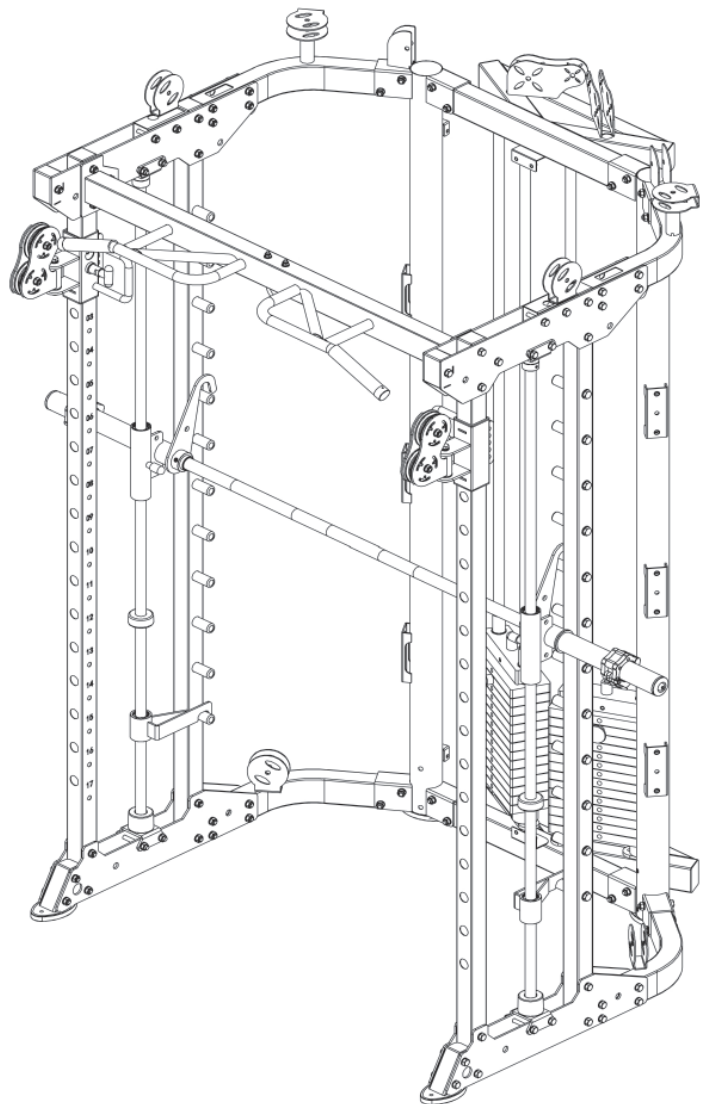
Step 4:

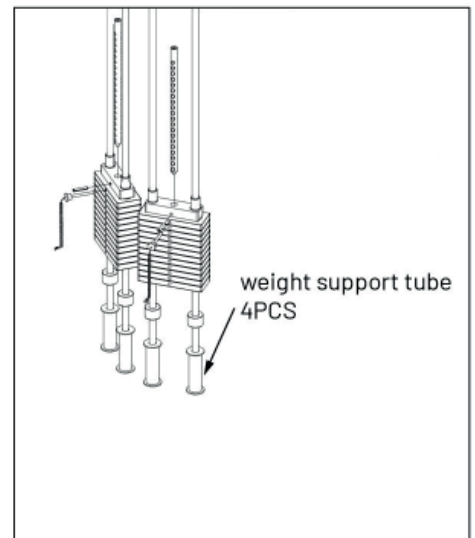
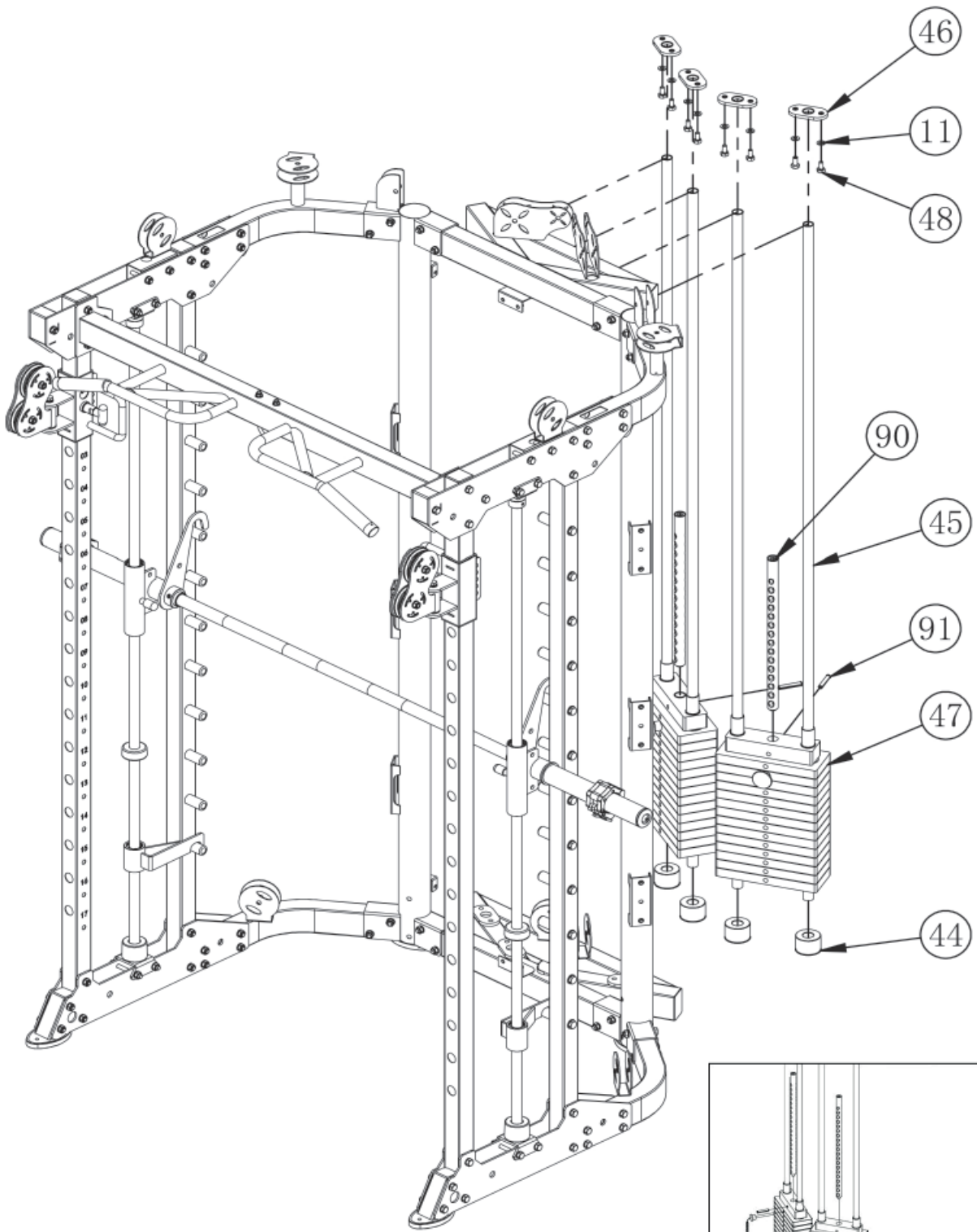
1. Insert the guide rods (45) into the slots of the connection tube (1).

ⓘ NOTICE

The use of the weight support tubes is optional. If you only want to use 60 kg of weight, use the weight support tubes (92) and only 13 weight plates per weight block.

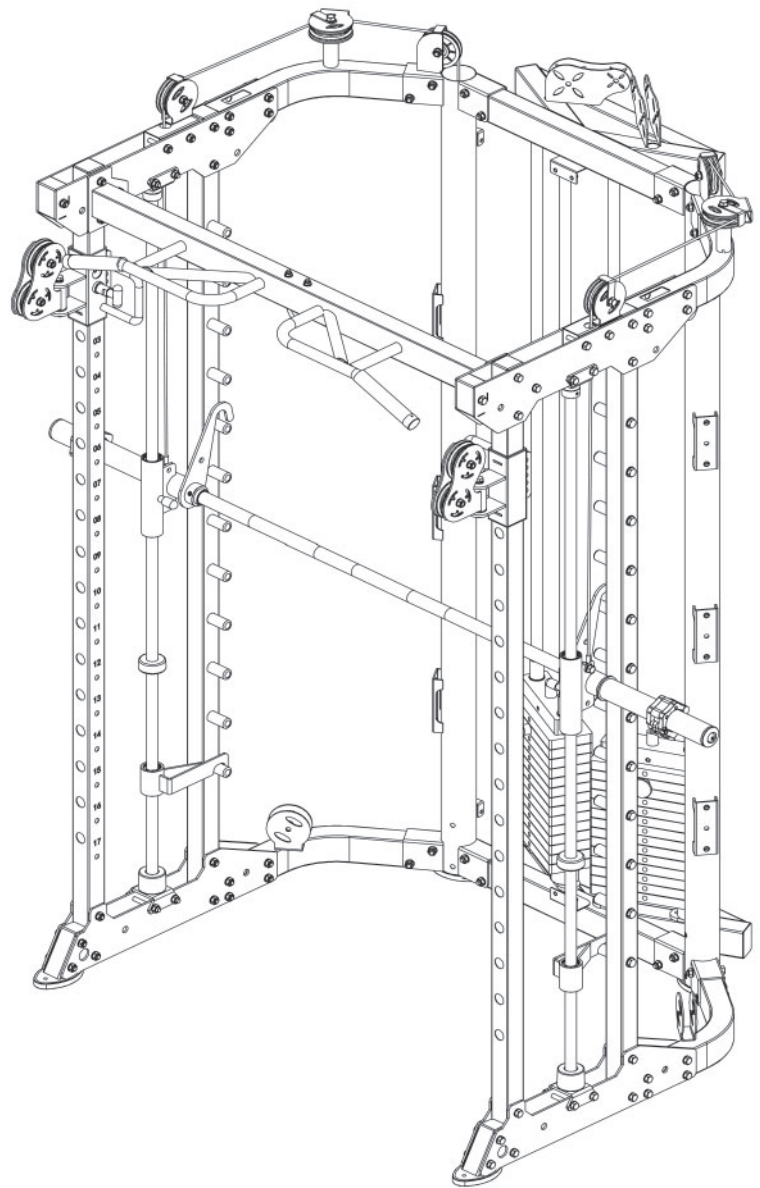
2. Place a rubber pad (44) on each of the guide rods (45).
3. Slide the weight plates of the weight block (47) one by one onto the guide rods (45).
4. Insert the selector rod (90) into the weight block (47).
5. Insert the weight pin (91) into the weight block (47).
6. Mount the guide rods (45) to the upper connection tube (6) using one reinforcing plate (46), two hexagon bolts (48) and two washers (11) each.
7. Tighten the bolts.

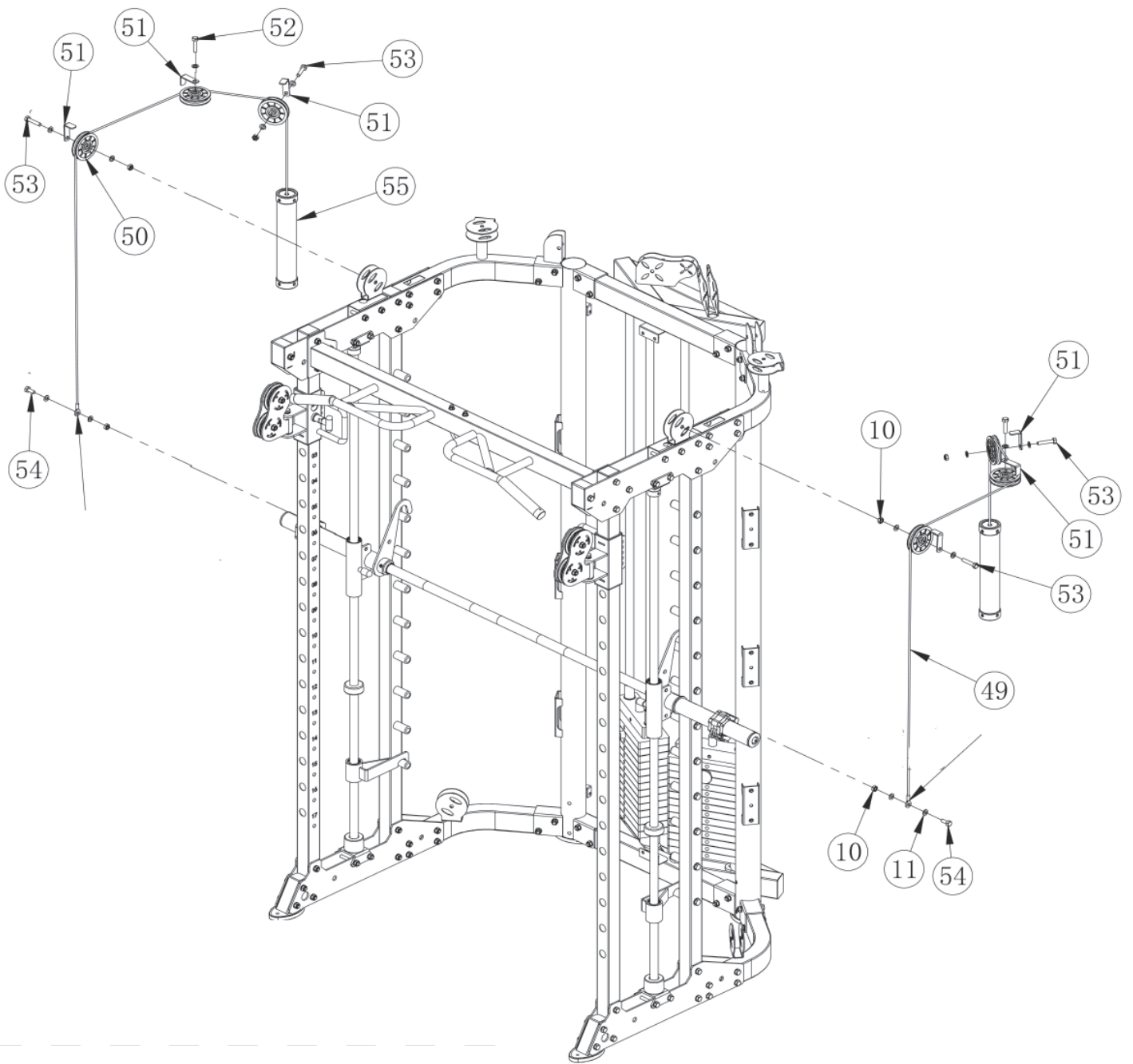




Step 5:

1. Connect the cable (49) to the weight (55) and slide it into the upright frame (2).
2. Guide the cable (49) along the illustrated points and mount the pulleys (50) to the respective pulley brackets.
3. Mount the first pulley (5) with the pulley plate (51) to the bracket with a hexagon bolt (53), two washers (11) and a lock nut (10).
4. Mount the second pulley (50) with the pulley plate (51) to the bracket with a hexagon bolt (52), two washers (11) and a lock nut (10).
5. Mount the third pulley (50) with the pulley plate (51) to the bracket with a hexagon bolt (53), two washers (11) and a lock nut (10).
6. Fix the cable (49) to the sliding sleeve (29) with a hexagon bolt (54), a washer (11) and a lock nut (10).
7. Repeat step 1 to step 6 on the other side of the multi gym.
8. Tighten the bolts and nuts.





Step 6:

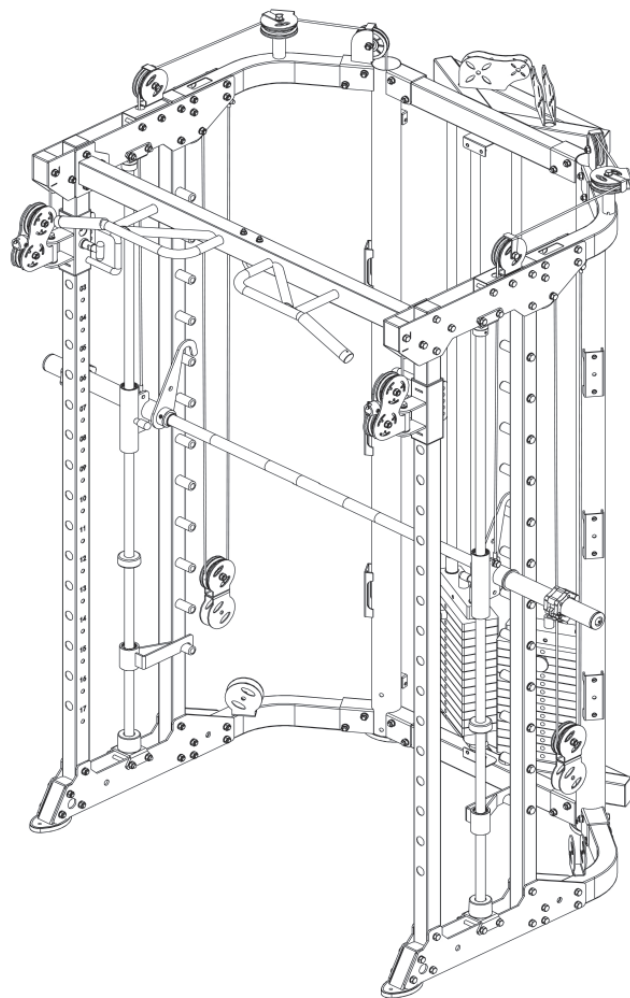
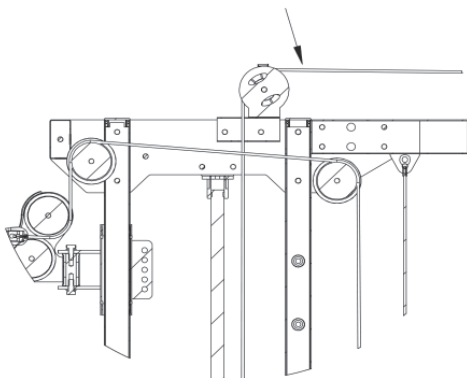
1. Fix the cable (56) to the upper plate (13) with a hexagon bolt (54), two washers (11) and a lock nut (10).
2. Guide the cable (56) along the illustrated points and mount the pulleys (50) to the respective pulley brackets.
3. Guide the cable (56) along the first pulley (50) and mount the pulley (50) to the pulley frame (57) with a hexagon bolt (52), two washers (11) and a lock nut (10).

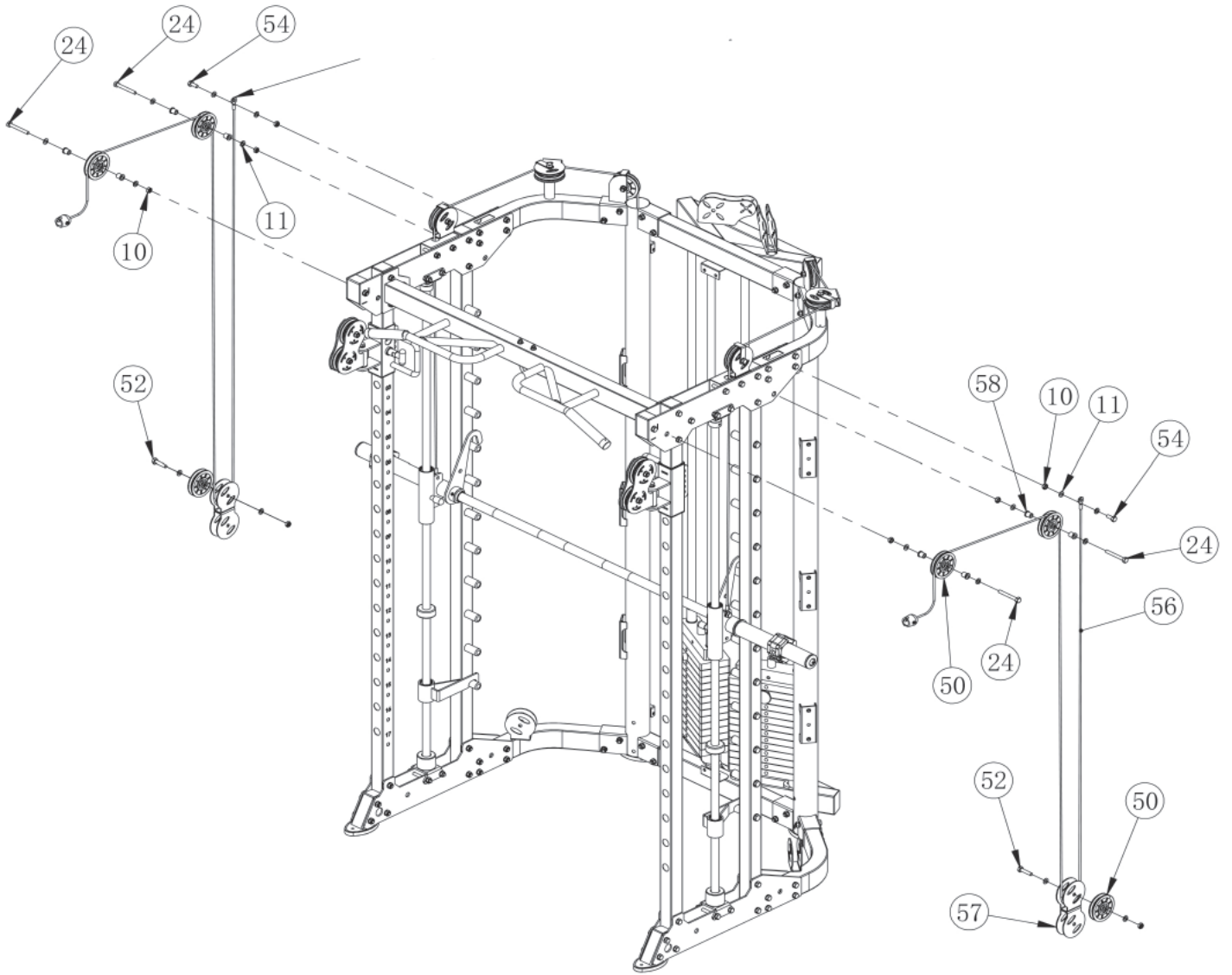
NOTICE

The pulley is hanging in the air at that moment.

4. Mount the second pulley (50) together with two pulley spacer sleeves (58) to the bracket with a hexagon bolt (24), two washers (11) and a lock nut (10).
5. Mount the third pulley (50) together with two pulley spacer sleeves (58) to the bracket with a hexagon bolt (24), two washers (11) and a lock nut (10).
6. Repeat step 1 to step 5 on the other side of the multi gym.
7. Tighten the bolts and nuts.

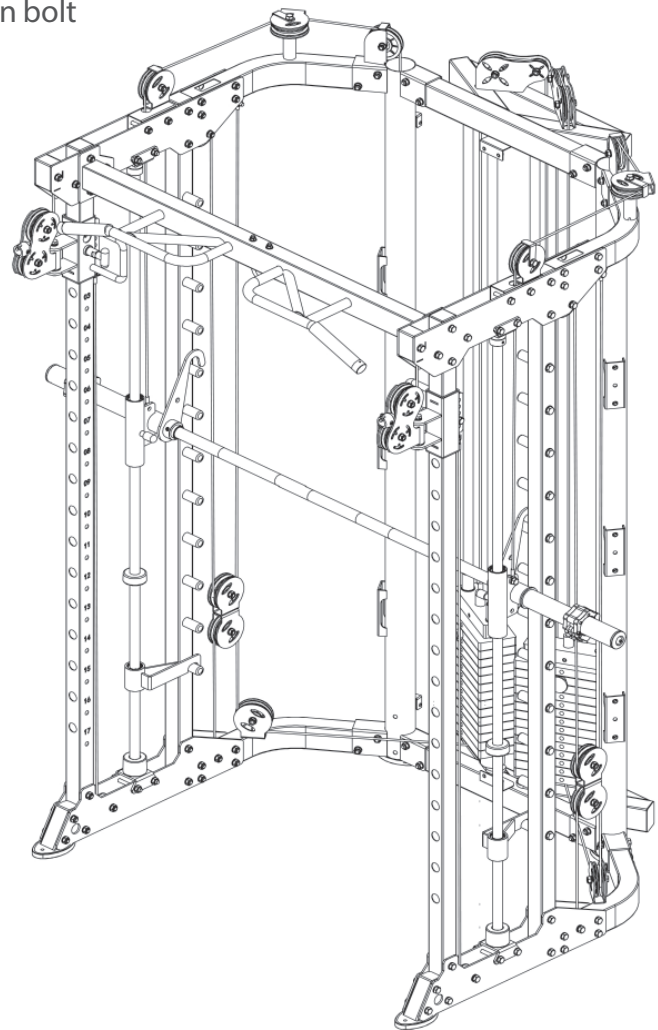
Internal wire schematic

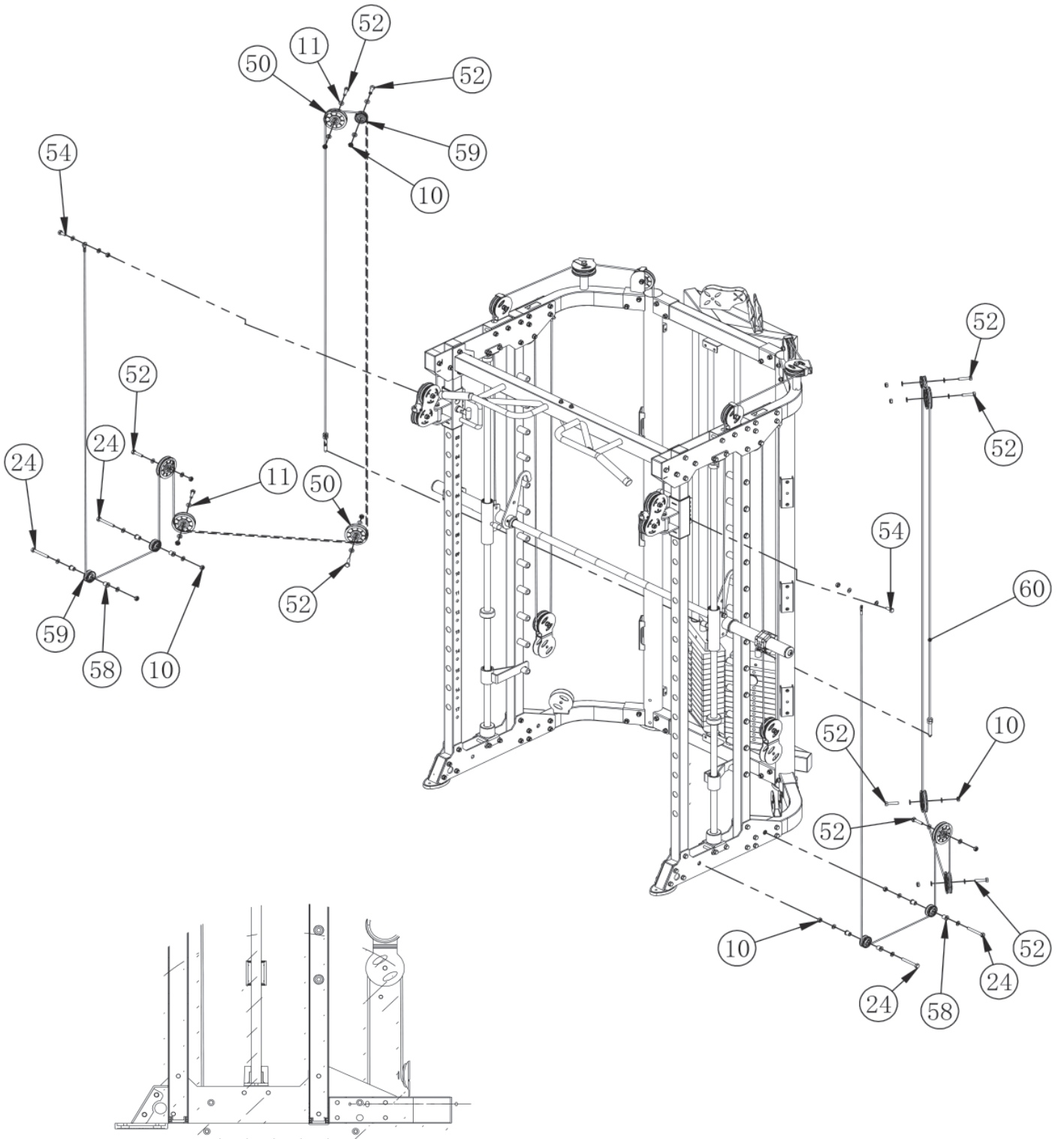




Step 7:

1. Screw the threaded end of the cable (60) into the socket on the weight block and guide the cable (6) upwards through the upper connection tube.
2. Mount a pulley (50) and a small pulley (59) to the bracket on the upper connection tube using a hexagon bolt (52), two washers (11) and a lock nut (10) each.
3. Guide the cable (60) over the mounted pulleys (50 & 59) through the connection tube down along the back of the weight block.
4. Mount a pulley (50) on the back of the connection tube using a hexagon bolt (52), two washers (11) and a lock nut (10).
5. Guide the cable (60) along underneath the mounted pulley (50) and the weight block to the front.
6. Mount one pulley (50) each on the bending tube and the hanging pulley frame using a hexagon bolt (52), two washers (11) and a lock nut (10) each.
7. Guide the cable (60) underneath the pulley (50) on the bending tube upwards over the pulley (50) through the hanging pulley frame.
8. Mount two small pulleys (59) together with two spacer sleeves (58) between the lower plates using a hexagon bolt (24), two washers (11) and a lock nut (10).
9. Guide the cable underneath the small pulley (59) through the plates upwards and fix the eye end of the cable (6) to the back of the sliding tubes using a hexagon bolt (54), two washers (11) and a lock nut (10).
10. Repeat step 1 to step 9 on the other side of the multi gym.
11. Tighten the bolts and nuts.

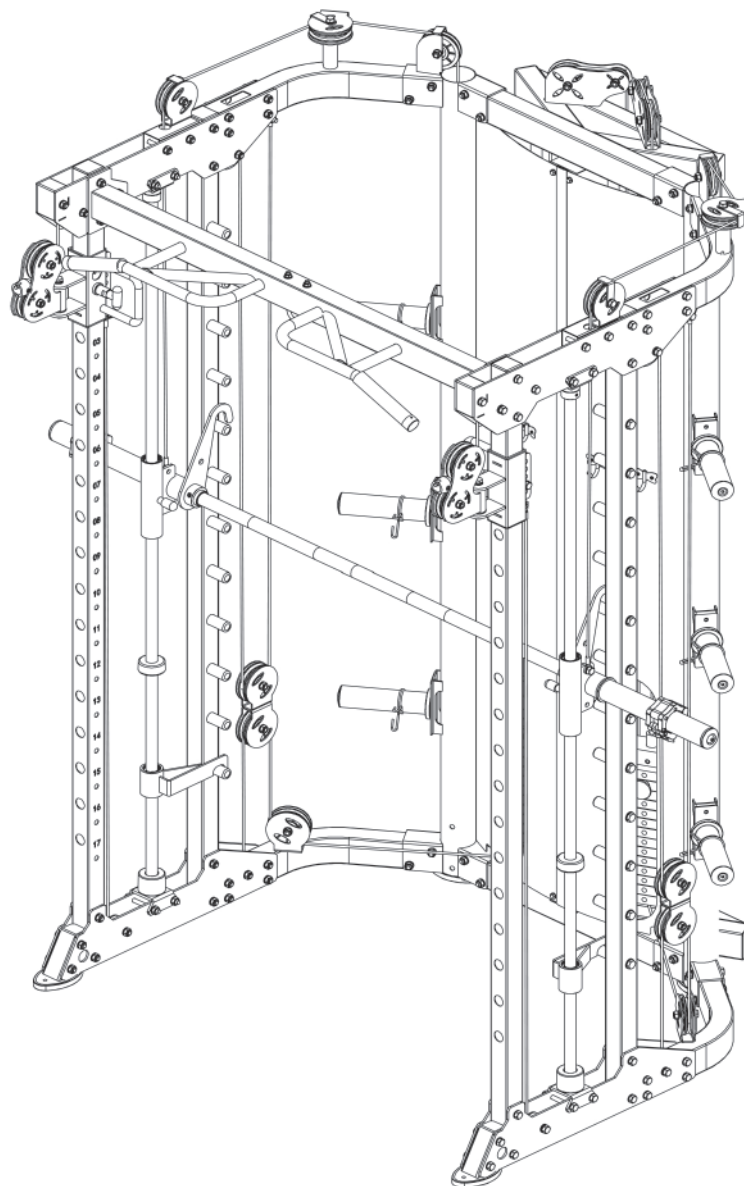


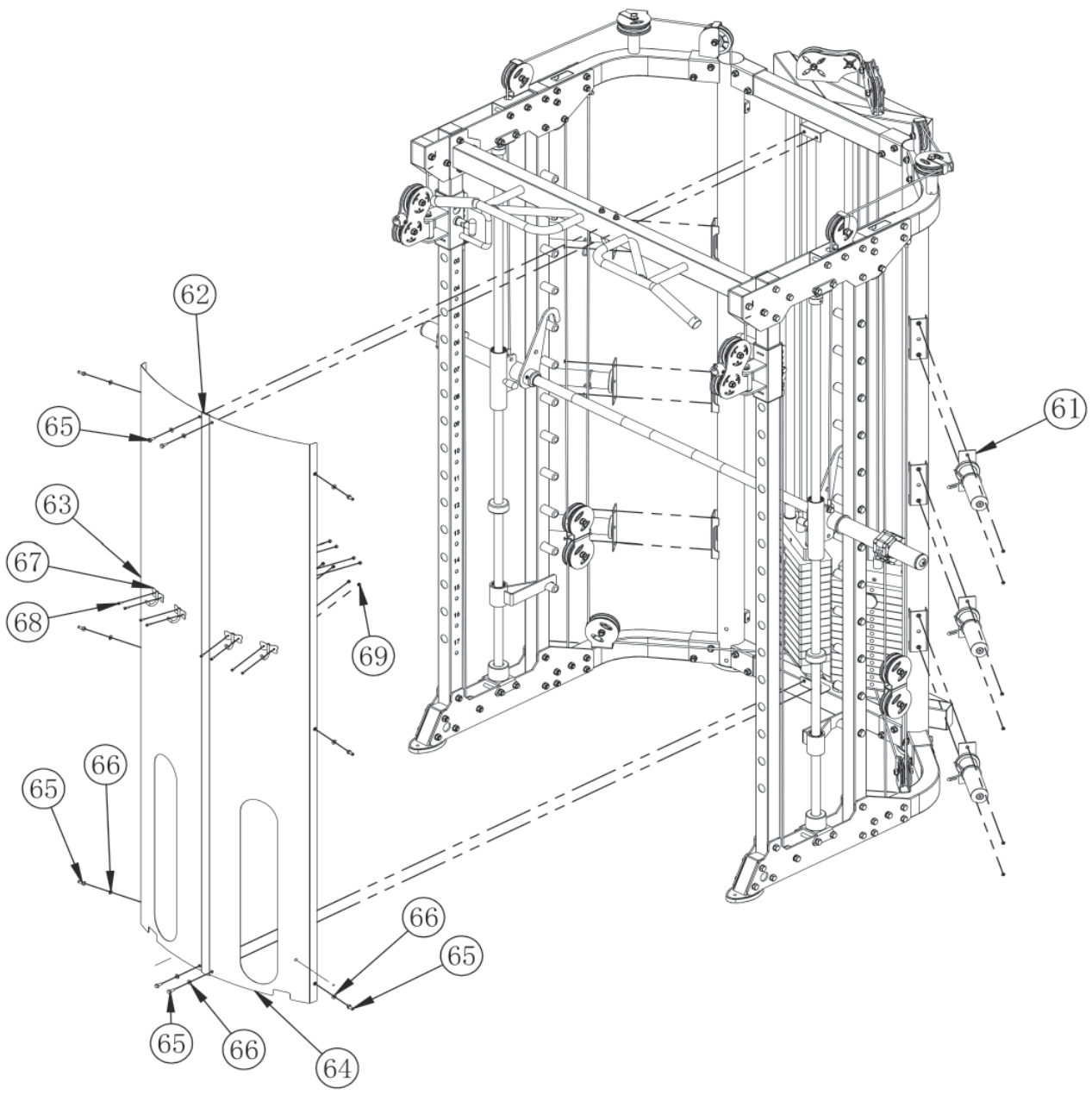


Internal wire schematic

Step 8:

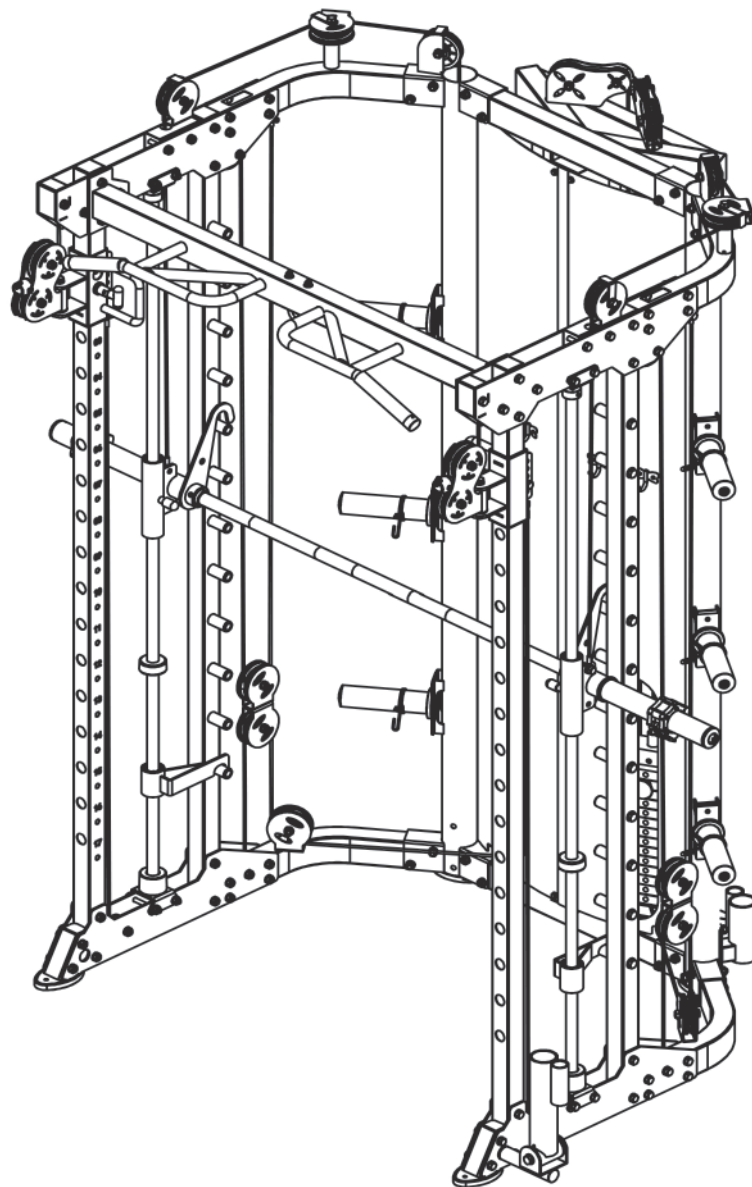
1. Mount the left and right shield (63 & 64) together with the connection strap (62) to the connection tubes (1 & 6) using a total of four hexagon bolts (65) and four washers (66).
2. Mount the left and right shield (63 & 64) to the left and right upright frame (2 & 3) using a total of six hexagon bolts (65) and six washers (66).
3. Mount two hooks (67) each to the left and right shield (63 & 64) using a total of eight bolts (68) and eight lock nuts (69).
4. Mount three plate holders (61) each to the left and the right upright frame (2 & 3) using a total of twelve hexagon bolts (70) and twelve washers (71).
5. Tighten the bolts and nuts.

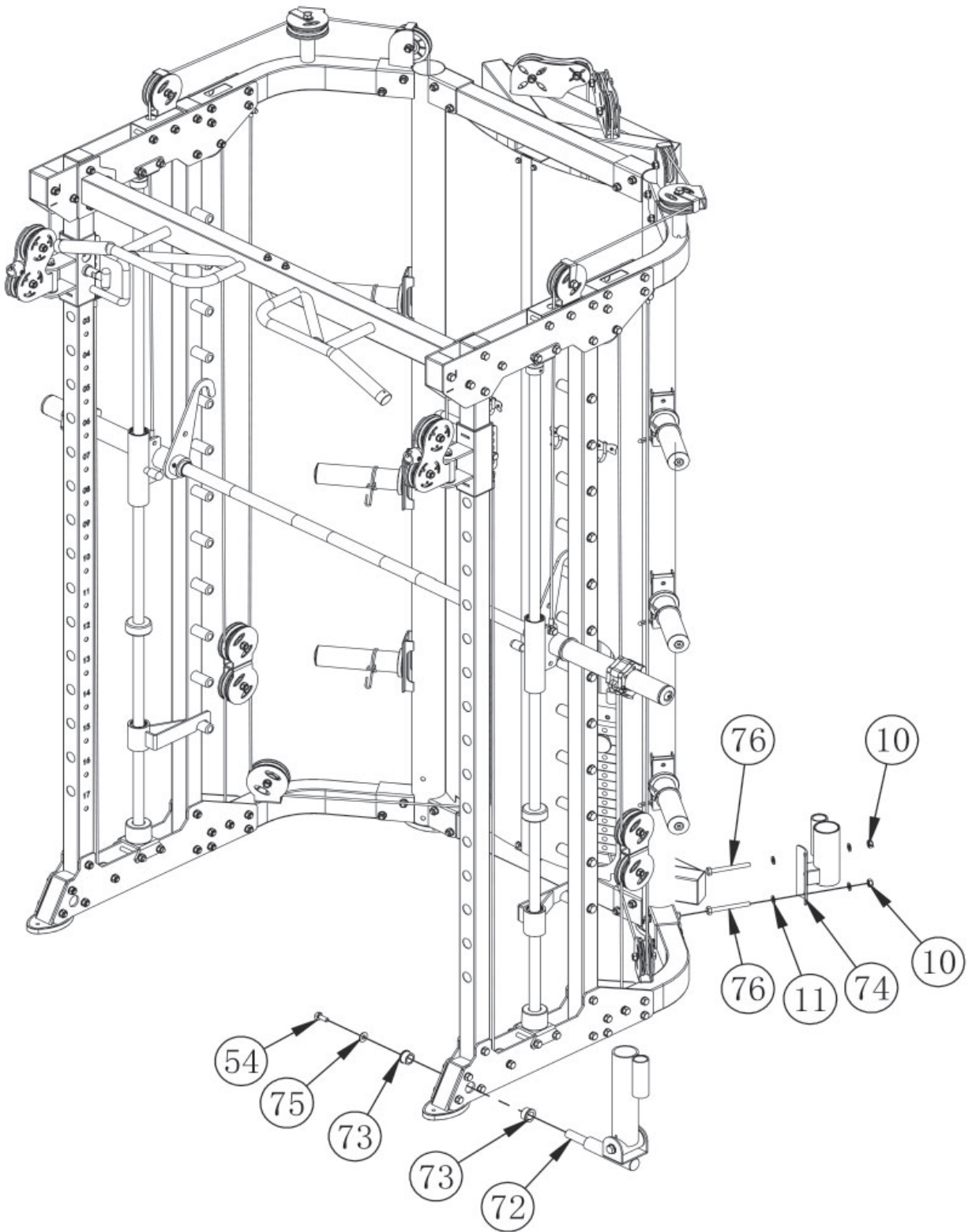




Step 9:

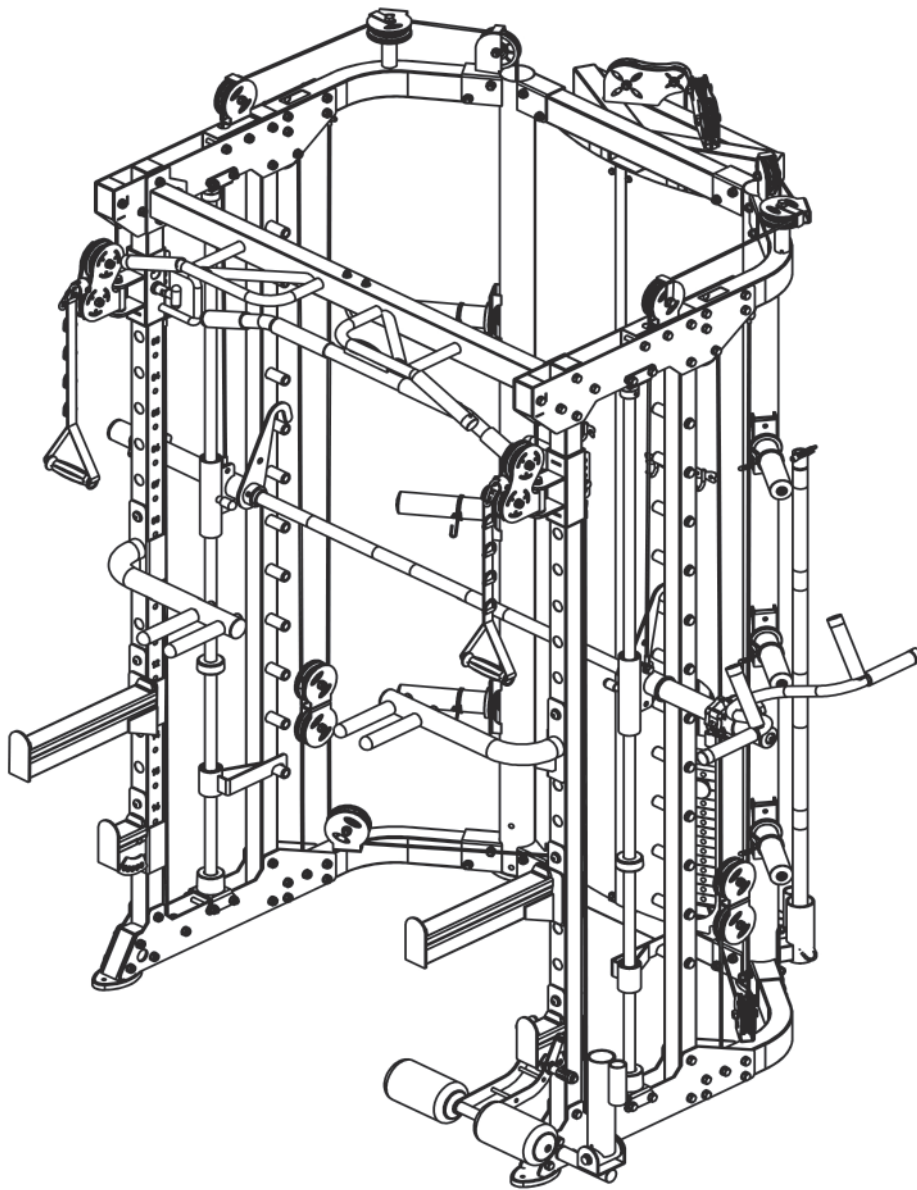
1. Mount the core trainer (72) together with two sleeves (73) to the lower plate (19) using a hexagon bolt (54) and a big washer (75).
2. Mount the barbell rod cup (74) to the right upright frame (3) using two hexagon bolts (76), four washers (11) and two lock nuts (10).
3. Tighten the bolts and nuts.

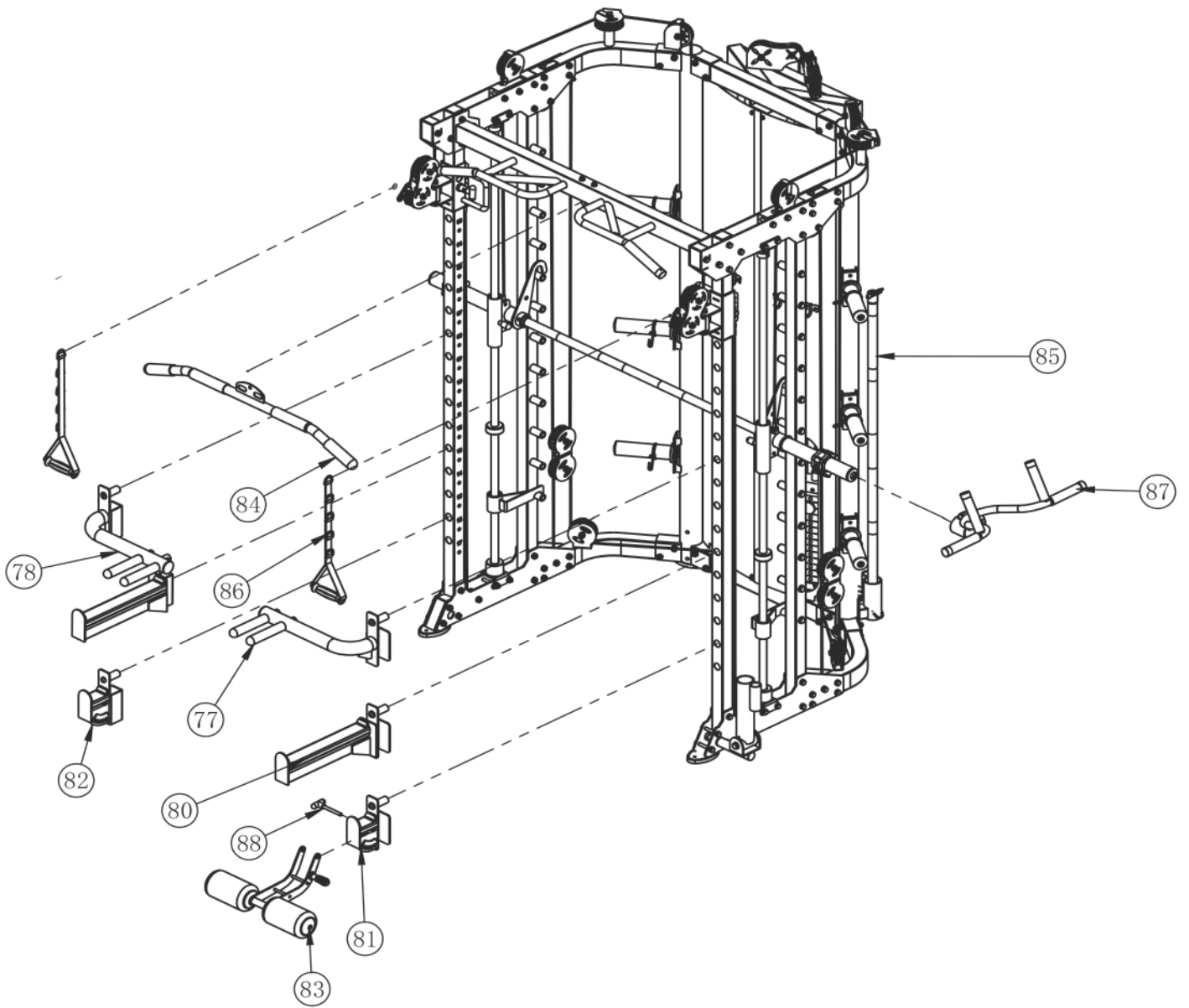




Step 10:

1. Attach the leg curl tube (83) to the short barbell rod holder (81) with the pin (88).
2. Attach the accessories to the multi gym. This included the following parts:
 - + dip bar left and right (77 & 78)
 - + barbell rod holder left and right (79 & 80)
 - + short barbell rod holder left and right (81 & 82)
 - + leg curl (83)
 - + long bar (84)
 - + ship rod (85)
 - + hand belt (86)
 - + pull lift device (87)
3. Finally, check the tightness of all nuts and bolts.





2.4 Optional Accessories

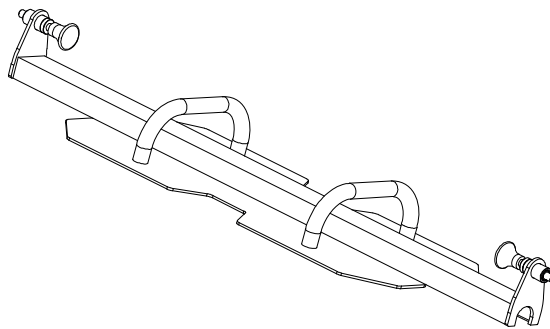
2.4.1 Scope of Delivery - Leg Press

The scope of delivery consist of the following parts. At the beginning, check whether all parts and tools belonging to the device are included in the scope of delivery and whether damage has occurred. In the event of complaints, the contractual partner must be contacted directly.



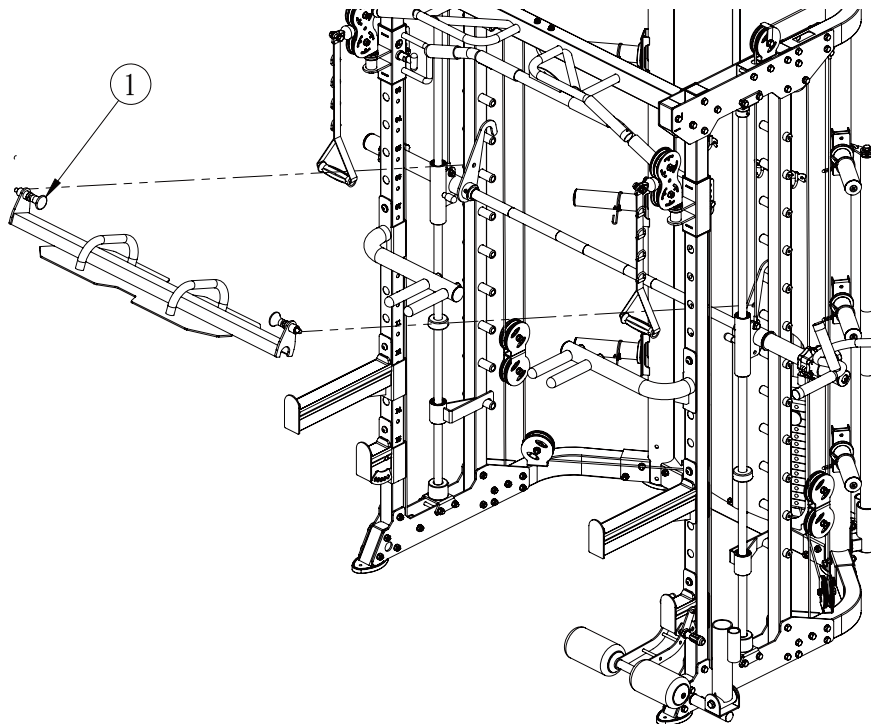
CAUTION

If parts of the scope of delivery are missing or damaged, the assembly must not be carried out.



2.4.2 Assembly - Leg Press

Attach the leg press (1) with the pins to the hooks of the barbell rod (41), see illustration.

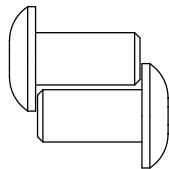
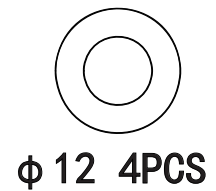
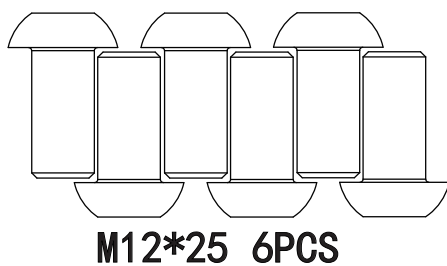


2.4.3 Scope of Delivery - Jammer Arm

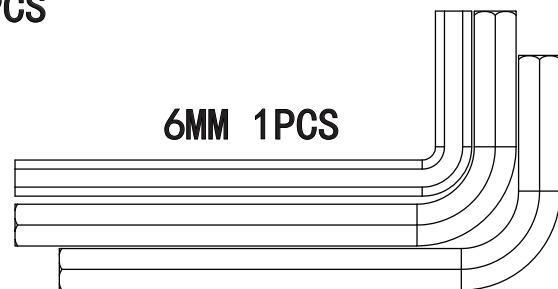
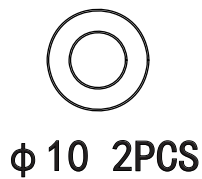
The scope of delivery consist of the following parts. At the beginning, check whether all parts and tools belonging to the device are included in the scope of delivery and whether damage has occurred. In the event of complaints, the contractual partner must be contacted directly.

 **CAUTION**

If parts of the scope of delivery are missing or damaged, the assembly must not be carried out.

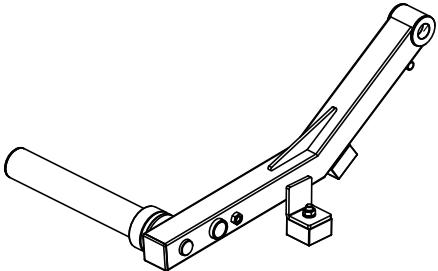
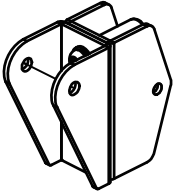
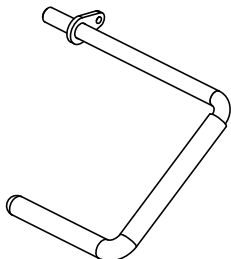
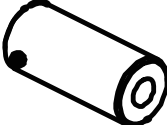
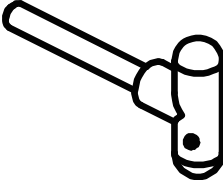



M10*20 2PCS



6MM 1PCS

8MM 2PCS

NO.	PART NAME	QTY.	
1	push arm	1	
2	push arm fix frame		
3	handle		
4	push arm connection shaft		
11	T shape pin-black		
12	butterfly clip		

2.4.4 Assembly - Jammer Arm

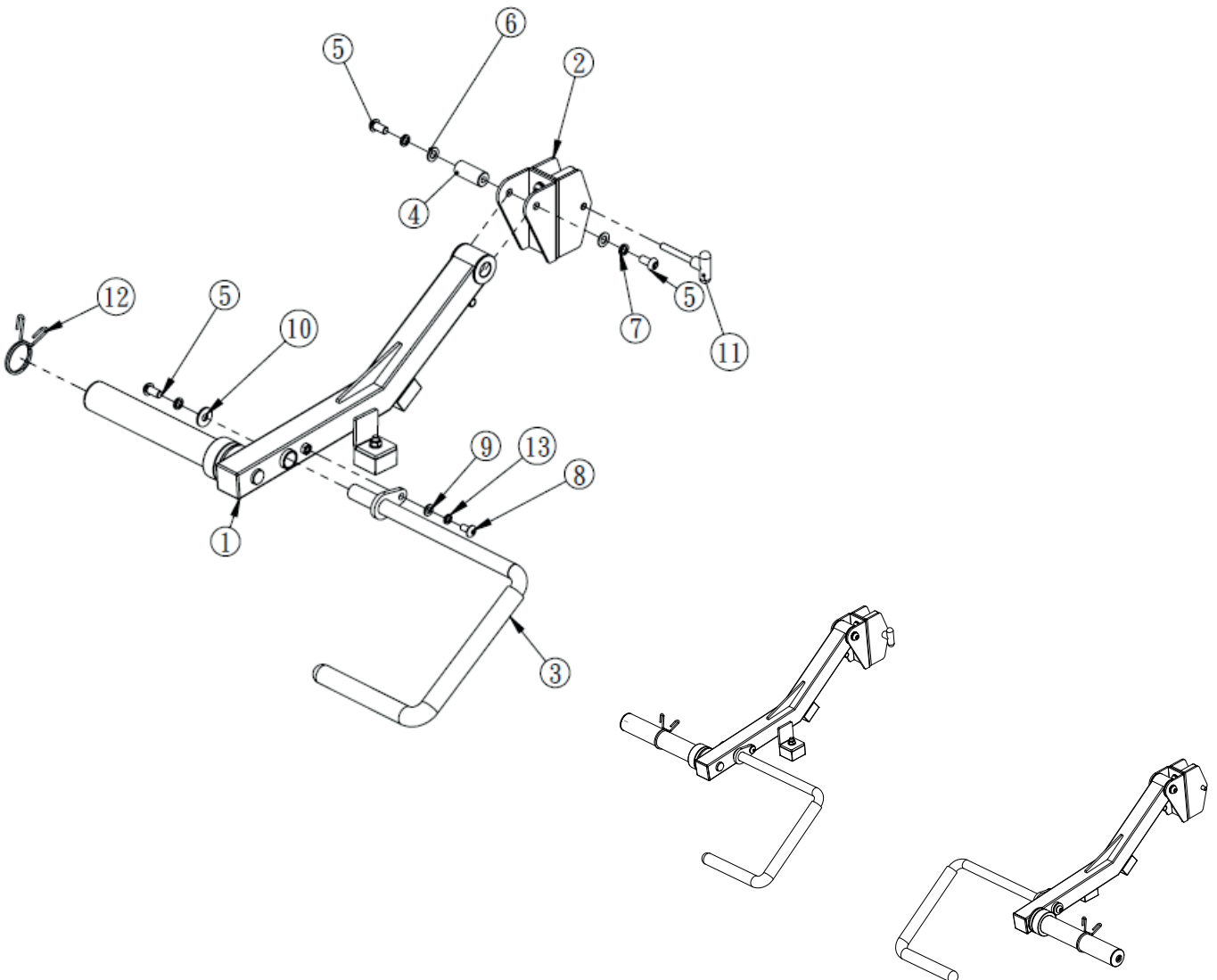
Before assembly, take a close look at the individual assembly steps shown and carry out the assembly in the order given.

NOTICE

First loosely screw all parts together and check that they fit properly. Tighten the screws using the tool only when you are instructed to do so.

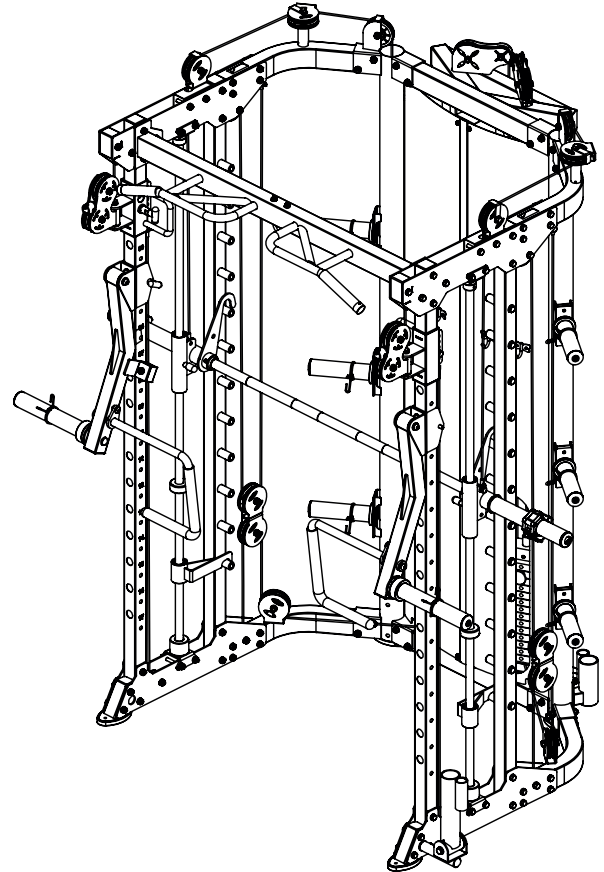
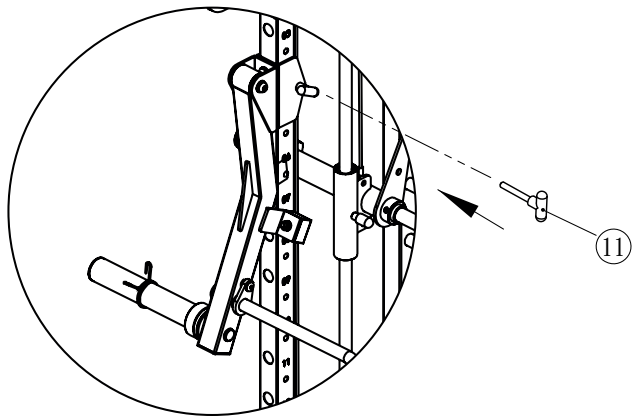
Step 1:

1. Mount the handle (3) to the push arm (1) using a screw (5), a spring gasket (7), a washer (10) and a screw (8), a spring gasket (13) and a washer (9).
2. Mount the push arm fix frame (2) together with a connection shaft (4) to the push arm (1) using two screws (5), two spring gaskets (7) and two washers (6).
3. Tighten the screws.
4. Repeat the steps for the other arm.



Step 2:

Attach the jammer arm with the pin (11) to the tubes of the multi gym, see illustration.



3.1 General Instructions



WARNING

- + The storage location should be chosen so that improper use by third parties or children can be prevented.
- + If your equipment does not have transportation wheels, the equipment must be disassembled before transportation.



ATTENTION

- + Make sure that the equipment is protected from moisture, dust and dirt in the selected storage location. The storage location should be dry and well ventilated and have a constant ambient temperature between 10°C and 35°C.

4.1 General Instructions



WARNING

- + Do not make any improper changes to the equipment.



CAUTION

- + Damaged or worn components may affect your safety and the life of the equipment. Therefore, immediately replace damaged or worn components. In such a case, contact the contract partner. The equipment must not be used until it has been repaired. If necessary, use only original spare parts.



ATTENTION

- + In addition to the instructions and recommendations for maintenance and care given here, additional service and/or repair work may be necessary; this must only be carried out by authorised service technicians.

4.2 Faults and Fault Diagnosis

The equipment undergoes regular quality controls during production. Nevertheless, faults or malfunctions may occur. Frequently, individual parts are responsible for these disturbances, an exchange is usually sufficient. Please refer to the following overview for the most common errors and how to correct them. If the equipment still does not function properly, contact your contract partner.

Fault	Cause	Solution
Grinding noises	Cables or pulleys do not run smoothly or are damaged	+ Visual inspection of the cable routing or the pulley guide + If damaged, replace the defective part
Weight hanging in the air	Cable tensioned too tight	Readjust cable tension
Cable without tension	Cable too loose	Readjust cable tension
Squeaking & cracking noises	Screw connections loosened or too tight	Check screw connections

4.3 Maintenance and Inspection Calendar

To avoid damage from body sweat, the equipment must be cleaned with a damp towel (no solvents!) after each training session.

The following routine tasks must be performed at the specified intervals:

Part	Weekly	Monthly	Quarterly
Cables	C	I	
Screw connections		I	
Pulleys and cable routing		I	
Slide rails/Guide rods		I	
Weights			I
Cushions	C	I	
Legend: C = clean; I = inspect			

5 DISPOSAL

At the end of its operational life, this equipment cannot be disposed of in normal household waste. Instead, it must be disposed of via a recycling centre. Further information can be obtained from your local authority's recycling service.



The materials can be recycled as per their symbols. Through the reuse, recycling of materials or other forms of recovery of old equipment, you make an important contribution to the protection of the environment.

6 RECOMMENDED ACCESSORIES

To make your training experience even more efficient and pleasant, we recommend that you add suiting accessories to your fitness equipment. For training equipment like smith machines, weight benches or racks this could for example be a **floor mat**, which makes your fitness equipment stand more securely and also protects the floor from sweat but it could be also **additional weights, handles, foot straps** for leg exercises or **triceps ropes**. For some smith machines, there are also optional add-ons such as **leg presses** that make your workout even more intense and comprehensive.

Our range of accessories offers the highest quality and makes training even better. If you would like to find out more about compatible accessories, please go to the detail page of the product in our webshop (the easiest way is to enter the article number in the search field above) and go to the recommended accessories on this page. Alternatively, you can use the QR code provided. Of course, you can also contact our customer service: by telephone, e-mail, in one of our branches or via our social media channels. We will be happy to advise you!



floor mat



chest strap



triceps rope



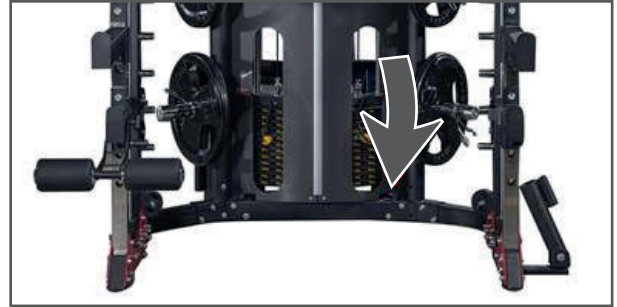
weight block extension

7.1 Serial Number and Model Name

In order to provide you with the best possible service, please have the model name, article number, serial number, exploded drawing and parts list ready. The corresponding contact options can be found in chapter 9 of this operating manual.

NOTICE

The serial number of your equipment is unique. It's located on a white sticker. The exact position of this sticker is shown in the following illustration.



Enter the serial number in the appropriate field.

Serial number:

Brand / Category:

Model Name:

Article Number:

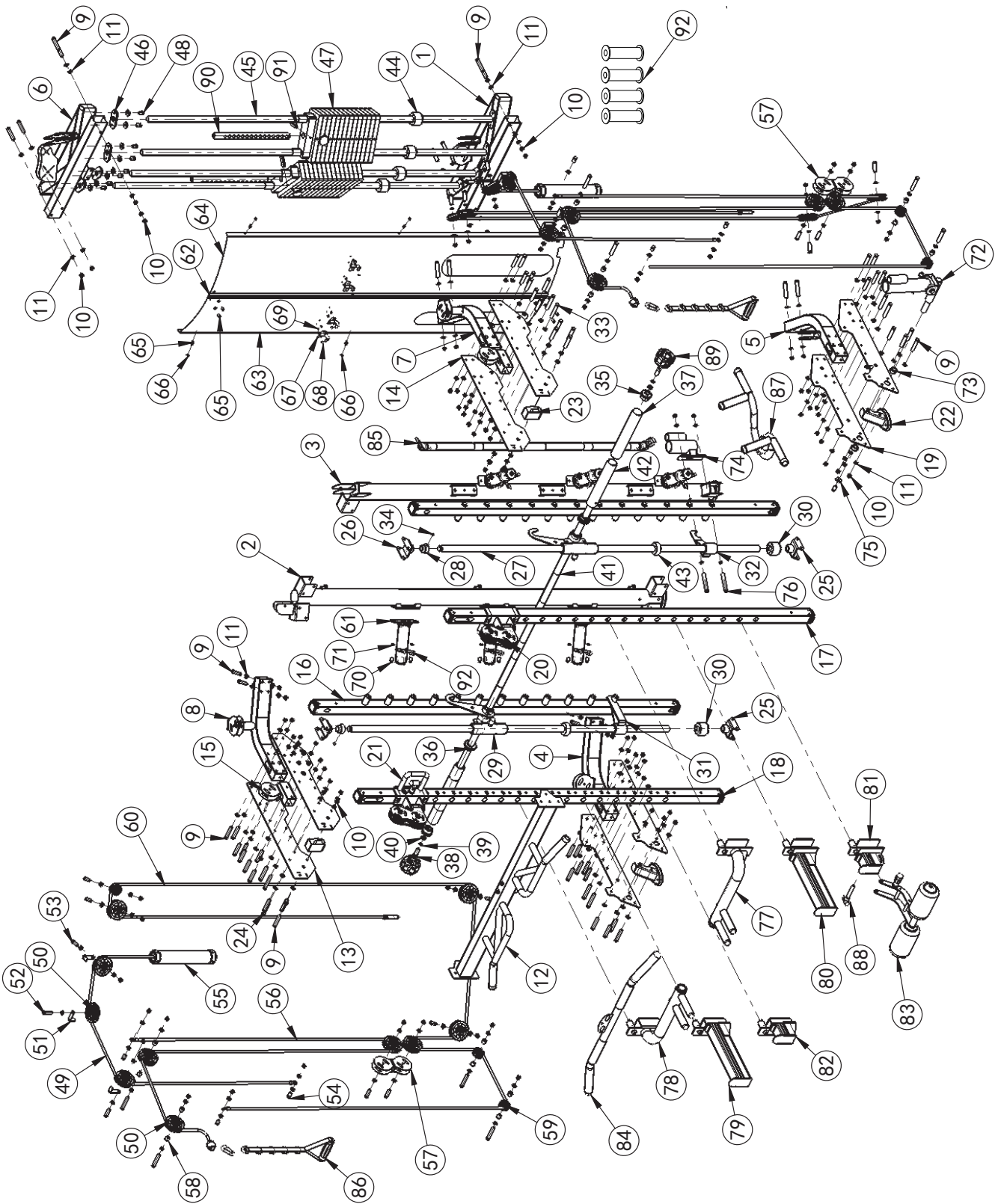
7.2 Parts List - Multi Gym

No.	Name	Specification	Qty.
1	connection tube		1
2	upright frame left		1
3	upright frame right		1
4	bending tube left		1
5	bending tube right		1
6	upper connection tube		1
7	upper bending tube right		1
8	upper bending tube left		1
9	hexagon bolt	M10*75	54
10	lock nut	M10	100
11	washer	Φ10	210
12	chin up bar		1
13	upper plate		4
14	pulley frame tube right		1
15	pulley frame tube left		1
16	upright tube		2
17	tube with hole right		1
18	tube with hole left		1
19	lower plate		4
20	sliding tube right		1
21	sliding tube left		1
22	foot tube cover		2
23	end tube		2
24	hexagon bolt	M10*80	14
25	lower base		2
26	upper base		2
27	guide rod	Φ25*1850	2
28	lock sleeve		2
29	sliding sleeve		2
30	rubber pad with groove	Φ60*Φ26*45	2
31	safety hook right		1
32	safety hook left		1

33	hexagon bolt	M10*90	8
34	socket set screw	M8*10	2
35	end cap	Φ51*Φ 42.5*36.6L	2
36	check ring	Φ60*Φ48.5*27L	2
37	pipe	Φ50*310*T0.5	2
38	button head socket screw	M12*40	2
39	spring washer	M12	2
40	washer	Φ12	2
41	barbell rod		1
42	inner pipe	Φ48*298*2.5T	2
43	rubber pad	Φ60*Φ26*25	2
44	rubber pad	Φ60*Φ26*42	4
45	guide rod hollow	Φ25*1955	4
46	reinforcing plate		4
47	90KG weight stack	2 group	2
48	hexagon bolt	M10*20	8
49	wire	Φ5*2745mm	2
50	pulley	Φ95	20
51	pulley plate		6
52	hexagon bolt	M10*45	14
53	hexagon bolt	M10*50	4
54	hexagon bolt	M10*25	7
55	weight		2
56	wire	Φ5*4185mm	2
57	"-" shaped pulley frame		2
58	pulley spacer sleeve	Φ20*10.5*L20.5	16
59	pulley	Φ50	6
60	wire	Φ5*7195mm	2
61	barbell plate holder		6
62	connection strap		1
63	shield left		1
64	shield right		1
65	hexagon bolt	M6*16	10
66	washer	Φ6	10

67	hook		4
68	"+"slotted countersunk head bolt	M4*12	8
69	lock nut	M4	8
70	hexagon bolt	M8*20	12
71	washer	Φ8	12
72	core trainer		1
73	powder metallurgy sleeve	Φ33.2*Φ 29*Φ20*18	2
74	barbell rod cup		1
75	big washer	Φ25*Φ10*2.0	1
76	hexagon bolt	M10*95	2
77	dip bar left		1
78	dip bar right		1
79	barbell rod holder right		1
80	barbell rod holder left		1
81	barbell rod holder short left		1
82	barbell rod holder short right		1
83	leg curl tube		1
84	long bar		1
85	ship rod		1
86	hand belt		2
87	pull lift device		1
88	T shape pin	Φ10*100	1
89	barbell clamp collar		2
90	selector rod		2
91	weight pin		2
92	weight stack support tube		4

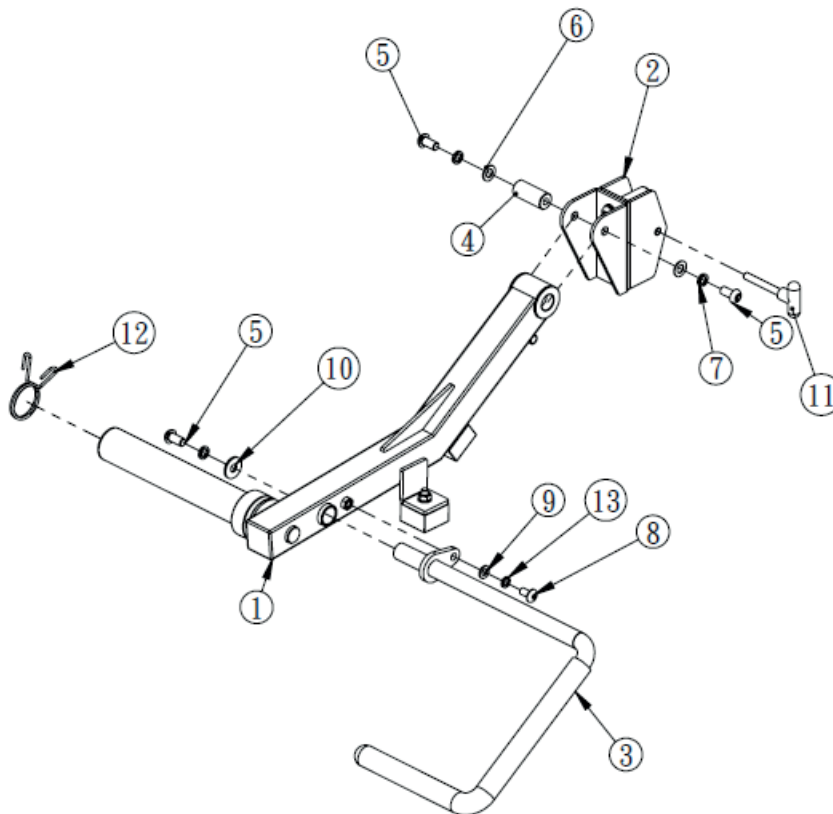
7.3 Exploded Drawing - Multi Gym



7.4 Parts List - Jammer Arm

No.	Name	Specification	Qty.
1	push arm		2
2	push arm fix frame		2
3	handle		2
4	push arm connection shaft	Φ25*56	2
5	hexagon socket bolt button head screws	M12*25	6
6	washer	Φ12	4
7	spring gasket	Φ12	6
8	hexagon socket button head screws	M10*20	2
9	washer	Φ10	2
10	washer		2
11	T shape pin -black	Φ10*75	2
12	butterfly clip		2
13	spring gasket	Φ10	2

7.5 Exploded Drawing - Jammer Arm



Training equipment from Taurus® is subject to strict quality control. However, if a fitness equipment purchased from us does not work perfectly, we take it very seriously and ask you to contact our customer service as indicated. We are happy to help you by phone via our service hotline.

Error Descriptions

Your fitness equipment is developed for long-term, high-quality training. However, should a problem arise, please first read the operating instructions. For further assistance, please contact your contract partner or call our service hotline. To ensure your problem is solved as quickly as possible, please describe the defect as exactly as possible.

In addition to the statutory warranty, we provide a warranty for every fitness equipment purchased from us according to the following provisions.

Your statutory rights are not affected.

Warranty

The warranty is the first/original buyer and/or any person who received a newly purchased product as a gift from the original buyer.

Warranty period

The warranty periods, shown on our web shop, begin on delivery of the fitness equipment. The respective warranty periods for your equipment can be found on its product website.

Repair Costs

According to our choice, there will either be a repair, a replacement of individual damaged parts or a complete replacement. Spare parts, that have to be mounted while assembling the equipment, have to be replaced by the warranty personally and are not a part of repair. After the expiration of the warranty period for repair costs, a pure parts warranty applies, which does not include the repair, installation and delivery costs.

The terms of use are defined as follows:

- + Home use: solely for private use in private households up to 3 hours per day
- + Semi-professional use: up to 6 hours per day (e. g. rehabilitation centres, hotels, clubs, company gyms)
- + Professional use: more than 6 hours per day (e. g. commercial gyms)

Warranty Service

Within the warranty period, equipment which develops faults as a result of material or manufacturing defects, will be repaired or replaced at our discretion. Ownership of equipment or parts of equipment which have been replaced is transferred to us. The warranty period is not extended nor does a new warranty period begin following repair or replacement under the warranty.

Warranty Conditions

For the warranty to be valid, the following steps must be taken:

Please contact our customer service by email or phone. If the product under warranty has to be sent in for repair, the seller bears costs. After expiry of the warranty, the buyer bears the costs of transport and insurance. If the fault is covered by our warranty, you will receive a new or repaired equipment in return.

Warranty claims are invalid in case of damage resulting from:

- + misuse or improper handling
- + environmental influences (moisture, heat, electrical surge, dust, etc.)
- + failure to follow the current safety measures for the equipment
- + failure to follow the operating instructions
- + use of force (e. g. hitting, kicking, falling)
- + interventions which were not carried out by one of our authorized service centres
- + unauthorised repair attempts

Proof of Purchase and Serial Number

Please make sure that you are able to provide the appropriate receipt when claiming on your warranty. So that we can clearly identify the model of your equipment, and for the purposes of our quality control, you will need to give the serial number of your equipment, when contacting the service team. Where possible please have your serial number and your customer number ready when you call our service hotline. It will help us to deal with your request swiftly.







































If you cannot find the serial number on your fitness equipment, our service team is at your disposal to offer further information.

Service outside of the Warranty Period

We are also happy to issue an individual cost estimate if there is a problem with your fitness equipment after the warranty has expired, or in cases which do not fall under the terms of the warranty, e. g. normal wear and tear. Please contact our customer service team to find a quick and cost-effective solution to your problem. In such a case you will be responsible for the delivery costs.

Communication

Many problems can be solved just by speaking to us as your specialist supplier. We know how important it is to you as a user of the fitness equipment to have problems solved quickly and simply, so you can enjoy working out with minimal interruption. For that reason, we also want to resolve your queries quickly and in a straightforward manner. Thus, please always keep your customer number and the serial number of the faulty equipment handy.

DE	DK	FR
<p>TECHNIK</p> <p> +49 4621 4210-900</p> <p> +49 4621 4210-698</p> <p> technik@sport-tiedje.de</p> <p> Öffnungszeiten entnehmen Sie unserer Homepage.</p> <p>SERVICE</p> <p> 0800 20 20277 (kostenlos)</p> <p> 04621 4210 - 0</p> <p> info@sport-tiedje.de</p> <p> Öffnungszeiten entnehmen Sie unserer Homepage.</p>	<p>TEKNIK OG SERVICE</p> <p> 80 90 16 50</p> <p>+49 4621 4210-945</p> <p> info@fitshop.dk</p> <p> Åbningstider kan findes på hjemmesiden.</p> <p>PL</p> <p>DZIAŁ TECHNICZNY I SERWIS</p> <p> 22 307 43 21</p> <p>+49 4621 42 10-948</p> <p> info@fitshop.pl</p> <p> Godziny otwarcia można znaleźć na stronie głównej.</p>	<p>TECHNIQUE & SERVICE</p> <p> +33 (0) 189 530984</p> <p>+49 4621 42 10 933</p> <p> info@fitshop.fr</p> <p> Vous trouverez les heures d'ouverture sur notre site Internet.</p> <p>BE</p> <p>TECHNIQUE & SERVICE</p> <p> 02 732 46 77</p> <p>+49 4621 4210 933</p> <p> info@fitshop.be</p> <p> Vous trouverez les heures d'ouverture sur notre site Internet.</p>
UK	NL	INT
<p>CUSTOMER CARE POWERHOUSE</p> <p> +44 141 737 2249 or +44 141 876 3972</p> <p> customercare@powerhouse-fitness.co.uk</p> <p> You can find the opening hours on our homepage.</p>	<p>TECHNISCHE DIENST & SERVICE</p> <p> +31 172 619961</p> <p> service@fitshop.nl</p> <p> De openingstijden vindt u op onze homepage.</p>	<p>TECHNICAL SUPPORT & SERVICE</p> <p> +49 4621 4210-944</p> <p> service-int@sport-tiedje.de</p> <p> You can find the opening hours on our homepage.</p>
ES	AT	CH
<p>TECNOLOGÍA Y SERVICIOS</p> <p> 911 238 029</p> <p> info@fitshop.es</p> <p> Consulta nuestro horario de apertura en la página web.</p>	<p>TECHNIK & SERVICE</p> <p> 0800 20 20277 (Freecall)</p> <p>+49 4621 42 10-0</p> <p> info@sport-tiedje.at</p> <p> Öffnungszeiten entnehmen Sie unserer Homepage.</p>	<p>TECHNIK & SERVICE</p> <p> 0800 202 027</p> <p>+49 4621 42 10-0</p> <p> info@fitshop.ch</p> <p> Öffnungszeiten entnehmen Sie unserer Homepage.</p>

Please find a detailed overview including address and opening hours for all stores of the Sport-Tiedje Group in Germany and abroad on the following website:

www.sport-tiedje.com/en/stores

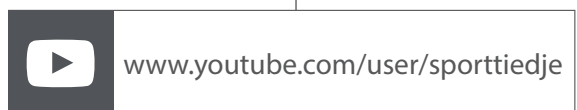
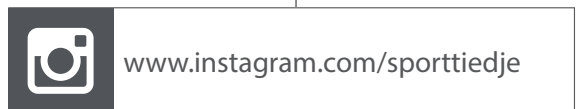
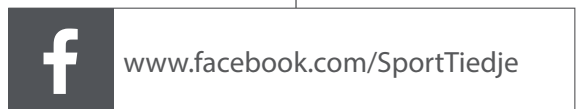
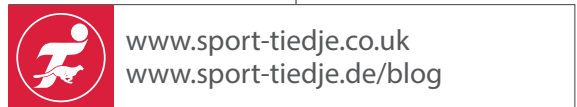
WE LIVE FITNESS

WEBSHOP AND SOCIAL MEDIA

Sport-Tiedje is Europe's largest specialist store for home fitness equipment with currently over 70 stores and one of the world's most renowned online mail order companies for fitness equipment. Private customers order via the 25 web shops in the respective national language or have their desired equipment assembled on site. In addition, the company supplies fitness studios, hotels, sports clubs, companies and physio practices with professional equipment for endurance and strength training.

Sport-Tiedje offers a wide range of fitness equipment from renowned manufacturers, high-quality in-house developments and comprehensive services, such as a build-up service and sports scientific advice before and after the purchase. The company employs numerous sports scientists, fitness trainers and competitive athletes.

Visit us also on our social media platforms or our blog!



Notes

TAURUS®

Taurus Multi Smith Machine Pro