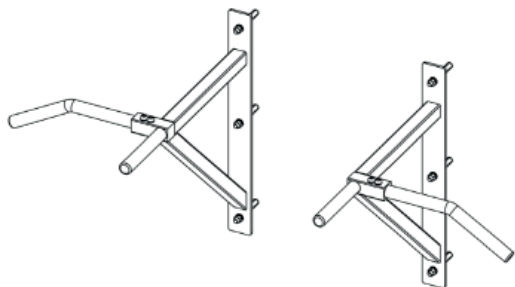


TAURUS®

Operating Instructions



Art. No. TF-PU1207L

FSTFPU1207L.01.01

GENERAL SAFETY INSTRUCTIONS

Personal Safety

⚠ DANGER

- + Before you start using the equipment, you should consult your physician that this type of exercise is suitable for you from a health perspective.
- + Note that excessive training can seriously endanger your health. If you notice any signs of weakness, nausea, dizziness, pain, shortness of breath, or other abnormal symptoms, stop exercising immediately and seek advice from your doctor if necessary.

⚠ WARNING

- + This equipment may not be used by children under 14 years.
- + Children should not be allowed unsupervised access to the equipment
- + Persons with disabilities must have a medical license and must be under strict observation when using the equipment.
- + The equipment is strictly for use by one person at a time.

⚠ CAUTION

- + Make sure that nobody is within the range of motion of the equipment during training so as not to endanger you or other persons.

▶ ATTENTION

- + Do not insert any objects of any kind into the openings of the device.

Set-Up Place

⚠ WARNING

- + Do not place the equipment in main corridors or escape routes.
- + To prevent fire, do not place the device near or in areas with high heat (e.g. near a heater).

⚠ CAUTION

- + Choose the set-up place so that there is sufficient space around the product.

▶ ATTENTION

- + The device may only be used in one building, in sufficiently tempered and dry rooms (ambient temperatures between 10°C and 35°C). The equipment should not be used outdoors or in rooms with high humidity (over 70%) like swimming pools.

Technical data

Article weight (gross, incl. packaging):	11 kg
Grip dimensions in front/lateral:	15 cm/28 cm
Stable frame:	3 cm x 3 cm
Packaging dimensions (L x W x H):	54 cm x 43 cm x 11 cm
Set-up dimensions (L x W x H):	50 cm x 36 cm x 50 cm
Maximum load:	100 kg

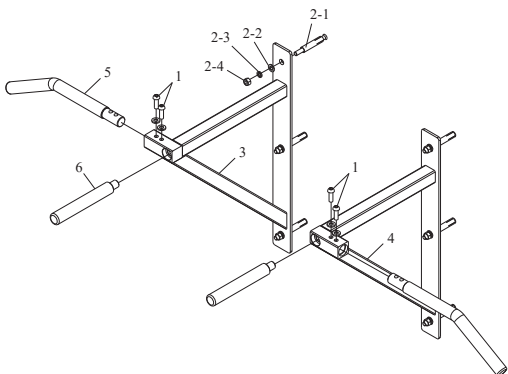
Parts List

No.	Name	Qty.
1	Inside hexagon bolt M8*20 + washer	4
2-1	Expansion bolt	6
2-2	Washer 10	6
2-3	Spring washer 10	6
2-4	Lo nut Mck 10	6
3	Left frame	1
4	Right frame	1
5	Long handle	2
6	Short handle	2

Chin-up station two-part

1 ASSEMBLY

1. Insert the short handle (6) into the left frame (3).
2. Assemble the long handle (5) to the left frame (3) with two bolts and washers (1).
3. Repeat these steps for the right frame (4).



Wall Assembly

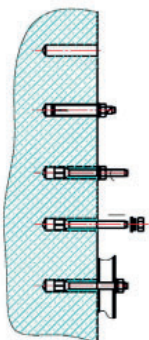
▶ ATTENTION

The supplied assembly material for wall mounting is not suitable for every wall. Pay attention to the condition of your wall to determine which assembly material is suitable for your wall.

The contractual partner accepts no liability for any damage to the wall. Make sure that there are no cables or wires running in the wall where you attach the training equipment.

ⓘ NOTICE

The supplied assembly material is not suitable for every wall, so you may need to get assembly material that is suitable for your wall.



1. Drill a hole with a minimum depth of 80mm.
2. Insert the expansion screw (with cover) into the hole.
3. Tighten the nut, causing the bolt to unscrew and the inside to spread and fix itself into the wall.
4. Unscrew the nut.
5. Slide the wall support on the bolt and fix it with the previously unscrewed nut.

Warranty Information

Training equipment from TAURUS® is subject to strict quality control. However, if a fitness equipment purchased from us does not work perfectly, we take it very seriously and ask you to contact our customer service as indicated. We are happy to help you by phone via our service hotline.

Warranty period

The warranty periods, shown on our web shop, begin on delivery of the fitness equipment. The respective warranty periods for your equipment can be found on its product website.

Please refer to the website of your TAURUS® device for the exact warranty conditions.

Care, Maintenance and Storage

⚠ WARNING

The storage location should be chosen so that improper use by third parties or children is prevented.

1. Clean the device with a dry soft cloth.
2. Store the device in the supplied carton in a dry environment.

Disposal

At the end of its operational life, this equipment cannot be disposed of in normal household waste. Instead, it must be disposed of via a recycling centre. Further information can be obtained from your local authority's recycling service.

Contact

DE TECHNIK

☎ +49 4621 4210-900

✉ technik@fitshop.de

SERVICE

☎ 0800 20 20277 (kostenlos)

✉ info@fitshop.de

UK CUSTOMER SUPPORT

☎ 00800 2020 2772

+49 4621 4210 944

✉ info@fitshop.co.uk

FR TECHNIQUE & SERVICE

☎ +33 (0) 189 530984

+49 4621 42 10 933

✉ info@fitshop.fr

DK TEKNIK OG SERVICE

☎ 80 90 16 50

+49 4621 4210-945

✉ info@fitshop.dk

ES TECNOLOGÍA Y SERVICIOS

☎ 911 238 029

✉ info@fitshop.es

BE TECHNIQUE & SERVICE

☎ 02 732 46 77

+49 4621 4210 933

✉ info@fitshop.be

NL TECHNISCHE DIENST & SERVICE

☎ +31 172 619961

✉ service@fitshop.nl

AT TECHNIK & SERVICE

☎ 0800 20 20277 (kostenlos)

+49 4621 42 10-0

✉ info@fitshop.at

CH TECHNIK & SERVICE

☎ 0800 202 027

+49 4621 42 10-0

✉ info@fitshop.ch

PL DZIAŁ TECHNICZNY I SERWIS

☎ 22 307 43 21

+49 4621 42 10-948

✉ info@fitshop.pl

INT TECHNICAL SUPPORT & SERVICE

☎ +49 4621 4210-944

✉ service-int@fitshop.de