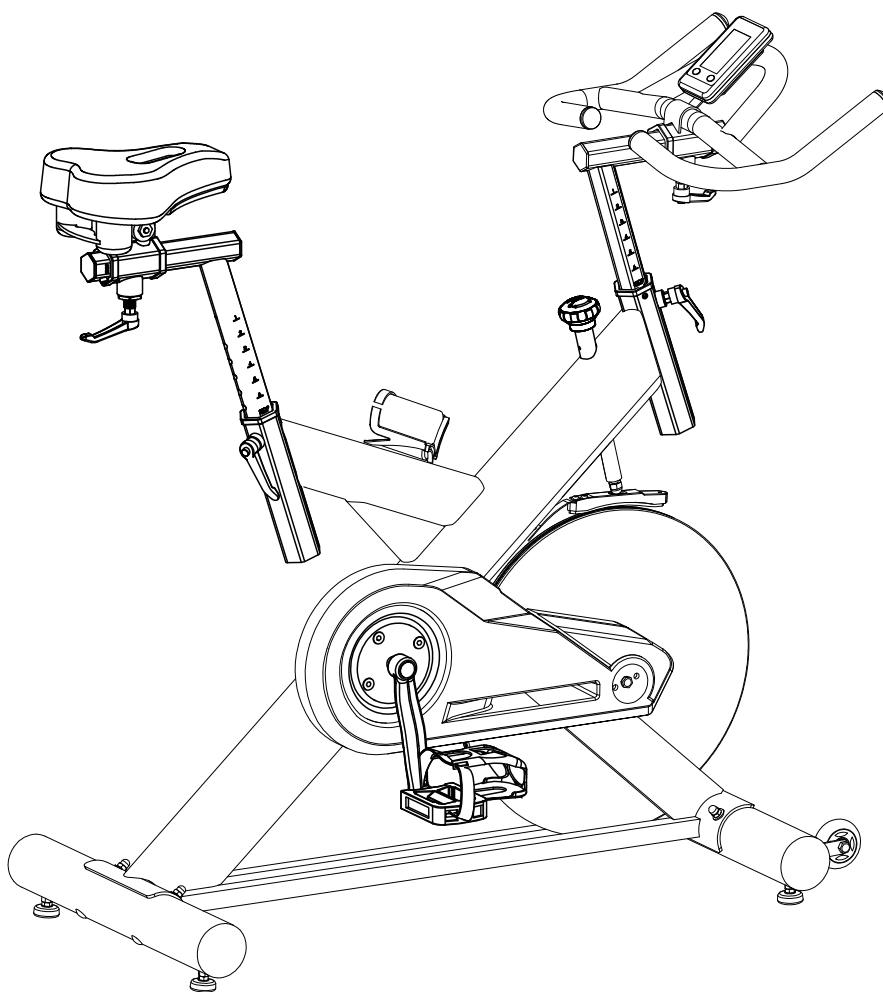


TAURUS®

Assembly and operating instructions



max. 130 kg



~ 60 Min. 



 57 kg

L 124 | W 53 | H 123

TFIC70PRO.02.07

Art. No. TF-IC70PRO-2

Taurus Indoor Cycle IC70 Pro

Content

1	GENERAL INFORMATION	7
1.1	Technical Data	7
1.2	Personal Safety	8
1.3	Set-Up Place	9
2	ASSEMBLY	10
2.1	General Instructions	10
2.2	Scope of Delivery	11
2.3	Assembly	12
2.4	Adjustments	16
2.4.1	Adjusting the Handlebar and Saddle	16
2.4.2	Changing the Battery	16
2.4.3	Adjusting the Tension	17
2.4.4	Using the Emergency Brake Function	17
3	OPERATING INSTRUCTIONS	18
3.1	Console Display	18
3.2	Button Functions	19
3.3	Programmes	19
3.3.1	Quick Start Programme	19
3.3.2	Target Programmes	19
4	STORAGE AND TRANSPORT	20
4.1	General Instructions	20
4.2	Transportation Wheels	20
5	TROUBLESHOOTING, CARE AND MAINTENANCE	21
5.1	General Instructions	21
5.2	Faults and Fault Diagnosis	21
5.3	Maintenance and Inspection Calendar	22
6	DISPOSAL	22
7	RECOMMENDED ACCESSORIES	23

8	ORDERING SPARE PARTS	24
8.1	Serial Number and Model Name	24
8.2	Parts List	25
8.3	Exploded Drawing	28
9	WARRANTY	30
10	CONTACT	32

Dear customer,

Thank you for choosing a high-quality equipment of the brand Taurus®. Taurus® offers sports and fitness equipment for the sophisticated home sport and the equipment of fitness studios and business customers. With Taurus® fitness equipment, the focus is on what sport is all about: maximum performance! Therefore, the equipment is developed in close consultation with athletes and sports scientists. Because athletes know best what makes perfect fitness equipment.

Further information can be found at www.sport-tiedje.com.

Intended Use

The equipment may only be used for its intended purpose.

The equipment is suitable for home use and semi-professional use (e.g. hospitals, clubs, hotels, schools, etc.). The equipment is not suitable for commercial or professional use (e.g. fitness studio).

Legal Notice

Sport-Tiedje GmbH
Europe's No. 1 for home fitness

International Headquarters
Flensburger Straße 55
24837 Schleswig
Germany

Management:
Christian Grau
Sebastian Campmann
Dr. Bernhard Schenkel
No. HRB 1000 SL
Local Court Flensburg
European VAT Number: DE813211547

Disclaimer



©2008 Taurus® is a registered brand of the company SportTiedje GmbH. All rights reserved. Any use of this trademark without the explicit written permission of Sport-Tiedje is prohibited.

Product and manual are subject to change. Technical data can be changed without advance notice.

ABOUT THIS MANUAL

Please carefully read the entire manual before installation and first use. The manual will help you to quickly set up the system and explains how to safely use it. Make sure that all persons exercising with the equipment (especially children and persons with physical, sensory, mental or motor disabilities) are informed about this manual and its contents in advance. In case of doubt, responsible persons must supervise the use of the equipment.



Due to ongoing changes and software optimisations, the manual may have to be updated. If you notice any discrepancies during assembly or use, please refer to the manual uploaded to the webshop. The latest manual is always available there.

This equipment has been manufactured according to the latest safety knowledge. As far as possible, potential safety hazards which could cause injury have been eliminated. Make sure to carefully follow the instructions and that all parts are securely in place. If required, read through the instructions again to correct any mistakes.

Please pay close attention to the safety and maintenance instructions given here. The contract partner cannot be held liable for damage to health, accidents or damage to the equipment when it is not used in accordance with these instructions.

The following safety instructions may appear in this manual:

► **ATTENTION**

This notice indicates potentially hazardous situations which, if not avoided, may result in property damage.

⚠ **CAUTION**

This notice indicates potentially hazardous situations which, if not avoided, may result in slight or minor injuries!

⚠ **WARNING**

This notice indicates potentially hazardous situations which, if not avoided, may result in death or serious injuries!

⚠ **DANGER**

This notice indicates potentially hazardous situations which, if not avoided, will result in death or serious injuries!

ⓘ **NOTICE**

This notice indicates further useful information.

Retain these instructions in a safe place for future reference, maintenance or when ordering replacement parts.

1.1 Technical Data

LCD - Display of

- + training time
- + training route
- + calorie consumption
- + heart rate

Braking system:

Leather brake

Flywheel:

20 kg

Dimensions and weight

Article weight (gross, incl. packaging):

63 kg

Article weight (net, without packaging):

56.5 kg

Packaging dimensions (LxWxH):

106 cm x 21.5 cm x 96 cm

Set-up dimensions (LxWxH):

124 cm x 53 cm x 123 cm

Maximum user weight:

130 kg

1.2 Personal Safety

DANGER

- + Before you start using the equipment, you should consult your physician that this type of exercise is suitable for you from a health perspective. Particularly affected are persons who: have a hereditary disposition to high blood pressure or heart disease, are over the age of 45, smoke, have high cholesterol values, are overweight and/or have not exercised regularly in the past year. If you are under medical treatment that affects your heart rate, medical advice is absolutely essential.
- + Note that excessive training can seriously endanger your health. Please also note that heart rate monitoring systems can be inaccurate. If you notice any signs of weakness, nausea, dizziness, pain, shortness of breath, or other abnormal symptoms, stop exercising immediately and seek advice from your doctor if necessary.

WARNING

- + This equipment may not be used by children under the age of 14.
- + Children should not be allowed unsupervised access to the equipment.
- + Persons with disabilities must have a medical license and must be under strict observation when using the equipment.
- + The equipment is strictly for use by one person at a time.
- + If your equipment provides a safety key, the clip of the safety key must be attached to your clothing before starting your training. In the event of a fall, the EMERGENCY STOP of the equipment can be initiated.
- + Keep your hands, feet and other body parts, hair, clothing, jewellery and other objects well clear of moving parts.
- + During use, wear suitable sports clothing rather than loose or baggy clothing. When wearing sports shoes, make sure they have suitable soles, preferably made of rubber or other non-slip materials. Shoes with heels, leather soles, studs or spikes are unsuitable. Never exercise barefoot.

CAUTION

- + If your equipment needs to be connected to the power supply with a mains cable, make sure that the cable is not a potential tripping hazard.
- + Make sure that nobody is within the range of motion of the equipment during training so as not to endanger you or other persons.

ATTENTION

- + Do not insert any objects of any kind into the openings of the device.

1.3 Set-Up Place

WARNING

- + Do not place the equipment in main corridors or escape routes.

CAUTION

- + Choose a location in which to place the equipment such that there is enough free space/clearance to the front, the rear and to the sides of the equipment. Make sure that you leave at least 30 cm on each side of the equipment and at least 15 cm in front of and behind the equipment as a training zone. This is the minimum required area in order to safely use the equipment. The recommended free zone around the equipment should be at least 60 cm on each side and 45 cm in front of and behind the equipment.
- + The training room should be well ventilated during training and not be exposed to any draughts.
- + Choose the place in which to set up the equipment such that there is enough free space/clearance to the front, the rear and to the sides of the equipment.
- + The set-up and mounting surface of the equipment should be flat, loadable and solid.

ATTENTION

- + The device may only be used in one building, in sufficiently tempered and dry rooms (ambient temperatures between 10°C and 35°C). The equipment should not be used outdoors or in rooms with high humidity (over 70%) like swimming pools.
- + A floor protective mat/equipment underlay can help to protect high-quality floor coverings (parquet, laminate, cork, carpets) from dents and sweat and can help to level out slight unevenness.

2.1 General Instructions



DANGER

- + Do not leave any tools, packaging materials such as foils or small parts lying around, as otherwise there is a danger of suffocation for children. Keep children away from the equipment during assembly.



WARNING

- + Pay attention to the instructions attached to the equipment in order to reduce the risk of injuries.



CAUTION

- + Do not open the packaging when it is lying on its side.
- + Ensure to have sufficient room for movement in each direction during assembly.
- + The assembly of the equipment must be carried out by at least two adults. If in doubt, seek the help of a third technically skilled person.



ATTENTION

- + To prevent damage to the equipment and the floor, assemble the equipment on a mat or packaging board.



NOTICE

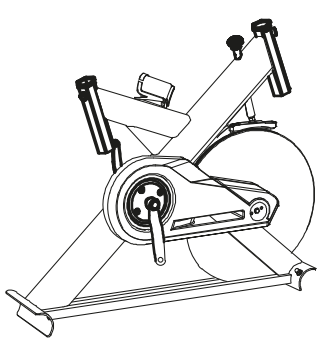
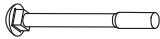
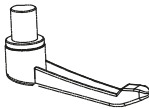
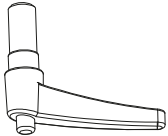
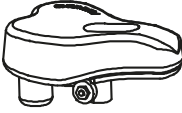






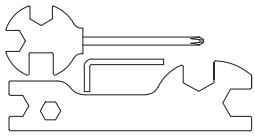

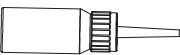


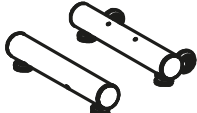
- + In order to make the assembly as simple as possible, some screws and nuts to be used can already be pre-assembled.
- + Ideally, assemble the equipment at its later set-up place.

2.2 Scope of Delivery

The scope of delivery consist of the following parts. At the beginning, check whether all parts and tools belonging to the device are included in the scope of delivery and whether damage has occurred. In the event of complaints, the contractual partner must be contacted directly.

CAUTION

If parts of the scope of delivery are missing or damaged, the assembly must not be carried out.

	1		M10*90	4
			M16*25	2
			M16*20	2
	1			
	1			
1* M6*10 	1		Φ 10	4
	1		M10	4
1* M6*10 	1			1
	1		Φ 28*122	1
4* M5*10 	1			
	1			
	1			

2.3 Assembly

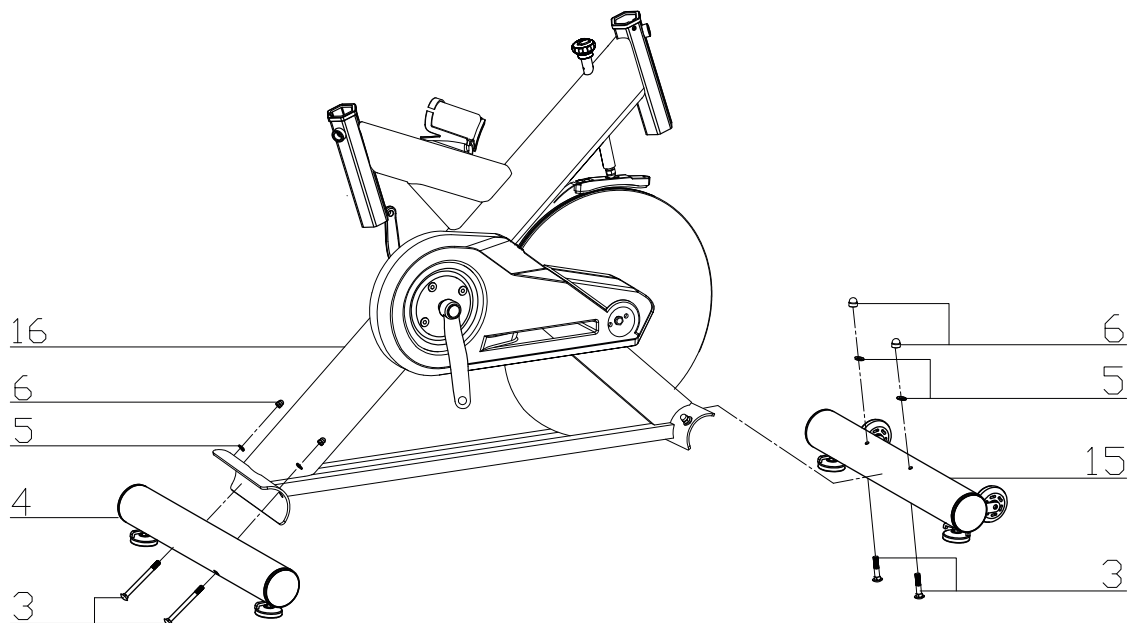
Before assembly, take a close look at the individual assembly steps shown and carry out the assembly in the order given.

NOTICE

First loosely screw all parts together and check that they fit properly. Tighten the screws using the tool only when you are instructed to do so.

Step 1: Assembly of the Front and Rear Stabilizers

1. Attach the front stabilizer (15) to the Main Frame (16) using two flat washers (5), two domed nuts (6) and two carriage bolts (3).
2. Attach the rear stabilizer (4) to the main frame (16) using two flat washers (5), two domed nuts (6) and two carriage bolts (3).



Step 2: Assembly of the Seat

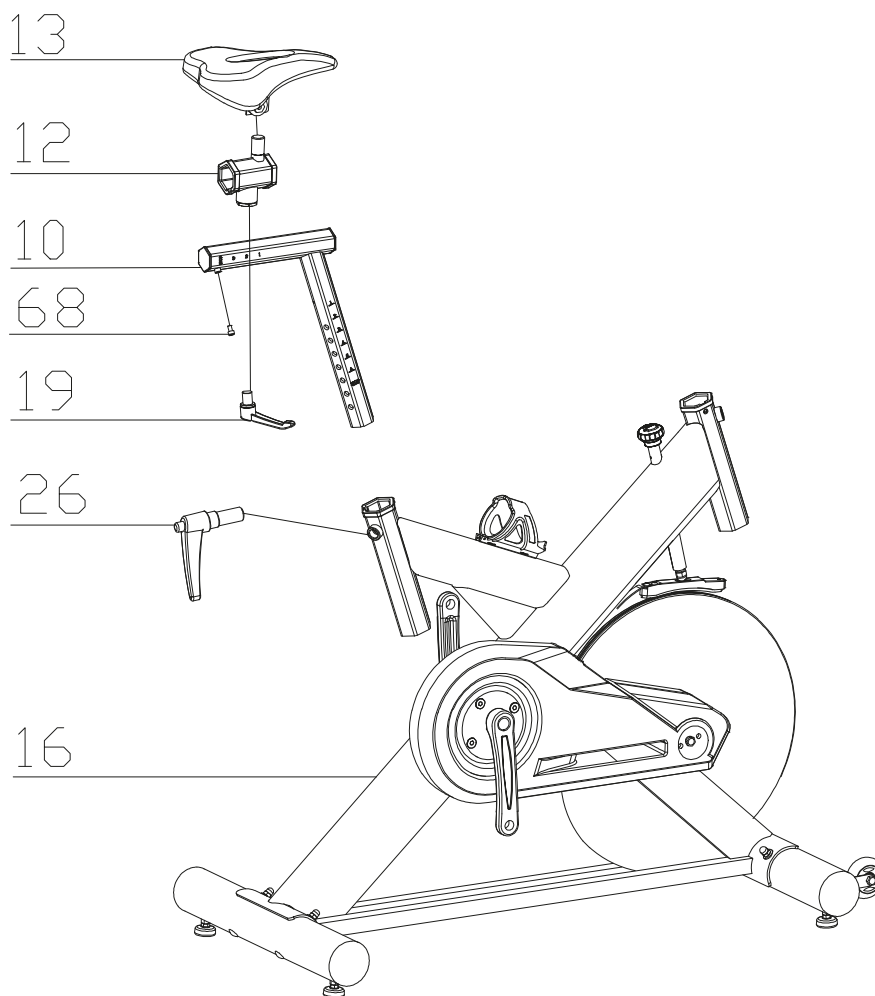
1. Slide the vertical seat post (10) into the seat post housing of the main frame (16).
2. Align the vertical seat post (10) to the desired height.
3. Attach the L shape knob (26).



CAUTION

Please take note that the L shape knob audibly engages in one of the adjustment holes.

4. Slide the Seat Post (12) onto the vertical seat post (10) and align it to the desired position.
5. Secure the seat post (12) to the vertical seat post (10) with the L shape knob (19) and the bolt (68).
6. Now fix the Seat (13) to the Seat Post (12) as shown, and tighten the screws under the seat.



Step 3: Assembly of the Handlebar and the Console

1. Slide the handlebar post (17) into the handlebar post housing of the main frame (16).
2. Align the handlebar post (17) to the desired height.
3. Attach the L shape knob (26).



CAUTION

Please take note that the L shape knob audibly engages in one of the adjustment holes.

4. Slide the handlebar (18) onto the handlebar post (17) and align it to the desired position.
5. Secure the handlebar (18) to the handlebar post (17) with the L shape knob (19) and the bolt (68).
6. Connect the cables A1 & A2.



ATTENTION

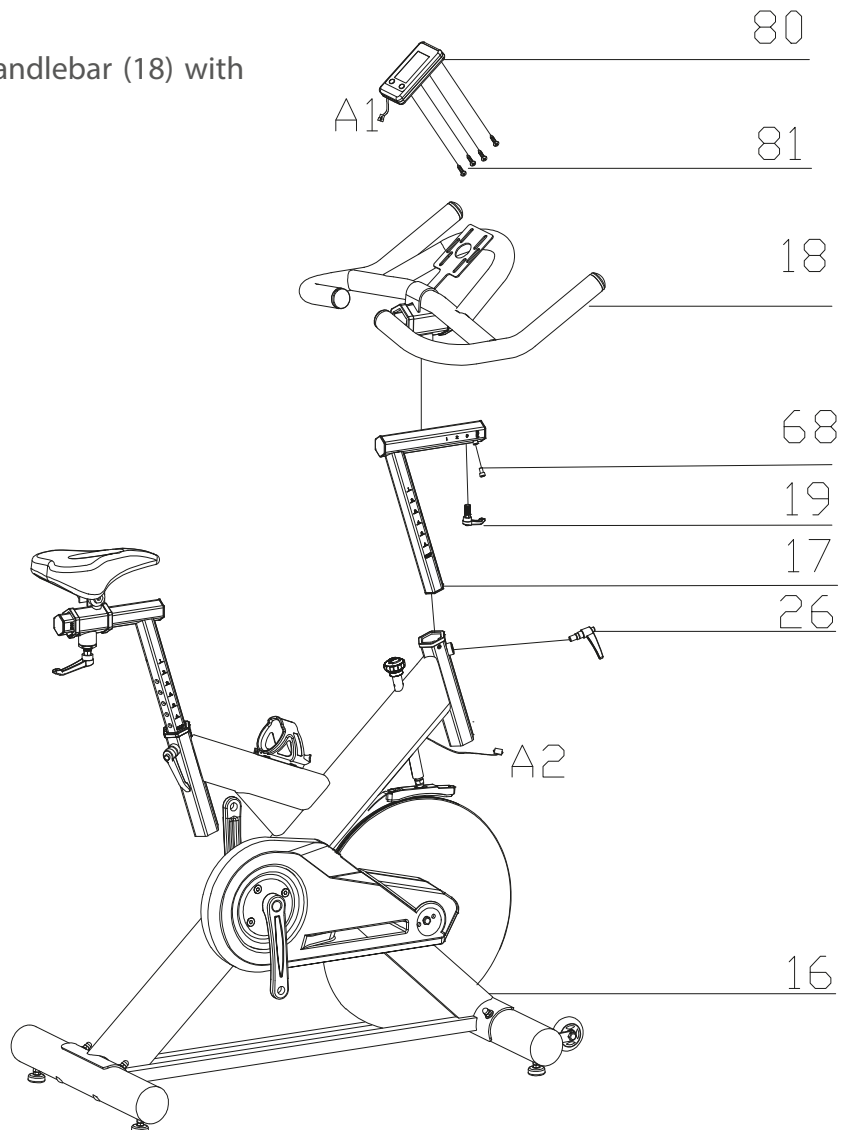
Make sure not to pinch the cables during the following step.



NOTICE

Before performing the next step, insert the supplied batteries into the console. To insert or replace a battery, follow the instructions in Section 2.4.2.

7. Fix the computer (80) to the handlebar (18) with four bolts (81).



Step 4: Assembly of the Pedals

ⓘ NOTICE

- + The pedals (1L & 1R) are marked with an „L“ and an „R“ for left and right.
- + The right crank arm is in sitting position on the right side.

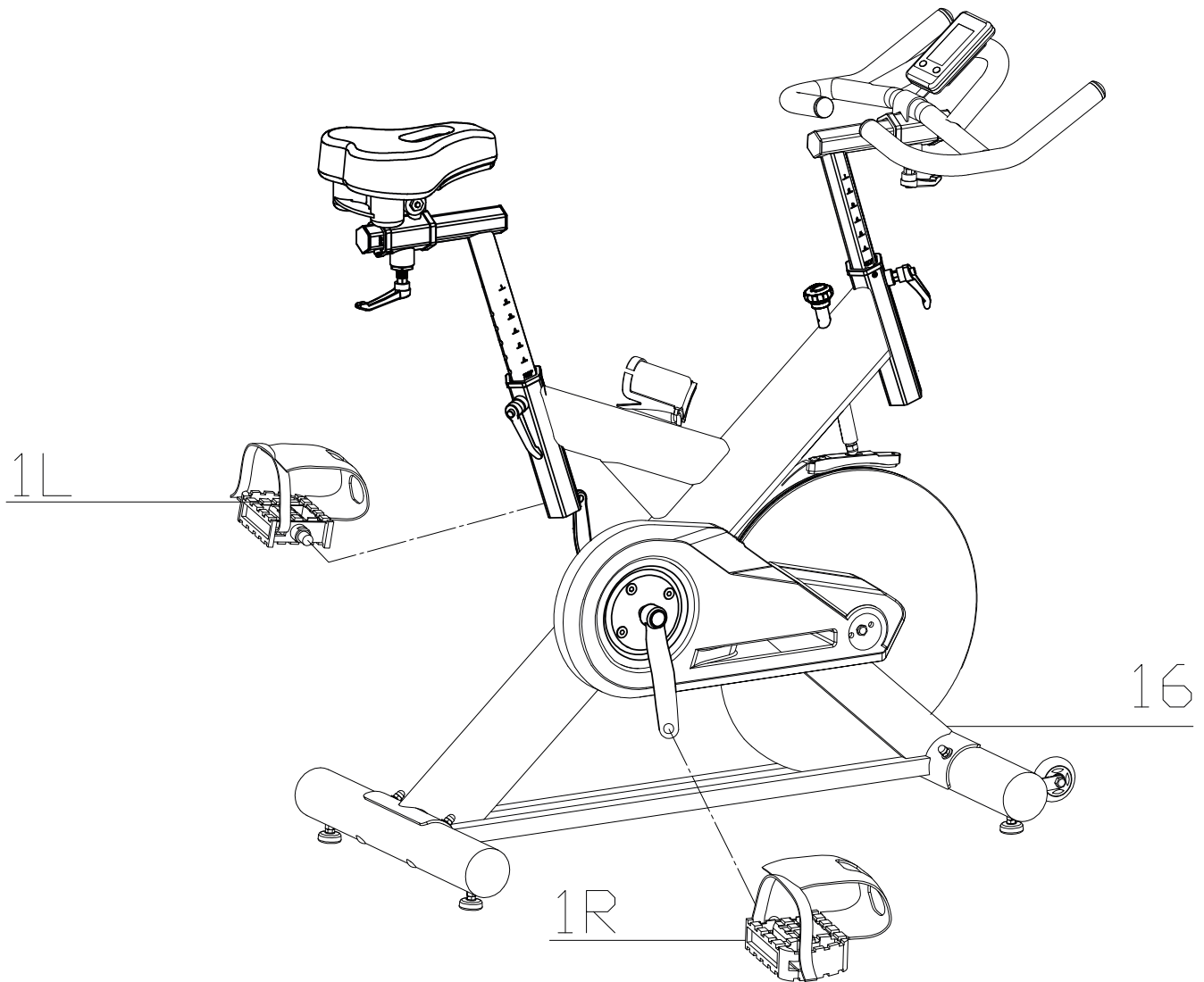
1. Attach the left pedal (1L) to the left crank arm by turning the pedal (1L) counterclockwise onto the crank arm.
2. Attach the right pedal (1R) to the right crank arm by turning the pedal (1R) clockwise onto the crank arm.

⚠ CAUTION

Make sure to screw in the pedals completely.

3. Tighten all screw joints.

→ *The assembly of the equipment is now completed.*



2.4 Adjustments

2.4.1 Adjusting the Handlebar and Saddle

Both the handlebar and the saddle can be adjusted horizontally and vertically.

1. To do this, loosen the L lever at the appropriate point and pull it out a little. Now position either the saddle or the handlebar in the desired position.



CAUTION

Make sure that the L lever audibly engages in one of the adjustment holes.

2. Now release the L lever and tighten it.

2.4.2 Changing the Battery

NOTICE

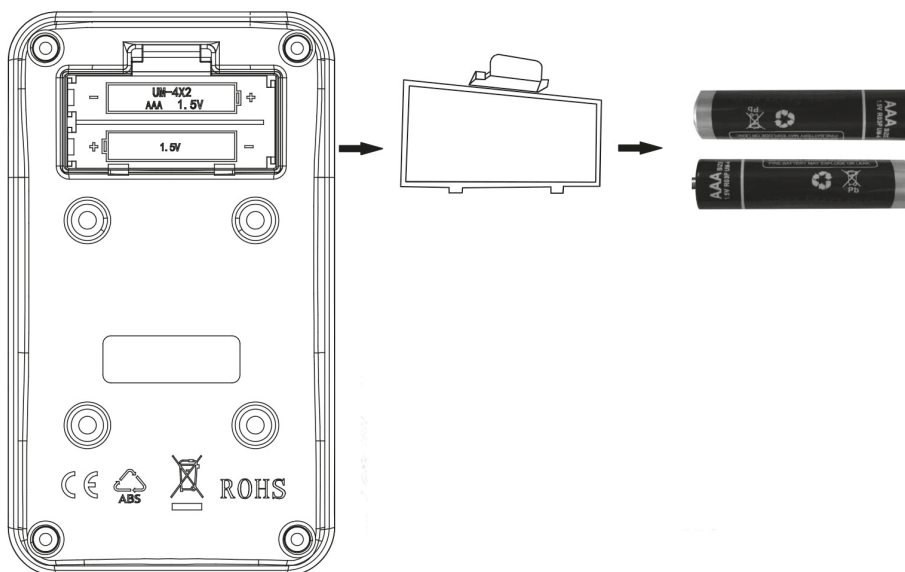
- + As soon as the console registers no movement or action for approx. 4 minutes, it switches to the energy-saving mode. You can exit the energy-saving mode by pressing any key. The original values are retained.
- + If the display does not function correctly, replace the battery. Please note that in such a case the original values will not be saved.
- + You need to remove the console from the handlebar to be able to change the battery.

1. Pull up the clip on the side of the battery compartment and remove the cover.

NOTICE

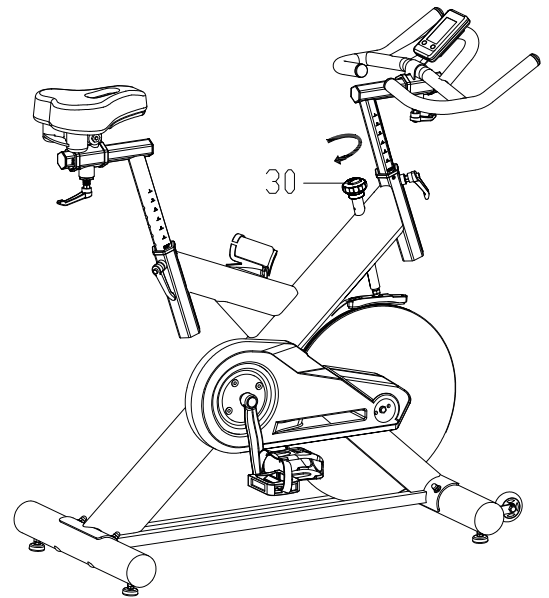
Pay attention to the marks on the batteries before inserting the batteries. Align the batteries according to the pole directions.

2. Insert two new AAA 1,5V batteries.
3. Close the battery compartment by re-attaching the cover.



2.4.3 Adjusting the Tension

- + To increase the resistance, turn the emergency brake & tension control knob (30) to the right.
- + To decrease the resistance, turn the emergency brake & tension control knob (30) to the left.



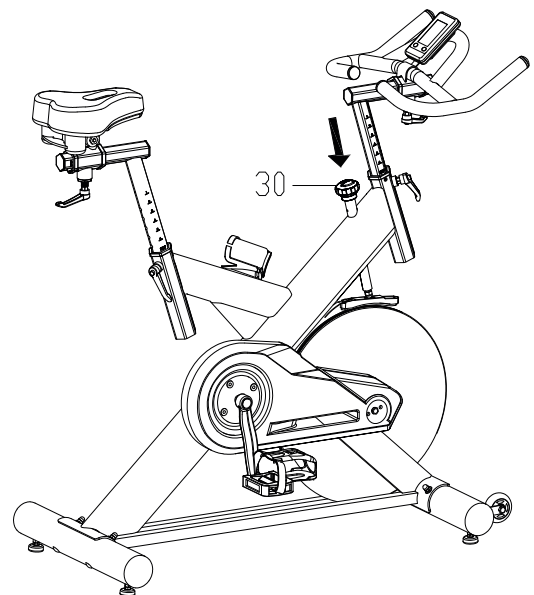
2.4.4 Using the Emergency Brake Function

⚠ WARNING

Use this safety feature in any emergency situation where you need to get off the indoor cycle or bring the flywheel to a standstill.

The same knob that allows you to adjust the resistance of the indoor cycle also doubles as the emergency brake.

To use the emergency brake firmly press down on the emergency brake & tension control knob (30).



3 OPERATING INSTRUCTIONS

① NOTICE

Familiarise yourself with all the functions and setting options of the device before starting training. Have the proper use of this product explained to you by a specialist.

3.1 Console Display



TIME	+ Display of the training time + Display range 0:00 - 99:59
SPEED	+ Display of the current speed + Display range 0.0 - 240 km/h or ml/h
DISTANCE	+ Display of the covered distance + Display range 0 - 999.9 km or ml
CALORIES	+ Display of calories + Display range 0 - 999.9 kcal
PULSE	+ Display of the current heart rate ① NOTICE This indoor cycle is not equipped with hand pulse sensors. To use this function, a chest strap is necessary.
SCAN	+ Automatically changing display of individual parameters (TIME - DISTANCE - CALORIES - RPM/SPEED)

3.2 Button Functions

MODE/ RESET	+ Use this button to switch between the parameters and to confirm all your settings. + Press and hold this button for approx. 2 seconds to reset all values.
SET	+ Use this button to set the Display of the current speed

3.3 Programmes

3.3.1 Quick Start Programme

To start the Quick-Start program, simply pedal. All values are incremented. To exit the program, press the reset button.

3.3.2 Target Programmes

There are several setting options for the target programmes:

Training depending on one target value:

Set the desired target value for time, calories or distance with the SET-button and confirm with the MODE-button. Step on the pedals and the programme starts. The set value is counted down, the other values are counted up. As soon as the set target value is reached, an acoustic signal is heard.

Training depending on several target values:

If you set multiple values for parameters, the corresponding values will be counted down during the workout. Potentially unspecified values are counted up. The programme stops as soon as one of the set values reaches 0 and an acoustic signal is heard.

4.1 General Instructions

▶ ATTENTION

- + Make sure that the equipment is protected from moisture, dust and dirt in the selected storage location. The storage location should be dry and well ventilated and have a constant ambient temperature between 5°C and 45°C.

⚠ WARNING

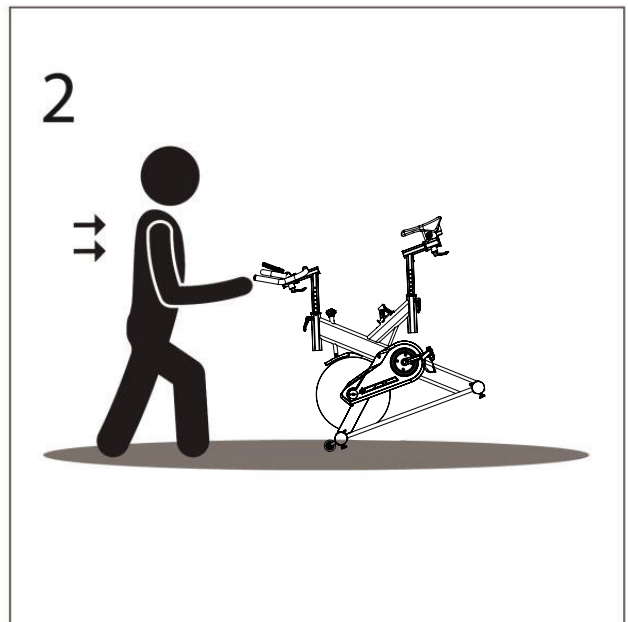
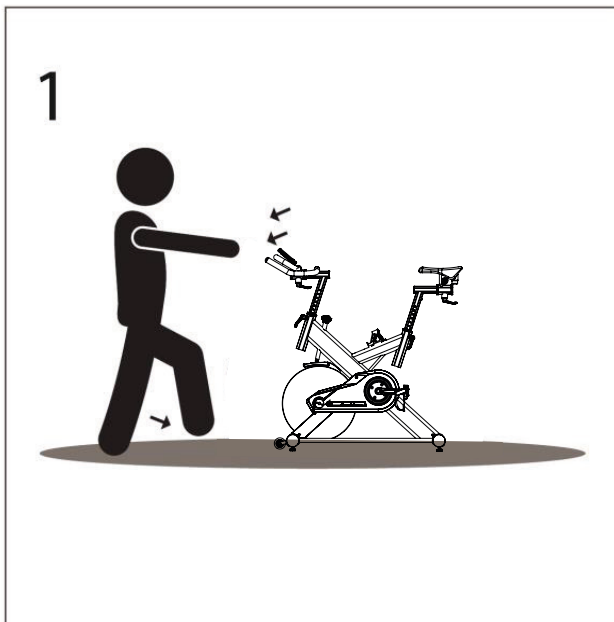
- + The storage location should be chosen so that improper use by third parties or children can be prevented.
- + If your equipment does not have transportation wheels, the equipment must be disassembled before transportation.

4.2 Transportation Wheels

▶ ATTENTION

If you want to transport your equipment over particularly sensitive and soft floor coverings, such as parquet, planks or laminate, lay out the transport route with cardboard or similar to avoid possible floor damage.

1. Stand in front of the equipment and lift it until the weight is transferred to the transportation wheels. After that, you easily can move the equipment to a new position. For long transport distances the equipment should be disassembled and safely packed.
2. Select the new location by following the instructions in the section 1.3 of this manual.



5.1 General Instructions



WARNING

- + Do not make any improper changes to the equipment.



CAUTION

- + Damaged or worn components may affect your safety and the life of the equipment. Therefore, immediately replace damaged or worn components. In such a case, contact the contract partner. The equipment must not be used until it has been repaired. If necessary, use only original spare parts.

► ATTENTION

- + In addition to the instructions and recommendations for maintenance and care given here, additional service and/or repair work may be necessary; this must only be carried out by authorised service technicians.

5.2 Faults and Fault Diagnosis

The equipment undergoes regular quality controls during production. Nevertheless, faults or malfunctions may occur. Frequently, individual parts are responsible for these disturbances, an exchange is usually sufficient. Please refer to the following overview for the most common errors and how to correct them. If the equipment still does not function properly, contact your contract partner.

Fault	Cause	Solution
Squeaking or cracking noise	Loose or too tight screw connections	Check screw connections or lubricate
Cracking in the pedal area	Pedals loose	Tighten the pedals
Equipment wobbles	Equipment is not level	Align the feet
Handlebar/saddle wobbles	Loose screws	Tighten screws firmly
Display is blank/is not working	Batteries empty or loose cable connection	Replace batteries or check cable connections
No pulse display	<ul style="list-style-type: none"> + Sources of interference in the room + unsuitable chest strap + Wrong position of chest strap + Chest strap defective or battery empty + Pulse display defective 	<ul style="list-style-type: none"> + Eliminate sources of interference (e.g. mobile phone, WLAN, lawn mower and vacuum cleaner robot, etc. ...) + Use a suitable chest strap (see RECOMMENDED ACCESSORIES). + Reposition chest strap and/or moisten electrodes + Changing batteries

5.3 Maintenance and Inspection Calendar

To avoid damage from body sweat, the equipment must be cleaned with a damp towel (no solvents!) after each training session.

The following routine tasks must be performed at the specified intervals:

Part	Weekly	Monthly	Quarterly	Half-yearly
Display console	C	I		
Plastic covers	C	I		
Check pedals for tightness		I		
Screws and cable connections		I		
Pedale auf Festigkeit prüfen		I		
Legend: C = clean; I = inspect				

6 DISPOSAL

At the end of its operational life, this equipment cannot be disposed of in normal household waste. Instead, it must be disposed of via an electricals recycling centre. Further information can be obtained from your local authority's recycling service.



The materials can be recycled as per their symbols. Through the reuse, recycling of materials or other forms of recovery of old equipment, you make an important contribution to the protection of the environment.

7 RECOMMENDED ACCESSORIES

To make your training experience even more efficient and pleasant, we recommend that you add suiting accessories to your fitness equipment. This could be a floor mat, for example, which makes your fitness equipment stand more securely and also protects the floor from falling sweat, but it could also be additional handrails on some treadmills or silicone spray to keep moving parts in good shape.

If you have purchased a fitness machine with pulse training and want to train your heart rate, we strongly recommend that you use a compatible chest strap, as this ensures optimum transmission of the heart rate. You may want to buy additional grips or weights for multi gyms.

Our range of accessories offers the highest quality and makes training even better. If you would like to find out more about compatible accessories, please go to the detail page of the product in our webshop (the easiest way is to enter the article number in the search field above) and go to the recommended accessories on this page. Of course, you can also contact our customer service: by telephone, e-mail, in one of our branches or via our social media channels. We will be happy to advise you!



floor mat



chest strap



chest strap contact gel



towels



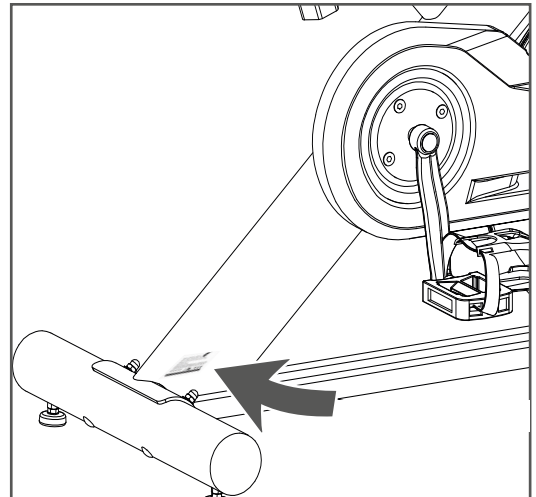
silicone spray

8.1 Serial Number and Model Name

In order to provide you with the best possible service, please have the model name, article number, serial number, exploded drawing and parts list ready. The corresponding contact options can be found in chapter 10 of this operating manual.

NOTICE

The serial number of your equipment is unique. It's located on a white sticker. The exact position of this sticker is shown in the following illustration.



Enter the serial number in the appropriate field.

Serial number:

Brand / Category:

Model Name:

Article Number:

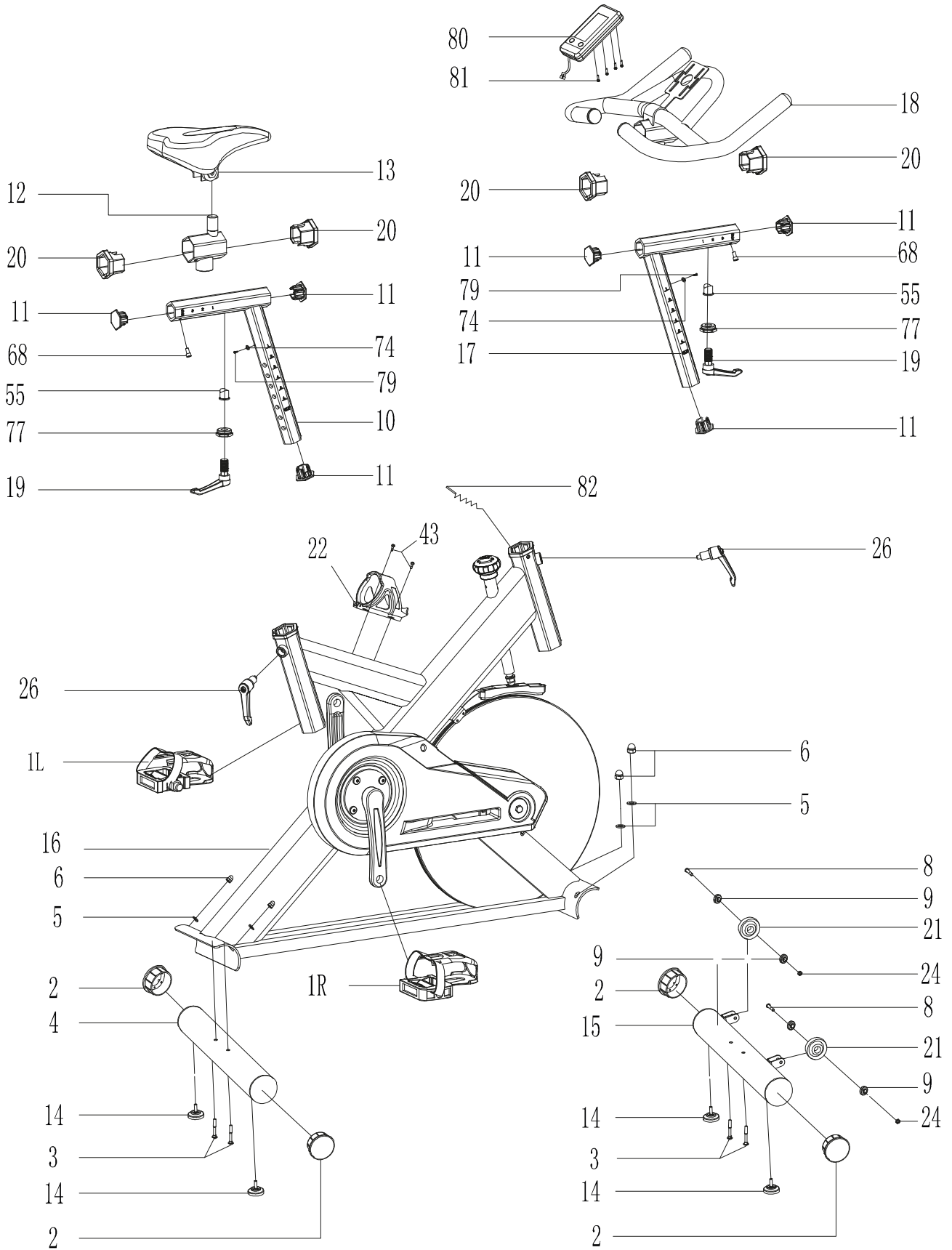
8.2 Parts List

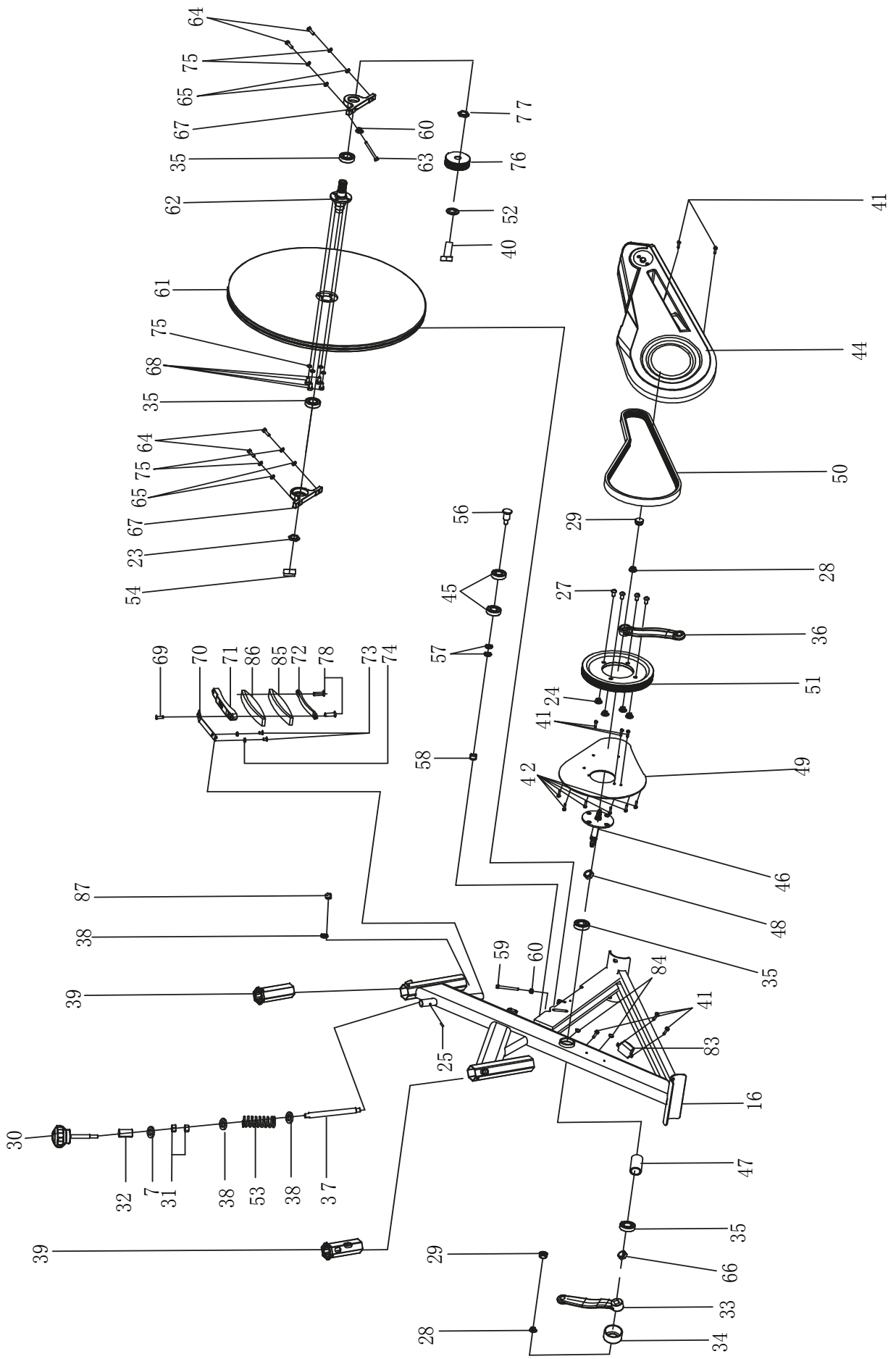
No.	Name	Qty.	Specification
1	PEDAL	1	JD-304V(9/16") SPD
2	END CAP1	4	φ76
3	CARRIAGE BOLT	4	GB/T 12-1988 M10*90
4	REAR STABILIZER	1	WELDING
5	ARC WASHER	4	φ10
6	DOMED NUT	4	GB/T 802-1988 M10
7	WASHER 2	1	M10
8	BOLT	2	GB/T 5780-2000 M8*40
9	BEARING	4	608ZZ
10	VERTICAL SEAT POST	1	WELDING
11	END CAP 2	6	38*38*5.0
12	SEAT POST	1	WELDING
13	SEAT	1	VL-3127
14	STOPPER	4	φ52*39
15	FRONT STABILIZER	1	WELDING
16	MAIN FRAME	1	WELDING
17	HANDLEBAR POST	1	WELDING
18	HANDLE BAR	1	WELDING
19	L SHAPE KNOB	2	M16*25
20	PLASTIC SLEEVE	4	38*38*2.0
21	PU WHEEL	2	φ69*23
22	kettle rack	1	117*85*90
23	FIXING NUT	2	27*6(M20*1)
24	NUT	6	GB/T 889.1-2000 M8
25	BOLT 1	1	GB/T77-2007 M6*6
26	L SHAPE KNOB	2	(M16*1.5)X20mm
27	BOLT 1	4	GB/T 70.2-2000 M8*16
28	FIXING NUT 1	2	M12X1.25 H=8MM
29	CRANK END CAP	2	φ28*6.5
30	KNOB	1	φ60*113
31	NUT	2	GB/T 41-2000 M10
32	Twist The Fixings	1	φ20*34

33	LEFT CRANK	1	170*15
34	CRANK COVER	1	φ56*28
35	BEARING	4	6004ZZ
36	RIGHT CRANK	1	170*15
37	Screw rod	1	Φ13.5*185
38	WASHER 2	3	φ20*φ14*2.0
39	PLASTIC SLEEVE 1	2	38*38*1.5
40	BOLT 10	1	M10*21
41	SCREW 2	8	GB/T 15856.1-2002 ST4.2X19
42	SCREW 3	6	GB/T 15856.1-2002 ST4.2X19
43	SCREW 3	2	GB/845-85 ST4.8X19
44	OUTER CHAIN COVER	1	575*260*45
45	BEARING	2	6203ZZ
46	AXIS	1	φ20*162
47	LONG FIXING TUBE	1	φ25*φ20.2*41.2
48	SHORT FIXING TUBE	1	φ25*φ20.5*12
49	INNER CHAIN COVER	1	287*254*10
50	BELT	1	5P1180
51	BELT WHEEL	1	φ200*24
52	FLAT WASHER 1	1	φ45*φ10.5*4
53	SPRING 1	1	φ18*62
54	FIXING NUT 3	1	M20*1.0
55	FIXING SHAFT	2	φ22*20
56	SHAFT	1	φ25*45
57	FLAT WASHER 1	2	GB/T 95-2002 12
58	SHAFT NUT	1	φ18*11
59	BOLT 4	1	GB/T 70.1-2000 M6*40
60	NUT 2	2	GB/T 41-2000 M6
61	FLYWHEEL	1	φ460*15(20KG)
62	FLYWHEEL SHAFT	1	φ49*90
63	BOLT 5	1	GB/T 70.1-2000 M6*20
64	BOLT 6	4	GB/T 70.1-2000 M6*30
65	FLAT WASHER 1	8	GB/T 95-2002 6
66	FIXING NUT	1	M20*1.0
67	FLYWHEEL HOLDER	2	129*56.5*15

68	BOLT 7	6	GB/T 70.1-2000 M6*12
69	BOLT 8	1	GB/T 70.1-2000 M6*12
70	ADJUSTING METAL	1	117*14.5* δ 1.5
71	BLOCK	1	161*21*19
72	WOOLLY BLOCK	1	153*16*4
73	BOLT 9	2	GB/T 5780-2000 M5*10
74	SPRING WASHER 1	4	GB/T 859-1987 5
75	SPRING WASHER 2	8	GB/T 859-1987 6
76	LITTLE BELT WHEEL	1	ϕ 64*23
77	FIXING NUT	2	32*12 (M16x1.5)
78	BOLT 10	2	GB/845-85 M6*16
79	SCREW10	2	GB/845-85 ST4.8X13
80	COMPUTER	1	ST-6521
81	SCREW 4	4	GB/T 5780-2000 M5*10
82	SENSOR	1	SR-202
83	Domed Nut	1	GB/T 802-1988 M10
84	Plastic plug	2	ϕ 14*14
85	EVA paddle	1	50*20*4
86	EVA paddle	1	95*16*9
87	DOMED NUT	1	GB/T 802-1988 M10
88	SILICON OIL	1	ϕ 28*122 (20ML)

8.3 Exploded Drawing





Training equipment from Taurus® is subject to strict quality control. However, if a fitness equipment purchased from us does not work perfectly, we take it very seriously and ask you to contact our customer service as indicated. We are happy to help you by phone via our service hotline.

Error Descriptions

Your fitness equipment is developed for long-term, high-quality training. However, should a problem arise, please first read the operating instructions. For further assistance, please contact your contract partner or call our service hotline. To ensure your problem is solved as quickly as possible, please describe the defect as exactly as possible.

In addition to the statutory warranty, we provide a warranty for every fitness equipment purchased from us according to the following provisions.

Your statutory rights are not affected.

Warrantee

The warrantee is the first/original buyer and/or any person who received a newly purchased product as a gift from the original buyer.

Warranty period

The warranty periods, shown on our web shop, begin on delivery of the fitness equipment. The respective warranty periods for your equipment can be found on its product website.

Repair Costs

According to our choice, there will either be a repair, a replacement of individual damaged parts or a complete replacement. Spare parts, that have to be mounted while assembling the equipment, have to be replaced by the warrantee personally and are not a part of repair. After the expiration of the warranty period for repair costs, a pure parts warranty applies, which does not include the repair, installation and delivery costs.

The terms of use are defined as follows:

- + Home use: solely for private use in private households up to 3 hours per day
- + Semi-professional use: up to 6 hours per day (e. g. rehabilitation centres, hotels, clubs, company gyms)
- + Professional use: more than 6 hours per day (e. g. commercial gyms)

Warranty Service

Within the warranty period, equipment which develops faults as a result of material or manufacturing defects, will be repaired or replaced at our discretion. Ownership of equipment or parts of equipment which have been replaced is transferred to us. The warranty period is not extended nor does a new warranty period begin following repair or replacement under the warranty.

Warranty Conditions

For the warranty to be valid, the following steps must be taken:

Please contact our customer service by email or phone. If the product under warranty has to be sent in for repair, the seller bears costs. After expiry of the warranty, the buyer bears the costs of transport and insurance. If the fault is covered by our warranty, you will receive a new or repaired equipment in return.

Warranty claims are invalid in case of damage resulting from:

- + misuse or improper handling
- + environmental influences (moisture, heat, electrical surge, dust, etc.)
- + failure to follow the current safety measures for the equipment
- + failure to follow the operating instructions
- + use of force (e. g. hitting, kicking, falling)
- + interventions which were not carried out by one of our authorized service centres
- + unauthorised repair attempts

Proof of Purchase and Serial Number

Please make sure that you are able to provide the appropriate receipt when claiming on your warranty. So that we can clearly identify the model of your equipment, and for the purposes of our quality control, you will need to give the serial number of your equipment, when contacting the service team. Where possible please have your serial number and your customer number ready when you call our service hotline. It will help us to deal with your request swiftly.

If you cannot find the serial number on your fitness equipment, our service team is at your disposal to offer further information.

Service outside of the Warranty Period

We are also happy to issue an individual cost estimate if there is a problem with your fitness equipment after the warranty has expired, or in cases which do not fall under the terms of the warranty, e. g. normal wear and tear. Please contact our customer service team to find a quick and cost-effective solution to your problem. In such a case you will be responsible for the delivery costs.

Communication

Many problems can be solved just by speaking to us as your specialist supplier. We know how important it is to you as a user of the fitness equipment to have problems solved quickly and simply, so you can enjoy working out with minimal interruption. For that reason, we also want to resolve your queries quickly and in a straightforward manner. Thus, please always keep your customer number and the serial number of the faulty equipment handy.

DE	DK	FR
<p>TECHNICAL SUPPORT</p> <p>☎ +49 4621 4210-900 ☎ +49 4621 4210-698 ✉ technik@sport-tiedje.de 🕒 Mo - Fr 08:00 - 18:00 Sa 09:00 - 18:00</p> <p>SERVICE</p> <p>☎ 0800 20 20277 (Freecall) ✉ info@sport-tiedje.de 🕒 Mo - Fr 08:00 - 21:00 Sa 09:00 - 21:00 So 10:00 - 18:00</p>	<p>TECHNICAL SUPPORT & SERVICE</p> <p>☎ 80 90 16 50 +49 4621 4210-945 ✉ info@fitshop.dk 🕒 Mo - Fr 08:00 - 18:00 Sa 09:00 - 18:00</p>	<p>TECHNICAL SUPPORT & SERVICE</p> <p>☎ +33 (0) 172 770033 +49 4621 4210-933 ✉ service-france@fitshop.fr 🕒 Mo - Fr 08:00 - 18:00 Sa 09:00 - 18:00</p>
	PL	BE
	<p>TECHNICAL SUPPORT & SERVICE</p> <p>☎ 22 307 43 21 +49 4621 42 10-948 ✉ info@fitshop.pl 🕒 Mo - Fr 08:00 - 18:00 Sa 09:00 - 18:00</p>	<p>TECHNICAL SUPPORT & SERVICE</p> <p>☎ 02 732 46 77 +49 4621 42 10-932 ✉ info@fitshop.be 🕒 Mo - Fr 08:00 - 18:00 Sa 09:00 - 18:00</p>

UK	NL	INT
<p>TECHNICAL SUPPORT</p> <p>☎ +44 141 876 3986 ✉ support@powerhousefitness.co.uk</p> <p>SERVICE</p> <p>☎ +44 141 876 3972 🕒 Mo - Fr 9am - 5pm</p>	<p>TECHNICAL SUPPORT & SERVICE</p> <p>☎ +31 172 619961 ✉ info@fitshop.nl 🕒 Ma - Do 09:00 - 17:00 Vr 09:00 - 21:00 Za 10:00 - 17:00</p>	<p>TECHNICAL SUPPORT & SERVICE</p> <p>☎ +49 4621 4210-944 ✉ service-int@sport-tiedje.de 🕒 Mo - Fr 8am - 6pm Sat 9am - 6pm</p>
	AT	CH
	<p>TECHNICAL SUPPORT & SERVICE</p> <p>☎ 0800 20 20277 (Freecall) +49 4621 42 10-0 ✉ info@sport-tiedje.at 🕒 Mo - Fr 08:00 - 18:00 Sa 09:00 - 18:00</p>	<p>TECHNICAL SUPPORT & SERVICE</p> <p>☎ 0800 202 027 +49 4621 42 10-0 ✉ info@sport-tiedje.ch 🕒 Mo - Fr 08:00 - 18:00 Sa 09:00 - 18:00</p>

Please find a detailed overview including address and opening hours for all stores of the Sport-Tiedje Group in Germany and abroad on the following website:

www.sport-tiedje.com/en/stores

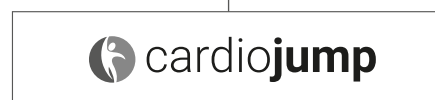
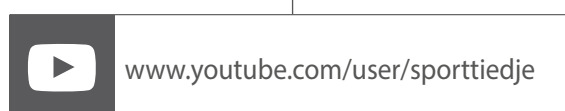
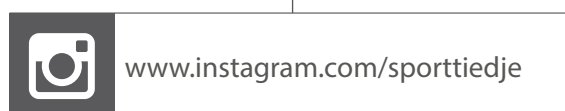
WE LIVE FITNESS

WEBSHOP AND SOCIAL MEDIA

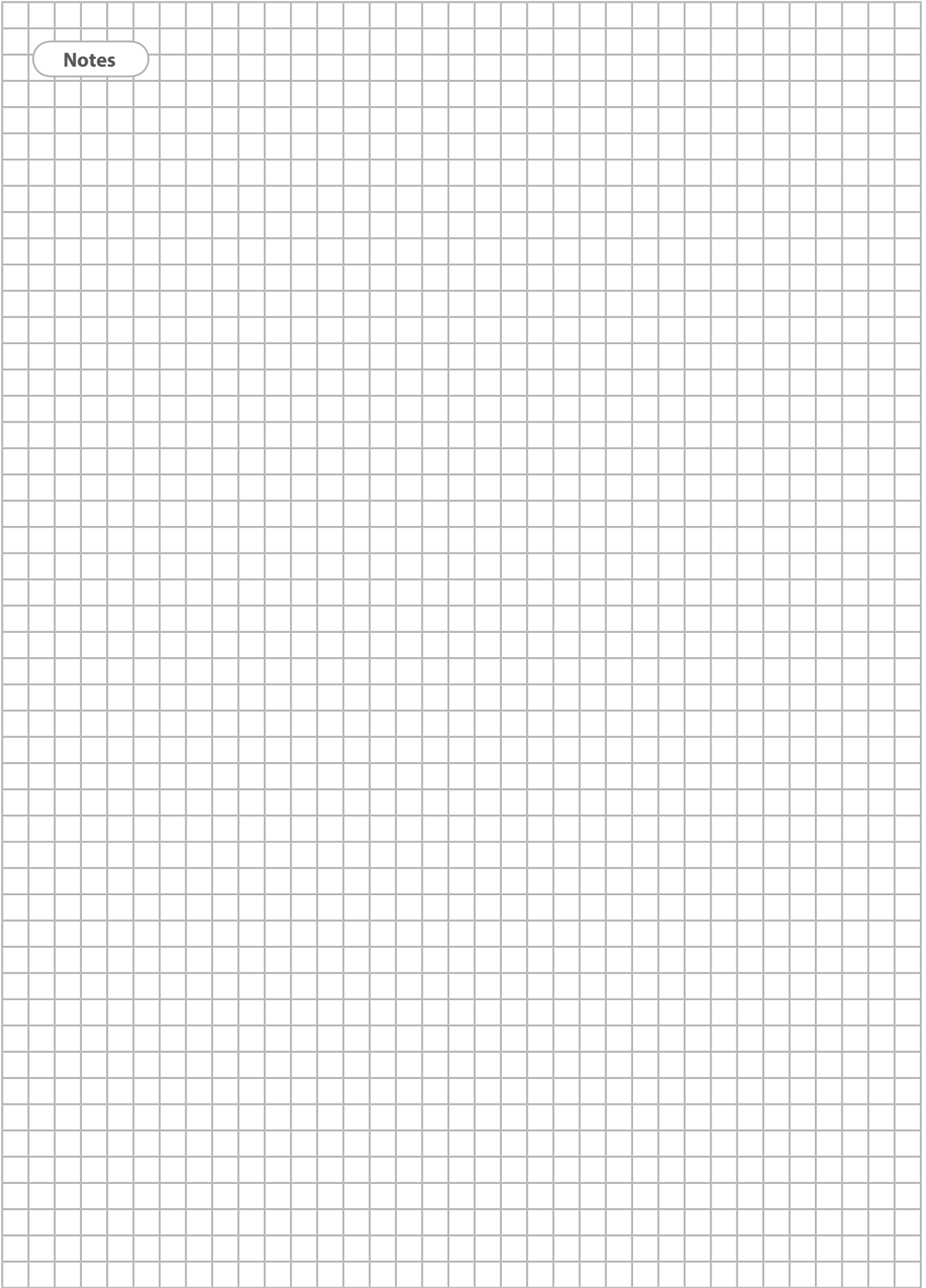
Sport-Tiedje is Europe's largest specialist store for home fitness equipment with currently 80 stores and one of the world's most renowned online mail order companies for fitness equipment. Private customers order via the 25 web shops in the respective national language or have their desired equipment assembled on site. In addition, the company supplies fitness studios, hotels, sports clubs, companies and physio practices with professional equipment for endurance and strength training.

Sport-Tiedje offers a wide range of fitness equipment from renowned manufacturers, high-quality in-house developments and comprehensive services, such as a build-up service and sports scientific advice before and after the purchase. The company employs numerous sports scientists, fitness trainers and competitive athletes.

Visit us also on our social media platforms or our blog!



Notes



TAURUS[®]

Indoor Cycle IC70 Pro