

TAURUS®

Assembly and Operating Instructions



max. 150 kg



~ 120 Min.



249 kg

L 249 | W 187 | H 154

FSTFSL7020.01.01

Art. No. TF-SL7020

Taurus 45 Degree Leg Press Sterling

Content

1	GENERAL INFORMATION	8
1.1	Technical Data	8
1.2	Personal Safety	9
1.3	Set-Up Place	10
2	ASSEMBLY	11
2.1	General Instructions	11
2.2	Scope of Delivery	11
2.3	Assembly	16
3	STORAGE AND TRANSPORT	29
3.1	General Instructions	29
4	TROUBLESHOOTING, CARE AND MAINTENANCE	30
4.1	General Instructions	30
4.2	Faults and Fault Diagnosis	30
4.3	Maintenance and Inspection Calendar	31
5	DISPOSAL	31
6	RECOMMENDED ACCESSORIES	32
7	ORDERING SPARE PARTS	33
7.1	Serial Number and Model Name	33
7.2	Parts List	34
7.3	Exploded Drawing	42
8	WARRANTY	48
9	CONTACT	50

Dear customer,

Thank you for choosing a high-quality equipment of the brand TAURUS®. Taurus offers sports and fitness equipment for the sophisticated home sport and the equipment of fitness studios and business customers. With Taurus fitness equipment, the focus is on what sport is all about: maximum performance! Therefore, the equipment is developed in close consultation with athletes and sports scientists. Because athletes know best what makes perfect fitness equipment.

Further information can be found at www.fitshop.com.

Intended Use

The equipment may only be used for its intended purpose.

This fitness equipment is suitable for home use, semi-professional use and commercial or professional use. The semi-professional sector includes, for example, institutional facilities such as hospitals, schools, hotels and associations. Professional use refers to commercial use, e.g. in a fitness studio.

Legal Notice

Fitshop GmbH
Europe's No. 1 for home fitness

International Headquarters
Flensburger Straße 55
24837 Schleswig
Germany

Management:
Christian Grau
Sebastian Campmann
Dr. Bernhard Schenkel
No. HRB 1000 SL
Local Court Flensburg
European VAT Number: DE813211547

Disclaimer

© TAURUS is a registered brand of the company Fitshop GmbH. All rights reserved. Any use of this trademark without the explicit written permission of Fitshop is prohibited.

Product and manual are subject to change. Technical data can be changed without advance notice.

FITSHOP

Europe's No.1 for Home Fitness

ABOUT THIS MANUAL

Please carefully read the entire manual before installation and first use. The manual will help you to quickly set up the system and explains how to safely use it. Make sure that all persons exercising with the equipment (especially children and persons with physical, sensory, mental or motor disabilities) are informed about this manual and its contents in advance. In case of doubt, responsible persons must supervise the use of the equipment.

Due to ongoing changes and software optimisations, the manual may have to be updated. If you notice any discrepancies during assembly or use, please refer to the manual uploaded to the webshop. The latest manual is always available there.



This equipment has been manufactured according to the latest safety knowledge. As far as possible, potential safety hazards which could cause injury have been eliminated. Make sure to carefully follow the instructions and that all parts are securely in place. If required, read through the instructions again to correct any mistakes.

Training devices must be classified according to accuracy and use. Accuracy classes are only applicable to devices that display training data.

Accuracy classes

Class A: high accuracy.

Class B: medium accuracy.

Class C: low accuracy.

The use classes explain the intended use of the training device.

Use classes

Class S (studio): professional and/or commercial use.

These training devices are intended for the use in training rooms of facilities such as sports clubs, school facilities, hotels, clubs and studios whose access and supervision is specifically regulated by the owner (person with legal responsibility).

Class H (home use): use at home.

These stationary training devices are intended for the use in private homes where access to the training device is regulated by the owner (person with legal responsibility).

Please pay close attention to the safety and maintenance instructions given here. The contract partner cannot be held liable for damage to health, accidents or damage to the equipment when it is not used in accordance with these instructions.

The following safety instructions may appear in this manual:

► **ATTENTION**

This notice indicates potentially hazardous situations which, if not avoided, may result in property damage.

⚠ **CAUTION**

This notice indicates potentially hazardous situations which, if not avoided, may result in slight or minor injuries!

⚠ **WARNING**

This notice indicates potentially hazardous situations which, if not avoided, may result in death or serious injuries!

⚠ **DANGER**

This notice indicates potentially hazardous situations which, if not avoided, will result in death or serious injuries!

ⓘ **NOTICE**

This notice indicates further useful information.

Retain these instructions in a safe place for future reference, maintenance or when ordering replacement parts.

1.1 Technical Data

Weight and Dimensions

Packaging dimensions (L x W x H) and article weight (gross, incl. packaging) approx.:

Box 1:	177.5 cm x 67.5 cm x 28 cm	103 kg
Box 2:	165.5 cm x 64.5 cm x 24 cm	71.3 kg
Box 3:	86.5 cm x 58.5 cm x 39.5 cm	75.5 kg
Box 4:	166.5 cm x 47.5 cm x 36 cm	28 kg

Set-up dimensions (L x W x H) approx.: 249 cm x 187 cm x 154 cm

Article weight (net, excl. packaging) approx.: 249 kg

Maximum user weight: 150 kg
Maximum load capacity (training): 450 kg/150 kg per weight horn
Maximum load capacity (storage): 100 kg each

Use class: S

NOTICE

This equipment is compatible with weight plates with a 50 mm hole and a maximum external diameter of 450 mm (not included in the scope of delivery).

1.2 Personal Safety

DANGER

- + Before you start using the equipment, you should consult your physician that this type of exercise is suitable for you from a health perspective. Particularly affected are persons who: have a hereditary disposition to high blood pressure or heart disease, are over the age of 45, smoke, have high cholesterol values, are overweight and/or have not exercised regularly in the past year. If you are under medical treatment that affects your heart rate, medical advice is absolutely essential.
- + Note that excessive training can seriously endanger your health. Please also note that heart rate monitoring systems can be inaccurate. If you notice any signs of weakness, nausea, dizziness, pain, shortness of breath, or other abnormal symptoms, stop exercising immediately and seek advice from your doctor if necessary.
- + The owner must communicate all warnings and instructions to the user.

WARNING

- + This equipment may not be used by children under the age of 14.
- + Children should not be allowed unsupervised access to the equipment.
- + Persons with disabilities must have a medical license and must be under strict observation when using the equipment.
- + The equipment is strictly for use by one person at a time.
- + Keep your hands, feet and other body parts, hair, clothing, jewellery and other objects well clear of moving parts.
- + During use, wear suitable sports clothing rather than loose or baggy clothing. When wearing sports shoes, make sure they have suitable soles, preferably made of rubber or other non-slip materials. Shoes with heels, leather soles, studs or spikes are unsuitable. Never exercise barefoot.
- + Always start each workout with a light warm-up and end with a cool-down phase.
- + Using the machine as a support during stretching exercises or attaching resistance bands, ropes or other accessories to it, may cause injuries.

CAUTION

- + If your equipment needs to be connected to the power supply with a mains cable, make sure that the cable is not a potential tripping hazard.
- + Make sure that nobody is within the range of motion of the equipment during training so as not to endanger you or other persons.
- + Be aware that if adjustment devices are left protruding, they may impede the user's movement.
- + The weights should remain in the user's field of vision during the entire exercise to prevent danger to third parties.

ATTENTION

- + Do not insert any objects of any kind into the openings of the device.

1.3 Set-Up Place

WARNING

- + Do not place the equipment in main corridors or escape routes.

CAUTION

- + Choose a location in which to place the equipment such that there is enough free space/clearance to the front, the rear and to the sides of the equipment.
- + The training room should be well ventilated during training and not be exposed to any draughts.
- + Choose the place in which to set up the equipment such that there is enough free space/clearance to the front, the rear and to the sides of the equipment.
- + The free area in the direction from which the exercise equipment is accessed must be at least 0.6 m larger than the exercise area.
- + The set-up and mounting surface of the equipment should be flat, loadable and solid.
- + If your device is to be mounted on the wall/ceiling, make sure that you use the appropriate assembly material to avoid possible damages or personal injuries. The contractual partner accepts no liability for this.

ATTENTION

- + The device may only be used in one building, in sufficiently tempered and dry rooms (ambient temperatures between 10°C and 35°C). The equipment should not be used outdoors or in rooms with high humidity (over 70%) like swimming pools.
- + A floor protective mat/equipment underlay can help to protect high-quality floor coverings (parquet, laminate, cork, carpets) from dents and sweat and can help to level out slight unevenness.
- + For Class S equipment, the exercise equipment may only be used in areas where access, supervision and control are specifically regulated by the owner.

2.1 General Instructions



DANGER

- + Do not leave any tools, packaging materials such as foils or small parts lying around, as otherwise there is a danger of suffocation for children. Keep children away from the equipment during assembly.



WARNING

- + Pay attention to the instructions attached to the equipment in order to reduce the risk of injuries.



CAUTION

- + Ensure to have sufficient room for movement in each direction during assembly.
- + The assembly of the equipment must be carried out by at least two adults. If in doubt, seek the help of a third technically skilled person.



ATTENTION

- + To prevent damage to the equipment and the floor, assemble the equipment on a mat or packaging board.



NOTICE

- + In order to make the assembly as simple as possible, some screws and nuts to be used can already be pre-assembled.
- + Ideally, assemble the equipment at its later set-up place.

2.2 Scope of Delivery

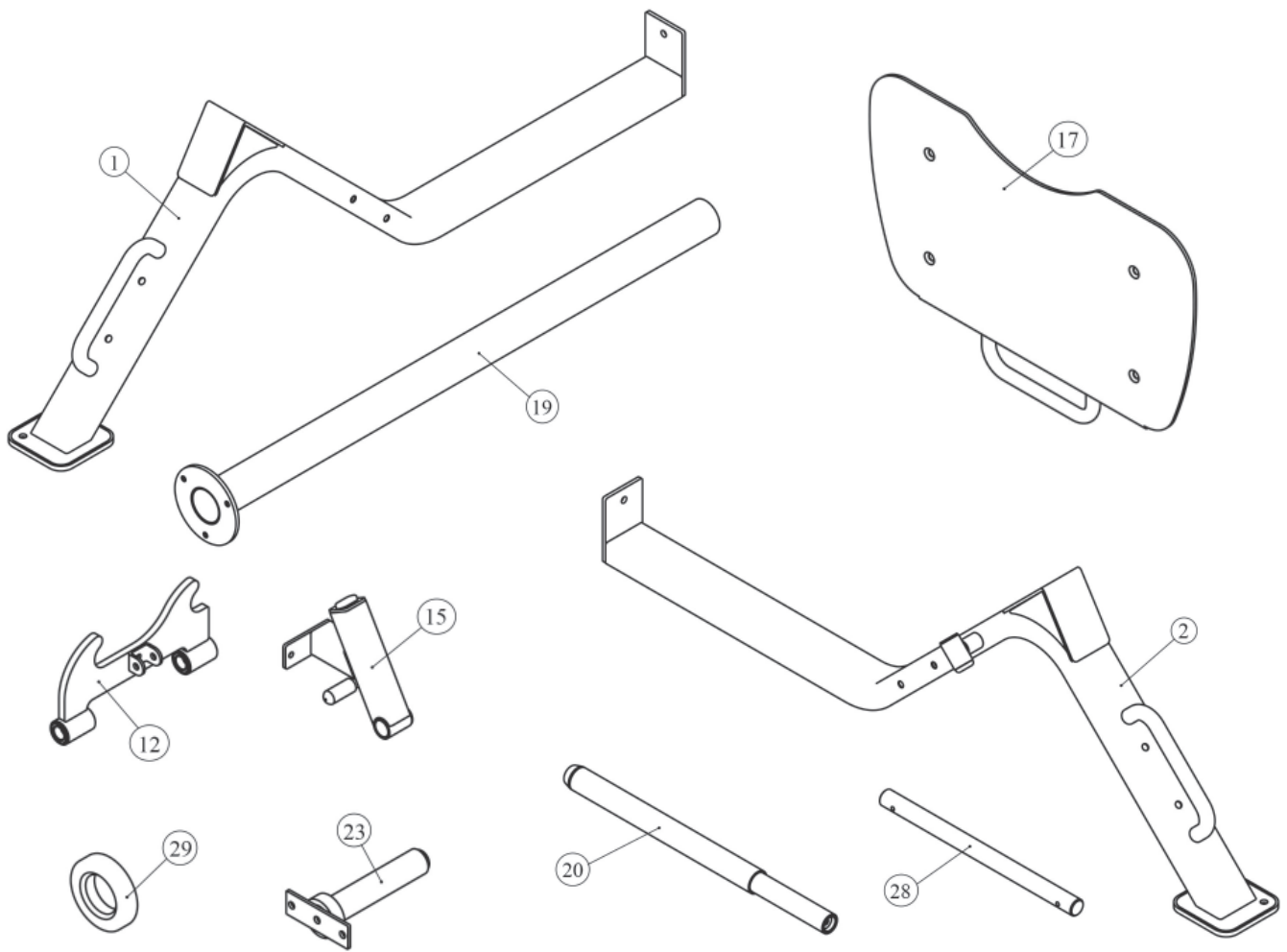
The scope of delivery consist of the following parts. At the beginning, check whether all parts and tools belonging to the device are included in the scope of delivery and whether damage has occurred. In the event of complaints, the contractual partner must be contacted directly.



CAUTION

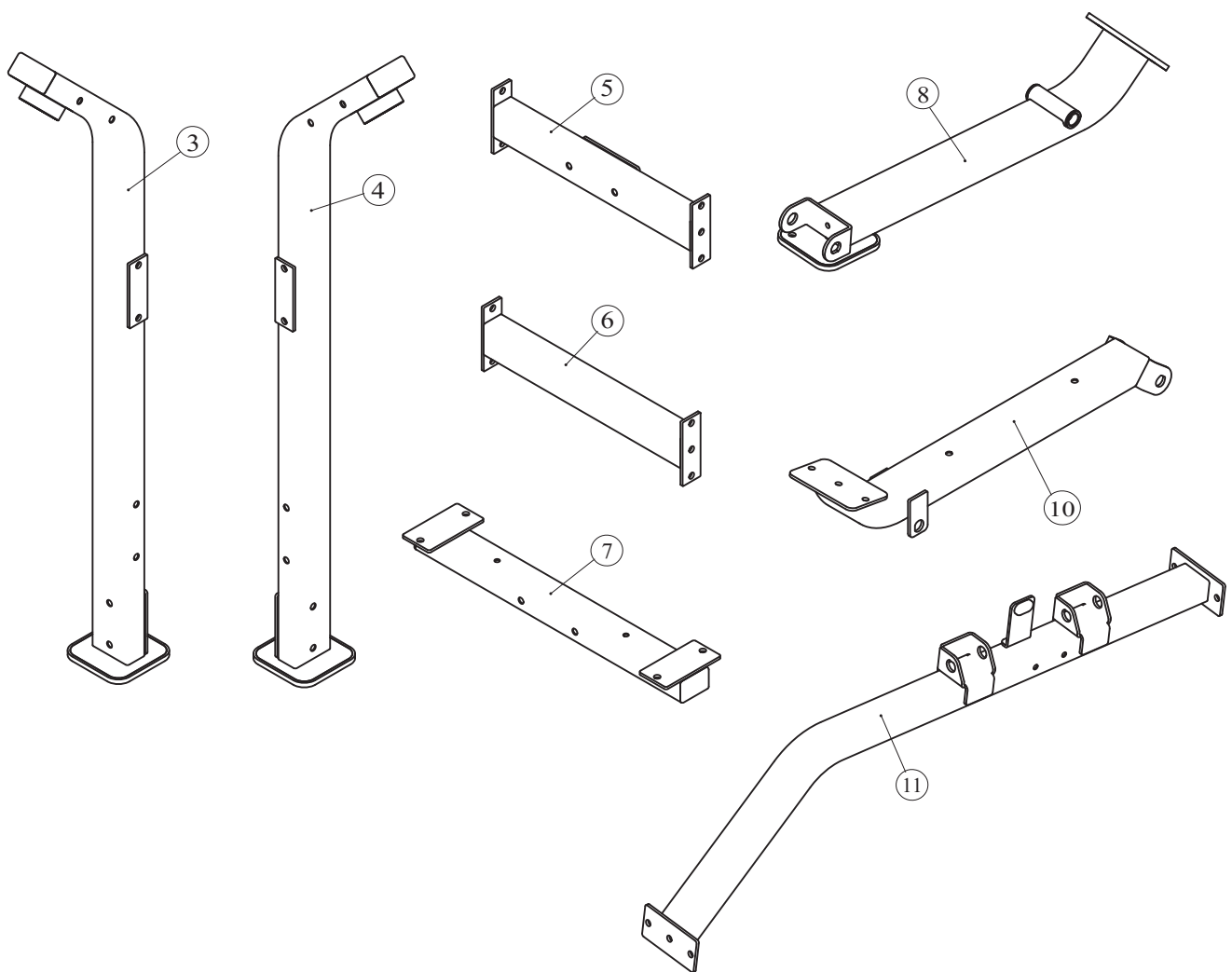
- If parts of the scope of delivery are missing or damaged, the assembly must not be carried out.

Content of Box 1



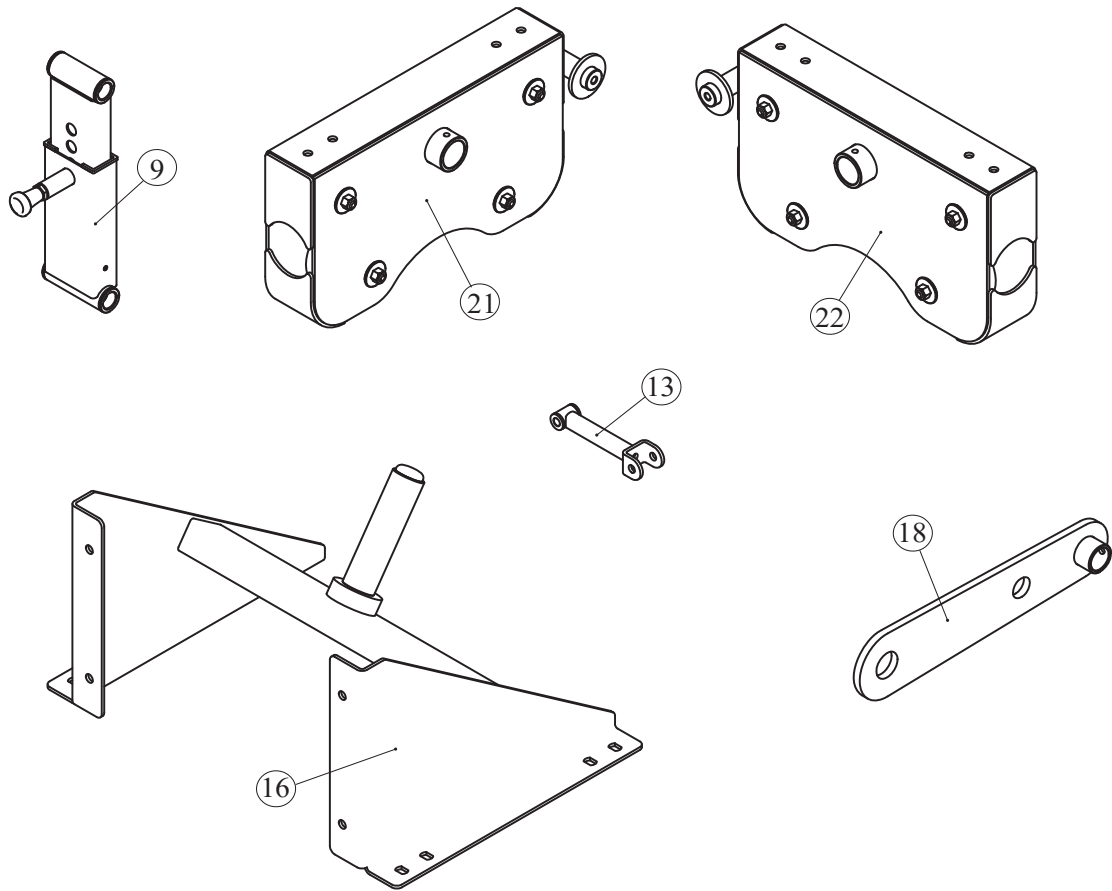
No.	Description	Qty.
1	Left Bottom Frame Assembly	1
2	Right Bottom Frame Assembly	1
12	Limit Tooth Assembly	1
15	Adjustable Connection Frame Assembly	1
17	Deck Pedal	1
19	Lead Rail	2
20	Weight Horn Assembly	2
23	Weight Plate Storage	4
28	Limit Shaft	1
29	Large Rubber Bumper	2

Content of Box 2



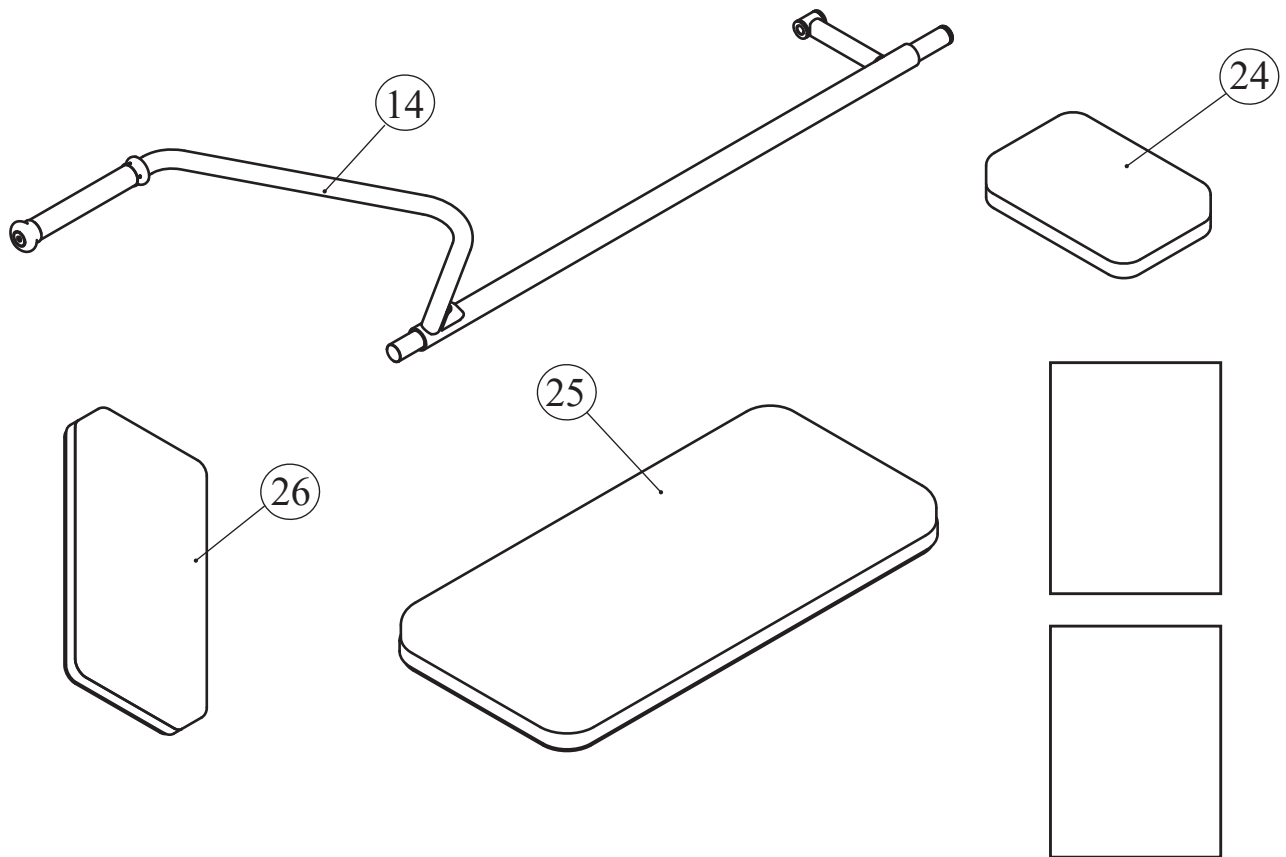
No.	Description	Qty.
3	Left Union Frame Assembly	1
4	Right Union Frame Assembly	1
5	Upper Beam Frame	2
6	Lower Beam Frame	1
7	Seat Pad Frame Assembly	1
8	Front Bottom Frame Assembly	1
10	Arm Pad Frame	1
11	Middle Connection Frame Assembly	1

Content of Box 3



No.	Description	Qty.
9	Swing Telescopic Frame Assembly	1
13	Link Frame Assembly	1
16	Footplate Frame Assembly	1
18	Extend Frame	2
21	Left Idler Wheel Frame Assembly	1
22	Right Idler Wheel Frame Assembly	1

Content of Box 4



No.	Description	Qty.
14	Adjustable Handle Frame Assembly	1
24	Head Pad	1
25	Arm Pad	1
26	Seat Pad	1
	Manual	1
	Hardware Pack	1

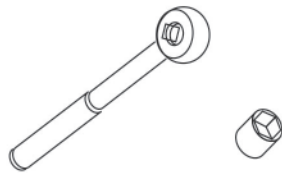
2.3 Assembly

Before assembly, take a close look at the individual assembly steps shown and carry out the assembly in the order given.

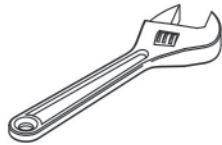
NOTICE

- + First loosely screw all parts together and check that they fit properly. Tighten the screws using the tool only when you are instructed to do so.
- + If you have difficulty recognising the graphics, we recommend that you open and/or download the PDF instructions stored in the webshop on your end device (e.g. smartphone, tablet or PC). There you have the option of zooming in closer. Please note that the Adobe Acrobat Reader programme must be installed on your end device in order to open the file.
- + For better readability, the addition "Assembly" to the name of some assembly components has been omitted in the assembly instructions. The addition refers to components that consist of more than one component but have been pre-assembled by factory. Please note that the addition is used in the parts lists and exploded drawings as it may be relevant for ordering spare parts.

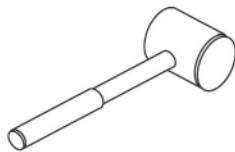
Required Tools



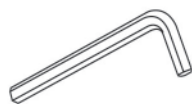
Ratchet Wrench and Socket



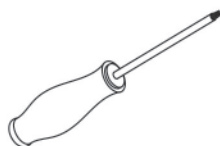
Adjustable Wrench



Rubber Mallet



Hex Key Wrench Set



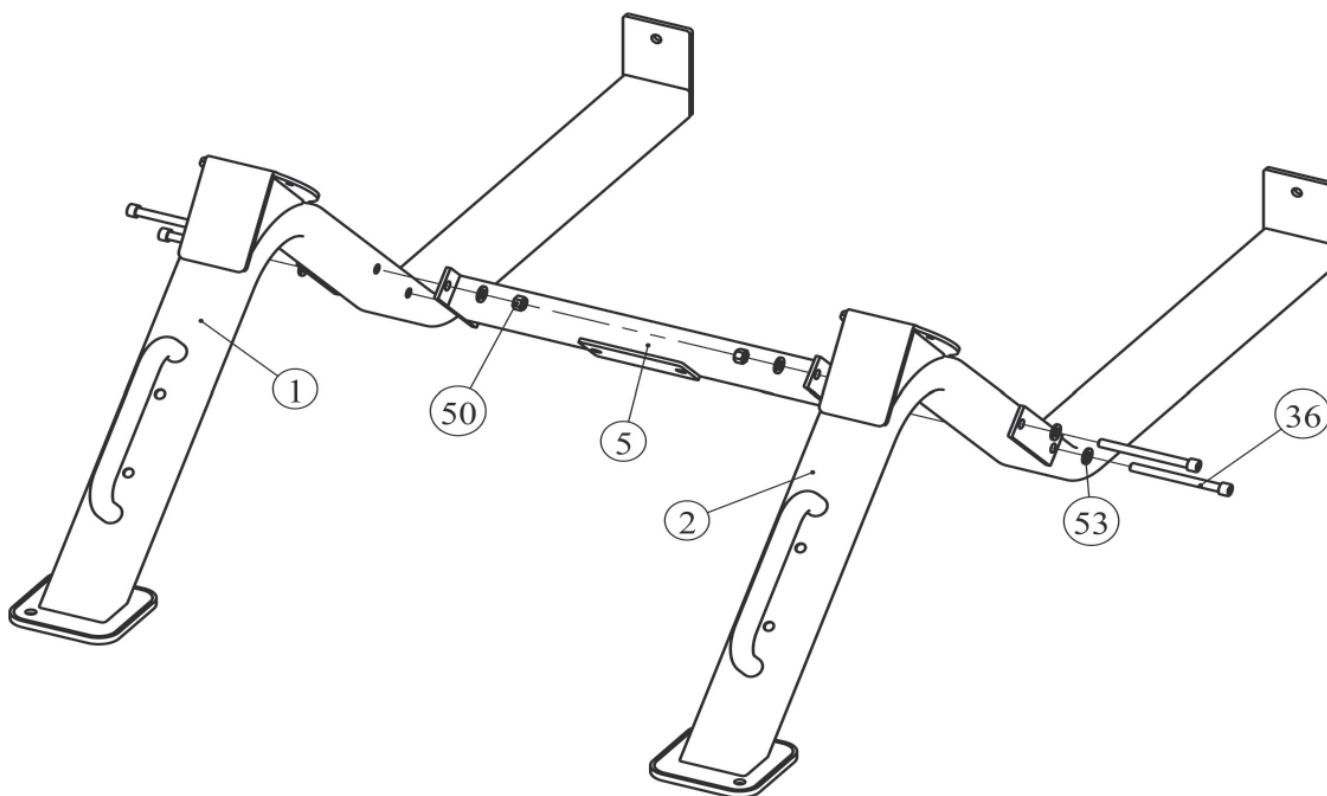
Phillips Screwdriver

Step 1: Assembly of the Bottom Frames and Upper Beam Frame

NOTICE

Do not tighten the screws and nuts completely yet. Leave room for adjustments.

Attach the upper beam frame (5) to the left and right bottom frames (1 & 2) with a total of four screws (36), eight flat washers (53) and four lock nuts (50).



Step 2: Assembly of the Lead Rails and Wheel Frames



CAUTION

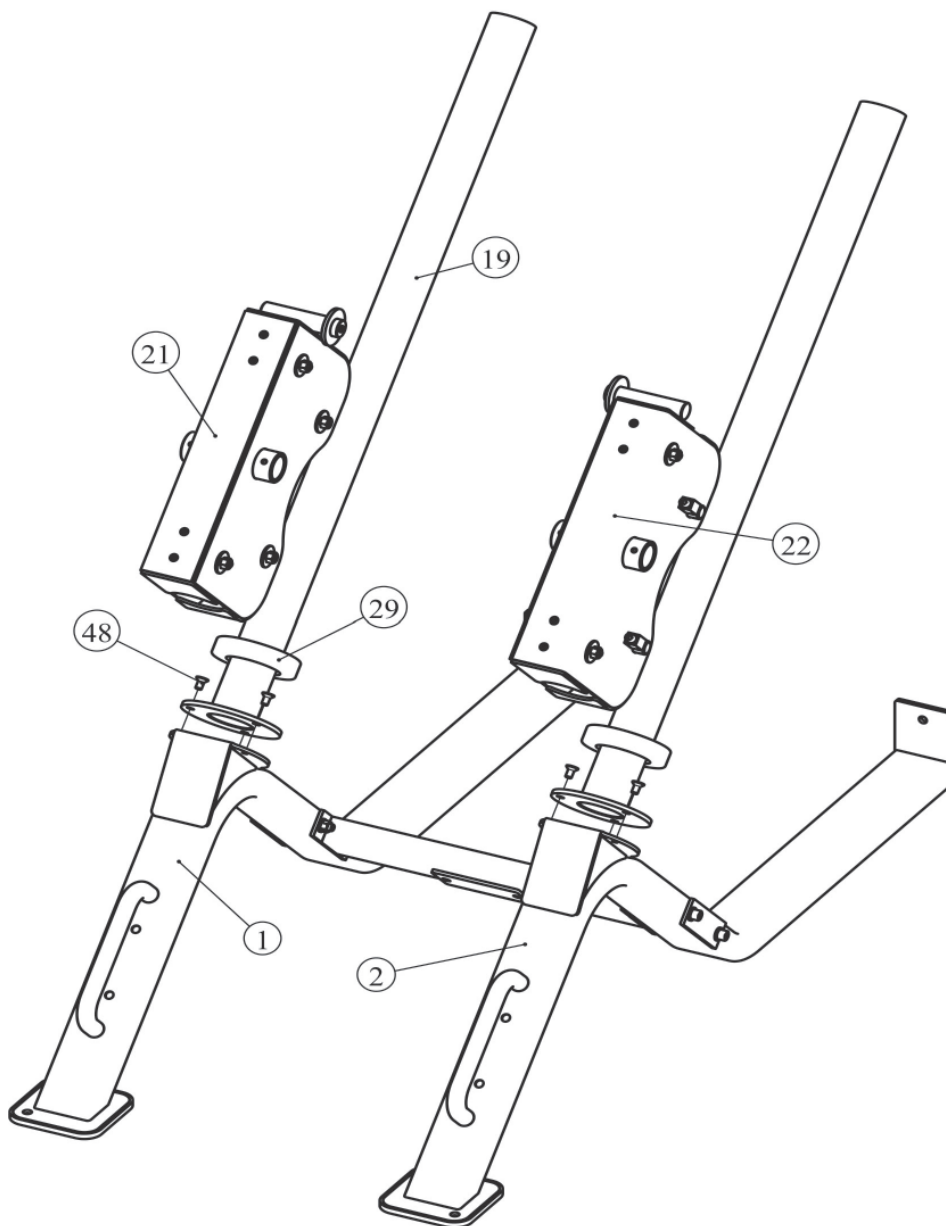
This assembly step must be carried out by at least two people.



NOTICE

Do not tighten the screws and nuts completely yet. Leave room for adjustments.

1. Attach one lead rail (19) to the left bottom frame (1) with three screws (48).
2. Attach one lead rail (19) to the right bottom frame (2) with three screws (48).
3. Slide one large rubber bumper (29) over each lead rail (19).
4. Carefully slide the left idler wheel frame (21) onto the left sided lead rail (19).
5. Carefully slide the right idler wheel frame (22) onto the right sided lead rail (19).

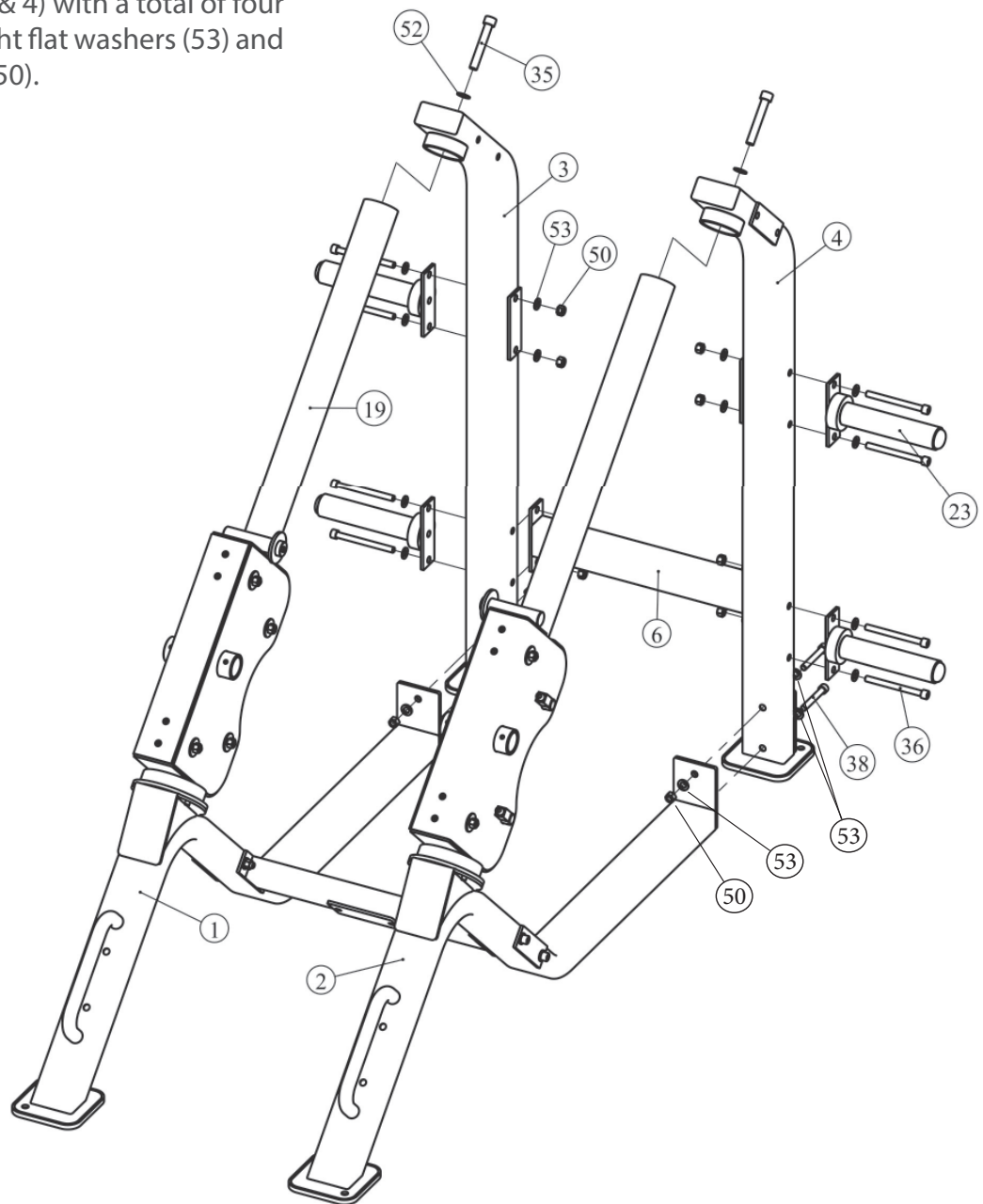


Step 3: Assembly of the Union Frames

NOTICE

Do not tighten the screws and nuts completely yet. Leave room for adjustments.

1. Attach the left union frame (3) to the left sided lead rail (19) with one screw (35) and one flat washer (52).
2. Attach the left union frame (3) to the left bottom frame (1) with two screws (38), three flat washers (53) and one lock nut (50).
3. Repeat the steps 1 and 2 with the right union frame (4).
4. Attach the lower beam frame (6) together with two weight plate storages (23) to the left and right union frame (3 & 4) with a total of four screws (36), eight flat washers (53) and four lock nuts (50).
5. Attach another two weight plate storages (23) to the left and right union frame (3 & 4) with a total of four screws (36), eight flat washers (53) and four lock nuts (50).



Step 4: Assembly of the Middle Connection Frame

NOTICE

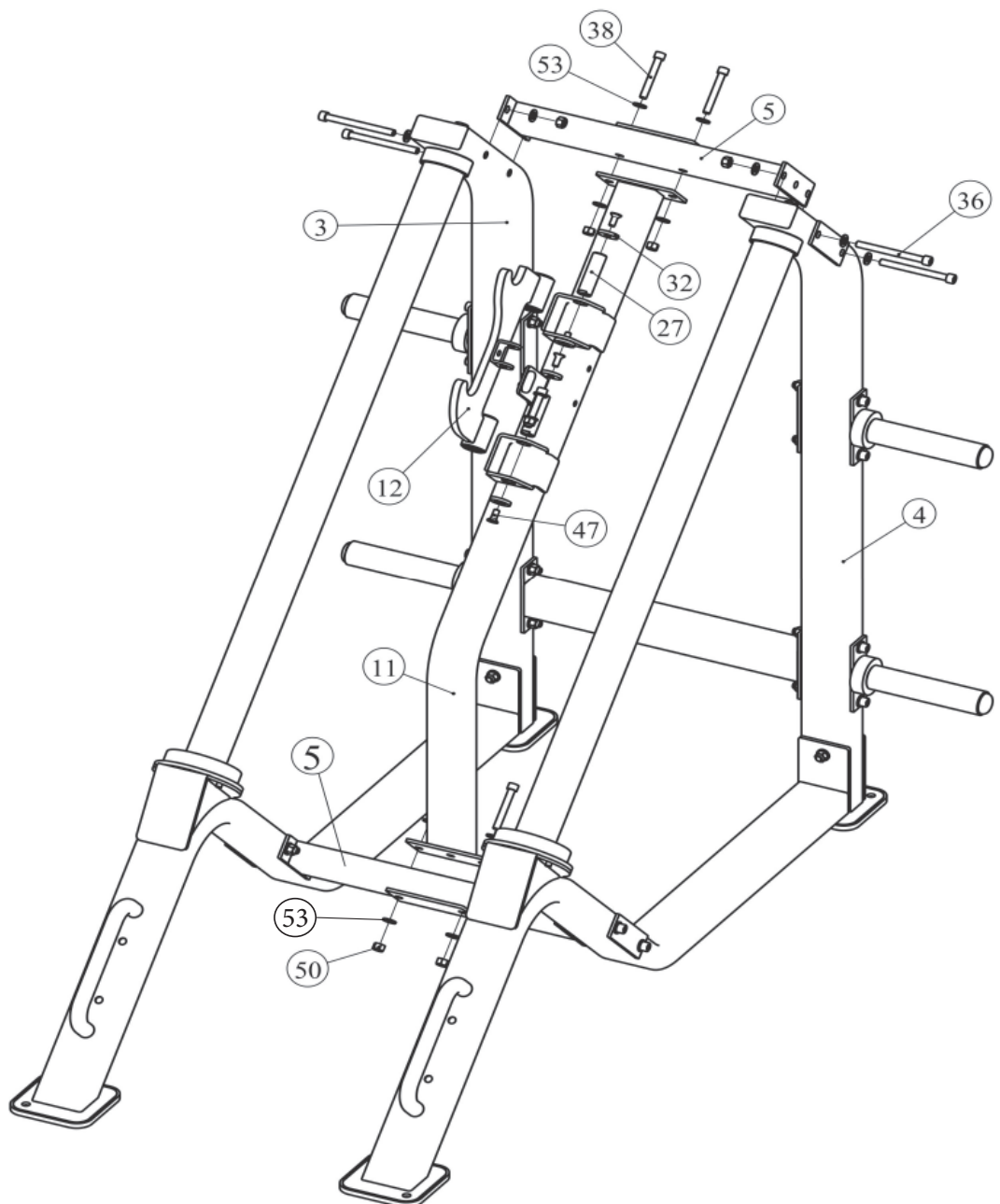
Do not tighten the screws and nuts completely yet. Leave room for adjustments.

1. Attach the lower part of the middle connection frame (11) to the upper beam frame (5) with two screws (38), four flat washers (53) and two lock nuts (50).
2. Attach the upper part of the middle connection frame (11) to another upper beam frame (5) with two screws (38), four flat washers (53) and two lock nuts (50).
3. Attach the upper beam frame (5) to the left and right union frame (3 & 4) with a total of four screws (36), eight flat washers (53) and four lock nuts (50).

CAUTION

This assembly step must be carried out by at least two people.

4. Attach the limit tooth (12) to the middle connection frame (11) with two short pivot shafts (27), four end caps (32) and four screws (47).

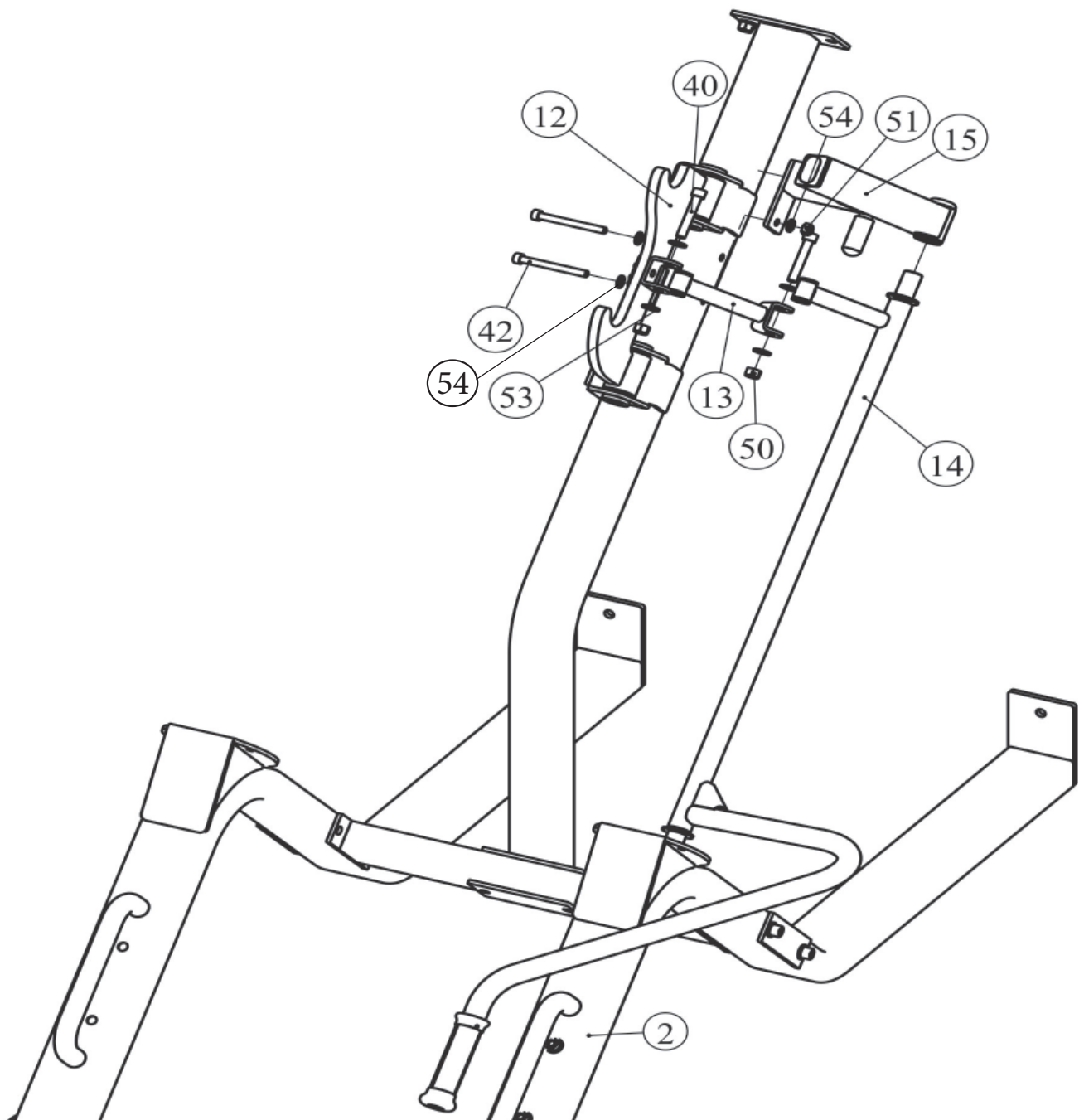


Step 5: Assembly of Adjustable Handle Frame and Adjustable Connection Frame

ⓘ NOTICE

Do not tighten the screws and nuts completely yet. Leave room for adjustments.

1. First attach the adjustable handle frame (14) to the right bottom frame (2).
2. Then attach the adjustable connection frame (15) to the adjustable handle frame (14).
3. Secure the adjustable connection frame (15) to the middle connection frame (11) with two screws (42), three flat washers (54) and one lock nut (51).
4. Attach the link frame (13) to the limit tooth (12) and the adjustable handle frame (14) with two screws (40), four flat washers (53) and two lock nuts (50).

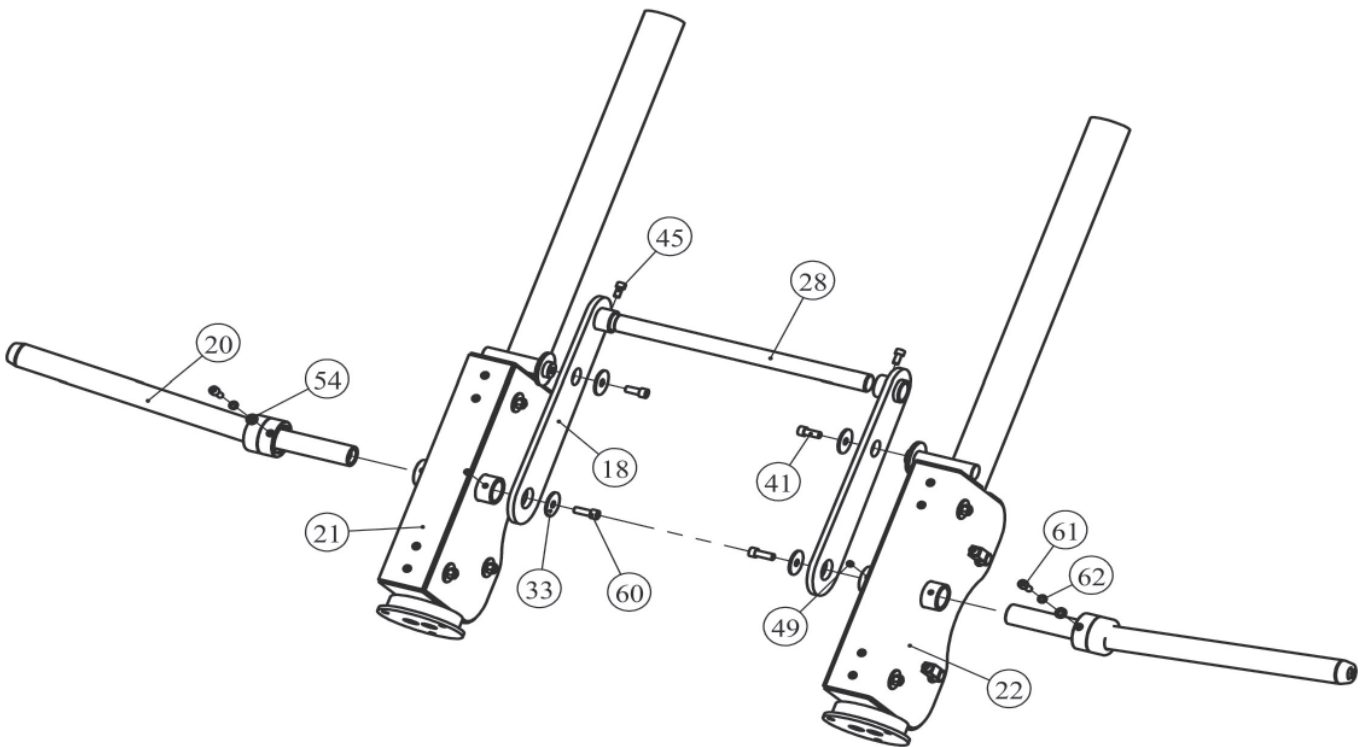


Step 6: Assembly of the Weight Horns and Extend Frames

ⓘ NOTICE

- + Do not tighten the screws and nuts completely yet. Leave room for adjustments.
- + Any pre-installed set screws might need to be loosened first.

1. Attach two weight horns (20) to the left and right idler wheel frame (21 & 22) with one set screw (49), one screw (61), one split lock washer (62) and one flat washer (54) each.
2. Attach two extend frames (18) to the left and right idler wheel frame (21 & 22) with one screw (41), one screw (60) and two flat washers (33) each.
3. Attach the limit shaft (28) to the extend frames (18) with two screws (45).
4. Tighten the screws from this assembly step.

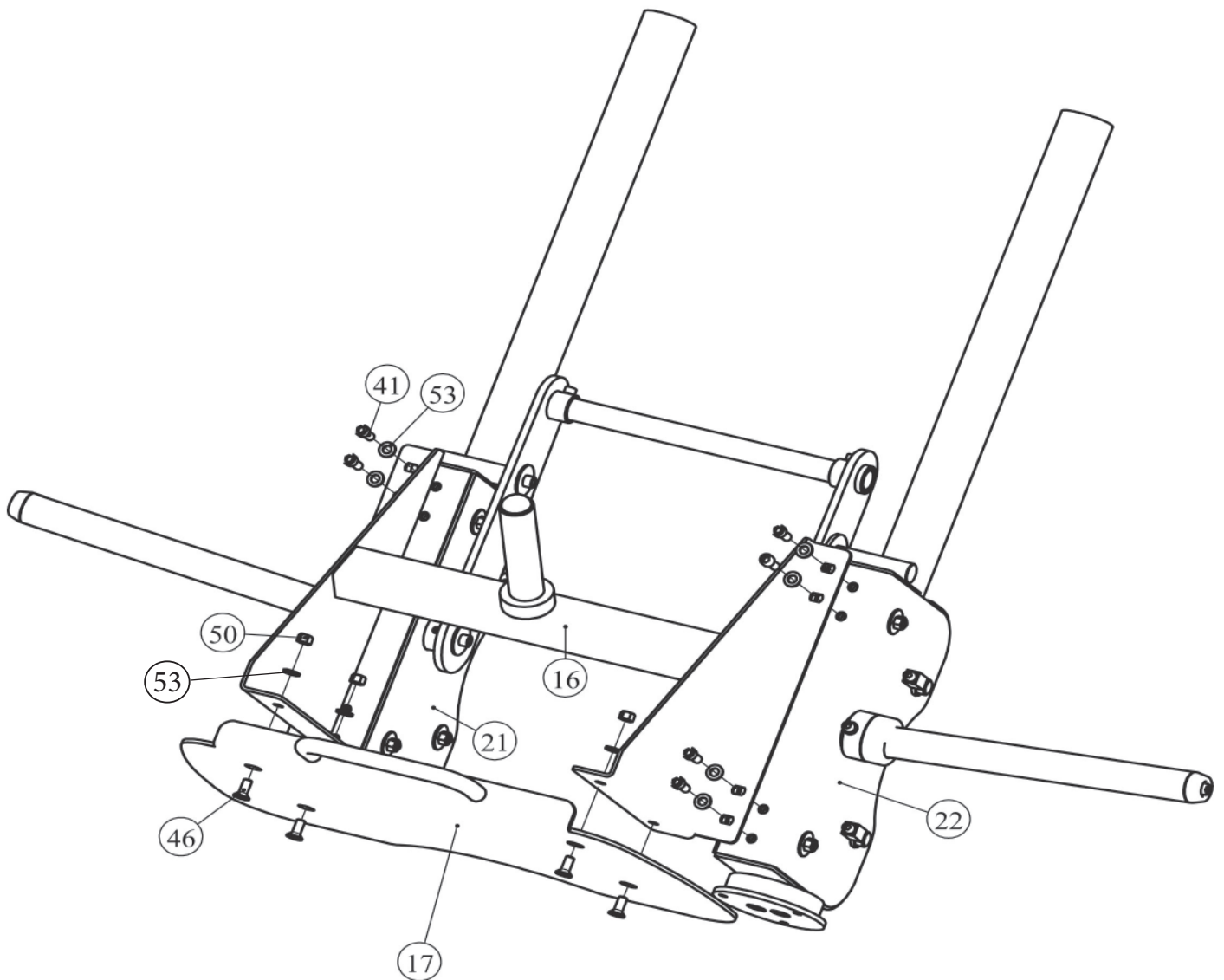


Step 7: Assembly of the Footplate Frame and the Deck Pedal

ⓘ NOTICE

Do not tighten the screws and nuts completely yet. Leave room for adjustments.

1. Attach the footplate frame (16) to the left and right idler wheel frame (21 & 22) with a total of eight screws (41) and eight flat washers (53).
2. Attach the deck pedal (17) to the footplate frame (16) with four screws (46), four flat washers (53) and four lock nuts (50).

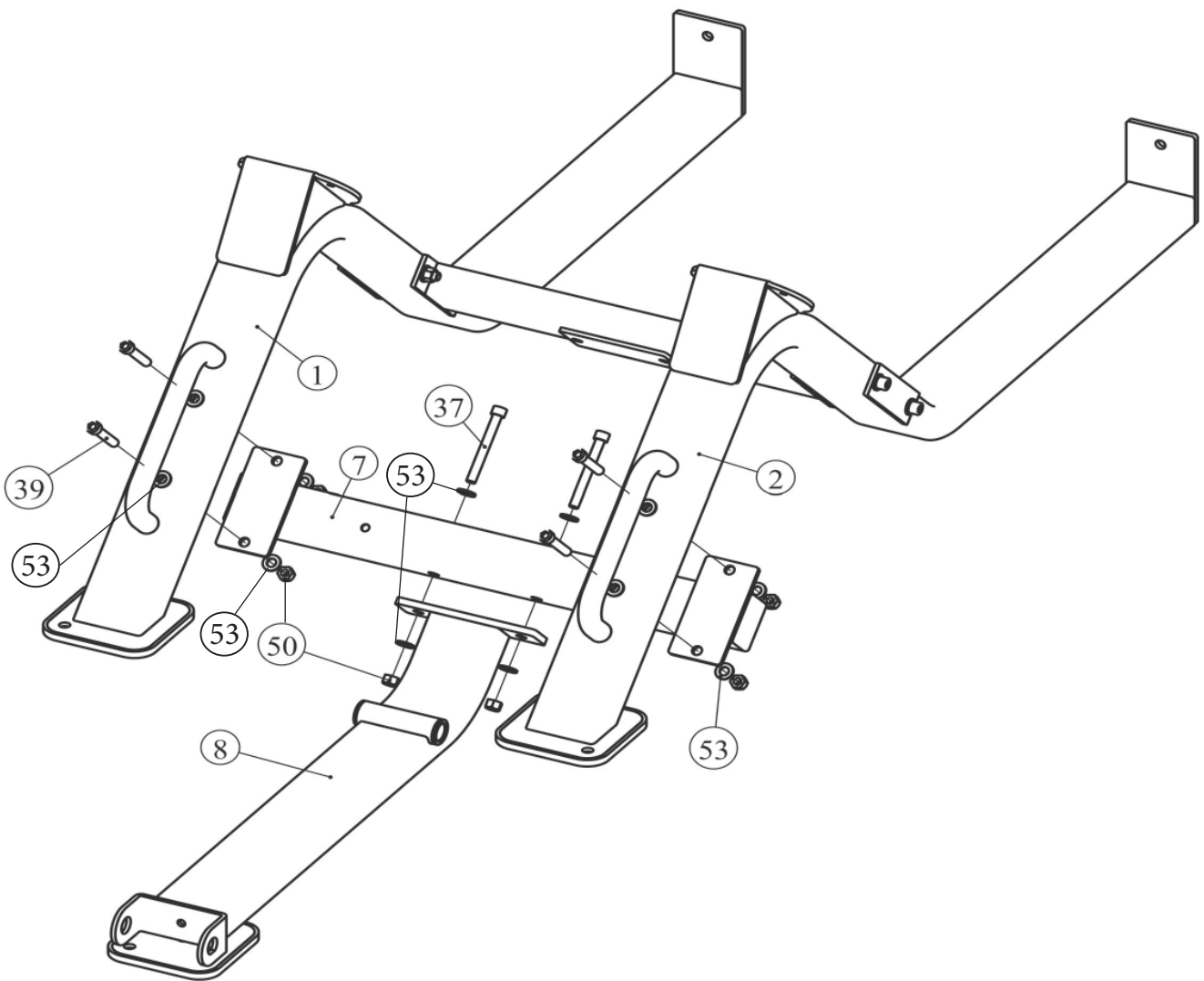


Step 8: Assembly of the Seat Pad Frame and Front Bottom Frame

ⓘ NOTICE

Do not tighten the screws and nuts completely yet. Leave room for adjustments.

1. Attach the seat pad frame (7) to the left and right bottom frames (1 & 2) with a total of four screws (39), eight flat washers (53) and four lock nuts (50).
2. Attach the front bottom frame (8) to the seat pad frame (7) with two screws (37), four flat washers (53) and two lock nuts (50).

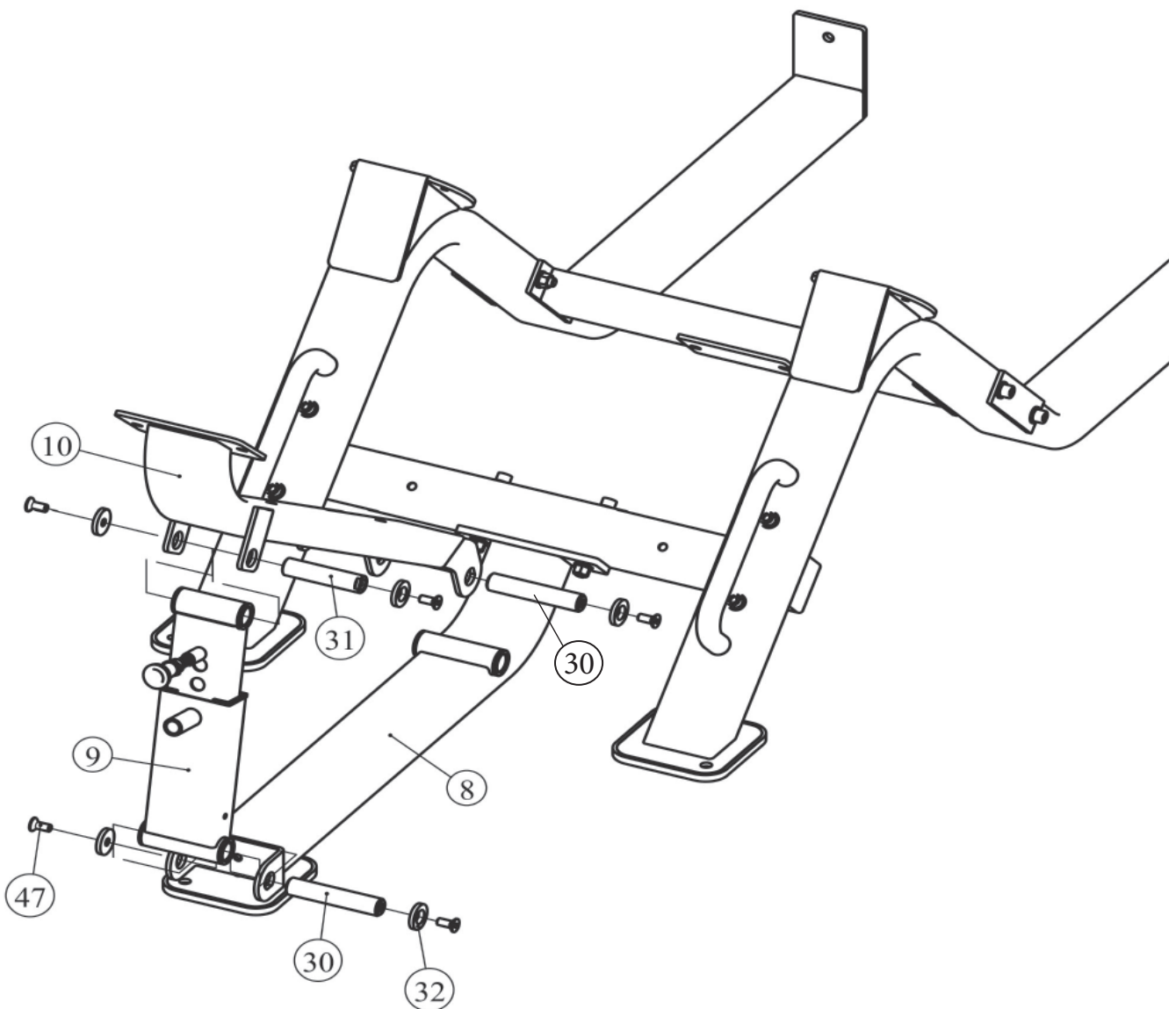


Step 9: Assembly of the Swing Telescopic Frame and Arm Pad Frame

NOTICE

Do not tighten the screws and nuts completely yet. Leave room for adjustments.

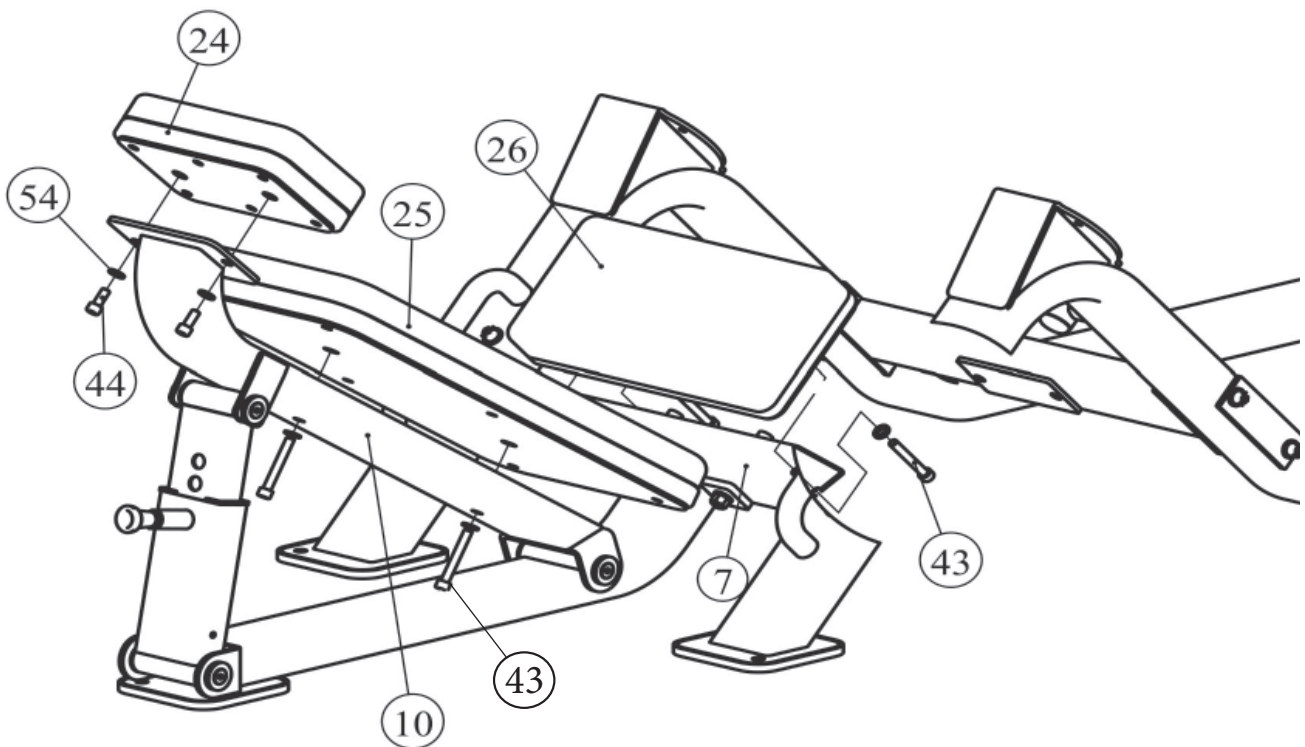
1. Attach the swing telescopic frame (9) to the front bottom frame (8) with one pivot shaft (30), two end caps (32) and two screws (47).
2. Attach the arm pad frame (10) to the front bottom frame (8) with one pivot shaft (30), two end caps (32) and two screws (47).
3. Attach the arm pad frame (10) to the swing telescopic frame (9) with one fixed shaft (31), two end caps (32) and two screws (47).



Step 10: Assembly of the Pads

1. Attach the seat pad (26) to the seat pad frame (7) with two screws (43) and two flat washers (54).
2. Attach the arm pad (25) to the arm pad frame (10) with two screws (43) and two flat washers (54).
3. Attach the head pad (24) to the arm pad frame (10) with two screws (44) and two flat washers (54).
4. Tighten all screws and nuts from the entire assembly with the appropriate tools.

→ *The assembly is completed.*



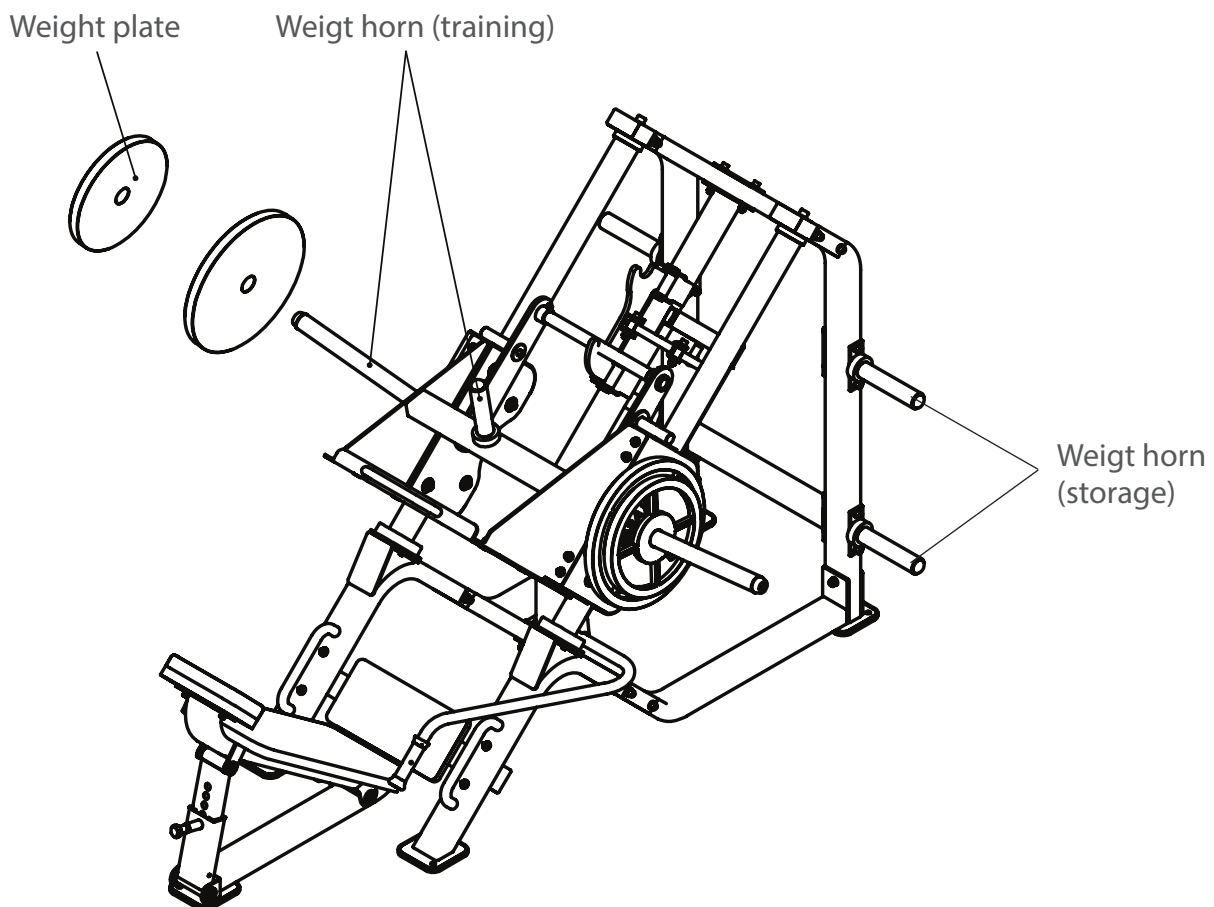
Load and Unload Weight Plates

⚠ CAUTION

- + Make sure to always use some sort of weight collar when exercising with external weights.
- + Never store unused weight plates on the floor.
- + Store unused weight plates on a weight rack or on the integrated storage options.

▶ ATTENTION

- + The weight horn is compatible with 50 mm weight plates with a maximum external diameter of 450 mm.
 - + Weight plates and weight collars are not included in the scope of delivery.
 - + Do not load more than 150 kg on each weight horn (training).
 - + Do not load more than 100 kg on each weight horn (storage).
1. To load the weight horn, carefully grab one weight plate at a time with both hands.
 2. Slide each weight plate onto the weight horn one by one until you have reached your desired training weight.
 3. Attach a weight collar to secure the weight plates from sliding off.
 4. To unload the weight horn, take off the weight collar.
 5. Slide each weight plate off of the weight horn with both hands one by one.

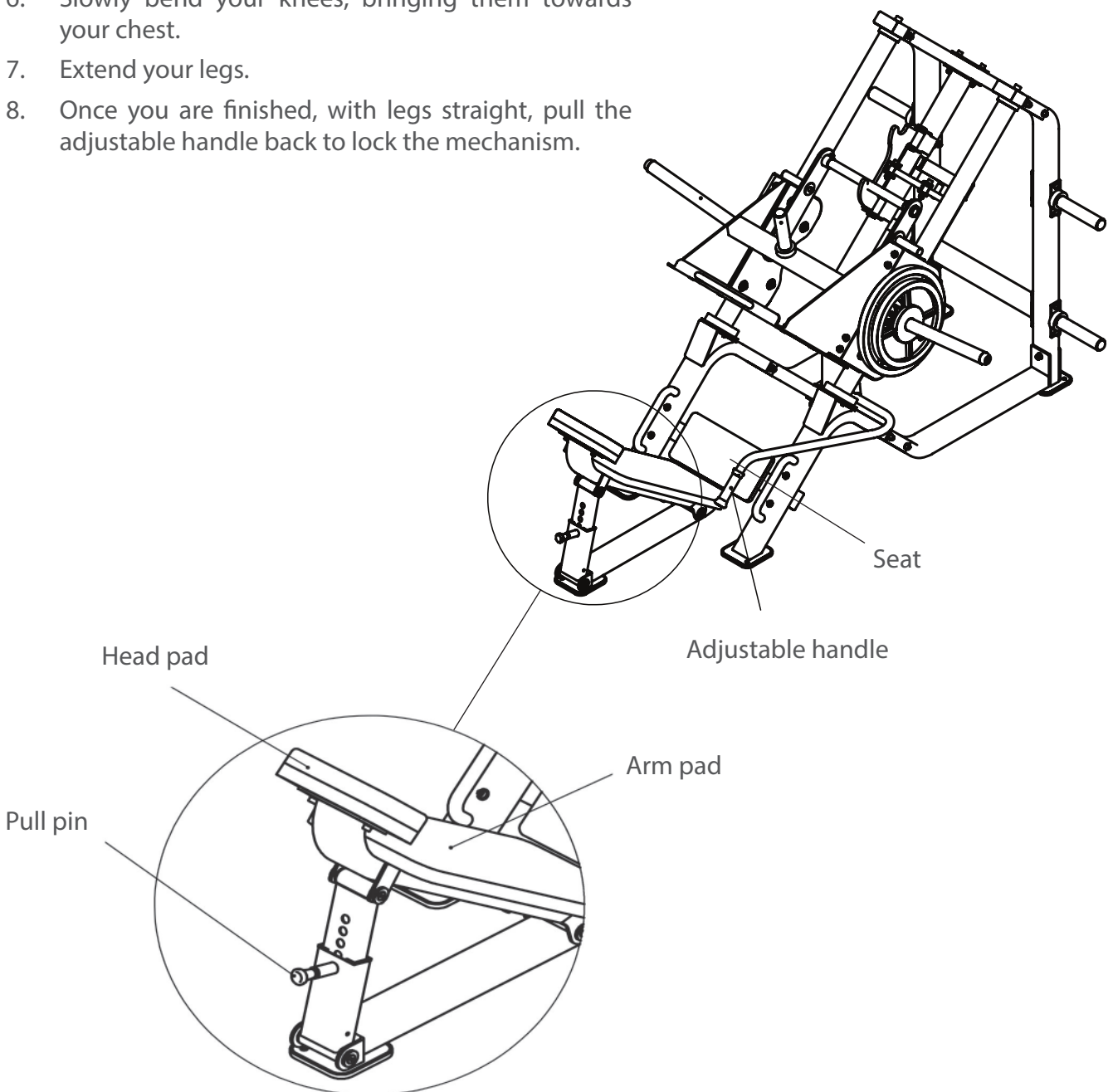


Pad Adjustment

1. Pull the pull pin and adjust the pads to the desired position.
2. Release the pull pin and make sure it engages in one of the adjustment holes.

Exercise Instructions

1. Select an appropriate weight.
2. Adjust the head pad and arm pad.
3. Sit down on the seat pad with the back resting against the back pad.
4. Place your feet on the footplate.
5. Push the footplate forward until the legs are almost straight and then pull the adjustable handle to the right to unlock the mechanism.
6. Slowly bend your knees, bringing them towards your chest.
7. Extend your legs.
8. Once you are finished, with legs straight, pull the adjustable handle back to lock the mechanism.



3.1 General Instructions

**WARNING**

- + The storage location should be chosen so that improper use by third parties or children can be prevented.
- + If your equipment does not have transportation wheels, the equipment must be disassembled before transportation.

**ATTENTION**

- + Make sure that the equipment is protected from moisture, dust and dirt in the selected storage location. The storage location should be dry and well ventilated and have a constant ambient temperature between 10°C and 35°C.

4.1 General Instructions



WARNING

- + Do not make any improper changes to the equipment.



CAUTION

- + Damaged or worn components may affect your safety and the life of the equipment. Therefore, immediately replace damaged or worn components. In such a case, contact the contract partner. The equipment must not be used until it has been repaired. If necessary, use only original spare parts.

▶ ATTENTION

- + In addition to the instructions and recommendations for maintenance and care given here, additional service and/or repair work may be necessary; this must only be carried out by authorised service technicians.

4.2 Faults and Fault Diagnosis

The equipment undergoes regular quality controls during production. Nevertheless, faults or malfunctions may occur. Frequently, individual parts are responsible for these disturbances, an exchange is usually sufficient. Please refer to the following overview for the most common errors and how to correct them. If the equipment still does not function properly, contact your contract partner.

Fault	Cause	Solution
Squeaking & cracking noises	Screw connections loosened or too tight	+ Check or lubricate screw connections*
Unit wobbles	+ Uneven ground + Loose screw connections	+ Align unit + Tighten screw connections

* With a grease-free silicone oil or silicone spray.

4.3 Maintenance and Inspection Calendar

To avoid damage from body sweat, the equipment must be cleaned with a damp towel (no solvents!) after each training session.

The following routine tasks must be performed at the specified intervals:

Part	Weekly	Monthly	Quarterly
Screw connections		I	
Cushions	C		
Legend: C = clean; I = inspect			

5 DISPOSAL

At the end of its operational life, this equipment cannot be disposed of in normal household waste. Instead, it must be disposed of via an recycling centre. Further information can be obtained from your local authority's recycling service.



The materials can be recycled as per their symbols. Through the reuse, recycling of materials or other forms of recovery of old equipment, you make an important contribution to the protection of the environment.

6 RECOMMENDED ACCESSORIES

To make your training experience even more efficient and pleasant, we recommend that you add suiting accessories to your fitness equipment. For training equipment like smith machines, weight benches or racks this could for example be a **floor mat**, which makes your fitness equipment stand more securely and also protects the floor from sweat but it could be also **additional weights, handles, foot straps** for leg exercises or **triceps ropes**. For some smith machines, there are also optional add-ons such as **leg presses** that make your workout even more intense and comprehensive.

Our range of accessories offers the highest quality and makes training even better. If you would like to find out more about compatible accessories, please go to the detail page of the product in our webshop (the easiest way is to enter the article number in the search field above) and go to the recommended accessories on this page. Alternatively, you can use the QR-code provided. Of course, you can also contact our customer service: by telephone, e-mail, in one of our branches or via our social media channels. We will be happy to advise you!



floor mat



chest strap



weight block extension



triceps rope

7.1 Serial Number and Model Name

In order to provide you with the best possible service, please have the model name, article number, serial number, exploded drawing and parts list ready. The corresponding contact options can be found in chapter 9 of this operating manual.

NOTICE

The serial number of your equipment is unique. It's located on a white sticker.

Enter the serial number in the appropriate field.

Serial number:

Brand / Category:

Model Name:

Article Number:

7.2 Parts List

Overall

Item no.	Supplier parts no.	Description	Specification	Qty.
1	SL702001ASSY	Left Bottom Frame Assembly		1
2	SL702002ASSY	Right Bottom Frame Assembly		1
3	SL702003ASSY	Left Union Frame Assembly		1
4	SL702004ASSY	Right Union Frame Assembly		1
5	SL70200500	Upper Beam Frame		2
6	SL70200600	Lower Beam Frame		1
7	SL702007ASSY	Seat Pad Frame Assembly		1
8	SL702008ASSY	Front Bottom Frame Assembly		1
9	SL702006ASSY	Swing Telescopic Frame Assembly		1
10	SL70201100	Arm Pad Frame		1
11	SL702013ASSY	Middle Connection Frame Assembly		1
12	SL702014ASSY	Limit Tooth Assembly		1
13	SL702015ASSY	Link Frame Assembly		1
14	SL702016ASSY	Adjustable Handle Frame Assembly		1
15	SL702017ASSY	Adjustable Connection Frame Asserrbly		1
16	SL702018ASSY	Footplate Frame Assembly		1
17	SL70201900	Deck Pedal		1
18	SL70202000	Extend Frame		2
19	SL702021ASSY	Lead Rail Assembly		2
20	SL702022ASSY	Weight Horn Assembly		2
21	SL702023ASSY	Left Idler Wheel Frame Assembly		1
22	SL702024ASSY	Right Idler Wheel Frame Assembly		1
23	SL702025ASSY	Weight Plate Storage		4
24	SL70203300	Head Pad	275*180*70	1
25	SL70203400	Arm Pad	720*340*70	1
26	SL70203500	Seat Pad	415*205*70	1

27	SL70202900	Short Pivot Shaft	φ25.4*87	2
28	SL70203000	Limit Shaft φ35	φ35*519	1
29	SL70203100V1	Large Rubber Bumper	φ140*φ76.5*30	2
30	SL70171000	Pivot Shaftφ 25.4	φ25.4*131	2
31	IF81061400	Fixed Shaftφ25.4	φ25.4*109	1
32	IF81212000	End Cap	φ38*6	10
33	ROC-IT4022200	Flat Washer φ 50.8*φ13.5*3	φ50.8*φ13.5*3	4
35	GB70M16*100DHS20	Socket Head Cap Screw M16*100	M16*100(8.8 degree,S=12)	2
36	GB70M12*135DHS20	Socket Head Cap Screw M12*135	M12*135(8.8 degree)	16
37	GB70M12*105DHS20	Socket Head Cap Screw M12*106	M12*105(8.8 degree)	2
38	GB70M12*85DHS20	Socket Head Cap Screw M12*85	M12*85(8.8 degree)	8
39	GB70M12*75DHS20	Socket Head Cap Screw M12*75	M12*75(8.8 degree)	4
40	GB70M12*70DHS20	Socket Head Cap Screw M12*70	M12*70(8.8 degree)	2
41	GB70M12*30DHS20	Socket Head Cap Screw M12*30	M12*30(8.8 degree)	10
42	GB70M10*100DHS20	Socket Head Cap Screw M10*100	M10*100(8.8 degree)	2
43	GB70M10*75DHS20	Socket Head Cap Screw M1 0*75	M10*75(8.8 degree)	4
44	GB70M10*25DHS20NL	Socket Head Cap Screw M1 0*25	M10*25(8.8 degree)	2
45	GB70M10*20DHS20NL	Socket Head Cap Screw M1 0*20	M10*20(8.8 degree)	2
46	CNLM12*30DHS20	Flat Head Cap Screw M 12*30	M12*30(8.8 degree)	4
47	CNLM10*25DS20NL	Flat Head Cap Screw M 10*25	M10*25(8.8 degree)	10
48	CNLM10*20DS20NL	Flat Head Cap Screw M 10*20	M10*20(8.8 degree)	6
49	GB77M10*8DS18	Socket Set ScrewM 10*8	M10*8(10.9 degree)	2
50	NM12DHS2	Nylon Lock Nut M 12	M12	34

51	NM10DHS2	Nylon Lock Nut M 10	M10	1
52	YDQ16.5*28*2DHS2	Flat Washer ϕ 28* ϕ 16.5*2	ϕ 28* ϕ 16.5*2	2
53	GB9512DHS2	Flat Washer ϕ 13* ϕ 24*2.5	ϕ 13* ϕ 24*2.5	74
54	GB9510DHS2	Flat Washer ϕ 11* ϕ 20*2	ϕ 11* ϕ 20*2	11
55	NBS6DHS	Hex KeyS=6	S=6	1
56	NBS8DHS	Hex KeyS=8	S=8	1
57	NBS10DHS	Hex KeyS=10	S=10	1
58	NBS12DHS	Hex KeyS=12	S=12	1
59	NBS5DHS	Hex KeyS=5	S=5	1
60	GB70M12*35DHS20	Socket Head Cap Screw M12*35	M12*35(8.8 degree)	2
61	GB70M10*30DHS20	Socket Head Cap Screw M10*30	M10*30(8.8 degree)	2
62	GB9310DHS12	Split Lock Washer ϕ 10	ϕ 10	2

Left Bottom Frame Assembly (1)

Item no.	Supplier parts no.	Description	Specification	Qty.
1.1	SL70200100	Left Bottom Frame		1
1.2	SL702012ASSY	Handle ASSY		1
1.2.1	SL70201200	Handle		1
1.2.2	IT90032900	Put gloves	ST ϕ 30* ϕ 22*355	1
1.3	CWRVL0051200	Rubber Foot	159.5*159.5*11	1
1.4	GB70M10*25DHS20NL	Socket Head Cap Screw M10*25	M10*25(8.8 degree)	2
1.5	GB9510DHS2	Flat Washer ϕ 11* ϕ 20*2	ϕ 11* ϕ 20*2	2

Right Bottom Frame Assembly (2)

Item no.	Supplier parts no.	Description	Specification	Qty.
2.1	SL70200200	Right Bottom Frame		1
2.2	SL702012ASSY	Handle ASSY		1
2.2.1	SL70201200	Handle		1
2.2.2	IT90032900	Put gloves	ST ϕ 30* ϕ 22*355	1
2.3	MFT-7003100	Copper Bearing ϕ 25.8	ϕ 38* ϕ 25.8*18	1
2.4	CWRVL0051200	Rubber Foot	159.5*159.5*11	1

2.5	HF443D0300	Plug	φ38	1
2.6	GB70M10*25DHS20NL	Socket Head Cap Screw M10*25	M10*25(8.8 degree)	2
2.7	GB9510DHS2	Flat Washer φ11*φ20*2	φ11*φ20*2	2

Left Union Frame Assembly (3)

Item no.	Supplier parts no.	Description	Specification	Qty.
3.1	SL70200300	Left Union Frame		1
3.2	V511200	Plug 50*100	50*100	1
3.3	CWRVL0051200	Rubber Foot	159.5*159.5*11	1

Right Union Frame Assembly (4)

Item no.	Supplier parts no.	Description	Specification	Qty.
4.1	SL70200400	Right Union Frame		1
4.2	V511200	Plug 50*100	50*100	1
4.3	CWRVL0051200	Rubber Foot	159.5*159.5*11	1

Seat Pad Frame Assembly (7)

Item no.	Supplier parts no.	Description	Specification	Qty.
7.1	SL70200700	Seat Pad Frame		1
7.2	BNH0052	Plug 76.2*50.8	76.2*50.8	2

Front Bottom Frame Assembly (8)

Item no.	Supplier parts no.	Description	Specification	Qty.
8.1	SL70200800	Front Bottom Frame		1
8.2	M02502000	Copper Bearing φ25.4	φ38*φ25.4*18	2
8.3	CWRVL0051200	Rubber Foot	159.5*159.5*11	1

Swing Telescopic Frame Assembly (9)

Item no.	Supplier parts no.	Description	Specification	Qty.
9.1	SL702009ASSY	Swing Frame ASSY		1
9.2	SL702010ASSY	Flex Frame ASSY		1
9.3	GB70M8*25DHS20	Socket Head Cap Screw M8*25	M8*25(8.8 degree)	1

Swing Frame Assembly (9.1)

Item no.	Supplier parts no.	Description	Specification	Qty.
9.1.1	SL70200900	Swing Frame		1
9.1.2	SL70203200	Long Bolt ASSY		1
9.1.3	M02502000	Copper Bearing ϕ 25.4	ϕ 38* ϕ 25.4*18	2
9.1.4	HF1651600A	Long Half Set	50*38	2

Flex Frame Assembly (9.2)

Item no.	Supplier parts no.	Description	Specification	Qty.
9.2.1	SL70201000	Flex Frame		1
9.2.2	M02502000	Copper Bearing ϕ 25.4	ϕ 38* ϕ 25.4*18	2

Middle Connection Frame Assembly (11)

Item no.	Supplier parts no.	Description	Specification	Qty.
11.1	SL70201300	Middle Connection Frame		1
11.2	BG10004600V1	Double elliptic buffer	44.5*25*8	1

Limit Tooth Assembly (12)

Item no.	Supplier parts no.	Description	Specification	Qty.
12.1	SL70201400	Limit Tooth		1
12.2	MFT-7003100	Copper Bearing ϕ 25.8	ϕ 38* ϕ 25.8*18	4

Link Frame Assembly (13)

Item no.	Supplier parts no.	Description	Specification	Qty.
13.1	SL70201500	Link Frame		1
13.2	M01402000	Copper Bearing ϕ 12.2	ϕ 25* ϕ 12.2*13	2

Adjustable Handle Frame Assembly (14)

Item no.	Supplier parts no.	Description	Specification	Qty.
14.1	SL70201600	Adjustable Handle Frame		1
14.2	M01402000	Bush	$\phi 25 * \phi 12.2 * 13$	2
14.3	HV1PA1300	Short gloves	ST $\phi 36 * \phi 28 * 110$	1
14.4	IT90122000	Aluminum block ring	$\phi 50.3 * \phi 10.5 * 26$	1
14.5	IT90122100	Aluminum head	$\phi 46.9 * \phi 33.5 * 18$	1
14.6	CNLM10*30*30N19NL	Flat Head Cap Screw M10*30	M10*30(full thread)	1
14.7	YZGB7710-32*3.2N19	Socket Set Screw 10-32UNF*3.2	10-32UNF*3.2	2
14.8	IF81212700	Sun helmet	32*2.5*29	1

Adjustable Connection Frame Assembly (15)

Item no.	Supplier parts no.	Description	Specification	Qty.
15.1	SL70201700	Adjustable Connection Frame		1
15.2	MFT-7003100	Copper Bearing $\phi 25.8$	$\phi 38 * \phi 25.8 * 18$	1
15.3	BG10004600V1	Double elliptic buffer	44.5*25*8	1
15.4	SL70204000	Put gloves	DT $\phi 23 * \phi 17 * 63$	1
15.5	HF443D0300	Plug	$\phi 38$	1

Footplate Frame Assembly (16)

Item no.	Supplier parts no.	Description	Specification	Qty.
16.1	SL70201800	Footplate Frame		1
16.2	BG1714700	Barbell sleeve	$\phi 49 * \phi 41.4 * 179$	1
16.3	RF-6012500	Round pipe plug	$\phi 41.3 * \phi 34$	1
16.4	HF985A1500	Rubber cushion	$\phi 76 * \phi 42 * 25$	1

Lead Rail Assembly (19)

Item no.	Supplier parts no.	Description	Specification	Qty.
19.1	SL70202100V1	Lead Rail		2
19.2	SL70203600	Rail connecting frame		2
19.3	CNLM12*35DHS20	Flat head cap screw M12*35	M12*35(8.8 degree)	4
19.4	CNLM12*35DHS21	Flat head cap screw M12*36	M12*35(8.9 degree)	5

Weight Horn Assembly (20)

Item no.	Supplier parts no.	Description	Specification	Qty.
20.1	SL70202200V2	Weight Horn		2
20.2	SL70063800	Barbell sleeve	φ41.4*φ49*485	2
20.3	SL70012000	cap	φ49*φ12.5*25	2
20.4	GB70M12*35DHS20	Socket Head Cap Screw M12*35	M12*35(8.8 degree)	2
20.5	GB9512DHS2	Flat Washer φ13*φ24*2.5	φ13*φ24*2.5	2
20.6	SL70013100	Barbell cushion	DTφ76*φ42*25	2

Left Idler Wheel Frame Assembly (21)

Item no.	Supplier parts no.	Description	Specification	Qty.
21.1	SL70202300	Left Idler Wheel Frame		1
21.2	SL70202500	Roller		4
21.3	SL70202600	Externally Threaded Shaft	φ25*134	2
21.4	SL70202700	Internal Threaded Shaft	φ25*134	2
21.5	SL70202800	Bush	φ40*9	6
21.6	GB70M10*80*80DHS20	Socket Head Cap Screw M10*80	M10*80(8.8 degree,full thread)	2
21.7	NM12DHS2	Nylon Lock Nut M12	M12	6
21.8	SL70216000	Sleeve	φ26*φ32*14.5	2

Right Idler Wheel Frame Assembly (22)

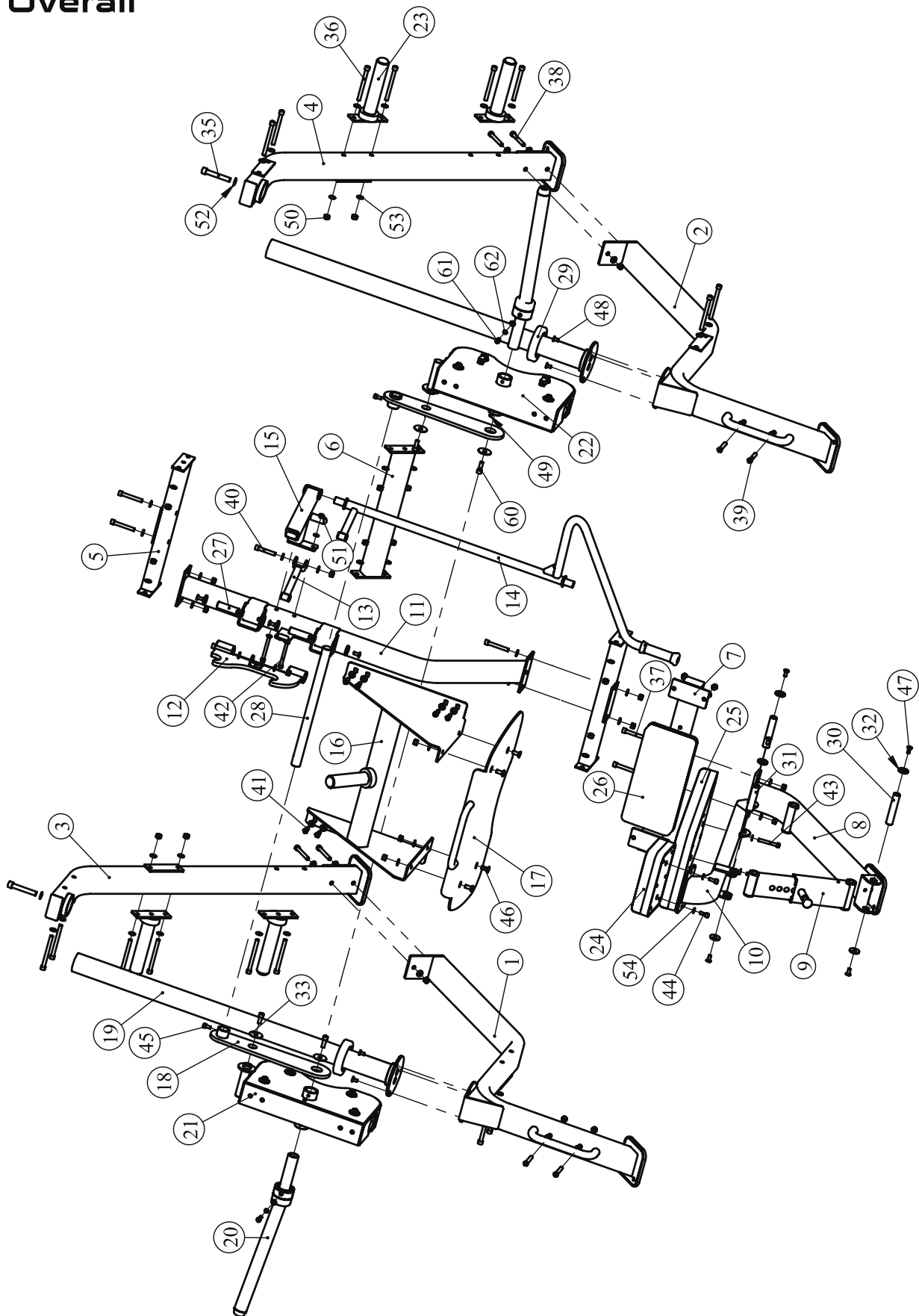
Item no.	Supplier parts no.	Description	Specification	Qty.
22.1	SL70202400	Right Idler Wheel Frame		1
22.2	SL70202500	Roller		4
22.3	SL70202600	Externally Threaded Shaft	φ25*134	2
22.4	SL70202700	Internal Threaded Shaft	φ25*134	2
22.5	SL70202800	Bush	φ40*9	6
22.6	GB70M10*80*80DHS20	Socket Head Cap Screw M10*80	M10*80(8.8 degree,full thread)	2
22.7	NM12DHS2	Nylon Lock Nut M12	M12	6
22.8	SL70216000	Sleeve	φ26*φ32*14.5	2

Weight Plate Storage Assembly (23)

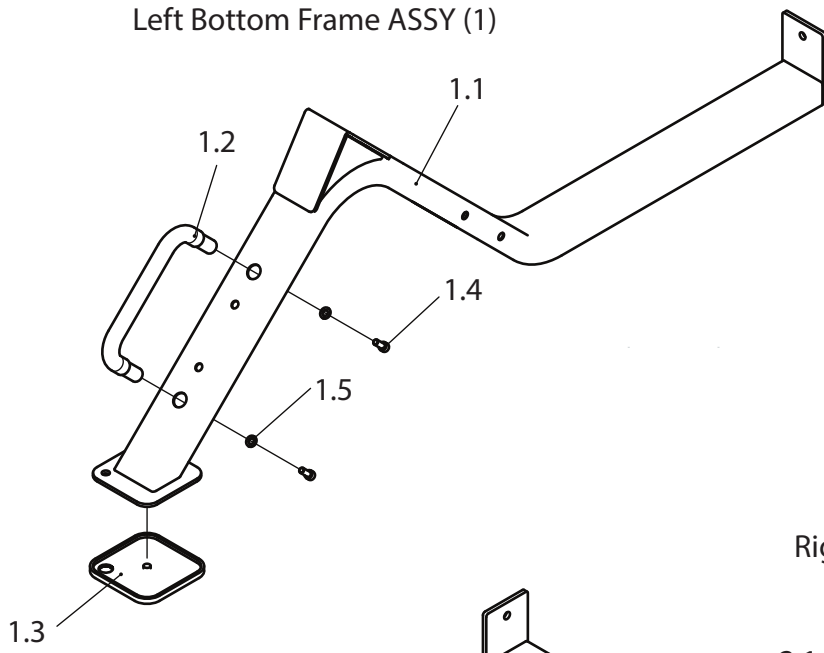
Item no.	Supplier parts no.	Description	Specification	Qty.
23.1	SL70100300	Weight Plate Storage		4
23.2	SL70100400	Barbell sleeve	φ41.4*φ49*223	4
23.3	HF985A1500	Weight Horn Rubber Donut	φ76*φ42*25	4
23.4	RF-6012500	Pipe plug	φ41.3*φ34	4

7.3 Exploded Drawing

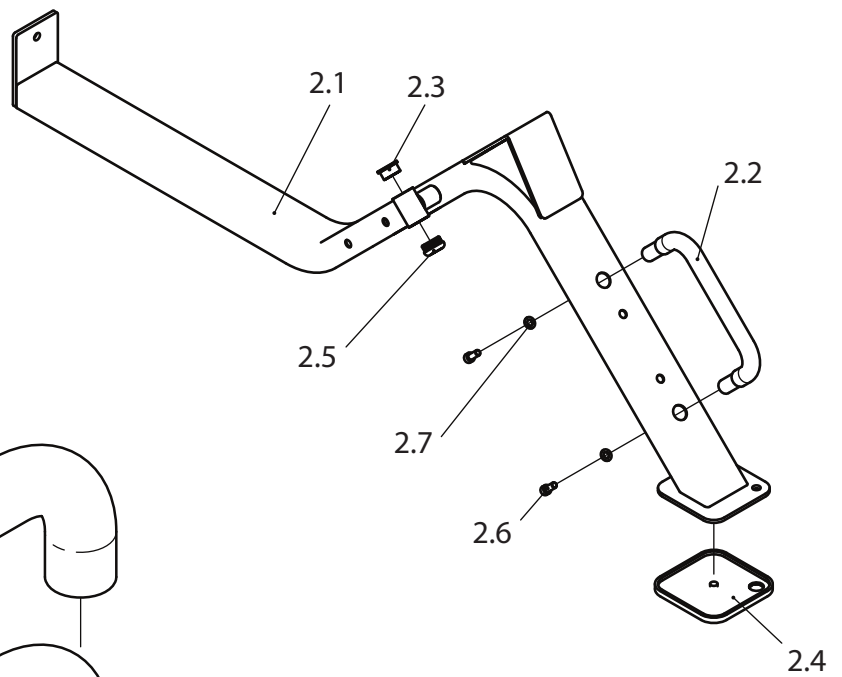
Overall



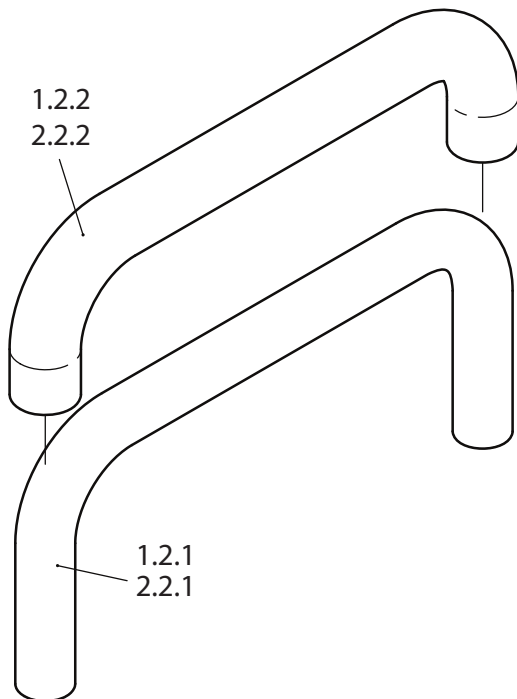
Left Bottom Frame ASSY (1)



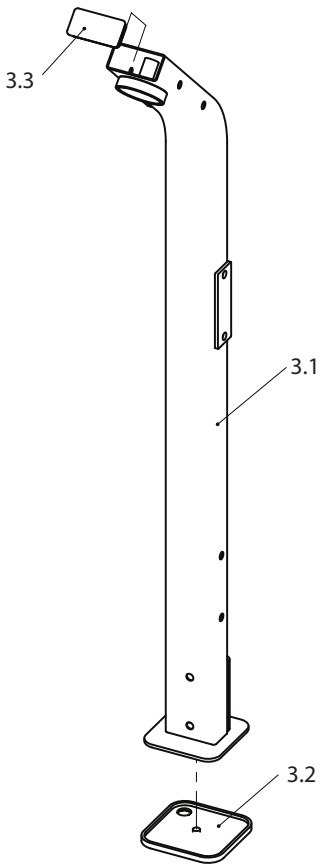
Right Bottom Frame ASSY (2)



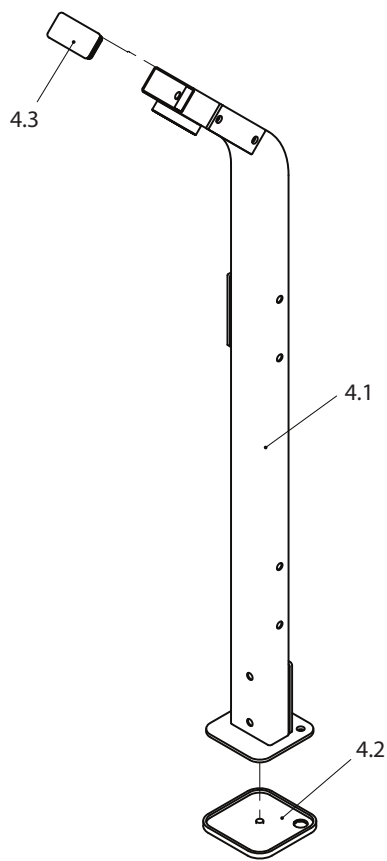
Handle ASSY (1.2 & 2.2)



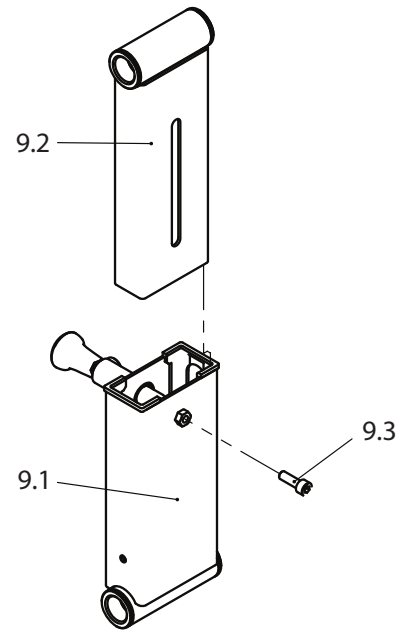
Left Union Frame ASSY (3)



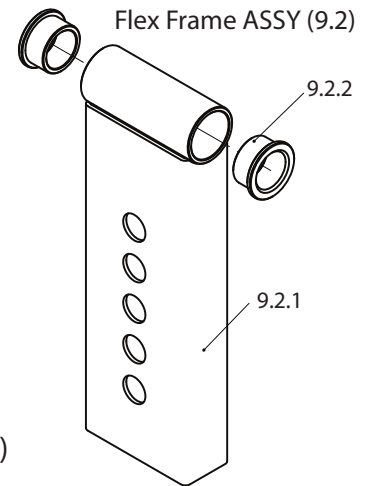
Right Union Frame ASSY (4)



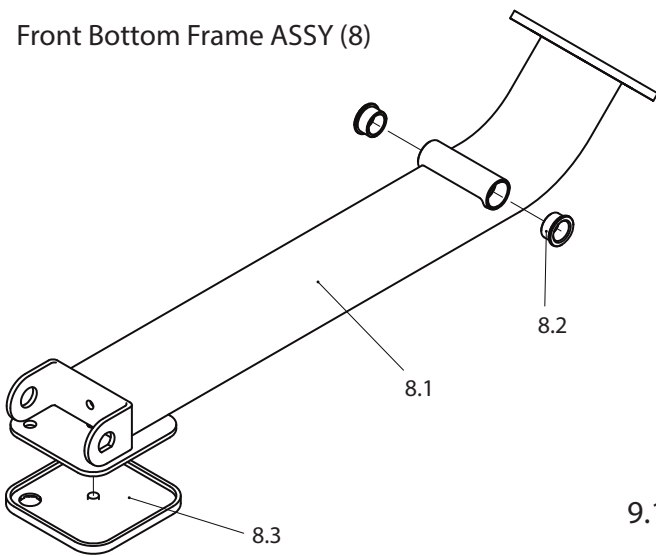
Swing Telescopic Frame ASSY (9)



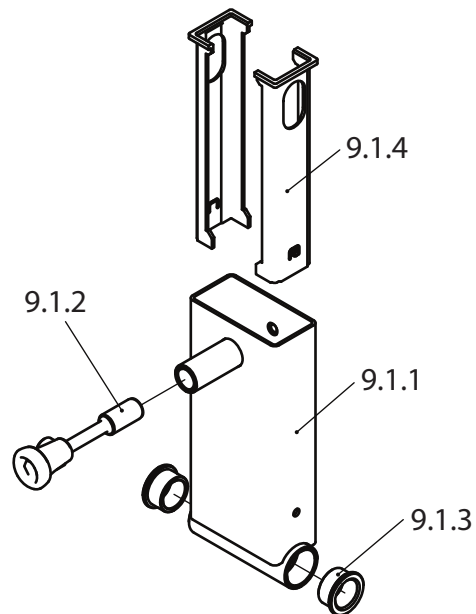
Flex Frame ASSY (9.2)



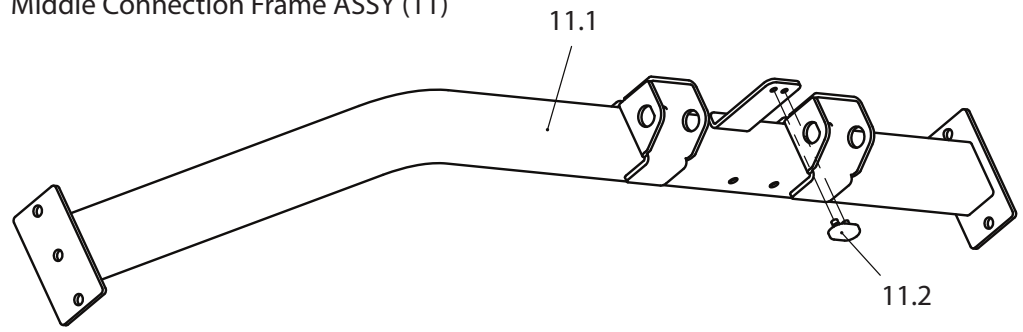
Front Bottom Frame ASSY (8)



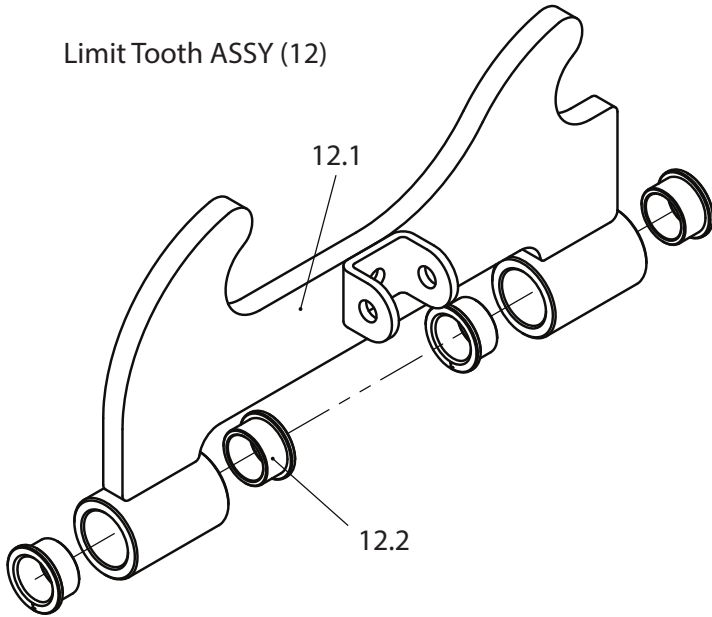
Swing Frame ASSY (9.1)



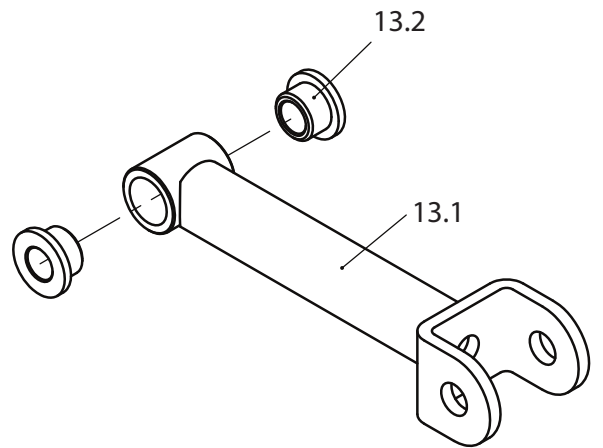
Middle Connection Frame ASSY (11)



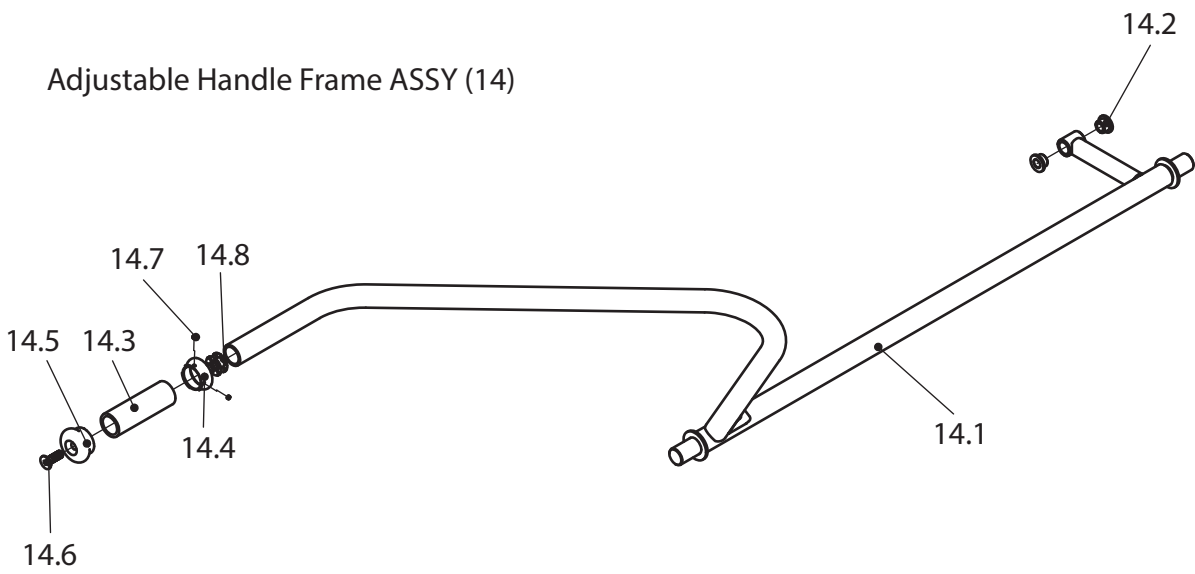
Limit Tooth ASSY (12)



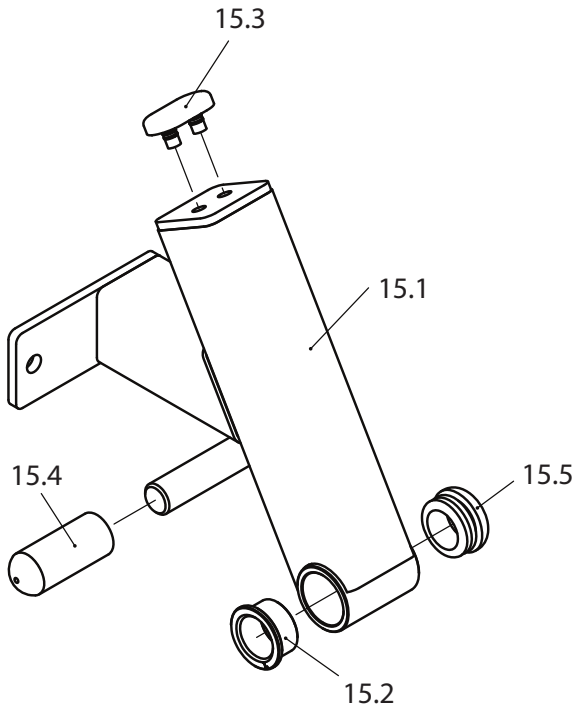
Link Frame ASSY (13)



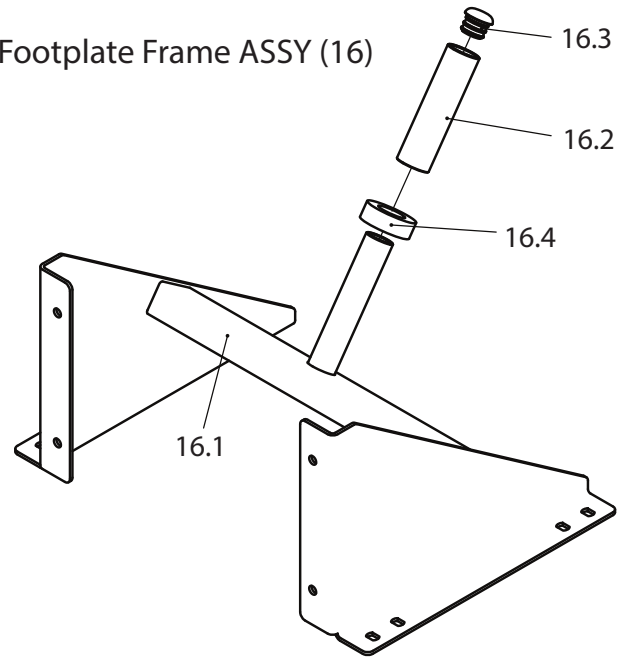
Adjustable Handle Frame ASSY (14)



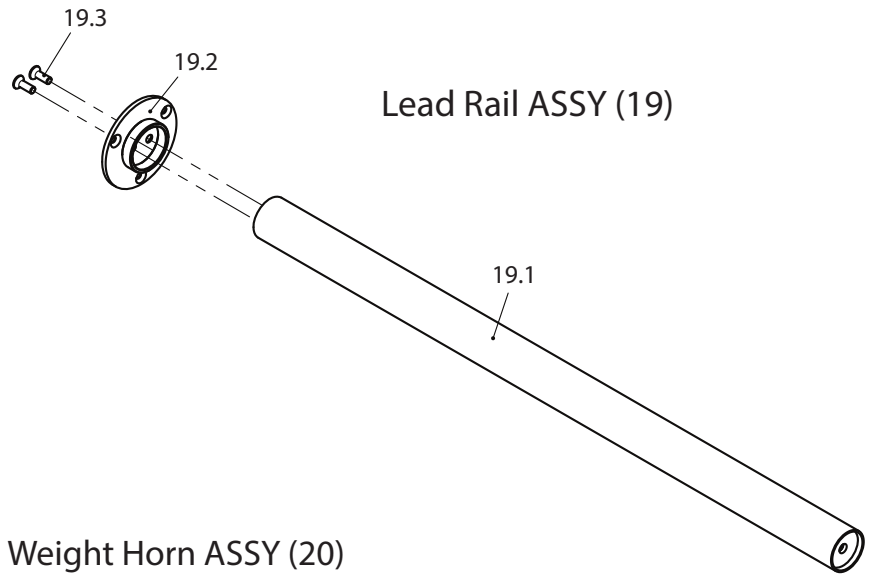
Adjustable Connection Frame ASSY (15)



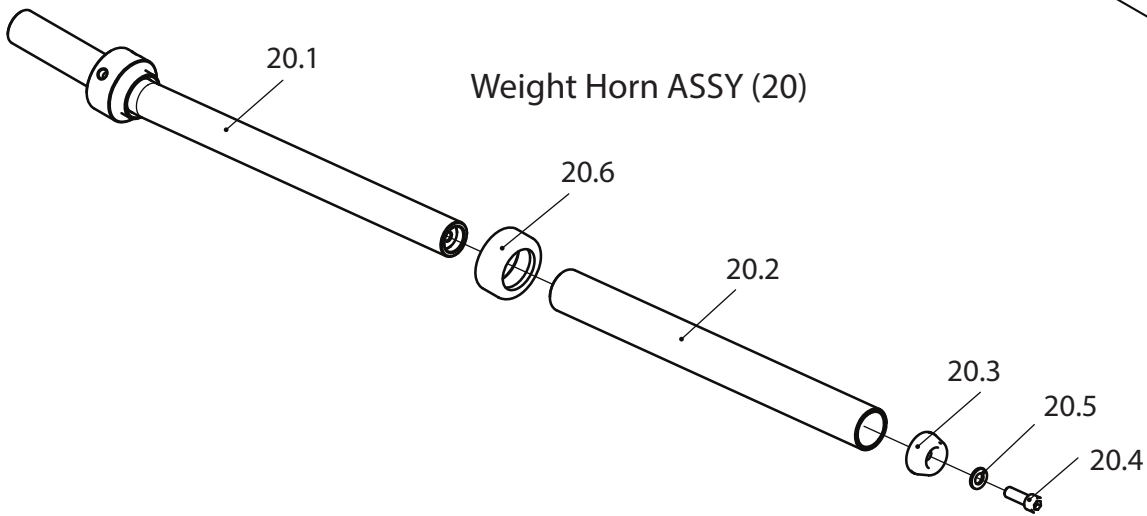
Footplate Frame ASSY (16)



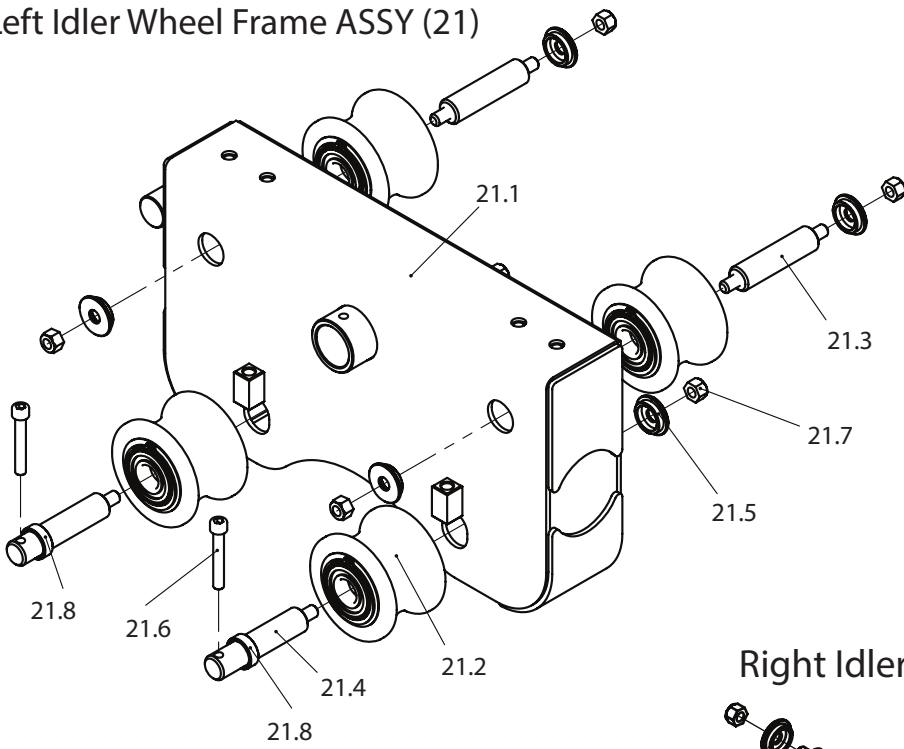
Lead Rail ASSY (19)



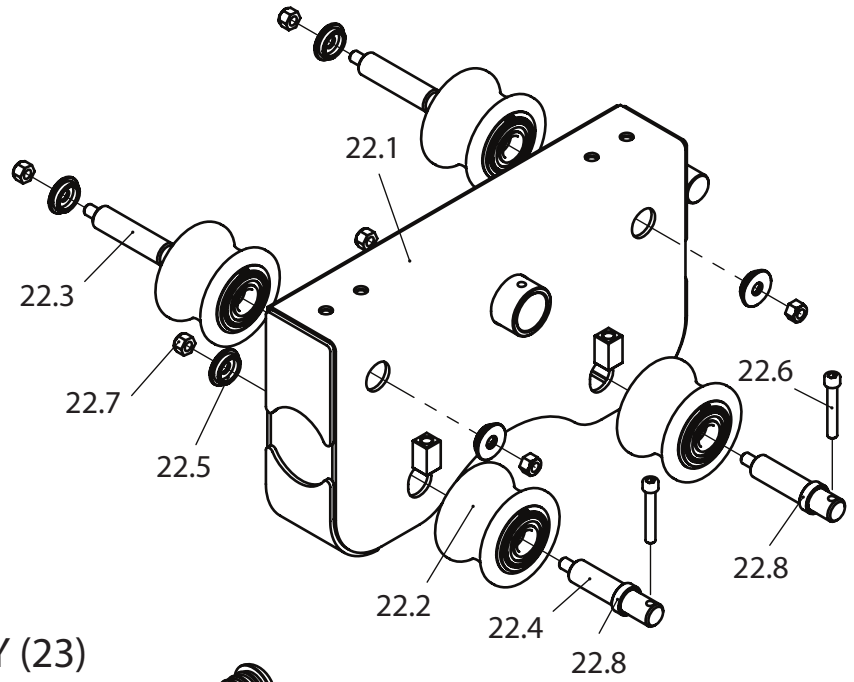
Weight Horn ASSY (20)



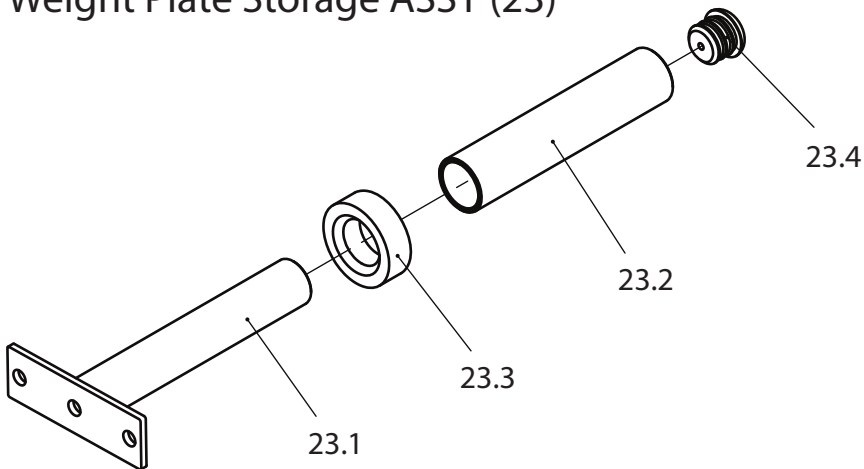
Left Idler Wheel Frame ASSY (21)



Right Idler Wheel Frame ASSY (22)



Weight Plate Storage ASSY (23)



Products from TAURUS® are subject to strict quality control. However, if a fitness equipment purchased from us does not work perfectly, we take it very seriously and ask you to contact our customer service as indicated. We are happy to help you by phone via our service hotline.

Error Descriptions

Your fitness equipment is developed for long-term, high-quality training. However, should a problem arise, please first read the operating instructions. For further assistance, please contact your contract partner or call our service hotline. To ensure your problem is solved as quickly as possible, please describe the defect as exactly as possible.

In addition to the statutory warranty, we provide a warranty for every fitness equipment purchased from us according to the following provisions.

Your statutory rights are not affected.

Warrantee

The warrantee is the first/original buyer and/or any person who received a newly purchased product as a gift from the original buyer.

Warranty period

The warranty periods, shown on our web shop, begin on delivery of the fitness equipment. The respective warranty periods for your equipment can be found on its product website.

Repair Costs

According to our choice, there will either be a repair, a replacement of individual damaged parts or a complete replacement. Spare parts, that have to be mounted while assembling the equipment, have to be replaced by the warrantee personally and are not a part of repair. After the expiration of the warranty period, the responsibility for parts costs, repair costs, installation costs and delivery costs lies with the warranty holder.

The terms of use are defined as follows:

- + Home use: solely for private use in private households up to 3 hours per day
- + Semi-professional use: up to 6 hours per day (e. g. rehabilitation centres, hotels, clubs, company gyms)
- + Professional use: more than 6 hours per day (e. g. commercial gyms)

Warranty Service

Within the warranty period, equipment which develops faults as a result of material or manufacturing defects, will be repaired or replaced at our discretion. Ownership of equipment or parts of equipment which have been replaced is transferred to us. The warranty period is not extended nor does a new warranty period begin following repair or replacement under the warranty.

Warranty Conditions

For the warranty to be valid, the following steps must be taken:

Please contact our customer service by email or phone. If the product under warranty has to be sent in for repair, the seller bears costs. After expiry of the warranty, the buyer bears the costs of transport and insurance. If the fault is covered by our warranty, you will receive a new or repaired equipment in return.

Warranty claims are invalid in case of damage resulting from:

- + misuse or improper handling
- + environmental influences (moisture, heat, electrical surge, dust, etc.)
- + failure to follow the current safety measures for the equipment
- + failure to follow the operating instructions
- + use of force (e. g. hitting, kicking, falling)
- + interventions which were not carried out by one of our authorized service centres
- + unauthorised repair attempts

Proof of Purchase and Serial Number

Please make sure that you are able to provide the appropriate receipt when claiming on your warranty. So that we can clearly identify the model of your equipment, and for the purposes of our quality control, you will need to give the serial number of your equipment, when contacting the service team. Where possible please have your serial number and your customer number ready when you call our service hotline. It will help us to deal with your request swiftly.







































If you cannot find the serial number on your fitness equipment, our service team is at your disposal to offer further information.

Service outside of the Warranty Period

We are also happy to issue an individual cost estimate if there is a problem with your fitness equipment after the warranty has expired, or in cases which do not fall under the terms of the warranty, e. g. normal wear and tear. Please contact our customer service team to find a quick and cost-effective solution to your problem. In such a case you will be responsible for the delivery costs.

Communication

Many problems can be solved just by speaking to us as your specialist supplier. We know how important it is to you as a user of the fitness equipment to have problems solved quickly and simply, so you can enjoy working out with minimal interruption. For that reason, we also want to resolve your queries quickly and in a straightforward manner. Thus, please always keep your customer number and the serial number of the faulty equipment handy.

DE	DK	UK
<p>TECHNIK</p> <p> +49 4621 4210-900  +49 4621 4210-698  technik@fitshop.de  Öffnungszeiten entnehmen Sie unserer Homepage.</p> <p>SERVICE</p> <p> 0800 20 20277 (kostenlos)  04621 4210 - 0  info@fitshop.de  Öffnungszeiten entnehmen Sie unserer Homepage: https://stg.fit/statita</p>	<p>TEKNIK OG SERVICE</p> <p> 80 90 16 50 +49 4621 4210-945  info@fitshop.dk  Åbningstider kan findes på hjemmesiden: https://stg.fit/statit7</p>	<p>CUSTOMER SUPPORT</p> <p> 00800 2020 2772 +494621 4210 944  info@fitshop.co.uk  You can find the opening hours on our homepage: https://stg.fit/statitc</p>
	FR	BE
	<p>TECHNIQUE & SERVICE</p> <p> +33 (0) 189 530984 +49 4621 42 10 933  info@fitshop.fr  Vous trouverez les heures d'ouverture sur notre site Internet: https://stg.fit/statit4</p>	<p>TECHNIQUE & SERVICE</p> <p> 02 732 46 77 +49 4621 4210 933  info@fitshop.be  Vous trouverez les heures d'ouverture sur notre site Internet: https://stg.fit/statit8</p>
ES	NL	INT
<p>TECNOLOGÍA Y SERVICIOS</p> <p> 911 238 029  info@fitshop.es  Consulta nuestro horario de apertura en la página web: https://stg.fit/statit5</p>	<p>TECHNISCHE DIENST & SERVICE</p> <p> +31 172 619961  service@fitshop.nl  De openingstijden vindt u op onze homepage: https://stg.fit/statit3</p>	<p>TECHNICAL SUPPORT & SERVICE</p> <p> +49 4621 4210-944  service-int@fitshop.de  You can find the opening hours on our homepage: https://stg.fit/statita</p>
PL	AT	CH
<p>DZIAŁ TECHNICZNY I SERWIS</p> <p> 22 307 43 21 +49 4621 42 10-948  info@fitshop.pl  Godziny otwarcia można znaleźć na stronie głównej: https://stg.fit/statit6</p>	<p>TECHNIK & SERVICE</p> <p> 0800 20 20277 (Freecall) +49 4621 42 10-0  info@fitshop.at  Öffnungszeiten entnehmen Sie unserer Homepage: https://stg.fit/statitb</p>	<p>TECHNIK & SERVICE</p> <p> 0800 202 027 +49 4621 42 10-0  info@fitshop.ch  Öffnungszeiten entnehmen Sie unserer Homepage: https://stg.fit/statit9</p>

Please find a detailed overview including address and opening hours for all stores of the Fitshop Group in Germany and abroad on the following website:

www.fitshop.com/en/stores

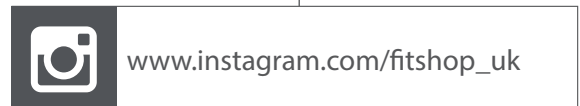
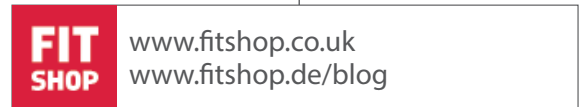
WE LIVE FITNESS

WEBSHOP AND SOCIAL MEDIA

Fitshop is Europe's largest specialist store for home fitness equipment with currently over 70 stores and one of the world's most renowned online mail order companies for fitness equipment. Private customers order via the 25 web shops in the respective national language or have their desired equipment assembled on site. In addition, the company supplies fitness studios, hotels, sports clubs, companies and physio practices with professional equipment for endurance and strength training.

Fitshop offers a wide range of fitness equipment from renowned manufacturers, high-quality in-house developments and comprehensive services, such as a build-up service and sports scientific advice before and after the purchase. The company employs numerous sports scientists, fitness trainers and competitive athletes.

Visit us also on our social media platforms or our blog!



Notes

Notes

Notes

TAURUS[®]

Taurus 45 Degree Leg Press Sterling