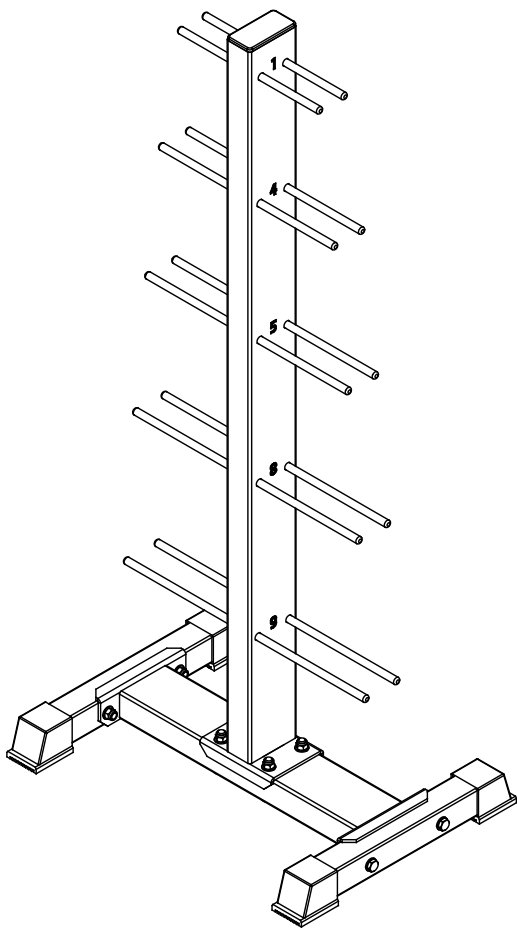


# TAURUS®

## Operating Instructions



Art. No. TF-TDDBS

FSTFTDDBS.01.02

## GENERAL SAFETY INSTRUCTIONS

### Personal Safety

#### ⚠ DANGER

- + Before you start using the equipment, you should consult your physician that this type of exercise is suitable for you from a health perspective.
- + Note that excessive training can seriously endanger your health. If you notice any signs of weakness, nausea, dizziness, pain, shortness of breath, or other abnormal symptoms, stop exercising immediately and seek advice from your doctor if necessary.

#### ⚠ WARNING

- + This equipment may not be used by children under 14 years.
- + Children should not be allowed unsupervised access to the equipment
- + Persons with disabilities must have a medical license and must be under strict observation when using the equipment.
- + The equipment is strictly for use by one person at a time.

#### ⚠ CAUTION

- + Make sure that nobody is within the range of motion of the equipment during training so as not to endanger you or other persons.

#### ▶ ATTENTION

- + Do not insert any objects of any kind into the openings of the device.

### Set-Up Place

#### ⚠ WARNING

- + Do not place the equipment in main corridors or escape routes.
- + To prevent fire, do not place the device near or in areas with high heat (e.g. near a heater).

#### ⚠ CAUTION

- + Choose the set-up place so that there is sufficient space around the product.

#### ▶ ATTENTION

- + The device may only be used in one building, in sufficiently tempered and dry rooms (ambient temperatures between 10°C and 35°C). The equipment should not be used outdoors or in rooms with high humidity (over 70%) like swimming pools.

### Intended Use

The equipment may only be used for its intended purpose.

The equipment is suitable for home use and semi-professional use (e.g. hospitals, clubs, hotels, schools, etc.). The equipment is not suitable for commercial or professional use (e.g. fitness studio).

### Technical data

Article weight (gross, incl. packaging):	18.5 kg
Article weight (net, without packaging):	18 kg
Packaging dimensions (L x W x H):	137 cm x 59 cm x 19 cm
Set-up dimensions (L x W x H):	46 cm x 63 cm x 138 cm
Maximum load:	200 kg
Use class:	S

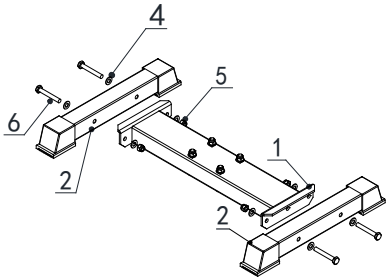
### Parts List

No.	Name	Specification	Qty.
1	Foot connection		1
2	Side foot		2
3	Upright		1
4	Washer	10	12
5	Lock nut	M10	8
6	Hexagon head bolts	M10×70	4
7	Cup head square neck bolts	M10×70	4

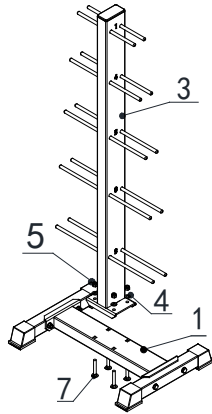
TF-TDDBS

## Assembly

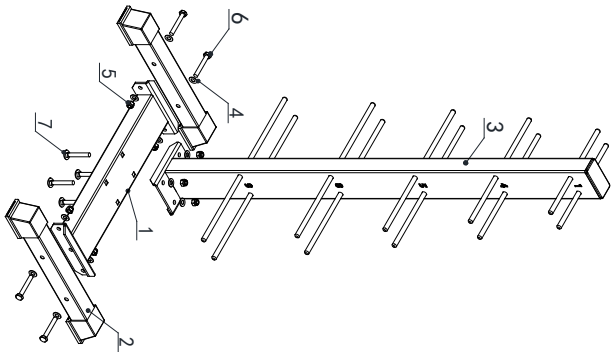
1. Fix the two side foots (2) to the foot connection (1) with four bolts (6), eight washers (4) and four nuts (5).



2. Fix the upright (3) to the foot connection (1) with four bolts (7), four washers (4) and four nuts (5).



## Exploded Drawing



## Warranty Information

Training equipment from TAURUS® is subject to strict quality control. However, if a fitness equipment purchased from us does not work perfectly, we take it very seriously and ask you to contact our customer service as indicated. We are happy to help you by phone via our service hotline.

### Warranty period

The warranty periods, shown on our web shop, begin on delivery of the fitness equipment. The respective warranty periods for your equipment can be found on its product website.

Please refer to the website of your TAURUS® device for the exact warranty conditions.

## Care, Maintenance and Storage

### ⚠ WARNING

The storage location should be chosen so that improper use by third parties or children is prevented.

1. Clean the device with a dry soft cloth.
2. Store the device in the supplied carton in a dry environment.

## Disposal

At the end of its operational life, this equipment cannot be disposed of in normal household waste. Instead, it must be disposed of via a recycling centre. Further information can be obtained from your local authority's recycling service.

## Contact

### DE TECHNIK

+49 4621 4210-900  
technik@fitshop.de

### SERVICE

0800 20 20277 (kostenlos)  
info@fitshop.de

### UK CUSTOMER SUPPORT

00800 2020 2772  
+494621 4210 944  
service@fitshop.com

### FR TECHNIQUE & SERVICE

+33 (0) 189 530984  
+49 4621 42 10 933  
info@fitshop.fr

### DK TEKNIK OG SERVICE

80 90 16 50  
+49 4621 4210-945  
info@fitshop.dk

### ES TECNOLOGÍA Y SERVICIOS

911 238 029  
info@fitshop.es

### BE TECHNIQUE & SERVICE

02 732 46 77  
+49 4621 4210 933  
info@fitshop.be

### NL TECHNISCHE DIENST & SERVICE

+31 172 619961  
service@fitshop.nl

### AT TECHNIK & SERVICE

0800 20 20277 (kostenlos)  
+49 4621 42 10-0  
info@fitshop.at

### CH TECHNIK & SERVICE

0800 202 027  
+49 4621 42 10-0  
info@fitshop.ch

### PL DZIAŁ TECHNICZNY I SERWIS

22 307 43 21  
+49 4621 42 10-948  
info@fitshop.pl

### INT TECHNICAL SUPPORT & SERVICE

+49 4621 4210-944  
service-int@fitshop.de