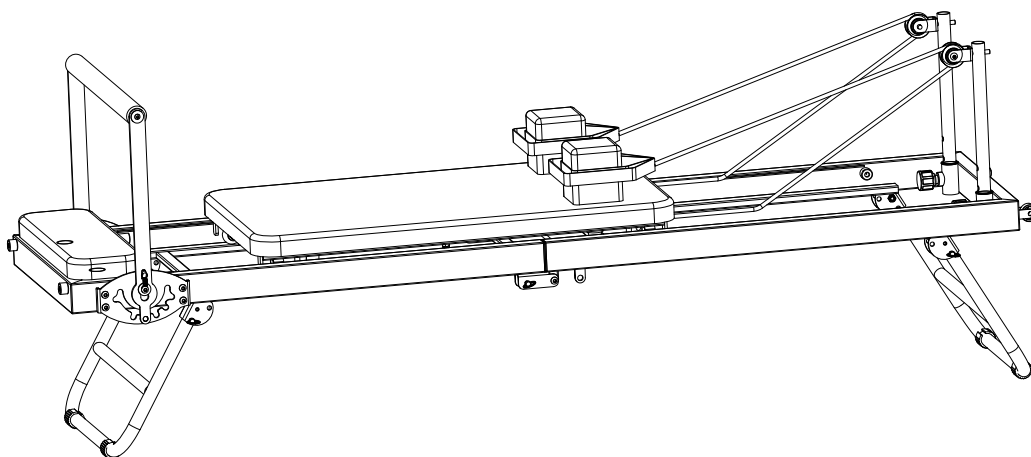


# TAURUS®

## Assembly and Operating Instructions



max. 100 kg



~ 30 Min.



32 kg

L 197 | W 56 | H 72

FSTFPRC.01.01

Art. No. TF-PRC

**Pilates Reformer Compact**



# Content

<b>1</b>	<b>GENERAL INFORMATION</b>	<b>8</b>
1.1	Technical Data	8
1.2	Technical Drawings	8
1.3	Personal Safety	9
1.4	Set-Up Place	10
<b>2</b>	<b>ASSEMBLY</b>	<b>11</b>
2.1	General Instructions	11
2.2	Scope of Delivery	12
2.3	Assembly	13
<b>3</b>	<b>STORAGE AND TRANSPORT</b>	<b>16</b>
3.1	General Instructions	16
3.2	Folding the Equipment	16
3.3	Transportation Wheels	18
<b>4</b>	<b>WORKOUT TIPS</b>	<b>19</b>
4.1	General Instructions	19
4.1.1	Training clothes	19
4.1.2	Warming up and stretching	19
4.1.3	Medication	20
4.1.4	Used muscle groups	20
4.1.5	Exercise frequency	20
4.2	Workout journal	22
4.3	Exercises	23
<b>5</b>	<b>TROUBLESHOOTING, CARE AND MAINTENANCE</b>	<b>24</b>
5.1	General Instructions	24
5.2	Faults and Fault Diagnosis	24
5.3	Maintenance and Inspection Calendar	25
<b>6</b>	<b>DISPOSAL</b>	<b>25</b>
<b>7</b>	<b>RECOMMENDED ACCESSORIES</b>	<b>26</b>
<b>8</b>	<b>ORDERING SPARE PARTS</b>	<b>27</b>
8.1	Serial Number and Model Name	27
8.2	Parts List	28
8.3	Exploded Drawing	30

9	WARRANTY	31
10	CONTACT	33

**Dear customer,**

Thank you for choosing quality training equipment from the TAURUS® brand. Taurus offers sports and fitness equipment for home users with high demands on quality, functionality and longevity. Also, Taurus is a well-known and experienced brand for equipping professional rooms for fitness studios and business customers. The focus of Taurus fitness equipment is on what matters most in sports: maximum performance! Therefore, the devices are developed in close consultation with athletes and sports scientists. Because athletes know best what makes perfect fitness equipment.

Further information can be found at [www.fitshop.com/taurus](http://www.fitshop.com/taurus).

**Intended Use**

The equipment may only be used for its intended purpose.

The equipment is only suitable for home use. The equipment is not suitable for semi-professional (e.g. hospitals, associations, hotels, schools, etc.) and commercial or professional use (e.g. fitness studios).

**Legal Notice**

Fitshop GmbH  
Europe's No. 1 for home fitness

International Headquarters  
Flensburger Straße 55  
24837 Schleswig  
Germany

Management:  
Christian Grau  
Sebastian Campmann  
Dr. Bernhard Schenkel  
No. HRB 1000 SL  
Local Court Flensburg  
European VAT Number: DE813211547

**Disclaimer**

© TAURUS is a registered brand of the company Fitshop GmbH. All rights reserved. Any use of this trademark without the explicit written permission of Fitshop is prohibited.

Product and manual are subject to change. Technical data can be changed without advance notice.

# **FITSHOP**

Europe's No.1 for Home Fitness

## ABOUT THIS MANUAL

Please carefully read the entire manual before installation and first use. The manual will help you to quickly set up the system and explains how to safely use it. Make sure that all persons exercising with the equipment (especially children and persons with physical, sensory, mental or motor disabilities) are informed about this manual and its contents in advance. In case of doubt, responsible persons must supervise the use of the equipment.

Due to ongoing changes and software optimisations, the manual may have to be updated. If you notice any discrepancies during assembly or use, please refer to the manual uploaded to the webshop. The latest manual is always available there.



This equipment has been manufactured according to the latest safety knowledge. As far as possible, potential safety hazards which could cause injury have been eliminated. Make sure to carefully follow the instructions and that all parts are securely in place. If required, read through the instructions again to correct any mistakes.

Training devices must be classified according to accuracy and use. Accuracy classes are only applicable to devices that display training data.

### Accuracy classes

Class A: high accuracy.

Class B: medium accuracy.

Class C: low accuracy.

The use classes explain the intended use of the training device.

### Use classes

**Class S** (studio): professional and/or commercial use.

These training devices are intended for the use in training rooms of facilities such as sports clubs, school facilities, hotels, clubs and studios whose access and supervision is specifically regulated by the owner (person with legal responsibility).

**Class H** (home use): use at home.

These stationary training devices are intended for the use in private homes where access to the training device is regulated by the owner (person with legal responsibility).

Please pay close attention to the safety and maintenance instructions given here. The contract partner cannot be held liable for damage to health, accidents or damage to the equipment when it is not used in accordance with these instructions.

The following safety instructions may appear in this manual:

► **ATTENTION**

This notice indicates potentially hazardous situations which, if not avoided, may result in property damage.



**CAUTION**

This notice indicates potentially hazardous situations which, if not avoided, may result in slight or minor injuries!



**WARNING**

This notice indicates potentially hazardous situations which, if not avoided, may result in death or serious injuries!



**DANGER**

This notice indicates potentially hazardous situations which, if not avoided, will result in death or serious injuries!



**NOTICE**

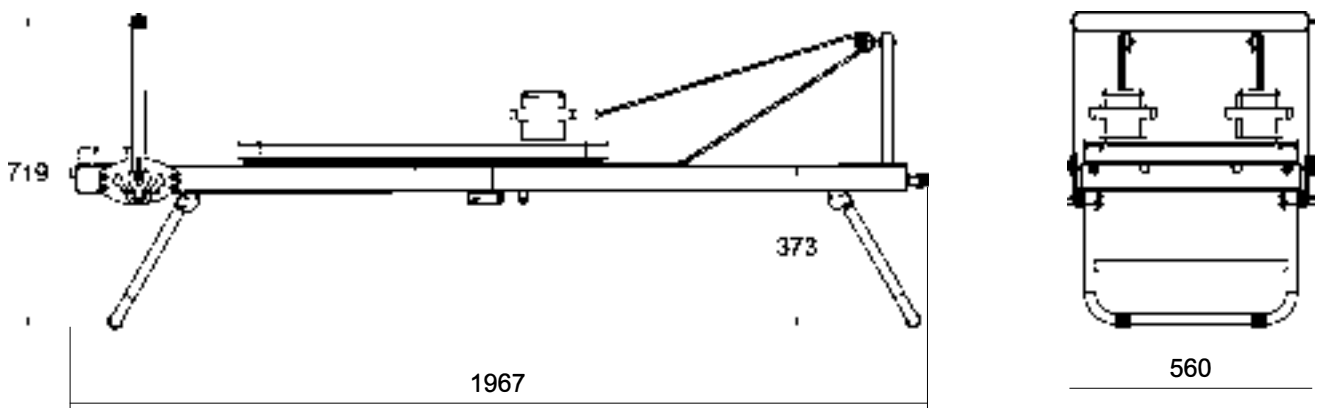
This notice indicates further useful information.

Retain these instructions in a safe place for future reference, maintenance or when ordering replacement parts.

### 1.1 Technical Data

<b>Weight and dimensions</b>	
Item weight (gross, including packaging)	35.5 kg
Item weight (net, without packaging)	32 kg
Packaging dimensions of cartons (L x W x H)	111 cm x 60.5 cm x 30.8 cm
Set-up dimensions (L x W x H)	197 cm x 56 cm x 72 cm
<b>Additional measurement data</b>	
Maximum user height	180 cm
<b>Maximum load</b>	
Maximum user weight	100 kg
<b>Other data</b>	
Use class	H

### 1.2 Technical Drawings



Dimensions in mm

## 1.3 Personal Safety

### **DANGER**

- + Before you start using the equipment, you should consult your physician that this type of exercise is suitable for you from a health perspective. Particularly affected are persons who: have a hereditary disposition to high blood pressure or heart disease, are over the age of 45, smoke, have high cholesterol values, are overweight and/or have not exercised regularly in the past year. If you are under medical treatment that affects your heart rate, medical advice is absolutely essential.
- + Note that excessive training can seriously endanger your health. Please also note that heart rate monitoring systems can be inaccurate. If you notice any signs of weakness, nausea, dizziness, pain, shortness of breath, or other abnormal symptoms, stop exercising immediately and seek advice from your doctor if necessary.
- + The owner must communicate all warnings and instructions to the user.

### **WARNING**

- + This equipment may not be used by children under the age of 14.
- + Children should not be allowed unsupervised access to the equipment.
- + Persons with disabilities must have a medical license and must be under strict observation when using the equipment.
- + The equipment is strictly for use by one person at a time.
- + Keep your hands, feet and other body parts, hair, clothing, jewellery and other objects well clear of moving parts.
- + During use, wear suitable sports clothing rather than loose or baggy clothing. When wearing sports shoes, make sure they have suitable soles, preferably made of rubber or other non-slip materials. Shoes with heels, leather soles, studs or spikes are unsuitable. Never exercise barefoot.
- + Always start each workout with a light warm-up and end with a cool-down phase.
- + Using the machine as a support during stretching exercises or attaching resistance bands, ropes or other accessories to it, may cause injuries.

### **CAUTION**

- + Make sure that nobody is within the range of motion of the equipment during training so as not to endanger you or other persons.
- + Be aware that if adjustment devices are left protruding, they may impede the user's movement.
- + The weights should remain in the user's field of vision during the entire exercise to prevent danger to third parties.
- + The safety level of the appliance can only be maintained if it is regularly checked for damage and wear.

### **ATTENTION**

- + Do not insert any objects of any kind into the openings of the device.

## 1.4 Set-Up Place

### **WARNING**

- + Do not place the equipment in main corridors or escape routes.

### **CAUTION**

- + Choose a location in which to place the equipment such that there is enough free space/clearance to the front, the rear and to the sides of the equipment.
- + The training room should be well ventilated during training and not be exposed to any draughts.
- + Choose the place in which to set up the equipment such that there is enough free space/clearance to the front, the rear and to the sides of the equipment.
- + The free area in the direction from which the exercise equipment is accessed must be at least 0.6 m larger than the exercise area.
- + The set-up and mounting surface of the equipment should be flat, loadable and solid.
- + If your device is to be mounted on the wall/ceiling, make sure that you use the appropriate assembly material to avoid possible damages or personal injuries. The contractual partner accepts no liability for this.

### **ATTENTION**

- + The device may only be used in one building, in sufficiently tempered and dry rooms (ambient temperatures between 10°C and 35°C). The equipment should not be used outdoors or in rooms with high humidity (over 70%) like swimming pools.
- + A floor protective mat/equipment underlay can help to protect high-quality floor coverings (parquet, laminate, cork, carpets) from dents and sweat and can help to level out slight unevenness.
- + For Class S equipment, the exercise equipment may only be used in areas where access, supervision and control are specifically regulated by the owner.

### 2.1 General Instructions



#### **DANGER**

- + Do not leave any tools, packaging materials such as foils or small parts lying around, as otherwise there is a danger of suffocation for children. Keep children away from the equipment during assembly.



#### **WARNING**

- + Pay attention to the instructions attached to the equipment in order to reduce the risk of injuries.



#### **CAUTION**

- + Ensure to have sufficient room for movement in each direction during assembly.
- + The assembly of the equipment must be carried out by at least two adults. If in doubt, seek the help of a third technically skilled person.



#### **ATTENTION**

- + To prevent damage to the equipment and the floor, assemble the equipment on a mat or packaging board.



#### **NOTICE**

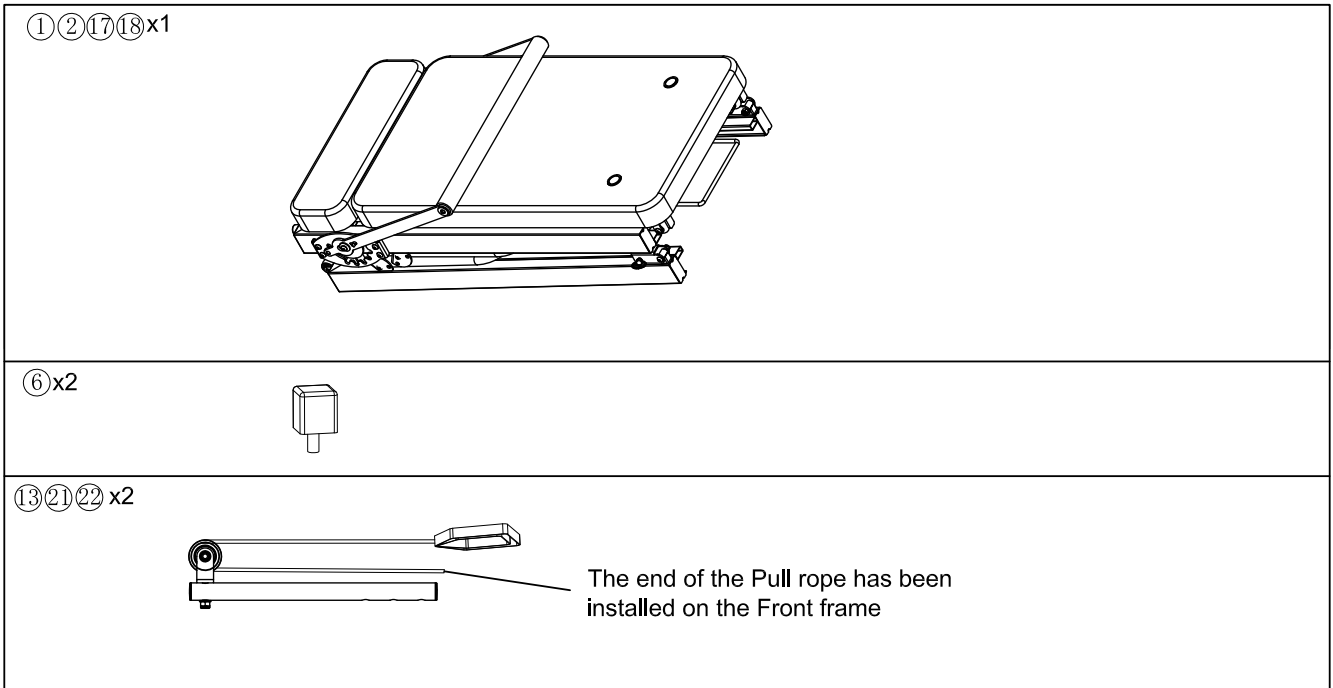
- + In order to make the assembly as simple as possible, some screws and nuts to be used can already be pre-assembled.
- + Ideally, assemble the equipment at its later set-up place.

## 2.2 Scope of Delivery

The scope of delivery consist of the following parts. At the beginning, check whether all parts and tools belonging to the device are included in the scope of delivery and whether damage has occurred. In the event of complaints, the contractual partner must be contacted directly.

**⚠ CAUTION**

If parts of the scope of delivery are missing or damaged, the assembly must not be carried out.



## 2.3 Assembly

Before assembly, take a close look at the individual assembly steps shown and carry out the assembly in the order given.

### ① NOTICE

- + If you have difficulty recognising the graphics, we recommend that you open and/or download the PDF instructions stored in the webshop on your end device (e.g. smartphone, tablet or PC). There you have the option of zooming in closer. Please note that the Adobe Acrobat Reader programme must be installed on your end device in order to open the file.

### Step 1: Unfolding the Equipment

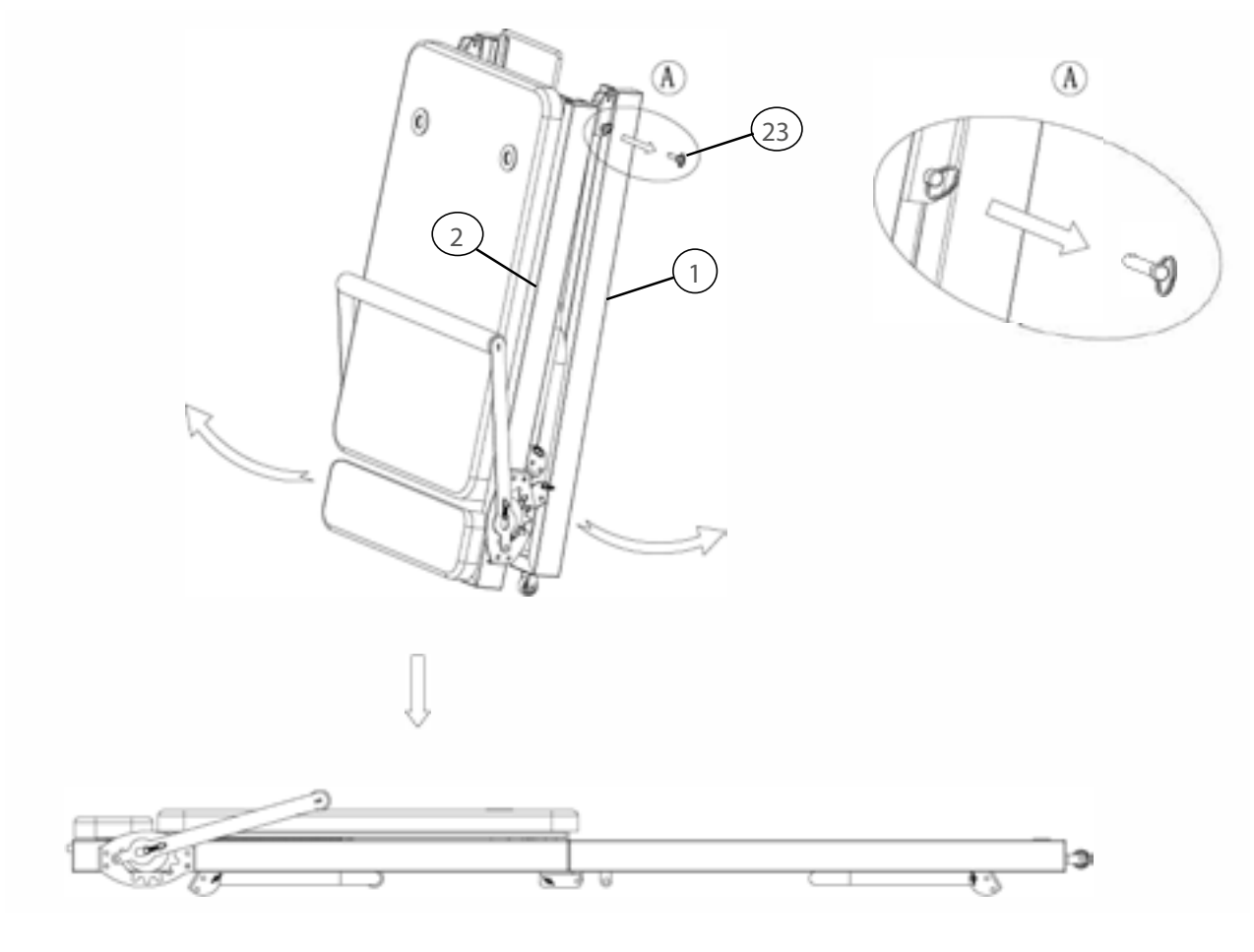
#### ⚠ CAUTION

Make sure that you don't pinch your hands while unfolding the equipment.

### ① NOTICE

It is recommended to unfold the equipment with two persons.

1. Place the equipment in an upright position with the handle pointing upwards
2. Pull out the safety pins (23) on both sides of the front frame (1) [A].
3. Unfold the equipment by pulling the front frame (1) and rear frame (2) outward at the same time.
4. Place the equipment on the floor.



## Step 2: Setting Up the Foot Stabilizers and Handrail Tube

1. Pull out the safety pins (23) on both sides of the foot stabilizers (4) [B].



### CAUTION

Make sure that you don't pinch your hands when folding out the foot stabilizers.

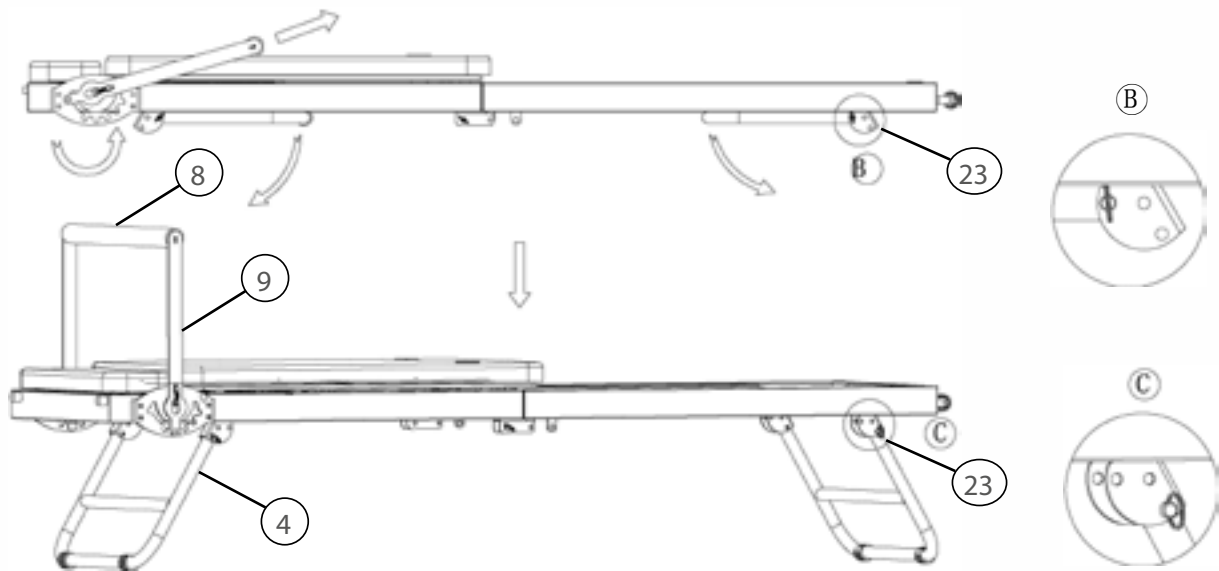
2. Fold out both foot stabilizers (4) by pulling them outwards.
3. Insert the previously pulled out safety pins (23) into the lower hole of each foot stabilizer (4) to secure them [C].
4. Hold the handrail tube (8) and pull it slightly up.



### NOTICE

The support plate has five different adjustment holes to adjust the angle.

5. Pull the support plate (9) up to the desired adjustment hole.



### Step 3: Assembly of the Shoulder Pads and Pull Rope Adjusting Tubes

1. Insert the shoulder pads (19) into the two holes on the back pad (18).
2. Turn the adjusting knob (28) twice counterclockwise.
3. Pull the adjusting knob (28) back, insert the pull rope adjusting tube (13) into the bushing (20) and release the adjusting knob (28) so it is aligned with the adjustment hole.

**ⓘ NOTICE**

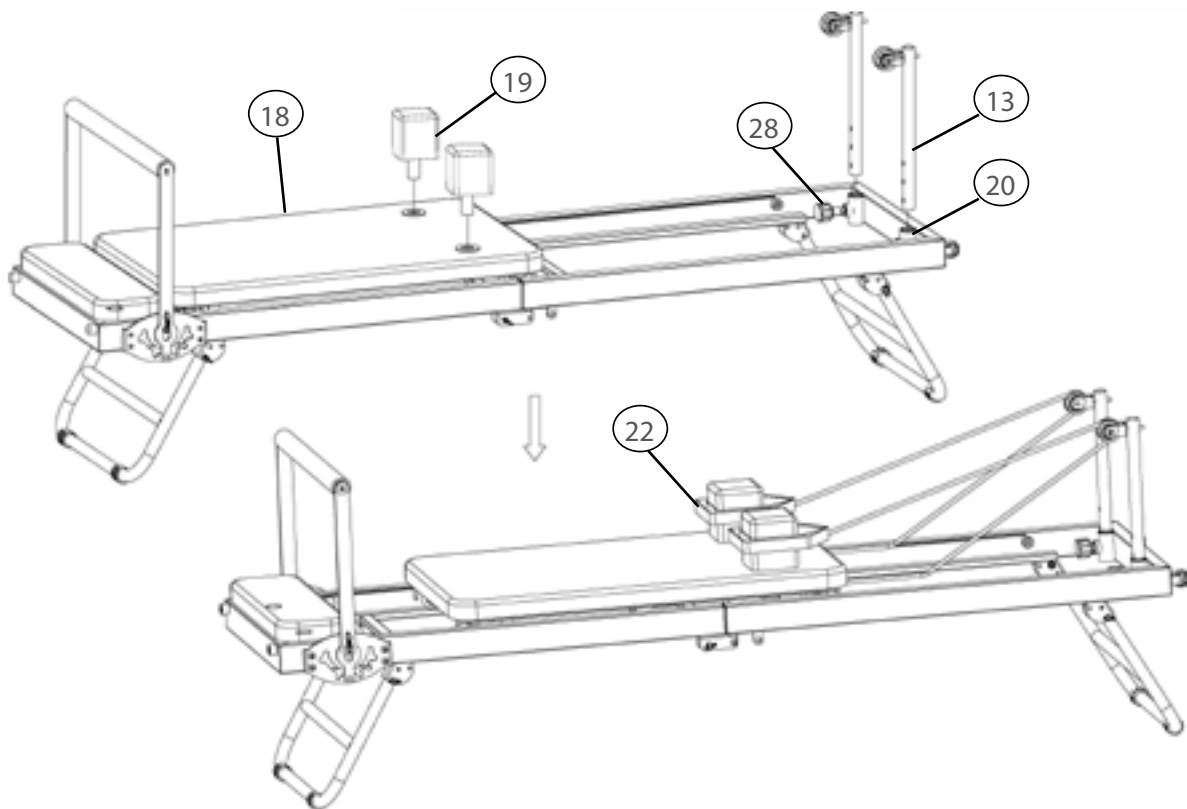
- + Make sure that the adjusting knob engages in the desired adjustment hole.
- + There are three adjustment holes on the pull rope adjusting tube to adjust the desired height.

4. Tighten the adjusting knob (28) clockwise.
5. Repeat these steps for the other side.

**ⓘ NOTICE**

Each time you adjust the height, you need to turn the adjusting knob counterclockwise and then pull out the adjusting knob. After adjusting the height, tighten the adjusting knob clockwise.

6. Pull the webbings (22) over the shoulder pads (19).



### 3.1 General Instructions

#### WARNING

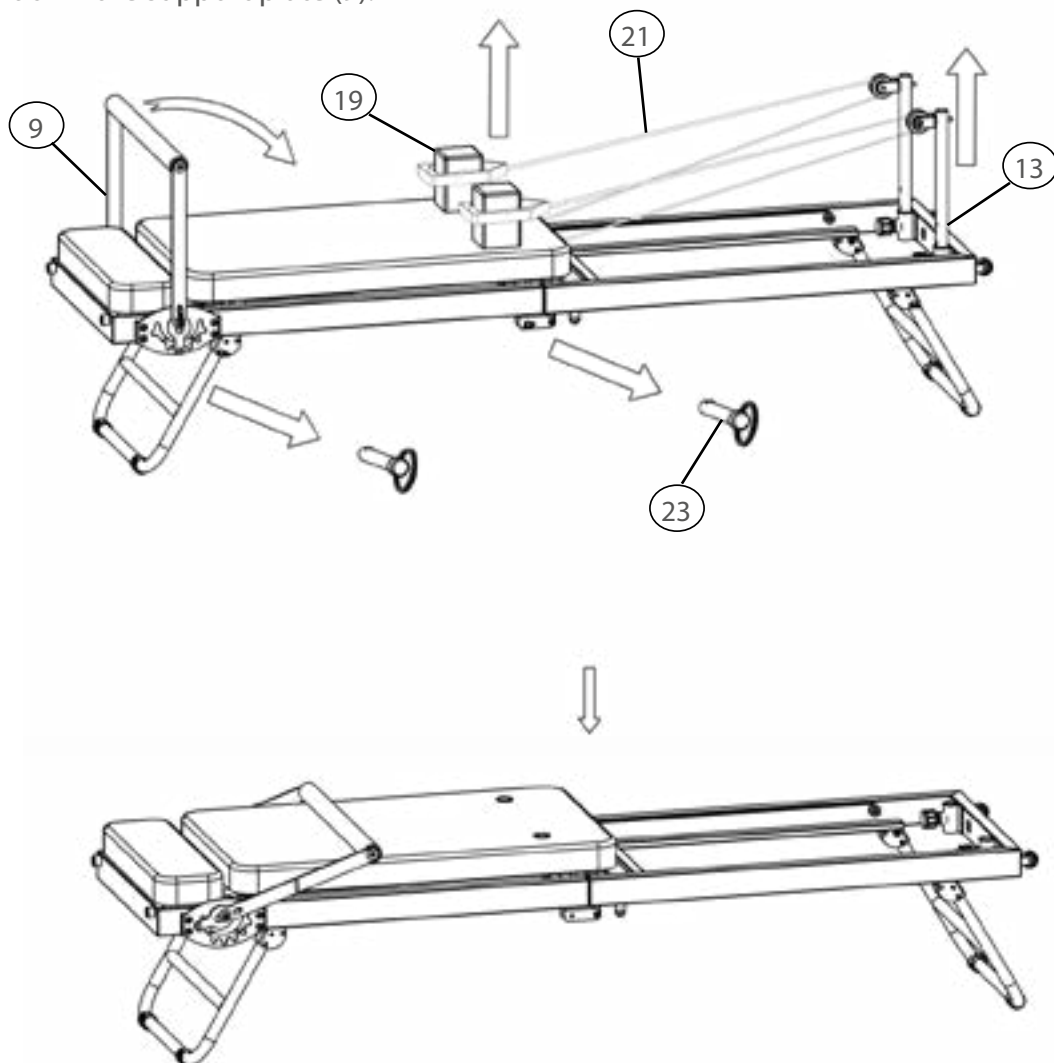
- + The storage location should be chosen so that improper use by third parties or children can be prevented.
- + If your equipment does not have transportation wheels, the equipment must be disassembled before transportation.

#### ATTENTION

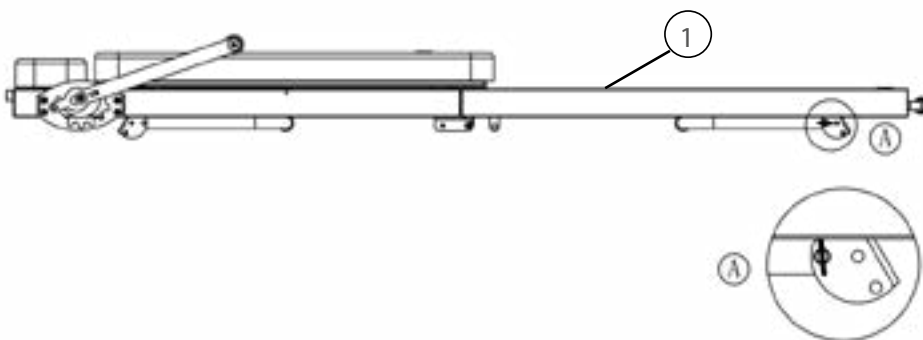
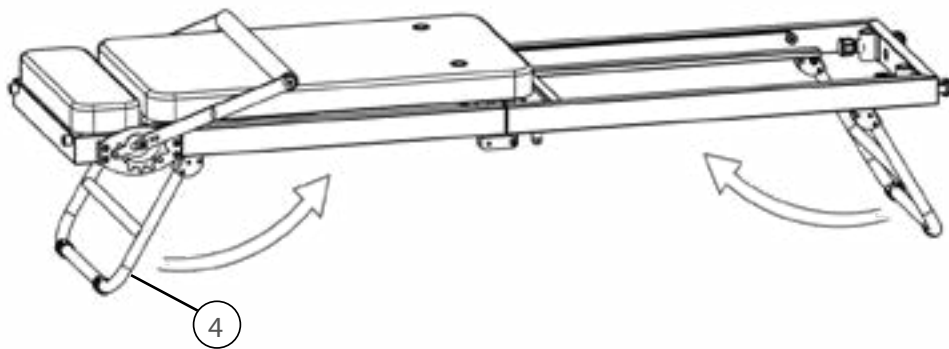
- + Make sure that the equipment is protected from moisture, dust and dirt in the selected storage location. The storage location should be dry and well ventilated and have a constant ambient temperature between 10°C and 35°C.

### 3.2 Folding the Equipment

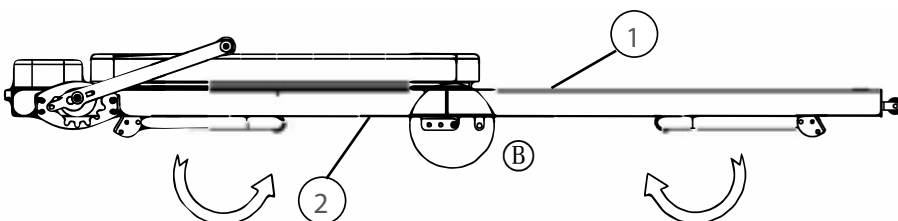
1. Remove the shoulder pads (19), pull ropes (21), pull rope adjusting tubes (13) and safety pins (23).
2. Fold down the support plate (9).



3. Fold both foot stabilizers (4) by pushing them inwards.
4. Insert the safety pin (23) into the front frame (1) [A].



5. Fold the front and rear frame (1,2) by pushing them inwards.
6. Insert the safety pin (23) into the front and rear frame (1,2) [B].



### 3.3 Transportation Wheels

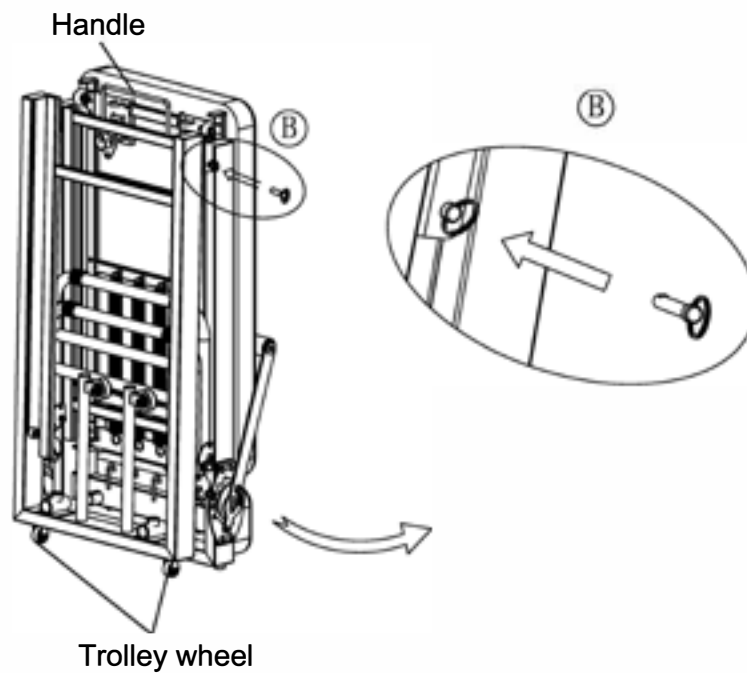
► **ATTENTION**

If you want to transport your equipment over particularly sensitive and soft floor coverings, such as parquet, planks or laminate, lay out the transport route with cardboard or similar to avoid possible floor damage.

⚠ **CAUTION**

Make sure that the safety pin is inserted to avoid injuries.

1. Stand behind the equipment, hold the handle and lift it until the weight is transferred to the transportation wheels. After that, you easily can move the equipment to a new position. For long transport distances the equipment should be disassembled and safely packed.
2. Select the new location by following the instructions in the section 1.4 of this manual.



## 4.1 General Instructions

When training, it is important to perform the exercises correctly in order to avoid injuries and achieve the desired training effect. Make sure you use the correct technique and train at an appropriate intensity level. Always consult an expert such as a trainer or doctor if you are unsure or have health problems. Always start your training with a low load and increase it evenly and gently.

End your training with a cool-down phase. If you have any questions or uncertainties, contact your doctor.

### 4.1.1 Training clothes

During training, wear appropriate sports clothing that is comfortable and breathable. Avoid clothing that restricts you or is uncomfortable. Make sure that your shoes are suitable and offer you sufficient support. In addition, always carry a towel with you to wipe away sweat and keep the equipment clean.

### 4.1.2 Warming up and stretching

It is important to warm up and stretch properly before training to avoid injury and improve performance. Stretching helps to loosen muscles and improve flexibility. Be sure to incorporate a short stretching routine before each workout.

#### Warm-up exercise:

1. Stand upright with your feet about shoulder-width apart.
2. Start with gentle arm circles by slowly moving your arms forwards in small circles in a controlled manner.
3. Perform arm circles backwards to loosen your shoulders and arms.
4. Do squats by slowly squatting down and then straightening up again. Make sure that your knees do not extend beyond your toes.



#### **CAUTION**

Do not exercise with sore muscles or take it easy on the affected muscles, as this can lead to injuries.

### 4.1.3 Medication

If you regularly take medication and want to exercise, it is important to be aware of possible side effects. Ask your doctor whether your medication affects your workout.

### 4.1.4 Used muscle groups

This training uses the following muscle groups:

- + Gluteal muscle
- + Leg muscles
- + Arm muscles
- + Pectoral muscles
- + Back muscles

Make sure you keep your back straight during training. Do not hunch over and do not arch your back. Do not fully extend your legs, but keep a slight bend in the backwards movement.

### 4.1.5 Exercise frequency

Regular exercise is crucial to making progress and staying healthy in the long term. Continuous exercise can strengthen muscles, improve endurance and enhance overall well-being. Remember that even small workouts can be done regularly to achieve long-term results.

#### **Training with heart rate orientation**

Heart rate orientation guarantees an extremely effective and healthy training. Through your age and the following table, you can quickly and easily read and determine the optimal pulse for your training. An acoustic alarm will sound if your heart rate exceeds the set target heart rate. Which target heart rate is important for which training goal can be found out in the following.

**Fat burning (weight management):** The main goal here is to burn deposits of fat. In order to achieve this training goal, a low training intensity (approximately 55% of the maximum heart rate) and a longer training period are required.

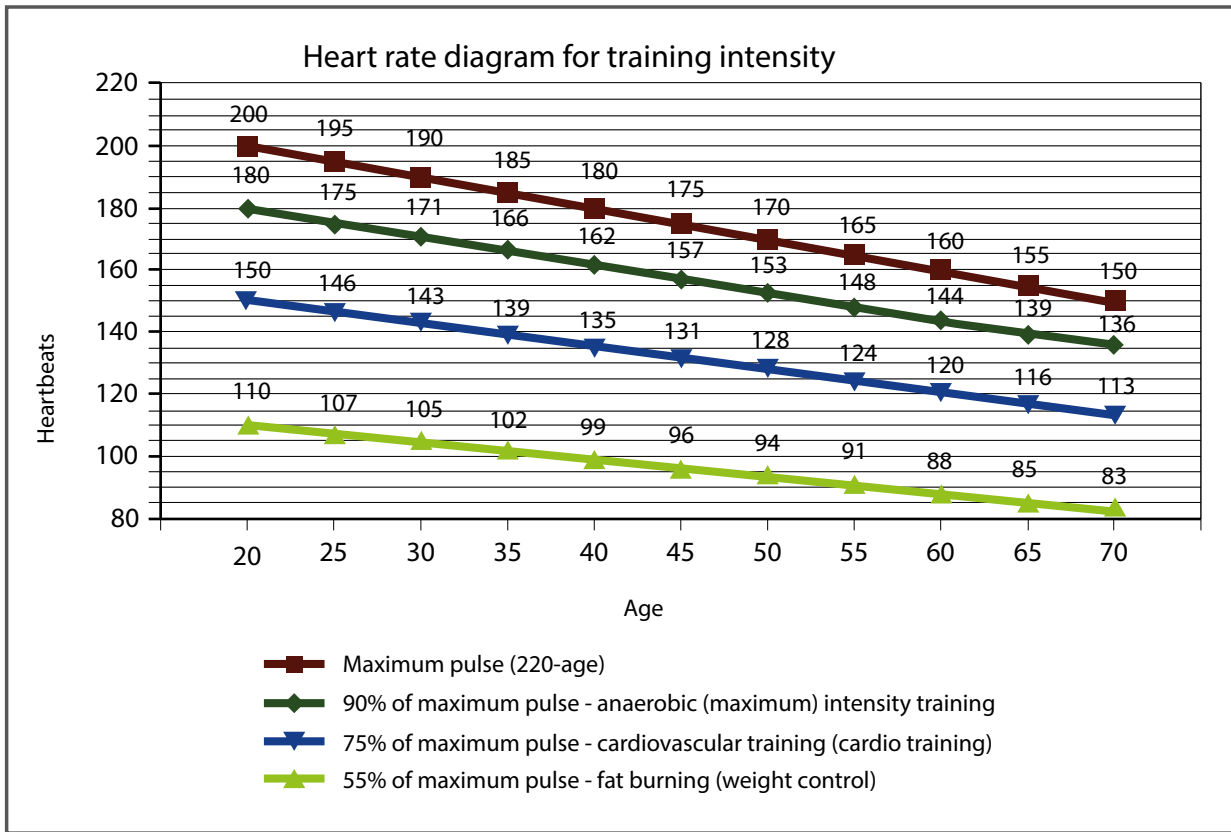
**Cardiovascular training (cardio training):** The primary goal is to increase stamina and fitness through an improved provision of oxygen through the cardiovascular system. In order to achieve this training goal, medium intensity (approximately 75% of the maximum heart rate) with a medium training period is required.

**Anaerobic (maximum) load training:** The main goal of maximum load training is to improve recovery after short, intense loads in order to be able to quickly return to the aerobic zone. In order to achieve this training goal, a high intensity (approximately 90% of the maximum heart rate) with short, intense load is required, which is followed by a recovery phase in order to prevent muscle fatigue.

**Example:**

For a 45-year-old man, the maximum heart rate is 175 ( $220 - 45 = 175$ ).

- + The fat burning target zone (55%) is at approximately 96 beats/min. =  $(220 - \text{age}) \times 0.55$ .
- + The cardio target zone (75%) is at approximately 131 beats/min. =  $(220 - \text{age}) \times 0.75$ .
- + The maximum heart rate for an anaerobic load training (90%) is at approximately 157 beats/min. =  $(220 - \text{age}) \times 0.9$ .





## 4.3 Exercises

These exercises are a few examples how you can train with your Pilates Reformer Compact.

### ► ATTENTION

Make sure to perform every exercise in a smooth and controlled movement to prevent the springs from recoiling in an uncontrolled manner as this can damage the springs.

### Correctly Getting On and Off

1. To get on, grip the handrail and step with your first foot on the equipment and then place your other foot onto the equipment.
2. To get off, grip the handrail and place one foot next to the equipment and then the other foot.



## 5.1 General Instructions



### WARNING

- + Do not make any improper changes to the equipment.



### CAUTION

- + Damaged or worn components may affect your safety and the life of the equipment. Therefore, immediately replace damaged or worn components. In such a case, contact the contract partner. The equipment must not be used until it has been repaired. If necessary, use only original spare parts.

### ▶ ATTENTION

- + In addition to the instructions and recommendations for maintenance and care given here, additional service and/or repair work may be necessary; this must only be carried out by authorised service technicians.

## 5.2 Faults and Fault Diagnosis

The equipment undergoes regular quality controls during production. Nevertheless, faults or malfunctions may occur. Frequently, individual parts are responsible for these disturbances, an exchange is usually sufficient. Please refer to the following overview for the most common errors and how to correct them. If the equipment still does not function properly, contact your contract partner.

Fault	Cause	Solution
Squeaking & cracking noises	Screw connections loosened or too tight	+ Check or lubricate screw connections*
Unit wobbles	+ Uneven ground + Loose screw connections	+ Align unit + Tighten screw connections

\* With a grease-free silicone oil or silicone spray.

### 5.3 Maintenance and Inspection Calendar

To avoid damage from body sweat, the equipment must be cleaned with a damp towel (no solvents!) after each training session.

The following routine tasks must be performed at the specified intervals:

Part	Weekly	Monthly	Quarterly
Screw connections		I	
Cushions	C		
Legend: C = clean; I = inspect			

## 6 DISPOSAL

At the end of its operational life, this equipment cannot be disposed of in normal household waste. Instead, it must be disposed of via an recycling centre. Further information can be obtained from your local authority's recycling service.



The materials can be recycled as per their symbols. Through the reuse, recycling of materials or other forms of recovery of old equipment, you make an important contribution to the protection of the environment.

## 7 RECOMMENDED ACCESSORIES

To make your training experience even more efficient and pleasant, we recommend that you add suiting accessories to your fitness equipment. For your reformer pilates machine this could for example be a **floor mat**, which makes your fitness equipment stand more securely and also protects the floor from sweat but it could be also a **pilates ring** or something similar.

Our range of accessories offers the highest quality and makes training even better. If you would like to find out more about compatible accessories, please go to the detail page of the product in our webshop (the easiest way is to enter the article number in the search field above) and go to the recommended accessories on this page. Alternatively, you can use the QR-code provided. Of course, you can also contact our customer service: by telephone, e-mail, in one of our branches or via our social media channels. We will be happy to advise you!



floor mat



pilates ring

## 8.1 Serial Number and Model Name

In order to provide you with the best possible service, please have the model name, article number, serial number, exploded drawing and parts list ready. The corresponding contact options can be found in chapter 10 of this operating manual.

**NOTICE**

The serial number of your equipment is unique. It's located on a white sticker.

Enter the serial number in the appropriate field.

**Serial number:**

**Brand / Category:**

**Model Name:**

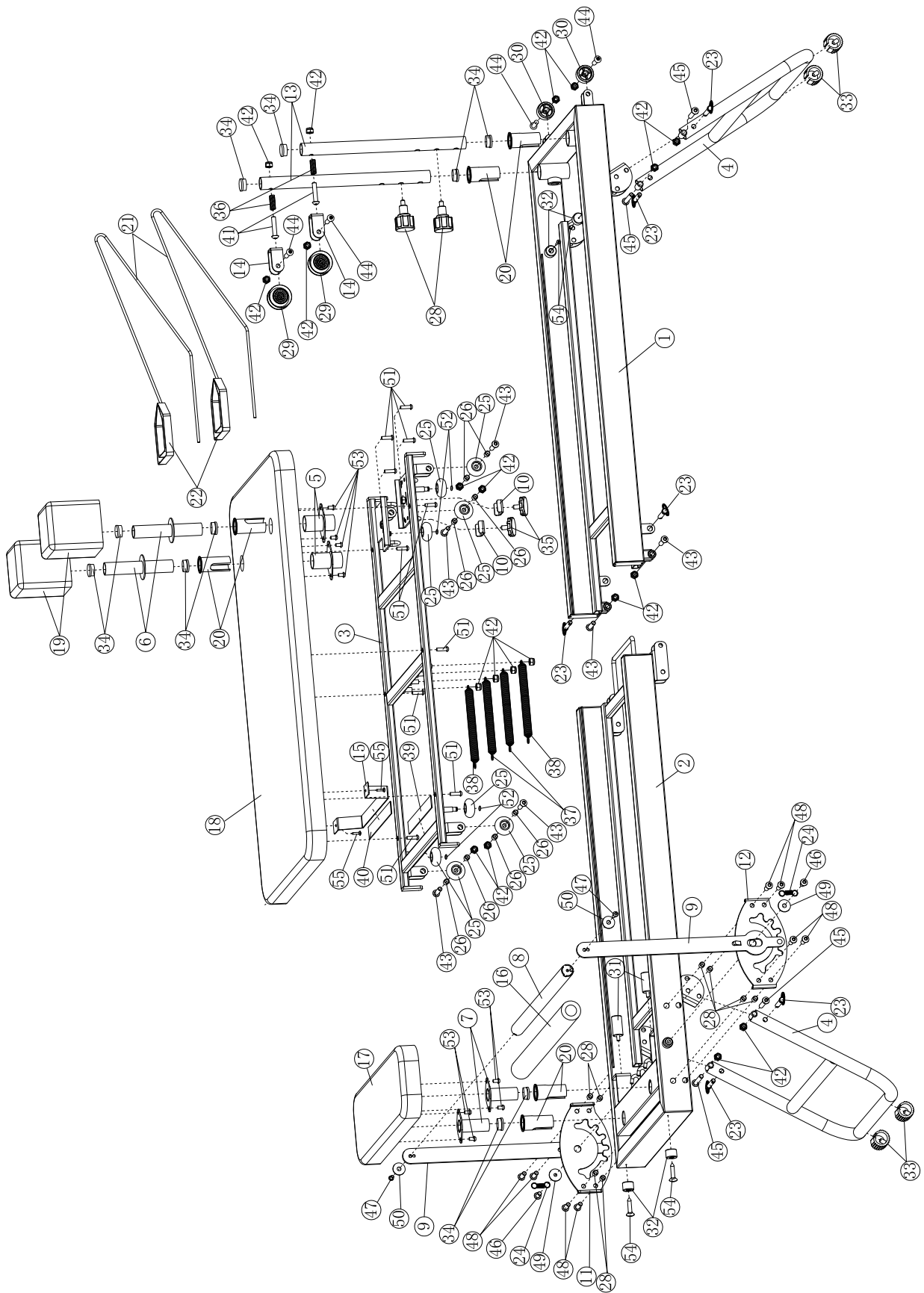
**Article Number:**

## 8.2 Parts List

No.	Name	Qty.
1	Front frame	1
2	Rear frame	1
3	Rear frame	1
4	Foot stabilizer	2
5	Shoulder pad fixing tube	2
6	Shoulder pad tube	2
7	Foot rest fixing tube	2
8	Handrail tube	1
9	Support plate	2
10	Pull rope plate	2
11	Left adjusting plate	1
12	Right adjusting plate	1
13	Pull rope adjusting tube	2
14	Pulley seat	2
15	Tension spring limit plate	1
16	Foam D40*528	1
17	Foot rest	1
18	Back cushion	1
19	Shoulder pad	2
20	Bushing	6
21	Pull rope	2
22	Webbing	2
23	Safety pin	6
24	Tension spring D8*38	2
25	Contact roller	8
26	Casing pipe D10*11	8
27	Casing pipe D10*8	8
28	Adjusting knob	2
29	Pull rope pulley	2
30	Trolley wheel	2
31	Spacing rubber	2

32	Spacing piece	4
33	Foot pad	4
34	End cap D25	10
35	Knob M8*15	2
36	Spring D11*43	2
37	Tension spring D26*380*2.0 yellow	2
38	Tension spring D26*380*2.3 red	2
39	EVA pad 300*20	1
40	EVA pad 262*25	1
41	Screw M8*65	2
42	Nut M8	20
43	Screw M8*40	6
44	Screw M8*35	4
45	Screw M8*45	4
46	Screw M8*20	2
47	Screw M6*20	2
48	Screw M8*30	8
49	Washer D25*D8*2	2
50	Washer D25*D6*2	2
51	Screw M6*25	10
52	C-ring D8	4
53	Screw M6*15	8
54	Screw ST4.2*19	4
55	Screw ST4.2*13	2

## 8.3 Exploded Drawing



Products from TAURUS® are subject to strict quality control. However, if a fitness equipment purchased from us does not work perfectly, we take it very seriously and ask you to contact our customer service as indicated. We are happy to help you by phone via our service hotline.

### **Error Descriptions**

Your fitness equipment is developed for long-term, high-quality training. However, should a problem arise, please first read the operating instructions. For further assistance, please contact your contract partner or call our service hotline. To ensure your problem is solved as quickly as possible, please describe the defect as exactly as possible.

In addition to the statutory warranty, we provide a warranty for every fitness equipment purchased from us according to the following provisions.

**Your statutory rights are not affected.**

### **Warrantee**

The warrantee is the first/original buyer and/or any person who received a newly purchased product as a gift from the original buyer.

### **Warranty period**

The warranty periods, shown on our web shop, begin on delivery of the fitness equipment. The respective warranty periods for your equipment can be found on its product website.

### **Repair Costs**

According to our choice, there will either be a repair, a replacement of individual damaged parts or a complete replacement. Spare parts, that have to be mounted while assembling the equipment, have to be replaced by the warrantee personally and are not a part of repair. After the expiration of the warranty period, the responsibility for parts costs, repair costs, installation costs and delivery costs lies with the warranty holder.

### **The terms of use are defined as follows:**

- + Home use: solely for private use in private households up to 3 hours per day
- + Semi-professional use: up to 6 hours per day (e. g. rehabilitation centres, hotels, clubs, company gyms)
- + Professional use: more than 6 hours per day (e. g. commercial gyms)

### **Warranty Service**

Within the warranty period, equipment which develops faults as a result of material or manufacturing defects, will be repaired or replaced at our discretion. Ownership of equipment or parts of equipment which have been replaced is transferred to us. The warranty period is not extended nor does a new warranty period begin following repair or replacement under the warranty.

## **Warranty Conditions**

For the warranty to be valid, the following steps must be taken:

Please contact our customer service by email or phone. If the product under warranty has to be sent in for repair, the seller bears costs. After expiry of the warranty, the buyer bears the costs of transport and insurance. If the fault is covered by our warranty, you will receive a new or repaired equipment in return.

### **Warranty claims are invalid in case of damage resulting from:**

- + misuse or improper handling
- + environmental influences (moisture, heat, electrical surge, dust, etc.)
- + failure to follow the current safety measures for the equipment
- + failure to follow the operating instructions
- + use of force (e. g. hitting, kicking, falling)
- + interventions which were not carried out by one of our authorized service centres
- + unauthorised repair attempts

### **Proof of Purchase and Serial Number**

Please make sure that you are able to provide the appropriate receipt when claiming on your warranty. So that we can clearly identify the model of your equipment, and for the purposes of our quality control, you will need to give the serial number of your equipment, when contacting the service team. Where possible please have your serial number and your customer number ready when you call our service hotline. It will help us to deal with your request swiftly.

If you cannot find the serial number on your fitness equipment, our service team is at your disposal to offer further information.

### **Service outside of the Warranty Period**

We are also happy to issue an individual cost estimate if there is a problem with your fitness equipment after the warranty has expired, or in cases which do not fall under the terms of the warranty, e. g. normal wear and tear. Please contact our customer service team to find a quick and cost-effective solution to your problem. In such a case you will be responsible for the delivery costs.

### **Communication**

Many problems can be solved just by speaking to us as your specialist supplier. We know how important it is to you as a user of the fitness equipment to have problems solved quickly and simply, so you can enjoy working out with minimal interruption. For that reason, we also want to resolve your queries quickly and in a straightforward manner. Thus, please always keep your customer number and the serial number of the faulty equipment handy.

## 10 CONTACT

DE	DK	EN
<p><b>TECHNIK</b></p> <p>☎ +49 4621 4210-900            📠 +49 4621 4210-698            ✉ technik@fitshop.de            🕒 Öffnungszeiten entnehmen Sie unserer Homepage.</p> <p><b>SERVICE</b></p> <p>☎ 0800 20 20277 (kostenlos)            ☎ 04621 4210 - 0            ✉ info@fitshop.de            🕒 Öffnungszeiten entnehmen Sie unserer Homepage:  <a href="https://stg.fit/statit4">https://stg.fit/statit4</a></p>	<p><b>TEKNIK OG SERVICE</b></p> <p>☎ 80 90 16 50            +49 4621 4210-945            ✉ info@fitshop.dk            🕒 Åbningstider kan findes på hjemmesiden:  <a href="https://stg.fit/statit7">https://stg.fit/statit7</a></p>	<p><b>CUSTOMER SUPPORT</b></p> <p>☎ 00800 2020 2772            +494621 4210 944            ✉ service@fitshop.com            🕒 You can find the opening hours on our homepage:  <a href="https://fsg.fit/en">https://fsg.fit/en</a></p>
	FR	BE
	<p><b>TECHNIQUE &amp; SERVICE</b></p> <p>☎ +33 (0) 189 530984            +49 4621 42 10 933            ✉ info@fitshop.fr            🕒 Vous trouverez les heures d'ouverture sur notre site Internet:  <a href="https://stg.fit/statit4">https://stg.fit/statit4</a></p>	<p><b>TECHNIQUE &amp; SERVICE</b></p> <p>☎ 02 732 46 77            +49 4621 4210 933            ✉ info@fitshop.be            🕒 Vous trouverez les heures d'ouverture sur notre site Internet:  <a href="https://stg.fit/statit8">https://stg.fit/statit8</a></p>
ES	NL	INT
<p><b>TECNOLOGÍA Y SERVICIOS</b></p> <p>☎ 911 238 029            ✉ info@fitshop.es            🕒 Consulta nuestro horario de apertura en la página web:  <a href="https://stg.fit/statit5">https://stg.fit/statit5</a></p>	<p><b>TECHNISCHE DIENST &amp; SERVICE</b></p> <p>☎ +31 172 619961            ✉ service@fitshop.nl            🕒 De openingstijden vindt u op onze homepage:  <a href="https://stg.fit/statit3">https://stg.fit/statit3</a></p>	<p><b>TECHNICAL SUPPORT &amp; SERVICE</b></p> <p>☎ +49 4621 4210-944            ✉ service-int@fitshop.de            🕒 You can find the opening hours on our homepage:  <a href="https://stg.fit/statit4">https://stg.fit/statit4</a></p>
PL	AT	CH
<p><b>DZIAŁ TECHNICZNY I SERWIS</b></p> <p>☎ 22 307 43 21            +49 4621 42 10-948            ✉ info@fitshop.pl            🕒 Godziny otwarcia można znaleźć na stronie głównej:  <a href="https://stg.fit/statit6">https://stg.fit/statit6</a></p>	<p><b>TECHNIK &amp; SERVICE</b></p> <p>☎ 0800 20 20277 (Freecall)            +49 4621 42 10-0            ✉ info@fitshop.at            🕒 Öffnungszeiten entnehmen Sie unserer Homepage:  <a href="https://stg.fit/statitb">https://stg.fit/statitb</a></p>	<p><b>TECHNIK &amp; SERVICE</b></p> <p>☎ 0800 202 027            +49 4621 42 10-0            ✉ info@fitshop.ch            🕒 Öffnungszeiten entnehmen Sie unserer Homepage:  <a href="https://stg.fit/statit9">https://stg.fit/statit9</a></p>

Please find a detailed overview including address and opening hours for all stores of the Fitshop Group in Germany and abroad on the following website:

[www.fitshop.com/en/stores](http://www.fitshop.com/en/stores)

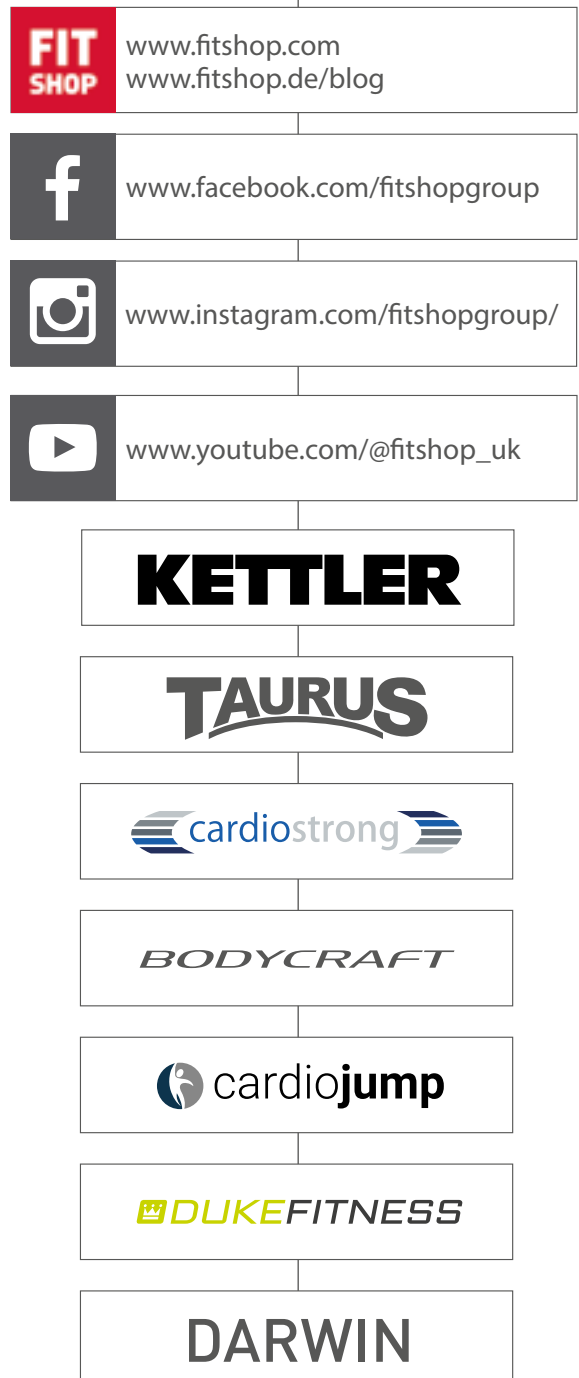
# WE LIVE FITNESS

## WEBSHOP AND SOCIAL MEDIA

Fitshop is Europe's largest specialist store for home fitness equipment with currently over 65 stores and one of the world's most renowned online mail order companies for fitness equipment. Private customers order via the 25 web shops in the respective national language or have their desired equipment assembled on site. In addition, the company supplies fitness studios, hotels, sports clubs, companies and physio practices with professional equipment for endurance and strength training.

Fitshop offers a wide range of fitness equipment from renowned manufacturers, high-quality in-house developments and comprehensive services, such as a build-up service and sports scientific advice before and after the purchase. The company employs numerous sports scientists, fitness trainers and competitive athletes.

Visit us also on our social media platforms or our blog!





# **TAURUS<sup>®</sup>**

**Pilates Reformer Compact**