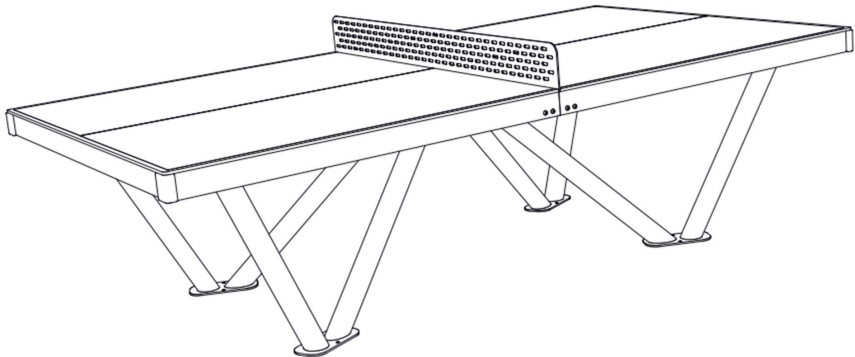
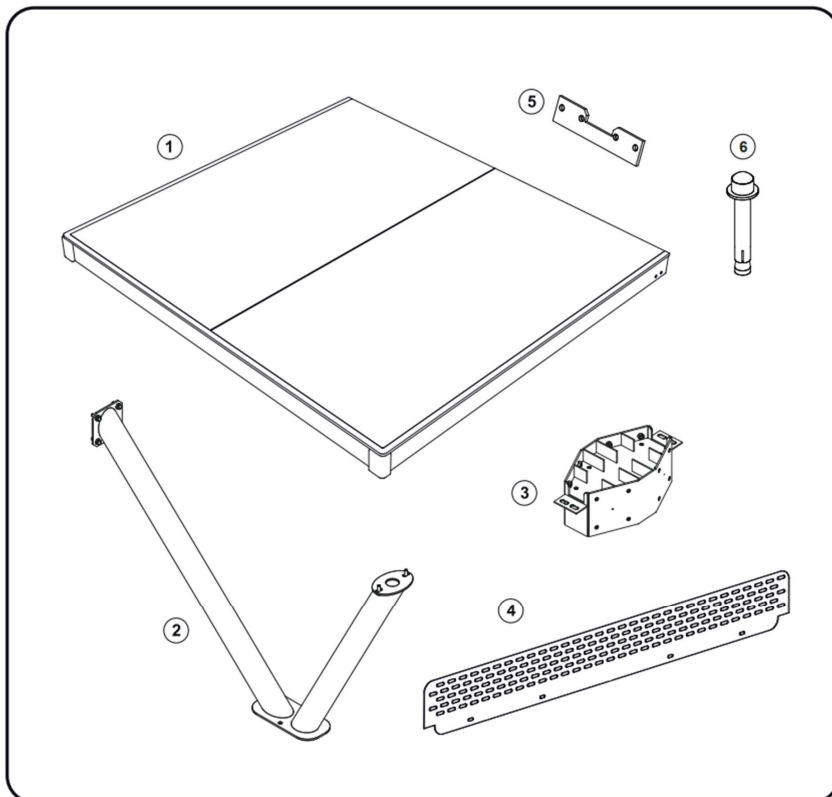




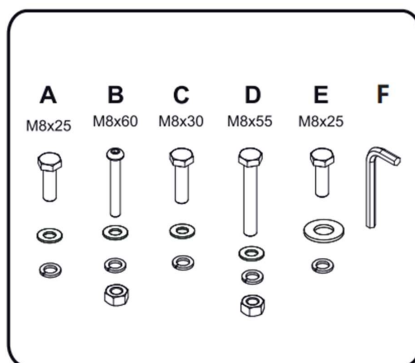
7000 W

ASSEMBLY INSTRUCTIONS



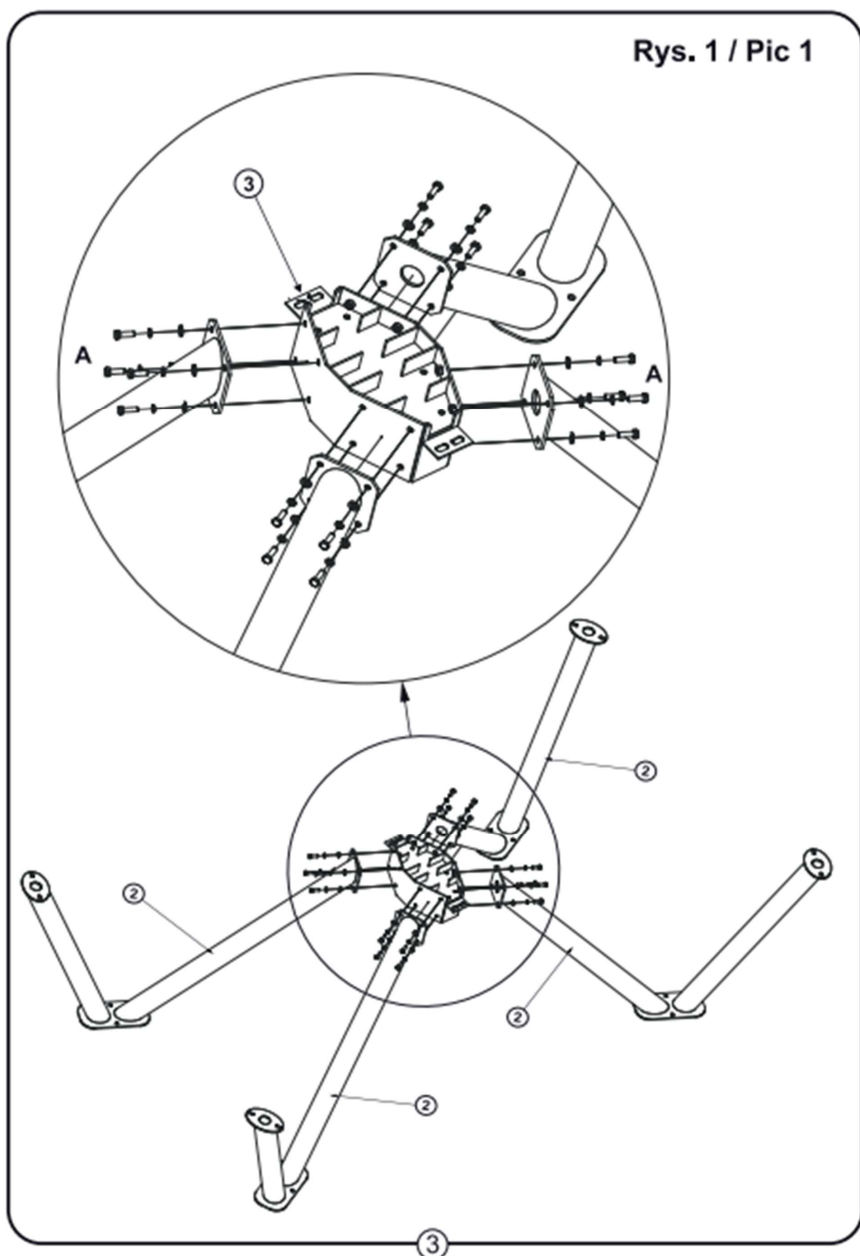


n°	PCS	PARTS
1	2	TOP PLATE
2	4	LEG
3	1	CONNECTOR
4	1	STEEL NET
5	2	PLATE
6	4	ANCHOR WITH A PLUG
A/E	24	SCREW M8x25
B	8	ALLEN SCREW M8x60
C	4	SCREW M8x30
D	4	SCREW M8x55
B/D	12	NUT M8
A/B/C/D/E	40	SPRING WASHER
A/B/C/D	32	WASHER
E	8	WASHER
F	1	ALLEN KEY

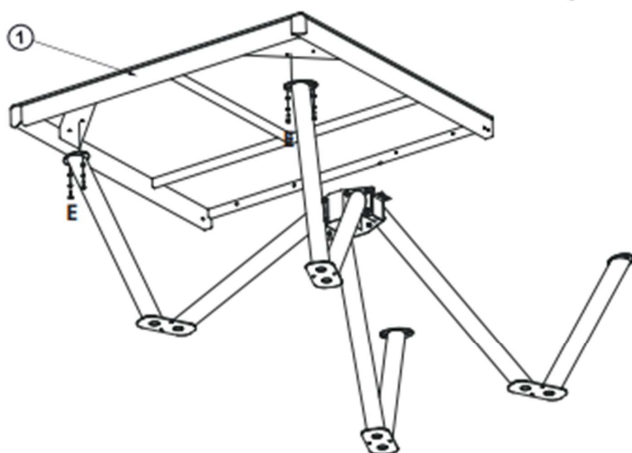


②

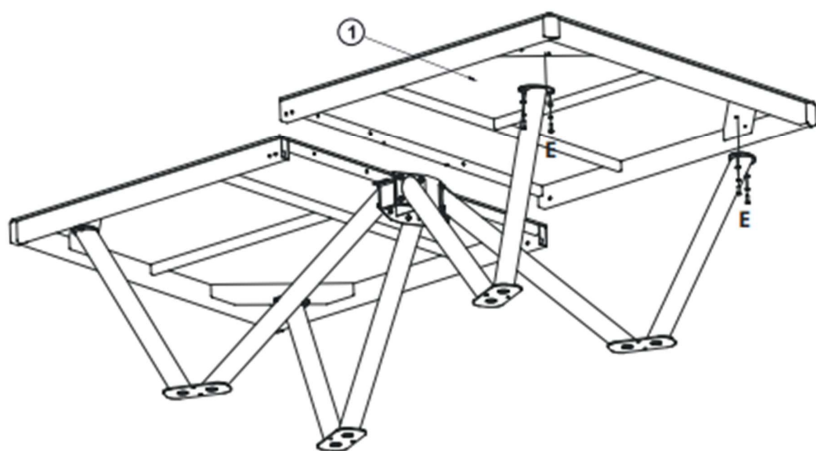
Rys. 1 / Pic 1



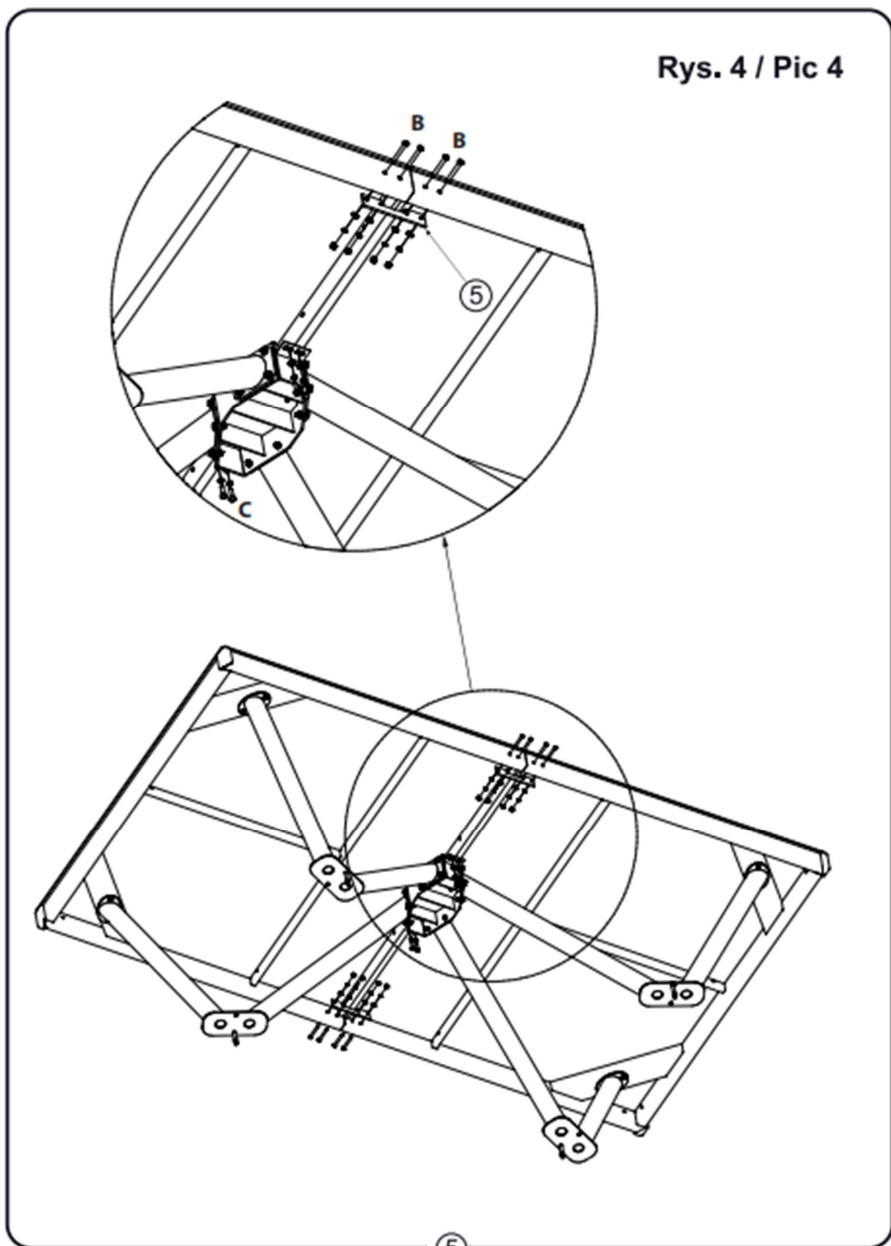
Rys. 2 / Pic 2



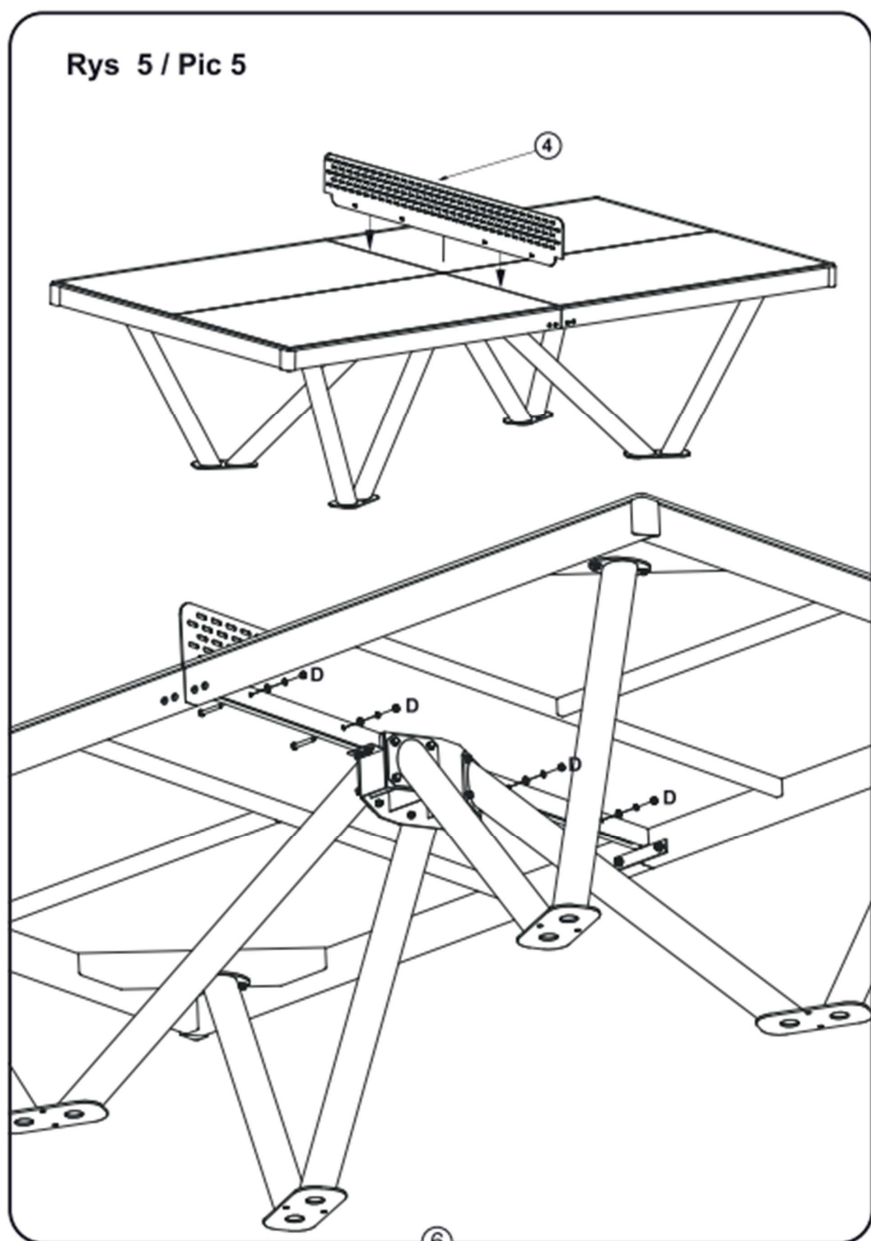
Rys. 3 / Pic 3



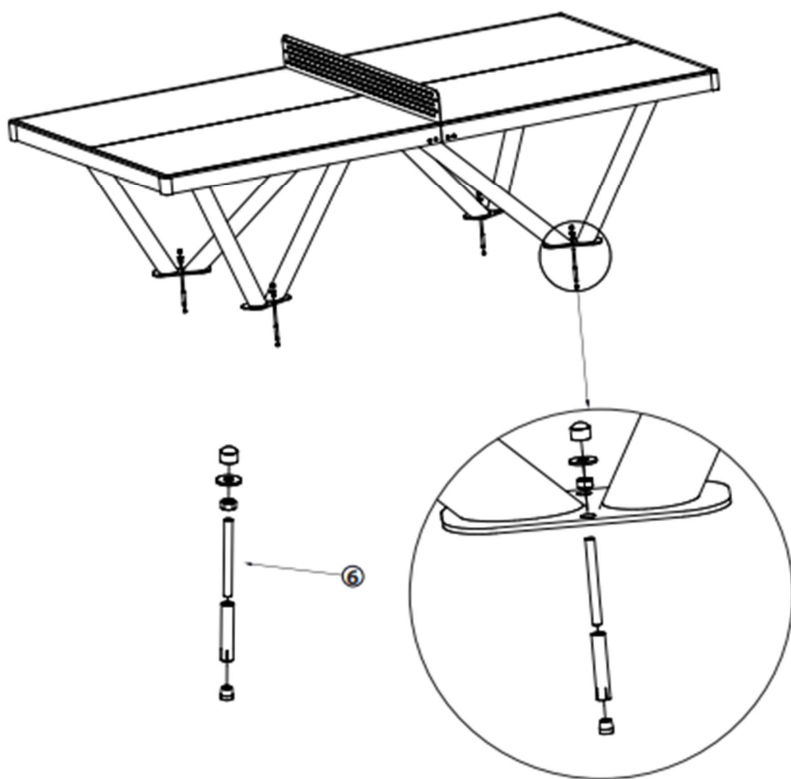
Rys. 4 / Pic 4



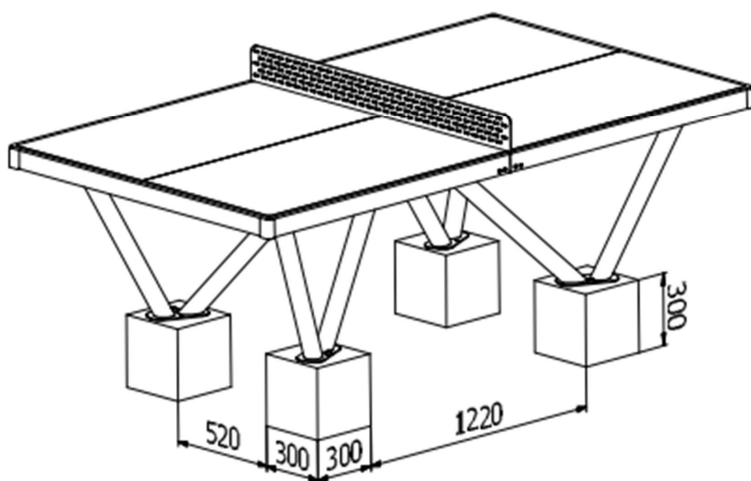
Rys 5 / Pic 5



Rys 6 / Pic 6



Rys 7 / Pic 7



TIBHAR 
Tibor Harangozo GmbH
Fenner Str. 62a
66127 Saarbrücken
Germany

www.tibhar.com